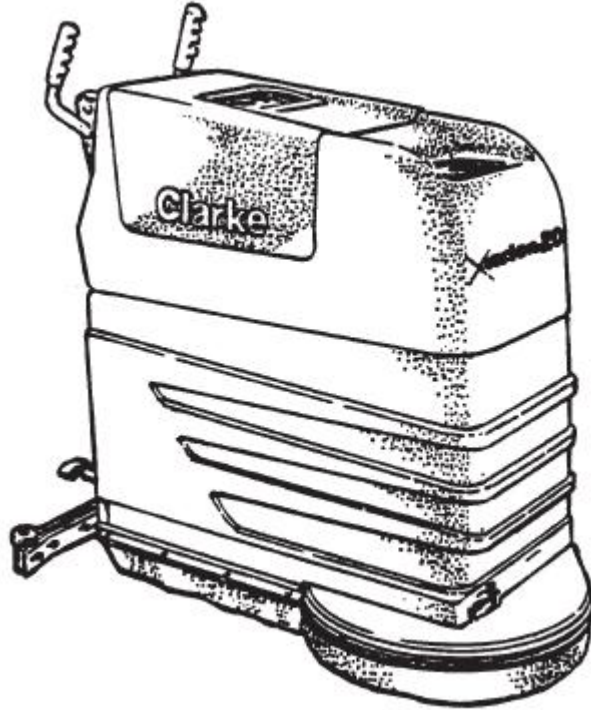


Vision 20 B/BT

Model:
Vision 20 B/BT



Part List US-English

24-02-2015

Table of Contents

Vision 20 B/BT

Accessories	3
Final assembly B	5
Final assembly BT	8
Non traverse 20 B	11
Traverse 20 BT	13
Brush lift	15
Frame assembly	17
Brush Motor	19
Panel assembly 20 B	21
Panel assembly 20 BT	23
Squeegee Assembly	25
Solution tank	27
Recovery tank	29
Support assembly 20 BT	31
Support assembly 20 B	33
Vacuum motor	35
Motor Traverse	37
Battery charger	39
Gearbox	41
Brush motor	43

Accessories

Vision 20 B/BT

24-02-2015

Part List ID
VISION20

3

ACCESSORIES

<u>Description</u>	<u>Part No.</u>
PadDriver	53136B
Face, Pad	53988A
Base	57370A
Retainer	57369A
Pad/Brush Clutch Plate	66649A
Clutch Plate Screws	962819
Grit Brush	51465B
Nylon Brush .028 Dia.	51467B
Poly Brush	51468B
Clean Grit	51474B
Nylon Brush .016	51482A
Mal Grit Lite	51484A

Pads by Case

<u>Color</u>	<u>2000</u>
Yellow	979199
White	976067
Red	976068
Green	976169
Blue	976069
Brown	976070
Black	976170
Ultra H.S.	979206

Accessories

Vision 20 B/BT

24-02-2015

Part List ID
VISION20

4

Pos	Part no.	Qty	Description
1	53136B	1	DRIVER PAD 20 VISION 20
3	57370A	1	RETAINER PAD-TOP HALF ONLY
4	57369A	1	RETAINER PAD BOT HALF ONLY
5	66649A	1	PLATE-BRUSH DRIVE C.W METAL
6	962819	1	SCR 1/4 20 X 1 1/4 PHILLIPS
7	51465B	1	BRUSH20GRIT VISION 20
8	51482A	1	BRUSH 20 NYLON VISION 20 Replaces 51474B
9	51468B	1	BRUSH 20 POLYPROPYLENE VISIO
10	51474B	1	BRUSH20CLEAN GRIT VISION 2
11	51482A	1	BRUSH 20 NYLON VISION 20
20	979199	1	PADS CASE 20 YELLOW HS CLARKE
21	976067	1	PAD-WHITE-20-5/CS
22	10001959	1	PAD 20 508MM ECO RED 5PCS
24	976069	1	PAD-BLUE-20-5/CS
25	10001957	1	PAD 20 508MM ECO BROWN 5PCS
26	976170	1	PAD-BLACK-20-5/CS

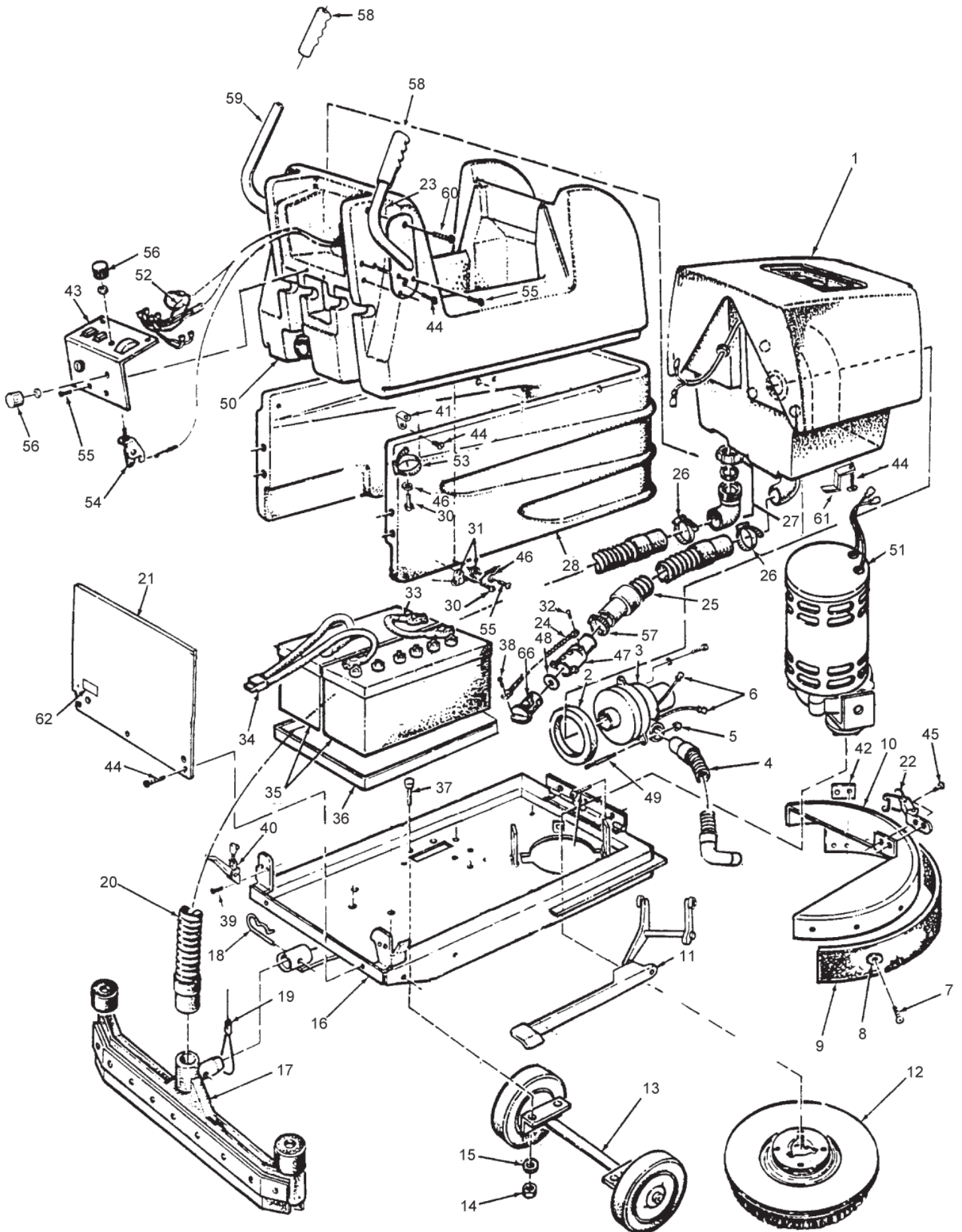
Final assembly B

Vision 20 B/BT

24-02-2015

Part List ID
VISION2001

5



Final assembly B

Vision 20 B/BT

24-02-2015

Part List ID
VISION2001

6

Pos	Part no.	Qty	Description
2	643418	1	GASKET
3	56412218	1	MOTOR VAC 24VDC
4	30448A	1	HOSEVACEXHAUST
5	81104A	3	NUT 1/4 20 ESNA TYPE SS
6	47905A	2	TERMINAL1/4 FIMQD 16 14 GA.
7	85521A	7	SCREW10-24 X 1/2 PAN HD SS
8	66946A	5	RETAINERSHROUD ADJPNTD 2000
9	38216B	1	SKIRTSHROUD BUMPER 2000 II V
10	18421A	1	SHROUDFRAME VISION 20
14	920110	4	NUT LK 5/16-18 REGPLTD
15	87027A	4	WASHER2000 PV
18	66515A	1	PIN-LOCKINGSQUEEGEE
19	61648A	1	CABLESQUEEGEE LIFT2000 II
20	30408B	1	HOSE SQUEEGEE VISION 17/20
22	682006	3	CLAMP ASSY LID 53
24	52206A	1	CHAIN COVER AUTOSCRUBER
25	30415A	1	HOSE RECOVERY DRAIN VISION 2
26	752020	2	CLAMP 450 SHAMPOOER VAC
27	53630A	1	ELBOWRECOVERY ADAPTOR 1700
29	85391A	3	SCR 1/4 20X 5/8 PN SY
30	962981	3	SCREW 10-00X5/8 PN ST TP A PH
31	832102	2	CLIP-CABLE
32	962958	1	SCREW 8-18 X 1/2 PN
33	842406	1	CABLE-SERIES
34	41205B	1	CABLE ASM BATTERY WITH + COV
37	84239A	4	SCREWS5/16 18 X 1 FLAT HD SS
38	962987	1	SCR 10 24X 3/8 PN ST TYP23
39	85509A	4	SCREW 6-32 X 1/4 PAN HEAD
40	755161	2	LATCH
41	61244A	2	BRKT. TANK PAINTED 1700B E I
42	66947A	1	RETAINERSHROUD STRAP PLTD 2
44	85395A	13	SCREW 1/4 20 X 1/2 PAN HD SS
45	962333	2	SCREW 10-32 X 1/4 PN ST PH
46	87026A	2	WASHER .250 FLAT SS
47	839401	1	VALVE-DRAIN
48	833407	1	GASKET-DRAIN
49	58533A	3	SPACER VAC MOTOR 3 STG. SUMMI
53	51828A	1	STRAP HOSE 5.00 LEADERS
54	61647A	1	CABLESOLUTION2000II
55	84237A	6	SCREW 10-32 X 1/2 PAN HD SS
56	55502A	1	KNOB-SPEED CONTROL+TEMP CONTRL
57	832002	1	CLAMP NYLON HOSE
58	54504A	2	GRIP LEFT HAND VISION 20

Final assembly B

Vision 20 B/BT

24-02-2015

Part List ID
VISION2001

7

Pos	Part no.	Qty	Description
60	84238A	2	SCREW5/16-18 X 3/4 FLAT HD SS
61	63040A	2	BRACKET RECOVERY PNTD. VISI

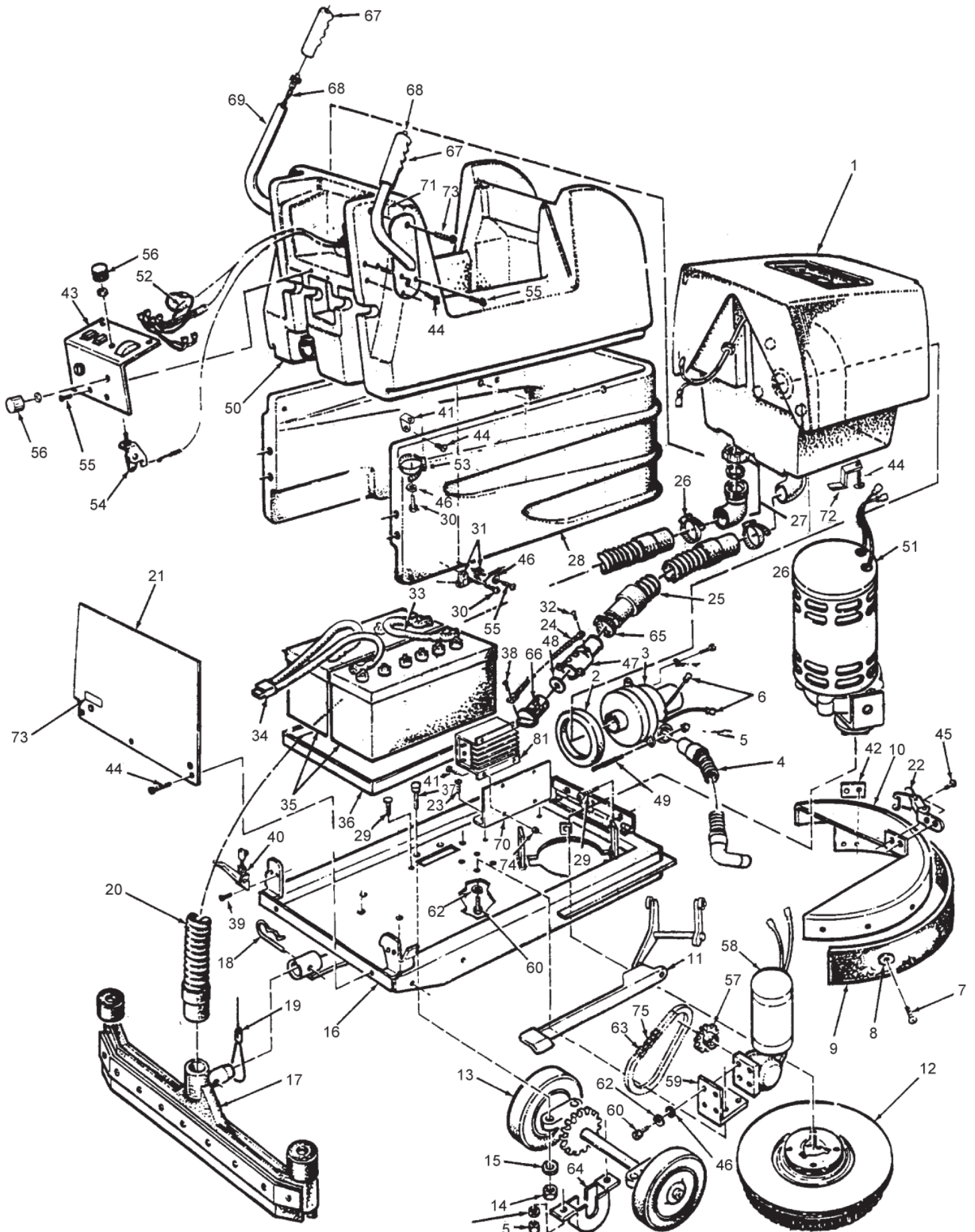
Final assembly BT

Vision 20 B/BT

24-02-2015

Part List ID
VISION2002

8



Final assembly BT

Vision 20 B/BT

24-02-2015

Part List ID
VISION2002

9

Pos	Part no.	Qty	Description
0	47200A	1	SUPPRESSOR 24V BIDIRECTIONAL
0	47708A	2	TERMINAL 1/4 FIMQD 22-18 GA.
0	52205A	1	CHAINDRIVESS2000BT
2	643418	1	GASKET
3	56412218	1	MOTOR VAC 24VDC
4	30448A	1	HOSEVACEXHAUST
5	81104A	5	NUT 1/4 20 ESNA TYPE SS
6	47905A	4	TERMINAL1/4 FIMQD 16 14 GA.
7	85521A	11	SCREW10-24 X 1/2 PAN HD SS
8	66946A	5	RETAINERSHROUD ADJPNTD 2000
9	38216B	1	SKIRTSHROUD BUMPER 2000 II V
10	18421A	1	SHROUDFRAME VISION 20
14	920110	4	NUT LK 5/16-18 REGPLTD
15	87027A	4	WASHER2000 PV
18	66515A	1	PIN-LOCKINGSQUEEGEE
19	61663A	1	CABLE SQUEEGEE LIFT VISION 17
20	30408B	1	HOSE SQUEEGEE VISION 17/20
22	682006	1	CLAMP ASSY LID 53
23	85519A	2	SCR 1/4 20X 3/8 PN SY TC F
24	52206A	1	CHAIN COVER AUTOSCRUBER
25	30415A	1	HOSE RECOVERY DRAIN VISION 2
26	752020	2	CLAMP 450 SHAMPOOER VAC
27	53630A	1	ELBOWRECOVERY ADAPTOR 1700
30	962981	2	SCREW 10-00X5/8 PN ST TP A PH
31	832102	2	CLIP-CABLE
32	962958	1	SCREW 8-18 X 1/2 PN
33	842406	1	CABLE-SERIES
34	41205B	1	CABLE ASM BATTERY WITH + COV
37	84239A	6	SCREWS5/16 18 X 1 FLAT HD SS
38	962987	1	SCR 10 24X 3/8 PN ST TYP23
39	85509A	4	SCREW 6-32 X 1/4 PAN HEAD
40	755161	2	LATCH
41	61244A	5	BRKT. TANK PAINTED 1700B E I
42	66947A	1	RETAINERSHROUD STRAP PLTD 2
44	85395A	13	SCREW 1/4 20 X 1/2 PAN HD SS
45	962333	2	SCREW 10-32 X 1/4 PN ST PH
46	87026A	11	WASHER .250 FLAT SS
47	839401	1	VALVE-DRAIN
48	833407	1	GASKET-DRAIN
49	58533A	3	SPACER VAC MOTOR 3 STG. SUMMI
53	51828A	1	STRAP HOSE 5.00 LEADERS
54	61647A	1	CABLESOLUTION2000II
55	84237A	7	SCREW 10-32 X 1/2 PAN HD SS

Final assembly BT

Vision 20 B/BT

24-02-2015

Part List ID
VISION2002

10

Pos	Part no.	Qty	Description
56	55502A	2	KNOB-SPEED CONTROL+TEMP CONTRL
57	58710A	1	SPROCKET DRIVE VISION 20
58	45035D	1	MOTOR TRAVERSE 24V VIS 20BT
60	85391A	8	SCR 1/4 20X 5/8 PN SY
61	41144D	1	CONTROL MOTOR SOLID STATE
62	980657	8	WASHER LOCK 1/4 STD
63	52207A	1	CHAIN DRIVE NICKLE PLATED 1700
64	32358B	1	COVER SPROCKET VIS 20BT
65	832002	1	CLAMP NYLON HOSE
66	833901	1	HANDLE-DRAIN VALVE
67	54505A	2	GRIP RIGHT HAND VISION 20
68	53055A	2	SWITCH TRAVERSE VISION 20
72	63040A	2	BRACKET RECOVERY PNTD. VISI
74	81110A	4	NUT HEX ELASTIC LOCK 10-24 S.S
75	895101	1	CONNECTING LINK 35CHAIN

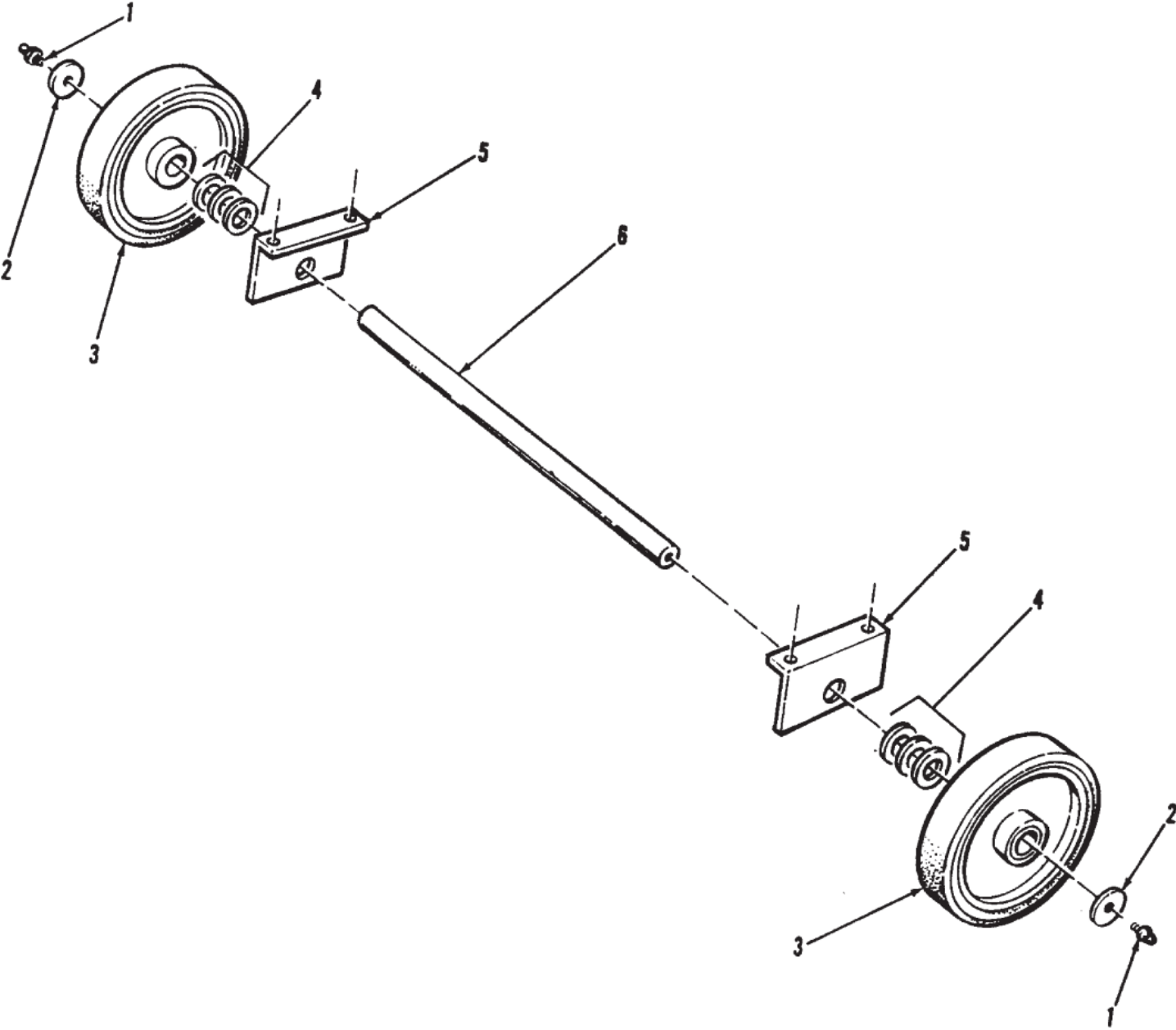
Non traverse 20 B

Vision 20 B/BT

24-02-2015

Part List ID
VISION2003

11



Non traverse 20 B

Vision 20 B/BT

24-02-2015

Part List ID
VISION2003

12

Pos	Part no.	Qty	Description
1	54014A	2	FITTING GREASE 1/4 28 SAE L
2	87039A	2	WASHER FENDER 1/4 S.S.
4	87613A	4	WASHERFLT1.22X.64X.10 NYLON
5	68269A	2	SUPPORTAXLEPNTD2000 II
6	60195A	1	AXLE VISION 20

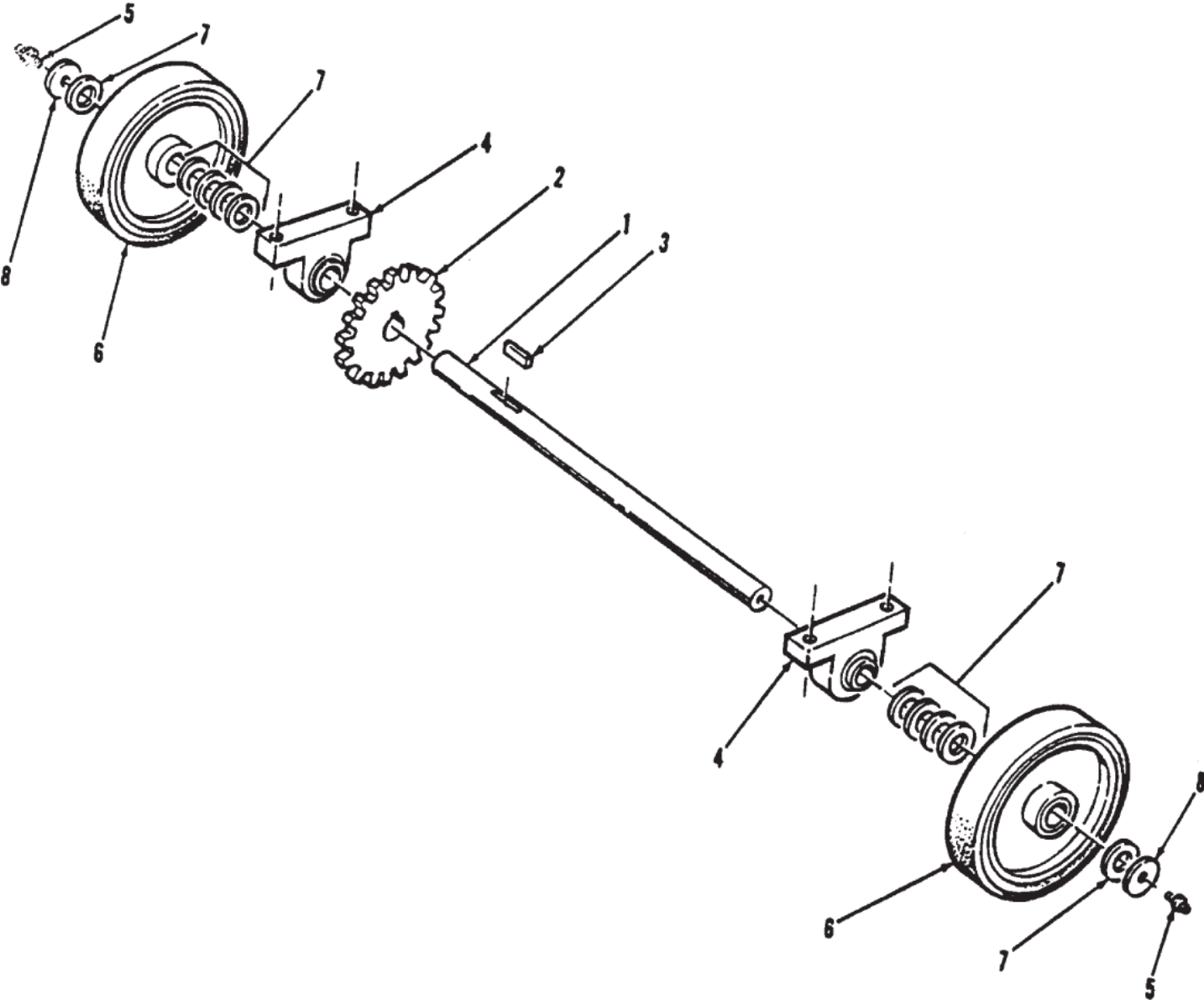
Traverse 20 BT

Vision 20 B/BT

24-02-2015

Part List ID
VISION2004

13



Traverse 20 BT

Vision 20 B/BT

24-02-2015

Part List ID
VISION2004

14

Pos	Part no.	Qty	Description
2	58712A	1	SPROCKET 32T VIS 17 BT II
3	915044	1	KEY 3/16 X 3/16 X 1
4	51193A	2	BEARING PILLOW BLOCK VIS 20BT
5	54014A	2	FITTING GREASE 1/4 28 SAE L
6	59959A	2	WHEEL6DIA W/CLUTCH GROOVES
7	87616A	11	WASHER FLT 1.00X.75X.06 NYLON
8	87039A	2	WASHER FENDER 1/4 S.S.

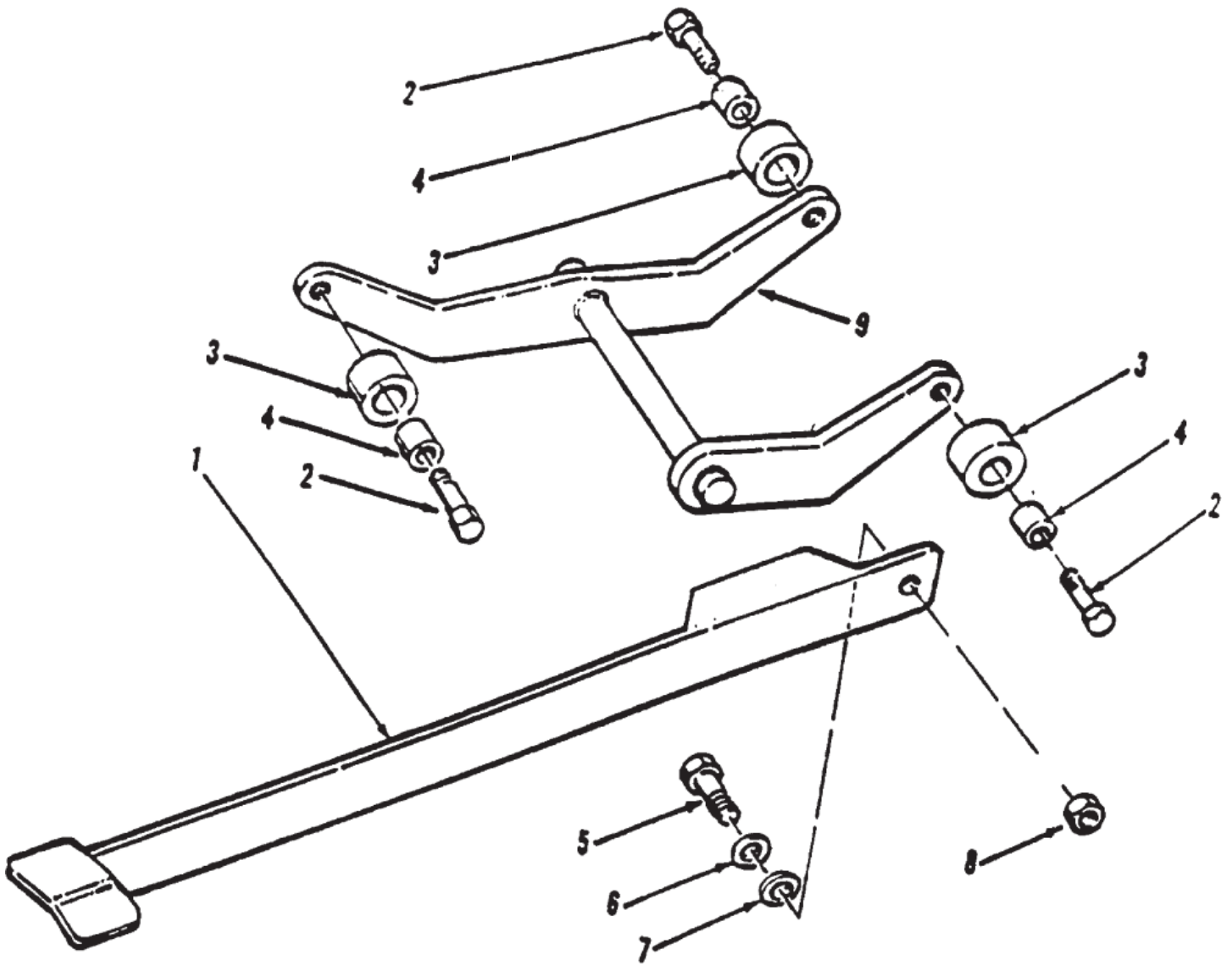
Brush lift

Vision 20 B/BT

24-02-2015

Part List ID
VISION2005

15



Brush lift

Vision 20 B/BT

24-02-2015

Part List ID
VISION2005

16

Pos	Part no.	Qty	Description
1	68749A	1	WELDMENT PEDAL 2000 II PNTD
2	85391A	3	SCR 1/4 20X 5/8 PN SY
3	51516A	3	BUSHING TOP 2000 PV
4	608210	3	SPACER-HANDLE BOLT
5	960952	1	BOLT SHOULDER 3/8 X 3/8
7	980680	1	WASHER SPRING 13/32 X 11/16
8	920110	1	NUT LK 5/16-18 REGPLTD

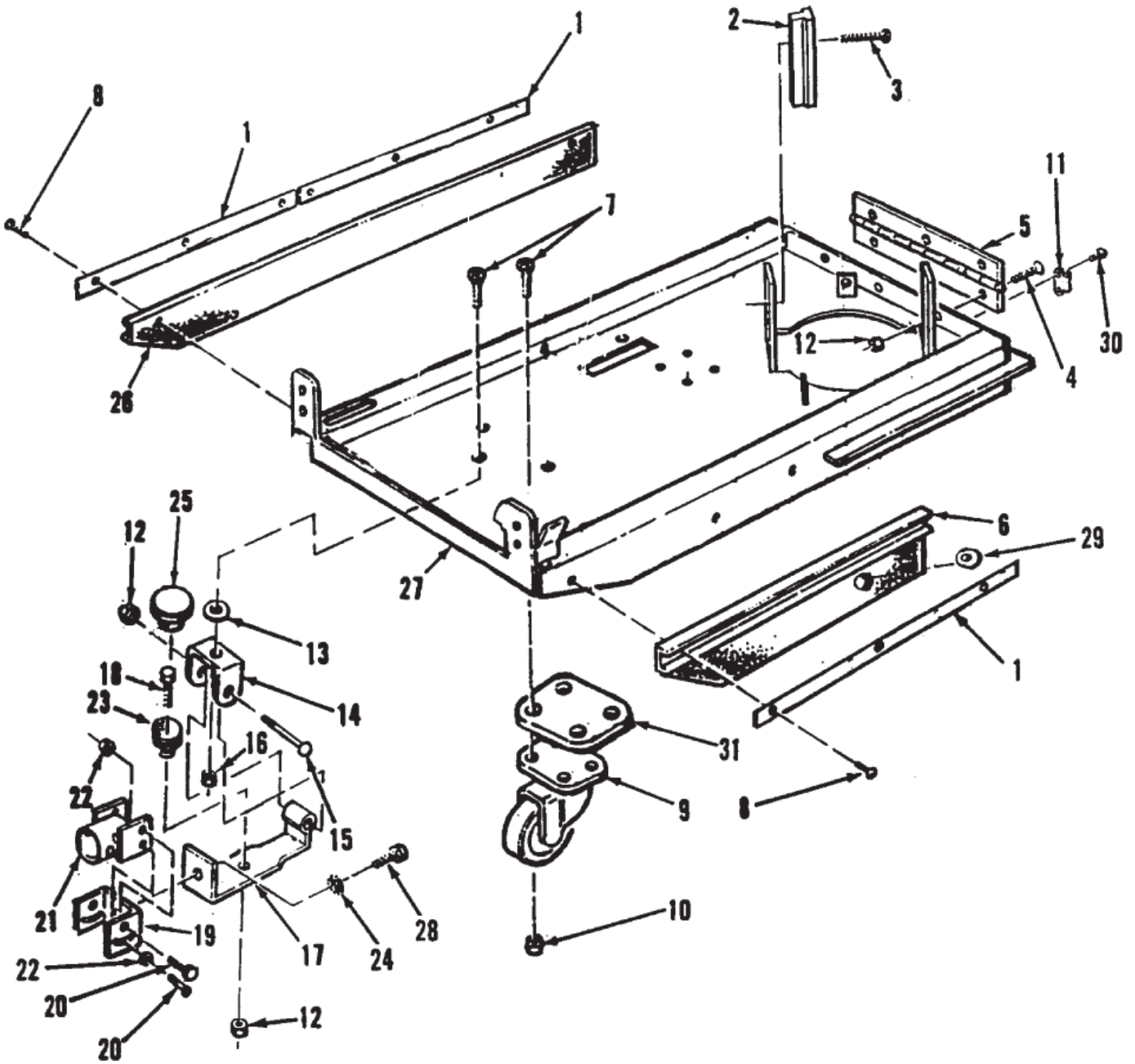
Frame assembly

Vision 20 B/BT

24-02-2015

Part List ID
VISION2006

17



Frame assembly

Vision 20 B/BT

24-02-2015

Part List ID
VISION2006

18

Pos	Part no.	Qty	Description
1	66962A	3	RETAINER SKIRTPLTD VISION 2
2	38009A	2	SLIDEMOTOR LIFT 1700
3	84233A	7	SCREW 1/4-20 X 3/4 FH SY PH
4	85395A	3	SCREW 1/4 20 X 1/2 PAN HD SS
6	31229A	1	SKIRT RIGHT HAND VISION 20
7	84238A	9	SCREW5/16-18 X 3/4 FLAT HD SS
8	85397A	10	SCREW 10 24 X 3/8 PAN HD SS
9	52118B	2	CASTERSWIVEL 2 1/2 2000 II
10	920110	8	NUT LK 5/16-18 REGPLTD
11	608537	1	STRIKE-HOUSING CLAMP
12	81104A	5	NUT 1/4 20 ESNA TYPE SS
13	87027A	1	WASHER2000 PV
14	61252A	1	BRACKET SQUEEGEE SWIVEL
15	85396A	1	SCREW 1/4-20 X 2 PAN HD SS
16	67867A	1	SPACER SQUEEGEE SWIVEL 1700 I
17	68730B	1	ARM WLDMT. SQUEEGEE PLATED
18	85518A	1	SCR 1/4 20X 3/4 PN SY TC F
19	69028A	1	SWIVEL SQUEEGEE VISION 17/20
20	170915	4	SCREW 1/4-20 X 3/4 HX HDSS
21	60698A	1	BRACKET SQUEEGEE VISION 17/2
22	87026A	2	WASHER .250 FLAT SS
23	58612A	1	SPRING-COMPRESSION EXT-771
24	87614A	1	WASHER LOCK INTERNAL EXTERNA
25	30517A	1	BUSHING SQUEEGEE 1700B+E II
26	31228A	1	SKIRT LEFT HAND VISION 20
28	85822A	1	SCREW 3/8-16 X 7/8 HX CAP G5
29	66946A	1	RETAINERSHROUD ADJPNTD 2000
30	85509A	2	SCREW 6-32 X 1/4 PAN HEAD
30	962981	1	SCREW 10-00X5/8 PN ST TP A PH
32	962958	1	SCREW 8-18 X 1/2 PN
38	962987	1	SCR 10 24X 3/8 PN ST TYP23
62	980657	1	WASHER LOCK 1/4 STD

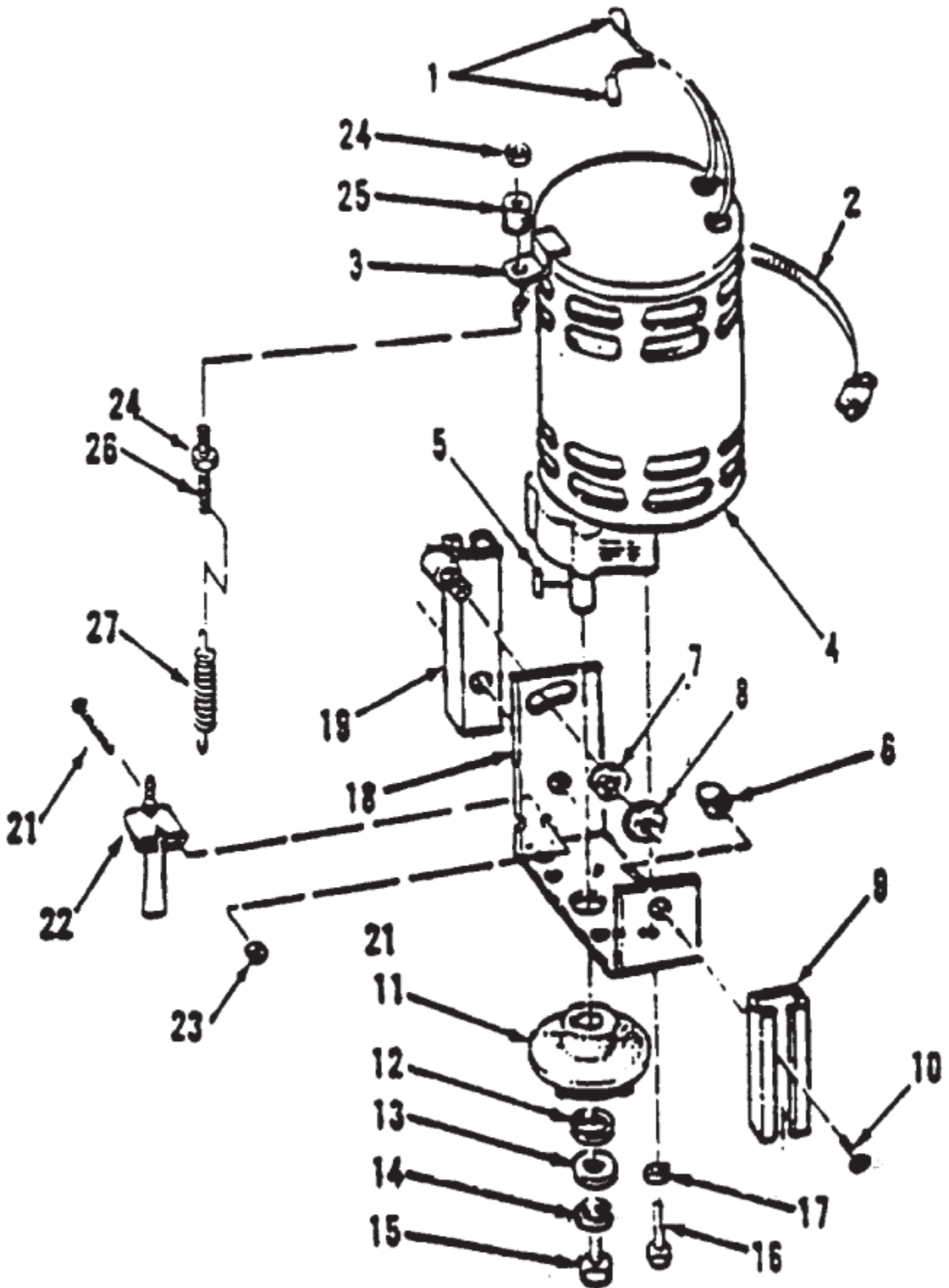
Brush Motor

Vision 20 B/BT

24-02-2015

Part List ID
VISION2007

19



Brush Motor

Vision 20 B/BT

24-02-2015

Part List ID
VISION2007

20

Pos	Part no.	Qty	Description
0	58901A	2	TIE WIRE
2	762005	1	CLAMP
5	80501A	1	KEY MTR SHAFT-3/16SQ X 1 1/4L
6	81104A	2	NUT 1/4 20 ESNA TYPE SS
7	980662	1	WASHER SH 1224 00 LOCK
8	67865A	1	SPACER HANDLE LOCK 1700B+E II
9	63600A	1	GUIDE R.H. 1700
10	84242A	2	SCR 1/4 20 X 5/8 FT HD 100 DEG
11	20308A	1	ADAPTOR MOTOR 1700 VDE
12	980679	1	WASHER 3/4 SAE FLAT PLTD
13	980210	1	WASHER - IMPELLER
14	980652	1	WASHER LK 5/16 REGPLTD
15	85811A	1	BOLT 5/16-18 X 3/4 HX HD
16	85389A	4	SCR 3/8 16X 5/8 PN SY
17	980638	4	LOCKWASHER 3/8 LT SPRING TYPE
19	68761A	1	GUIDE WLDMT. VISION 17/20
21	85392A	2	SCREW 10 24 X 1 3/4 PN SZ PH
22	830204	1	ADAPTOR-SOLUTION
23	81110A	2	NUT HEX ELASTIC LOCK 10-24 S.S
24	81111A	2	NUT HEX ELASTIC LOCK 3/8 16
25	65300A	1	KNOB ADJUSTMENT
26	68004A	1	STUD-PAD ADJUSTMENT
27	818381	1	SPRING IDLER TEN TB16

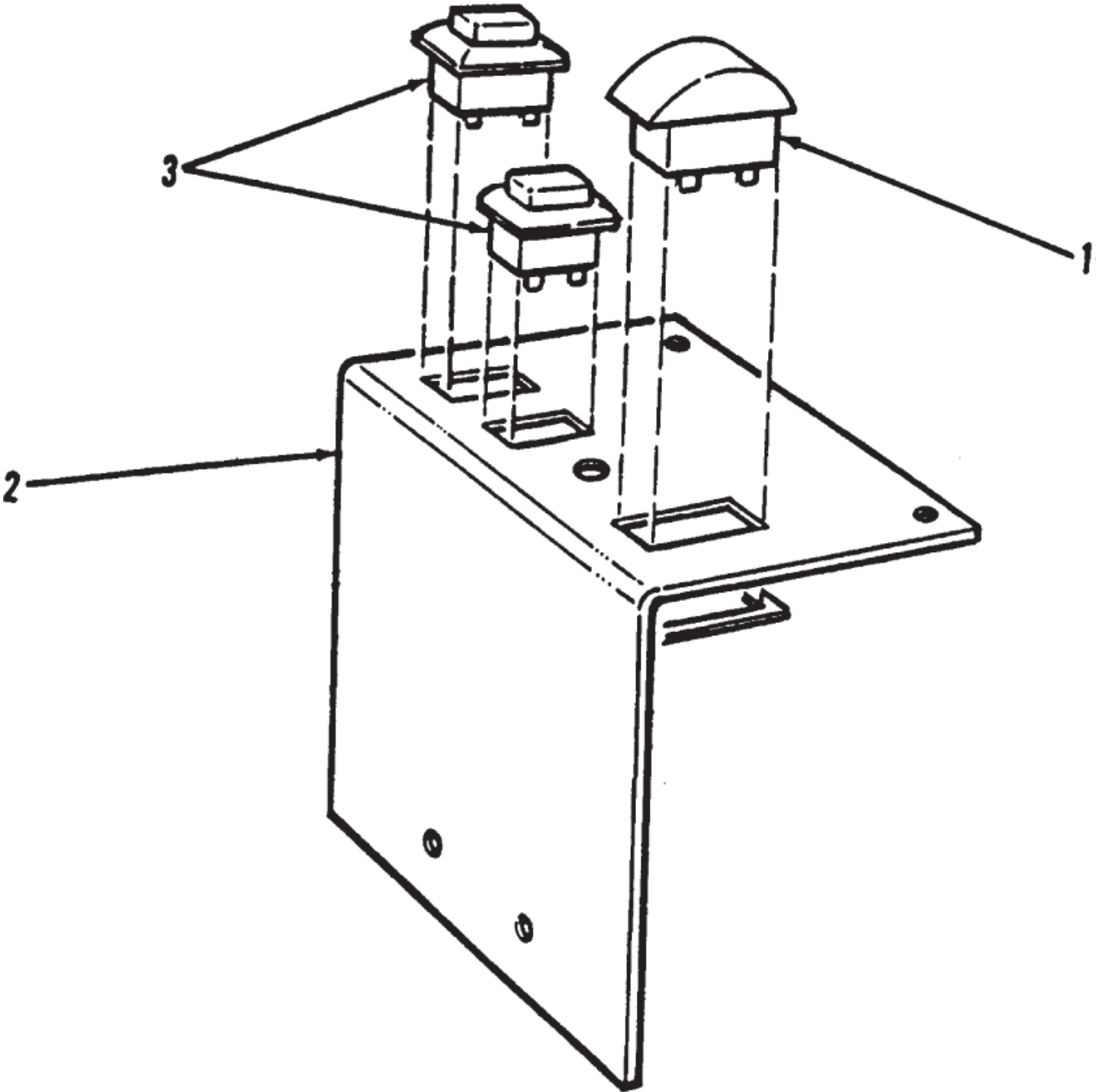
Panel assembly 20 B

Vision 20 B/BT

24-02-2015

Part List ID
VISION2008

21



Panel assembly 20 B

Vision 20 B/BT

24-02-2015

Part List ID
VISION2008

22

Pos	Part no.	Qty	Description
2	66179A	1	PANEL CONTROL VIS 17/20
3	47316B	2	SWITCH ROCKERDPST

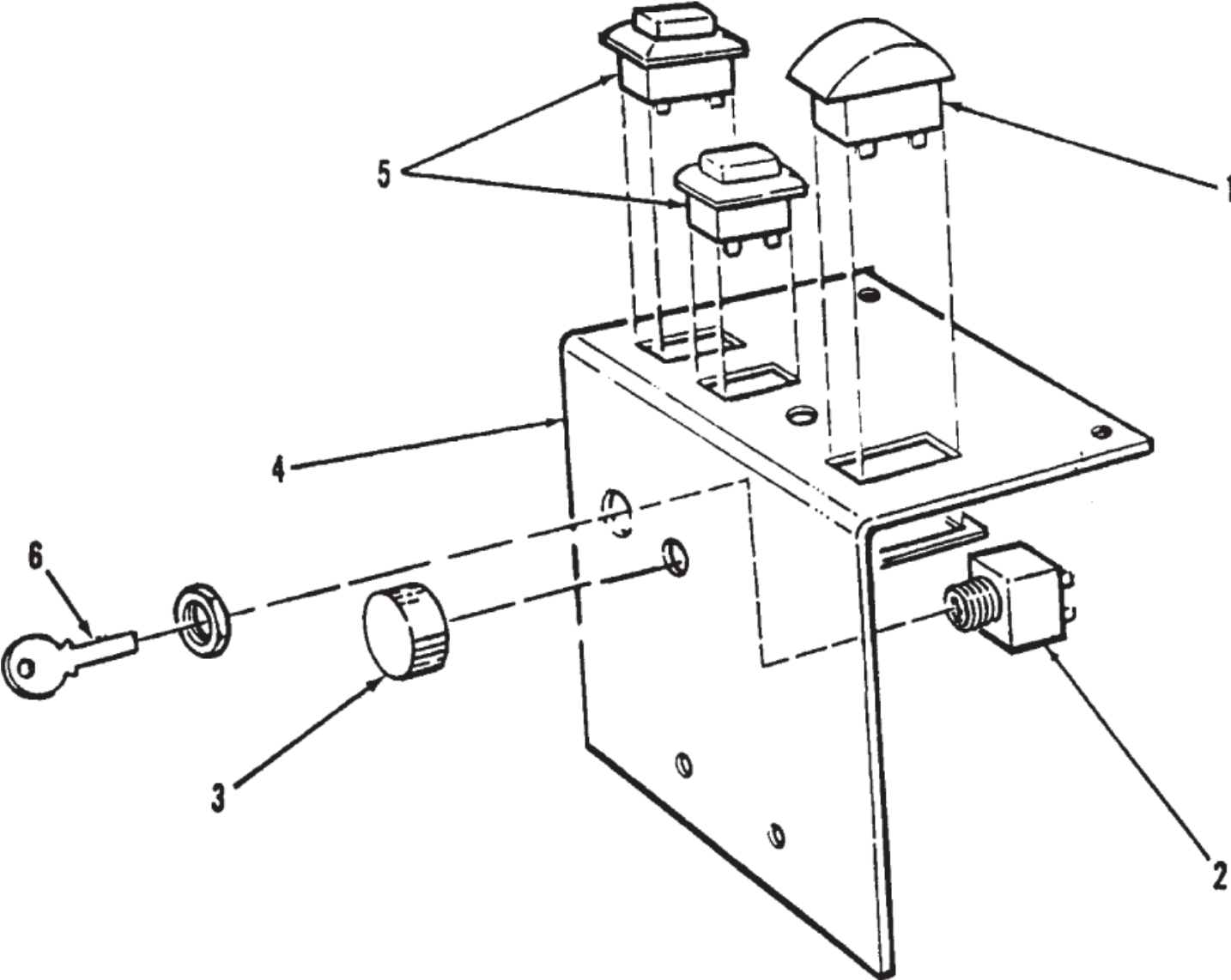
Panel assembly 20 BT

Vision 20 B/BT

24-02-2015

Part List ID
VISION2009

23



Panel assembly 20 BT

Vision 20 B/BT

24-02-2015

Part List ID
VISION2009

24

Pos	Part no.	Qty	Description
2	47380A	1	SWITCH KEY 32DLX/STD
3	55502A	1	KNOB-SPEED CONTROL+TEMP CONTRL
5	47316B	2	SWITCH ROCKERDPST
6	55413A	1	KEY 26/32 VISIONFOR 47380A S

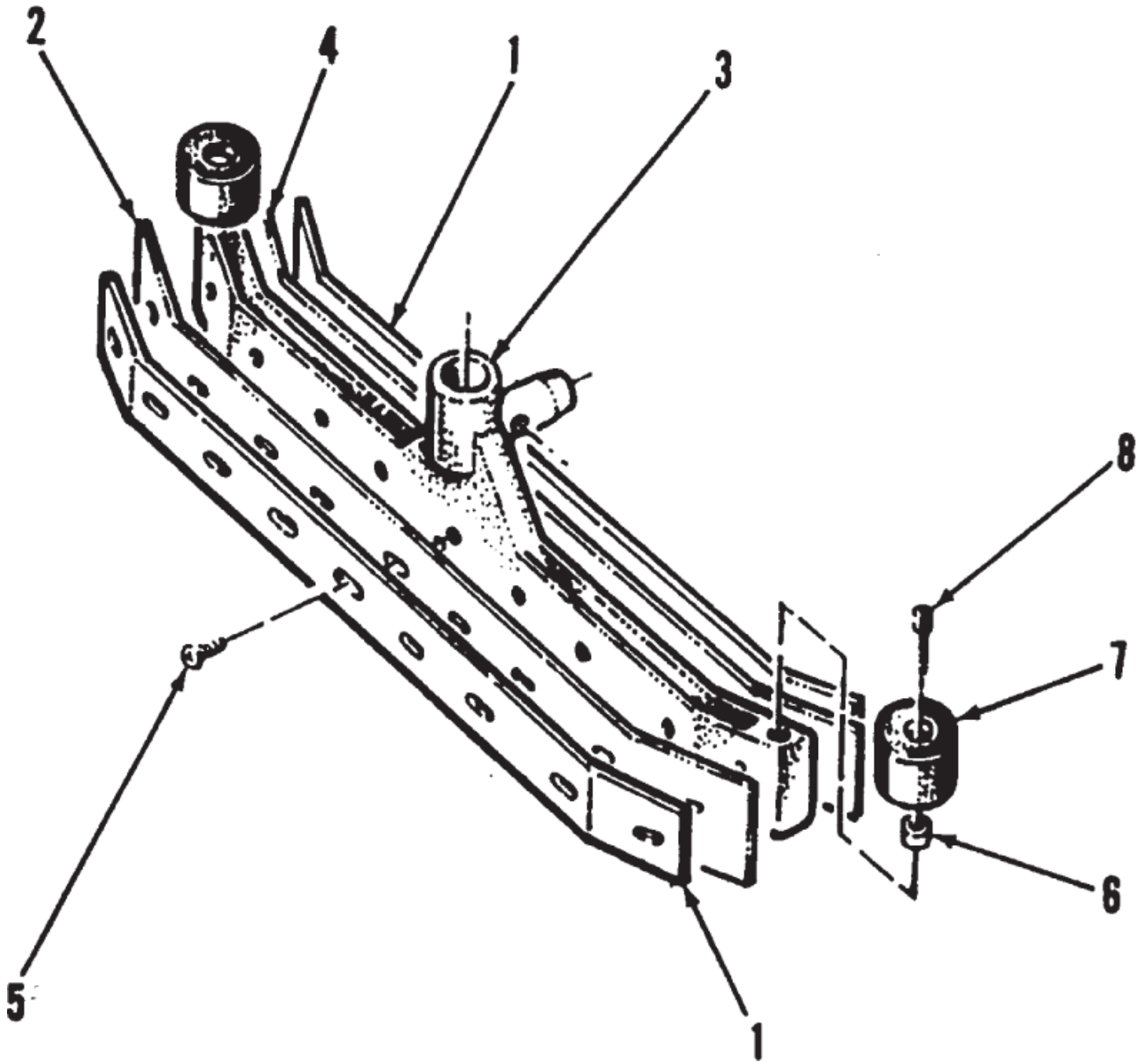
Squeegee Assembly

Vision 20 B/BT

24-02-2015

Part List ID
VISION2010

25



Squeegee Assembly

Vision 20 B/BT

24-02-2015

Part List ID
VISION2010

26

Pos	Part no.	Qty	Description
0	30902A	1	BLADE SQ REAR GUM RUBBER
0	30903A	1	BLADE SQ FRONT GUM
1	66921B	2	RETAINERSQUEEGEE S.S. LEADERS
2	30919A	1	BLADE SQ REAR NITRO/EPDM
3	27703A	1	CASTING SQUEEGEE 2000 B/E
4	30918A	1	BLADE SQ FRONT NYTRO/EPDM
5	85398A	18	SCREW 1/4-20 X 1/2 PAN HD SS
6	838201	2	SPACER WHEEL BR. GUIDE
7	839702	2	WHEEL BRUSH GUIDE
8	962841	2	SCREW 5/16 18X1 1/4 SC ST CAP

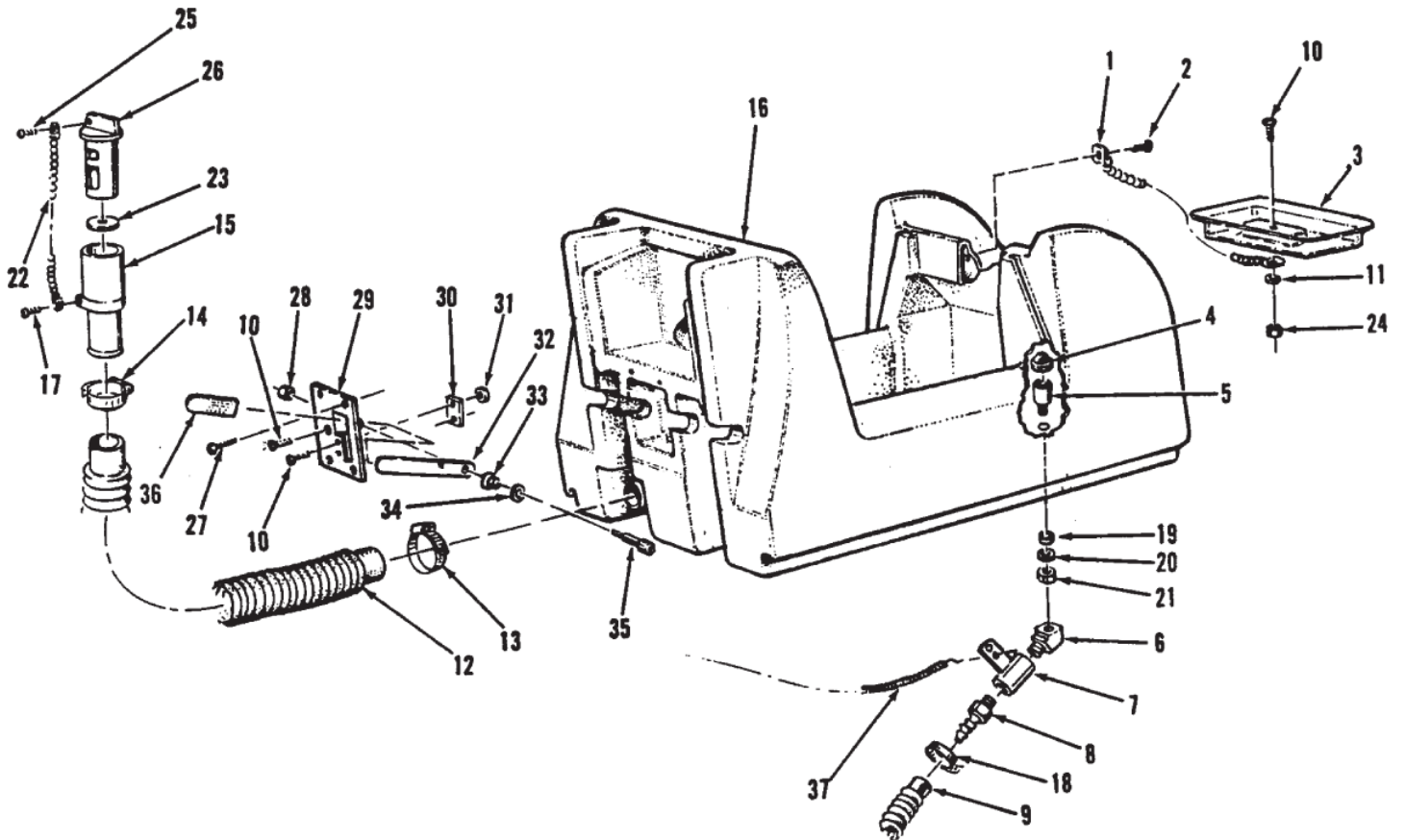
Solution tank

Vision 20 B/BT

24-02-2015

Part List ID
VISION2011

27



Solution tank

Vision 20 B/BT

24-02-2015

Part List ID
VISION2011

28

Pos	Part no.	Qty	Description
1	692409	1	CHAIN-COVER 925A
2	85519A	1	SCR 1/4 20X 3/8 PN SY TC F
3	832322	1	COVER-SOL TANK
4	878535	1	STRAINER-SOL LINE
5	60317A	1	ADAPTORFILTER2000 II
6	53614A	1	ELBOW 3/8X45 BRASS STREET
7	849401	1	VALVE-SOLUTION
8	53618A	1	ADAPTOR 3/8 X 3/8 NPT NYLON
9	35138A	1	HOSE-SOLN TANK
10	962798	1	SCR 10 24X 1/2 PN SS
11	980650	1	WASH .19 x .34 x .04 LOCK
12	30416A	1	HOSE SOLUTION DRAIN VISION 2
13	752020	1	CLAMP 450 SHAMPOOER VAC
14	832002	1	CLAMP NYLON HOSE
15	839401	1	VALVE-DRAIN
17	962958	1	SCREW 8-18 X 1/2 PN
18	722021	1	CLAMPHOSE 4
19	833401	1	GASKET-DRAIN
20	980630	1	WASH 3/4 ID PLAIN ST
21	920264	1	NUT 3/4 16X3/8 HEX JAM
22	52206A	1	CHAIN COVER AUTOSCRUBER
23	833407	1	GASKET-DRAIN
24	920200	1	NUTHEX 10-24 PLTD
25	962987	1	SCR 10 24X 3/8 PN ST TYP23
26	833901	1	HANDLE-DRAIN VALVE
27	84237A	2	SCREW 10-32 X 1/2 PAN HD SS
28	81104A	1	NUT 1/4 20 ESNA TYPE SS
30	68646A	1	PLATE WEAR VISION 20
31	81110A	2	NUT HEX ELASTIC LOCK 10-24 S.S
32	64476A	1	HANDLE SQUEEGEE LIFT VISION
33	53030A	1	SPRING TAPER VISION 20
34	980646	1	WASHER 1/4 SAE FLAT PLTD
35	52206A	1	CHAIN COVER AUTOSCRUBER
36	52755A	1	COVER HANDLE EXT2100
37	61647A	1	CABLESOLUTION2000II

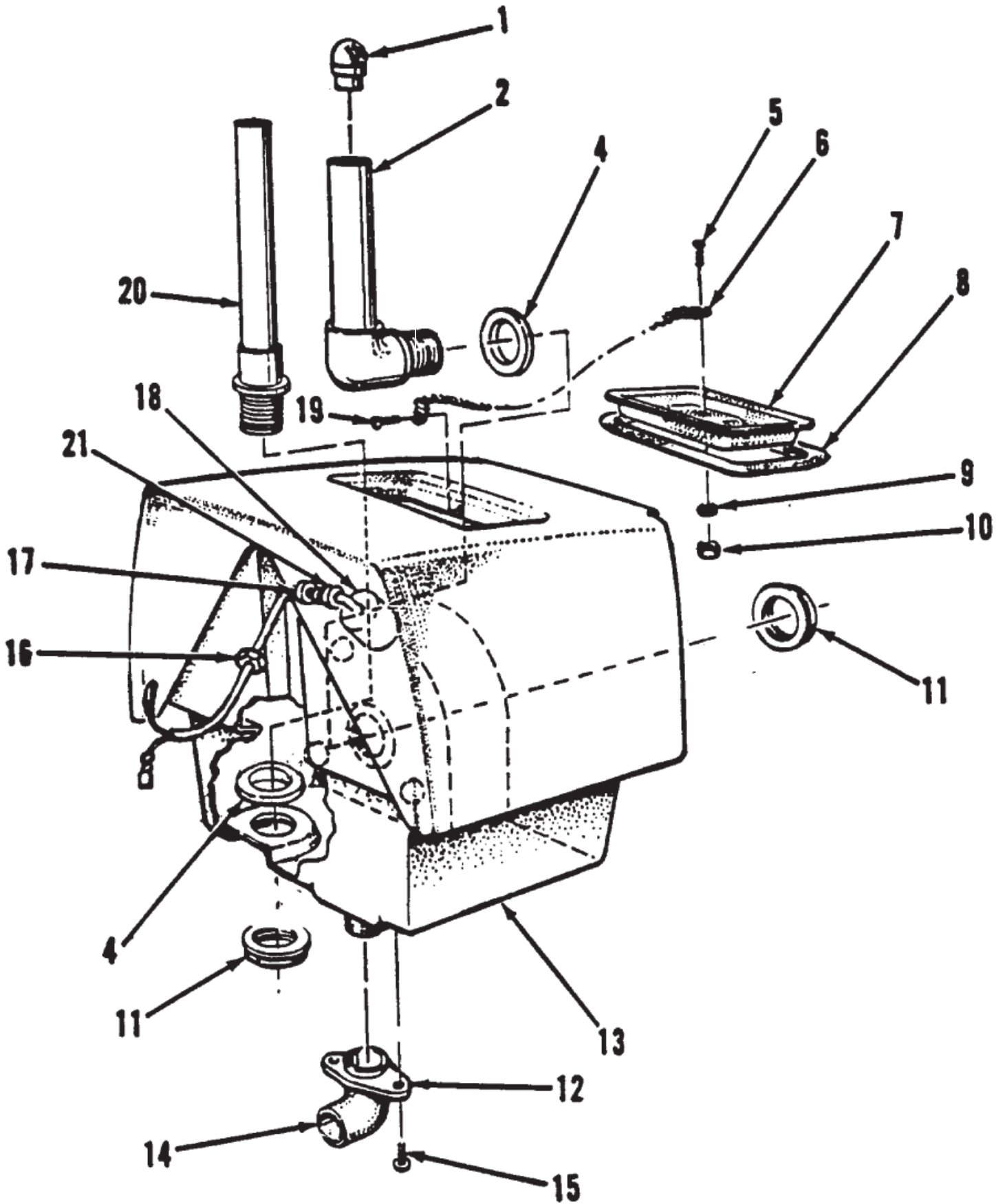
Recovery tank

Vision 20 B/BT

24-02-2015

Part List ID
VISION2012

29



Recovery tank

Vision 20 B/BT

24-02-2015

Part List ID
VISION2012

30

Pos	Part no.	Qty	Description
0	51828A	2	STRAP HOSE 5.00 LEADERS
1	58012A	1	STRAINER-REC.TANK 771-SERII
4	837304	2	O RING RETAINER PAPER BAG
5	962798	1	SCR 10 24X 1/2 PN SS
6	692409	1	CHAIN-COVER 925A
7	832322	1	COVER-SOL TANK
8	34256B	1	GASKET REC IMAGE EXT 441
9	980650	1	WASH .19 x .34 x .04 LOCK
10	920200	1	NUTHEX 10-24 PLTD
11	920797	2	NUT DRAIN VALVE LOCK 8131 935
13	38939B	1	TANK RECOVERY VISION 20
14	53629A	1	ELBOWDRAIN ADAPTOR 1700
15	85395A	2	SCREW 1/4 20 X 1/2 PAN HD SS
16	82100A	1	LOCKNUT 1/2 CONDUIT
17	87612A	1	SEAL WASHER 1700 BT II
18	14092A	1	FLOAT SWITCH KIT VISION 32/26
19	85519A	1	SCR 1/4 20X 3/8 PN SY TC F
20	39323A	1	TUBE RECOVERY VISION 17/20
21	56459A	1	STRAIN RELIEF EXT-771 PBII

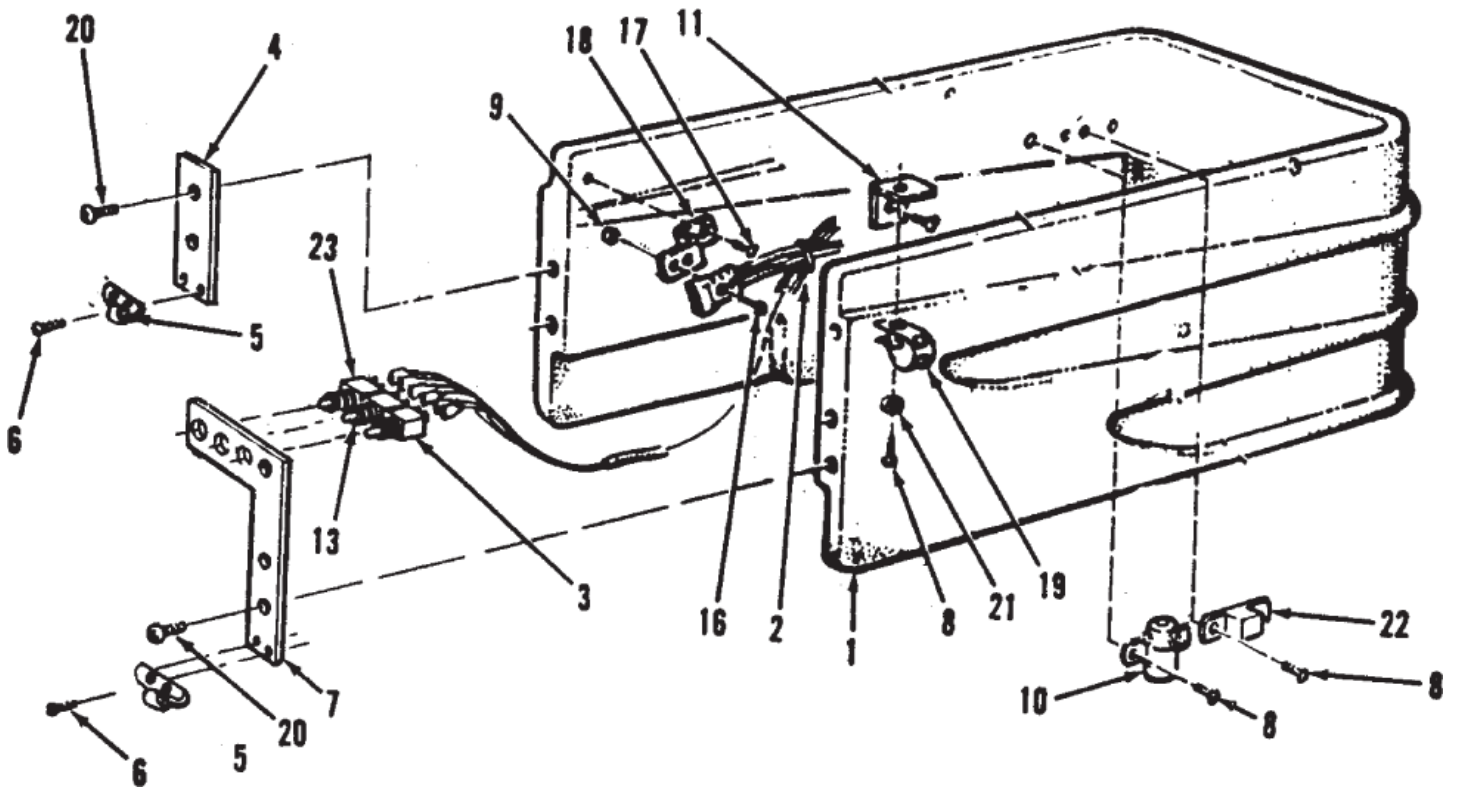
Support assembly 20 BT

Vision 20 B/BT

24-02-2015

Part List ID
VISION2013

31



Support assembly 20 BT

Vision 20 B/BT

24-02-2015

Part List ID
VISION2013

32

Pos	Part no.	Qty	Description
5	608537	2	STRIKE-HOUSING CLAMP
6	85509A	4	SCREW 6-32 X 1/4 PAN HEAD
9	920056	2	NUT-6X32 ELASTIC STOP
10	878514	2	TB18 SOLENOID RBM 24V
11	61244A	5	BRKT. TANK PAINTED 1700B E I
13	41439B	1	BREAKER CIRCUIT 7A QD .25 STR
16	962212	2	SCR 6 32X 7/8 PN ST
18	61246A	1	BRACKETBAT PLUGVIS 17/20B BT
19	51828A	3	STRAP HOSE 5.00 LEADERS
20	85395A	9	SCREW 1/4 20 X 1/2 PAN HD SS
21	87026A	3	WASHER .250 FLAT SS

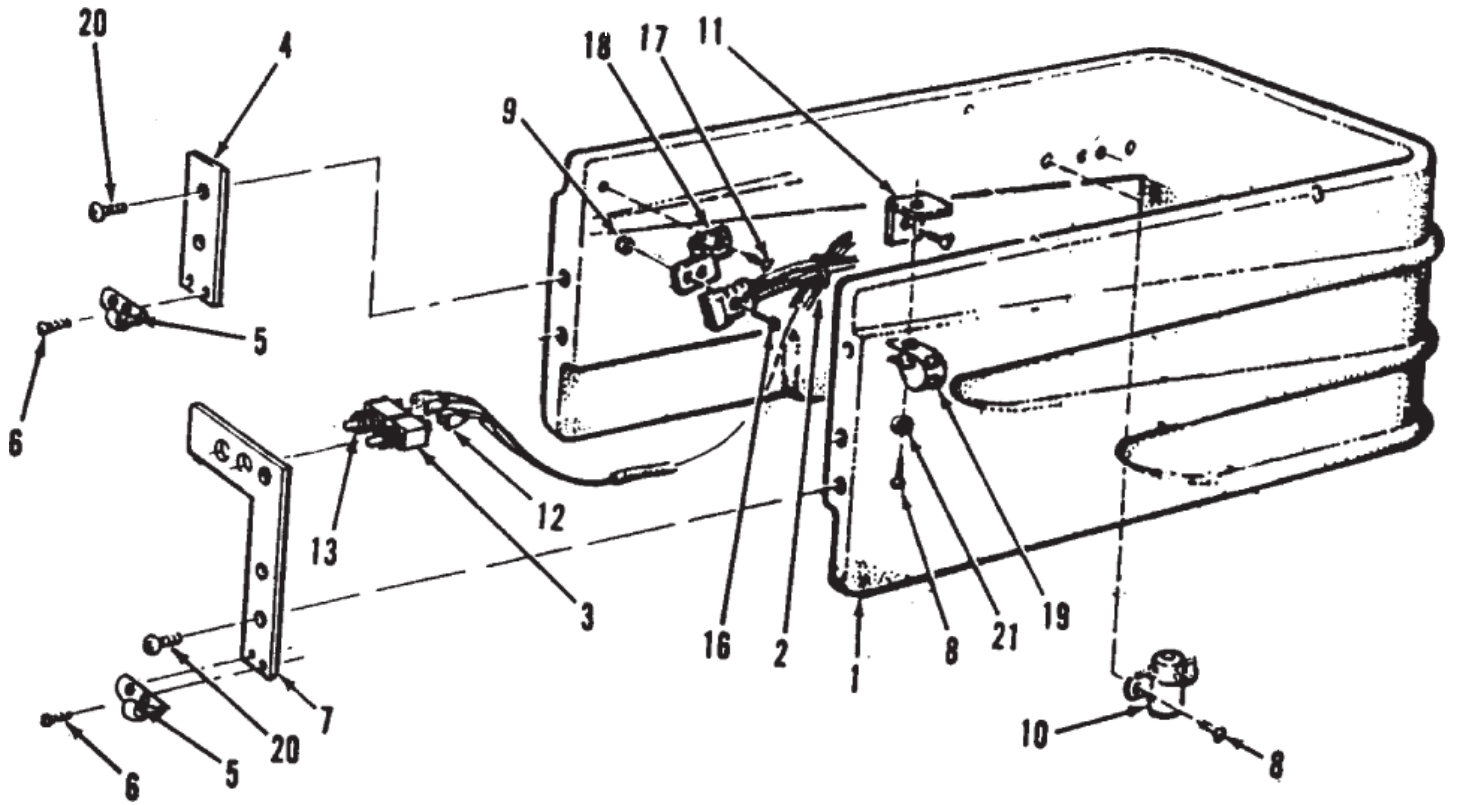
Support assembly 20 B

Vision 20 B/BT

24-02-2015

Part List ID
VISION2014

33



Support assembly 20 B

Vision 20 B/BT

24-02-2015

Part List ID
VISION2014

34

Pos	Part no.	Qty	Description
5	608537	2	STRIKE-HOUSING CLAMP
6	85509A	4	SCREW 6-32 X 1/4 PAN HEAD
9	920056	2	NUT-6X32 ELASTIC STOP
10	878514	2	TB18 SOLENOID RBM 24V
11	61244A	5	BRKT. TANK PAINTED 1700B E I
16	962212	2	SCR 6 32X 7/8 PN ST
18	61246A	1	BRACKETBAT PLUGVIS 17/20B BT
19	51828A	3	STRAP HOSE 5.00 LEADERS
20	85395A	9	SCREW 1/4 20 X 1/2 PAN HD SS
21	87026A	3	WASHER .250 FLAT SS

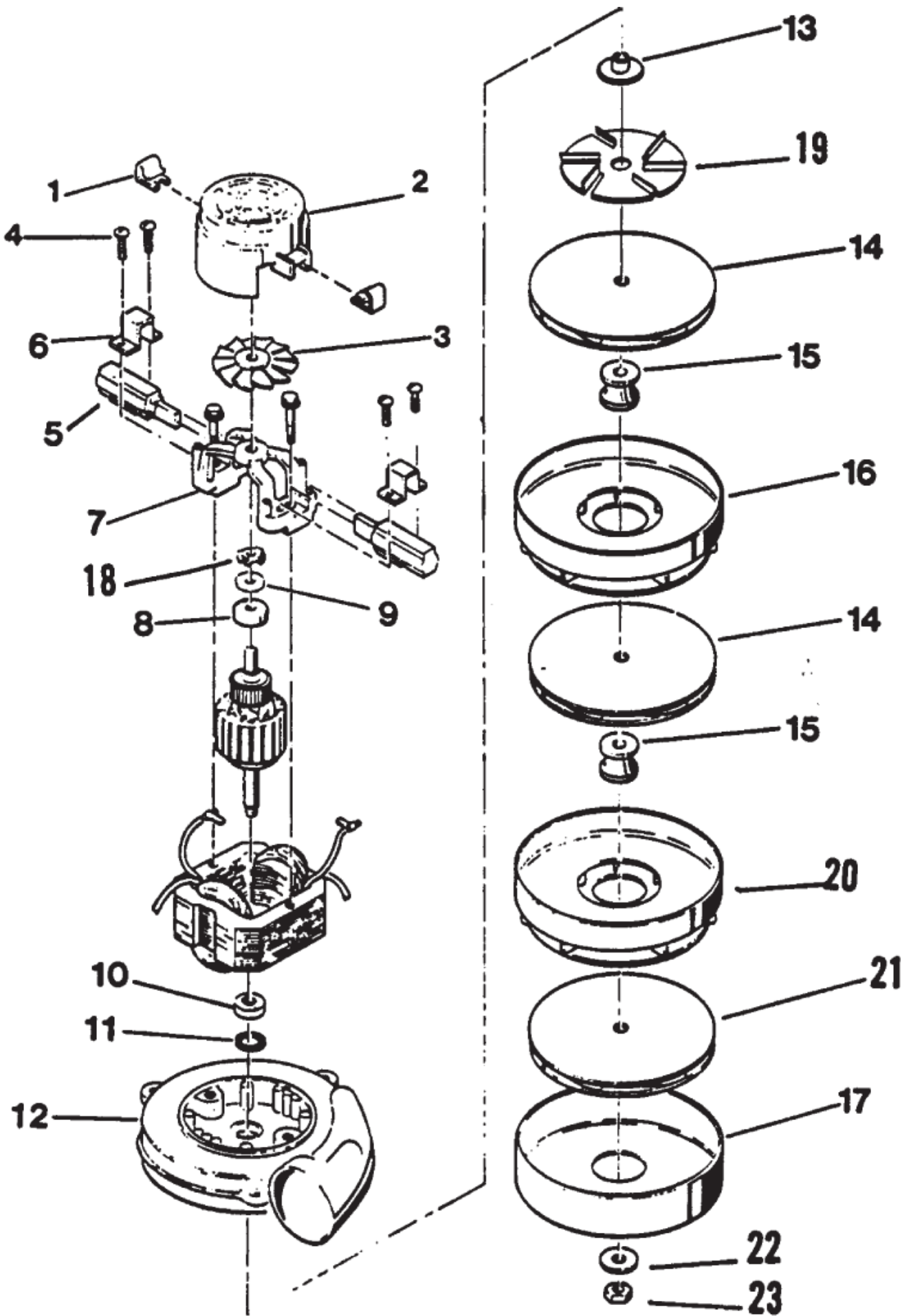
Vacuum motor

Vision 20 B/BT

24-02-2015

Part List ID
VISION2015

35



Vacuum motor

Vision 20 B/BT

24-02-2015

Part List ID
VISION2015

36

Pos	Part no.	Qty	Description
1	51913A	2	CLIP
2	54809A	1	HOUSING
4	85303A	4	SCREW 8-32 X 3/8 PN ST PH
5	40817A	2	BRUSH CARBON 2000B VAC MOTOR1
6	51914A	2	CLAMP
7	50618A	1	BRACKET-END COMM.
11	59803A	1	WASHER-NEOPRENE 685202-4
14	53914A	2	FAN
15	658201	2	SPACER

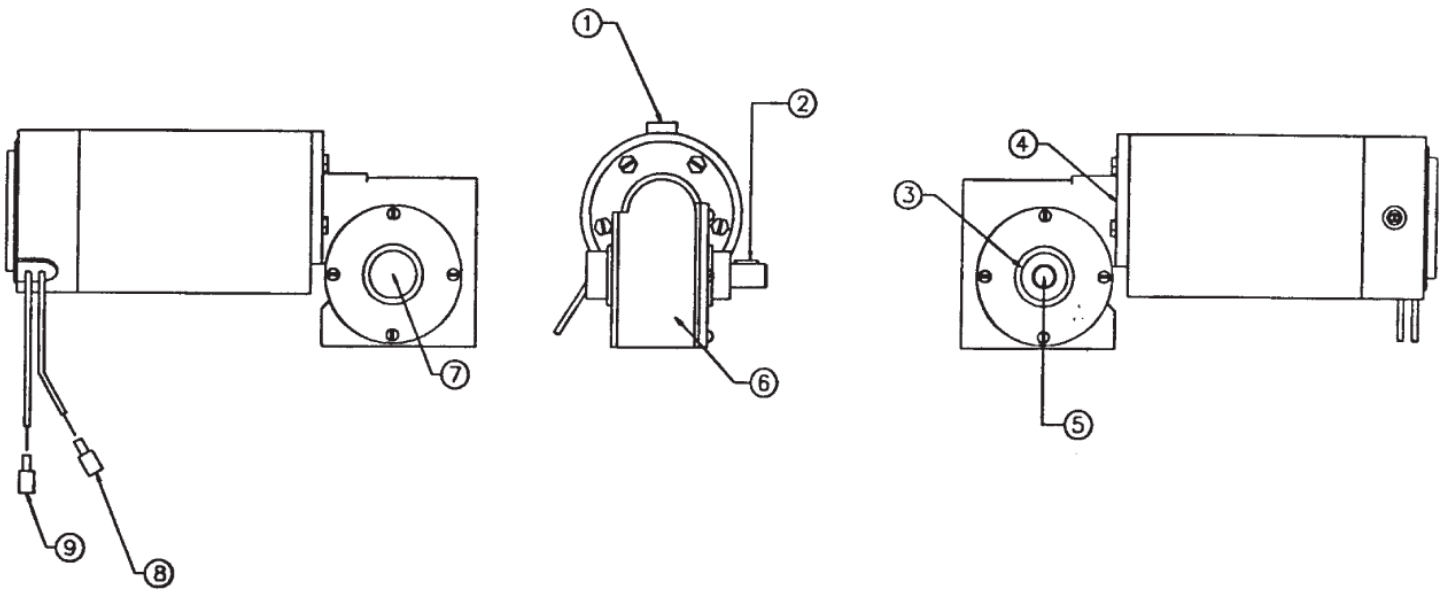
Motor Traverse

Vision 20 B/BT

24-02-2015

Part List ID
VISION2016

37



Motor Traverse

Vision 20 B/BT

24-02-2015

Part List ID
VISION2016

38

Pos	Part no.	Qty	Description
1	40412A	2	BRUSHCARBON FOR 45035D 2 PER
3	58520A	1	SPACERSLEEVEGEARBOX FOR 450
5	54417A	1	GEAR ASM. FOR 45035D
7	52061A	1	CAPHEADGEAR FOR 45035D
8	47709A	1	TERMINAL1/4 FIFQD 12-10 GA.
9	47709A	1	TERMINAL1/4 FIFQD 12-10 GA.

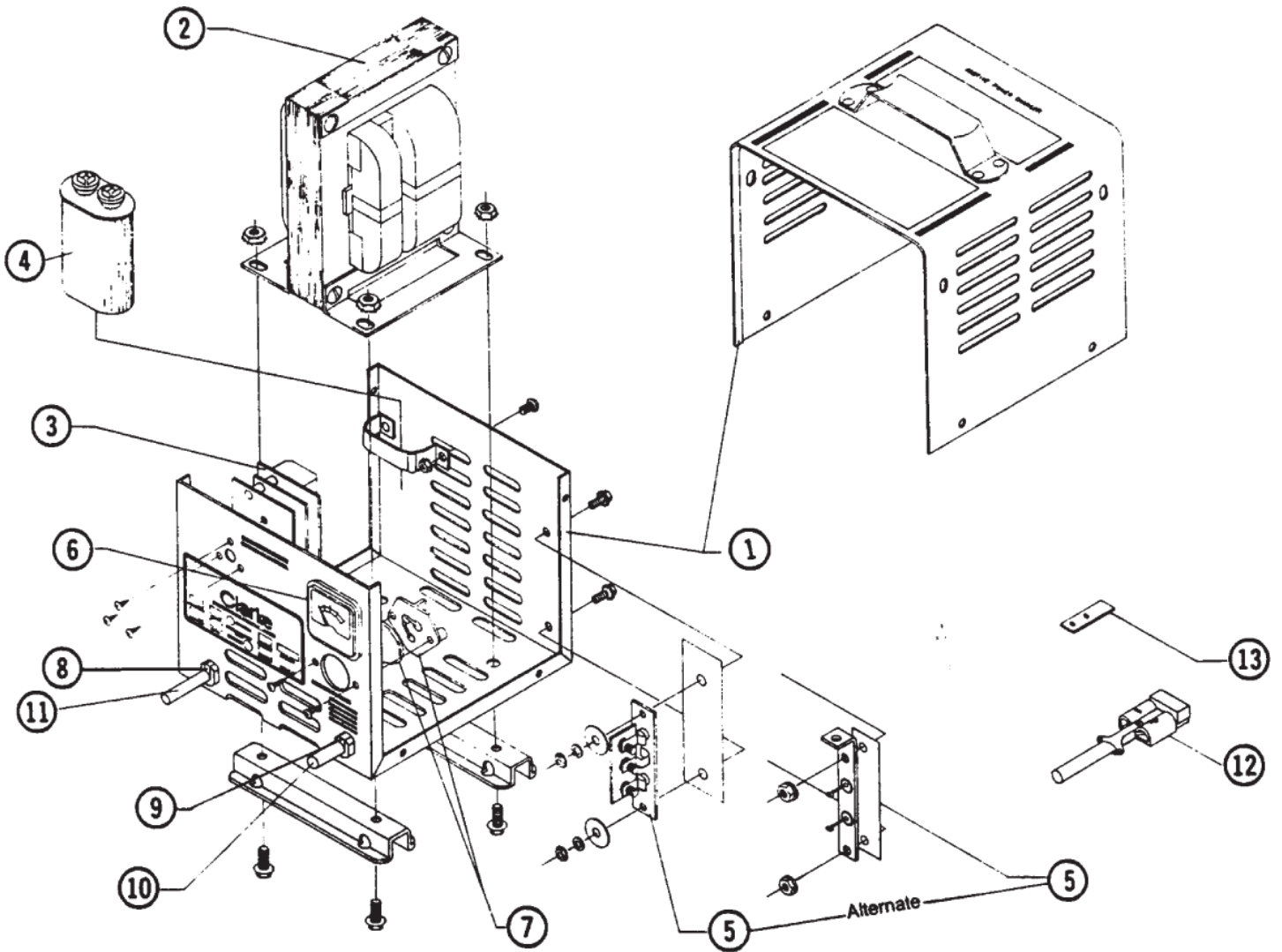
Battery charger

Vision 20 B/BT

24-02-2015

Part List ID
VISION2017

39



Battery charger

Vision 20 B/BT

24-02-2015

Part List ID
VISION2017

40

Pos	Part no.	Qty	Description
1	41129A	1	ASM-MODEL 13080 CASE
3	48200A	1	TIMER ELECTRONIC SMART
4	912132	1	CAPACITOR 6 MFD
5	56373047	1	HEAT SINK ASSY W/DI E00074
6	40200A	1	AMMETER DC 0 35 AMPS
7	912382	1	FUSE ASS Y 832415 4
9	747553	1	STRAIN RELIEFSR7W2 CM20
10	51986A	1	CORD SETDC W/PLUG KEY
11	51974A	1	CORD 78 POWER FOR 40503A 6
11	908947	1	CORD ASM-AC 230V LESTER 9108
12	911470	1	HOUSINGCONNECTORRED 24V
13	795020	1	KEY CHARGER PLUG SPS 28

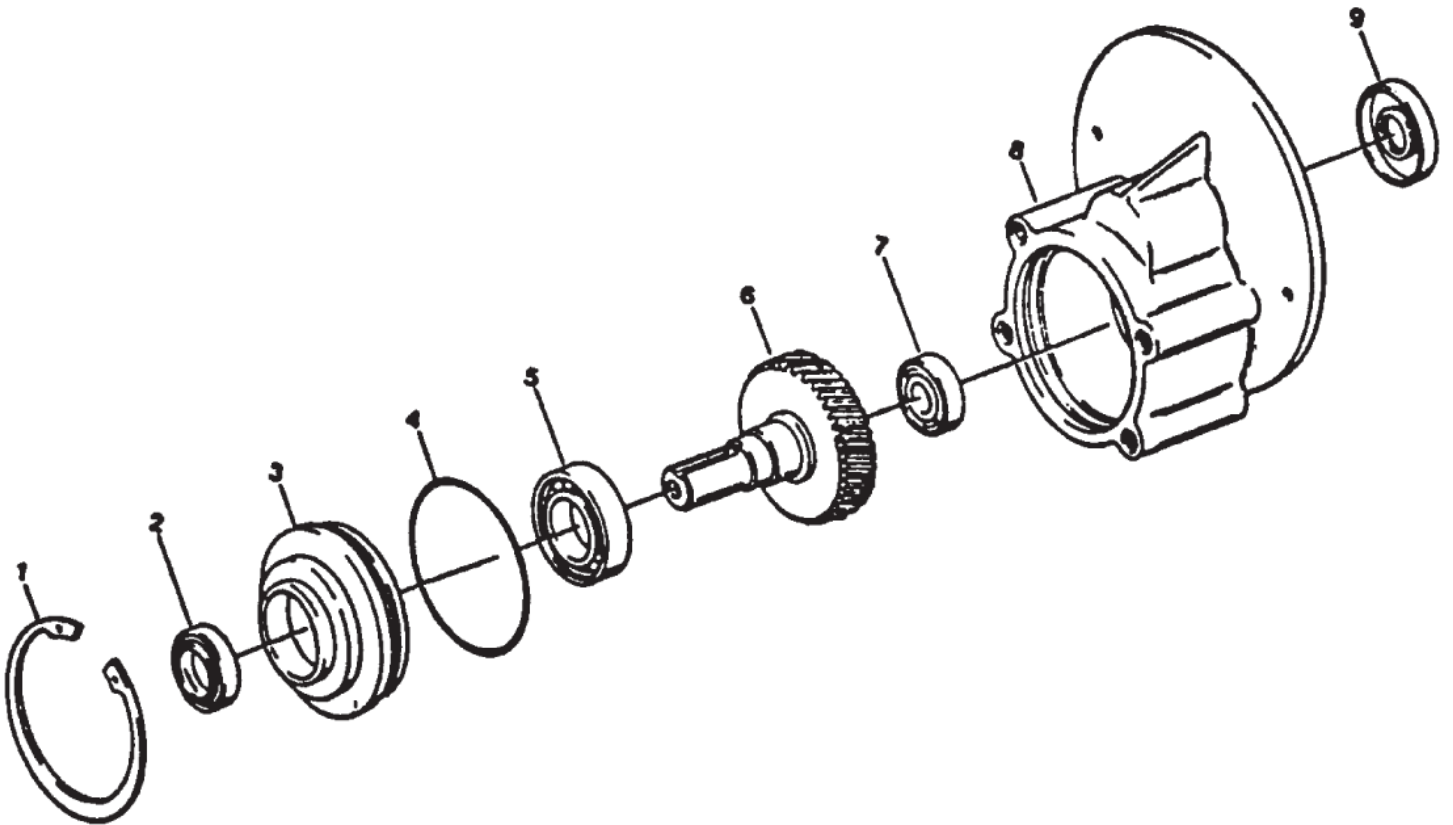
Gearbox

Vision 20 B/BT

24-02-2015

Part List ID
VISION2018

41



Gearbox

Vision 20 B/BT

24-02-2015

Part List ID
VISION2018

42

Pos	Part no.	Qty	Description
1	57846A	1	RING KITSNAPINTERNALGEARBOX
3	52050A	1	CAP END GEAR BOX 1700/2000
4	56668A	1	O-RING GEARBOX 1700/2000
5	51176A	1	BEARING BALL 6005 SERIES
6	58316A	1	SHAFT AND GEAR GEARBOX 1700/2
7	902605	1	BRG 710 730 TB16 TB18
8	54883A	1	HOUSING GEARBOX 1700/2000
9	58144A	1	SEAL OIL 1.628 OD X .75 ID X

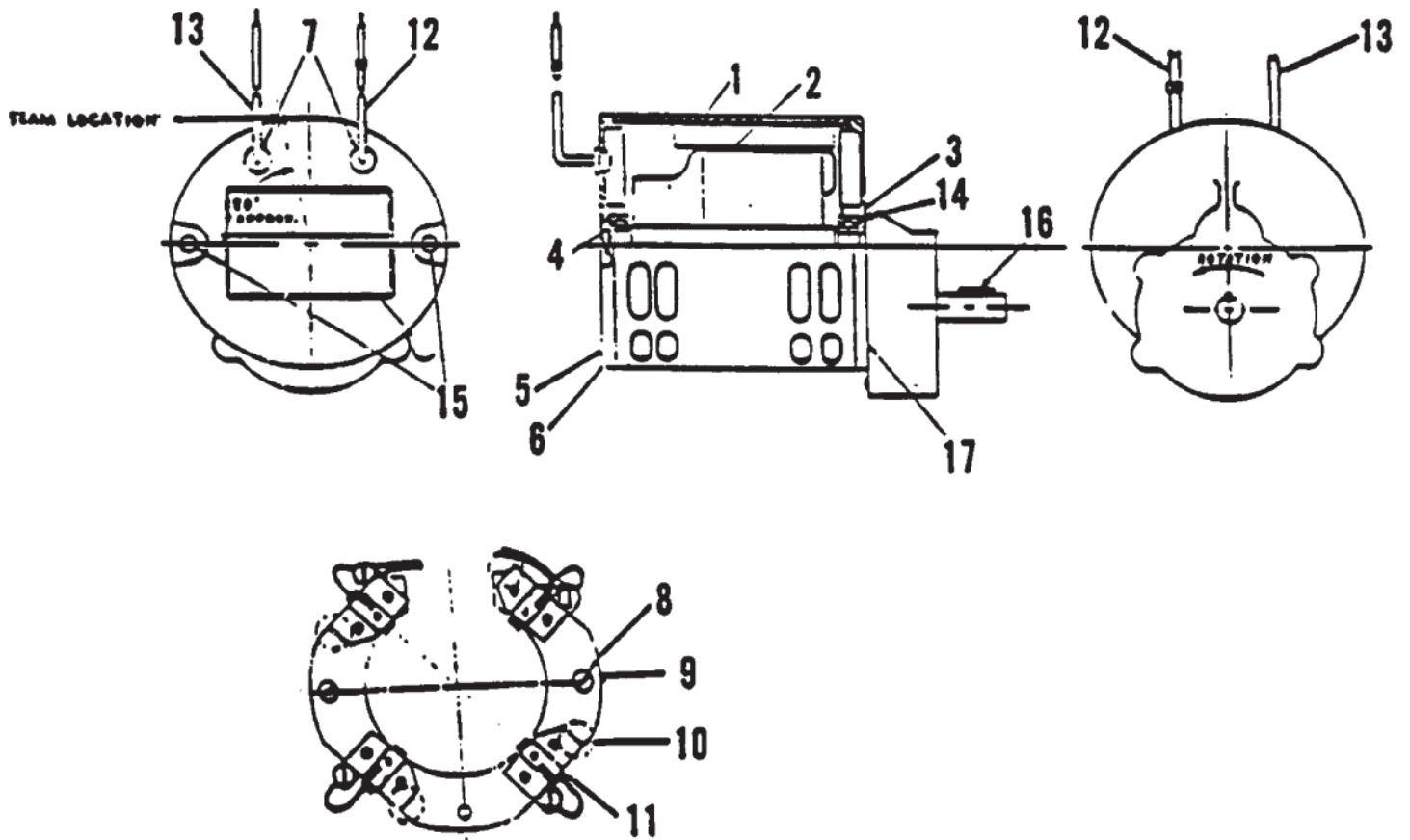
Brush motor

Vision 20 B/BT

24-02-2015

Part List ID
VISION2019

43



Brush motor

Vision 20 B/BT

24-02-2015

Part List ID
VISION2019

44

Pos	Part no.	Qty	Description
1	56478A	1	STATOR ASM. FOR MTR 44809A
2	50142A	1	ARMATURE ASM. 1700/2000
3	902654	1	BEARING BALL-6204
4	902550	1	BEARING BALL-6203
5	51840A	1	COMMUTATOR ASM. BRACKET 1700/
6	50520A	1	BRACKET COMMUTATOR 1700/2000
7	56480A	2	STRAIN RELIEF MOTOR 1700/2000
8	962546	2	SCR 10 24X 1/2 PN ST TYP23
9	50517A	1	BOARD ASM. BRUSH 1700/2000
10	448396	4	SPRING BRUSH 571001
11	40826A	4	BRUSH ASM.CARBON V32I/26I/38I
12	55657A	1	LEAD ASM POSTIVE FOR MTR NO.44
13	55656A	1	LEAD ASM NEGATIVE FOR MTR NO.4
14	59805A	1	WASHER-HELICAL
15	50515A	2	BOLTTHRU 1/4-20 X 7 5/8 HEX H
17	54238A	1	GEARBOX ASSEMBLY 1700/2000