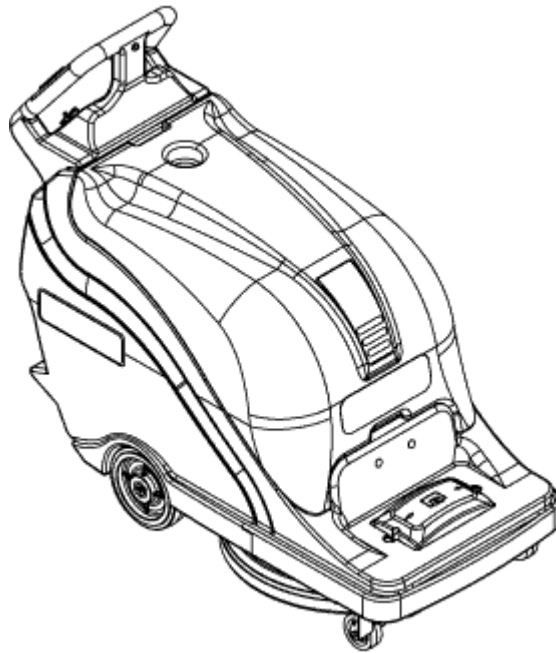


BU800

Model:
BU800 51BT NIL



Part List US-English

03-02-2015

Table of Contents

BU800

Assembly - BU800	3
Frame assembly	5
Handle assembly	7
Body assembly	9
Head assembly	11
Active vac kit	13
Transaxle	15
Ladder diagram	17
Recommended spare parts	19
BURNISHER ANTI-VIBRATION KIT	21

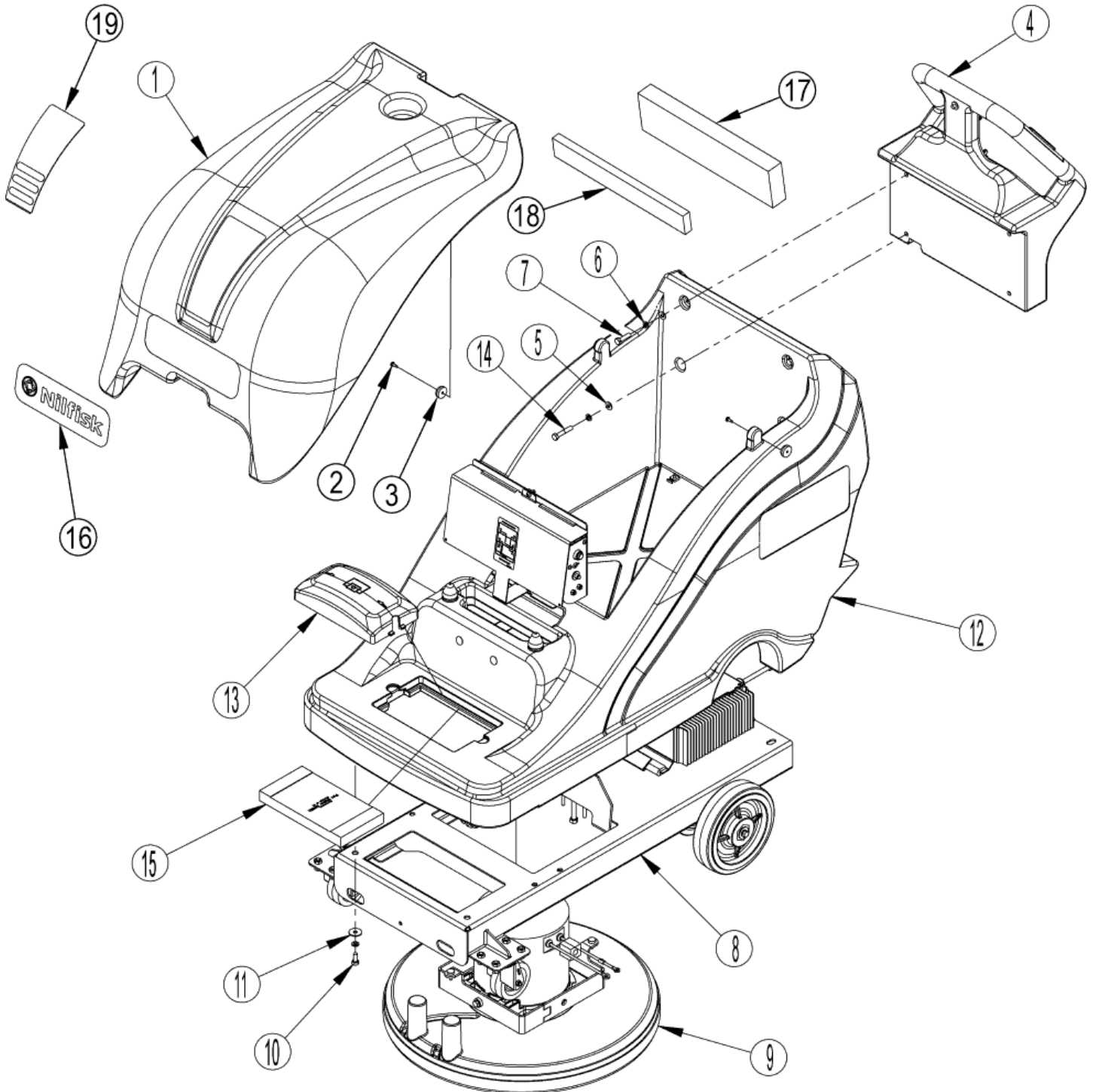
Assembly - BU800

BU800

03-02-2015

Part List ID
BU80002

3



Assembly - BU800

BU800

03-02-2015

Part List ID
BU80002

4

Pos	Part no.	Qty	Description	
1	56383542	1	COVER-TOP-BU800	
2	962957	2	SCREW 10 16 X 1/2 HI LO	
3	51609A	2	BUMPER-REAR	
4		1	NOTE COMMENT	see Handle Assembly
5	980651	4	WASHER 5/16 SAE FLAT	
6	980652	8	WASHER LK 5/16 REGPLTD	
7	85814A	2	SCREW 5/16-18 X 1 1/4 HX HD	
8		1	NOTE COMMENT	see Frame Assembly
9		1	NOTE COMMENT	see Head Assembly
10	85811A	4	BOLT 5/16-18 X 3/4 HX HD	
11	980205	4	WASHER .312 ID/1.06 OD/.075THK	
12		1	NOTE COMMENT	see Body Assembly
13	30741A	1	COVER DUST BAG	
14	85816A	2	SCREW 5/16-18 X 1 3/4 HX HD	
15	54195A	1	BAG DUST 10-PACK	Package Of 10
16	56016731	1	DECAL NILFISK	
17	56383330	1	SPACER BATTERY	
18	56383494	1	SPACER-BATTERY-15.5X2.0X.75	
19	56383545	1	DECAL-FRONT-STRIPE	
OP	11223A	1	ACTIVE VAC KIT	
OP	54195A	1	BAG DUST 10-PACK	
OP	56044650	1	LITERATURE PACK	
OP	976240	1	PADS CS20 AQUA ULTRA HS CS/5EA	case of 5. Optional, Not Included

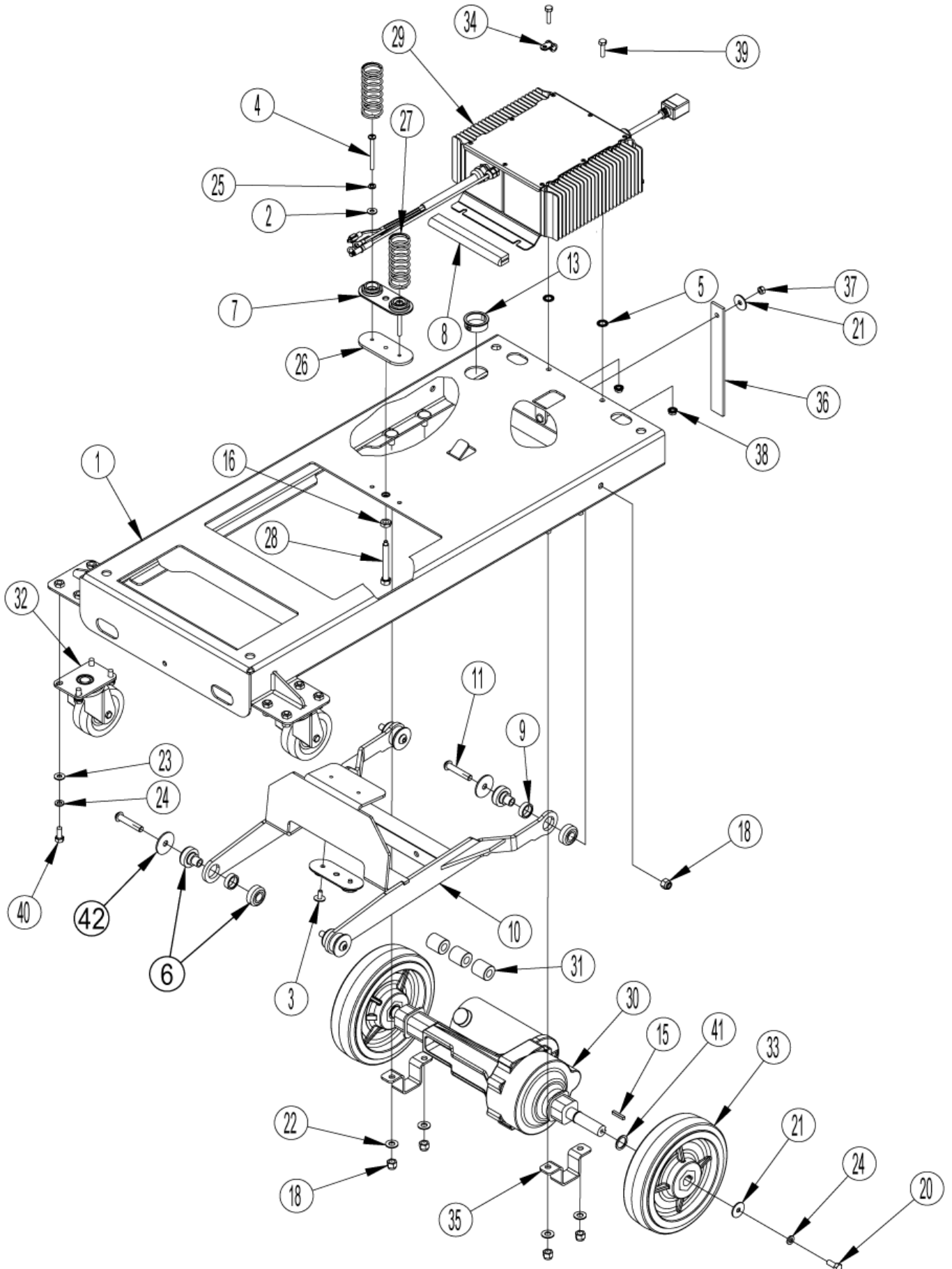
Frame assembly

BU800

03-02-2015

Part List ID
BU80004

5



Frame assembly

BU800

03-02-2015

Part List ID
BU80004

6

Pos	Part no.	Qty	Description	
1		1	NOTE COMMENT	Chassis Weldment
2	56002098	2	WSH FLT SAE 1/4	
3	56109766	2	SCREW BUTTON HEAD 1/4-20 X .63	
4	56002789	2	SCR PAN PHIL 1/4-20 X 2.50	
5	56003859	2	WASH-SERRATED EXT SS M10	
6	56383251	4	MOUNT VIBRATION DAMPING	
7	56383203	2	SEAT SOFT SPRING	
8	56383204	1	GASKET CHARGER	
9	56383205	4	SPACER STEEL	
10	56383212	1	HEAD LIFT WELDMENT 20/24	
11	56383250	4	SCR BUTTON SOC 3/8-16 X 2.00	
12		1	NOTE COMMENT	Intentionally Omitted
13	87060A	1	BUSHING INSULATING	
14		1	NOTE COMMENT	Intentionally Omitted
15	915044	2	KEY 3/16 X 3/16 X 1	
16	920148	1	NUT 3/8 -16 HEX JAM	
17		1	NOTE COMMENT	Intentionally Omitted
18	920342	6	NUT LK 3/8-16 REG	
19	962244	4	BOLT 3/8 16 X HHCS	
20	962620	2	SCR 5/16-24 X 3/4 HEX ST CAP	
21	980205	3	WASHER .312 ID/1.06 OD/.075THK	
22	980645	4	WASHER 3/8 FLAT SAE	
23	980651	8	WASHER 5/16 SAE FLAT	
24	980652	10	WASHER LK 5/16 REGPLTD	
25	980657	2	WASHER LOCK 1/4 STD	
26	56381751	1	PLATE SPRING BASE	
27	56381854	2	SPRING COMPRESSION	
28	56382846	1	SCREW HEAD PRESSURE ADJ	
29	41036A	1	CHARGER BATTERY 36V 21A	
30	41043A	1	TRANSAXLE 36V	
31	47202A	3	SUPPRESSOREMI FERRITE	
32	56383396	2	CASTER SWIVEL 3.5 SEALED	
33	54692A	2	WHEEL 8 TRAVERSE	
34	54768A	1	CLAMP P 5/16 STEEL	
35	62435A	2	CLAMP TRANSAXLE PNTD ENCORE	
36	69639A	1	STATIC STRAP FUSION	
37	81104A	1	NUT 1/4 20 ESNA TYPE SS	
38	81220A	2	NUTHEX SERRATED FLANGE1/4-20	
39	85700A	2	SCR 1/4 -20X1 HX ST CAP	
40	85811A	8	BOLT 5/16-18 X 3/4 HX HD	
41	87616A	2	WASHER FLT 1.00X.75X.06 NYLON	
42	56383253	4	WASHER SNUBBING	

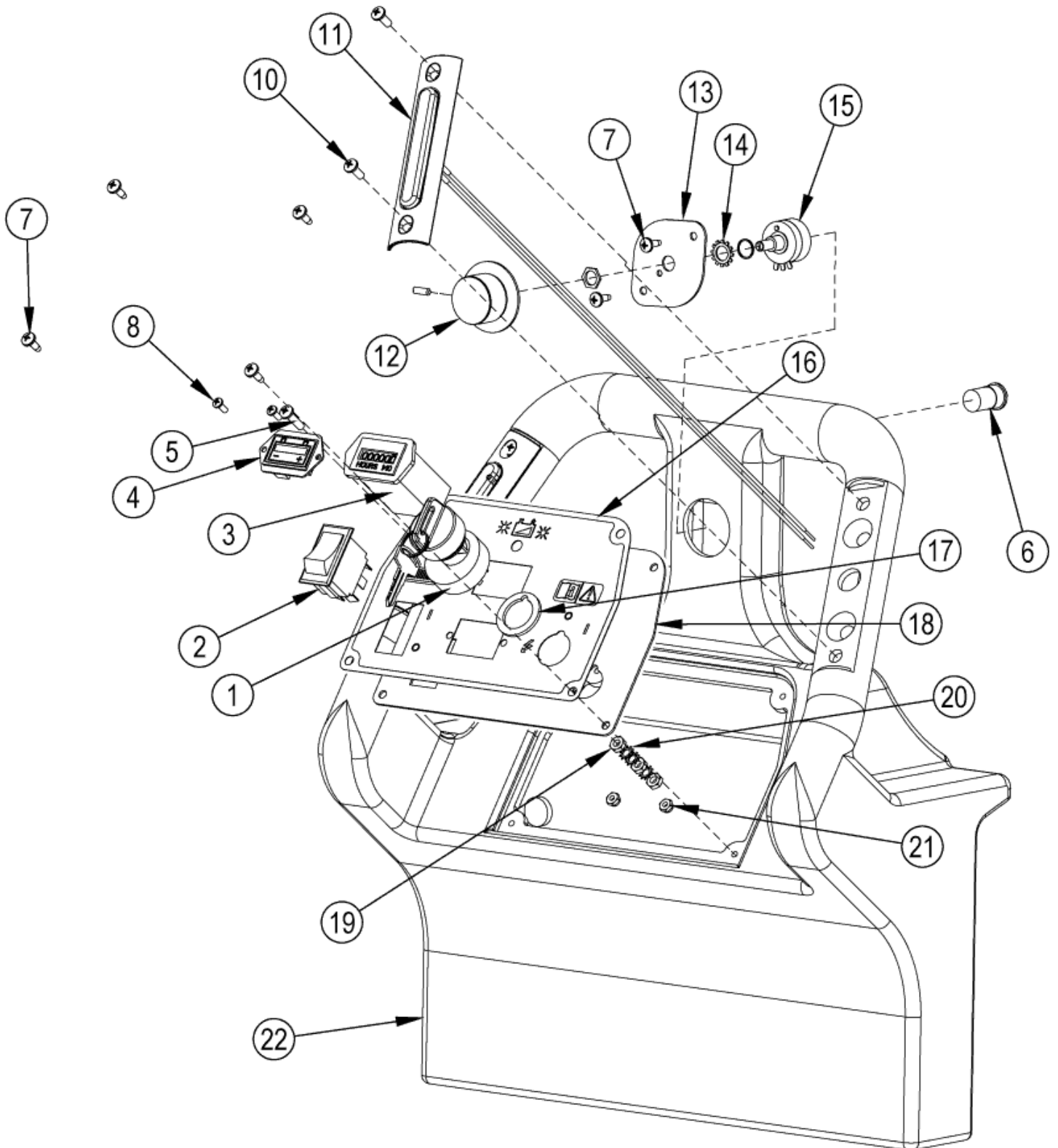
Handle assembly

BU800

03-02-2015

Part List ID
BU80006

7



Handle assembly

BU800

03-02-2015

Part List ID
BU80006

8

Pos	Part no.	Qty	Description
1	40786A	1	SWITCH KEY HOBBS FOCUS WB
2	47381B	1	SWITCH DPDT 15A 3/4 HP NL RKR
3	912226	1	METER HOUR 12V DC
4	41008A	1	METER TRUCHARGE
5	85383A	1	SCREW 10-32 X 3/4 PAN HD
6	52556A	1	SWITCH PUSH BUTTON ENCORE 17
7	962957	6	SCREW 10 16 X 1/2 HI LO
8	85313C	2	SCREW 6-32 X 3/8 PAN HD
9		1	NOTE COMMENT Intentionally Omitted
10	80104A	4	SCREW 10 32 X 1/2 OVAL HEAD
11	11178A	2	SWITCH HANDLE ASSY
12	50962A	1	KNOB CONTROL ENCORE 2426
13	61922A	1	PLATE POTENTIOMETER
14	980666	1	WASHER 3/8 EXT. STAR
15	40750A	1	HARNESS WIRING POT DLX
16	71424A	1	LABEL CONTROL PANEL ADV 20BT
17	40786S	1	SPACER KEY SWITCH FOCUS
18	61906A	1	PANEL CONTROL ADVOLUTION TRAV
19	920224	3	NUT-10X32 HEX
20	980603	4	WASHER LK 10 EXT TOOTHPLTD
21	920056	2	NUT-6X32 ELASTIC STOP
22	30684A	1	HANDLE ADVOLUTION 20BT

Body assembly

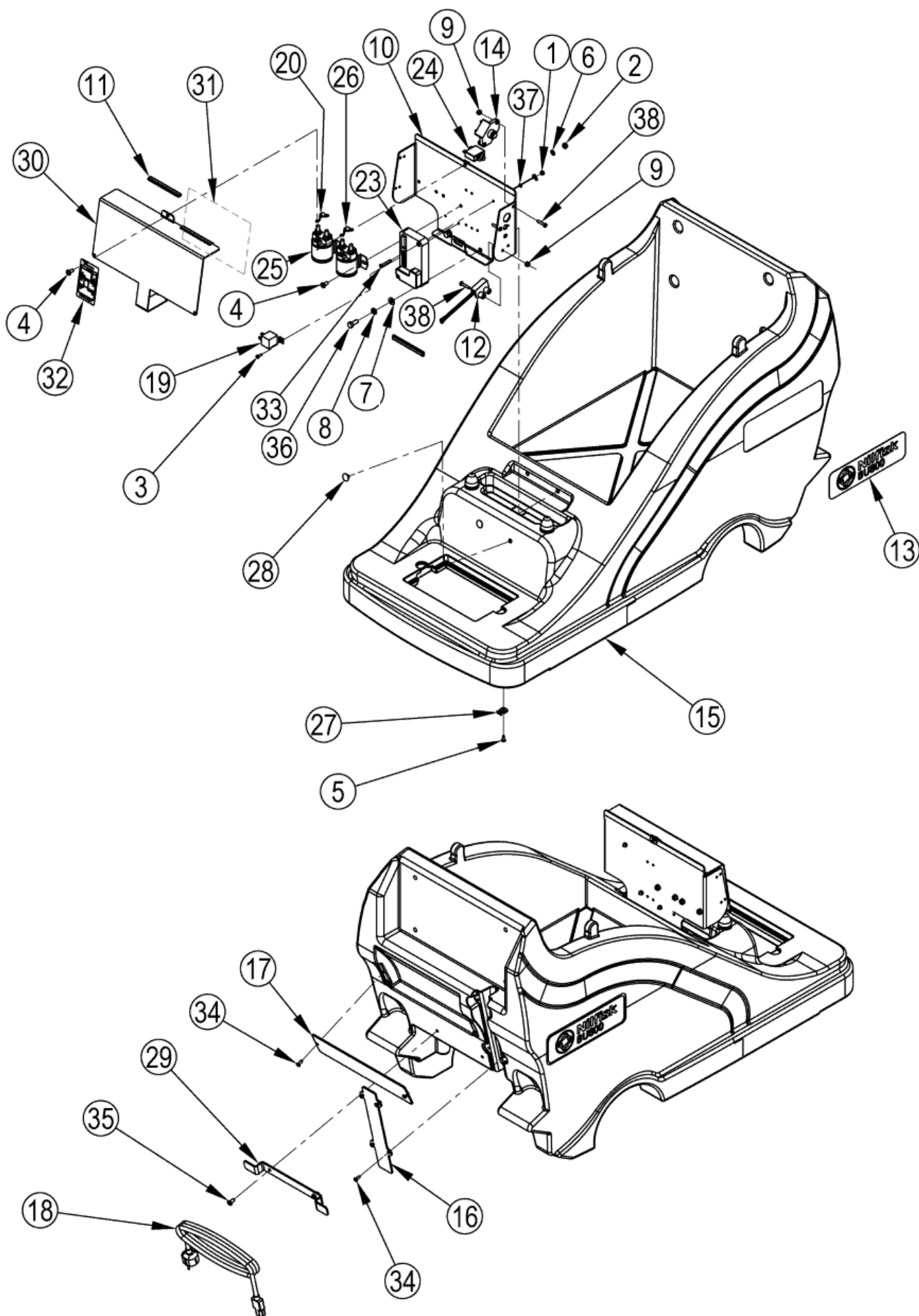
BU800

03-02-2015

Part List ID

BU80008

9



Body assembly

BU800

03-02-2015

Part List ID BU80008

10

Pos	Part no.	Qty	Description
1	920108	3	NUT HEX 8-32 PLTD
2	920208	4	NUT HEX 1/4-20PLTD
3	962027	1	SCREW 8 32 X 1/2 PAN HD
4	962823	5	SCR 1/4-20 X 1/2 PN ST PH
5	962957	3	SCREW 10 16 X 1/2 HI LO
6	980614	4	WASHER LK 1/4 EXT TOOTHPLTD
7	980651	2	WASHER 5/16 SAE FLAT
8	980652	2	WASHER LK 5/16 REGPLTD
9	56002873	3	NUT HEX NYL LOC 10-32
10	56381710	1	PLATE ELECTRICAL WLDMT
11	56383244	3	TRIM LOCK 4-INCH
12	56383487	1	SWITCH-TILT
13	56383544	2	DECAL-BU800-NILFISK
14	56393722	1	CIRCUIT BREAKER 70A
15	30778A	1	BODY ADVOLUTION 20B 20BT
16	38739A	1	COVER HARNESS
17	38740A	1	STRAP DUST BAG
18	40770A	1	CORD CHARGER EURO WB FOCUS
19	41007A	1	RELAY TRAVERSE POWER
20	41022A	1	DIODE AVALANCHE ASSY
21	41038A	1	HARNESS LOGIC 20 BAT BURN TRA
22	41041A	1	HARNESS POWER 20 BAT BURN TRA
23	41042A	1	CONTROLLER I DRIVE 36V
24	41448B	1	BREAKER CIRCUIT 30A SCR.90 DEG
25	41801A	2	CONTACTOR 36V
26	42401A	1	DIODE ASM-CONTACTOR
27	52548A	3	TAB 1/4 SCREW ENCORE 17
28	54770A	2	FASTENER RATCHET
29	61598A	1	BRACKET CORD WRAP
30	61909A	1	COVER ELECTRICAL PANEL
31	79984A	1	LABEL CONNECTION DIAG 20 TRAV
32	79985A	1	LABEL BATTERY CONNECTION
33	80380A	2	SCREW 8-32 X 1-1/4 PH
34	84237A	6	SCREW 10-32 X 1/2 PAN HD SS
35	85395A	2	SCREW 1/4 20 X 1/2 PAN HD SS
36	85811A	2	BOLT 5/16-18 X 3/4 HX HD
37	87200A	3	WASHER 8 INT TOOTH LOCK
38	98470A	3	PHILLIPS 10-32 x 1.0

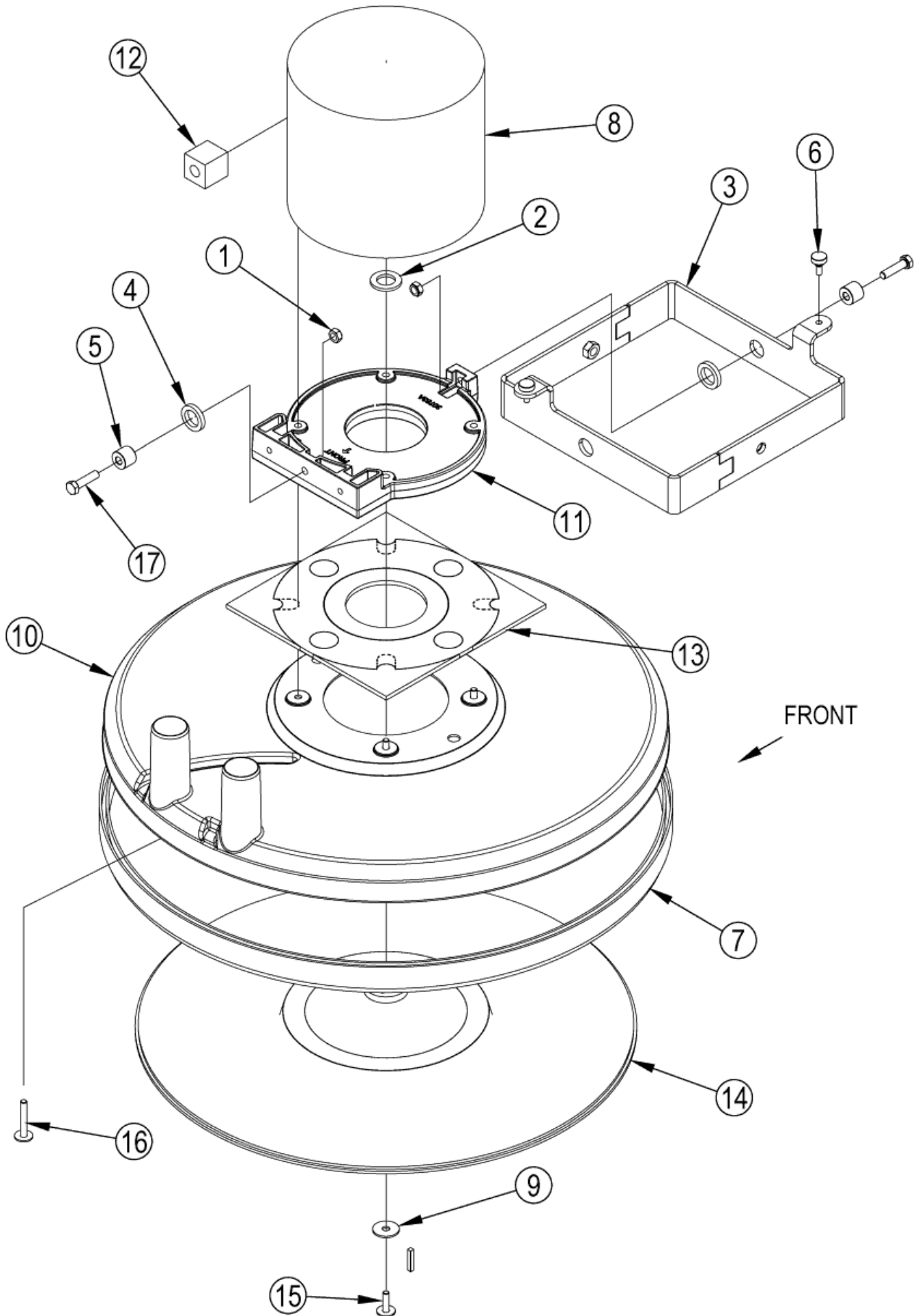
Head assembly

BU800

03-02-2015

Part List ID
BU80010

11



Head assembly

BU800

03-02-2015

Part List ID
BU80010

12

Pos	Part no.	Qty	Description	
1	56002826	2	NUT HEX NYL LOC-THIN 5/16-18	
2	56009022	1	WSH FLT .752/.756X1.250X.125	
3	56383206	1	MOTOR MOUNT WELDMENT	
4	56383218	2	WASHER RUBBER	
5	56383219	2	SPACER	
6	56383224	2	BUMPER BUTTON	
7	56393565	1	SKIRT ASSY	
8	41066A	1	MOTOR 2 HP 36V 1500 RPM	
8	56407500	1	BRUSH ASSEMBLY KIT	Not Shown
9	980205	1	WASHER .312 ID/1.06 OD/.075THK	
10	30739A	1	SHROUD DUST	
11	30783A	1	MOTOR MOUNT	
12	40849A	1	SUPPRESSOR EMI SPLIT	
13	54435A	1	GASKET 2 PCS	
14	56925A	1	PAD DRIVER	
14	57369A	1	RETAINER PAD BOT HALF ONLY	Not Shown
15	80292A	1	SCREW .25-20 X 1.00 BHHR SEMS	
16	80297A	4	SCREW 1/4-20 X 1.75 BH ZP SEMS	
17	85814A	2	SCREW 5/16-18 X 1 1/4 HX HD	

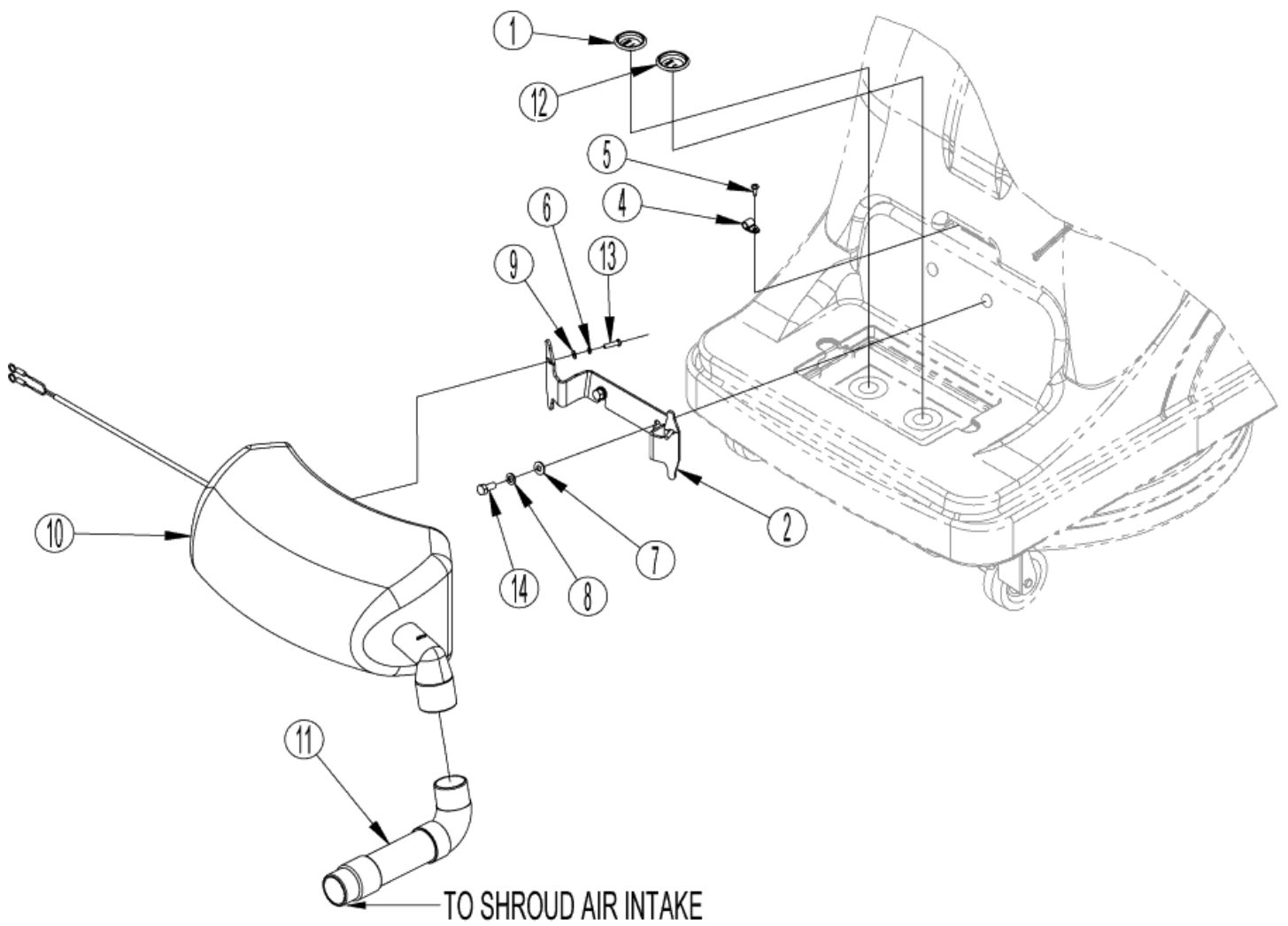
Active vac kit

BU800

03-02-2015

Part List ID BU80012

13



Active vac kit

BU800

03-02-2015

Part List ID
BU80012

14

Pos	Part no.	Qty	Description
0	11223A	1	ACTIVE VAC KIT
1	56380133	1	PLUG-HOLE 1-5/16
2	56383226	1	BRACKET ACTIVE VAC
4	872102	1	NYLON CLIP-5/16 OD
5	962957	1	SCREW 10 16 X 1/2 HI LO
6	980650	2	WASH .19 x .34 x .04 LOCK
7	980651	2	WASHER 5/16 SAE FLAT
8	980652	2	WASHER LK 5/16 REGPLTD
9	980982	2	WASHER 10 SAE FLAT PLTD
10		1	NOTE COMMENT The vacuum unit is not available separately. If y
11	38044A	1	HOSE VAC
12	38045A	1	PLUG HOLE 1 3/8
13	80205A	2	SCREW M5-.8 X 20MM P.P.HD
14	85811A	2	BOLT 5/16-18 X 3/4 HX HD
NS	140 6554 010	1	DUST BAG 5-PCS
NS	140 6597 500	1	EXHAUST FILTER UZ 964 3PCS
NS	140 6794 010	1	PRE FILTER NEW VERSION
NS	140 6908 000	1	DUST BAG CLOTH

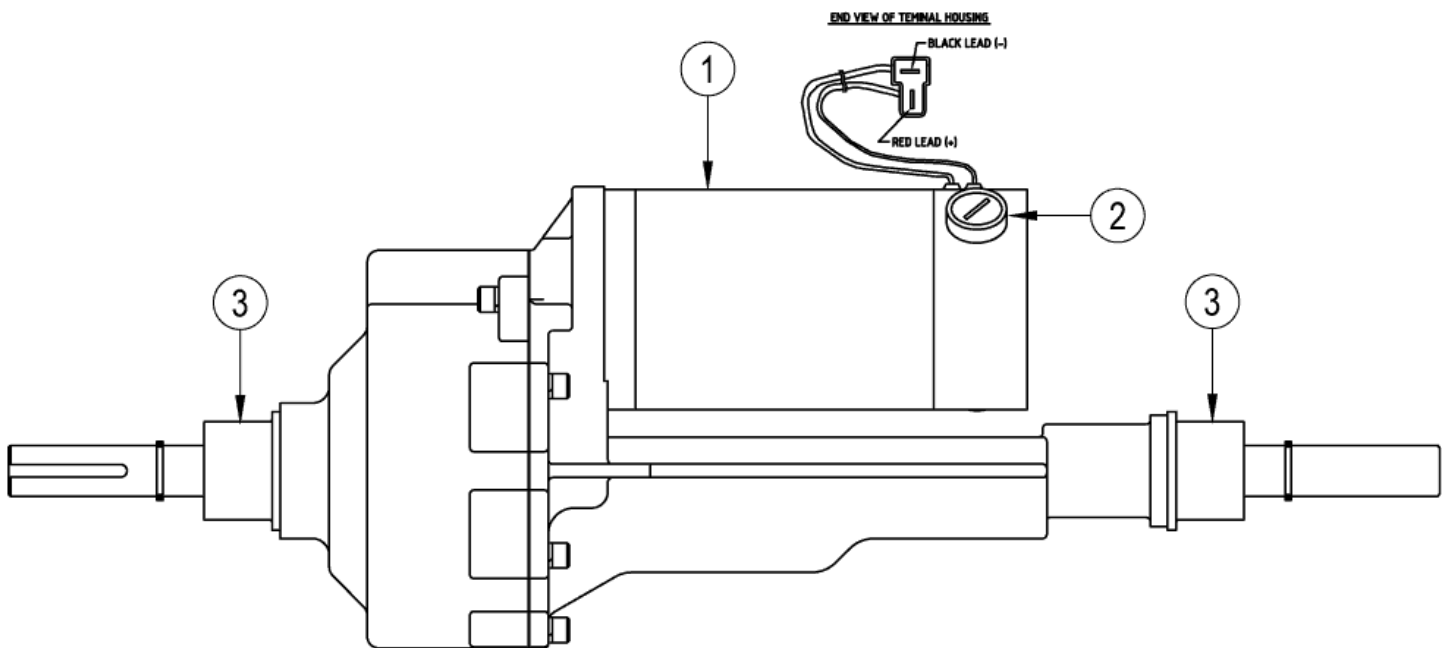
Transaxle

BU800

03-02-2015

Part List ID
BU80014

15



Transaxle

BU800

03-02-2015

Part List ID
BU80014

16

Pos	Part no.	Qty	Description
1	52804A	1	MOTOR-TRANSAXLE
2	52803A	2	BRUSH-CARBON SINGLE
3	56315379	2	MOUNTING SLEEVE NEOPRENE
NS	52801A	1	COUPLER-MOTOR DRIVE

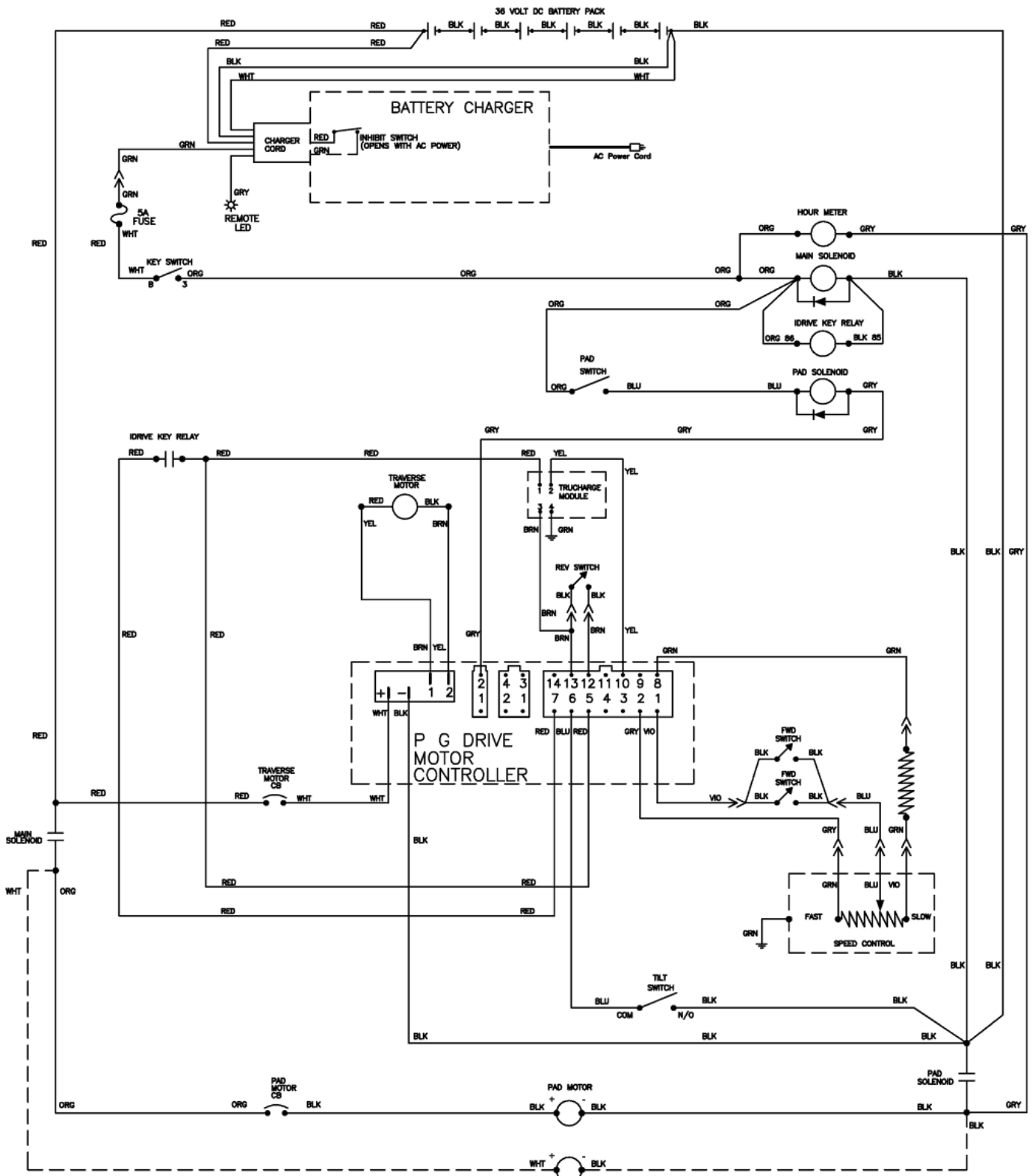
Ladder diagram

BU800

03-02-2015

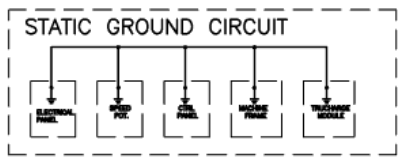
Part List ID BU80016

17



- PENNY & GILES CONTROL CONNECTIONS**
- 1 THROTTLE WIPER
 - 2 THROTTLE HIGH
 - 3 AUX 2 OUT
 - 4 SLOW/FAST SWT
 - 5 KEY SW
 - 6 INHIBIT 1 PROGRAM TO INHIBIT TRAV AND PAD WHEN TILT SWITCH IS CLOSED
 - 7 FUSED 36V OUT
 - 8 THROTTLE LOW
 - 9 BELLY SWT
 - 10 STATUS IND.
 - 11 AUX 3 OUT
 - 12 REV SWT
 - 13 0 VOLT
 - 14 INHIBIT 2 CHARGER

OPTION ACTIVE VAC (120VAC OPERATES AT 36VDC)



Ladder diagram

BU800

03-02-2015

Part List ID BU80016

18

Recommended spare parts

BU800

03-02-2015

Part List ID
BU80018

19

No Drawing For Part List

Recommended spare parts

BU800

03-02-2015

Part List ID
BU80018

20

Pos	Part no.	Qty	Description	
1	54195A	1	BAG DUST 10-PACK	NORMAL WEAR
2	56393565	1	SKIRT ASSY	NORMAL WEAR
3	57369A	1	RETAINER PAD BOT HALF ONLY	NORMAL WEAR
4	56383251	4	MOUNT VIBRATION DAMPING	ORDINARY MAINTENANCE
5	56383396	2	CASTER SWIVEL 3.5 SEALED	ORDINARY MAINTENANCE
6	54692A	2	WHEEL 8 TRAVERSE	ORDINARY MAINTENANCE
7	56407500	1	BRUSH ASSEMBLY KIT	ORDINARY MAINTENANCE
8	41066A	1	MOTOR 2 HP 36V 1500 RPM	ORDINARY MAINTENANCE
9	56925A	1	PAD DRIVER	ORDINARY MAINTENANCE
10	52804A	1	MOTOR-TRANSAXLE	ORDINARY MAINTENANCE
11	56315379	2	MOUNTING SLEEVE NEOPRENE	EXTRAORDINARY MAINTENANCE
12	52803A	2	BRUSH-CARBON SINGLE	EXTRAORDINARY MAINTENANCE
13	41043A	1	TRANSAXLE 36V	EXTRAORDINARY MAINTENANCE
14	41036A	1	CHARGER BATTERY 36V 21A	EXTRAORDINARY MAINTENANCE
15	40786A	1	SWITCH KEY HOBBS FOCUS WB	EXTRAORDINARY MAINTENANCE
16	47381B	1	SWITCH DPDT 15A 3/4 HP NL RKR	EXTRAORDINARY MAINTENANCE
17	41008A	1	METER TRUCHARGE	EXTRAORDINARY MAINTENANCE
18	11178A	2	SWITCH HANDLE ASSY	EXTRAORDINARY MAINTENANCE
19	40750A	1	HARNESS WIRING POT DLX	EXTRAORDINARY MAINTENANCE
20	71424A	1	LABEL CONTROL PANEL ADV 20BT	EXTRAORDINARY MAINTENANCE
21	41801A	2	CONTACTOR 36V	EXTRAORDINARY MAINTENANCE
22	41042A	1	CONTROLLER I DRIVE 36V	EXTRAORDINARY MAINTENANCE
23	56383487	1	SWITCH-TILT	EXTRAORDINARY MAINTENANCE
24	41007A	1	RELAY TRAVERSE POWER	EXTRAORDINARY MAINTENANCE
25	56393722	1	CIRCUIT BREAKER 70A	EXTRAORDINARY MAINTENANCE
26	41448B	1	BREAKER CIRCUIT 30A SCR.90 DEG	EXTRAORDINARY MAINTENANCE

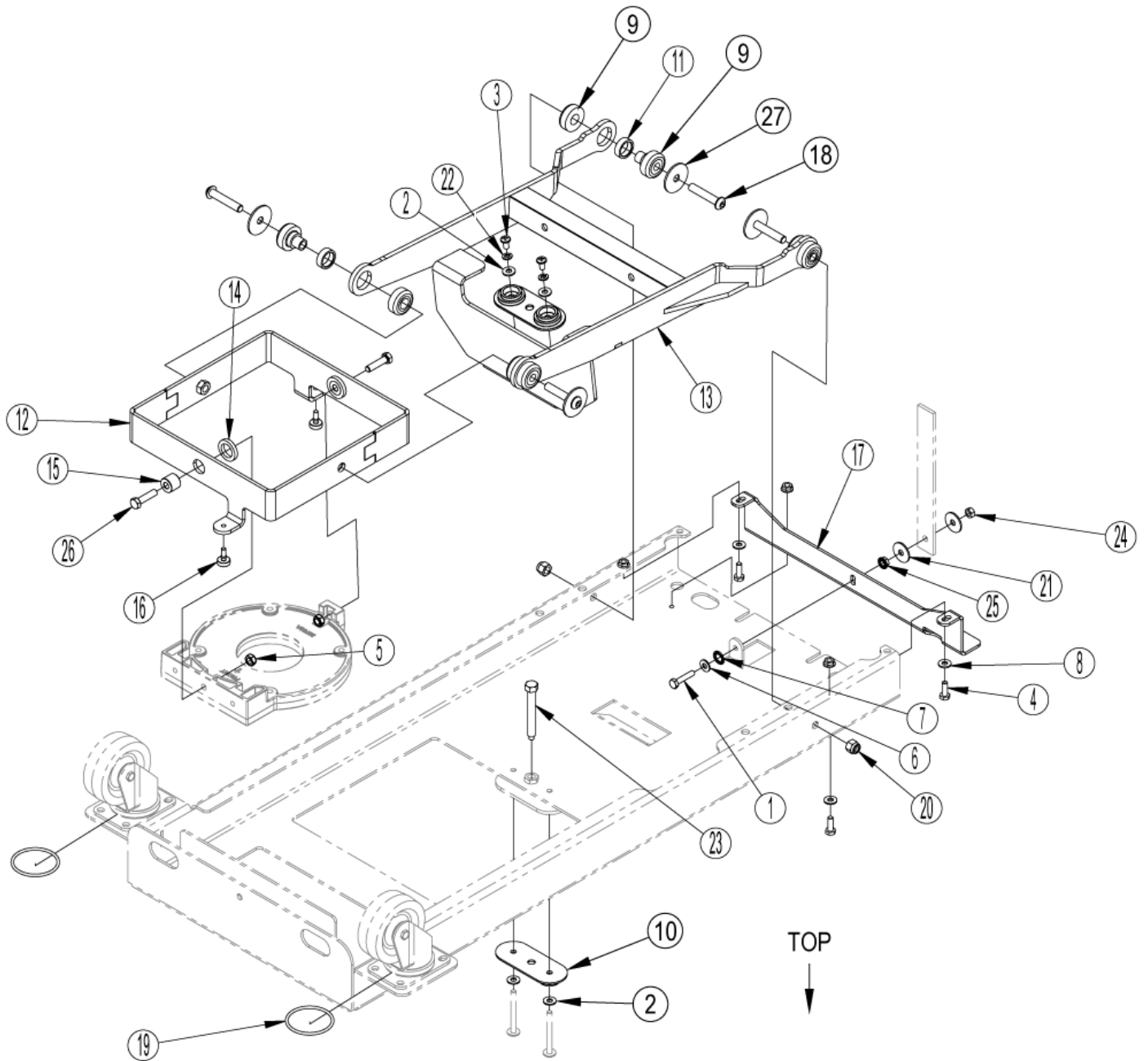
BURNISHER ANTI-VIBRATION KIT

BU800

03-02-2015

Part List ID
IS56090160

21



BURNISHER ANTI-VIBRATION KIT

BU800

03-02-2015

Part List ID
IS56090160

22

Pos	Part no.	Qty	Description
0	56383233	1	KIT-BURNISHER ANTI-VIBRATION
1	56001878	1	SCR HEX 1/4 20 X 1.25
2	56002098	4	WSH FLT SAE 1/4
3	56109766	2	SCREW BUTTON HEAD 1/4-20 X .63
4	56002155	4	SCR HEX 1/4-20 X .75
5	56002826	2	NUT HEX NYL LOC-THIN 5/16-18
6	56002859	1	WSH FLT SAE SS 1/4
7	56003859	1	WASH-SERRATED EXT SS M10
8	56009064	4	WSH INT SHPRF 1/4
9	56383251	4	MOUNT VIBRATION DAMPING
10	56383203	2	SEAT SOFT SPRING
11	56383205	4	SPACER STEEL
12	56383206	1	MOTOR MOUNT WELDMENT
13	56383212	1	HEAD LIFT WELDMENT 20/24
14	56383218	2	WASHER RUBBER
15	56383219	2	SPACER
16	56383224	2	BUMPER BUTTON
18	56383250	4	SCR BUTTON SOC 3/8-16 X 2.00
20	920342	2	NUT LK 3/8-16 REG
21	980205	2	WASHER .312 ID/1.06 OD/.075THK
22	980657	2	WASHER LOCK 1/4 STD
23	56382846	1	SCREW HEAD PRESSURE ADJ
24	81104A	1	NUT 1/4 20 ESNA TYPE SS
25	81220A	5	NUTHEX SERRATED FLANGE1/4-20
26	85814A	2	SCREW 5/16-18 X 1 1/4 HX HD
27	56383253	4	WASHER SNUBBING