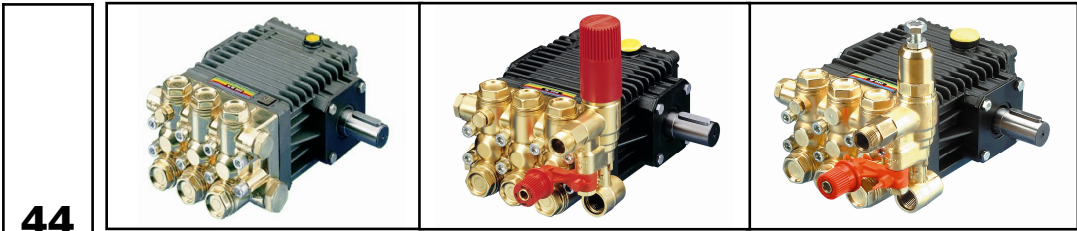




# INTERPUMPGROUP

I GB	ISTRUZIONI D'USO INSTRUCTIONS FOR USE	F D	MODE D'EMPLOI BEDIENUNGSANLEITUNG	E P	INSTRUCCIONES DE USO INSTRUÇÕES DE USO
---------	--	--------	--------------------------------------	--------	---

Questo manuale deve essere letto e compreso in accordo al libretto generico "Istruzioni d'uso e manutenzione".  
 This manual must be read and followed in accordance with the generic "Instructions for Use and Maintenance" booklet.  
 Ce manuel doit être lu et compris en accord avec la notice générale " Mode d'emploi et d'entretien ".  
 Dieses Handbuch ist in Verbindung mit dem allgemeinen Handbuch " Gebrauchs- und Wartungsanleitung " zu lesen und zu verstehen.  
 Este manual debe leerse y comprenderse de acuerdo con el manual general "Instrucciones de uso y mantenimiento"  
 Este manual deve ser lido e interpretado de acordo com o livro genérico "Instruções de uso e manutenção"



## 44

Modello Model Modèle Modell Modelo	Portata Flow rate Débit Förderstrom Caudal Fluxo		Pressione Pressure Pression Druck Presión Pressão			g/m rpm t/m upm r/m r/m	Potenza Power Puissance Leistung Potencia Poder		Peso Weight Poids Gewicht Peso Peso		
	L/min	gpm	bar	MPa	psi		Hp	kW	Kg	Ibs	
W150	8	2.11	150	15	2175	1450	3.0	2.20	7.9	17.4	0.4
W130	9.5	2.11	130	13	1885	1450	3.0	2.20	7.9	17.4	0.4
W130HH	9.5	2.11	130	13	1885	1450	3.0	2.20	7.9	17.4	0.4
W170	9.5	2.50	170	17	2465	1450	4.0	2.94	7.9	17.4	0.4
W112	12	2.50	100	10	1450	1450	3.0	2.20	7.7	17.0	0.4
W140	12	3.17	140	14	2030	1450	4.0	2.94	7.7	17.0	0.4
W140HH	12	3.17	140	14	2030	1450	4.0	2.94	7.7	17.0	0.4
W200	12	3.17	200	20	2900	1450	6.0	4.41	7.7	17.0	0.4
W97	14	3.69	90	9	1300	1450	3.0	2.20	7.7	17.0	0.4
W124	14	3.69	120	12	1750	1450	4.0	2.94	7.7	17.0	0.4
W154	14	3.69	150	15	2175	1450	5.5	4.04	7.7	17.0	0.4
W154HH	14	3.69	150	15	2175	1450	5.5	4.04	7.7	17.0	0.4
W204	14	3.69	200	20	2900	1450	7.3	5.37	7.7	17.0	0.4
W950	9.5	2.50	165	16.5	2400	1750	4.0	2.94	7.9	17.4	0.4
W951	11.5	3.04	103	10.3	1500	1750	3.0	2.20	7.9	17.4	0.4
W952	11.5	3.04	138	13.8	2000	1750	4.0	2.94	7.9	17.4	0.4
W953	11.5	3.04	172	17.2	2500	1750	5.0	3.67	7.9	17.4	0.4
W954	13.6	3.60	90	9	1300	1750	3.0	2.20	7.7	17.0	0.4
W955	13.6	3.60	117	11.7	1700	1750	4.0	2.94	7.7	17.0	0.4
W956	13.6	3.60	145	14.5	2100	1750	5.0	3.67	7.7	17.0	0.4
W14200	13.6	3.60	200	20	2900	1750	7.0	5.14	7.7	17.0	0.4
W957	15.9	4.20	76	7.6	1100	1750	3.0	2.20	7.7	17.0	0.4
W958	15.9	4.20	96	9.6	1400	1750	4.0	2.94	7.7	17.0	0.4
W959	15.9	4.20	124	12.4	1800	1750	5.0	3.67	7.7	17.0	0.4
W16180	15.9	4.20	180	18	2610	1750	7.5	5.51	7.7	17.0	0.4

# SERIES



**44**
**Modello  
Model  
Modèle  
Modell  
Modelo  
Modelo**
**Portata  
Flow rate  
Débit  
Förderstrom  
Caudal  
Fluxo**
**Pressione  
Pressure  
Pression  
Druck  
Presión  
Pressão**
**g/m  
rpm  
t/m  
upm  
r/m  
r/m**
**Potenza  
Power  
Puissance  
Leistung  
Potencia  
Poder**
**Peso  
Weight  
Poids  
Gewicht  
Peso  
Peso**


L/min

gpm

bar

MPa

psi

Hp

kW

Kg

lbs

Lt.

**S  
E  
R  
I  
E  
S**

WW186

13

3.43

180

18

2610

2800

5.5

4.04

7.9

17.4

0.4

WW206

13

3.43

200

20

2900

2800

7.5

5.51

7.9

17.4

0.4

WW116

15

3.96

110

11

1600

2800

4.0

2.94

7.9

17.4

0.4

WW156

15

3.96

150

15

2175

2800

5.5

4.04

7.9

17.4

0.4

WW209

15

3.96

200

20

2900

2800

7.5

5.51

7.9

17.4

0.4

WW189

16

4.22

180

18

2610

2800

7.5

5.51

7.9

17.4

0.4

WW136

17

4.50

130

13

1885

2800

5.5

4.04

7.9

17.4

0.4

WW176

17

4.50

170

17

2465

2800

7.5

5.51

7.9

17.4

0.4

WW963

11

2.90

250

25

3600

3400

7.5

5.51

8.7

19.2

0.4

WW964

13

3.43

250

25

3600

3400

8.5

6.25

8.7

19.2

0.4

WW960

13.2

3.48

172

17.2

2500

3400

5.5

4.04

8.7

19.2

0.4

WW961

15

3.96

172

17.2

2500

3400

6.5

4.77

8.7

19.2

0.4

WW965

15

3.96

250

25

3600

3400

10

7.35

8.7

19.2

0.4

WW962

17.4

4.60

172

17.2

2500

3400

7.5

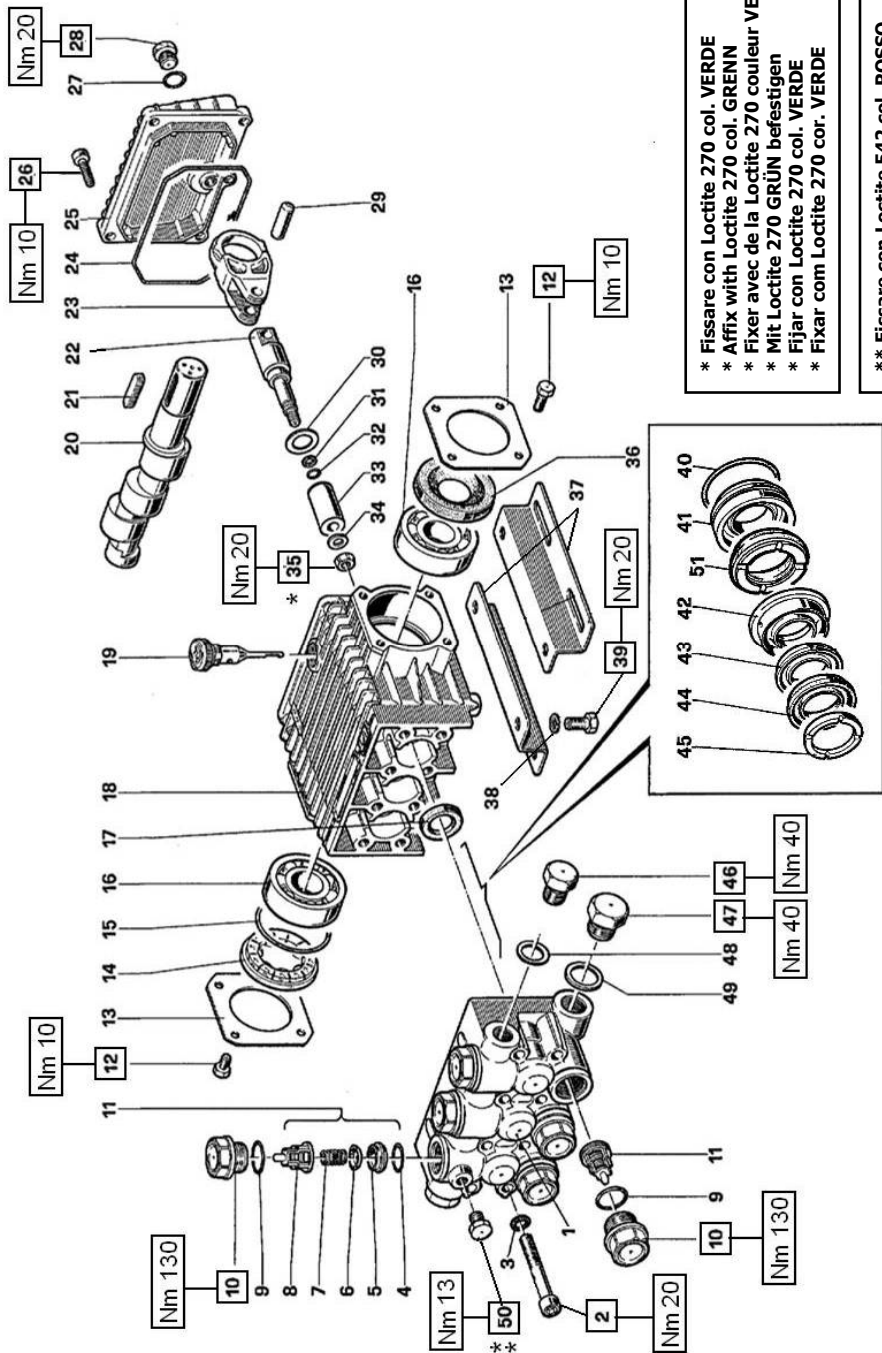
5.51

8.7

19.2

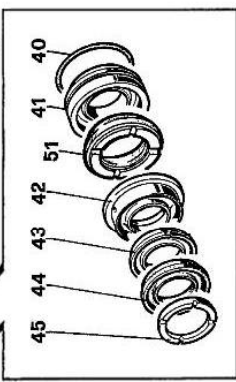
0.4





\* Fissare con Loctite 270 col. VERDE  
 \* Affix with Loctite 270 col. GREEN  
 \* Fixer avec de la Loctite 270 couleur VERT  
 \* Mit Loctite 270 GRÜN befestigen  
 \* Fijar con Loctite 270 col. VERDE  
 \* Fixar com Loctite 270 cor. VERDE

\*\* Fissare con Loctite 542 col. ROSSO  
 \*\* Affix with Loctite 542 col. RED  
 \*\* Fixer avec de la Loctite 542 couleur ROUGE  
 \*\* Mit Loctite 542 ROT befestigen  
 \*\* Fijar con Loctite 542 col. ROJO  
 \*\* Fixar com Loctite 542 cor. VERMELHA



**KIT RICAMBI – SPARE KITS****OTTONI  
BRASS****NICKEL****PISTONE- PISTON Ø15****PISTONE- PISTON Ø18**

KIT Nr.	KIT 23	KIT 123	KIT 124	KIT 158	KIT 88	KIT 89	KIT 90	KIT 125	KIT 130	KIT 126	KIT 127	KIT 128	KIT 129	KIT 131
Posizioni incluse Positions included	17	4-5 6-7 8-(11)	9-10	9-10	43-44 51	42	45	40-41	40-41 42-43 44-45 51	40-41 42-43 44-45 51	43-44 51	42	45	40-41 42-43 44-45 51
Nr. Pcs.	3	6	6	6	3	3	6	3	1	3	3	3	6	1

**W97 - W112 - W124 - W130**  
**W140 - W150 - W154 - W170**  
**W200 - W204 - W950 - W951**  
**W952 - W953 - W954 - W955**  
**W956 - W957 - W958 - W959**  
**W14200 - W16180 - WW116**  
**WW136 - WW156 - WW476**  
**WW186 - WW189 - WW206**  
**WWW209 - WW960 - WW961**  
**WW962**

**PISTONE – PISTON  
Ø18**

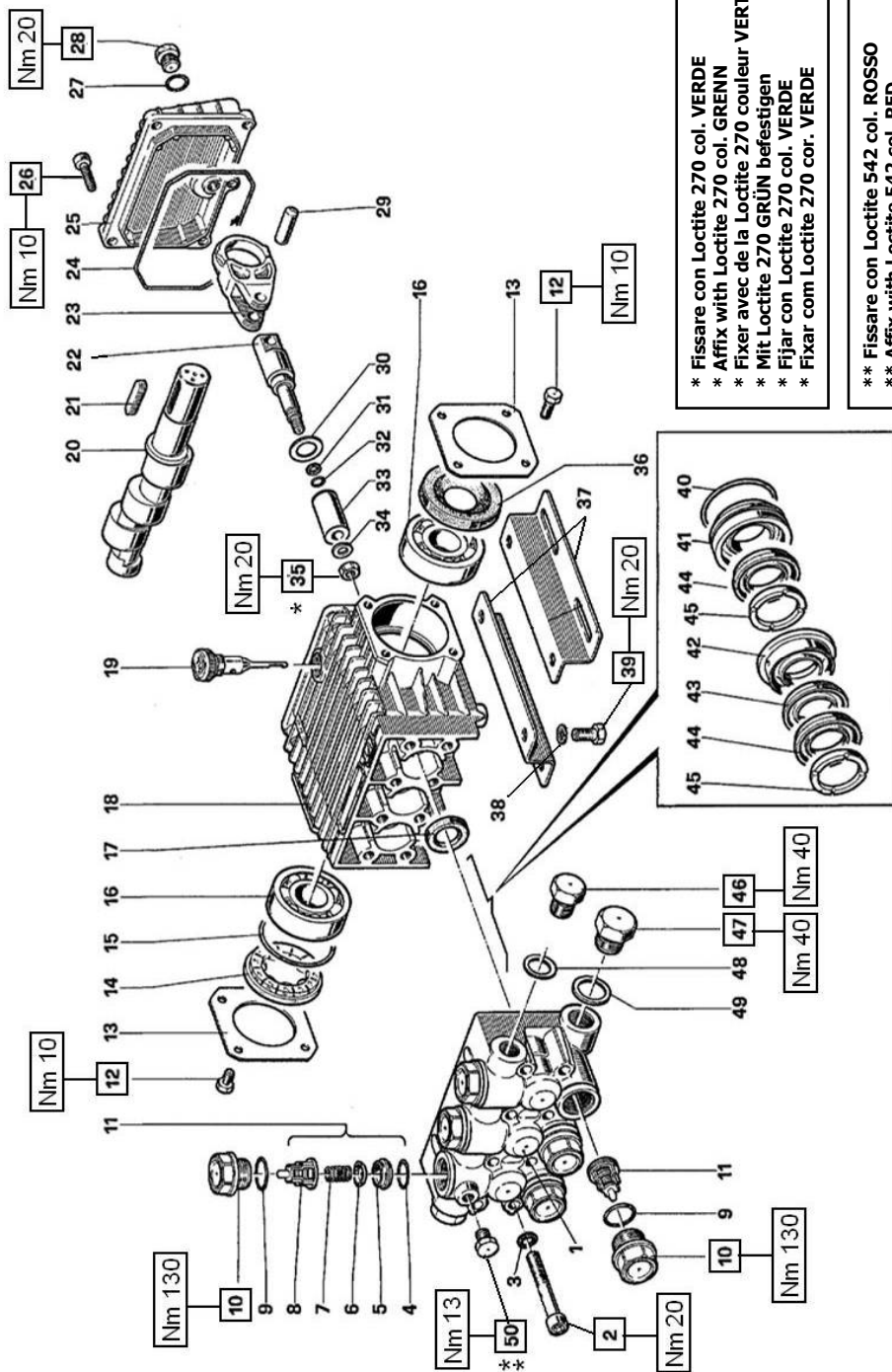
OTTONI BRASS	PISTONE – PISTON Ø15	PISTONE – PISTON Ø18
	W130 - W150 - W170 W950 - W951 - W952 W953 - WW116 - WW136 WW176 - WW186 - WW189 - WW206 WW209 - WW960 - WW961 - WW962	W97 - W112 - W124 W140 - W154 - W954 W955 - W956 - W957 W958 - W959
<b>NICKEL</b>	W200 - W204 W14200 - W16180	

**PISTONE – PISTON  
Ø18**

POS	COD.	DESCRIZIONE – DESCRIPTION - KIT	NR
1	44.1200.41 44.1200.41 44.1207.41	Testata Ø 15 Testata Ø 18 Testata Ø 18 - NICKEL	1
2	99.3175.00	Vite M8x60 UNI 5931	8
3	96.7014.00	Rosetta Ø 8.4x13x0.8	8
4	90.3841.00	OR Ø 17.13x2.62 (3068)	123
5	36.2003.66	Sede valvola	123
6	36.2001.76	Valvola	123
7	94.7376.00	Molla Ø 9.4x14.8	123
8	36.2025.51	Guida valvola	123
9	90.3847.00	OR Ø 20.24x2.62 (3081) 90 Sh. 124-158	6
10	98.2226.00 98.2225.00	Tappo M24x1.5x17 Tappo M24x1.5x17 - NICKEL	124 158
11	36.7115.01	Gruppo valvola aspiraz./mand.	123
12	99.1807.00	Vite M6x10 UNI 5739	8

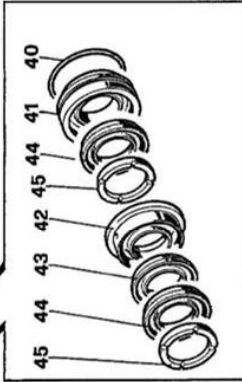
POS	COD.	DESCRIZIONE – DESCRIPTION - KIT	NR
13	50.1500.74	Coperchio carter	2
14	44.2118.01	Distanziale con indicatore	1
15	90.4097.00	OR Ø 55.56x3.53 (159)	1
16	91.8331.00	Cuscinetto a sfere 6305 – Spec.	2
17	90.1614.00	Anello rad. Ø 20x30x5	23
18	44.0100.22	Carter pompa	1
19	98.2103.00	Tappo carico olio G 3/8"	1
20	44.0205.35 44.0206.35	Albero C.9.5 - WW186 WW206 Albero C.11 - W112 W140 W150 W950 W954 W955 W956 WW116 WW156 WW209 WW200 W14200 Albero C.12 - WW189 Albero C.13 - W97 W124 W130 W154 W170 W951 W952 W953 W957 W958 W959 WW136 WW176 W244 W16180	1
21	91.4892.00	Linguetta 8x7x35 UNI 6604	1
22	44.0500.66	Guida pistone	3
23	44.0300.22	Biella	3
24	90.3920.00	OR Ø 101.27x2.62 (3400)	1
25	44.1600.22	Coperchio posteriore	1
26	99.1837.00	Vite M6x14 UNI 5931	5
27	90.3585.00	OR Ø 10.82x1.78 (2043)	1
28	98.2042.50	Tappo G 1/4"x9 TE17 - Zinc.	1
29	97.7340.00	Spinotto Ø 10x29.5	3
30	96.7350.00	Rosetta Ø 16x27x1.7/0.7	3
31	90.5022.00	Anello antiest. Ø 6.2x9x1.5	3

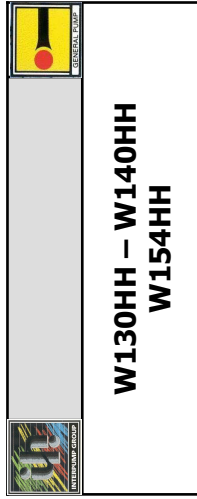
POS	COD.	DESCRIZIONE – DESCRIPTION - KIT	NR
32	90.3572.00	OR Ø 5.28x1.78 (2021) - Spec.	3
33	52.0400.09 44.0401.09	Pistone Ø 15 Pistone Ø 18	3
34	44.2115.70	Rosetta Ø 8 con collare	3
35	92.2216.00	Dado M8x13x5 - INOX	3
36	90.1641.00	Anello rad. Ø 25x62x10	1
37	50.2000.74	Piedino	2
38	96.7016.00	Rosetta Ø 8.4 UNI 1751	4
39	99.3037.00	Vite M8x16 UNI 5739	4
40	90.3612.00	OR Ø 31.47x1.78 (2125)	125-126 130-131
41	44.0800.70 44.0801.70	Anello di fondo Ø 15 Anello di fondo Ø 18	125-130 126-131
42	52.2166.70 44.2161.70	Anello intermedio Ø 15 Anello intermedio Ø 18	89-130 128-131
43	90.2622.00 90.2683.00	Anello RESTOP Ø 15 Anello RESTOP Ø 18	88-130 127-131
44	90.2620.00 90.2682.00	Anello tenuta Ø 15 HP Anello tenuta Ø 18 HP	88-130 127-131
45	51.1000.51 44.1001.51	Anello di testa Ø 15 Anello di testa Ø 18	90-130 129-131
46	98.2100.00	Tappo G 3/8"x13	1
47	98.2176.00	Tappo G 1/2"x10	1
48	96.7380.00	Rosetta Ø 17.5x23x1.5	1
49	96.7514.00	Rosetta Ø 21.5x27x1.5	1
50	98.1966.00	Tappo G 1/8"x8	1
51	90.2617.00 90.2684.00	Anello tenuta Ø 15 LP Anello tenuta Ø 18 LP	88-130 127-131



\* Fissare con Loctite 270 col. VERDE  
 \* Affix with Loctite 270 col. GREEN  
 \* Fixer avec de la Loctite 270 couleur VERT  
 \* Mit Loctite 270 GRÜN befestigen  
 \* Fijar con Loctite 270 col. VERDE  
 \* Fixar com Loctite 270 cor. VERDE

\*\* Fissare con Loctite 542 col. ROSSO  
 \*\* Affix with Loctite 542 col. RED  
 \*\* Fixer avec de la Loctite 542 couleur ROUGE  
 \*\* Mit Loctite 542 ROT befestigen  
 \*\* Fijar con Loctite 542 col. ROJO  
 \*\* Fixar com Loctite 542 cor. VERMELHA





# W130HH – W140HH W154HH

PISTONE – PISTON - Ø15		PISTONE – PISTON - Ø18	
<b>W130HH</b>		<b>W140HH - W154HH</b>	

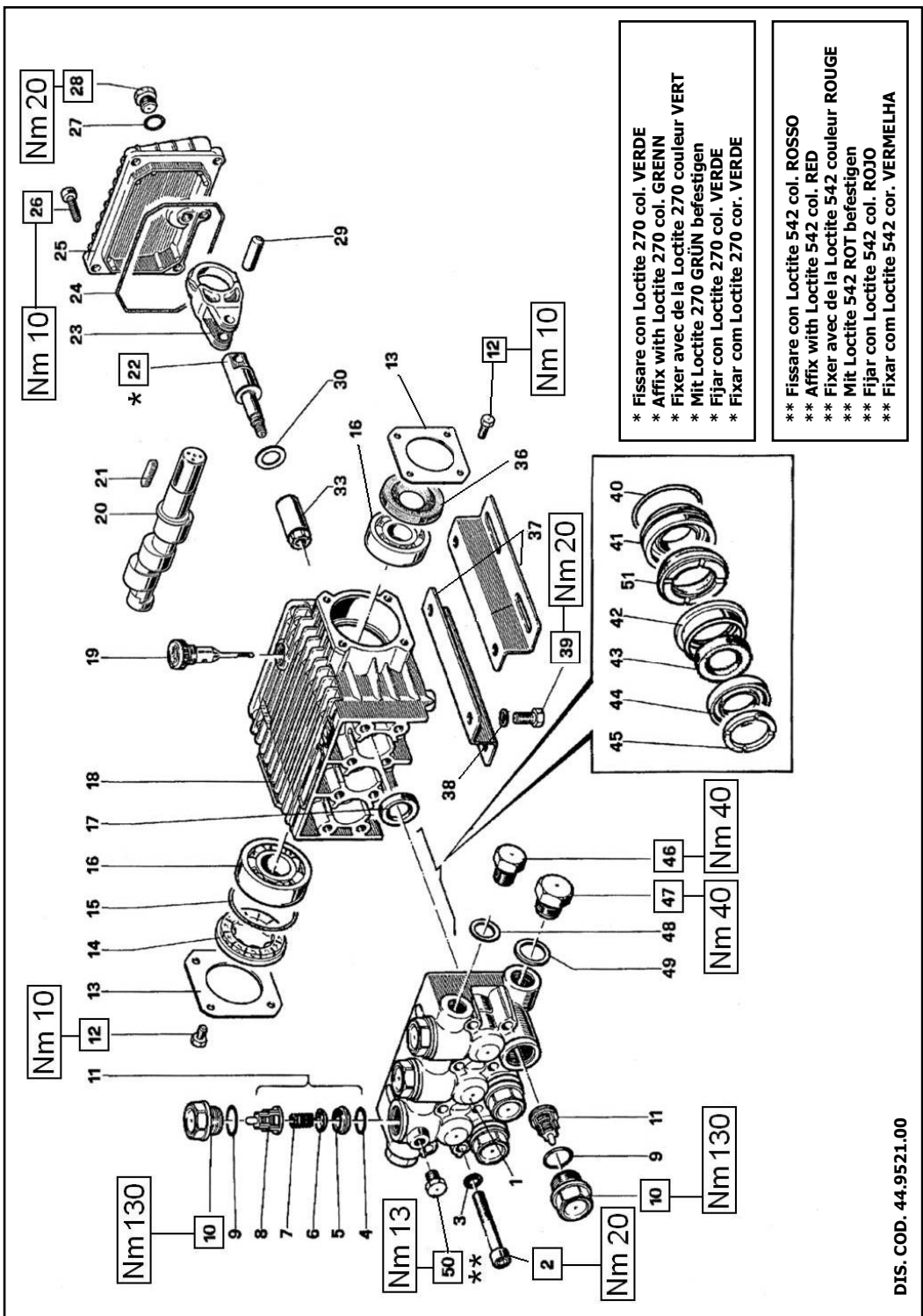
POS	COD.	DESCRIZIONE – DESCRIPTION - KIT	NR
1	44.1200.41 44.1204.41	Testata Ø 15 Testata Ø 18	1
2	99.3175.00	Vite M8x60 UNI 5931	8
3	96.7014.00	Rosetta Ø 8,4x13x0,8	8
4	90.3841.00	OR Ø 17.13x2.62 (3068)	123
5	36.2003.66	Sede valvola	123
6	36.2001.76	Valvola	123
7	94.7376.00	Molla Ø 9,4x14,8	123
8	36.2025.51	Guida valvola	123
9	90.3847.00	OR Ø 20.24x2.62 (3081) 90 Sh.	124
10	98.2226.00	Tappo M24x1.5x17	124
11	36.7115.01	Gruppo valvola aspiraz./mand.	123
12	99.1807.00	Vite M6x10 UNI 5739	8
13	50.1500.74	Coperchio carter	2
14	44.2118.01	Distanziale con indicatore	1
15	90.4097.00	OR Ø 55.56x3.53 (159)	1
16	91.8331.00	Cuscinetto a sfere 6305 – Spec.	2
17	90.1614.00	Anello rad. Ø 20x30x5	23
18	44.0100.22	Carter pompa	1

## KIT RICAMBI – SPARE KITS

KIT Nr.	PISTONE - PISTON Ø15					PISTONE - PISTON Ø18					
	KIT 23	KIT 123	KIT 124	KIT 250	KIT 89	KIT 90	KIT 125	KIT 126	KIT 251	KIT 128	KIT 129
Posizioni incluse Positions included	17	4 – 5 6 – 7 8 – (11)	9 – 10	43 – 44	42	45	40 – 41	40 – 41	43 – 44	42	45
Nr. Pcs.	3	6	6	3÷6	3	6	3	3	3÷6	3	6

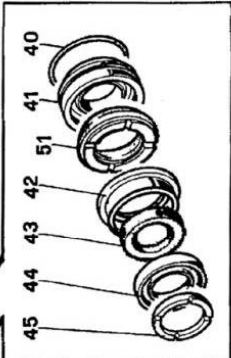
POS	COD.	DESCRIZIONE – DESCRIPTION - KIT	NR
40	90.3612.00	OR Ø 31.47x1.78 (2125)	125-126
41	44.0800.70 44.0801.70	Anello di fondo Ø 15 Anello di fondo Ø 18	125 126
42	52.2166.70 44.2161.70	Anello intermedio Ø 15 Anello intermedio Ø 18	89 128
43	90.2622.00 90.2683.00	Anello RESTOP Ø 15 Anello RESTOP Ø 18	250 251
44	90.2620.00 90.2682.00	Anello tenuta Ø 15 HP Anello tenuta Ø 18 HP	250 251
45	51.1000.51 44.1001.51	Anello di testa Ø 15 Anello di testa Ø 18	90 129
46	98.2100.00	Tappo G 3/8"x13	1
47	98.2176.00	Tappo G 1/2"x10	1
48	96.7380.00	Rosetta Ø 17.5x23x1.5	1
49	96.7514.00	Rosetta Ø 21.5x27x1.5	1
50	98.1966.00	Tappo G 1/8"x8	1

POS	COD.	DESCRIZIONE – DESCRIPTION - KIT	NR
19	98.2103.00	Tappo carico olio G 3/8"	1
20	44.0203.35 44.0206.35	Albero C.11 – W1.40HH Albero C.13 – W1.30HH W154HH	1
21	91.4892.00	Linguetta 8x7x35 UNI 6604	1
22	44.0500.66	Guida pistone	3
23	44.0300.22	Bliella	3
24	90.3920.00	OR Ø 101.27x2.62 (3400)	1
25	44.1600.22	Coperchio posteriore	1
26	99.1837.00	Vite M6x14 UNI 5931	5
27	90.3585.00	OR Ø 10.82x1.78 (2043)	1
28	98.2042.50	Tappo G 1/4"x9 TE17 – Zinc.	1
29	97.7340.00	Spinotto Ø 10x29.5	3
30	96.7350.00	Rosetta Ø 16x27x1.7/0.7	3
31	90.5022.00	Anello antiest. Ø 6.2x9x1.5	3
32	90.3572.00	OR Ø 5.28x1.78 (2021) – Spec.	3
33	52.0400.09 44.0401.09	Pistone Ø 15 Pistone Ø 18	3
34	44.2115.70	Rosetta Ø 8 con collare	3
35	92.2216.00	Dado M8x13x5 – INOX	3
36	90.1641.00	Anello rad. Ø 25x62x10	1
37	50.2000.74	Piedino	2
38	96.7016.00	Rosetta Ø 8.4 UNI 1751	4
39	99.3037.00	Vite M8x16 UNI 5739	4



\* Fissare con Loctite 270 col. VERDE  
 \* Affix with Loctite 270 col. GREEN  
 \* Fixer avec de la Loctite 270 couleur VERT  
 \* Mit Loctite 270 GRÜN befestigen  
 \* Fijar con Loctite 270 col. VERDE  
 \* Fixar com Loctite 270 cor. VERDE

\*\* Fissare con Loctite 542 col. ROSSO  
 \*\* Affix with Loctite 542 col. RED  
 \*\* Fixer avec de la Loctite 542 couleur ROUGE  
 \*\* Mit Loctite 542 ROT befestigen  
 \*\* Fijar con Loctite 542 col. ROJO  
 \*\* Fixar com Loctite 542 cor. VERMELHA





# WW963 – WW964 – WW965

POS	COD.	DESCRIZIONE – DESCRIPTION - KIT	NR
1	44.1208.41	Testata Ø 13 - NICKEL	1
2	99.3175.00	Vite M8x60 UNI 5931	8
3	96.7014.00	Rosetta Ø 8.4x13x0.8	8
4	90.3841.00	OR Ø 17.13x2.62 (3068)	123
5	36.2003.66	Sede valvola	123
6	36.2001.76	Valvola	123
7	94.7376.00	Molla Ø 9.4x14.8	123
8	36.2025.51	Guida valvola	123
9	90.3847.00	OR Ø 20.24x2.62 (3081) 90 Sh.	158
10	98.2225.00	Tappo M24x1.5x17 - NICKEL	158
11	36.7115.01	Gruppo valvola aspiraz./mand.	123
12	99.1807.00	Vite M6x10 UNI 5739	8
13	50.1500.74	Coperchio carter	2
14	44.2118.01	Distanziale con indicatore	1
15	90.4097.00	OR Ø 55.56x3.53 (159)	1
16	91.8331.00	Cuscinetto a sfere 6305 – Spec.	2
17	90.1614.00	Anello rad. Ø 20x30x5	23
18	44.0100.22	Carter pompa	1
19	98.2103.00	Tappo carico olio G 3/8"	1
20	44.0200.35 44.0203.35 44.0206.35	Albero C.9.5 – WW963 Albero C.11 – WW964 Albero C.13 – WW965	1
21	91.4892.00	Linguetta 8x7x35 UNI 6604	1

POS	COD.	DESCRIZIONE – DESCRIPTION - KIT	NR
22	44.0501.66	Guida pistone	3
23	44.0300.22	Biellea	3
24	90.3920.00	OR Ø 101.27x2.62 (3400)	1
25	44.1600.22	Coperchio posteriore	1
26	99.1837.00	Vite M6x14 UNI 5931	5
27	90.3585.00	OR Ø 10.82x1.78 (2043)	1
28	98.2042.50	Tappo G 1/4"x9 TE17 – Zinc.	1
29	97.7340.00	Spinotto Ø 10x29.5	3
30	96.6967.00	Rosetta Ø 7.1x28x0.5	3
33	44.0402.66	Pistone Ø 13	3
36	90.1641.00	Anello rad. Ø 25x62x10	1
37	50.2000.74	Piedino	2
38	96.7016.00	Rosetta Ø 8.4 UNI 1751	4
39	99.3037.00	Vite M8x16 UNI 5739	4
40	90.3612.00	OR Ø 31.47x1.78 (2125)	3
41	44.0803.70	Anello di fondo Ø 13	3
42	52.2162.70	Anello intermedio Ø 13	3
43	90.5076.00	Anello antiest. Ø 13x17x2	3
44	90.2602.00	Anello tenuta Ø 13 HP	3
45	44.1002.51	Anello di testa Ø 13	3
46	98.2100.00	Tappo G 3/8"x13	1
47	98.2176.00	Tappo G 1/2"x10	1

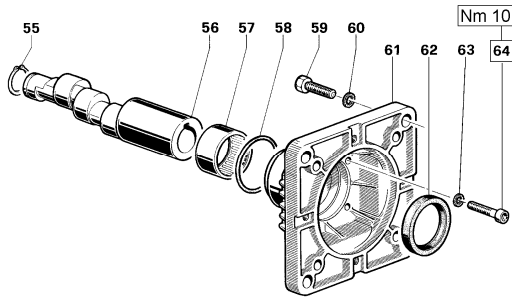
POS	COD.	DESCRIZIONE – DESCRIPTION - KIT	NR
48	96.7380.00	Rosetta Ø 17.5x23x1.5	1
49	96.7514.00	Rosetta Ø 21.5x27x1.5	1
50	98.1967.00	Tappo G 1/8"x8 - NICKEL	1
51	90.2603.00	Anello tenuta Ø 13 LP	153-156

## KIT RICAMBI – SPARE KITS

KIT Nr.	KIT 23	KIT 123	KIT 152	KIT 153	KIT 154	KIT 155	KIT 156	KIT 158
Posizioni Include Positions Included	17	4-5 6-7 8-(11)	40-41	43-44 51	42	45	40-41 42-43 44-45 51	9-10
Nr. Pcs.	3	6	3	3	3	6	3	6

## VERSION A (for electric motors NEMA 184 TC)

**W950 – W951 – W952 – W953 - W954  
W955 – W956 – W957 – W958 – W959  
W14200 – W16180 - WW964 – WW965**

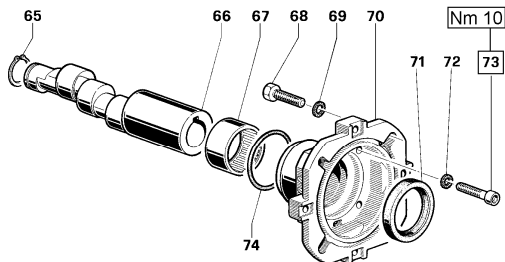


DIS. COD. 44.9501.00

POS	COD.	DESCRIZIONE - DESCRIPTION	NR
55	90.0635.00	Anello di fermo Ø 25	1
56	44.0214.65	Albero - W950-W954-W955-W956 W14200	1
	44.0216.65	Albero - W951-W952-W953-W957 W958-W959-W16180	1
57	91.8568.00	Boccola a rullini	1
58	90.4097.00	OR Ø 55.56x3.53 (159)	1
59	99.4600.00	Vite 1/2"-13x1- 1/4"	4
60	96.7195.00	Rosetta Ø 13x18x1.1	4
61	10.0504.22	Flangia per motore elettrico	1
62	90.1690.00	Anello rad. Ø 45x62x8	1
63	96.6938.00	Rosetta Ø 6.4x10x0.7	4
64	99.1912.00	Vite M6x30 UNI 5931	4

## VERSION B (for electric motors IEC 100-112 B14)

**W97 – W112 – W124 – W130 – W130HH  
W140 – W140HH - W150 – W154  
W154HH – W170 – W200 – W204  
WW116- WW136 – WW156 – WW176  
WW186 - WW206 – WW209**

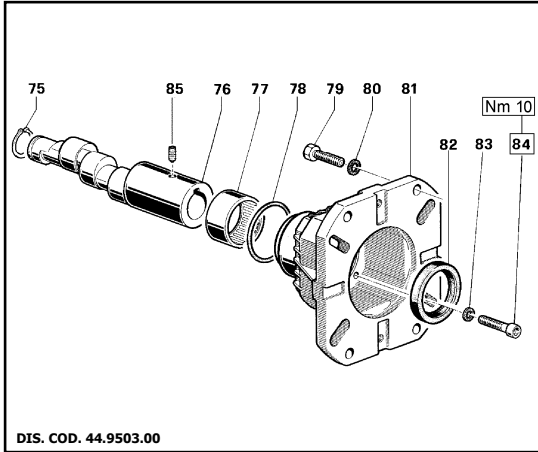


DIS. COD. 44.9502.00

POS	COD.	DESCRIZIONE - DESCRIPTION	NR
65	90.0635.00	Anello di fermo Ø 25	1
66	44.0213.65	Albero - W112-W140-W150-WW116 WW156-WW209-W200	1
	44.0215.65	Albero - W97-W124-W130-W154 W170-WW136-WW176-W204	1
	44.0210.65	Albero - WW186-WW206	1
67	91.8568.00	Boccola a rullini	1
68	99.3067.00	Vite M8x25 UNI 5739	4
69	96.7014.00	Rosetta Ø 8.4x13x0.8	4
70	10.0494.22	Flangia per motore elettrico	1
71	90.1690.00	Anello rad. Ø 45x62x8	1
72	96.6938.00	Rosetta Ø 6.4x10x0.7	4
73	99.1912.00	Vite M6x30 UNI 5931	4
74	90.4097.00	OR Ø 55.56x3.53 (159)	1

# VERSION C (for gasoline engines SAE J 609 type B ext.4)

**WW960 – WW961 – WW962  
WW963 - WW964 – WW965**



POS	COD.	DESCRIZIONE - DESCRIPTION	NR
75	90.0635.00	Anello di fermo Ø 25	1
76	44.0220.65	Albero – WW960	1
	44.0209.65	Albero – WW961-WW963	1
	44.0212.65	Albero – WW962-WW964	1
	44.0221.65	Albero – WW965	1
77	91.8568.00	Boccola a rullini	1
78	90.4097.00	OR Ø 55.56x3.53 (159)	1
79	99.2755.00	Vite 5/16"-24x1"	4
	99.3346.00	Vite 3/8"-16x1"-1/4	4
80	96.7020.00	Rosetta Ø 8.4x15x1.5	4
	96.7104.00	Rosetta Ø 10.5x16x1	4
81	10.0518.22	Flangia per motore a scoppio	1
82	90.1690.00	Anello rad. Ø 45x62x8	1
83	96.6938.00	Rosetta Ø 6.4x10x0.7	4
84	99.1912.00	Vite M6x30 UNI 5931	4
85	99.1790.00	Vite M6x6 UNI 5929	1

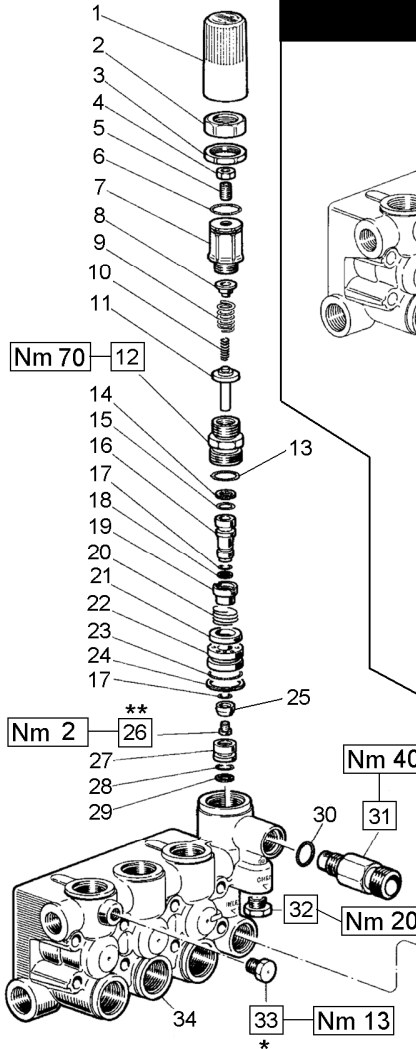
# VH VERSION

VERSIONE CON VALVOLA DI REGOLAZIONE AUT. – VERSION WITH BUILT-IN AUT. UNLOADER  
 VERSION AVEC RÉGULATEUR AUT. DE PRESSION INCORPORÉ  
 AUSFÜHRUNG MIT EINGEBAUTEM AUT. DRUCKREGULIERVENTIL

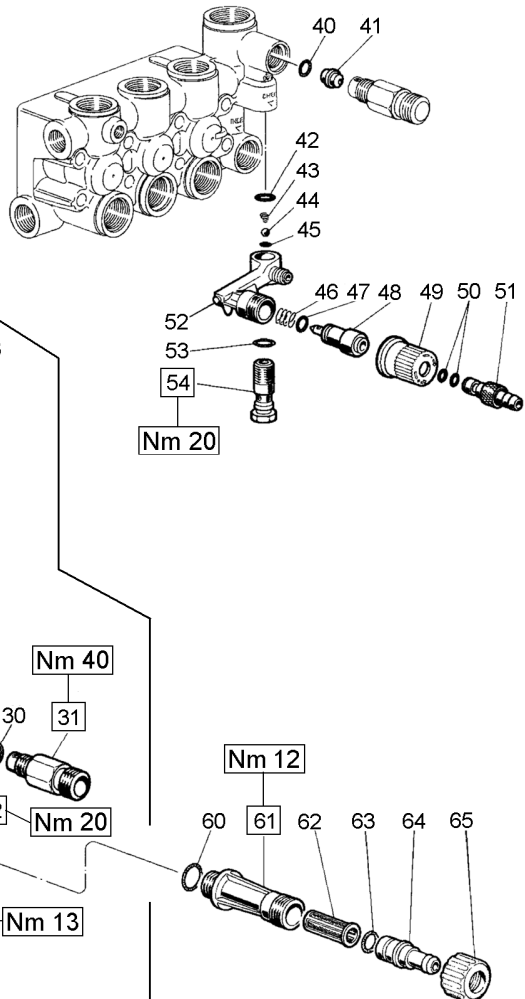
VERSIÓN CON REGULADOR AUT. DE PRESIÓN INCORPORADO - VERSÃO COM VÁLVULA DO REGULAMENTO AUT.

- \* Fissare con Loctite 542 col. ROSSO
- \* Affix with Loctite 542 col. RED
- \* Fixer avec de la Loctite 542 couleur ROUGE
- \* Mit Loctite 542 ROT befestigen
- \* Fijar con Loctite 542 col. ROJO
- \* Fixar com Loctite 542 cor. VERMELHA

- \*\* Fissare con Loctite 270 col. VERDE
- \*\* Affix with Loctite 270 col. GREEN
- \*\* Fixer avec de la Loctite 270 couleur VERT
- \*\* Mit Loctite 270 GRÜN befestigen
- \*\* Fijar con Loctite 270 col. VERDE
- \*\* Fixar com Loctite 270 cor. VERDE



## OPTIONALS



# VH VERSION

**VERSIONE CON VALVOLA DI REGOLAZIONE AUT. – VERSION WITH BUILT-IN AUT. UNLOADER  
VERSION AVEC RÉGULATEUR AUT. DE PRESSION INCORPORÉ  
AUSFÜHRUNG MIT EINGEBAUTEM AUT. DRUCKREGULIERVENTIL  
VERSIÓN CON REGULADOR AUT. DE PRESIÓN INCORPORADO - VERSÃO COM VÁLVULA DO REGULAMENTO AUT.**

POS	COD.	DESCRIZIONE – DESCRIPTION - KIT	N
1	36.3187.51	Pomolo	1
2	36.3186.70	Ghiera – OPTIONAL	1
3	92.2935.00	Dado M28x1.5 - OPTIONAL	1
4	92.2218.00	Dado M8x13 UNI 5589	1
5	99.3054.00	Vite M8x20 UNI 5923	1
6	90.3598.00	OR Ø 20.35x1.78 (2081)	1
7	36.3185.70	Registro pressione	1
8	36.3169.70	Piattello molla	1
9	94.7436.00	Molla Ø 15x35	1
10	94.7345.00	Molla Ø 7.6x29	1
11	36.3233.70	Piattello inferiore molla	1
12	36.3228.70	Boccola di guida	1
13	90.3857.00	OR Ø 23.81x2.62 (132)	1
14	90.5052.00	Anello antiest. Ø 9.6x14x1.5	137 1
15	90.3820.00	OR Ø 9.13x2.62 (109) – Spec.	137 1
16	36.3234.70	Pistoncino di comando	137 1
17	90.3575.00	OR Ø 6.75x1.78 (106) – Spec.	137 2
18	90.5025.00	Anello antiest. Ø 7x10x1.5	137 1
19	36.3230.70	Distanziale	137 1
20	94.7485.00	Molla Ø 18.5x11,5	137 1
21	36.3231.51	Valvola	137 1
22	36.3229.70	Guida valvola	137 1
23	90.3600.00	OR Ø 21.95x1.78 (2087)	137 1
24	90.5144.00	Anello antiest. Ø 22x25x1.5	137 1
25	36.3190.66	Valvola sferica	137 1
26	99.1509.00	Vite M5x0.8x8.5 – INOX	137 1
27	36.3164.66	Sede valvola	137 1
28	90.3822.00	OR Ø 9.92x2.62 (112) – Spec.	137 1
29	90.5065.00	Anello antiest. Ø 10.6x15x2	137 1
30	90.3832.00	OR Ø 13.95x2.62 (3056) – Spec.	94 1
31	10.0078.70 10.0147.70	Nipplo G 3/8" - Ø3 Nipplo M22x1.5 – Ø3	1 1
32	98.2057.00	Tappo M14x1.5	1

33	98.1966.00	Tappo G 1/8"x8	1
34	44.1201.41 44.1205.41	Testata Ø15 Testata Ø18	1 1
OPTIONALS			
POS	COD.	DESCRIZIONE – DESCRIPTION - KIT	N
40	90.3822.00	OR Ø 9.92x2.62 (112) – Spec.	94 1
41	10.0151.66 10.0076.66	Ugello – Nozzle Ø 2 (8÷11 l/min.) Ugello – Nozzle Ø 2.2 (12÷17 l/min.)	1 1
42	90.3582.00	OR Ø 9.25x1.78 (2037)	94 1
43	94.8217.00	Molla conica Ø 4.3/7.3x11	94 1
44	97.4782.00	Sfera Ø 7/32"	94 1
45	90.3572.00	OR Ø 5.28x1.78 (2021) – Spec.	94 1
46	94.7383.00	Molla Ø 9.75x10	94 1
47	90.3580.00	OR Ø 8.73x1.78 (108) – Spec.	94 1
48	36.2564.70	Otturatore	1
49	36.2565.51	Pomolo	1
50	90.3570.00	OR Ø 4.48x1.78 (2018)	94 1
51	36.2566.70	Innesto porta-gomma	1
52	36.3181.51	Corpo dosatore	1
53	90.3585.00	OR Ø 10.82x1.78 (2043)	94 1
54	36.2563.70	Sede valvola	1
60	90.3841.00	OR Ø 17.13x2.62 (3068)	1
61	36.3182.51	Nipplo di aspirazione G 3/4"	1
62	92.8925.00	Filtro	1
63	90.3828.00	OR Ø 12.37x2.62 (3050)	1
64	36.2569.51	Porta-gomma aspirazione	1
65	92.9828.00	Ghiera G 3/4"	1

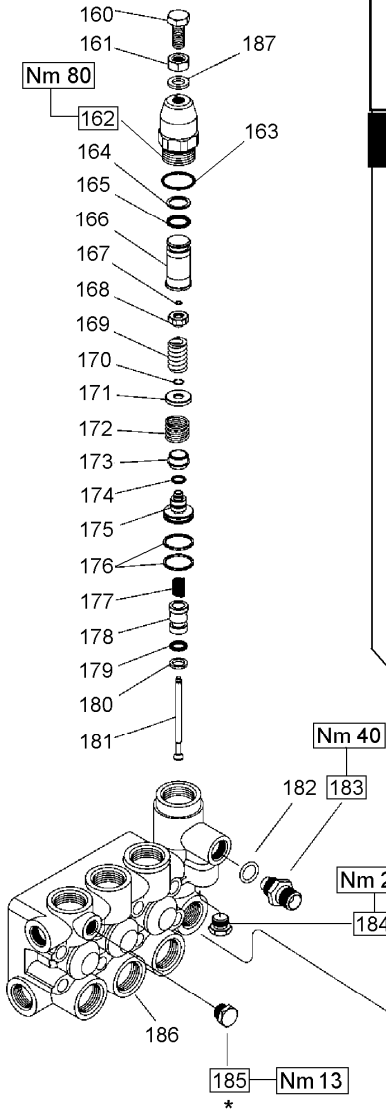
  

KIT RICAMBI – SPARE KITS		
KIT NR.	KIT 94	KIT 137
<b>Posizioni include</b>	<b>30 – 40 – 42</b>	<b>14 – 15 – 16</b>
<b>Positions included</b>	<b>43 – 44 – 45</b>	<b>17 – 18 – 19</b>
	<b>46 – 47 – 50</b>	<b>20 – 21 – 22</b>
	<b>53</b>	<b>23 – 24 – 25</b>
		<b>26 – 27 – 28</b>
		<b>29</b>
<b>Nr. Pcs.</b>	<b>1</b>	<b>1</b>

# VK VERSION

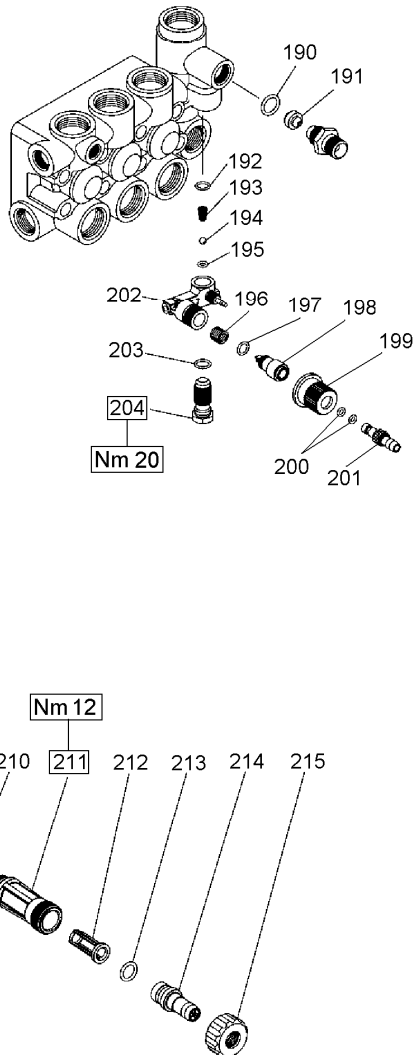
**VERSIONE CON VALVOLA DI REGOLAZIONE AUT. – VERSION WITH BUILT-IN AUT. UNLOADER**  
**VERSION AVEC RÉGULATEUR AUT. DE PRESSION INCORPORÉ**  
**AUSFÜHRUNG MIT EINGEBAUTEM AUT. DRUCKREGULIERVENTIL**

**VERSIÓN CON REGULADOR AUT. DE PRESIÓN INCORPORADO - VERSÃO COM VÁLVULA DO REGULAMENTO AUT.**



- \* Fissare con Loctite 542 col. ROSSO
- \* Affix with Loctite 542 col. RED
- \* Fixer avec de la Loctite 542 couleur ROUGE
- \* Mit Loctite 542 ROT befestigen
- \* Fijar con Loctite 542 col. ROJO
- \* Fixar com Loctite 542 cor. VERMELHA

## OPTIONALS



# VK VERSION

**VERSIONE CON VALVOLA DI REGOLAZIONE AUT. – VERSION WITH BUILT-IN AUT. UNLOADER  
VERSION AVEC RÉGULATEUR AUT. DE PRESSION INCORPORÉ  
AUSFÜHRUNG MIT EINGEBAUTEM AUT. DRUCKREGULIERVENTIL  
VERSIÓN CON REGULADOR AUT. DE PRESIÓN INCORPORADO - VERSÃO COM VÁLVULA DO REGULAMENTO AUT.**

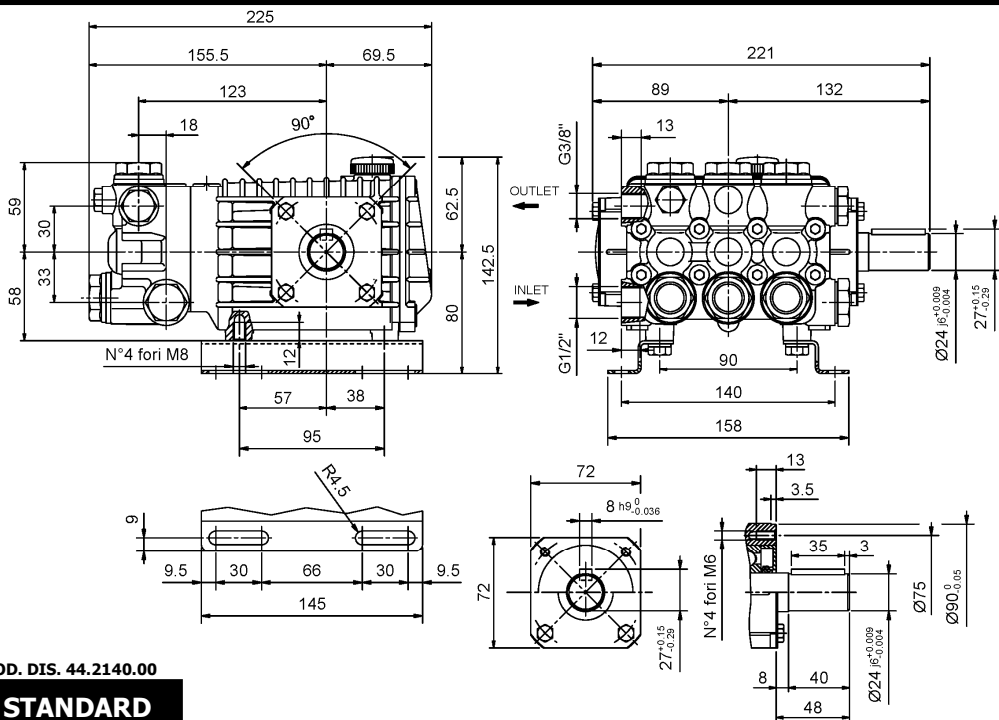
POS	COD.	DESCRIZIONE – DESCRIPTION - KIT	N
160	99.3663.00	Vite M10x1.25x25 UNI 5740	1
161	92.2368.00	Dado M10x1.25 UNI 5589	1
162	36.3270.70	Corpo superiore	1
163	90.3604.00	OR Ø 25.12x1.78 (2100)	1
164	90.5090.00	Anello antiest. Ø 15.8x20x1.3	1
165	90.3835.00	OR Ø 15.08x2.62 (119)	1
166	36.3271.00	Fine corsa	1
167	90.0059.00	Anello di arresto Ø 5 UNI 7433 177	1
168	36.3274.70	Piattello molla 177	1
169	94.7408.00	Molla Ø 12.5x26 177	1
170	90.0062.00	Anello di arresto Ø 8 UNI 7433 177	1
171	36.3273.70	Piattello molla 177	1
172	94.7480.00	Molla Ø 18.2x16.5 177	1
173	36.3277.56	Otturatore 177	1
174	90.3581.00	OR Ø 8.73x1.78 (108) 177	1
175	36.3272.70	Pistoncino di comando 177	1
176	92.7710.00	Fascia elastica Ø 25 177	2
177	94.7372.00	Molla 9.3x15 177	1
178	36.3276.66	Sede valvola 177	1
179	90.3823.00	OR Ø 9.92x2.62 (112) 177	1
180	90.5065.00	Anello antiest. Ø 10.6x15x2 177	1
181	36.3275.66	Asta valvola 177	1
182	90.3832.00	OR Ø 13.95x2.62 (3056) – Spec. 94	1
183	10.0078.70 10.0147.70	Nipplo G 3/8" - Ø 3 Nipplo M22x1.5 – Ø 3	1 1
184	98.2057.00	Tappo M14x1.5	1
185	98.1966.00	Tappo G 1/8"x8	1
186	44.1201.41 44.1205.41	Testata Ø 15 Testata Ø 18	1 1
187	96.7103.00	Rosetta Ø 10.5x18x2	1

OPTIONALS			
POS	COD.	DESCRIZIONE – DESCRIPTION - KIT	N
190	90.3822.00	OR Ø 9.92x2.62 (112) – Spec. 94	1
191	10.0151.66 10.0076.66	Ugello – Nozzle Ø 2 (8÷11 l/min.) Ugello – Nozzle Ø 2.2 (12÷17 l/min.)	1 1
192	90.3582.00	Or Ø 9.25x1.78 (2037) 94	1
193	94.8217.00	Molla conica Ø 4.3/7.3x11 94	1
194	97.4782.00	Sfera Ø 7/32" 94	1
195	90.3572.00	OR Ø 5.25x1.78 (2021) – Spec. 94	1
196	94.7383.00	Molla Ø 9.75x10 94	1
197	90.3580.00	OR Ø 8.73x1.78 (108) – Spec. 94	1
198	36.2564.70	Otturatore	1
199	36.2565.51	Pomolo	1
200	90.3570.00	OR Ø 4.48x1.78 (2018) 94	2
201	36.2566.70	Innesto porta-gomma	1
202	36.3181.51	Corpo dosatore	1
203	90.3585.00	OR Ø 10.82x1.78 (2043) 94	1
204	36.2563.70	Sede valvola	1
210	90.3841.00	OR Ø 17.13x2.62 (3068)	1
211	36.3182.51	Nipplo di aspirazione G 3/4"	1
212	92.8925.00	Filtro	1
213	90.3828.00	OR Ø 12.37x2.62 (3050)	1
214	36.2569.51	Porta-gomma aspirazione	1
215	92.9828.00	Ghiera G 3/4"	1

## KIT RICAMBI – SPARE KITS

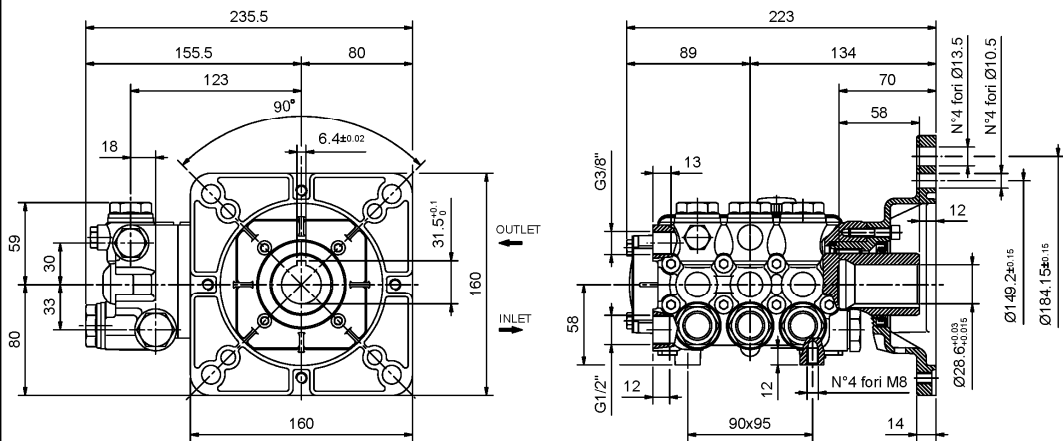
KIT NR.	KIT 94	KIT 177
<b>Posizioni incluse Positions included</b>	<b>182 – 190 – 192 193 – 194 – 195 196 – 197 – 200 203</b>	<b>167 – 168 – 169 170 – 171 – 172 173 – 174 – 175 176 – 177 – 178 179 – 180 – 181</b>
<b>Nr. Pcs.</b>	<b>1</b>	<b>1</b>

**DIMENSIONI D'INGOMBRO – OVERALL DIMENSIONS – DIMENSIONS D'ENCOMBREMENT  
RAUMBEDARF – DIMENSIONES TOTALES – DIMENSÕES**



COD. DIS. 44.2140.00

**STANDARD**



**W950 – W951**

**W952 – W953**

**W954 – W955**

**W956 – W957**

**W958 – W959**

**W14200 – W16180**

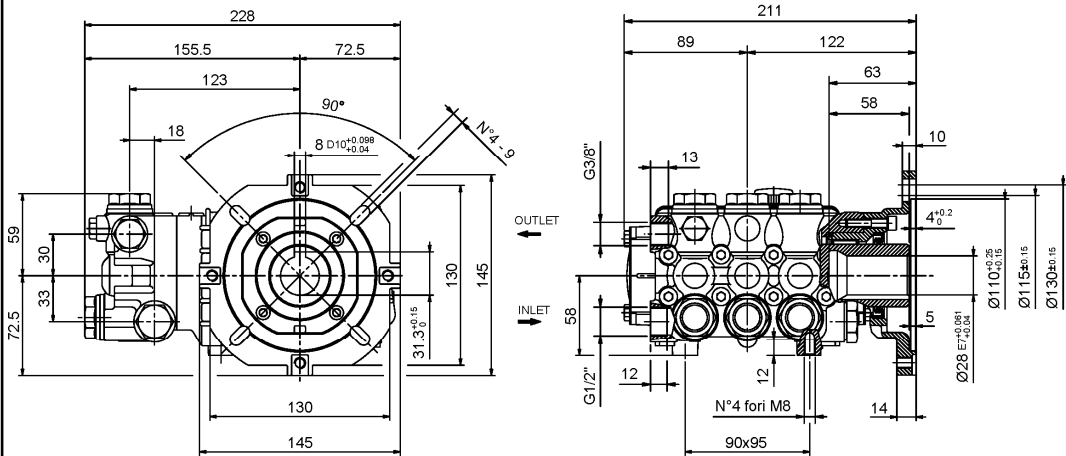
**WW964 – WW965**

COD. DIS. 44.2143.00

**A**



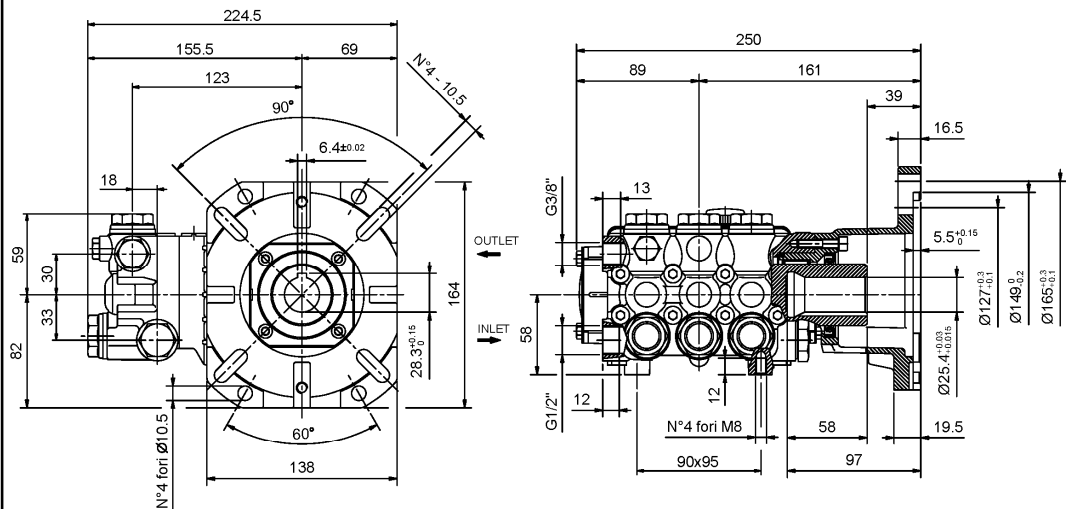
**DIMENSIONI D'INGOMBRO – OVERALL DIMENSIONS – DIMENSIONS D'ENCOMBREMENT  
RAUMBEDARF – DIMENSIONES TOTALES – DIMENSÕES**



**W97 – W112 – W124  
W130 – W130HH  
W140 – W140HH  
W150 – W154 - W154HH  
W170 – W200 – W204  
WW116  
WW136 – WW156 - WW176  
WW186 – WW206 – WW209**

**B**

**COD. DIS. 44.2145.00**

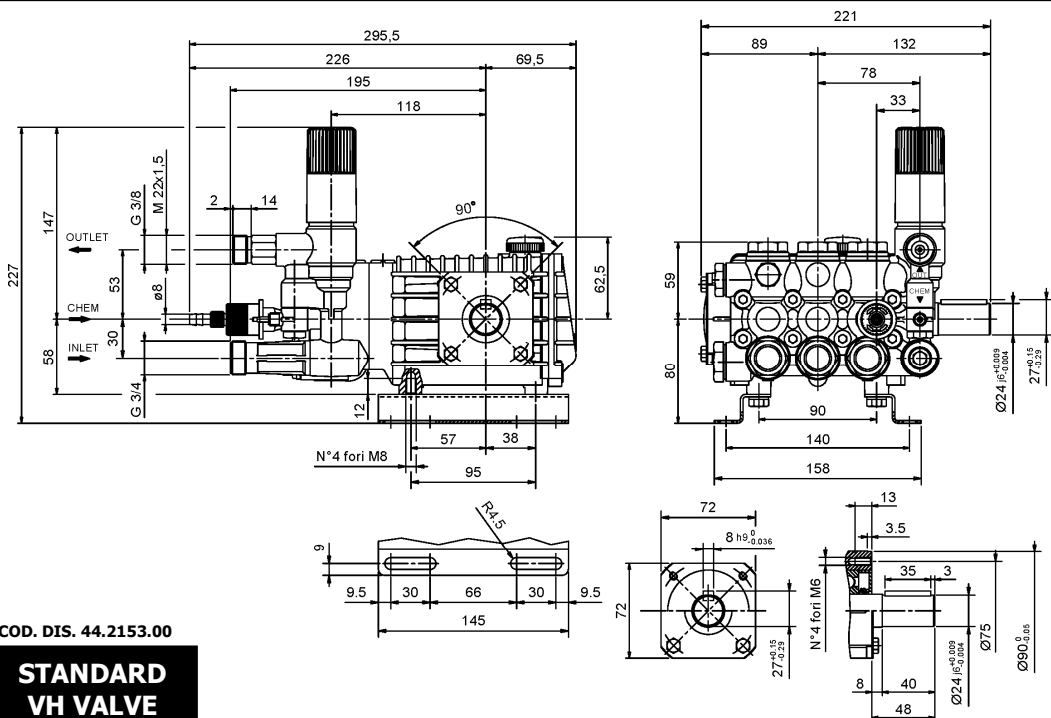


**C**

**COD. DIS. 44.2144.00**

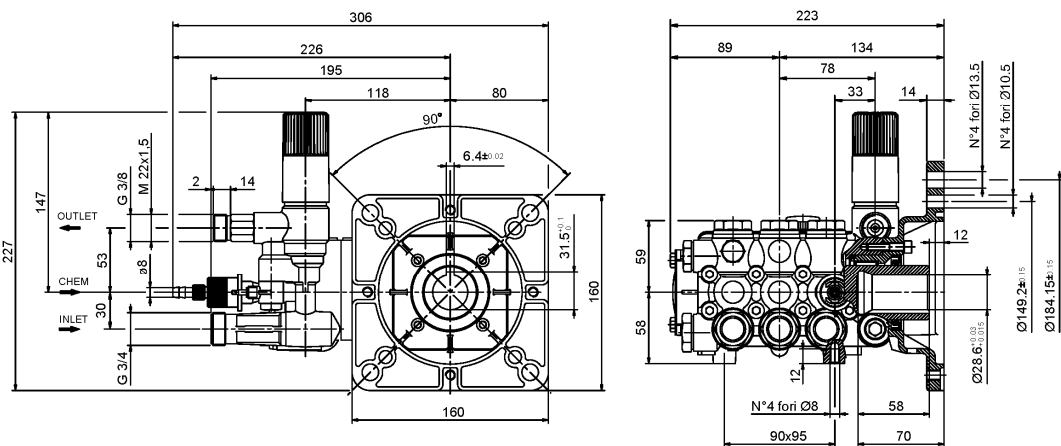
**WW960 - WW961  
WW962 - WW963  
WW964 – WW965**

**DIMENSIONI D'INGOMBRO – OVERALL DIMENSIONS – DIMENSIONS D'ENCOMBREMENT  
RAUMBEDARF – DIMENSIONES TOTALES – DIMENSÕES**



COD. DIS. 44.2153.00

**STANDARD  
VH VALVE**

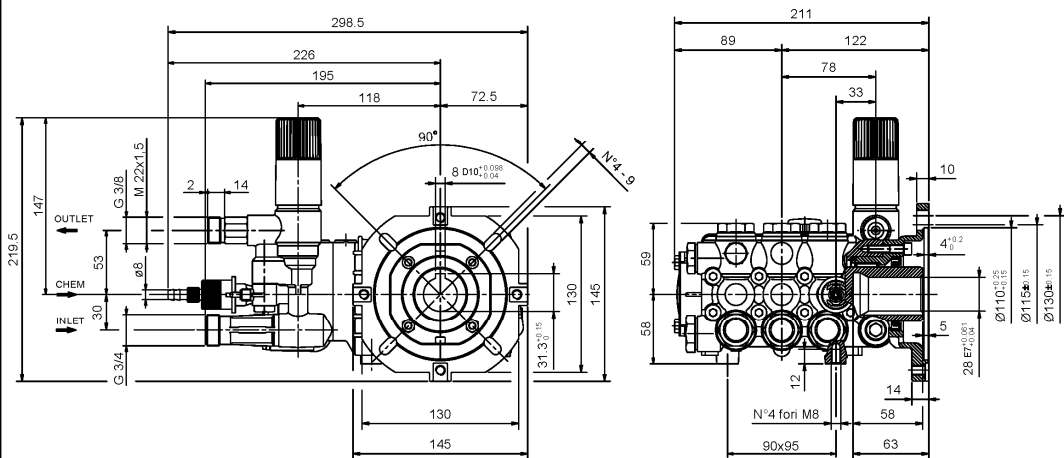


**A – VH VALVE**

COD. DIS. 44.2154.00

**W950 – W951  
W952 – W953  
W954 – W955  
W956 – W957  
W958 – W959  
WW964 – WW965**

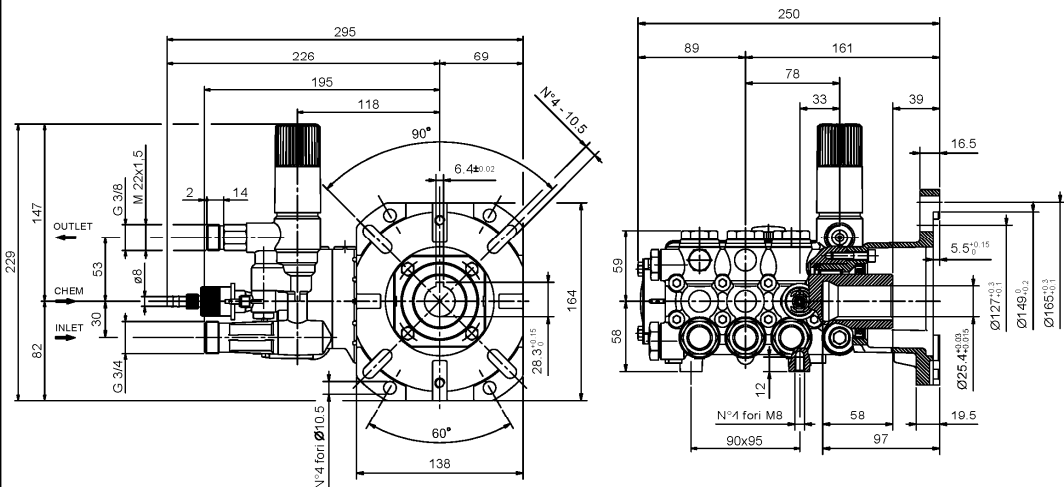
**DIMENSIONI D'INGOMBRO – OVERALL DIMENSIONS – DIMENSIONS D'ENCOMBREMENT  
RAUMBEDARF – DIMENSIONES TOTALES – DIMENSÕES**



**W97 – W112 – W124  
W130 – W130HH  
W140 – W140HH  
W150 – W154 - W154HH  
W170 – WW116  
WW136 – WW156 - WW176  
WW186 – WW206 – WW209**

**B – VH VALVE**

**COD. DIS. 44.2155.00**

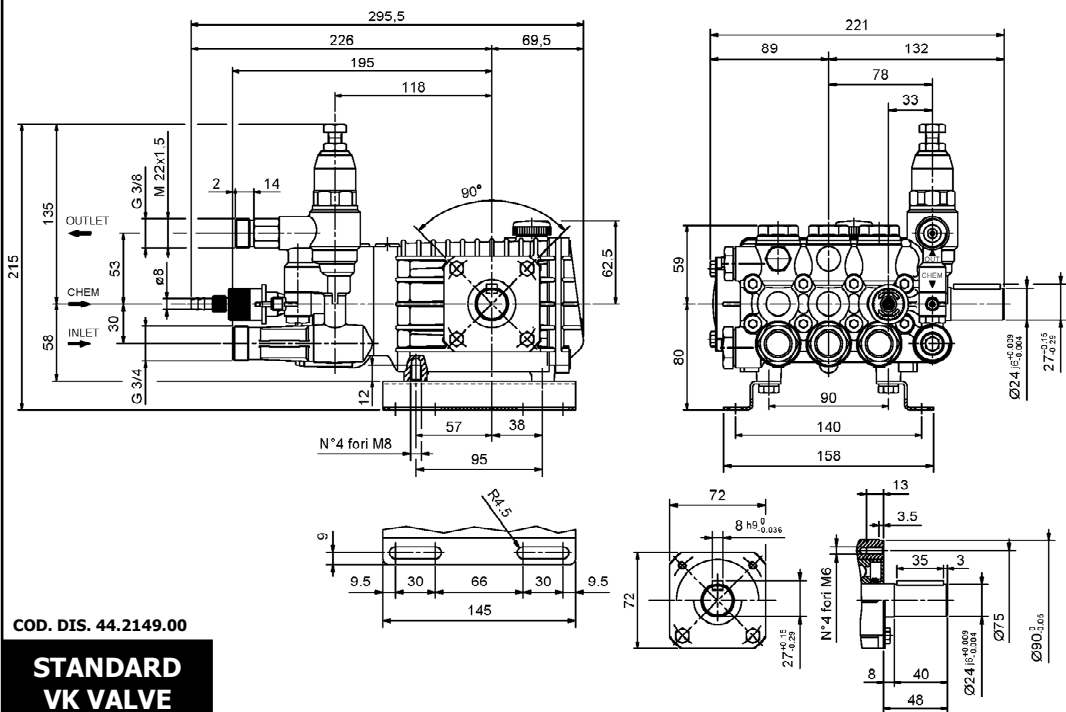


**WW960 – WW961  
WW962 – WW963  
WW964 – WW965**

**C – VH VALVE**

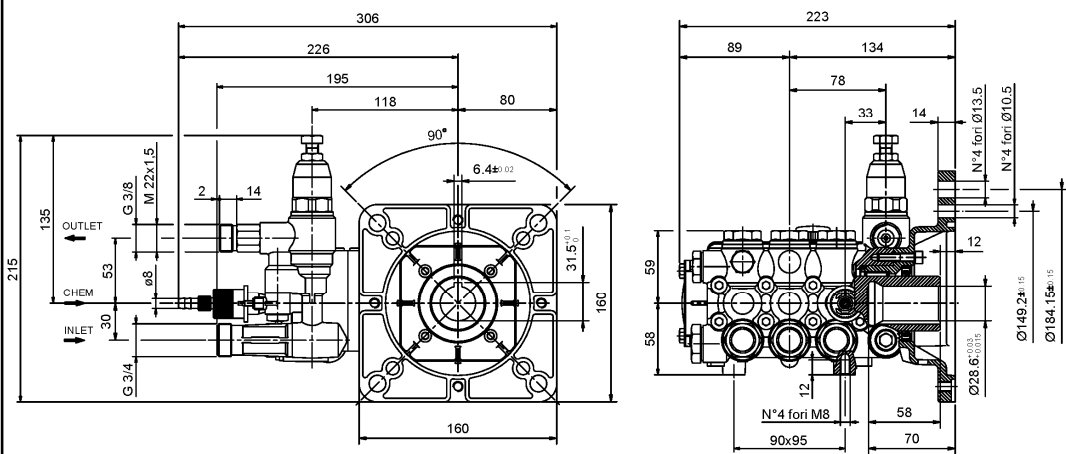
**COD. DIS. 44.2156.00**

**DIMENSIONI D'INGOMBRO – OVERALL DIMENSIONS – DIMENSIONS D'ENCOMBREMENT  
RAUMBEDARF – DIMENSIONES TOTALES – DIMENSÕES**



COD. DIS. 44.2149.00

**STANDARD  
VK VALVE**

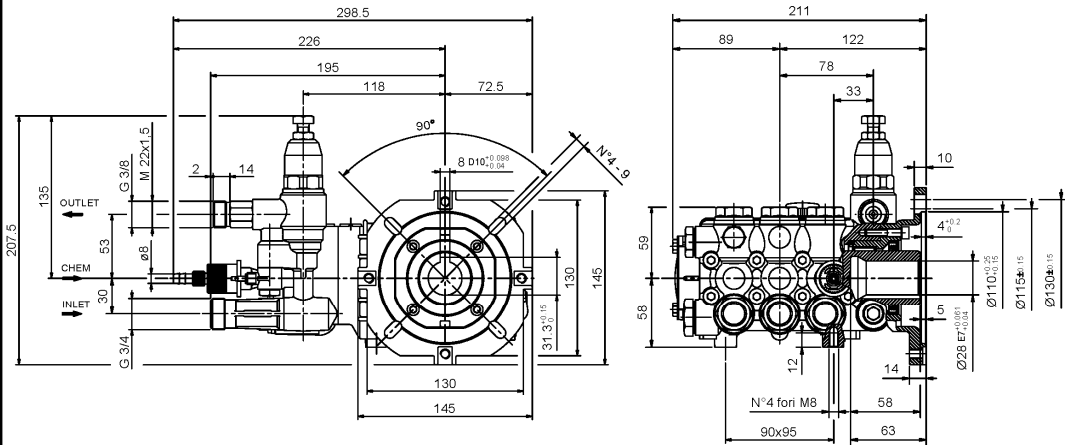


**A – VK VALVE**

COD. DIS. 44.2157.00

**W950 – W951  
W952 – W953  
W954 – W955  
W956 – W957  
W958 – W959  
WW964 – WW965**

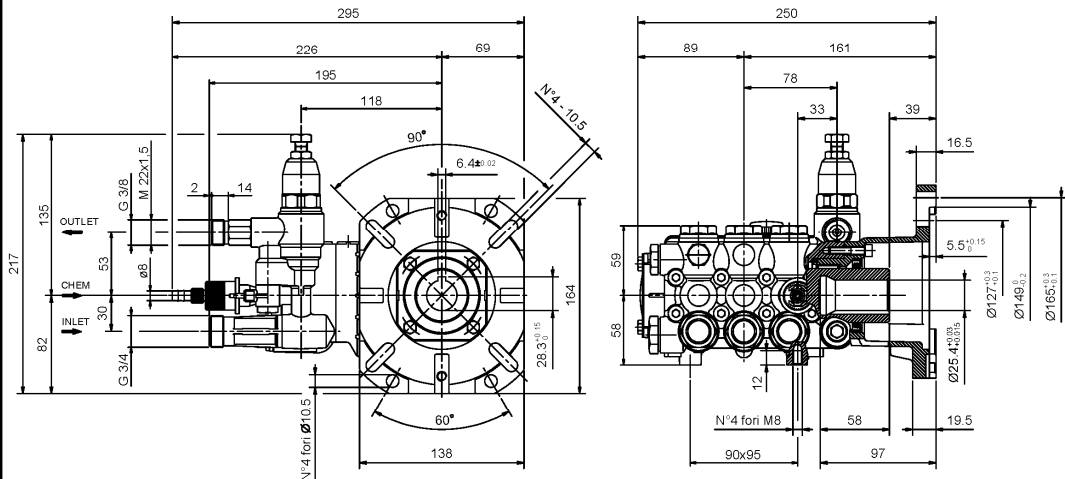
**DIMENSIONI D'INGOMBRO – OVERALL DIMENSIONS – DIMENSIONS D'ENCOMBREMENT  
RAUMBEDARF – DIMENSIONES TOTALES – DIMENSÕES**



**B – VK VALVE**

**COD. DIS. 44.2158.00**

**W97 – W112 – W124  
W130 – W130HH  
W140 – W140HH  
W150 – W154 – W154HH  
W170 – WW116  
WW136 – WW156 – WW176  
WW186 – WW206 – WW209**



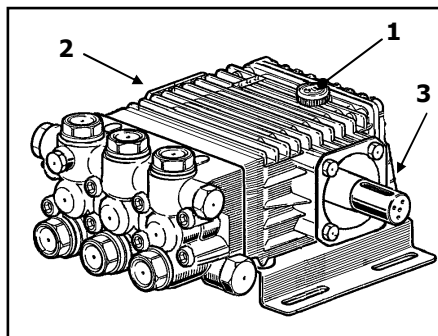
**C – VK VALVE**

**COD. DIS. 44.2159.00**

**WW960 – WW961  
WW962 – WW963  
WW964 – WW965**

## 1 - CAMBIO OLIO

- 1.1 – Il cambio dell'olio va eseguito con pompa a temperatura di lavoro.
- 1.2 – Posizionare un recipiente sotto il tappo di scarico olio (3).
- 1.3 – Rimuovere il tappo con asta (1) e successivamente il tappo di scarico (3).
- 1.4 – Attendere fino a quando tutto l'olio è uscito, quindi riavvitare il tappo di scarico (3) con la coppia torcente indicata su disegno esploso.
- 1.5 – Riempire con olio nuovo fino al raggiungimento della mezzeria del tappo spia livello olio (2) e riavvitare il tappo con asta (1).



**Per il tipo di olio da utilizzare fare riferimento a quanto indicato sul libretto generico.**



**ATTENZIONE: L'olio esausto deve essere raccolto in recipienti e smaltito negli appositi centri in accordo alla normativa vigente. Non deve essere assolutamente disperso nell'ambiente.**

## 1 – OIL CHANGING

- 1.1 – Oil changing must be done with the pump at operating temperature.
- 1.2 – Put a container under the oil drain plug (3).
- 1.3 – Remove the oil dipstick (1) and then the drain plug (3).
- 1.4 – Wait until all the oil has drained out, then screw the drain plug (3) and tighten at the torque shown in the exploded diagram.
- 1.5 – Fill with new oil until the middle of the oil level indicator (2) is reached, screw by hand the oil dipstick (1).

**Refer to the generic booklet for the type of oil to use.**



**WARNING: The exhaust oil must be collected in receptacles and disposed of at authorised centres as specified by law. It must not be thrown away in the environment.**

## 1 - CHANGEMENT DE L'HUILE

- 1.1 – Le changement de l'huile doit être exécuté avec la pompe à température d'exercice.
- 1.2 – Placer un récipient sous le bouchon de vidange de l'huile (3).
- 1.3 – Enlever le bouchon-jauge (1), puis enlever le bouchon de vidange (3).
- 1.4 – Attendre que toute l'huile soit sortie, puis revisser le bouchon de vidange (3) avec le couple de torsion qui est indiqué sur le dessin éclaté.
- 1.5 – Remplir avec de l'huile neuve jusqu'à la ligne médiane du bouchon indicateur du niveau d'huile (2), et revisser le bouchon-jauge (1).

**Pour le type d'huile à utiliser, se référer à ce qui est indiqué sur la notice générale.**



**ATTENTION : L'huile usée doit être recueillie dans des récipients et éliminée dans les centres prévus à cet effet, conformément à la réglementation en vigueur. Il ne faut absolument pas la jeter dans l'environnement.**

## 1 - ÖLWECHSEL

- 1.1 – Beim Ölwechsel muss die Pumpe Betriebstemperatur aufweisen.
- 1.2 – Unter den Ölablassverschluss (3) einen Behälter stellen.
- 1.3 – Den Verschluss mit dem Stab (1) und danach den Ablassverschluss (3) abnehmen.
- 1.4 – Warten, bis das gesamte Öl abgelassen ist und den Ablassverschluss (3) mit dem auf der Übersichtszeichnung angegebenen Drehmoment wieder anschrauben.
- 1.5 – Mit frischem Öl füllen, bis die Mittellinie des Ölstandkontrollverschlusses (2) erreicht ist und den Verschluss mit dem Stab (1) wieder anschrauben.

**Bezüglich der verwendbaren Ölsorten siehe die Angaben im allgemeinen Handbuch.**



**ACHTUNG: Das Altöl muss in Behältern gesammelt und gemäß den geltenden Vorschriften bei den hierfür vorgesehenen Zentren entsorgt werden. Es darf keinesfalls umweltschädigend entsorgt werden.**

---

## 1 - CAMBIO DE ACEITE

- 1.1 – El cambio de aceite se efectúa con bomba a temperatura de trabajo.
- 1.2 – Colocar un recipiente debajo del tapón de descarga de aceite (3).
- 1.3 – Extraer el tapón con varilla (1) y seguidamente el tapón de descarga (3).
- 1.4 – Esperar hasta que haya salido todo el aceite, volver a enroscar el tapón de descarga (3) con el par de torsión indicado en el despiece.
- 1.5 – Llenar con aceite nuevo hasta alcanzar la línea media del tapón indicador de nivel de aceite (2) y volver a enroscar el tapón con varilla (1).

**Para el tipo de aceite que debe utilizarse, remitirse a las indicaciones del manual general.**



**ATENCIÓN: El aceite residual debe recogerse en recipientes y eliminarse en los centros pertinentes de acuerdo con la normativa vigente. En ningún caso debe dispersarse en el ambiente.**

---

## 1 - TROCA DE ÓLEO

- 1.1 – A troca de óleo deve ser feita com a bomba na temperatura de trabalho.
- 1.2 – Posicionar um recipiente embaixo da tampa de descarga de óleo (3).
- 1.3 – Remover a tampa com o pino (1) e, em seguida, a tampa de descarga (3).
- 1.4 – Esperar que todo o óleo saia, recolocar a tampa de descarga (3) com o binário de torção indicado no desenho explodido.
- 1.5 – Encher com o óleo novo até chegar na linha da tampa de controle do nível do óleo (2) e recolocar a tampa com o pino (1).

**Para o tipo de óleo a ser utilizado, consultar as indicações do livro genérico.**



**ATENÇÃO: O óleo consumido deve ser coletado em recipientes e eliminado nos locais adequados, de acordo com a normativa vigente. Não deve, de modo algum, ser jogado no ambiente.**

## DICHIARAZIONE DI INCORPORAZIONE (Ai sensi dell'allegato II della Direttiva Europea 2006/42/CE).

Il produttore **INTERPUMP GROUP S.p.A.** – Via E. Fermi, 25 – 42049 S.ILARIO D'ENZA (RE) - Italia  
**DICHIARA** sotto la propria esclusiva responsabilità che l'attrezzatura identificata e descritta come segue :

Denominazione : Pompa

Tipo : Pompa alternativa a pistoni per acqua ad alta pressione

Marchio di fabbrica : INTERPUMP GROUP

Modello : W150 – W130 - W130HH – W170 – W112 – W140 – W140HH

W97 – W124 – W154 – W154HH – W950 – W951 – W952 – W953 – W954 – W955 – W956 – W957 – W958

W959 – W200 – W204 – W14200 – W16180 - WW186 – WW206 – WW116 – WW156 – WW209 – WW189

WW136 – WW176 – WW963 - WW964 – WW960 – WW961 – WW965 – WW962 (per idropultrici - categoria AEE elettrodomestico).

Risulta essere conforme alle sotto elencate direttive e successivi aggiornamenti :

- Direttiva Macchine 2006/42/CE.

- Direttiva sulla restrizione dell'uso di determinate sostanze pericolose nelle apparecchiature elettriche ed elettroniche 2011/65/UE – RoHS.

L'attrezzatura non contiene sostanze con restrizioni d'uso in concentrazione maggiore di quelle elencate nell'allegato II ad eccezione delle applicazioni esentate dalle restrizioni elencate nell'allegato III.

Norme applicate : UNI EN ISO 12100:2010 - UNI EN 809:2000

La pompa sopra identificata rispetta i seguenti requisiti essenziali di sicurezza e di tutela della salute elencati nel punto 1 dell'allegato I della Direttiva Macchine :

1.1.2 - 1.1.3 - 1.1.5 - 1.3.1 - 1.3.2 - 1.3.3 - 1.3.4 - 1.5.4 - 1.5.5 - 1.6.1 - 1.7.1 - 1.7.2 - 1.7.4 - 1.7.4.1 - 1.7.4.2  
e la relativa documentazione tecnica è stata compilata in conformità dell'allegato VII B.

Inoltre il produttore si impegna a rendere disponibile, a seguito di una richiesta adeguatamente motivata, copia della documentazione tecnica pertinente la pompa nei modi e nei termini da definire.

La pompa non deve essere messa in servizio finché l'impianto al quale la pompa deve essere incorporata è stato dichiarato conforme alle disposizioni delle relative direttive e/o norme.

Persona autorizzata a costituire il fascicolo tecnico :           Nome: Maurizio Novelli

Indirizzo: INTERPUMP GROUP S.p.A. – Via E. Fermi, 25 – 42049 S. ILARIO D'ENZA (RE) – Italia

Persona autorizzata a redigere la dichiarazione :           L'amministratore delegato Ing. Paolo Marinsek

Reggio Emilia 03/2013

Firma 



**DECLARATION OF INCORPORATION**  
**(In accordance with Annex II of European Directive 2006/42/CE).**

The manufacturer **INTERPUMP GROUP S.p.A.** – Via E. Fermi, 25 – 42049 S.ILARIO D'ENZA (RE) - Italy  
**DECLARES** under sole responsibility that the equipment identified and described as follows :

Name : Pump

Type : Reciprocating plunger pump for high pressure water

Trademark : INTERPUMP GROUP

Model : W150 – W130 – W130HH – W170 – W112 – W140 – W140HH

W97 – W124 – W154 – W154HH – W950 – W951 – W952 – W953 – W954 – W955 – W956 – W957 – W958

W959 – W200 – W204 – W14200 – W16180 – WW186 – WW206 – WW116 – WW156 – WW209 – WW189

WW136 – WW176 – WW963 - WW964 – WW960 – WW961 – WW965 – WW962

(for pressure washers - EEE category: household appliance).

Complies with the requirements of the directives listed below and subsequent updates :

- Machinery Directive 2006/42/CE.

- Directive 2011/65/EU – RoHS on the restriction of the use of certain hazardous substances in electrical and electronic equipment.

The equipment does not contain more than the specified concentrations of restricted substances listed in Annex II except for the applications exempted from the restriction listed in Annex III.

Standards applied : UNI EN ISO 12100:2010 - UNI EN 809:2000

The pump identified above meets all the essential safety and health protection requirements as listed in section 1 of Annex I of the Machinery Directive :

1.1.2 - 1.1.3 - 1.1.5 - 1.3.1 - 1.3.2 - 1.3.3 - 1.3.4 - 1.5.4 - 1.5.5 - 1.6.1 - 1.7.1 - 1.7.2 - 1.7.4 - 1.7.4.1 - 1.7.4.2  
and the relevant technical documentation has been compiled in accordance with Annex VII B.

In addition, the manufacturer undertakes to make available, following a reasoned request, a copy of the relevant technical pump documentation in the manner and terms to be defined.

The pump should not be put into service until the plant to which the pump is to be incorporated has been declared in accordance with the provisions of the relevant directives and/or standards.

Person authorised to compile the technical file :

Name: Maurizio Novelli

Address : INTERPUMP GROUP S.p.A. – Via E. Fermi, 25 – 42049 S. ILARIO D'ENZA (RE) – Italy

Person authorized to draw up the declaration :

CEO Mr. Paolo Marinsek

Reggio Emilia 03/2013

Signature



# DÉCLARATION D'INCORPORATION

(Conformément à l'annexe II de la Directive Européenne 2006/42/CE).

Le fabricant **INTERPUMP GROUP S.p.A.** – Via E. Fermi, 25 – 42049 S.ILARIO D'ENZA (RE) - Italie  
**DÉCLARE** sous sa seule responsabilité que l'équipement identifié et décrit comme suit :

Description : Pompe

Type : Pompe alternative à pistons pour eau à haute pression

Marque de fabrique : INTERPUMP GROUP

Modèle : W150 – W130 - W130HH – W170 – W112 – W140 – W140HH

W97 – W124 – W154 – W154HH – W950 – W951 – W952 – W953 – W954 – W955 – W956 – W957 – W958

W959 – W200 – W204 – W14200 – W16180 - WW186 – WW206 – WW116 – WW156 – WW209 – WW189

WW136 – WW176 – WW963 - WW964 – WW960 – WW961 – WW965 – WW962 (pour nettoyeurs à haute pression - catégorie d'appareils AEE).

Est conforme aux spécifications des directives énumérées ci-dessous et mises à jour suivantes:

- Directive Machines 2006/42/CE.

- Directive relative à la limitation de l'utilisation de certaines substances dangereuses dans les équipements électriques et électroniques 2011/65/UE – RoHS.

L'équipement ne contient pas de substances assorties de restrictions concernant l'utilisation en concentration plus élevée que celles énumérées à l'annexe II, sauf pour des applications exemptées des restrictions énumérées à l'annexe III.

Normes appliquées : UNI EN ISO 12100:2010 - UNI EN 809:2000

La pompe identifiée ci-dessus répond aux exigences essentielles de sécurité et protection de la santé suivantes énumérées au point 1 de l'annexe I de la Directive Machines :

1.1.2 - 1.1.3 - 1.1.5 - 1.3.1 - 1.3.2 - 1.3.3 - 1.3.4 - 1.5.4 - 1.5.5 - 1.6.1 - 1.7.1 - 1.7.2 - 1.7.4 - 1.7.4.1 - 1.7.4.2  
et la documentation technique pertinente est constituée conformément à l'annexe VII B.

De plus, le fabricant s'engage à rendre disponible, suite à une demande adéquatement motivée, une copie de la documentation technique relative à la pompe dans les modes et les termes à définir.

La pompe ne doit pas être mise en marche tant que l'installation à laquelle la pompe doit être incorporée n'a pas été déclarée conforme aux dispositions des directives et / ou normes relatives.

Personne autorisée à réaliser le manuel technique :

Nom : Maurizio Novelli

Adresse : INTERPUMP GROUP S.p.A. – Via E. Fermi, 25 – 42049 S. ILARIO D'ENZA (RE) – Italie

Personne autorisée à rédiger la déclaration :

L'administrateur délégué Ing. Paolo Marinsek

Reggio Emilia 03/2013

Signature



# EINBAUERKLÄRUNG

(gemäß Anhang II der Europäischen Richtlinie 2006/42/EG).

Der Hersteller **INTERPUMP GROUP S.p.A.** – Via E. Fermi, 25 – 42049 S.ILARIO D'ENZA (RE) - Italien  
**ERKLÄRT** auf alleinige Verantwortung, dass das wie folgt bezeichnete und beschriebene Gerät :

Bezeichnung: Pumpe

Typ : Kolbenpumpe für Hochdruck-Wasser

Herstellermarke : INTERPUMP GROUP

Modell : W150 – W130 - W130HH – W170 – W112 – W140 – W140HH

W97 – W124 – W154 – W154HH – W950 – W951 – W952 – W953 – W954 – W955 – W956 – W957 – W958

W959 – W200 – W204 – W14200 – W16180 - WW186 – WW206 – WW116 – WW156 – WW209 – WW189

WW136 – WW176 – WW963 - WW964 – WW960 – WW961 – WW965 – WW962 (für Hochdruckreiniger -

Kategorie: elektronische und elektromechanische Haushaltsgeräte).

mit den nachstehend aufgelisteten Richtlinien und ihren nachfolgenden Aktualisierungen konform ist :

- Maschinenrichtlinie 2006/42/EG.

- Richtlinie zur Beschränkung der Verwendung bestimmter gefährlicher Stoffe in Elektro- und Elektronikgeräten 2011/65/EU – RoHS.

Das Gerät enthält keine Stoffe, für die Beschränkungen bezüglich ihrer Verwendung in Konzentrationen bestehen, die über denen im Anhang II liegen, mit Ausnahme von Anwendungen, die von den im Anhang II aufgeführten Beschränkungen ausgenommen sind.

Angewandte Normen : UNI EN ISO 12100:2010 - UNI EN 809:2000

Die oben genannte Pumpe genügt den folgenden grundlegenden Sicherheits- und Gesundheitsschutzanforderungen, die unter Punkt 1 des Anhangs I der Maschinenrichtlinie aufgeführt sind.  
1.1.2 - 1.1.3 - 1.1.5 - 1.3.1 - 1.3.2 - 1.3.3 - 1.3.4 - 1.5.4 - 1.5.5 - 1.6.1 - 1.7.1 - 1.7.2 - 1.7.4 - 1.7.4.1 - 1.7.4.2  
Die speziellen technischen Unterlagen wurden gemäß Anhang VII Teil B erstellt.

Darüber hinaus verpflichtet sich der Hersteller einzelstaatlichen Stellen auf begründetes Verlangen die speziellen technischen Unterlagen zur Pumpe in festzulegenden Modalitäten und Fristen zu übermitteln.

Die Pumpe darf erst dann in Betrieb genommen werden, wenn gegebenenfalls festgestellt wurde, dass die Maschine, in die die Pumpe eingebaut werden soll, den Bestimmungen der entsprechenden Richtlinien und/oder Normen entspricht .

Person, die bevollmächtigt ist, die relevanten technischen Unterlagen zusammenzustellen : Maurizio Novelli

Adresse : INTERPUMP GROUP S.p.A. – Via E. Fermi, 25 – 42049 S. ILARIO D'ENZA (RE) – Italien

Person, die zur Ausstellung dieser Erklärung bevollmächtigt ist: Der Geschäftsführer Ing. Paolo Marinsek

Reggio Emilia 03/2013

Unterschrift \_\_\_\_\_



# DECLARACIÓN DE INCORPORACIÓN

(De acuerdo con el anexo II de la Directiva Europea 2006/42/CE).

El fabricante **INTERPUMP GROUP S.p.A.** – Via E. Fermi, 25 – 42049 S.ILARIO D'ENZA (RE) – Italia  
**DECLARA** bajo su propia y exclusiva responsabilidad al aparato identificado y descrito del siguiente modo :

Denominación : Bomba

Tipo : Bomba alternativa con pistones para agua de alta presión

Marca de fábrica : INTERPUMP GROUP

Modelo : W150 – W130 - W130HH – W170 – W112 – W140 – W140HH

W97 – W124 – W154 – W154HH – W950 – W951 – W952 – W953 – W954 – W955 – W956 – W957 – W958

W959 – W200 – W204 – W14200 – W16180 - WW186 – WW206 – WW116 – WW156 – WW209 – WW189

WW136 – WW176 – WW963 - WW964 – WW960 – WW961 – WW965 – WW962 (para hidro-limpiadoras-  
categoría AEE electrodoméstico).

Resulta ser conforme con las directivas que se indican a continuación y con sus sucesivas actualizaciones:

- Directiva de Máquinas 2006/42/CE.

- Directiva acerca de la restricción del uso de determinadas sustancias peligrosas en máquinas eléctricas y electrónicas 2011/65/UE – RoHS.

El aparato no contiene sustancias con restricción de uso en concentración mayor de aquellas citadas en el anexo II, exceptuando las aplicaciones exentes de las restricciones citadas en el anexo III.

Normas aplicadas : UNI EN ISO 12100:2010 - UNI EN 809:2000

La bomba identificada anteriormente respeta los siguientes requisitos esenciales de seguridad y de protección de la salud citados en el punto 1 del anexo I de la Directiva de Máquina :

1.1.2 - 1.1.3 - 1.1.5 - 1.3.1 - 1.3.2 - 1.3.3 - 1.3.4 - 1.5.4 - 1.5.5 - 1.6.1 - 1.7.1 - 1.7.2 - 1.7.4 - 1.7.4.1 - 1.7.4.2  
y la correspondiente documentación técnica ha sido compilada de acuerdo con el anexo VII B.

Además el fabricante se compromete en hacer disponible, después haberse llevado a cabo una solicitud adecuadamente motivada, una copia de la documentación técnica pertinente de la bomba en una modalidad y en un plazo aún por definir.

La bomba no debe ser puesta en funcionamiento, hasta que el sistema al cuál la bomba debe ser incorporada, haya sido declarado conforme a las disposiciones de las respectivas directivas y/o normativas.

Persona autorizada a realizar el fascículo técnico :


Nombre : Maurizio Novelli

Dirección : INTERPUMP GROUP S.p.A. – Via E. Fermi, 25 – 42049 S. ILARIO D'ENZA (RE) – Italia

Persona autorizada a redactar la declaración :

El administrador delegado Ing. Paolo Marinsek

Reggio Emilia 03/2013

Firma 

# DECLARAÇÃO DE INCORPORAÇÃO

(Nos termos do anexo II da Directiva Europeia 2006/42/CE).

O fabricante **INTERPUMP GROUP S.p.A.** – Via E. Fermi, 25 – 42049 S.ILARIO D'ENZA (RE) - Itália **DECLARA** sob a sua exclusiva responsabilidade que os equipamentos identificados e descritos tal como se segue :

Denominação : Bomba

Tipo: Bomba alternativa com pistões para água a alta pressão

Marca de fábrica : INTERPUMP GROUP

Modelo : W150 – W130 - W130HH – W170 – W112 – W140 – W140HH

W97 – W124 – W154 – W154HH – W950 – W951 – W952 – W953 – W954 – W955 – W956 – W957 – W958

W959 – W200 – W204 – W14200 – W16180 - WW186 – WW206 – WW116 – WW156 – WW209 – WW189

WW136 – WW176 – WW963 - WW964 – WW960 – WW961 – WW965 – WW962 (para máquinas de limpeza por jacto de água a alta pressão - categoria AEE electrodoméstico).

Está em conformidade às directivas abaixo indicadas e posteriores actualizações :

- Directiva Máquinas 2006/42/CE.

- Directiva sobre a restrição de uso de determinadas substâncias perigosas em aparelhos eléctricos e electrónicos 2011/65/UE – RoHS.

O equipamento não contém substâncias com restrições de uso em concentração superior às indicadas no anexo II, à excepção das aplicações isentas das restrições indicadas no anexo III.

Normas aplicadas : UNI EN ISO 12100:2010 - UNI EN 809:2000

A bomba acima identificada respeita os seguintes requisitos essenciais de segurança e de tutela da saúde, referidos no ponto 1 do anexo I da Directiva Máquinas :

1.1.2 - 1.1.3 - 1.1.5 - 1.3.1 - 1.3.2 - 1.3.3 - 1.3.4 - 1.5.4 - 1.5.5 - 1.6.1 - 1.7.1 - 1.7.2 - 1.7.4 - 1.7.4.1 - 1.7.4.2 e a respectiva documentação técnica foi compilada em conformidade com o anexo VII B.

Além disso, o fabricante compromete-se a disponibilizar, mediante pedido adequadamente motivado, uma cópia da documentação técnica referente à bomba, em modos e termos a definir.

A bomba não deve ser colocada em funcionamento até que o sistema no qual tem de ser incorporada seja declarado em conformidade com as disposições das respectivas directivas e/ou normas.

Pessoa autorizada a compilar a documentação técnica : Nome : Maurizio Novelli

Morada: INTERPUMP GROUP S.p.A. – Via E. Fermi, 25 – 42049 S. ILARIO D'ENZA (RE) – Itália

Pessoa autorizada a redigir a declaração :

O administrador delegado Eng.º Paolo Marinsek

Reggio Emilia 02/2013

Assinatura







**COPYRIGHT** Il contenuto di questo libretto è di proprietà di INTERPUMP GROUP, ne è vietata la riproduzione e/o la divulgazione, anche parziale, a termini di legge.

**COPYRIGHT** The contents of this booklet are the property of INTERPUMP GROUP. Reproduction and divulgation, in whole or in part, are prohibited by law.

**COPYRIGHT** Le contenu de cette notice appartient à INTERPUMP GROUP : aux termes de la loi il est interdit de le reproduire et/ou de le divulguer, même partiellement.

**COPYRIGHT** Der Inhalt dieser Bedienungsanleitung ist Eigentum von INTERPUMP GROUP. Die auch nur teilweise Reproduktion und/oder Verbreitung ist gesetzlich verboten.

**COPYRIGHT** El contenido del presente manual es propiedad de INTERPUMP GROUP y está legalmente prohibida su reproducción y/o divulgación parcial o total.

**COPYRIGHT** O conteúdo deste livro é de propriedade da INTERPUMP GROUP, e é proibida a sua reprodução e/ou a sua divulgação, mesmo parcial, nos termos da lei.

---

**Le informazioni presenti su questo documento possono essere variate senza preavviso.**

**The information contained in this document may change without notice.**

**Les informations présentes sur ce document peuvent être changées sans besoin de préavis.**

**Die in diesem Dokument enthaltenen Informationen können ohne Vorankündigung geändert werden.**

**La información contenida en el presente documento puede modificarse sin previo aviso.**

**As informações contidas neste documento poderão ser sujeitas a alterações sem aviso prévio.**

---



**INTERPUMP  
GROUP**

**AZIENDA CON SISTEMA  
DI GESTIONE QUALITÀ  
CERTIFICATO DA DNV  
= ISO 9001 =**

VIA FERMI, 25 42049 S.ILARIO – REGGIO EMILIA (ITALY)  
TEL. +39 – 0522 - 904311 TELEFAX +39 – 0522 – 904444  
E-mail: [info@interpumpgroup.it](mailto:info@interpumpgroup.it) - <http://www.interpumpgroup.it>