

F

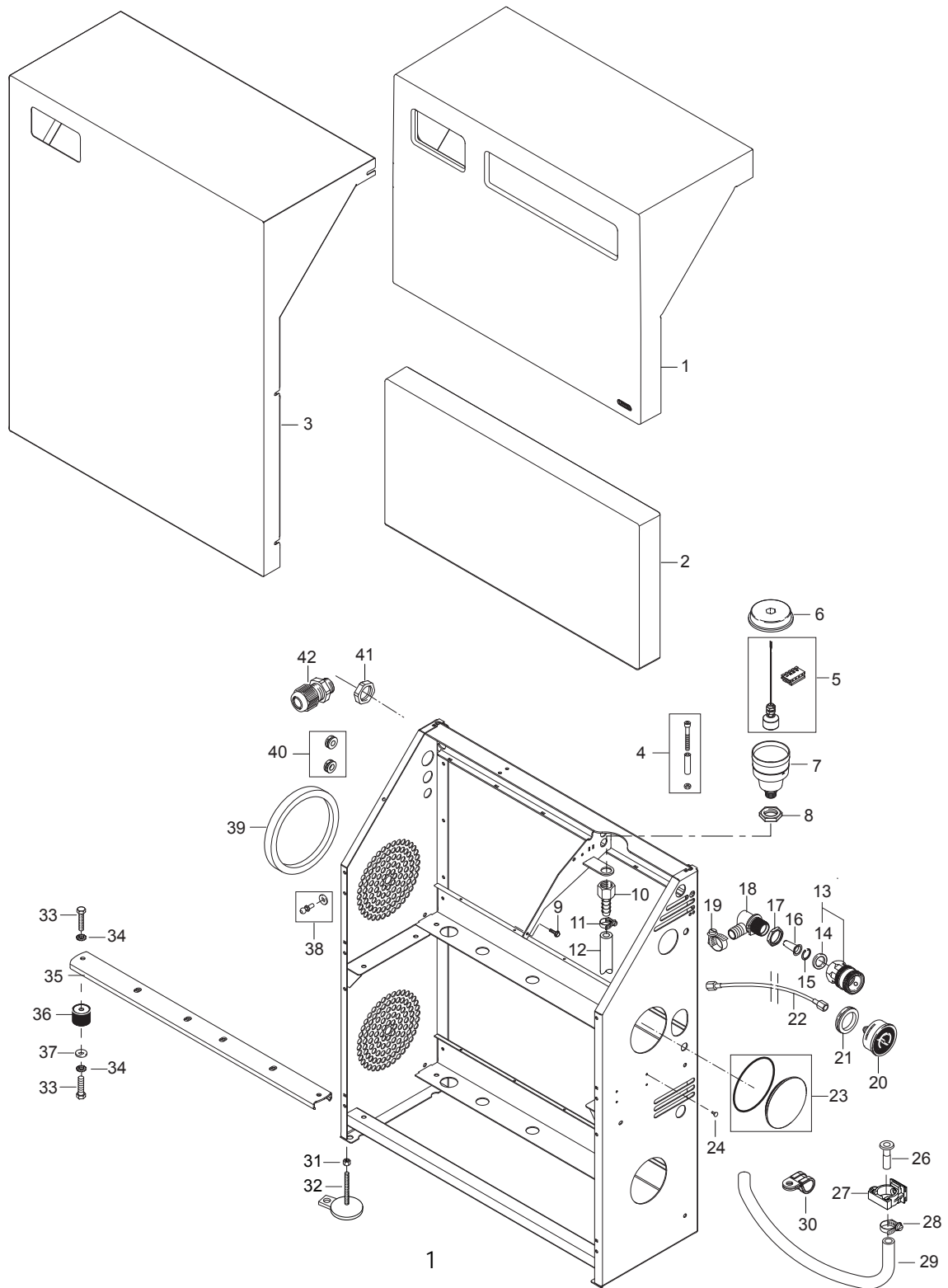


2015.05.22

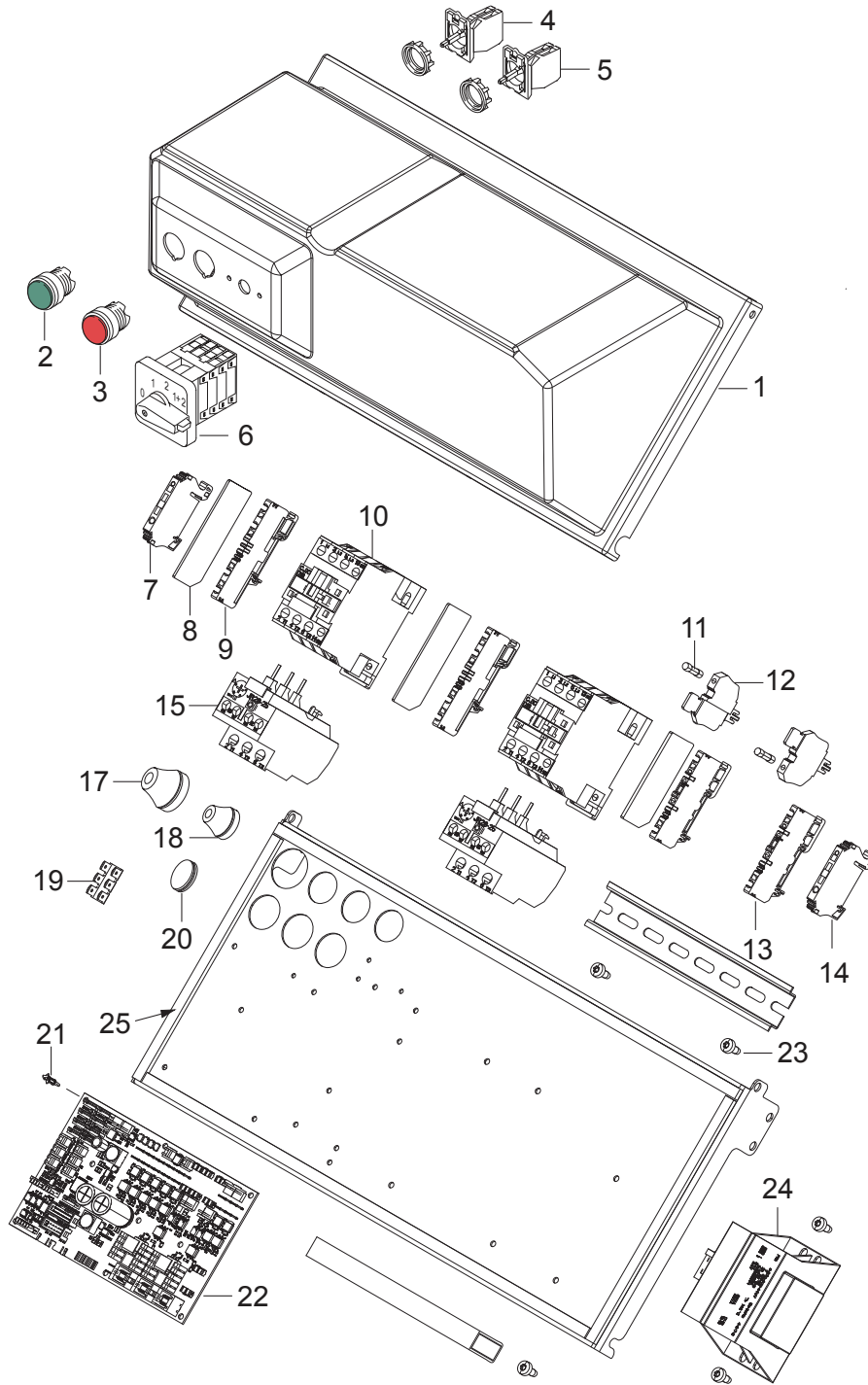
# TABLE OF CONTENTS

---

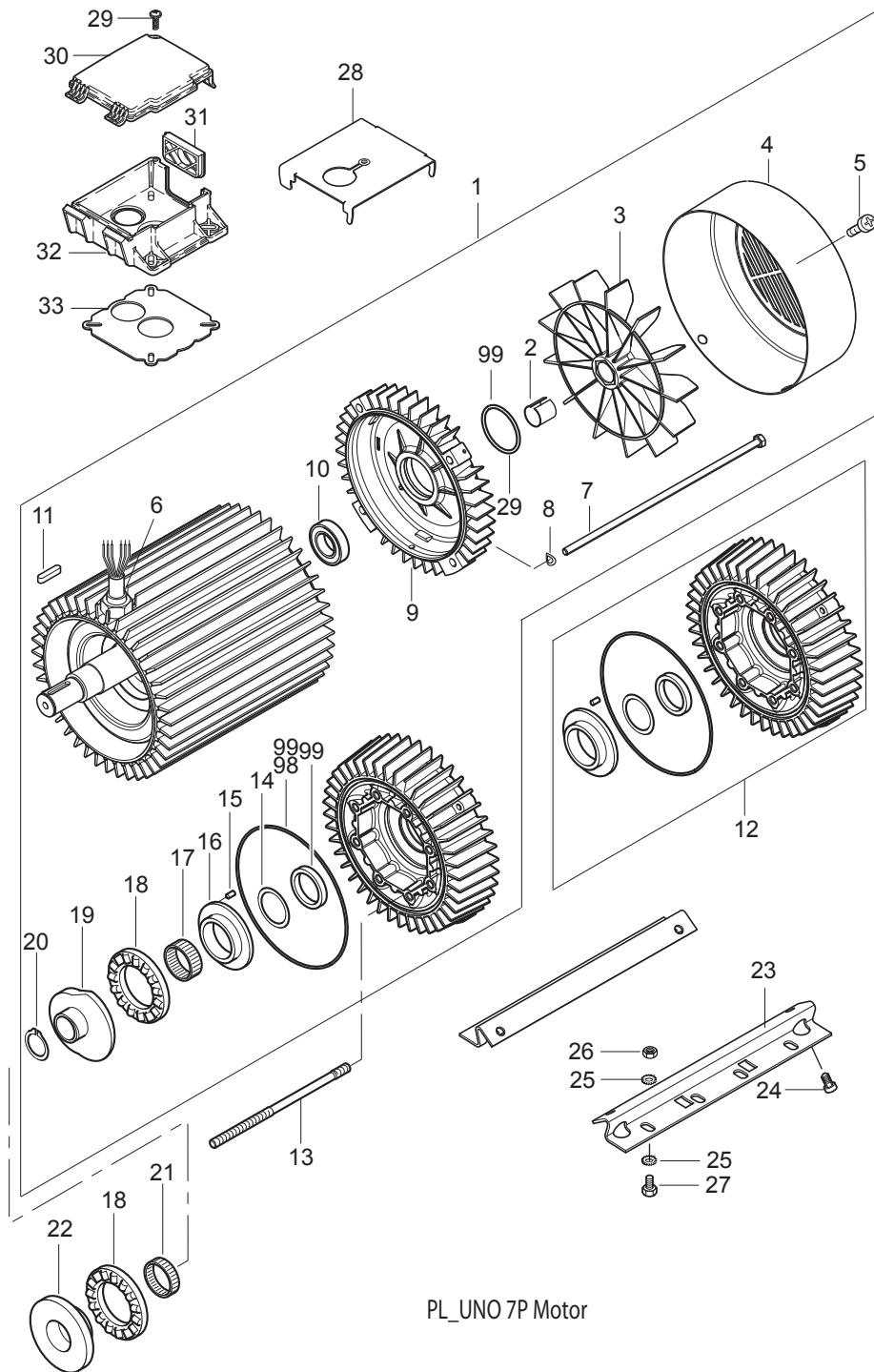
Overview_DUO.....	1
EI-box_DUO.....	3
Motor.....	5
Cylinder block.....	7
Cylinder block LOWER.....	9
Pump upper.....	11
Pump lower.....	13
Control safety block UPPER.....	15
Control safety block 2, DUO.....	17



No.	Part No.	Qty.	Description	Part Note
1	107307349	1	CABINET EPP	
2	107307350	1	CABINET EPP DUO	
3	107307353	1	CABINET SS. DUO	
4	101118162	1	SCREW KIT FOR CABINET EPP UNO/DUO	
5	101118173	1	OIL SENSOR W/PLUG KIT UNO/DUO	
6	301000615	1	COVER Ø70X15.5	
7	301000614	1	PUMP OIL CONTAINER Ø66.8X84	
8	101609356	1	NUT 1/2IN	
9	106268067	4	SCREW KIT	
10	107307313	1	HOSESTUD D10X3/8	
11	1805100	1	HOSE CLIP 8-22MM	
12	106408242	1	HOSE 5/8INCH - 2 METERS	
13	1602945	1	QUICK COUPLING 3/4 W/GASKET	
14	3001237	1	GASKET Ø24.5XØ16X3 NITRIL 80SH	
15	107141667	1	LOCK WASHER	
16	101117926	1	FILTER	
17	1800341	1	LOCK NUT 3/4IN	
18	107141669	1	WATER INLET PIPE C3	
19	8298	1	HOSE CLIP 16-27	
20	107141648	1	MANOMETER 0-300 BAR	
21	103004331	1	SLEEVE PVC 45/ 60	
22	107307316	1	MANOMETER HOSE DN2. COMPLETE	
23	101118165	2	PLUG + O-RING KIT FOR FRAME UNO/DUO	
24	107307314	1	SNAP RIVET D12/D6	
26	107307339	1	PLUG D 12.7MM PLASTIC	
27	107307338	1	PIPE CLIP D20 BR220-5 PA	
28	1805100	1	HOSE CLIP 8-22MM	
29	5206065	1	AIR PRESSURE HOSE 1/2	
30	101117718	1	CLAMP FOR PIPE	
31	1810068	8	NUT M12	
32	104601172	4	SUPPORTING BLOCK HX66-12-50	
33	1810266	8	SCREW M8X12 A2 DIN933	
34	1810274	8	WASHER M8 - DIN 6798J	
35	107307311	1	PROFIL M/P	
35	107307312	1	PROFIL M/P SS	
36	107307309	4	GUMMI METAL BUFFER D30X30	
37	1802917	4	WASHER M8 Ø8.4X18X1 A2 DIN125	
38	101118164	1	PINS KIT FOR CABINET EPP UNO/DUO	
39	107307310	1	SEALING FOR MOTOR	
40	101118163	1	BLANKING PLUGS KIT FOR FRAME UNO/DU	
41	909100021	1	HEXAGON NUT M32X1.5	
42	103821837	1	CABLE BUSHING M32X1.5	

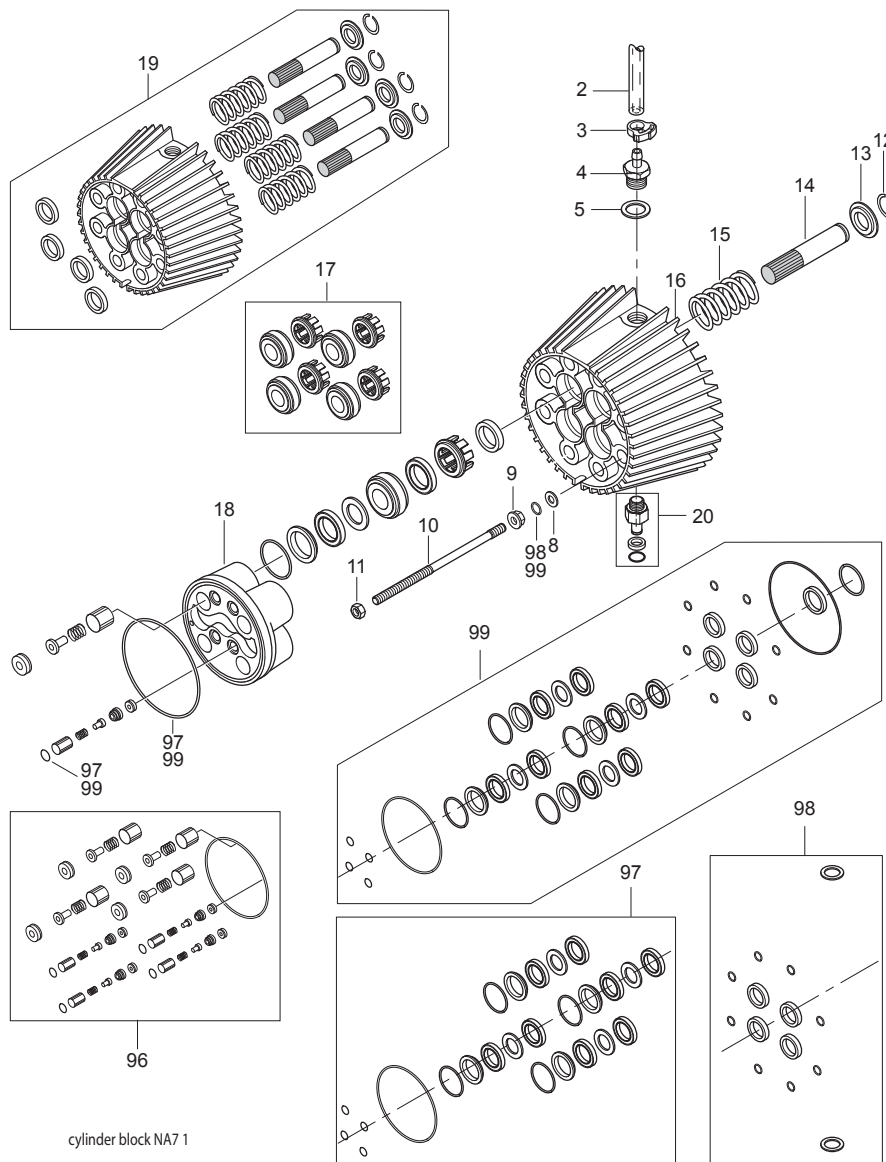


No.	Part No.	Qty.	Description	Part Note
1	107307319	1	E-BOX COVER UNO/DUO	
2	103821823	1	GREEN START PUSH BUTTON	
3	103821824	1	RED STOP PUSH BUTTON	
4	103821825	1	START SWITCH/LIGHT BLOCK NO CONTACT	
5	103821826	1	STOP SWITCH/LIGHT BLOCK NC CONTACT	
6	103821838	1	SWITCHING CONTACT DUO	
7	107307325	1	END PLATE PAP 2.5/4/4AN	
8	107307321	3	END PLATE PAP - PTR 2.5/4	
9	107307324	2	TERMINAL BLOCK PDU 2.5/4/4AN	
10	103822306	2	CONTACTOR CJX2-D18 18A 24V 3P+NO	
10	103822313	2	CONTACTOR CJX2-D25 25A 24V 3P+NO/US	
10	103822317	1	CONTACTOR CJX2-D32 32A 24V 3P+NO	
12	107307322	2	FUSE PLUG - SIHA 3/G20 - PTR 2.5/4	
11	107307323	2	FUSE D5X20 0.63A T 250V	
13	107318227	2	TEST TERMINAL PUSH-IN P-SER. PTR 2.5/4	
14	107318193	2	END BRACKET FOR DIN-RAIL	
15	103822327	2	THERMAL RELAY 12-18AMP	
15	103822328	2	THERMAL RELAY 17-25AMP	
15	103822329	2	THERMAL RELAY 23-32AMP	
17	3803798	1	RUBBER SEAL 14-20C	
18	3803780	3	GROMMET 10-14C	
19	107307326	1	EARTH CONNECTOR 6 PIN	
20	107307317	1	DIAPHRAGM GROMMENTS D30/D20.5	
21	107307320	8	MINIATURE DOUBLE LOCKING. 7MM/3.5MM	
22	107307327	1	PCBA NEO PLATFORM 13 SC UNO/DUO	
23	107141690	6	SCREW M5X12 DIN7985 TORX TAPTITE	
24	107307331	1	TRAFO 40VA PR 230-400-440.SEC1+2 24VAC	
25	107307330	1	DAFACELL 4X8MM ADHESIVE	
30	101118167	1	VARIOUS WIRES KIT FOR E-BOX UNO 400/3/50	
30	101118168	1	VARIOUS WIRES KIT FOR E-BOX UNO L 400/3/	
30	101118169	1	VARIOUS WIRES KIT FOR E-BOX UNO 440/3/60	
30	101118170	1	VARIOUS WIRES KIT FOR E-BOX DUO 400/3/50	
30	101118171	1	VARIOUS WIRES KIT FOR E-BOX DUO 440/3/60	
31		1	Power cord H07RN-F 4G2.5	
31		1	Power cord H07RN-F 4G6	
31		1	Power cord H07RN-F 4G10	
32	101118172	1	MOTORCABLES KIT FOR UNO/DUO	
33	107307329	1	PCBA HOUR COUNTER DISPLAY	



No.	Part No.	Qty.	Description	Part Note
0	5218433	1	PUMP OIL 150 1X1L	
1	107120751	1	MOTOR 6.5KW 440 220 3 60	
1	107120750	1	MOTOR 6.5KW 400 415 230 3 50	
2	1802503	1	LOCK RING FAN WHEEL	
3	107142275	1	FAN AND RETAINING RING	
4	107142276	1	COVER FOR FAN	
5	101814693	2	SCREW M4X 8 EE DIN 7500 A2	
6	107302152	1	BUSH G1 AG/G3/4	
7	31000493	4	STAY BOLT 306 MM	
8	1801182	4	SPRING WASHER M8	
9	107142277	1	REAR BEARING COVER	
10	31000149	1	REAR BEARING 6306 2Z C3 150 DEGREES RF	
11	3200672	1	TONGUE 6X6X32 A DIN 6885 ST	
12	107140615	1	FRONT BEARING COVER COMPLETE	
13	6301368	8	STUDS	
14	6100995	1	WASHER	
15	6100996	1	GUIDE PIN	
16	107120703	1	BEARING TRACK	
17	3200656	1	NEEDLE BEARING INA K 40X46X17	
18	3200615	2	AXIAL ROLLER BEARING	
19	107120710	1	WOBBLE DISC 6	
19	107120716	1	WOBBLE DISC 12	
20	1802511	1	CIRCLIP 28X1.5 DIN471A	
21	3200664	1	NEEDLE BEARING	
22	107120704	1	BEARING TRACK	
23	107142071	2	MOTOR BRACKET C3 POSEIDON 7	
24	107140908	4	SPECIAL SCREW M10x20 F. C3 BRACKET SPARE	
25	10204	8	SERRATED LOCK WASHER A10	
25	107140931	8	TOOTHED WASHER M10 SS	
26	1802966	4	Nut Hex M10 A2 DIN 934	
26	1800465	4	NUT M10 DIN 934	
27	1801133	4	SCREW M10X25 ISO4017 ZN	
27	24319	4	HEX. SCREW M10X35 ISO 4017 A2	
28	107140942	1	BRACKET /MOUSE/ POS. 7 SPARE PART	
29	10028	1	SCREW KA50X14 WN1411	
30	301000782	1	COVER ELEC.BOX 128.2X112.	
31	17106	1	INSET	
32	301000781	1	ELECTRIC BOX	
33	301000845	1	GASKET FOR ELECTRIC BOX 100.50X114X1MM N	
98	1119820	1	OIL SEAL 03/C3 REP.KIT	
99	1119570	1	GASKETS C3 REP.KIT	





cylinder block NA7 1

# CYLINDER BLOCK

SC DUO 7P-180/2400

2015.04.23

2015.05.13

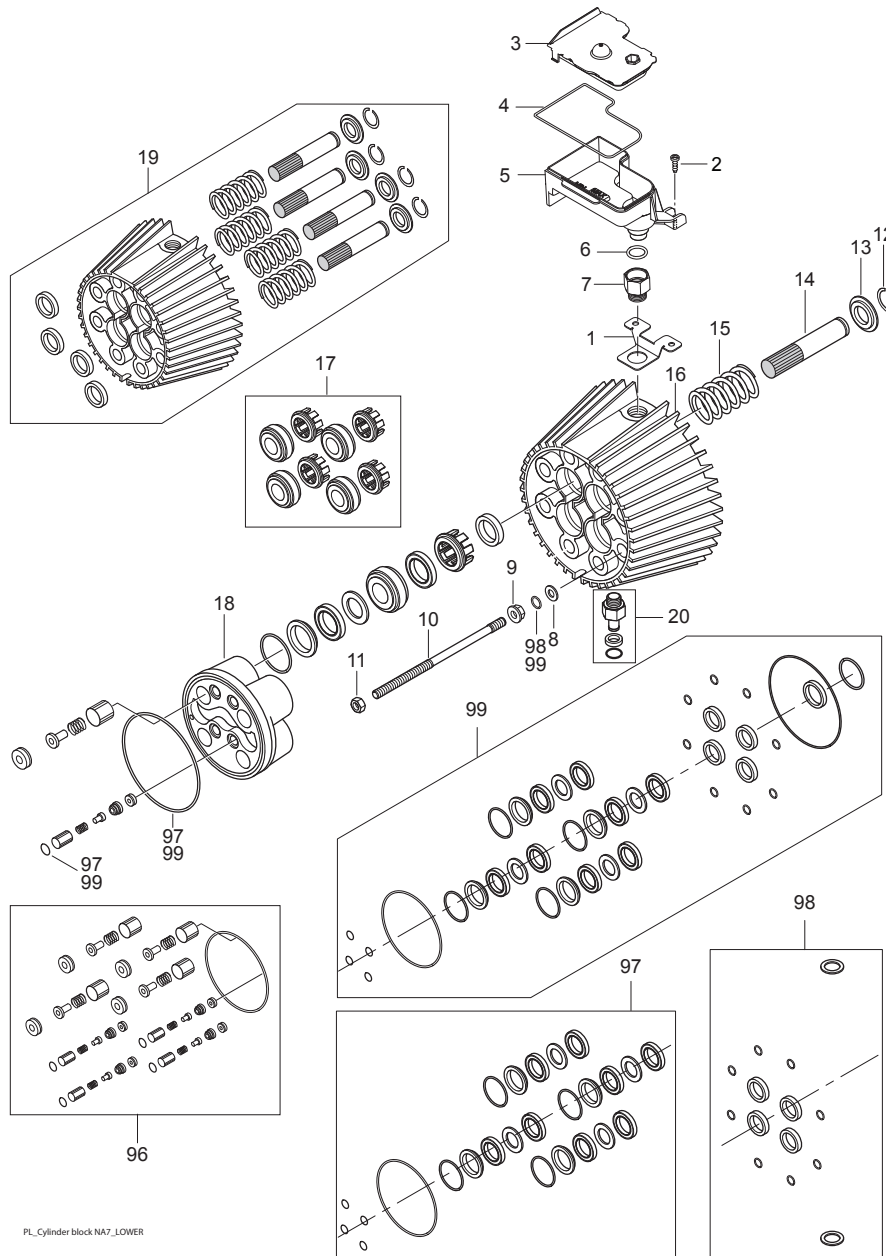
No.	Part No.	Qty.	Description	Part Note
0	5218433	1	PUMP OIL 150 1X1L	
2	106408241	2	HOSE PVC 1/4INCH TRANSPARENT - 2 METERS	
3	107307356	1		
4	107120313	1	SOCKET FOR OILHOSE	
5	107140882	1	O-RING 15.0 X 3.0 SMS 1586 NBR70	
8	6100718	8	WASHER 10X16X1	
9	6100719	8	THRUST COLLAR	
10	6301368	8	STUDS	
11	4826	8	HEXAGON NUT M10	
12	1802529	4	CIRCLIP	
13	6100666	4	RING F. RETURN SPRING	
14	6301166	4	CERAMIC PISTON C3	
15	102602517	4	RETURN SPRING C3 4.3x41x61.5 ST	
16	6100610	1	CYLINDER BLOCK	
17	107120700	4	THRUST COLLAR BACK-UP RING	
18	107120701	1	CYLINDER HEAD	
19	6300071	1	CYLINDER BLOCK COMP.	
20	101118175	1	DRAIN PLUG W/MAGNET KIT NA6	
96	1119310	1	VALVE SET 4X O2/A2/O3	
97	1119571	1	GASKETS REDUCED REP.KIT	
98	1119820	1	OIL SEAL O3/C3 REP.KIT	
99	1119570	1	GASKETS C3 REP.KIT	

# CYLINDER BLOCK LOWER

SC DUO 7P-180/2400

2015.04.23

2015.04.24



PL\_Cylinder block NA7\_LOWER

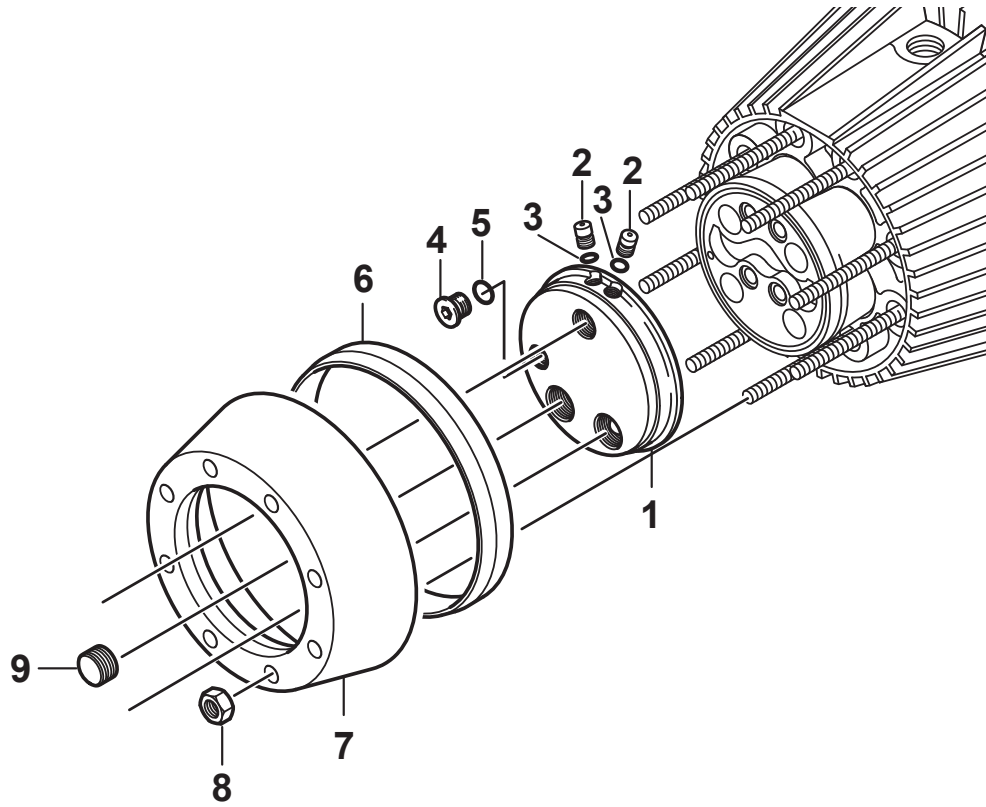
# CYLINDER BLOCK LOWER

SC DUO 7P-180/2400

2015.04.23

2015.04.24

No.	Part No.	Qty.	Description	Part Note
-	5218433	1	PUMP OIL 150 1X1L	
1	107141609	1	PLATE FOR ADAPTOR FOR OIL CONTAINER C3	
2	107140881	2	SCREW M5X12 DIN 7985 TORX	
3	107140877	1	OIL CONTAINER TOP	
4	107140878	1	SEALING TAPE D4 YARD-WAR/CELLULAR RUBBER	
5	107140879	1	OIL CONTAINER BOTTOM	
6	107140882	1	O-RING 15.0 X 3.0 SMS 1586 NBR70	
7	107141610	1	SCREW CONNECTION C3	
8	6100718	8	WASHER 10X16X1	
9	6100719	8	THRUST COLLAR	
10	6301368	8	STUDS	
11	4826	8	HEXAGON NUT M10	
12	1802529	4	CIRCLIP	
13	6100666	4	RING F. RETURN SPRING	
14	6301166	4	CERAMIC PISTON C3	
15	102602517	4	RETURN SPRING C3 4.3x41x61.5 ST	
16	6100610	1	CYLINDER BLOCK	
17	107120700	4	THRUST COLLAR BACK-UP RING	
18	107120701	1	CYLINDER HEAD	
19	6300071	1	CYLINDER BLOCK COMP.	
20	101118175	1	DRAIN PLUG W/MAGNET KIT NA6	
96	1119310	1	VALVE SET 4X O2/A2/O3	
97	1119571	1	GASKETS REDUCED REP.KIT	
98	1119820	1	OIL SEAL 03/C3 REP.KIT	
99	1119570	1	GASKETS C3 REP.KIT	



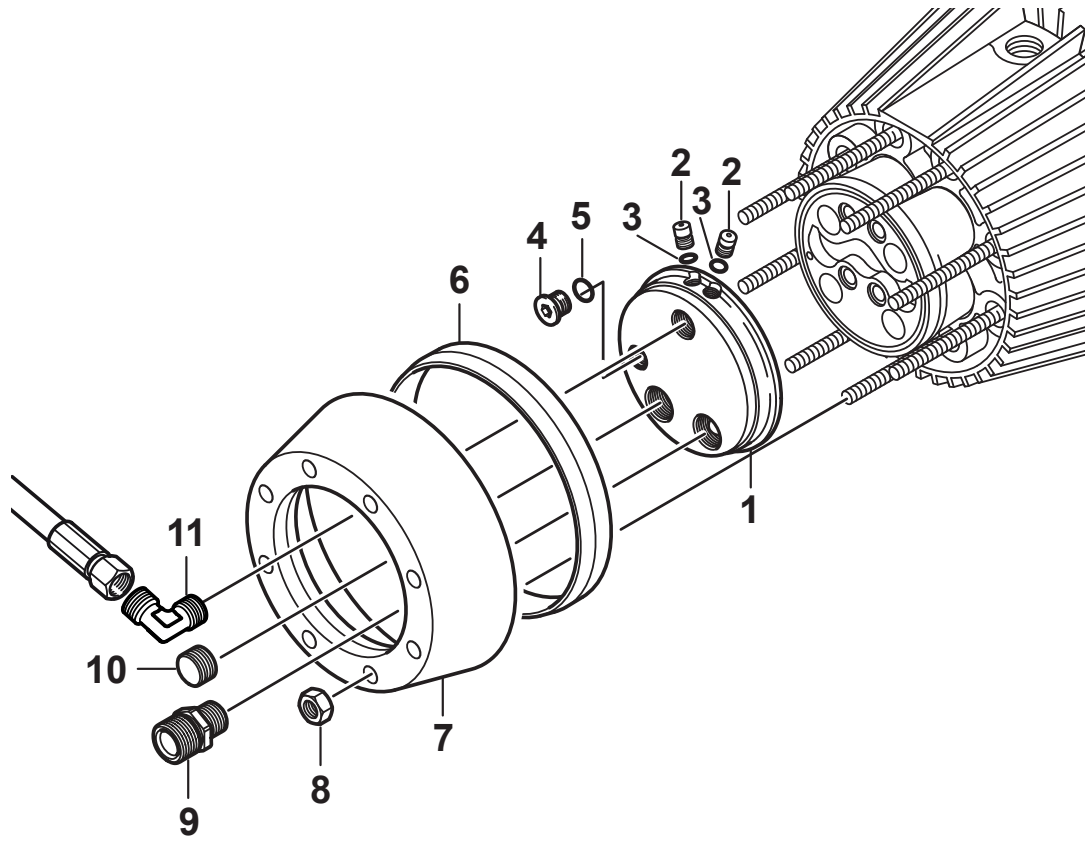
# PUMP UPPER

SC DUO 7P-180/2400

2015.05.21

2015.05.21

No.	Part No.	Qty.	Description	Part Note
1	107121500	1	CONNECTION PLATE	
2	107121501	2	PLUG D8X10.5 CUZN	
3	3000270	2	O-RING 5.1X1.6 NITRIL 70SH	
4	6180660	1	PLUG G 1/8	
5	3001740	1	O-RING 7.66X1.78 NITRIL 70SH	
6	6301392	1	RING FOR MOTOR-PUMP	
7	6100602	1	RETAINING RING	
8	1800465	8	NUT M10 DIN 934	
9	1603325	1	PLUG 1/2 INCH	



# PUMP LOWER

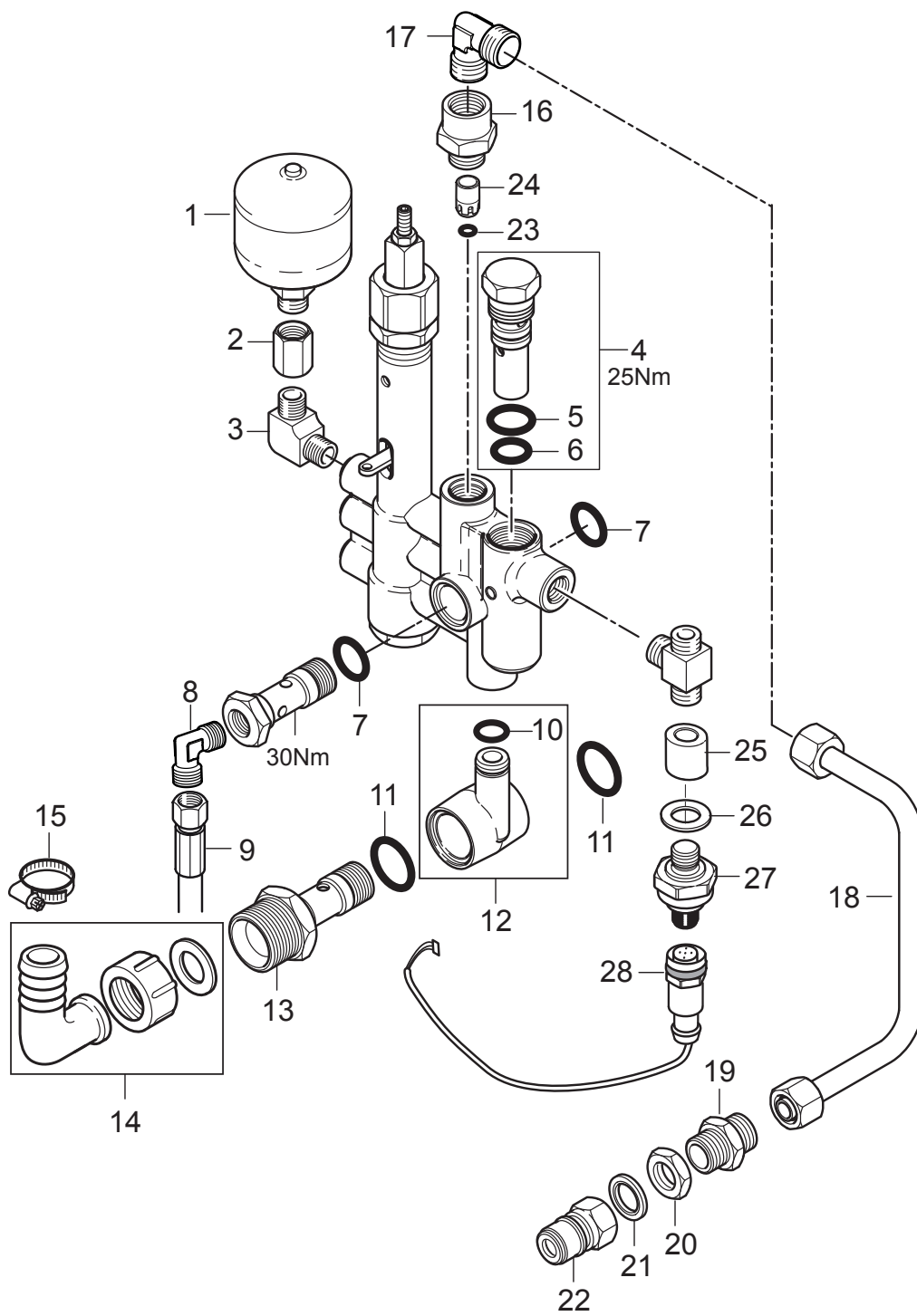
SC DUO 7P-180/2400

2015.05.21

2015.05.21

No.	Part No.	Qty.	Description	Part Note
1	107121500	1	CONNECTION PLATE	
2	107121501	2	PLUG D8X10.5 CUZN	
3	3000270	2	O-RING 5.1X1.6 NITRIL 70SH	
4	6180660	1	PLUG G 1/8	
5	3001740	1	O-RING 7.66X1.78 NITRIL 70SH	
6	6301392	1	RING FOR MOTOR-PUMP	
7	6100602	1	RETAINING RING	
8	1800465	8	NUT M10 DIN 934	
9	106162692	1	FILTER HOLDER	
10	1603325	1	PLUG 1/2 INCH	
11	1600444	1	ANGLE 12 X 3/8	





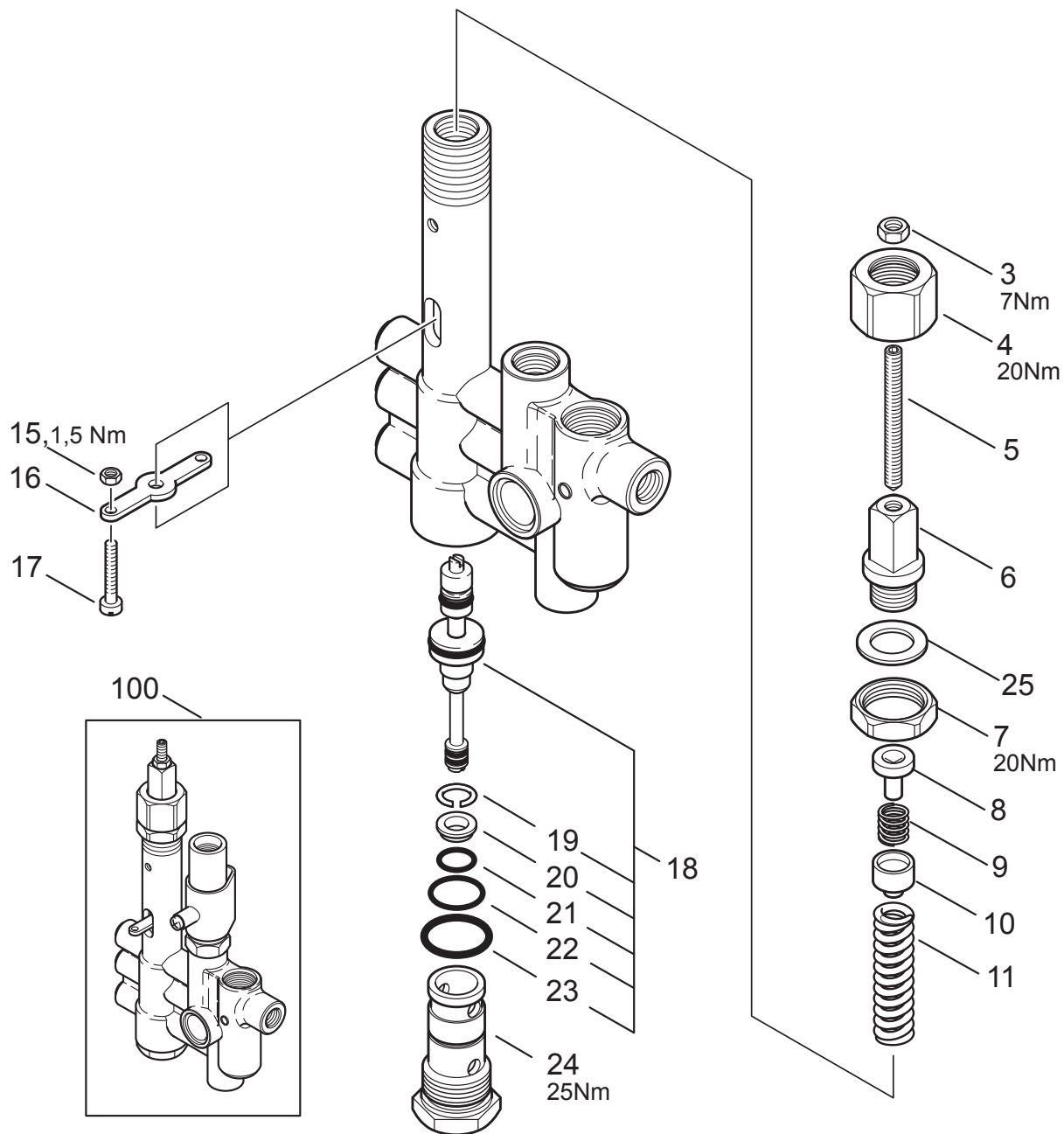
# CONTROL SAFETY BLOCK UPPER

SC DUO 7P-180/2400

2015.05.20

2015.05.20

No.	Part No.	Qty.	Description	Part Note
1	63090	1	PRESSURE ACCUMULATOR 250 BAR	
2	63136	1	MUFFE M16X1.5 SW 19X24	
3	1618	1	UNION PIECE R1/4 INCH DIN 2353 ST/ZN	
4	301000911	1	SAFETY VALVE 250 BAR	
5	16443	1	O-RING 17.0x2.0 DIN 3770 NBR70	
6	62706	1	O-RING 13.0x2.0 DIN 3770 NBR70	
7	16443	2	O-RING 17.0x2.0 DIN 3770 NBR70	
8	1600444	1	ANGLE 12 X 3/8	
9	101406031	1	HP HOSE DN10 150 DEGREE 360MM. COMPL.	
10	13739	1	O-RING 10X2 DIN 3770 NBR70	
11	24347	2	O-RING 21.0x2.5 DIN 3770 FPM80	
12	63058	1	CONNECTION	
13	301001297	1	HOLLOW SCREW G1/2-G3/4X72 SW30 PA	
14	106268101	1	HOSE COUPLING W/UNION NUT AND GASKET	
15	8298	1	HOSE CLIP 16-27	
16	107307345	1	FITTING D22X30.6 M16X1 G3/8	
17	1600444	1	ANGLE 12 X 3/8	
18	107307346	1	PIPE FOR C3 UNO. COMPLETE	
19	6200484	1	THREADED CONNECTION	
20	1803220	1	HEXAGON NUT M18X1.5 ISO 8675 ZN	
21	1801075	1	PACKING RING 23.8X17.2X2 3/8 INCH ST-NBR	
22	1603101	1	NIPPLE F/QUICK COUPLING 3/8 SS	
23	56519	1	O-RING 6.5x3.0 SMS 1586 NBR90	
24	301000905	1	PISTON D14.6X25.5	
25	107307342	1	FITTING 1/4INCH M12X1.5	
26	1810241	1	SEALING WASHER	
27	107307344	1	PRESSURE TRANSMITTER	
28	107307348	1	M12X1 CONNECTOR W/CABLE	



No.	Part No.	Qty.	Description	Part Note
3	3136	1	HEXAGON NUT M6	
4	62710	1	UNION NUT M24X1.5X21	
5	62711	1	HEADLESS SCREW M6X60 DIN 914 ST/ZN	
6	62712	1	HOLLOW SCREW M16X1X9 4KT SW12X40 ZN	
7	62696	1	HEXAGON NUT M24X1.5X6	
8	62695	1	SPRING SUPPORT	
9	62713	1	SPRING	
10	62694	1	SPRING SUPPORT	
11	40972	1	SPRING 3.5X10.5X54	
15	2759	1	HEXAGON NUT M4	
16	62717	1	CONTACT STUD	
17	5076	1	SCREW M4X25	
18	64314	1	REPAIR KIT	
19	909100001	1	RING Ø14 B DIN 7993	
20	62708	1	VALVE SEAT Ø8.5/Ø11.4/Ø13.9x4	
21	49461	1	O-RING 11.0x1.5 NBR90	
22	9523	1	O-RING 17.0x1.5 NBR70	
23	32091	1	O-RING 21.0x2.0 DIN 3770 NBR70	
24	64301	1	HOLLOW SCREW M24X1.5 Ø20 SW27 ZN	
25	103004451	1	VULCAN FIBRE WASHER Ø16X20X1.5 DIN 7737	
100	107141790	1	UNLOADER VALVE NEPTUNE 3-7	

