

SOLAR BOOSTER E From 2009

Model:
SOLAR BOOSTER 7-38E
SOLAR BOOSTER 7-58E



Stückliste Deutsch

04-09-2014

Inhalt

SOLAR BOOSTER E From 2009

| | |
|---|-----------|
| Übersicht 1 | 3 |
| Übersicht 2 | 5 |
| Elektronik -36H und 54H | 7 |
| Elektronik -18H | 10 |
| Motor-Pumpeneinheit 7 (a) | 13 |
| Motor-Pumpeneinheit 7 (b) | 15 |
| Motor-Pumpeneinheit 7 (c) | 17 |
| Motor-Pumpeneinheit 7 (d) | 19 |
| Motor-Pumpeneinheit 7 (e) | 21 |
| Heiztank | 24 |
| Zubehör/ Sonstiges | 26 |
| Maschinenverbindung MMO | 28 |
| OPTION Water inlet security | 30 |
| Druckreduzierung | 32 |
| Anti-Kalk | 34 |
| Fernsteuerung | 36 |
| 1 X Reinigungsmittel automatisch | 38 |
| 2 X Reinigungsmittel automatisch | 40 |
| 1 X Reinigungsmittel manuell -5 und 7- | 42 |
| EMPFOHLENE ERSATZTEILE | 44 |

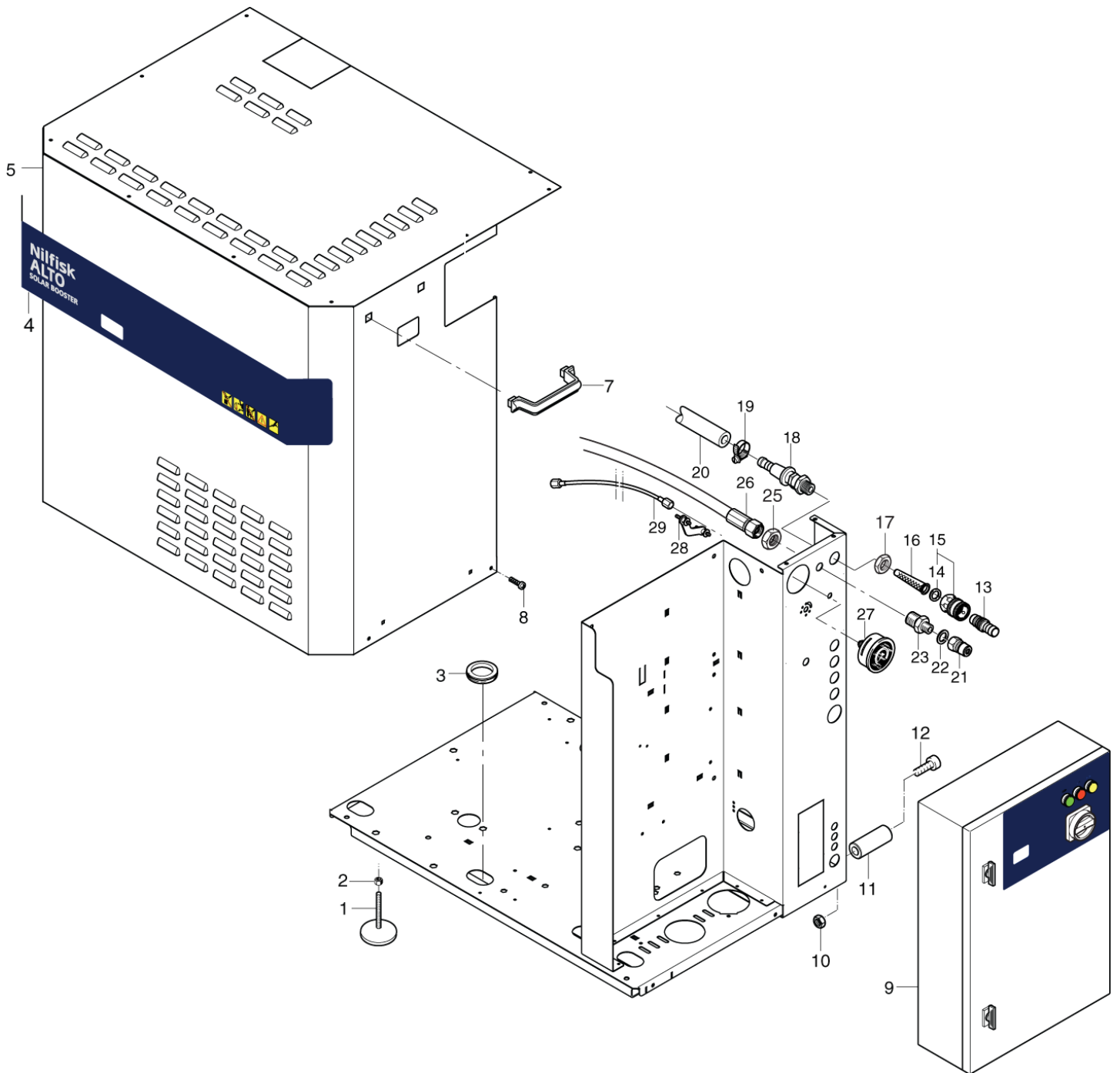
Übersicht 1

SOLAR BOOSTER E From 2009

04-09-2014

ET-Liste-Nr.
SOLARE02

3



Übersicht 1

SOLAR BOOSTER E From 2009

04-09-2014

ET-Liste-Nr.
SOLAREU2

4

| Pos | Artikelnr. | Me | Beschreibung |
|-----|------------|----|--|
| 1 | 104601172 | 4 | Halteblock M12X7 |
| 2 | 1810068 | 4 | Sechskantmutter M12 A2 |
| 3 | 103004331 | 5 | SLEEVE PVC 45/ 60 |
| 4 | 107319001 | 1 | Front label |
| 5 | 107318078 | 1 | Gehäuse Solar D/EH |
| 7 | 107318079 | 1 | HANDLE FOR CABINET |
| 8 | 101814686 | 5 | SCREW M5X16 |
| 9 | | 1 | NOTE COMMENT El-box |
| 10 | 1801905 | 3 | Mutter M8 |
| 11 | 107318080 | 3 | SPACER |
| 12 | 1812296 | 3 | SCREW M8X25 STAINLESS |
| 13 | 1600659 | 1 | Nippel |
| 14 | 3001237 | 1 | Dichtung |
| 15 | 1602945 | 1 | Kupplung Kpl. 3/4" Wasserzulauf |
| 16 | 6100941 | 1 | Filter |
| 17 | 1800341 | 1 | Mutter DIN934-3/4" |
| 18 | 6100937 | 1 | Verbindungsstück |
| 19 | 1810191 | 2 | Schlauchschele Ø14-27 |
| 20 | 107318087 | 1 | Schlauch 5/8 2 m |
| 21 | 1603101 | 1 | Nippel für Schnellkupplung RF "03KR" RF |
| 22 | 1801075 | 1 | Dichtring |
| 23 | 6200484 | 1 | Verschraubung |
| 24 | 1810076 | 1 | Zahnscheibe M18 |
| 25 | 1803220 | 1 | Mutter M18x1,5 ISO 4035 St-z SO 4035 St-zn |
| 26 | 107318088 | 1 | Hochdruckschlauch DN8 |
| 27 | 3600301 | 1 | Manometer |
| 28 | 1808088 | 1 | Spannstueck fuer Manometer (Befest-Riege r (Befest-Riege |
| 29 | 102406647 | 1 | Manometerrohr |

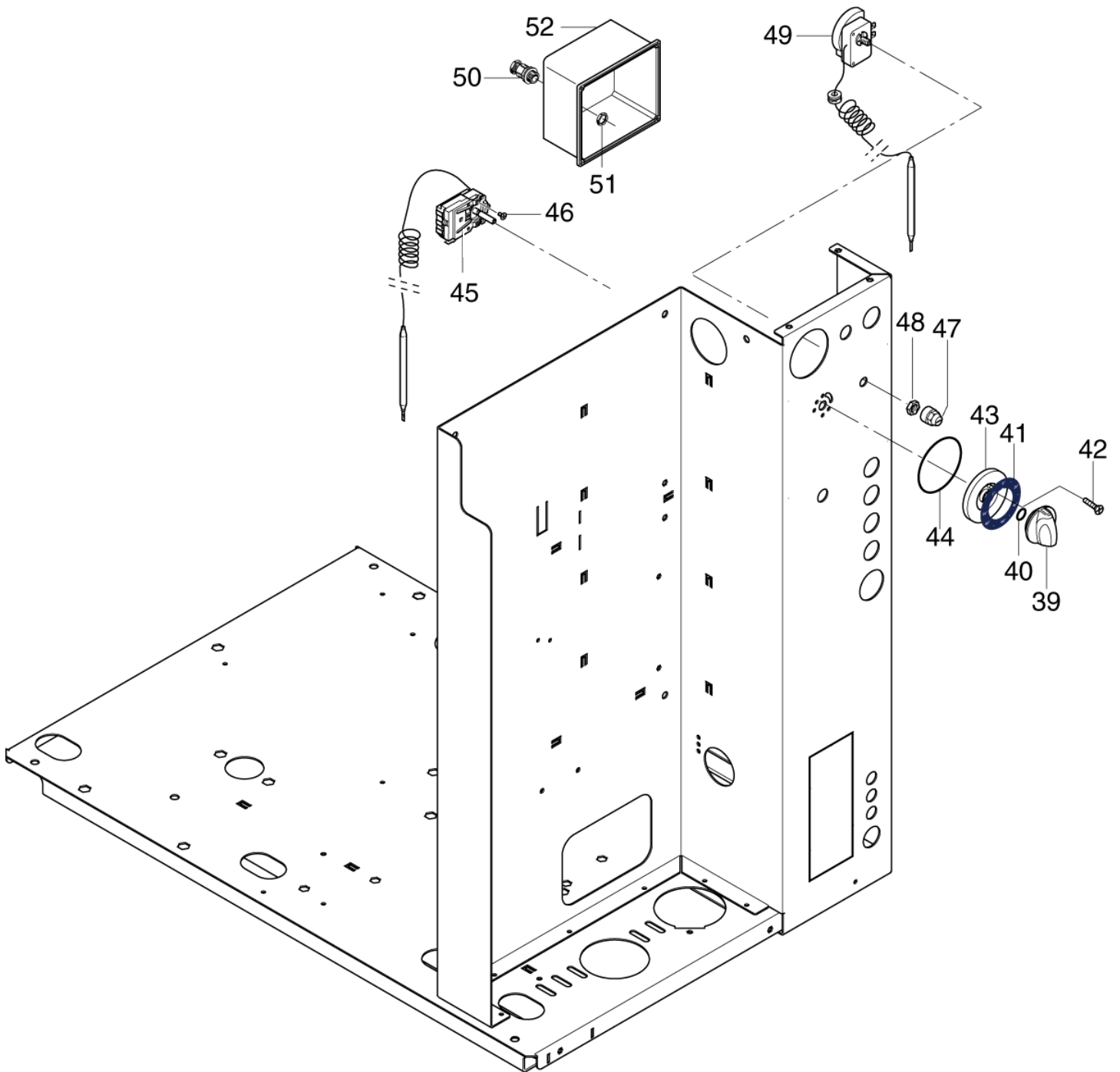
Übersicht 2

SOLAR BOOSTER E From 2009

04-09-2014

ET-Liste-Nr.
SOLARE04

5



Übersicht 2

SOLAR BOOSTER E From 2009

04-09-2014

ET-Liste-Nr.
SOLARE04

6

| Pos | Artikelnr. | Me | Beschreibung |
|-----|------------|----|---|
| 39 | 909100204 | 1 | Drehknopf Ø6x5 (Blau) |
| 40 | 9868 | 1 | O-Ring A 10x2,5-NBR70 |
| 41 | 107319071 | 1 | Beschriftung Temperaturskala |
| 42 | 1801612 | 2 | Schraube |
| 43 | 107313045 | 1 | Sockel kpl. |
| 44 | 3001443 | 1 | O-Ring |
| 45 | 107318150 | 1 | THERMOSTAT 0-85 |
| 46 | 1801612 | 2 | Schraube |
| 47 | 34970 | 1 | Kappe f. Temp.-Begrenzer |
| 48 | 47313 | 1 | Mutter M10x1x3 |
| 49 | 103822046 | 1 | Sicherheitsthermostat 97°C Ltg 1750mm 97°C (1750mm) (Alt 47358) |
| 50 | 103821788 | 1 | CABLE BUSHING |
| 51 | 103821789 | 1 | NUT M12X1.5 PA |
| 52 | 107318085 | 1 | COVER FOR EL-BOX SOLAR E |

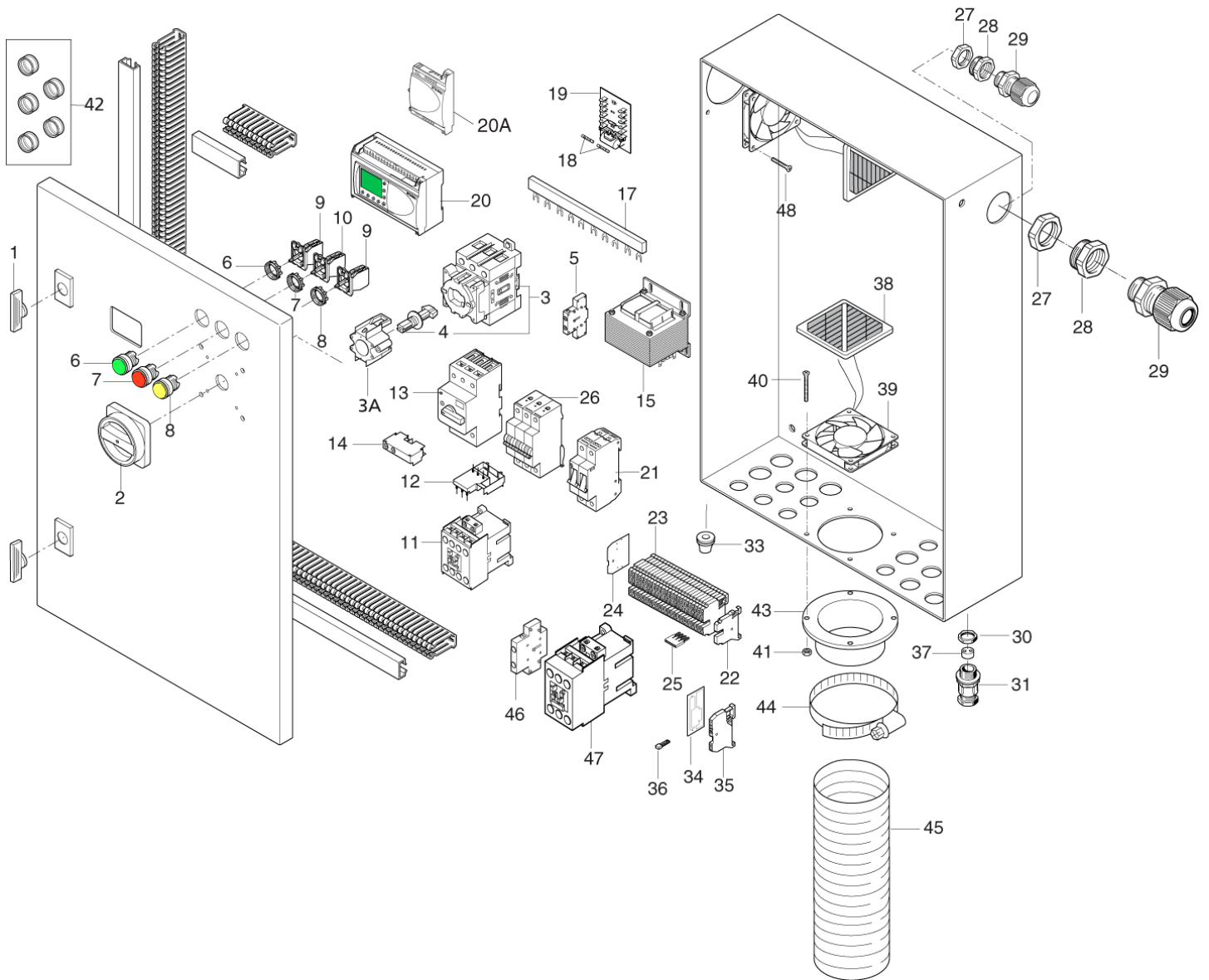
Elektronik -36H und 54H

SOLAR BOOSTER E From 2009

04-09-2014

ET-Liste-Nr.
SOLARE06

7



Elektronik -36H und 54H

SOLAR BOOSTER E From 2009

04-09-2014

ET-Liste-Nr.
SOLAREU6

8

| Pos | Artikelnr. | Me | Beschreibung | |
|-----|------------|----|--|------------------------|
| 1 | 103821959 | 2 | KEY | |
| 2 | 3830121 | 1 | Griff für Hauptschalter | |
| 3 | 103821895 | 1 | Hauptschalter 100A | |
| 3 | 103821908 | 1 | Hauptschalter 63A | |
| 4 | 103821961 | 1 | Achse für Hauptschalter 100A 100 A | |
| 4 | 7350149 | 1 | Achse für Hauptschalter | |
| 5 | 107318225 | 1 | Hilfsschalter | |
| 6 | 103821823 | 1 | Leuchttaster Vorsatz grün | |
| 7 | 103821824 | 1 | Leuchttaster Vorsatz rot | |
| 8 | 103821900 | 1 | Hauptschalter mit beleuchteter Anzeige teter Anzeige | |
| 9 | 103821825 | 2 | Tastschalter Schließer | |
| 10 | 103821826 | 1 | Tastschalter Öffner | |
| 11 | 103822306 | 1 | Schütz CJX2-D18-B7 24V | |
| 11 | 103822317 | 1 | Schütz CJX2-D32-B7 24V | |
| 12 | 103821899 | 1 | Connection modul | |
| 13 | 103821898 | 1 | Überstromrelais 10-16A | From week 34 2009 |
| 13 | 3817319 | 1 | Höchststromschalter KTA3-25-16 25-16 | Up to week 34 2009 |
| 14 | 103821929 | 1 | Hilfsschalter | |
| 15 | 103821846 | 1 | Steuertrafo 400V | |
| 15 | 103821847 | 1 | Steuertrafo 230V 24/19V | |
| 17 | 107318105 | 1 | elekt. Steckleist 6-fach | 36H |
| 17 | 107318106 | 1 | elektr. Steckleiste 9-fach | 54H |
| 18 | 3812385 | 2 | Feinsicherung 6,3 A Ø5x20 | |
| 19 | 106420051 | 1 | Steuerelektronik "UNO DUO BOOSTER" BOOSTER" | |
| 20 | 106426055 | 1 | PLC M/ALTO-PROGRAM SOLAR E | |
| 21 | 103821905 | 1 | Sicherung | |
| 22 | 103821922 | 6 | End stop | |
| 23 | 103821920 | 27 | Reihenklemme | |
| 24 | 103821921 | 1 | End plate | |
| 25 | 103821924 | 2 | Brücke 4-polig | |
| 26 | 107318096 | 3 | Schutzvorrichtung | 2 pcs. 36H, 3 pcs. 54H |
| 27 | 103821832 | 1 | NUT M25X1.5 PA/L GREY | OPTION |
| 27 | 103821842 | 1 | Mutter | |
| 28 | 103821874 | 1 | REDUCTION M40/M25 | |
| 29 | 103821831 | 1 | CABLE BUSHING | |
| 29 | 103821872 | 1 | CABLE BUSHING M40X1.5 | OPTION |
| 30 | 103821778 | 4 | NUT M20X1.5 | |
| 31 | 103821785 | 4 | Kabelverschraubung | |
| 33 | 3803780 | 9 | Tülle | |
| 34 | 103821968 | 1 | Platte | |
| 35 | 103821967 | 6 | Klemmleiste | |
| 36 | 103821969 | 2 | Brücke | |
| 37 | 103821942 | 1 | INSERT 2X4 | |

Elektronik -36H und 54H

SOLAR BOOSTER E From 2009

04-09-2014

ET-Liste-Nr.
SOLAREU6

9

| Pos | Artikelnr. | Me | Beschreibung | |
|-----|------------|----|---|------------------------|
| 37 | 103821946 | 1 | Insert 3x6.5 | |
| 38 | 107318098 | 2 | FILTER COVER FOR FAN | |
| 39 | 107318099 | 2 | FAN 80X80X20 24V | |
| 3A | 103821907 | 3 | Shaft extensions (x2) | |
| 40 | 107318103 | 4 | SCREW M4X40 DIN965-A | |
| 41 | 1800127 | 8 | Gegenmutter | |
| 42 | 107318028 | 1 | Schutzkappe 5 St. | |
| 43 | 107318100 | 1 | FLANGE FOR EL-BOX | |
| 44 | 107318102 | 1 | HOSE CLAMP 71-95MM | |
| 45 | 107318101 | 1 | FLEXIBLE HOSE D90 L 250MM | |
| 46 | 3821748 | 1 | AUXILIARY SWITCH AB 100-SB10 | Up to week 34 2009 |
| 47 | 103822317 | 3 | Schütz CJX2-D32-B7 24V | 2 pcs. 36H, 3 pcs. 54H |
| 48 | 107318083 | 4 | SCREW M4X35 DIN965-A 4X | |
| 20A | 103821948 | 1 | Trägerschiene für Reihenklemme AL2-4EYR | |

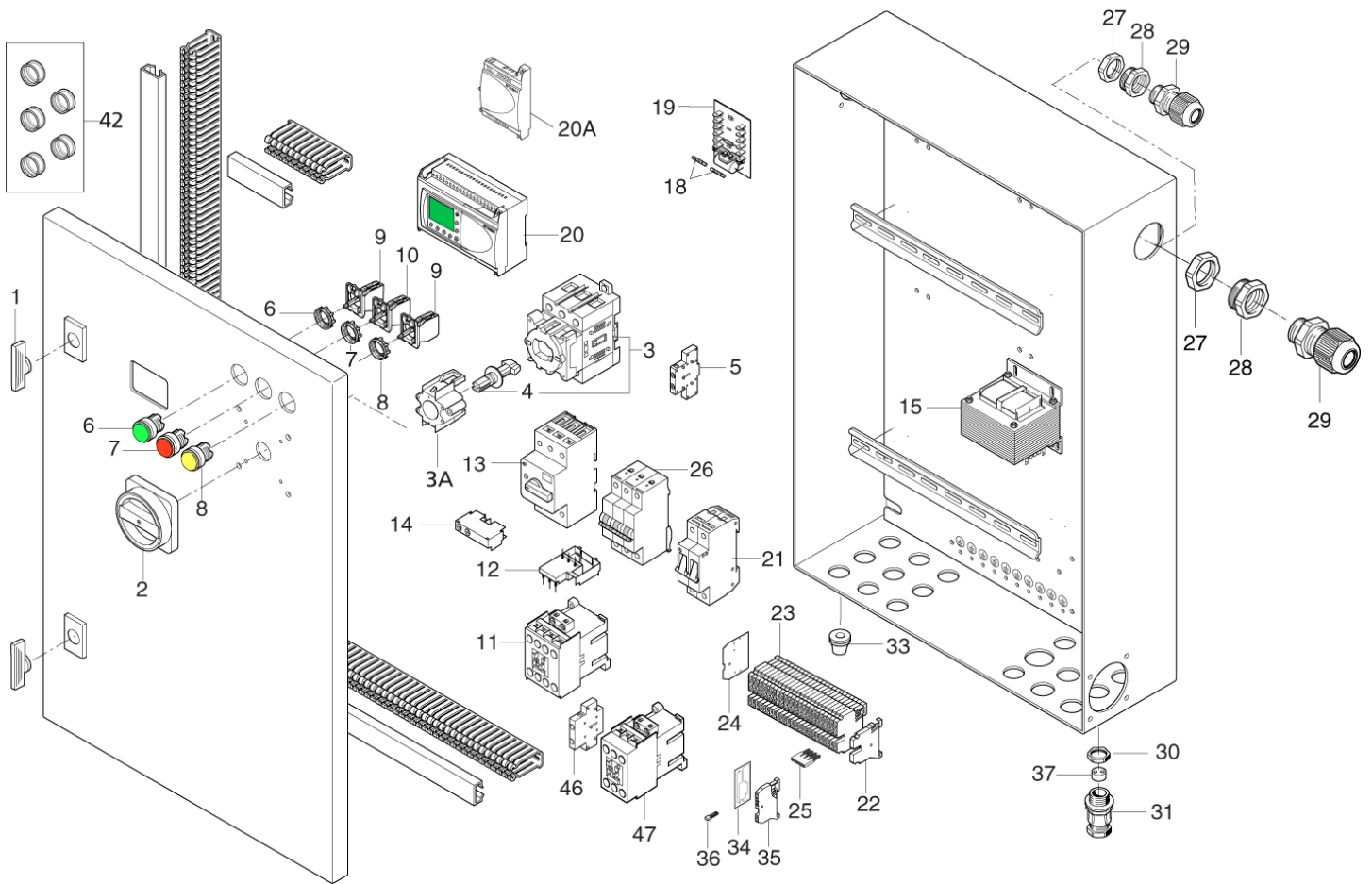
Elektronik -18H

SOLAR BOOSTER E From 2009

04-09-2014

ET-Liste-Nr.
SOLARE08

10



Elektronik -18H

SOLAR BOOSTER E From 2009

04-09-2014

ET-Liste-Nr.
SOLARE08

11

| Pos | Artikelnr. | Me | Beschreibung | |
|-----|------------|----|--|--------------------|
| 1 | 103821959 | 1 | KEY | |
| 2 | 3830121 | 1 | Griff für Hauptschalter | |
| 3 | 103821908 | 1 | Hauptschalter 63A | |
| 4 | 7350149 | 1 | Achse für Hauptschalter | |
| 5 | 107318225 | 1 | Hilfsschalter | |
| 6 | 103821823 | 1 | Leuchttaster Vorsatz grün | |
| 7 | 103821824 | 1 | Leuchttaster Vorsatz rot | |
| 8 | 103821900 | 1 | Hauptschalter mit beleuchteter Anzeige teter Anzeige | |
| 9 | 103821825 | 1 | Tastschalter Schließer | |
| 10 | 103821826 | 1 | Tastschalter Öffner | |
| 11 | 103822306 | 1 | Schütz CJX2-D18-B7 24V | |
| 11 | 103822317 | 1 | Schütz CJX2-D32-B7 24V | |
| 12 | 103821899 | 1 | Connection modul | |
| 13 | 103821898 | 1 | Überstromrelais 10-16A | From week 34 2009 |
| 13 | 3817319 | 1 | Höchststromschalter KTA3-25-16 25-16 | Up to week 34 2009 |
| 14 | 103821929 | 1 | Hilfsschalter | |
| 15 | 103821846 | 1 | Steuertrafo 400V | |
| 18 | 3812385 | 1 | Feinsicherung 6,3 A Ø5x20 | |
| 19 | 106420051 | 1 | Steuerelektronik "UNO DUO BOOSTER" BOOSTER" | |
| 20 | 106426055 | 1 | PLC M/ALTO-PROGRAM SOLAR E | |
| 21 | 103821905 | 1 | Sicherung | |
| 22 | 103821922 | 6 | End stop | |
| 23 | 103821920 | 27 | Reihenklemme | |
| 24 | 103821921 | 1 | End plate | |
| 25 | 103821924 | 2 | Brücke 4-polig | |
| 26 | 107318096 | 1 | Schutzvorrichtung | |
| 27 | 103821832 | 1 | NUT M25X1.5 PA/L GREY | OPTION |
| 27 | 103821842 | 1 | Mutter | |
| 28 | 103821874 | 1 | REDUCTION M40/M25 | |
| 29 | 103821831 | 1 | CABLE BUSHING | |
| 29 | 103821872 | 1 | CABLE BUSHING M40X1.5 | OPTION |
| 30 | 103821778 | 4 | NUT M20X1.5 | |
| 31 | 103821785 | 4 | Kabelverschraubung | |
| 33 | 3803780 | 9 | Tülle | |
| 34 | 103821968 | 1 | Platte | |
| 35 | 103821967 | 6 | Klemmleiste | |
| 36 | 103821969 | 2 | Brücke | |
| 37 | 103821942 | 1 | INSERT 2X4 | |
| 37 | 103821946 | 1 | Insert 3x6.5 | |
| 3A | 103821907 | 3 | Shaft extensions (x2) | |
| 42 | 107318028 | 1 | Schutzkappe 5 St. | |
| 46 | 3821748 | 1 | AUXILIARY SWITCH AB 100-SB10 | Up to week 34 2009 |
| 47 | 103822317 | 1 | Schütz CJX2-D32-B7 24V | |

Elektronik -18H
SOLAR BOOSTER E From 2009

04-09-2014

ET-Liste-Nr.
SOLARE08

12

| Pos | Artikelnr. | Me | Beschreibung |
|------------|-------------------|-----------|---|
| 20A | 103821948 | 1 | Trägerschiene für Reihenklemme AL2-4EYR |

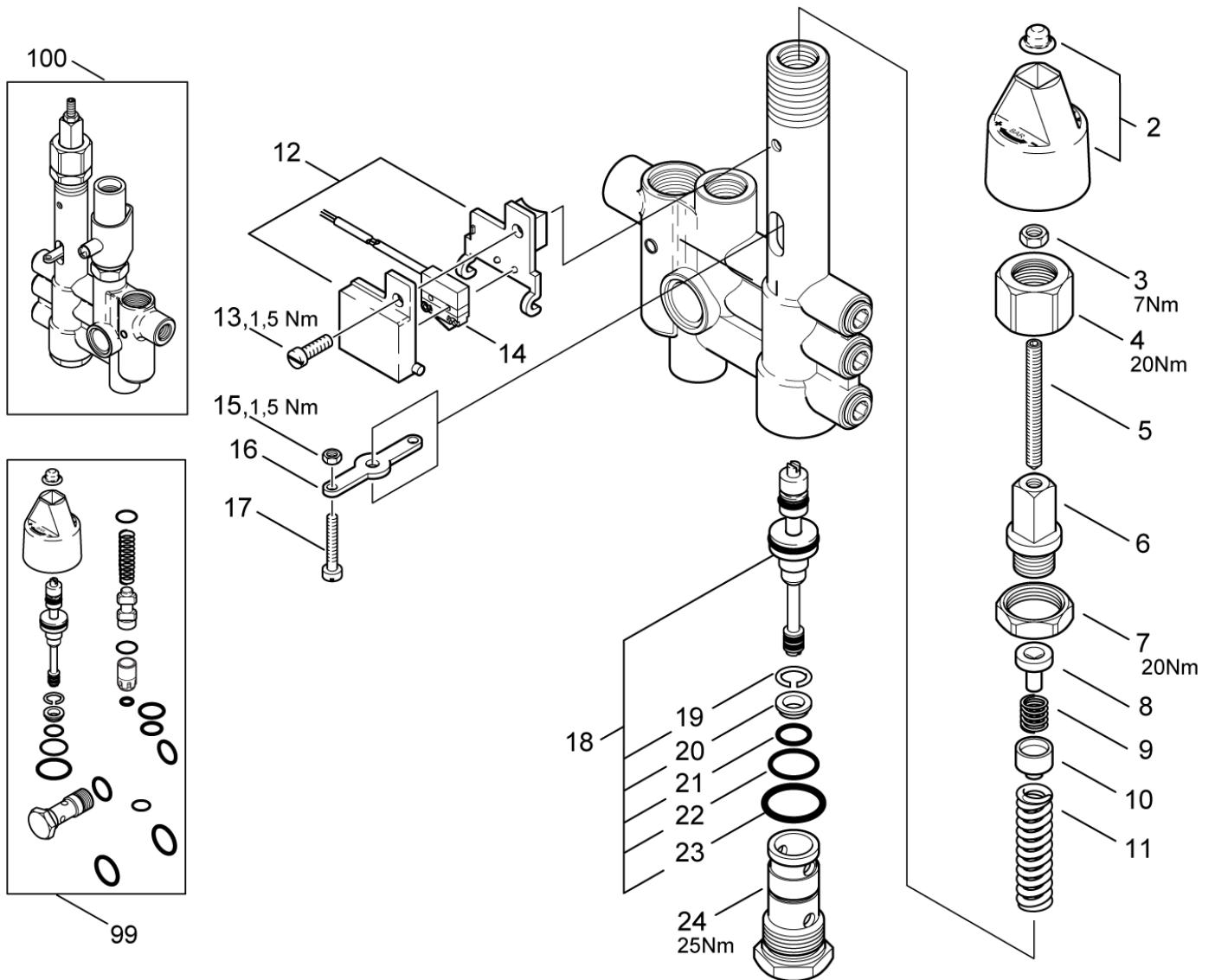
Motor-Pumpeneinheit 7 (a)

SOLAR BOOSTER E From 2009

04-09-2014

ET-Liste-Nr.
SOLARB10

13



Motor-Pumpeneinheit 7 (a)

SOLAR BOOSTER E From 2009

04-09-2014

ET-Liste-Nr.
SOLARB10

14

| Pos | Artikelnr. | Me | Beschreibung | |
|-----|------------|----|--|-------------------------|
| 2 | 62397 | 1 | Drehgriff u. 62699) | part of pos. 99 |
| 3 | 3136 | 1 | Mutter DIN934-M6-10 ISO 4032 zn | part of pos. 100 |
| 4 | 62710 | 1 | Überwurfmutter 1 | part of pos. 100 |
| 5 | 62711 | 1 | Gewindestift DIN914-M6x60 | part of pos. 100 |
| 6 | 62712 | 1 | Hohlschraube | part of pos. 100 |
| 7 | 62696 | 1 | Sechskantmutter M24x1,5 6 | part of pos. 100 |
| 8 | 62695 | 1 | Federhalter | part of pos. 100 |
| 9 | 62713 | 1 | Feder | part of pos. 100 |
| 10 | 62694 | 1 | Federhalter | part of pos. 100 |
| 11 | 40972 | 1 | Feder | part of pos. 100 |
| 12 | 62401 | 1 | Halter (Ers. für 6182937) | |
| 13 | 3349 | 1 | Flachkopfschraube DIN85-M5x16-8.8 | |
| 14 | 301000731 | 1 | Schalter | |
| 15 | 2759 | 1 | Mutter DIN934-M4-8 ISO 4032 -8 zn | |
| 16 | 62717 | 1 | Hebel | part of pos. 100 |
| 17 | 5076 | 1 | Zylinderschraube DIN84-M4x25-4.8 | |
| 18 | 64314 | 1 | Reparatursatz Steuerkolben | part of pos. 99 and 100 |
| 19 | 909100001 | 1 | Sprengring DIN7993-B14 | part of pos. 99 and 100 |
| 20 | 62708 | 1 | Ventilsitzring 3,9x4 | part of pos. 99 and 100 |
| 21 | 49461 | 1 | O-Ring A 11x1,5-NBR90 | part of pos. 99 and 100 |
| 22 | 9523 | 1 | O-Ring A 17x1,5-NBR70 | part of pos. 99 and 100 |
| 23 | 32091 | 1 | O-RING 21x2-NBR70 | part of pos. 99 and 100 |
| 24 | 64301 | 1 | Hohlschraube | part of pos. 100 |
| 99 | 301001195 | 1 | Reparatursatz Regelsicherheitsblock | 51, 57 |
| 99 | 63056 | 1 | Reparatursatz Regelsicherheitsblock | 37 |
| 100 | 301000903 | 1 | Regelsicherheitsblock pt.5" (3 - phasig) | 250BAR |

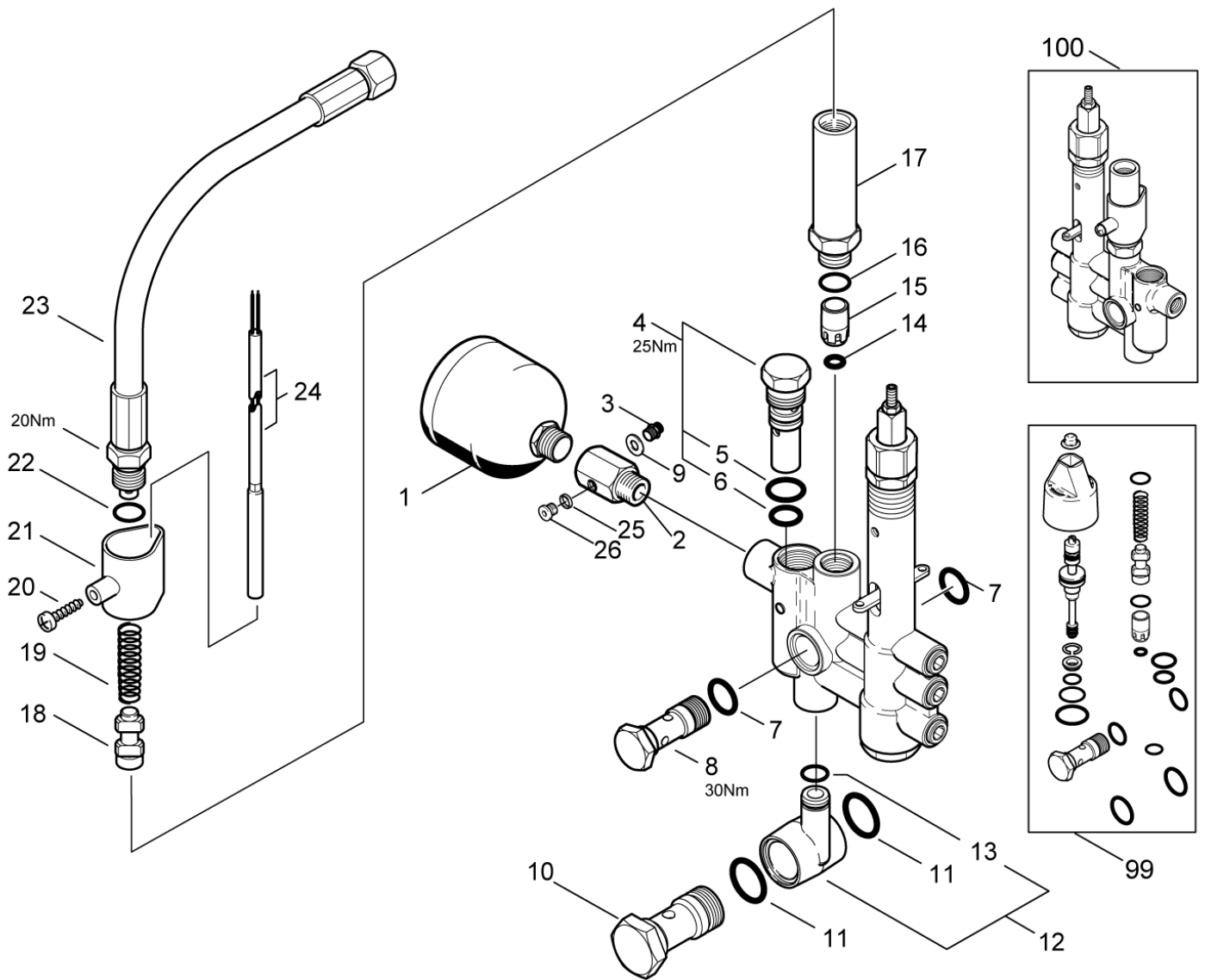
Motor-Pumpeneinheit 7 (b)

SOLAR BOOSTER E From 2009

04-09-2014

ET-Liste-Nr.
SOLARB12

15



Motor-Pumpeneinheit 7 (b)

SOLAR BOOSTER E From 2009

04-09-2014

ET-Liste-Nr.
SOLARB12

16

| Pos | Artikelnr. | Me | Beschreibung | |
|-----|------------|----|--|---------------------------|
| 1 | 63090 | 1 | Hydrospeicher ar | |
| 2 | 107312001 | 1 | Muffe | |
| 3 | 1821 | 1 | Verbindungsstück | |
| 4 | 301000911 | 1 | Sicherheitsventil r | 51,57 |
| 4 | 62730 | 1 | Sicherheitsventil r | 37 |
| 5 | 16443 | 1 | O-Ring 17,0 x 2,0 DIN 3770 NBR70 | part of pos. 99 |
| 6 | 62706 | 1 | O-Ring A 13x2-NBR70 | part of pos. 99 |
| 7 | 16443 | 2 | O-Ring 17,0 x 2,0 DIN 3770 NBR70 | part of pos. 99 |
| 8 | 62697 | 1 | Hohlschraube | part of pos. 99 |
| 9 | 101814735 | 1 | Dichtring | |
| 10 | 107121503 | 1 | Hohlschraube | |
| 11 | 24347 | 2 | O-RING 21x2,5-FPM80 IN 3770 | part of pos. 99 |
| 12 | 63058 | 1 | Anschlussstück | |
| 13 | 13739 | 1 | O-Ring A 10x2-NBR70 3770 NBR70 | part of pos. 99 |
| 14 | 56519 | 1 | O-Ring A 6,5x3-NBR90 | part of pos. 99 and 100 |
| 15 | 301000905 | 1 | Kolben | part of pos. 99 and 100 |
| 16 | 16998 | 1 | O-Ring A 14x1,5-NBR70 | part of pos. 99 and 100 |
| 17 | 62722 | 1 | Kolbenführung | part of pos. 100 |
| 18 | 57571 | 1 | Kolben | part of pos. 99 for 37 |
| 18 | 63538 | 1 | Kolben | part of pos. 99 for 51,57 |
| 19 | 6231 | 1 | Feder | part of pos. 99 |
| 20 | 10028 | 1 | Schraube P5x14 WN1411 verz | part of pos 100 |
| 21 | 62399 | 1 | Halter | part of pos.100 |
| 22 | 62706 | 1 | O-Ring A 13x2-NBR70 | part of pos. 99 |
| 23 | 101406030 | 1 | Schlauch 8x1000 DKL M18x1,5 3/8" | |
| 24 | 301002458 | 1 | Reedschalter (Ers. f. 301000694) | |
| 25 | 101814735 | 1 | Dichtring | |
| 26 | 4443 | 1 | Shr Vers. G1/8 DIN 908 Z 08 Zn | |
| 99 | 301001195 | 1 | Reparatursatz Regelsicherheitsblock | 51,57 |
| 99 | 63056 | 1 | Reparatursatz Regelsicherheitsblock | 37 |
| 100 | 301000903 | 1 | Regelsicherheitsblock pt.5" (3 - phasig) | 250BAR |

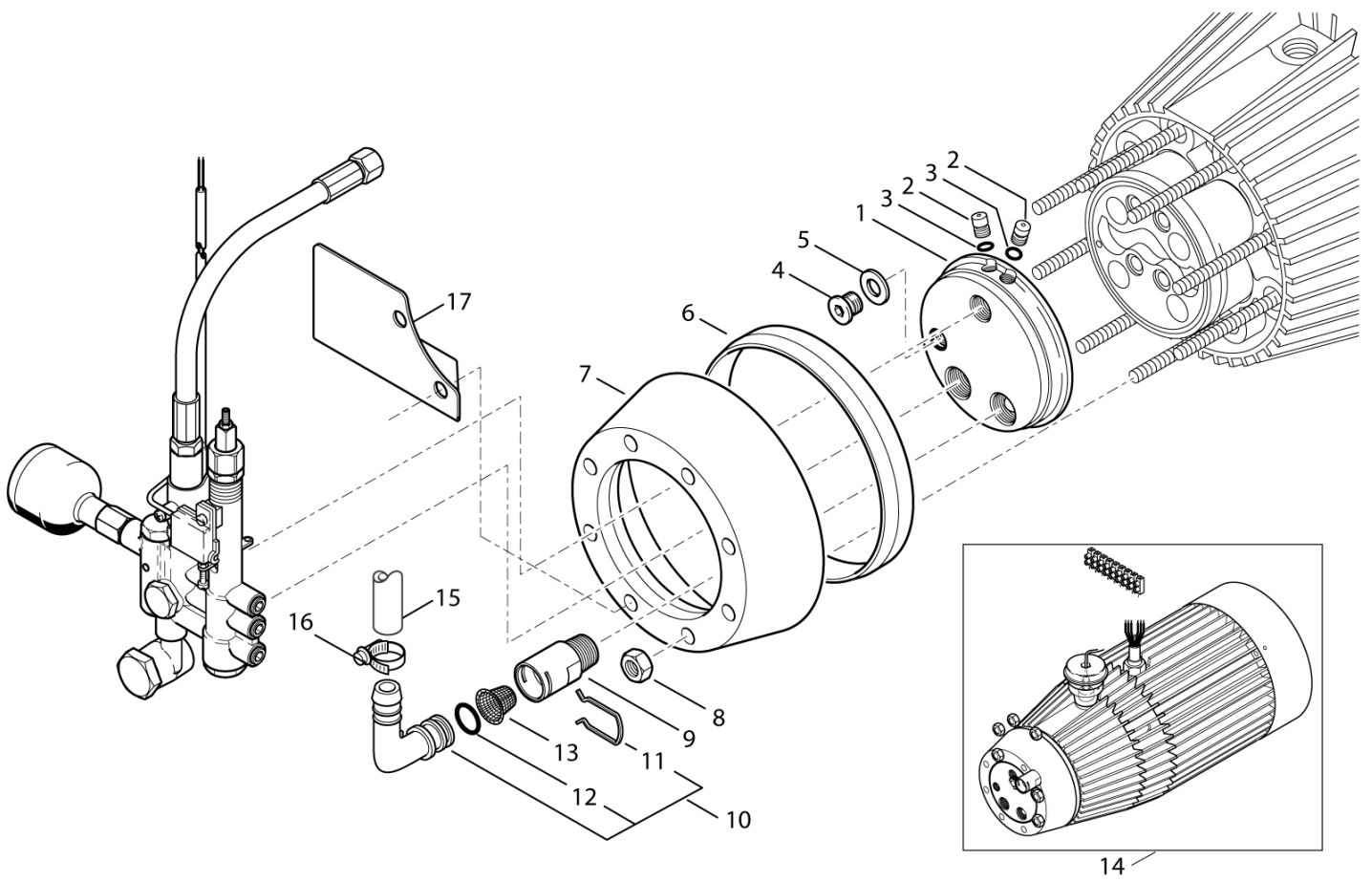
Motor-Pumpeneinheit 7 (c)

SOLAR BOOSTER E From 2009

04-09-2014

ET-Liste-Nr.
SOLARB14

17



Motor-Pumpeneinheit 7 (c)

SOLAR BOOSTER E From 2009

04-09-2014

ET-Liste-Nr.
SOLARB14

18

| Pos | Artikelnr. | Me | Beschreibung |
|-----|------------|----|---|
| 1 | 107121500 | 1 | Scheibe Ø109x22 |
| 2 | 107121501 | 2 | Stopfen Ø8x10,5 |
| 3 | 3000270 | 2 | O-Ring 5,1 x 1,6 SMS 1586 NBR70 |
| 4 | 6180660 | 1 | Pfropfen |
| 5 | 3001740 | 1 | O-Ring 7,66x1,78 ARP AS 568 A NBR70 |
| 6 | 6301392 | 1 | Abstandsring |
| 7 | 6100602 | 1 | Spannring |
| 8 | 1800465 | 8 | Mutter DIN934-M10x1-10 Mutter M10 |
| 9 | 107121502 | 1 | Hülse |
| 10 | 1119210 | 1 | Winkelstutzen kel |
| 11 | 6180661 | 1 | Klammer |
| 12 | 3004226 | 1 | O-Ring Ø13x3 |
| 13 | 107312039 | 1 | Filter |
| 14 | 107310000 | 1 | Pumpenaggr. 6,5kW 400-415,230/3/50 SOLA Solar Booster 7-57 D 58E, 7-58G |
| 14 | 107310001 | 1 | Pumpenaggr. 5,5kW 400-415,230/3/50 SOLA for 7-51D, 7-51GH and 7-52GH |
| 14 | 107310002 | 1 | Pumpenaggr. 5,5kW 400-415,230/3/50 SOLA S7-37E EU 7-37E and 7-38E |
| 14 | 107310010 | 1 | Pumpenaggr. 6,5kW 400-415,230/3/50 stat for 7-63D |
| 15 | 107318087 | 1 | Schlauch 5/8 2 m |
| 16 | 8298 | 1 | Schlauchschele 16-25 -27 |
| 17 | 107318139 | 1 | BRACKET FOR C3 |

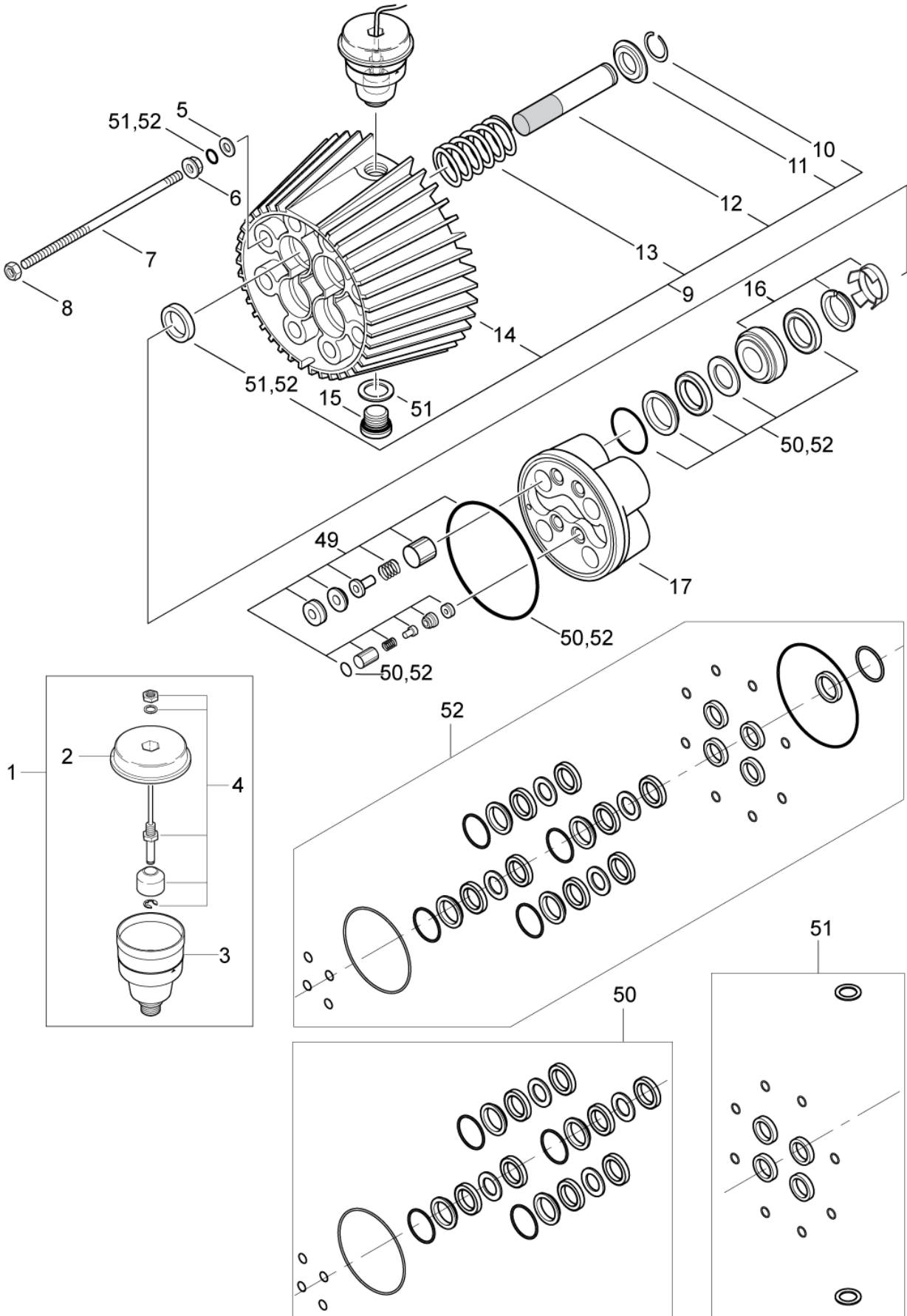
Motor-Pumpeneinheit 7 (d)

SOLAR BOOSTER E From 2009

04-09-2014

ET-Liste-Nr.
SOLARB16

19



Motor-Pumpeneinheit 7 (d)

SOLAR BOOSTER E From 2009

04-09-2014

ET-Liste-Nr.
SOLARB16

20

| Pos | Artikelnr. | Me | Beschreibung | |
|-----|------------|----|---|------|
| - | 5218433 | 1 | PUMP OIL 150 1*1L | 1,01 |
| 1 | 301000616 | 1 | Füllstandsanzeige Pumpenöl vorm. P I vorm. PP | |
| 2 | 301000615 | 1 | Deckel | |
| 3 | 301000614 | 1 | Öltank | |
| 4 | 301001196 | 1 | Schwimmerschalter | |
| 5 | 6100718 | 8 | Scheibe 10x16x1 | |
| 6 | 6100719 | 8 | Druckring | |
| 7 | 6301368 | 8 | Stehbolzen | |
| 8 | 1800465 | 8 | Mutter DIN934-M10x1-10 Mutter M10 | |
| 9 | 6300071 | 1 | Zylinderblock Kompl. | |
| 10 | 1802529 | 4 | Sicherungsring Ø24 | |
| 11 | 6100666 | 4 | Ring | |
| 12 | 6301166 | 4 | Keramischer Druckkolben | |
| 13 | 102602517 | 4 | RUECKHOLFEDER C3 | |
| 14 | 6100610 | 1 | Zylinderblock | |
| 15 | 6150400 | 1 | Verschlusspfropfen | |
| 16 | 101119850 | 4 | Dichtung Set Gleitring + Stützring Stützring | |
| 17 | 107120701 | 1 | Zylinderkopf | |
| 49 | 1119195 | 1 | Reparatursatz Ein-Auslass-Ventilsyst s-Ventilsyst | |
| 50 | 1119571 | 1 | Dichtsatz | |
| 51 | 1119820 | 1 | Reparatursatz Öldichtung | |
| 52 | 1119570 | 1 | Dichtsatz | |

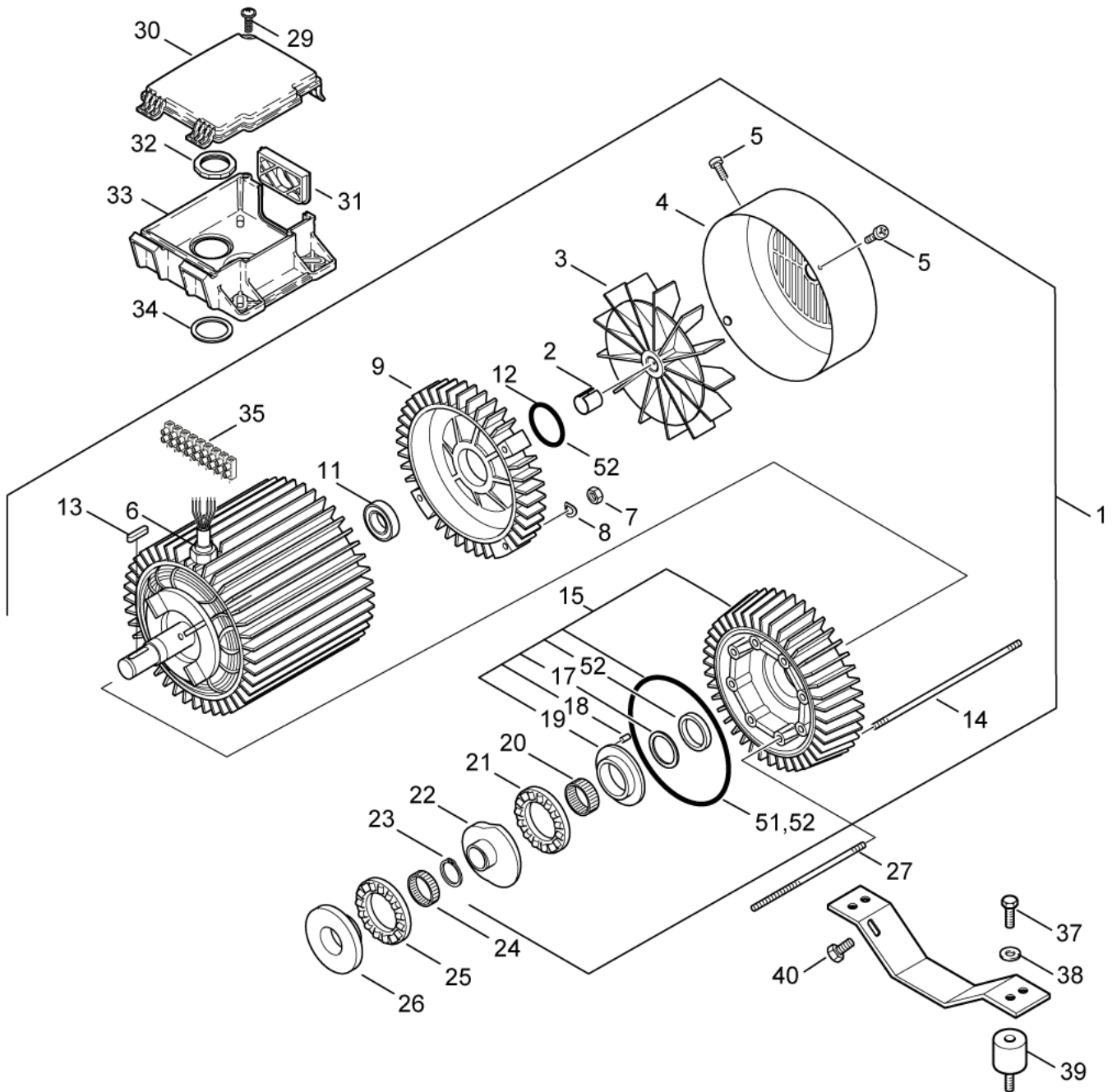
Motor-Pumpeneinheit 7 (e)

SOLAR BOOSTER E From 2009

04-09-2014

ET-Liste-Nr.
SOLARD08

21



Motor-Pumpeneinheit 7 (e)

SOLAR BOOSTER E From 2009

04-09-2014

ET-Liste-Nr.
SOLAR008

22

| Pos | Artikelnr. | Me | Beschreibung | |
|-----|------------|----|---|--|
| 1 | 107310070 | 1 | Motor 6.5kW 400-415,230/3/50 /3/50 Hz | 7-58D, 7-58E, 7-58G, 7-63D (DISC no. 12) |
| 1 | 107310071 | 1 | Motor 5.5kW 400-415,230/3/50 3/50 | 7-52 GH (DISC no. 10) |
| 1 | 107310072 | 1 | Motor 5.5kW 400-415,230/3/50 400-415.230/3/50 | 7-38 E (DISC no. 3) |
| 2 | 1802503 | 1 | Sicherungshülse | |
| 3 | 6100607 | 1 | Ventilator m. Schraube | |
| 4 | 6100609 | 1 | Deckel | |
| 5 | 101814693 | 4 | Schraube M4x8 | |
| 6 | 107302152 | 1 | Verschraubung G1"AG/G3/4" " | |
| 7 | 2758 | 4 | Mutter DIN934-M8-6 ISO 4032 zn | |
| 8 | 1801182 | 4 | Federring DIN7980-8 | |
| 9 | 107140617 | 1 | REAR BEARING COVER | From week 32 2009 (EME) |
| 9 | 6100611 | 1 | N-Lagerdeckel | Up to week 32 2009 (ATB) |
| 11 | 3200623 | 1 | N-Lager | |
| 12 | 107318244 | 1 | O Ring 51,6x2,4 NBR 70 | |
| 13 | 3200672 | 1 | Passfeder 6x6x32 | |
| 14 | 6100711 | 8 | Stehbolzen L261mm | |
| 14 | 6100712 | 8 | Stehbolzen L306mm | |
| 15 | 107140615 | 1 | FRONT BEARING COVER COMPLETE | From week 32 2009 (EME) - TSB-PPW-2011-013 C3 Pump |
| 15 | 6101750 | 1 | D-Lagerdeckel Kompl. | Up to week 32 2009 (ATB) - TSB-PPW-2011-013 C3 Pum |
| 17 | 6100995 | 1 | Scheibe 53x40,5x1,25 | |
| 18 | 6100996 | 1 | Kegelstift | |
| 19 | 107120703 | 1 | Lagerscheibe Motorseitig | |
| 20 | 3200656 | 1 | Nadellager K40x45x17 | |
| 21 | 3200615 | 1 | Axialrollenlager | |
| 22 | 107120707 | 1 | Taumelscheibe 3 | 5,5kW-810 400,230/3/50 |
| 22 | 107120708 | 1 | Taumelscheibe No.4 | 5,5kW 440,220/3/60 |
| 22 | 107120714 | 1 | Taumelscheibe 10 | 5,5kW-1030 400,230/3/50 |
| 22 | 107120716 | 1 | Taumelscheibe No.12 | 6,5kW 400,230/3/50 |
| 23 | 1802511 | 1 | Sicherungsring 28x1,2 | |
| 24 | 3200664 | 1 | Nadellager K40x45x13A | |
| 25 | 3200615 | 1 | Axialrollenlager | |
| 26 | 107120704 | 1 | Lagerscheibe Pumpenseitig | |
| 27 | 6301368 | 8 | Stehbolzen | |
| 29 | 10028 | 1 | Schraube P5x14 WN1411 verz | |
| 30 | 301000782 | 1 | Deckel 2,5 | |
| 31 | 17106 | 1 | Abschlussdeckel | |
| 32 | 20862 | 1 | Rohrmutter DIN431-R1" | |
| 33 | 301000781 | 1 | Rahmen | |
| 34 | 103004340 | 1 | Dichtring 1" | |
| 35 | 101117839 | 1 | Klemmleiste TERMINAL PINS | |
| 37 | 1803089 | 4 | SCREW INSEX M8X12 | |
| 38 | 1800317 | 4 | Scheibe DIN125-A10,5 | |
| 39 | 107318091 | 4 | Schwingungsdämpfer M8 | |

Motor-Pumpeneinheit 7 (e)

SOLAR BOOSTER E From 2009

04-09-2014

ET-Liste-Nr.
SOLAR008

23

| Pos | Artikelnr. | Me | Beschreibung |
|-----|------------|----|--------------------------|
| 40 | 1802651 | 2 | Schraube M10x20 |
| 51 | 1119820 | 1 | Reparatursatz Öldichtung |
| 52 | 1119570 | 1 | Dichtsatz |

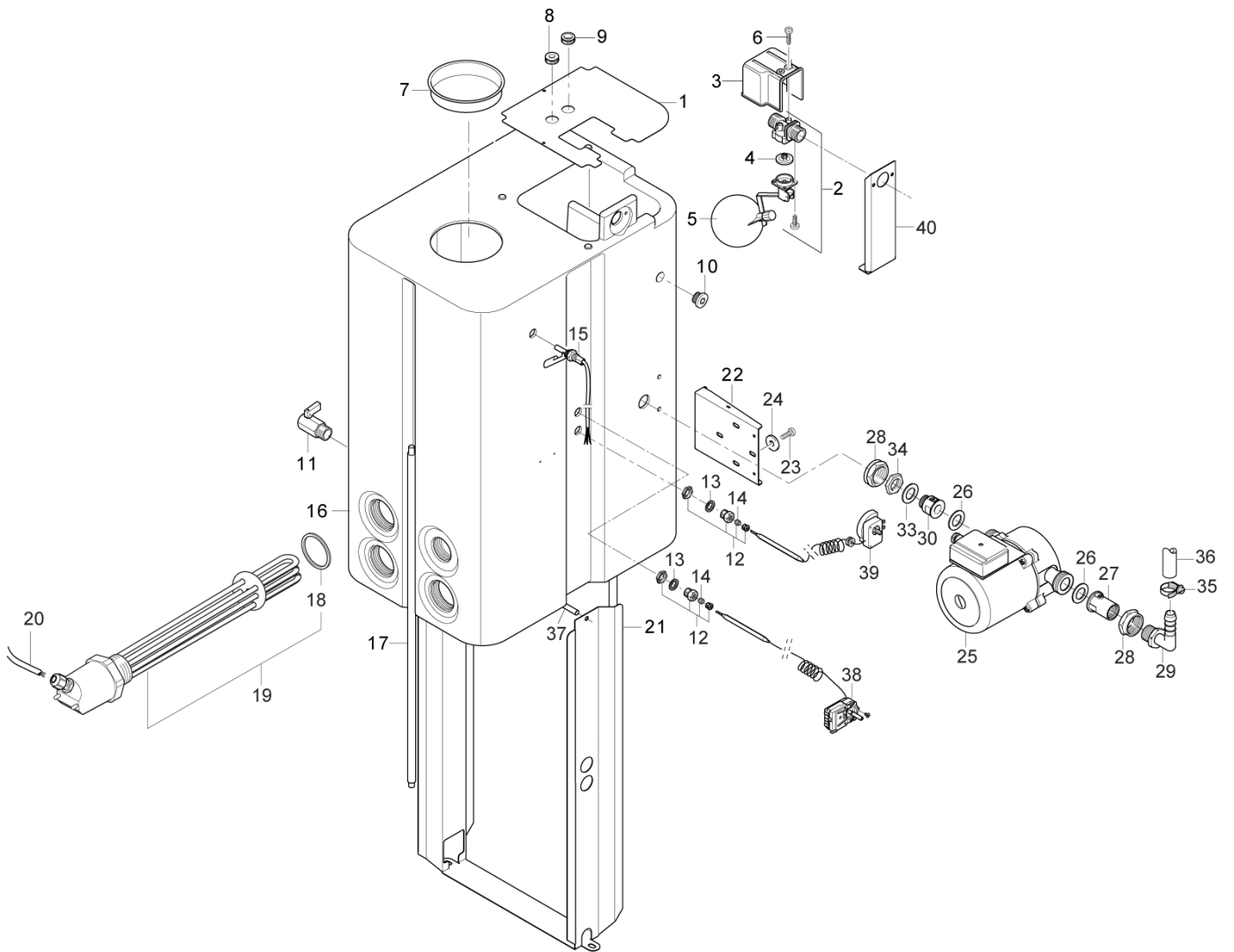
Heiztank

SOLAR BOOSTER E From 2009

04-09-2014

ET-Liste-Nr.
SOLARE10

24



Heiztank

SOLAR BOOSTER E From 2009

04-09-2014

ET-Liste-Nr.
SOLARE10

25

| Pos | Artikelnr. | Me | Beschreibung | |
|-----|------------|----|---|---|
| 1 | 107318114 | 1 | Abdeckung Wassertank | |
| 2 | 63871 | 1 | Schwimmerventil 3/4-10 VA | |
| 3 | 34240 | 1 | Abdeckung) | |
| 4 | 17379 | 1 | Membrane | |
| 5 | | 1 | NOTE COMMENT | Not available for this model |
| 6 | 16860 | 2 | Schraube P4x12 WN1412 A2 | |
| 7 | 104601176 | 1 | Revisionsabdeckung Wasserkasten Rot | |
| 8 | 5172 | 1 | TueLLE GUMMI-DG 11 | |
| 9 | 3001427 | 1 | Kabeldurchf uehrung | |
| 10 | G181419 | 1 | PLUG, Ø24X12 | |
| 11 | 3400819 | 1 | Balofix 1/2oe Hahn | |
| 12 | 107318000 | 2 | Verschraubung | |
| 13 | 1801075 | 2 | Dichtring | |
| 14 | 101609437 | 2 | Innenring 8mm | |
| 15 | 3817582 | 1 | Niv eaukontakt LS 103-12 | |
| 16 | 107318107 | 1 | Heiztank | |
| 17 | 107318108 | 2 | Seitenstrebe | |
| 18 | 107318109 | 1 | O-RING 53.57X3.53 NITRIL 70 SH NITRIL 70 SH | 2 pcs. 36H, 3 pcs. 54H |
| 19 | 107318110 | 1 | Heizelement 18KW | 2 pcs. 36H, 3 pcs. 54H |
| 19 | 107318178 | 1 | HEATING ELEMENT 18KW 440V | 2 pcs. 36H, 3 pcs. 54H |
| 20 | 107318111 | 1 | CABLE FOR HEATING ELEMENT | 2 pcs. 36H, 3 pcs. 54H |
| 21 | 107318112 | 1 | Konsole | |
| 22 | 107318113 | 1 | BRACKET FOR FEED PUMP | |
| 23 | 1814706 | 4 | SCREW | |
| 24 | 1813807 | 4 | Scheibe | |
| 25 | 107318067 | 1 | Umwälzpumpe 1/230V 45 N | |
| 26 | 103821954 | 2 | Dichtring | |
| 27 | 101609354 | 1 | Verschraubung | |
| 28 | 101609357 | 2 | Überwurf mutter | |
| 29 | 101609353 | 1 | Schlauchstutzen, Winkel | |
| 30 | 107312000 | 1 | Distanzscheibe | |
| 33 | 2377 | 1 | DICHTRG. 27X38X2 IT 2 | |
| 34 | 1800341 | 1 | Mutter DIN934-3/4" | |
| 35 | 1810191 | 2 | Schlauchschele Ø14-27 | |
| 36 | 5206230 | 1 | "Schlauch 5/8"x740 mm" 6 schw. 12bar | |
| 37 | 107318097 | 1 | SUPPORT TUBE | |
| 38 | 107318150 | 1 | THERMOSTAT 0-85 | |
| 39 | 103822046 | 1 | Sicherheitsthermostat 97°C Ltg 1750mm 97°C (1750mm) (Alt 47358) | |
| 40 | 107318173 | 1 | Halter für Wassertank EH Ersatzteil | TSB-PPW-2011-008 Bracket for Heating Tank |

Zubehör/ Sonstiges
SOLAR BOOSTER E From 2009

04-09-2014

ET-Liste-Nr.
SOLARE12

26

Keine Zeichnung zur ET-Liste

Zubehör/ Sonstiges

SOLAR BOOSTER E From 2009

04-09-2014

ET-Liste-Nr.
SOLARE12

27

| Pos | Artikelnr. | Me | Beschreibung | |
|-----|------------|----|---|-------|
| - | 101119742 | 1 | HD-Düse 0530 TORNADO rot rot 1/8" | 7-38E |
| - | 101119747 | 1 | HD-Düse 0680 TORNADO grau grau 1/8" | 7-58E |
| - | 107370954 | 1 | Baugruppe Frostsicherung G/D "SOLAR "SOLAR BOOSTER" | |
| - | 107370955 | 1 | Baugruppe Frostsicherung GH/EH "SOLAR | |

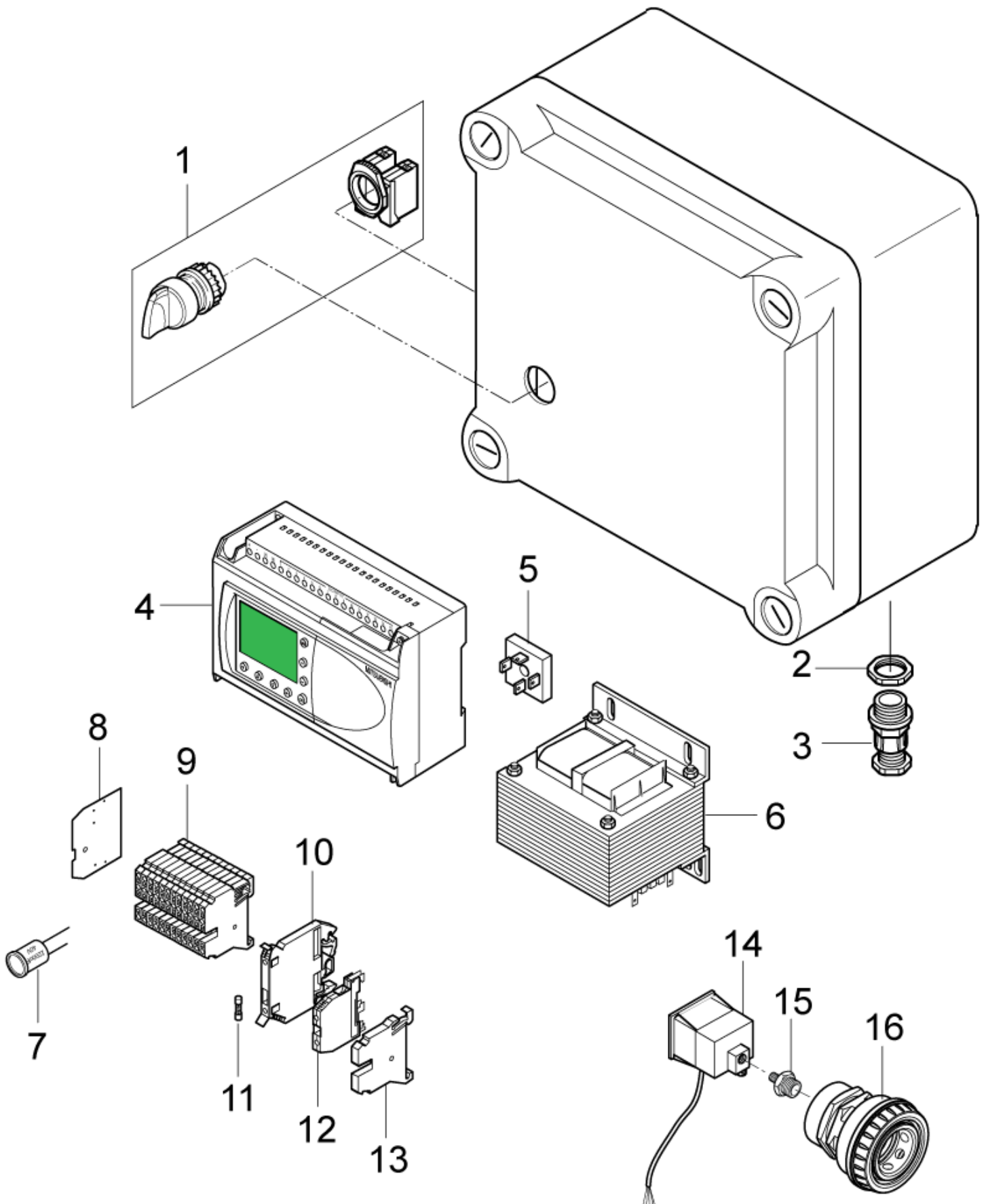
Maschinenverbindung MMO

SOLAR BOOSTER E From 2009

04-09-2014

ET-Liste-Nr.
SOLARBD16T

28



Maschinenverbindung MMO

SOLAR BOOSTER E From 2009

04-09-2014

ET-Liste-Nr.
SOLARBU161

29

| Pos | Artikelnr. | Me | Beschreibung |
|-----|------------|----|---|
| 0 | | 1 | MULTIPLE MACHINE OPTION BOX option Solar Booster |
| 1 | 107318115 | 1 | SWITCH WITH CONTACT |
| 2 | 103821789 | 5 | NUT M12X1.5 PA |
| 3 | 103821788 | 5 | CABLE BUSHING |
| 4 | 106426058 | 1 | PLC M/ALTO-PROGRAM OPTION BOX |
| 5 | 22207 | 1 | Si-Brueckengleichrichter |
| 6 | 103821844 | 1 | Sicherheitstraf o 230V 24/19V 230 V |
| 7 | 29467 | 1 | Kondensator 2200/40V |
| 8 | 103821921 | 1 | End plate |
| 9 | 103821920 | 12 | Reihenklemme |
| 10 | 4812281 | 1 | FUSE HOLDER |
| 11 | 15846 | 1 | Feinsicherung T 2,5 A AT |
| 12 | 107318117 | 2 | EARTH TERMINAL |
| 13 | 103821922 | 1 | End stop |
| 14 | 107306160 | 1 | Drückwächter kodiert f. 3PH |
| 15 | 107318118 | 1 | FITTING |
| 16 | 106402075 | 1 | Schnellkupplung Kpl. "KEW-ERGO 3000" "KEW - ERGO3000" |

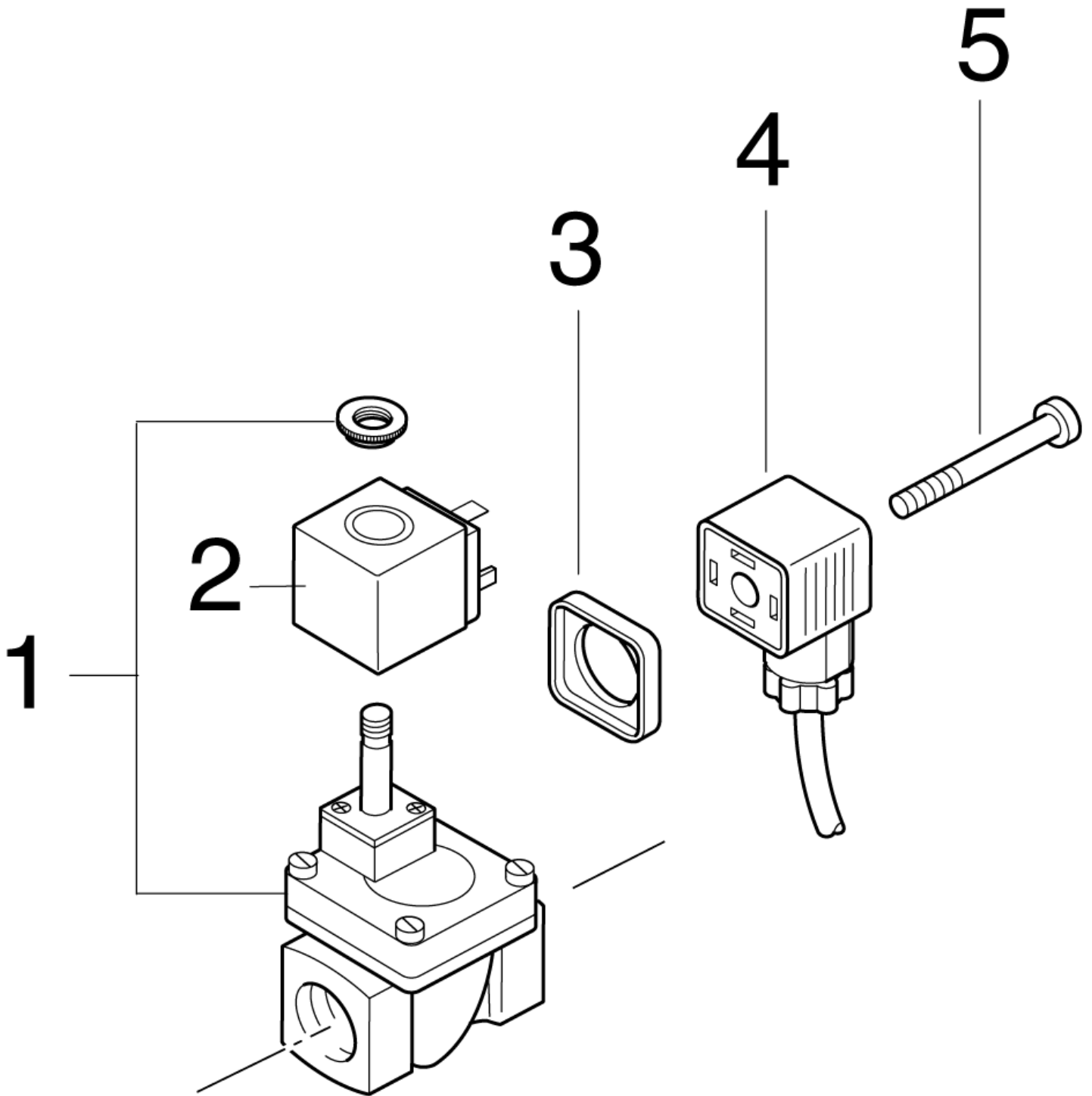
OPTION Water inlet security

SOLAR BOOSTER E From 2009

04-09-2014

ET-Liste-Nr.
UNODUOB24

30



OPTION Water inlet security

SOLAR BOOSTER E From 2009

04-09-2014

ET-Liste-Nr.
UNODUOB24

31

| Pos | Artikelnr. | Me | Beschreibung |
|-----|------------|----|---|
| - | 107340910 | 1 | Anbaugruppe Wasserzulauf sicher. BOOSTE sicherung BOOSTER |
| 1 | 103821881 | 1 | Magnetventil G1/2 65L/min 1bar 1bar |
| 2 | 103821775 | 1 | Spule 24VDC 3W |
| 3 | 17767 | 1 | Dichtung til |
| 4 | 3808144 | 1 | Amp, Steckdose f, Magnetventil ntil |
| 5 | 17768 | 1 | Linsenschraube DIN7985-M3x25-8.8 H D |

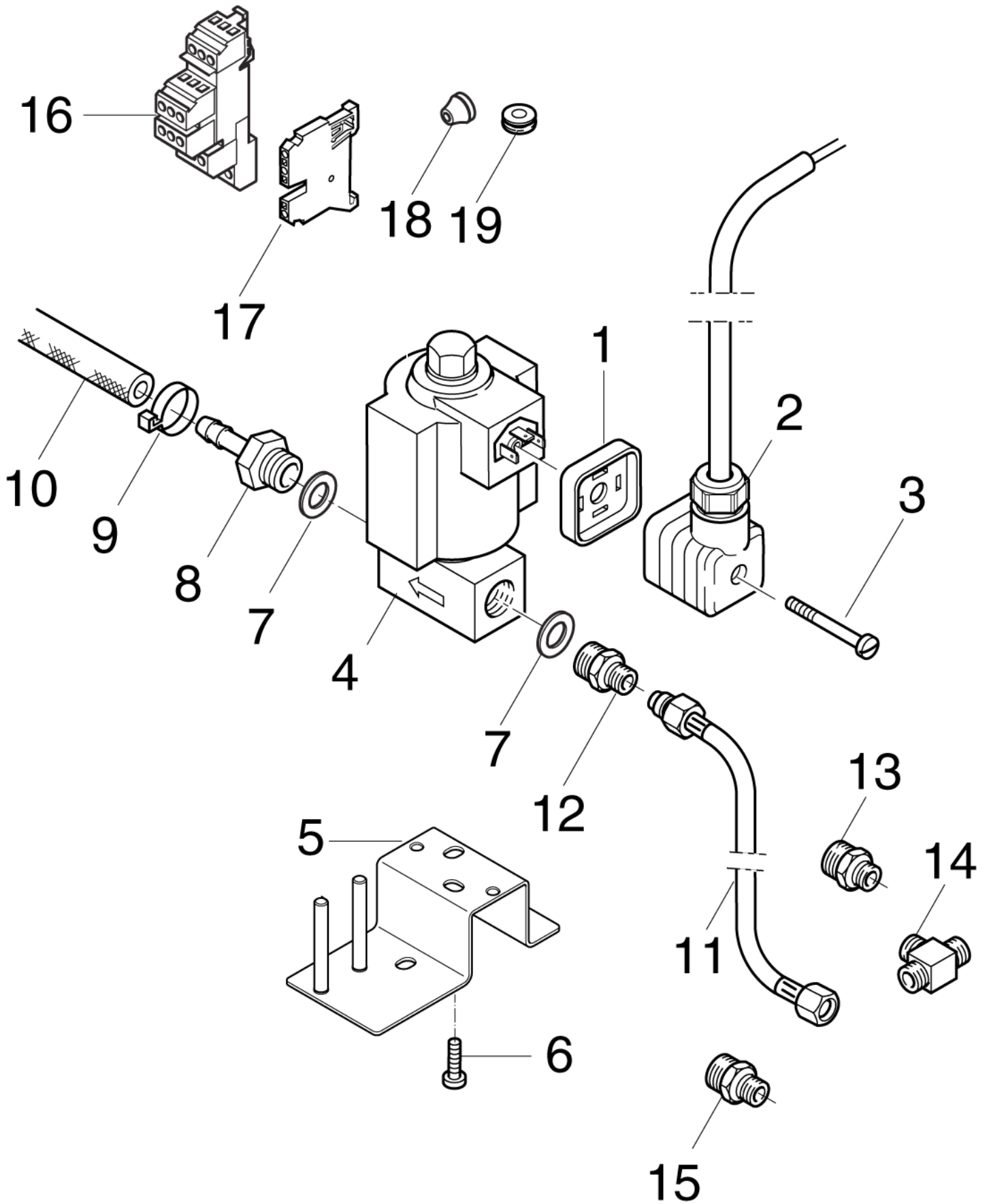
Druckreduzierung

SOLAR BOOSTER E From 2009

04-09-2014

ET-Liste-Nr.
SOLARB38

32



Druckreduzierung

SOLAR BOOSTER E From 2009

04-09-2014

ET-Liste-Nr.
SOLARB38

33

| Pos | Artikelnr. | Me | Beschreibung | |
|-----|------------|----|---|------------------|
| - | | 1 | Autom.Druckentlastung | |
| 1 | 17767 | 1 | Dichtung til | |
| 2 | 11693 | 1 | stecker Magnetventil- 1500mm 1500mm | |
| 3 | 17768 | 1 | Linsenschraube DIN7985-M3x25-8.8 H D | |
| 4 | 53730 | 1 | Magnetventil 180-G1/4-24VDC DC | |
| 5 | 107302160 | 1 | Halter für Magnetventil | |
| 6 | 1804673 | 2 | SET SCREW M6X8 | |
| 7 | 1803493 | 2 | Dichtungsscheibe x2 1/4" St/NB | |
| 8 | 1608512 | 1 | Schlauchstutzen 1/4" B5 | |
| 9 | 1807593 | 2 | Schelle 7-13 mm, Rostfrei | |
| 10 | 4973 | 1 | Schlauch PVC 8020/7020 INNENDURCHMESS | * SEE NOTE |
| 11 | 107318131 | 1 | Hochdruckschlauch DN2 1M reiniger DN2 1 M | |
| 12 | 1600410 | 1 | Verschraubung | |
| 13 | 107312045 | 1 | FITTING M8XØ6 | For pump 5 |
| 14 | 107318132 | 1 | T-CONNECTION | For pump 5 |
| 15 | 1821 | 1 | Verbindungsstück | For pump 7 and 8 |
| 16 | 24401 | 1 | Dreistockklemme | |
| 17 | 103821920 | 1 | Reihenklemme | |
| 18 | 3803764 | 1 | Stopfbuchse TET 5-7C | |
| 19 | 3001427 | 1 | Kabeldurchführung | |

* NOTE: PLEASE INDICATE LENGTHS IN METRES WHEN ORDERING

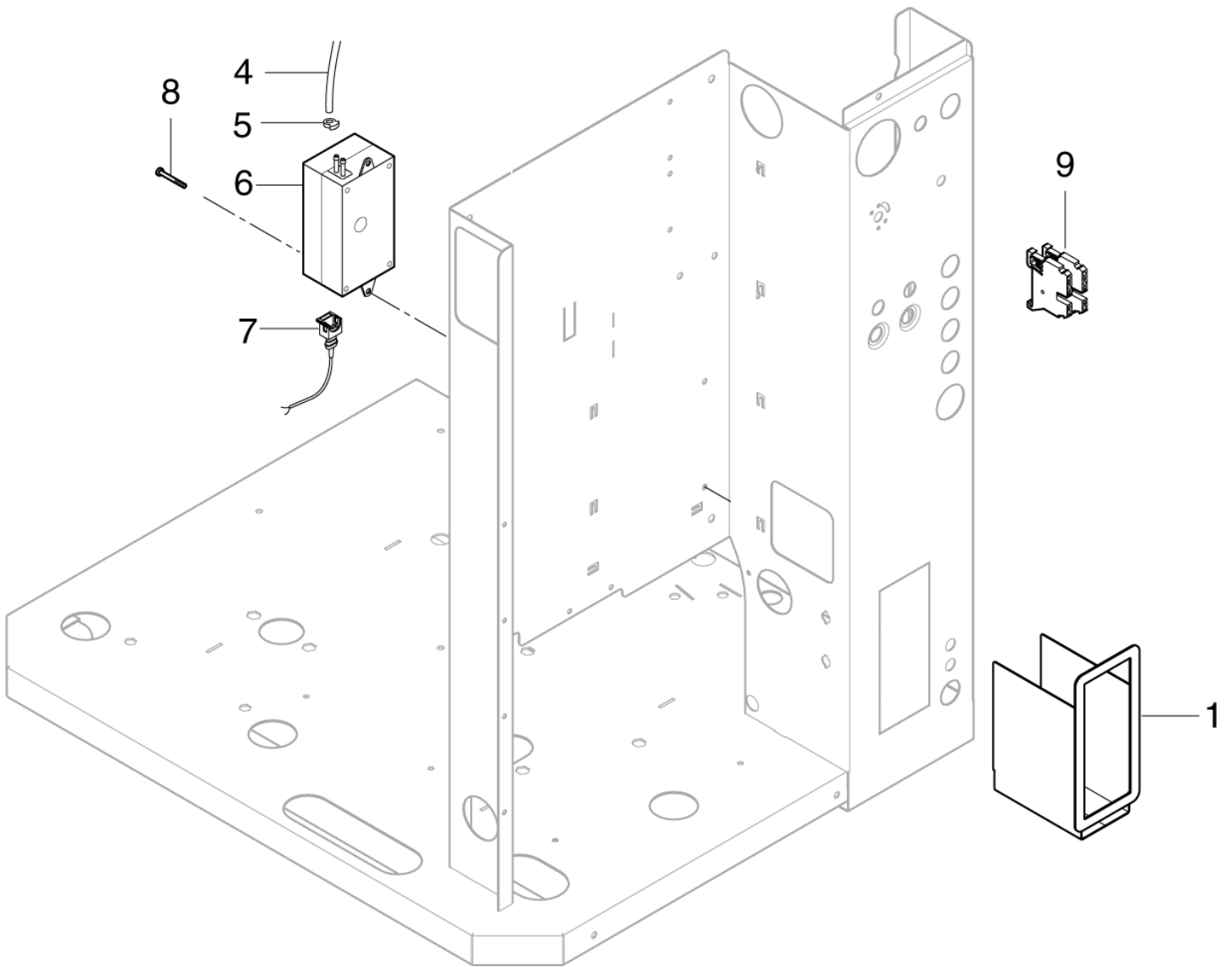
Anti-Kalk

SOLAR BOOSTER E From 2009

04-09-2014

ET-Liste-Nr.
SOLARB46

34



Anti-Kalk

SOLAR BOOSTER E From 2009

04-09-2014

ET-Liste-Nr.
SOLARB46

35

| Pos | Artikelnr. | Me | Beschreibung |
|-----|------------|----|--|
| - | | 1 | Kalkschutz-Einheit "SOLAR BOOSTER" "SOLAR BOOSTER" |
| 1 | 107318104 | 1 | BRACKET FOR NO-SCALE |
| 4 | 5226147 | 1 | Schlauch Ø4 / Ø7,2 klar MEWA PV MEWA PVC E |
| 5 | 1814151 | 1 | Schlauchschele ø7,8-8,7x 3,8 PO 3,8 POM |
| 6 | 3821492 | 1 | KS-Pumpe ST 15 24V |
| 7 | 4812338 | 1 | Leitung 1200mm mit Stecker r |
| 8 | 1800606 | 2 | SCREW CROSS M4X10 FZB DIN7985 |
| 9 | 103821920 | 2 | Reihenklemme |

* NOTE: PLEASE INDICATE LENGTHS IN METRES WHEN ORDERING

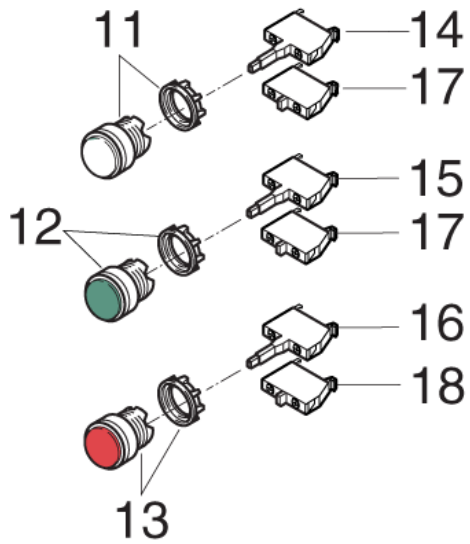
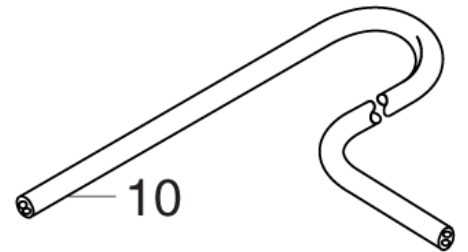
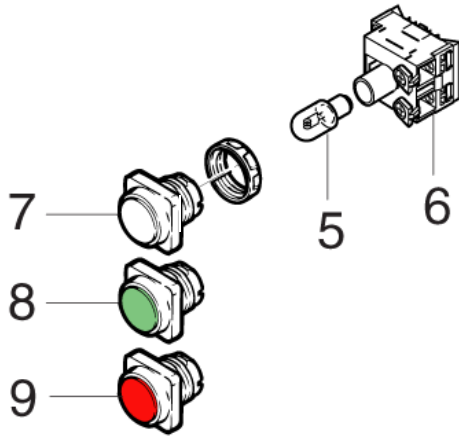
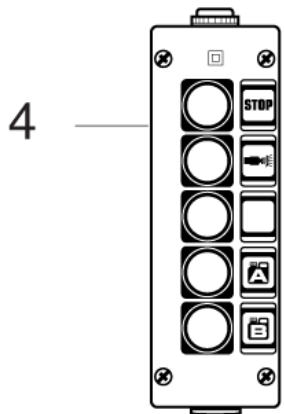
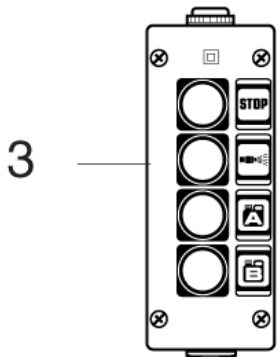
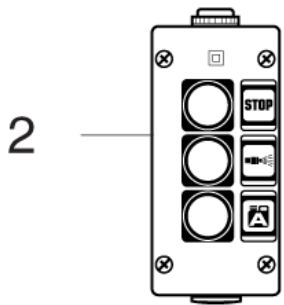
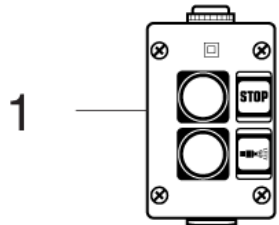
Fernsteuerung

SOLAR BOOSTER E From 2009

04-09-2014

ET-Liste-Nr.
SOLARB48

36



Fernsteuerung

SOLAR BOOSTER E From 2009

04-09-2014

ET-Liste-Nr.
SOLARB48

37

| Pos | Artikelnr. | Me | Beschreibung | |
|-----|------------|----|--|------------------------|
| 1 | 107340911 | 1 | Fernbedienung 2Taster "Ein/Aus" Booste BOOSTER | |
| 2 | 107340912 | 1 | Fernbedienung 3 Taster "Ein/Aus" Booste BOOSTER | |
| 3 | 107340913 | 1 | Fernbedienung 4 Taster "Ein/Aus" Booste BOOSTER | |
| 4 | 107340914 | 1 | Fernbedienung 5 Taster "Ein/Aus" Booste BOOSTER | |
| 5 | 41548 | 1 | Gluehlampe 28V | UP TO 2004.05.11 |
| 6 | 11958 | 1 | Leuchttaster Ansatz nicht mehr lieferbar | UP TO 2004.05.11 |
| 10 | 17388 | 1 | Steuer-Ltg Mewa 7x 0,75 L-JZ | 2 buttons - * SEE NOTE |
| 10 | 24429 | 1 | Leitung PVC Mewa18x0,75 | 5 buttons - * SEE NOTE |
| 10 | 41518 | 1 | LTG PVC MEWA12X0,75 | 4 buttons - * SEE NOTE |
| 10 | 5713 | 1 | Steuer-Ltg Mewa 9x 0,75 L-JZ | 3 buttons - * SEE NOTE |
| 11 | 103822004 | 1 | Push button, white | FROM 2004.05.11 |
| 12 | 103821823 | 1 | Leuchttaster Vorsatz grün | FROM 2004.05.11 |
| 13 | 103821824 | 1 | Leuchttaster Vorsatz rot | FROM 2004.05.11 |
| 14 | 103821999 | 1 | LAMP ELEMENT ZAL-VB4, WHITE ZAL-VB4 | FROM 2004.05.11 |
| 15 | 103822000 | 1 | Leuchttasteransatz grün ZAL-VB3 ZAL-VB3 | FROM 2004.05.11 |
| 16 | 103822001 | 1 | Lamp element, red ZAL-VB1, rot | FROM 2004.05.11 |
| 17 | 103822003 | 1 | Kontaktblock NC 1-2 für Leuchttaster euchttaster | FROM 2004.05.11 |
| 18 | 103822002 | 1 | Reihenklemme NO 3-4 | FROM 2004.05.11 |
| 19 | 301001396 | 1 | Klebefolie Symbole FB für Fernbedienung" PC | |

* NOTE: PLEASE INDICATE LENGTHS IN METRES WHEN ORDERING

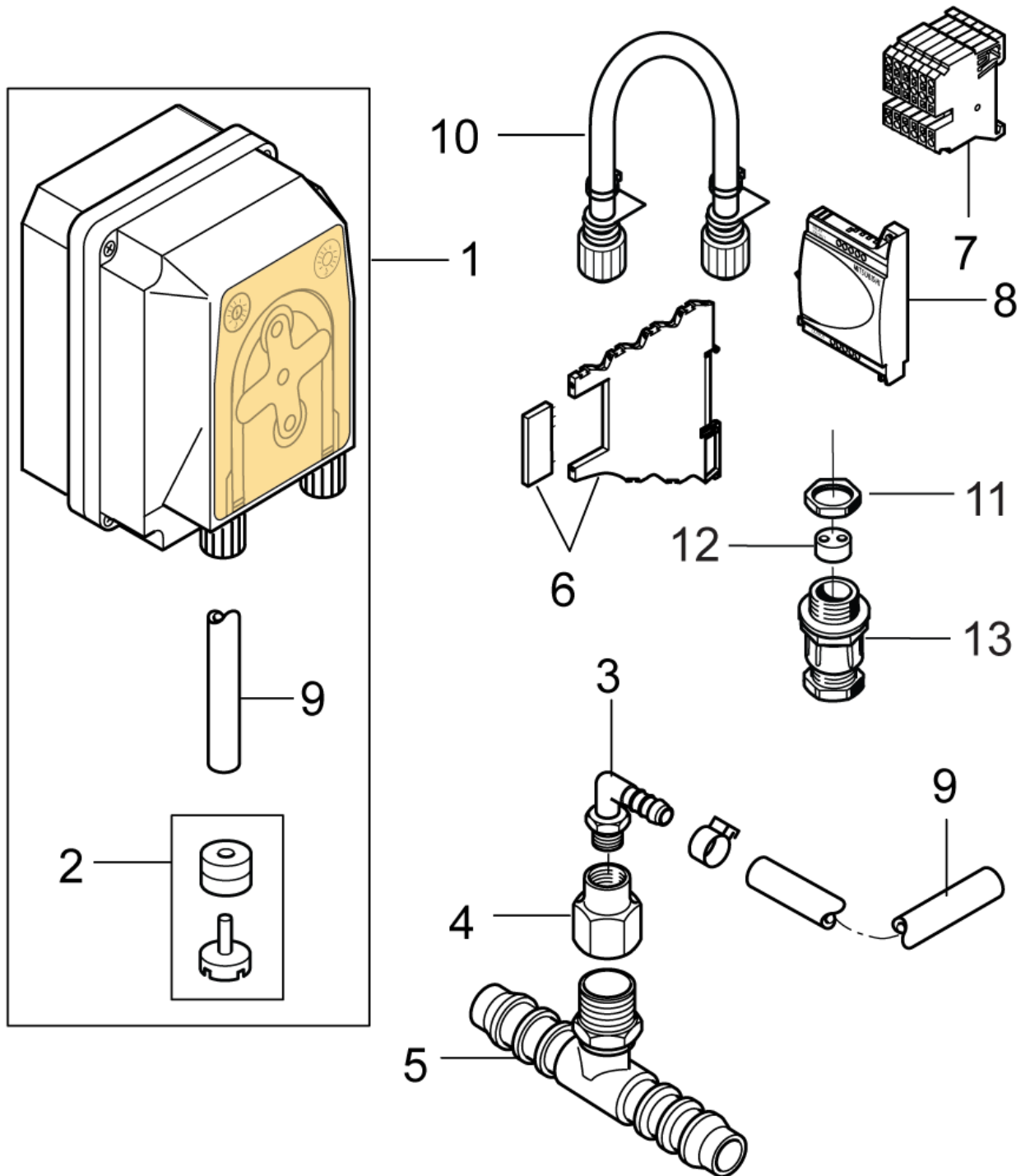
1 X Reinigungsmittel automatisch

SOLAR BOOSTER E From 2009

04-09-2014

ET-Liste-Nr.
SOLARB50

38



1 X Reinigungsmittel automatisch

SOLAR BOOSTER E From 2009

04-09-2014

ET-Liste-Nr.
SOLARB50

39

| Pos | Artikelnr. | Me | Beschreibung |
|-----|------------|----|--|
| 0 | | 1 | Baugruppe 1x Chemie autom."SOLAR BOOST. "SOLAR BOOSTER" |
| 1 | 103822206 | 1 | Schlauch PUMP, REG.MAX.18L/H |
| 2 | 31000101 | 1 | Filter und Sicherung f für Chemiepumpe Chemiepumpe |
| 3 | 107318136 | 1 | Winkelstück Ø4X1/4 |
| 4 | 107318134 | 1 | REDUKTION 1/2X1/4 |
| 5 | 107318137 | 1 | T-Verbindungsstück Ø14X1/2 |
| 5 | 107318155 | 1 | Schlauchverbinder D19X1/2XD19 blau PE Only on NP8 pumps |
| 6 | 103821828 | 1 | Relais 24V SNR |
| 7 | 103821920 | 6 | Reihenklemme |
| 8 | 103821948 | 1 | Trägerschiene f für Reihenklemme AL2-4EYR |
| 9 | 107318062 | 1 | Schlauch Silicone 5m (Ers.f .5226306 MEWA) |
| 10 | 103822265 | 1 | SCHLAUCH CHEMIEPUMPE |
| 11 | 103821778 | 1 | NUT M20X1.5 |
| 12 | 103821946 | 1 | Insert 3x6.5 |
| 13 | 103821785 | 1 | Kabelverschraubung |

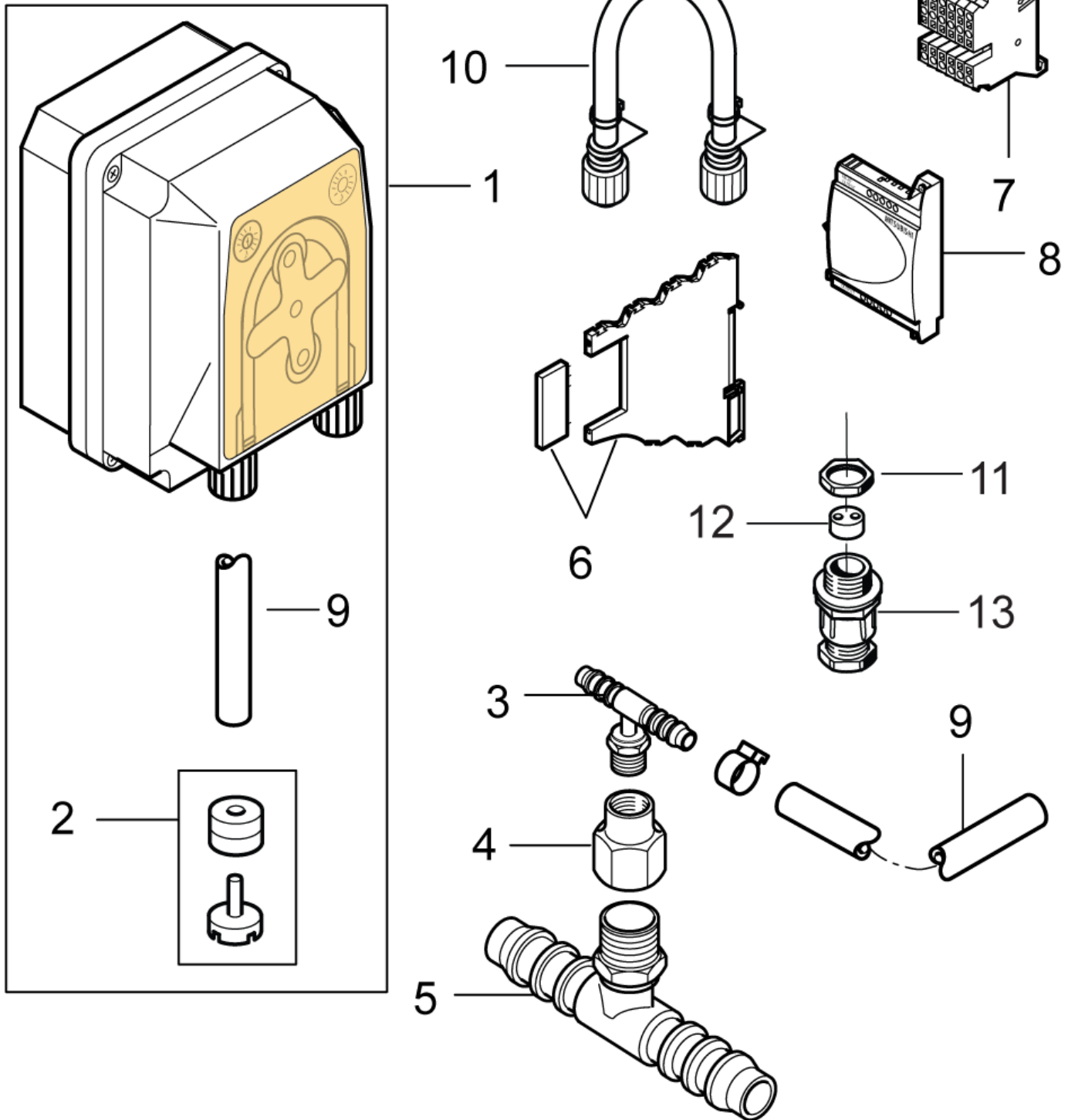
2 X Reinigungsmittel automatisch

SOLAR BOOSTER E From 2009

04-09-2014

ET-Liste-Nr.
SOLARB52

40



2 X Reinigungsmittel automatisch

SOLAR BOOSTER E From 2009

04-09-2014

ET-Liste-Nr.
SOLARBSZ

41

| Pos | Artikelnr. | Me | Beschreibung |
|-----|------------|----|--|
| 0 | | 1 | Baugruppe 2x Chemie autom."SOLAR BOOST. "SOLAR BOOSTER" |
| 1 | 103822206 | 1 | Schlauch PUMP, REG.MAX.18L/H |
| 2 | 31000101 | 1 | Filter und Sicherung f für Chemiepumpe Chemiepumpe |
| 3 | 107318138 | 1 | T-Verbindungsstück Ø4X1/4 |
| 4 | 107318134 | 1 | REDUKTION 1/2X1/4 |
| 5 | 107318137 | 1 | T-Verbindungsstück Ø14X1/2 |
| 5 | 107318155 | 1 | Schlauchverbinder D19X1/2XD19 blau PE Only on NP8 pumps |
| 6 | 103821828 | 1 | Relais 24V SNR |
| 7 | 103821920 | 6 | Reihenklemme |
| 8 | 103821948 | 1 | Trägerschiene f für Reihenklemme AL2-4EYR |
| 9 | 107318062 | 1 | Schlauch Silicone 5m (Ers.f.5226306 MEWA) |
| 10 | 103822265 | 1 | SCHLAUCH CHEMIEPUMPE |
| 11 | 103821778 | 1 | NUT M20X1.5 |
| 12 | 103821946 | 1 | Insert 3x6.5 |
| 13 | 103821785 | 1 | Kabelverschraubung |

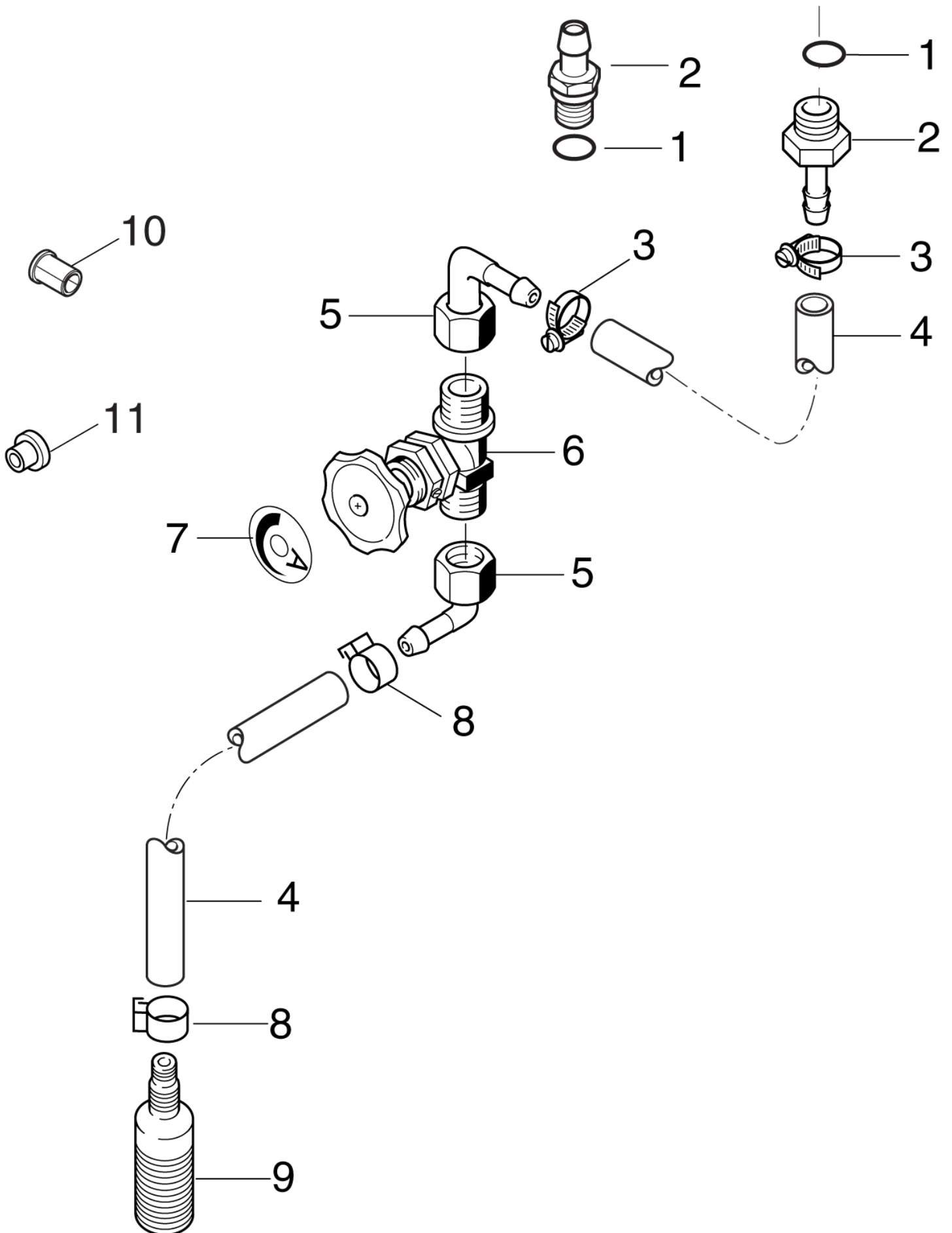
1 X Reinigungsmittel manuell -5 und 7-

SOLAR BOOSTER E From 2009

04-09-2014

ET-Liste-Nr.
SOLARB54

42



1 X Reinigungsmittel manuell -5 und 7-

SOLAR BOOSTER E From 2009

04-09-2014

ET-Liste-Nr.
SOLARB54

43

| Pos | Artikelnr. | Me | Beschreibung |
|-----|------------|----|---|
| - | | 1 | Anbaugruppe 1xChemie manuell UNO BOOSTE manuell UNO-BOOSTER |
| 1 | 3001740 | 1 | O-Ring 7,66x1,78 ARP AS 568 A NBR70 |
| 2 | 1608512 | 1 | Schlauchstutzen 1/4" B5 UNO , DUO |
| 2 | 1609300 | 1 | Schlauchstutzen C3 |
| 3 | 1807593 | 2 | Schelle 7-13 mm, Rostfrei |
| 4 | 4973 | 1 | Schlauch PVC 8020/7020 INNENDURCHMESS |
| 5 | 101609346 | 1 | Schlauchtülle ø 6 Mut G1/4 Winkel /4 Winkel |
| 6 | 103403268 | 1 | Dosierventil G1/4 - G1/4 mit Stellrad mit Stellrad |
| 7 | 12117 | 1 | Wap-Scheibe A |
| 8 | 1810084 | 2 | Schlauchschelle Ø10,8-12,3 ,3 |
| 9 | 17508 | 1 | Saugkopf |
| 10 | 107302159 | 1 | Reduzierdüse schwarz PA 6. schwarz PA 6.6 DUO |
| 11 | 301000187 | 1 | Drossel 7,0x11,5x16 C3 - 5,5kW |
| 11 | 301001103 | 1 | Drossel 8,5x11,5x16 C3 - 6,5 kW |

EMPFOHLENE ERSATZTEILE

SOLAR BOOSTER E From 2009

04-09-2014

ET-Liste-Nr.
SOLARE20

44

Keine Zeichnung zur ET-Liste

EMPFOHLENE ERSATZTEILE

SOLAR BOOSTER E From 2009

04-09-2014

ET-Liste-Nr.
SOLAREZ0

45

| Pos | Artikelnr. | Me | Beschreibung | |
|-----|------------|----|---|---|
| A | 1119195 | 1 | Reparaturatz Ein-Auslass-Ventilsyst s-Ventilsyst | |
| A | 1119570 | 1 | Dichtsatz | A |
| A | 1119570 | 1 | Dichtsatz | A |
| A | 1119571 | 1 | Dichtsatz | A |
| A | 1119820 | 1 | Reparaturatz Öldichtung | A |
| A | 1119820 | 1 | Reparaturatz Öldichtung | A |
| A | 301000905 | 1 | Kolben | A |
| A | 301001195 | 1 | Reparaturatz Regelsicherheitsblock | A |
| A | 3812385 | 1 | Feinsicherung 6,3 A Ø5x20 | A |
| A | 5218433 | 1 | PUMP OIL 150 1*1L | A |
| A | 56519 | 1 | O-Ring A 6,5x3-NBR90 | A |
| A | 6100941 | 1 | Filter | A |
| A | 63056 | 1 | Reparaturatz Regelsicherheitsblock | A |
| A | 64314 | 1 | Reparaturatz Steuerkolben | A |
| B | 107318091 | 1 | Schwingungsdämpfer M8 | B |
| B | 63871 | 1 | Schwimmerventil 3/4-10 VA | B |
| C | 101406030 | 1 | Schlauch 8x1000 DKL M18x1,5 3/8" | C |
| C | 103821846 | 1 | Steuertrafo 400V | C |
| C | 103821847 | 1 | Steuertrafo 230V 24/19V | C |
| C | 103821898 | 1 | Überstromrelais 10-16A | C |
| C | 103821899 | 1 | Connection modul | C |
| C | 103821929 | 1 | Hilfsschalter | C |
| C | 103822046 | 1 | Sicherheitsthermostat 97°C Ltg 1750mm 97°C (1750mm) (Alt 47358) | C |
| C | 103822306 | 1 | Schütz CJX2-D18-B7 24V | C |
| C | 103822317 | 1 | Schütz CJX2-D32-B7 24V | C |
| C | 106420051 | 1 | Steuerelektronik "UNO DUO BOOSTER" BOOSTER" | C |
| C | 107120701 | 1 | Zylinderkopf | C |
| C | 107120704 | 1 | Lagerscheibe Pumpenseitig | C |
| C | 107120707 | 1 | Taumelscheibe 3 | C |
| C | 107120708 | 1 | Taumelscheibe No.4 | C |
| C | 107120714 | 1 | Taumelscheibe 10 | C |
| C | 107120716 | 1 | Taumelscheibe No.12 | C |
| C | 107140615 | 1 | FRONT BEARING COVER COMPLETE | C |
| C | 107310070 | 1 | Motor 6.5kW 400-415,230/3/50 /3/50 Hz | C |
| C | 107310071 | 1 | Motor 5.5kW 400-415,230/3/50 3/50 | C |
| C | 107310072 | 1 | Motor 5.5kW 400-415,230/3/50 400-415.230/3/50 | C |
| C | 107318088 | 1 | Hochdruckschlauch DN8 | C |
| C | 107318096 | 1 | Schutzvorrichtung | C |
| C | 107318110 | 1 | Heizelement 18KW | C |
| C | 107318150 | 1 | THERMOSTAT 0-85 | C |
| C | 1802511 | 1 | Sicherungsring 28x1,2 | C |
| C | 301000616 | 1 | Füllstandsanzeige Pumpenöl v orm. P l v orm. PP | |
| C | 301000731 | 1 | Schalter | C |

EMPFOHLENE ERSATZTEILE

SOLAR BOOSTER E From 2009

04-09-2014

ET-Liste-Nr.
SOLARE20

46

| Pos | Artikelnr. | Me | Beschreibung | |
|-----|------------|----|----------------------------------|---|
| C | 301002458 | 1 | Reedschalter (Ers. f. 301000694) | C |
| C | 3200615 | 1 | Axialrollenlager | C |
| C | 3200656 | 1 | Nadellager K40x45x17 | C |
| C | 3200664 | 1 | Nadellager K40x45x13A | C |
| C | 3600301 | 1 | Manometer | C |
| C | 3817582 | 1 | Niveauekontakt LS 103-12 | C |
| C | 3821748 | 1 | AUXILIARY SWITCH AB 100-SB10 | C |
| C | 6100602 | 1 | Spannring | C |
| C | 6101750 | 1 | D-Lagerdeckel Kompl. | C |
| C | 6301166 | 1 | Keramischer Druckkolben | C |