

3308

Model:
3308
3308H
3308L
3308M



Part List US-English

02-03-2015

Table of Contents

3308

Frame 1	3
Frame 2	5
Frame 3	7
Frame 4	9
Container	11
Filter group	13
Shaker unit	15
Suction unit	17
Electric system base	19
Electric system 3308LMH	21
Electric board	23
Lmh atex label	25

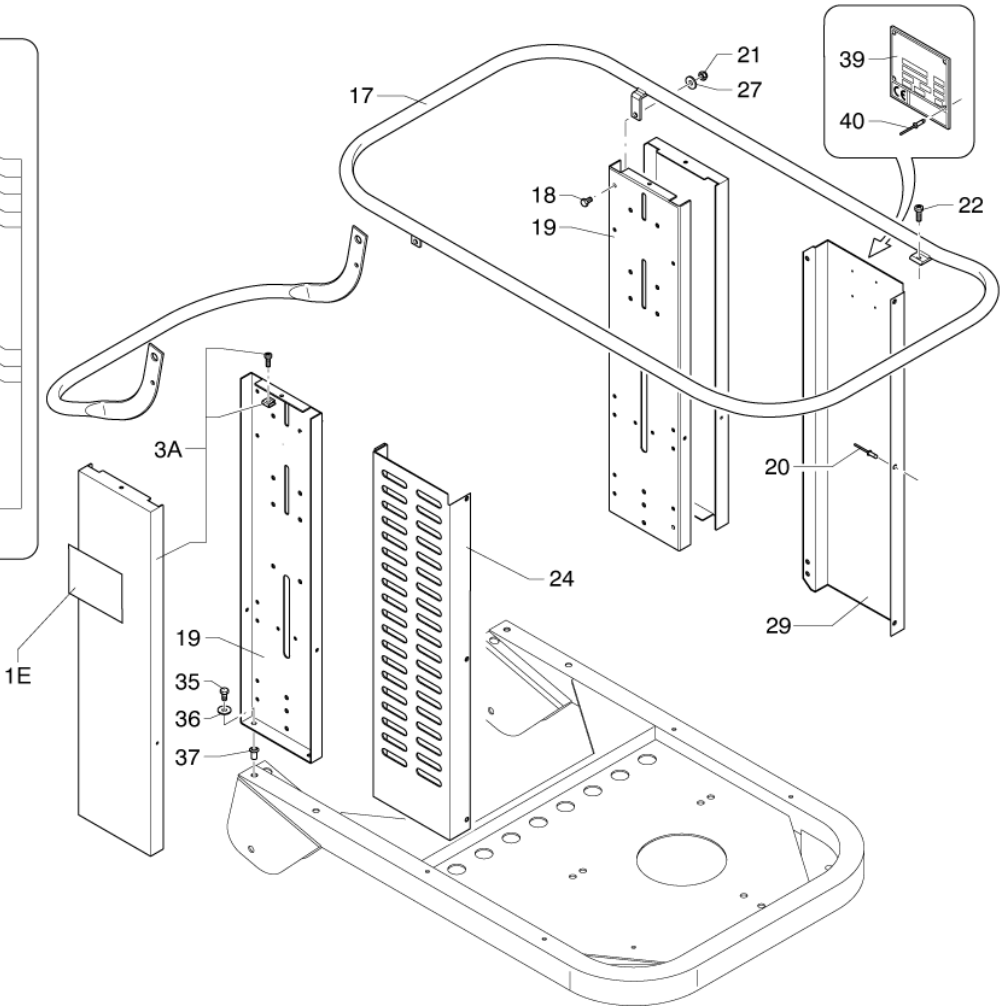
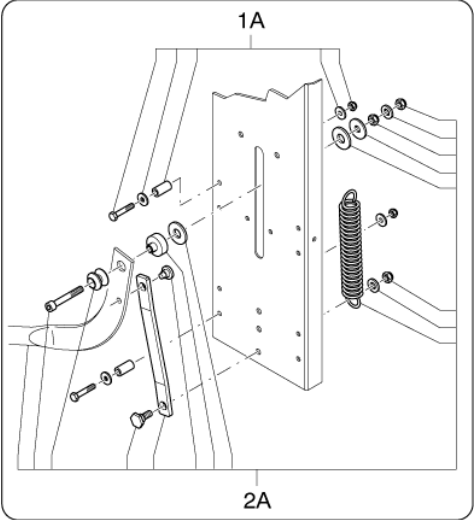
Frame 1

3308

02-03-2015

Part List ID
330801

3



Frame 1

3308

02-03-2015

Part List ID
330801

4

Pos	Part no.	Qty	Description
17	Z8 18987	1	HANDLE 3308-3508
18		2	NOTE COMMENT SCREW M6x20 UNI 5739 DIN 933
19	Z8 18506	2	UPRIGHT M.137
1A	40000538	1	RELEASE LEVER BLOCKAGE KIT
20		11	NOTE COMMENT RIVET D.6,4x10 DIN 7337
21		2	NOTE COMMENT NUT M6 UNI 7474 DIN 985
22		2	NOTE COMMENT SCREW M6x16 UNI 7687 DIN 7985
24	Z8 35135	1	LEFT CARTER 3308.3508
27		2	NOTE COMMENT WASHER D.6 DIN 6798A
29	Z8 35137	2	RIGHT CARTER 3308.3508
2A	40000539	1	RELEASE LEVER KIT
35		4	NOTE COMMENT SCREW M8x16 UNI 5739 DIN 933
36		4	NOTE COMMENT WASHER D.8 UNI 6592 DIN 433
37	Z8 38037	4	THREADED INSERT M8
39	Z8 17015	1	3-PHASE PLATE ALUMINIUM
3A	40000540	1	SIDE PANEL KIT
40		4	NOTE COMMENT RIVET D.2,9x7 DIN 7337

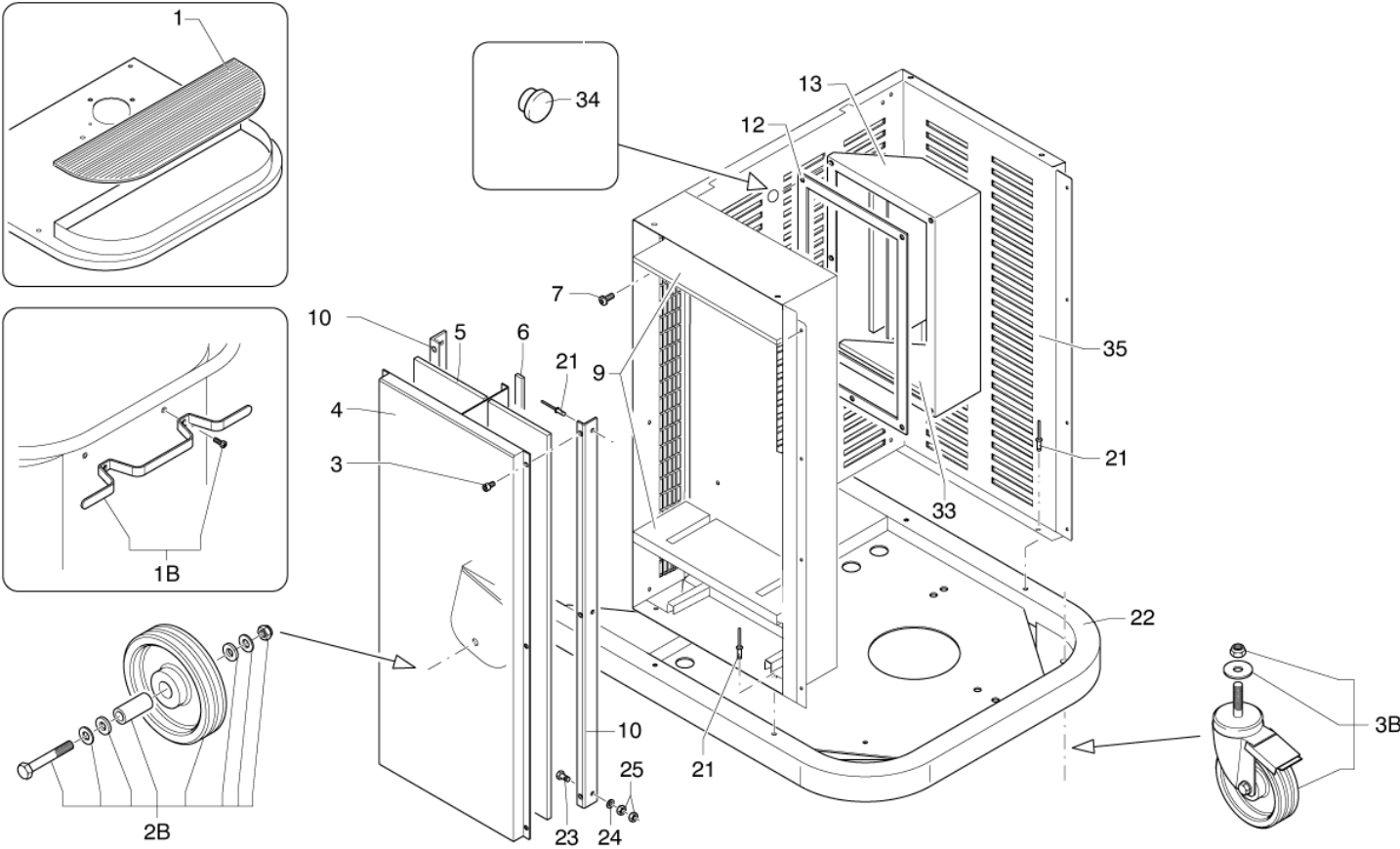
Frame 2

3308

02-03-2015

Part List ID
330803

5



Frame 2

3308

02-03-2015

Part List ID
330803

6

Pos	Part no.	Qty	Description
1	Z8 17811	1	MAT FOR TANK 3308-3508
3		6	NOTE COMMENT SCREW M6x16 UNI 5931 DIN 912
4	Z8 16323	1	L.H.PANEL MOD.3308
5	Z8 17644	1	SOUNDPROOF LEFT PANEL KIT
6	40000764	1	SEAL
7		4	NOTE COMMENT SCREW M6x16 UNI 5931 DIN 912
9	Z8 17645	1	SOUNDPROOF LEFT SIDE KIT
10	Z8 18915	2	CORNER
12	Z8 17647	1	JUNCTION FOR CONVEYOR
13	Z8 35093	1	DOWNSTREAM CONVEYOR
1B	40000544	1	KIT CABLE HOLDER
21		6	NOTE COMMENT RIVET D.6,4x10 DIN 7337
22	Z8 36469	1	TROLLEY 3308.3508
23		1	NOTE COMMENT SCREW M6x20 UNI 5739 DIN 933
24		1	NOTE COMMENT WASHER D.6 DIN 6798A
25		2	NOTE COMMENT NUT D.6 UNI 5588 DIN 934
2B	40000542	1	KIT FIX ASTOR D200
2B	40000543	1	KIT FIX ANTISTATIC CASTOR D200
33	Z8 17646	1	SOUNDPROOF CONVEYOR KIT
34	Z8 39934	1	PLUG BLIND D18.5 RUBBER
35	Z8 35131	1	CARTER 3308.3508
3B	40000405	1	KIT ANTIST. REVOLV. CASTOR ATEX D150
3B	40000541	1	KIT REVOLV. CASTOR D150

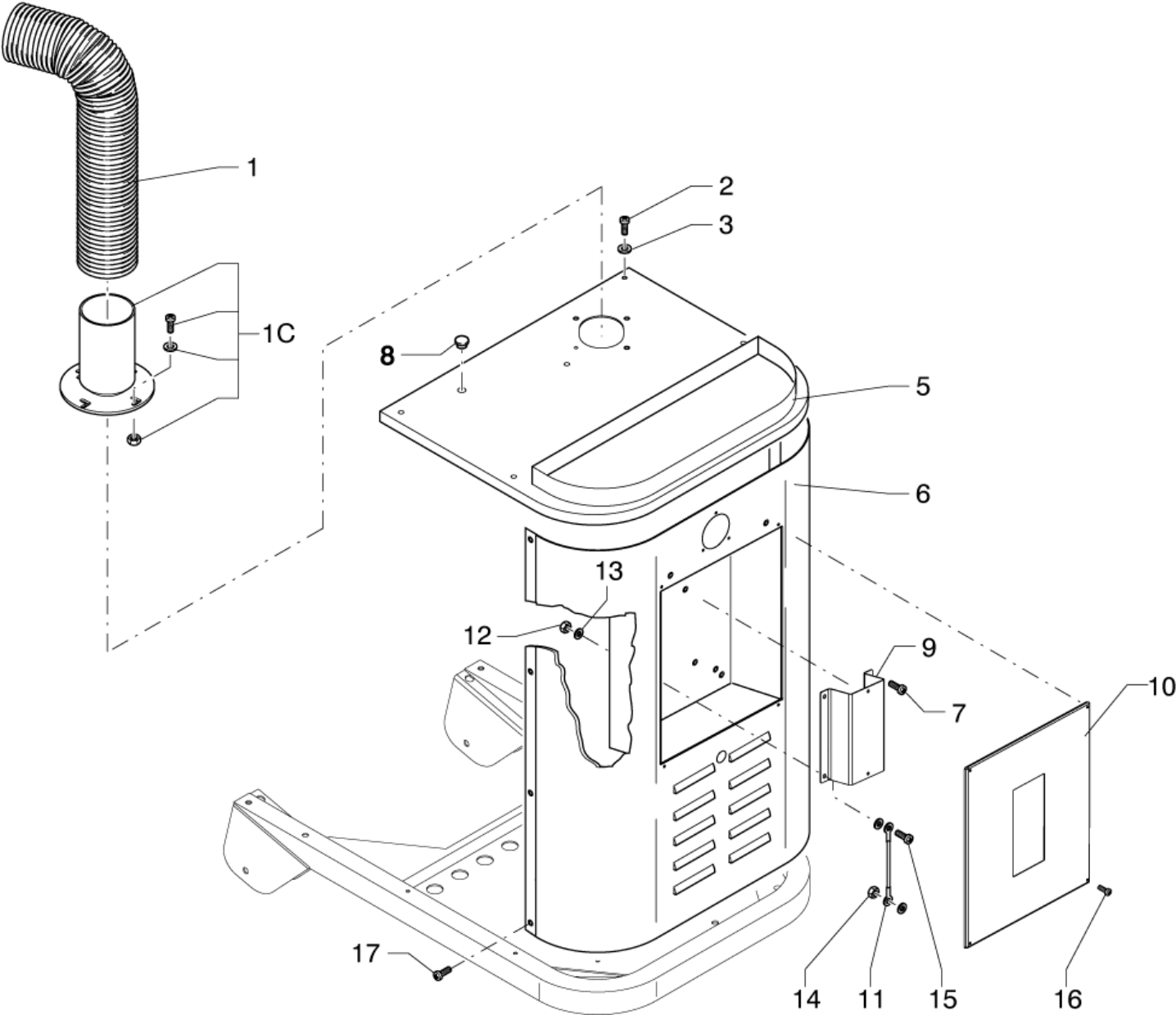
Frame 3

3308

02-03-2015

Part List ID
330805

7



Frame 3

3308

02-03-2015

Part List ID
330805

8

Pos	Part no.	Qty	Description
1	Z8 13232	1	EXT.CONENCTION HOSE 3308-3508
2		2	NOTE COMMENT SCREW M6x16 UNI 7687 DIN 7985
3		3	NOTE COMMENT WASHER D.6 DIN 6798A
3		2	NOTE COMMENT WASHER D.6 DIN 6798A
5	Z8 16406	1	SUP SHEET 3308-3508
6	Z8 35133	1	DOOR 3308.3508
7		3	NOTE COMMENT SCREW M6x10 UNI 7687 DIN 7985
8	Z8 39934	1	PLUG BLIND D18.5 RUBBER
9	Z8 14629	1	BRACKET E.B. 3308-3508
10	Z8 16408	1	E.B. PANEL 3308.3508
11	Z8 39667	1	CABLE EARTH MM 250
12		4	NOTE COMMENT NUT M6 UNI 7474 DIN 985
13		3	NOTE COMMENT WASHER D.6 DIN 6798A
14		1	NOTE COMMENT NUT M6 UNI 7474 DIN 985
15		1	NOTE COMMENT SCREW M6x16 UNI 7687 DIN 7985
16		4	NOTE COMMENT SCREW M4x16 UNI 6954 DIN 7981
17		8	NOTE COMMENT SCREW M6x16 UNI 6954 DIN 7981
1C	40000566	1	D100-70 MOBILE CONNECTION FITTING KIT

Frame 4

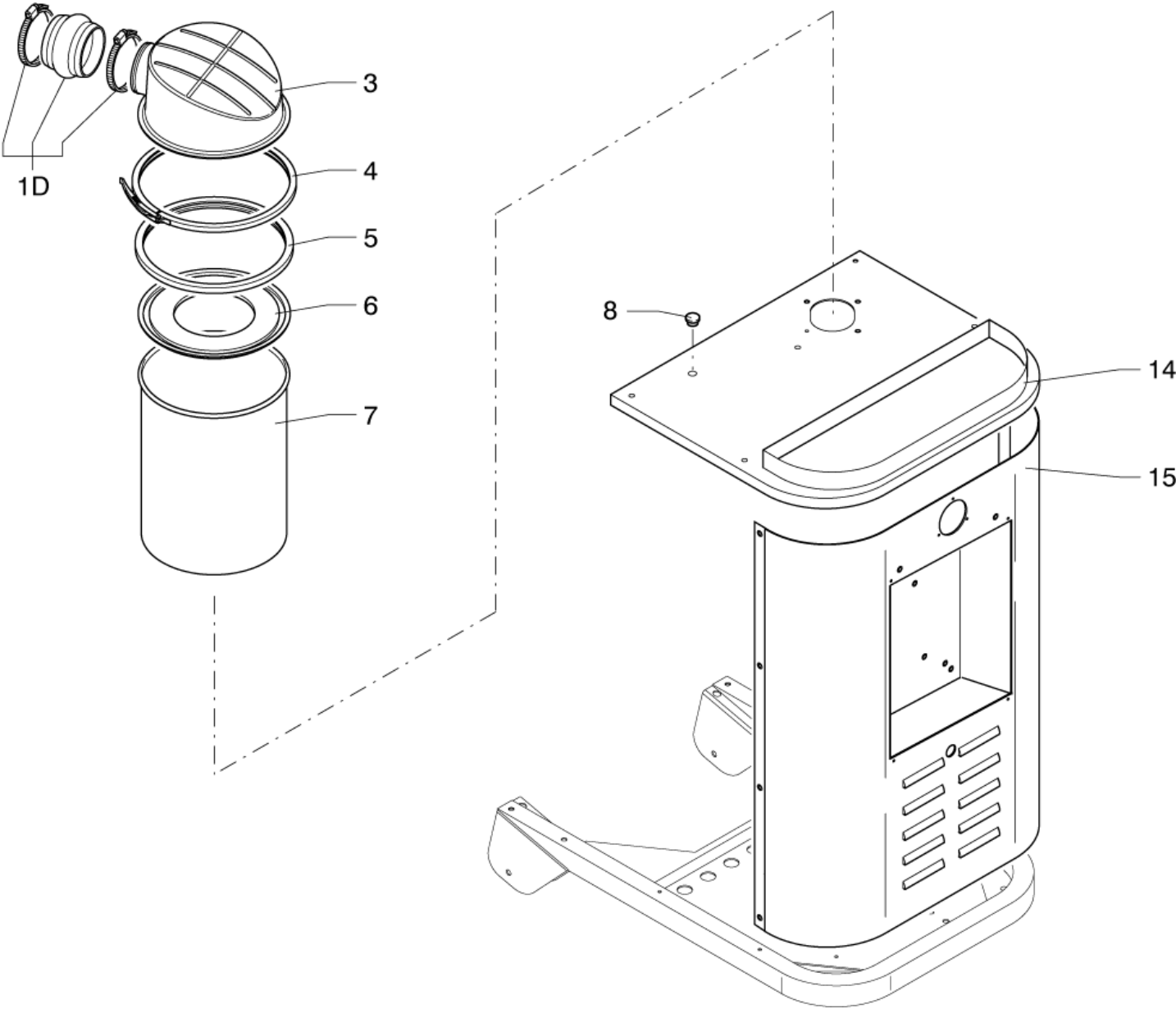
3308

02-03-2015

Part List ID

330807

9



Frame 4

3308

02-03-2015

Part List ID
330807

10

Pos	Part no.	Qty	Description
3	Z8 12367	1	CAP 280
4	Z8 36472	1	CLOSER 280
5	Z8 17640	1	JUNCTION D280
6	Z8 17631A	1	SUPERIOR TOP
7	Z8 30276	1	SECURITY FILTER CONT 280
8	Z8 39934	1	PLUG BLIND D18.5 RUBBER
14	Z8 16406	1	SUP SHEET 3308-3508
15	Z8 35133	1	DOOR 3308.3508
1D	40000545	1	KIT SLEEVE

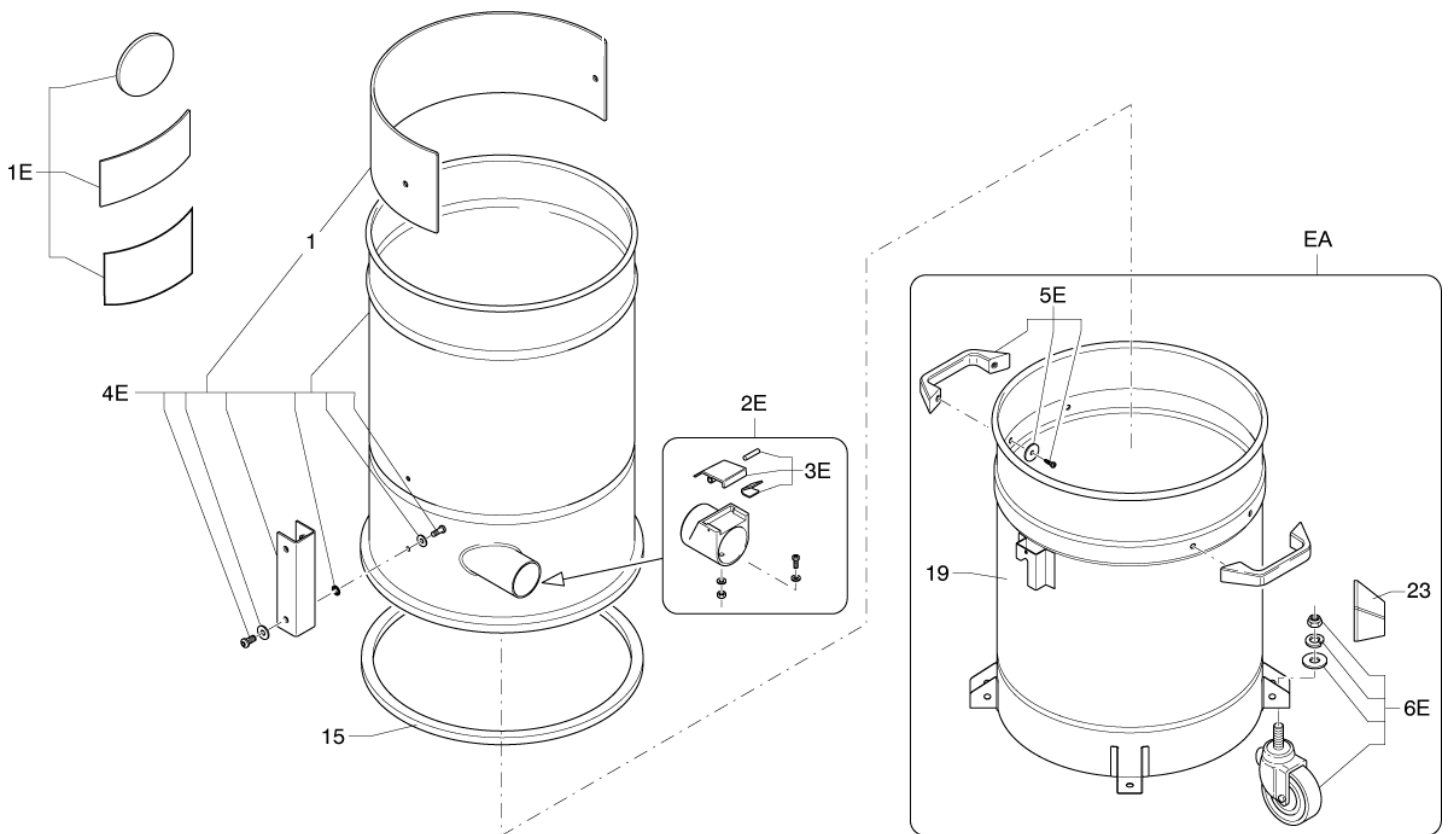
Container

3308

02-03-2015

Part List ID 330809

11



Container

3308

02-03-2015

Part List ID
330809

12

Pos	Part no.	Qty	Description
1	Z8 13225	1	SHIELD D460 MOD.3308 Z.PLT.
1	Z8 13227	1	SHIELD D460 MOD.3308 INOX
15	40000762	1	SEAL
19	Z8 30278	1	CONTAINER D460x600 FE LT.100 MOD.3308
19	Z8 30288	1	CONTAINER D460x600 INOX LT.100 MOD. 3308
1E	40000547	1	KIT LABELS
23	Z8 17021	4	BUMPER WHEEL HOLDER
2E	40000548	1	KIT COMPLETE INLET NIPLOY D70
2E	40000549	1	COMPLETE INLET KIT D70 STRAIGHT
3E	40000345	1	KIT PUSHBUTTON FOR INLET D70
4E	40000546	1	KIT FILTER CHAMBER
5E	40000423	1	KIT HANDLE SS
6E	40000419	1	KIT CASTORS FOR CONTAINER
6E	40000484	1	KIT CASTORS FOR CONTAINER INOX
EA	Z8 30291	1	CONTAINER D460x600 FE COMPL. LT.100 MOD.
EA	Z8 30295	1	CONTAINER D460x600 INOX COMP LT.100 MOD.

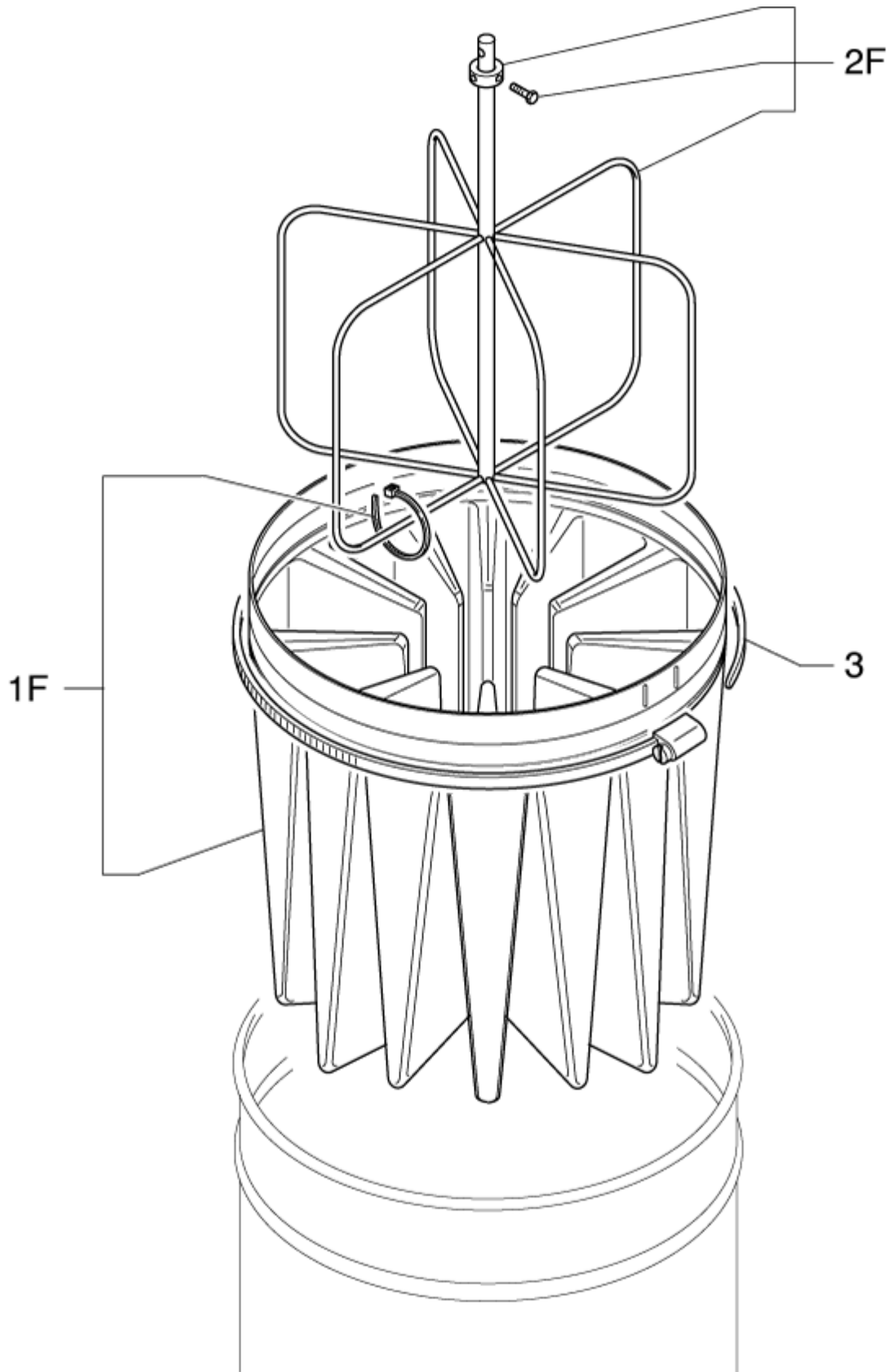
Filter group

3308

02-03-2015

Part List ID 330811

13



Filter group

3308

02-03-2015

Part List ID
330811

14

Pos	Part no.	Qty	Description
3	Z8 18079	1	FILTER BLOCK TIE D460
1F	40000338	1	KIT STAR FILTER D460 L CLASS
1F	40000425	1	KIT ANTISTATIC STAR FILTER D460
2F	40000550	1	FILTER CAGE KIT MOD. 3308

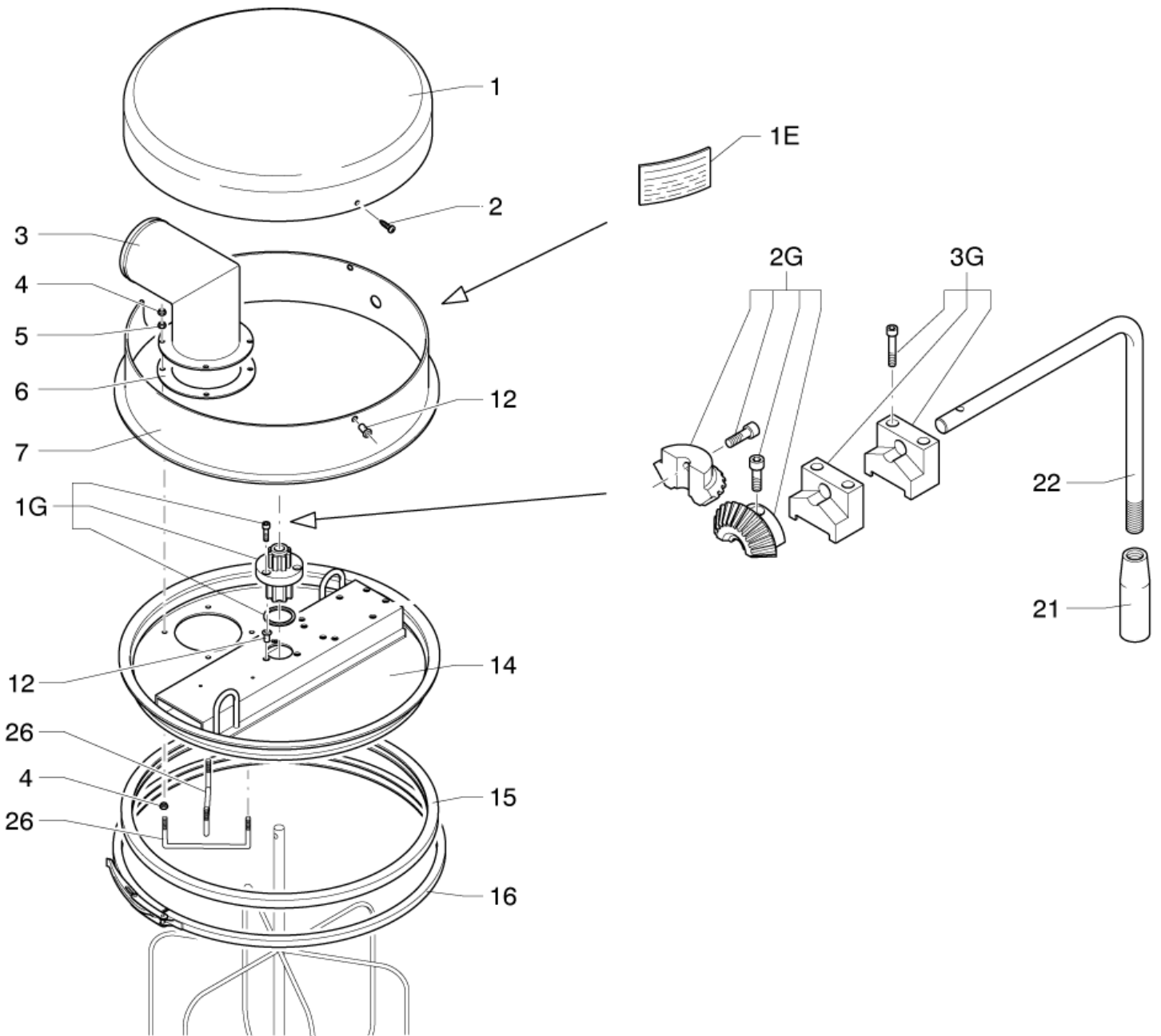
Shaker unit

3308

02-03-2015

Part List ID 330813

15



Shaker unit

3308

02-03-2015

Part List ID
330813

16

Pos	Part no.	Qty	Description
1	Z8 12368	1	CAP D460 FE MOD. 3308
1	Z8 12382	1	SS COVER 460 3308
2		3	NOTE COMMENT SCREW M6x16 UNI 7687 DIN 7985
3	Z8 32498	1	COLLECTOR D100
3	Z8 32526	1	SS COLLECTOR D100
4		8	NOTE COMMENT NUT M6 UNI 5588 DIN 934
5		4	NOTE COMMENT WASHER D.6 UNI 6592 DIN 433
6	Z8 17056	1	INLET SEAL D100
7	Z8 11087	1	COLLAR D460 3308
7	Z8 11107	1	SS COLLAR D460 3308
12	Z8 38036	10	THREADED INSERT M6
14	Z8 35088	1	FILTER HOLDER-BEAM D460 3308
14	Z8 35112	1	SS TRAVE FOR FILTER D460
15	Z8 17026	1	FILTER SEAL D460 BLACK
15	Z8 17126	1	FILTER SEAL D460 SILIC.
16	Z8 36191	1	BAND LOCK D.460
16	Z8 36355	1	BAND LOCK D460 INOX 3308 COMP. W.BRACKET
1E	40000547	1	KIT LABELS
1G	40000551	1	FILTER SHAKER BUSH KIT
21	Z8 40813	1	HANDGRIP
22	Z8 14544	1	LEVER FOR FILTERSHAKER D460
26	Z8 18969	2	SPACER FOR FILTER 3308
2G	40000552	1	PINION KIT
3G	40000553	1	FILTER SHAKER SUPPORT KIT

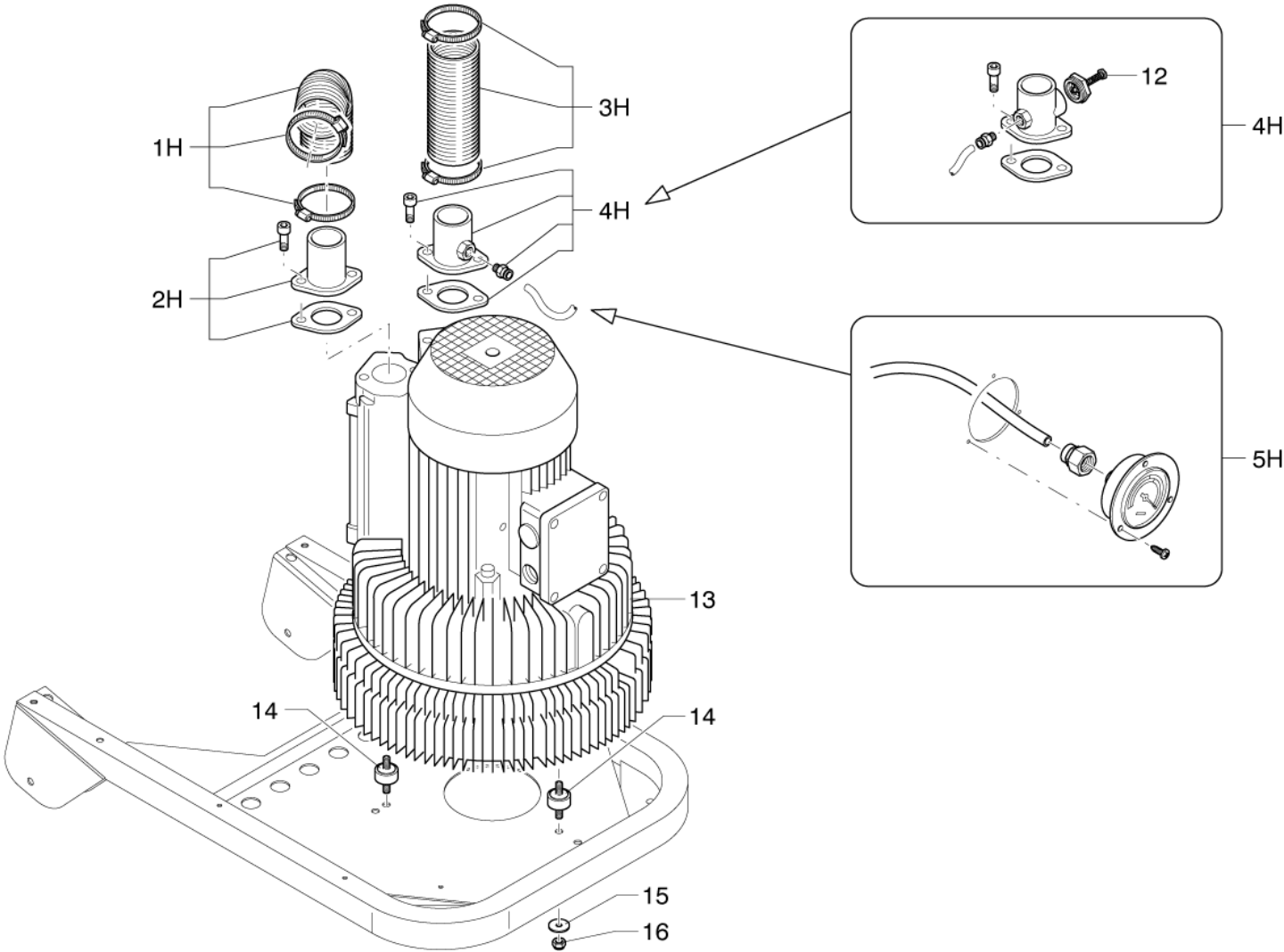
Suction unit

3308

02-03-2015

Part List ID
330815

17



Suction unit

3308

02-03-2015

Part List ID

330815

18

Pos	Part no.	Qty	Description
12	Z8 34024	1	RELIEF VALVE 1 1/2
13	Z4 55030 HP 3	1	BLOWER KW 2.2 V230/400/50
14	Z8 40068	3	PAD 40x30
15		3	NOTE COMMENT WASHER D.10x30 UNI 6593 DIN 9021
16		3	NOTE COMMENT NUT M10 UNI 7474 DIN 985
1H	40000557	1	KIT BLOWING TUBE
2H	40000556	1	KIT BLOWING CONNECTION D70
3H	40000560	1	KIT SUCTION TUBE
4H	40000558	1	KIT SUCTION CONNECTION D70
4H	40000559	1	KIT SUCTION CONNECT. D70 WITH LIMIT.
5H	40000554	1	KIT VACUUM GAUGE 4500
5H	40000555	1	KIT VACUUN GAUGE 3000

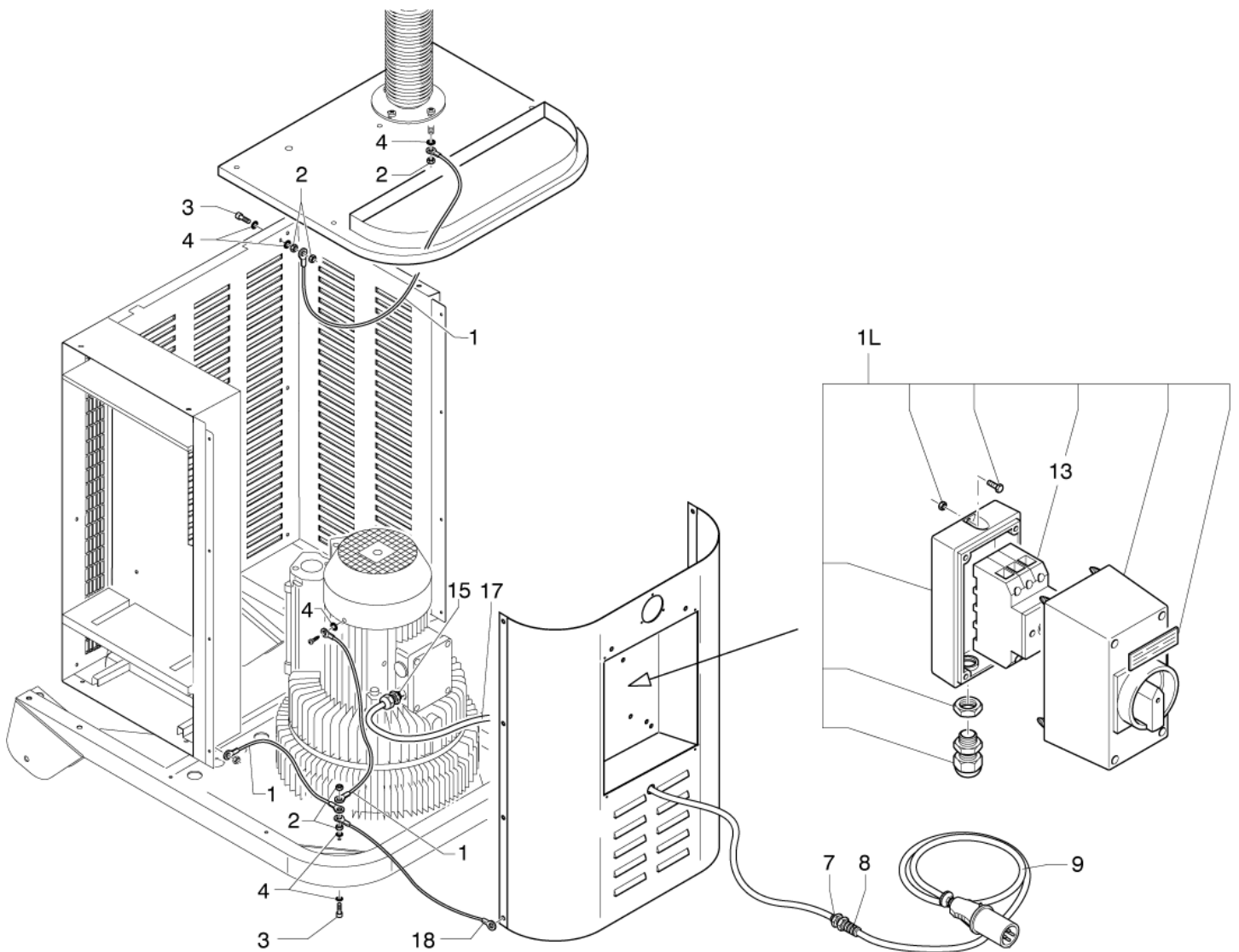
Electric system base

3308

02-03-2015

Part List ID
330817

19



Electric system base

3308

02-03-2015

Part List ID

330817

20

Pos	Part no.	Qty	Description
1	Z8 391055	5	KIT GROUND CABLES MOTOR BOX
2		7	NOTE COMMENT NUT M6 UNI 5588 DIN 934
3		3	NOTE COMMENT SCREW M6x25 UNI 5739 DIN 933
4		7	NOTE COMMENT WASHER D.6 DIN 6798A
7	Z8 39568	1	METAL RING NUT PG16
8	Z8 39060	1	CABLE GLAND PG16 PA SPRING
9	Z8 39937	1	CABLE SUP. 4G2.5 NE. SP16 9M
13	Z8 39915	1	CIRCUIT BREAKER 5.5-8 A SIRIUS S0
13	Z8 39916	1	CIRCUIT BREAKER 9-12.5 A SIRIUS S0
15	Z8 39794	1	CABLE GLAND M32 PA
17	Z8 39107	9	PUSHBUTTON GREEN 3SB3
18	Z8 39669	1	CABLE EARTH MM 700
1L	40000567	1	KIT ELECTRICAL INSTALL

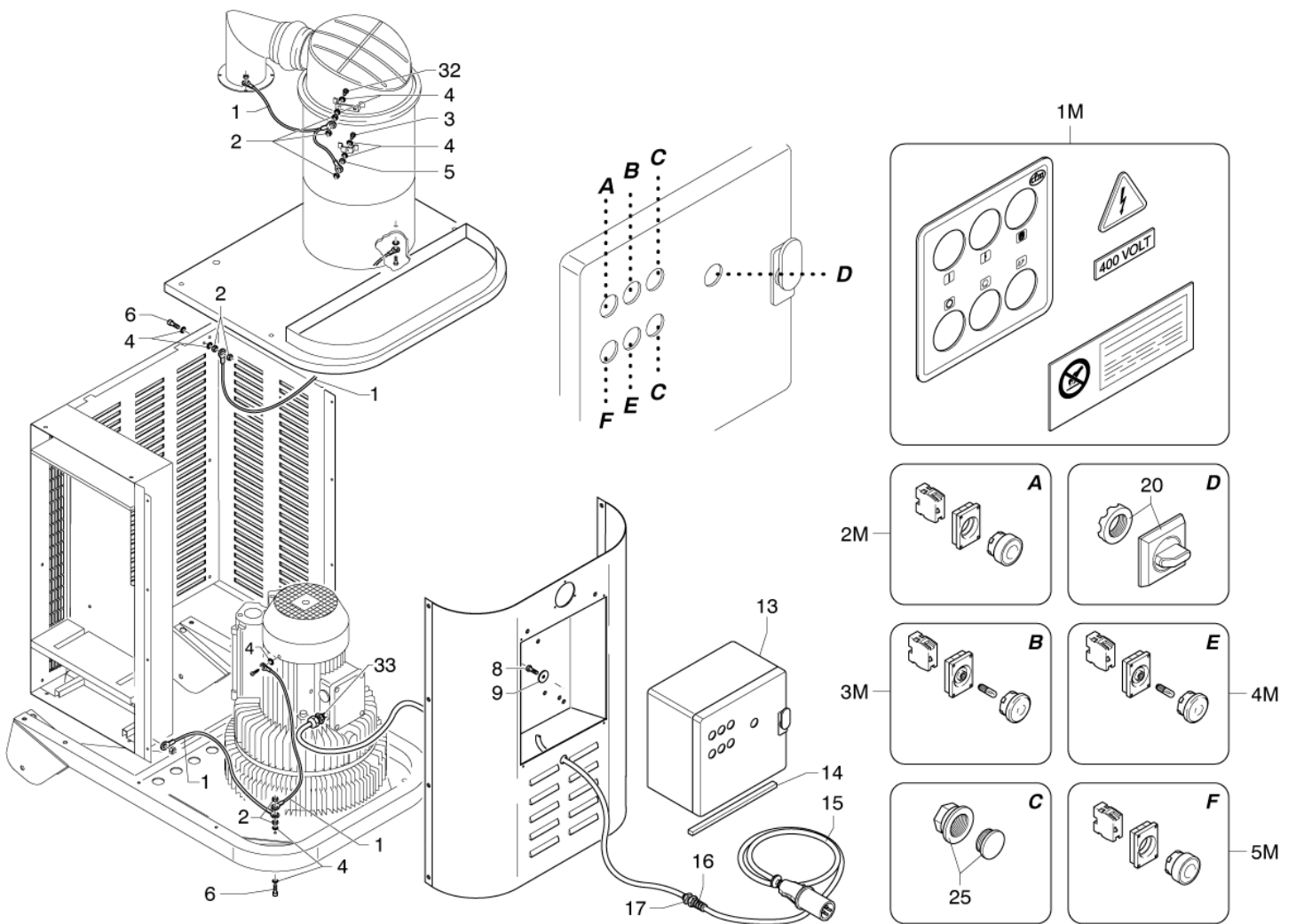
Electric system 3308LMH

3308

02-03-2015

Part List ID
330819

21



Electric system 3308LMH

3308

02-03-2015

Part List ID
330819

22

Pos	Part no.	Qty	Description
1	Z8 391055	5	KIT GROUND CABLES MOTOR BOX
2		9	NOTE COMMENT NUT M6 UNI 5588 DIN 934
3		1	NOTE COMMENT SCREW M6x10 UNI 5739 DIN 933
4		10	NOTE COMMENT WASHER D.6 DIN 6798A
5		1	NOTE COMMENT WASHER D.6 UNI 6592 DIN 433
6		3	NOTE COMMENT SCREW M6x25 UNI 5739 DIN 933
7	Z8 39981	1	FAIRLEAD RUBBERISED D16
8		4	NOTE COMMENT SCREW M8x20 UNI 5931 DIN 912
9		4	NOTE COMMENT WASHER D.8x24 UNI 6593 DIN 9021
10	Z8 39107	9	PUSHBUTTON GREEN 3SB3
13	Z8 41590	1	E.B. KW2.2 SF
14	40000765	1	SEAL
15	Z8 39937	1	CABLE SUP. 4G2.5 NE. SP16 9M
16	Z8 39060	1	CABLE GLAND PG16 PA SPRING
17	Z8 39568	1	METAL RING NUT PG16
1M	40000561	1	ELECTRIC BOARD LABELS KIT
20	Z8 39924	1	HANDLING TO SIRIUS S0 CIRCUIT BREAKER
25	Z8 39522	2	PLUG BLIND CONTROL PLATE D22
2M	40000562	1	GREEN BUTTON KIT
32		1	NOTE COMMENT SCREW M6x16 UNI 5739 DIN 933
33	Z8 39793	1	CABLE GLAND M25 PA
3M	40000563	1	WHITE INDICATOR KIT
4M	40000564	1	YELLOW INDICATOR KIT
5M	40000565	1	RED BUTTON KIT

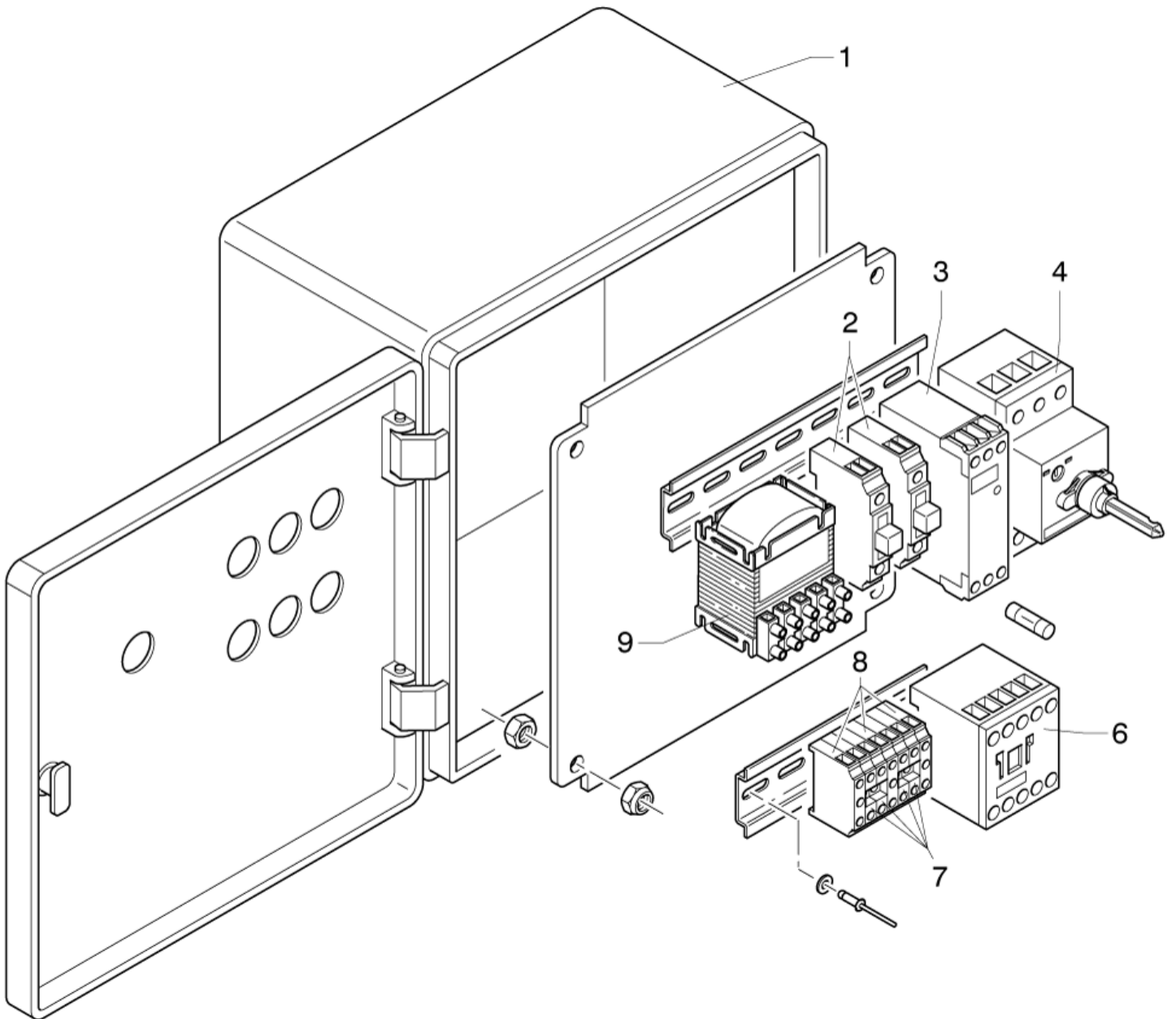
Electric board

3308

02-03-2015

Part List ID
330821

23



Electric board

3308

02-03-2015

Part List ID
330821

24

Pos	Part no.	Qty	Description
1	Z8 39103	1	THERMAL 11-16 A SIRIUS S0
2	Z8 39244	2	TERMINAL FUSEHOLDER 1.5mmq S 5X20
3	Z8 39112	1	PILOT LIGHT RED D22 3SB3
4	Z8 39915	1	CIRCUIT BREAKER 5.5-8 A SIRIUS S0
6	Z8 39281	1	CONTACTOR KW4 24VAC 1NO SIRIUS S00
7	Z8 39120	4	TERMINAL LINE 6MMQ S
8	Z8 39121	3	TERMINAL EARTH 6MMQ S
9	Z8 391050	1	TRANSFORMER 20VA 400-230/24V FUSE AT SEC

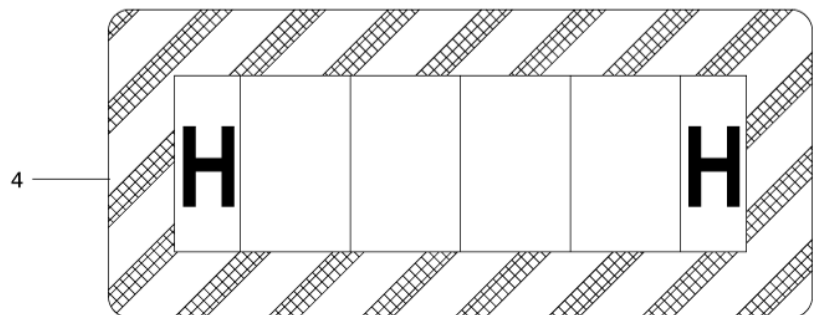
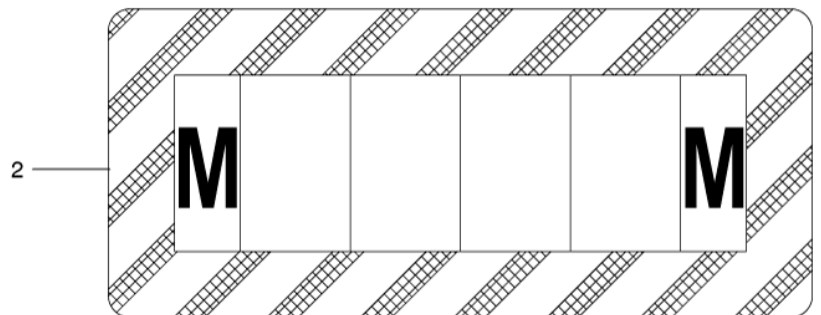
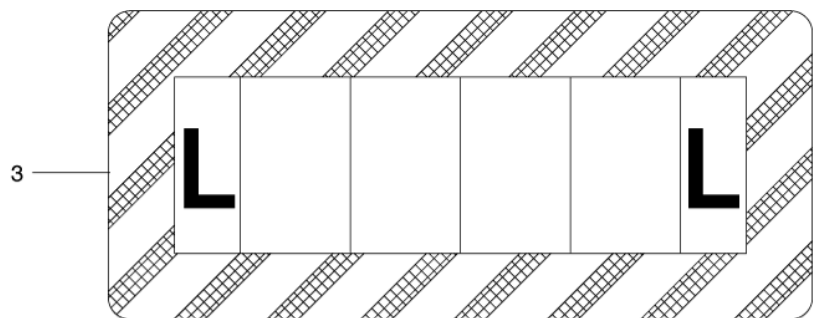
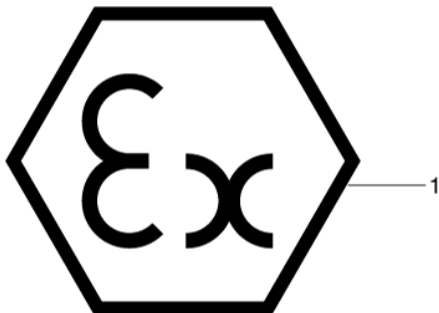
Lmh atex label

3308

02-03-2015

Part List ID 330823

25



Lmh atex label

3308

02-03-2015

Part List ID
330823

26

Pos	Part no.	Qty	Description
1		1	NOTE COMMENT
2		1	NOTE COMMENT
3	Z8 17550	1	LABEL CATEGORY L
4		1	NOTE COMMENT