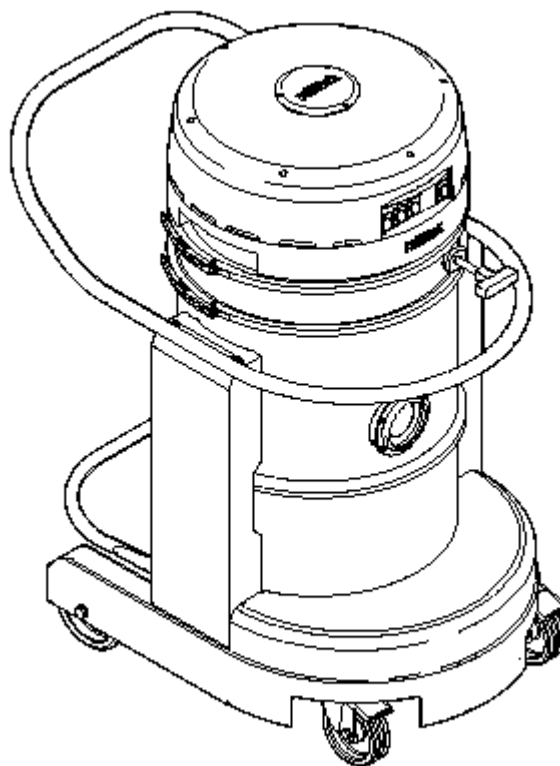


# IVB 2000 S

---

Model:  
IVB 2000 S



Part List US-English

04-02-2015

# Table of Contents

IVB 2000 S

<b>Trolley</b>	<b>3</b>
<b>Containers. IVT 2000B</b>	<b>5</b>
<b>Containers IVT 2000 S and IVB 2000S</b>	<b>7</b>
<b>Filters and Top Container</b>	<b>9</b>
<b>Head. IVT 2000B-IVT 2000S</b>	<b>11</b>
<b>Head. IVB 2000S</b>	<b>13</b>
<b>Standard electric components</b>	<b>15</b>
<b>Class M. IVT 2000B</b>	<b>17</b>
<b>Class M. IVT 2000S-IVB 2000S</b>	<b>19</b>
<b>Safe bag system IVT 2000B</b>	<b>21</b>
<b>Safe bag system. IVT 2000S-IVB 2000S</b>	<b>23</b>
<b>Class H. IVT 2000B</b>	<b>25</b>
<b>Class H. IVT 2000S-IVB 2000B</b>	<b>27</b>
<b>Exhaust filter. IVT 2000B and IVT 2000S</b>	<b>29</b>
<b>Dust bag system. IVT 2000S-IVB 2000S</b>	<b>31</b>
<b>S.S.Container. IVT 2000B</b>	<b>33</b>
<b>S.S.Container. IVT 2000S-IVB 2000S</b>	<b>35</b>
<b>Plastic bag system. IVT 2000S-IVB 2000S</b>	<b>37</b>
<b>Asbestos. IVB2000S</b>	<b>39</b>
<b>230V Liqued system. IVB 2000S</b>	<b>41</b>
<b>110V Luquid system. IVB 2000S</b>	<b>43</b>
<b>Steel basket system. IVT 2000S-IVT 2000B-IVB 2000S</b>	<b>45</b>
<b>Fixed floor nozzle. IVT 2000B</b>	<b>47</b>

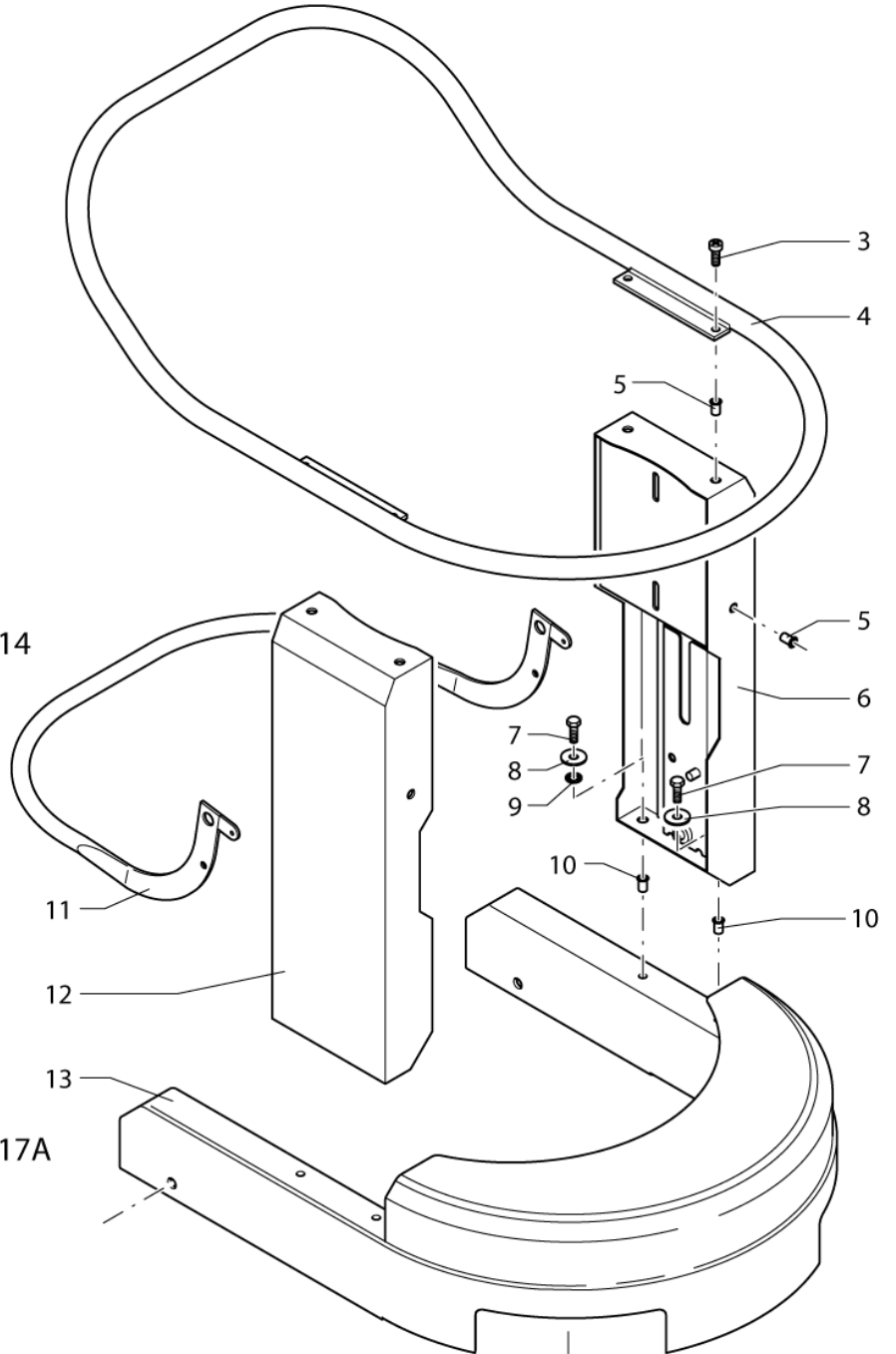
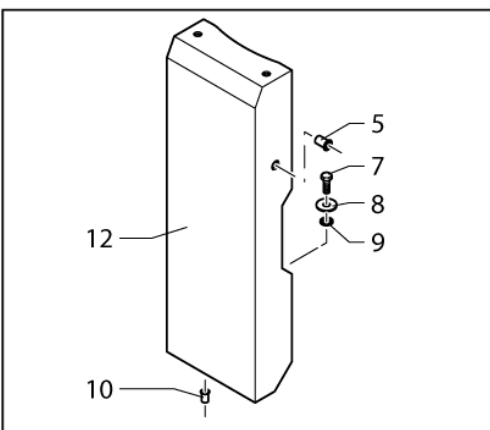
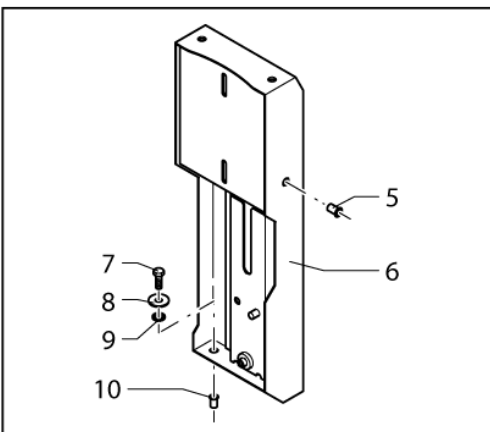
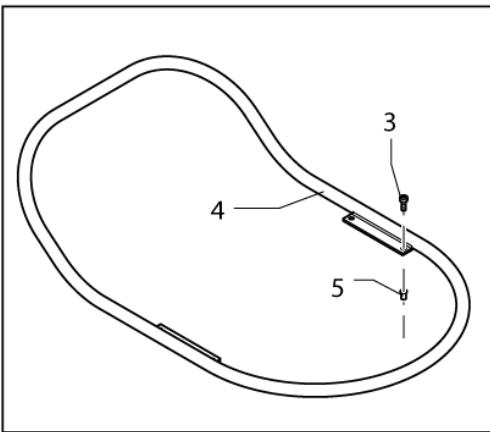
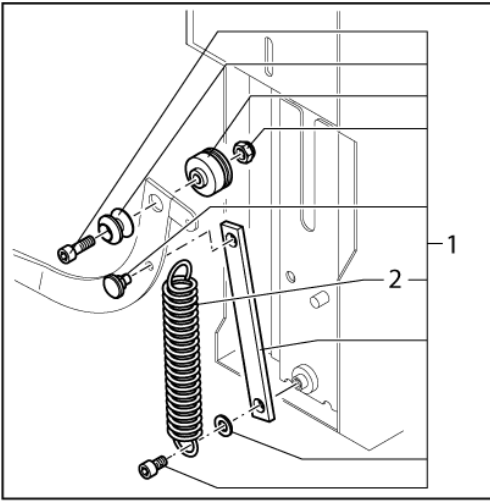
# Trolley

VB 2000 S

04-02-2015

Part List ID  
G21633

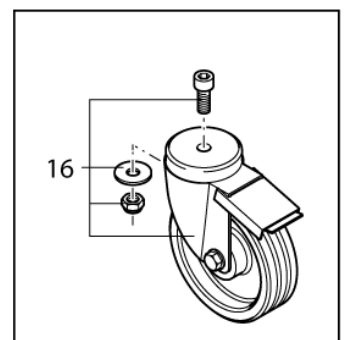
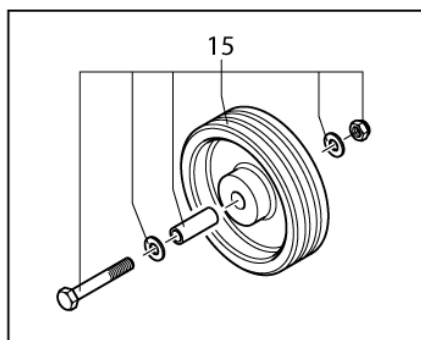
3



14

17A

17B



# Trolley

## IVB 2000 S

04-02-2015

Part List ID

GZ1633

4

Pos	Part no.	Qty	Description
1	32400874	1	LEVER.FOR LOWERING COMPL. IVT/IVB
2	Z8 14267	2	RELEASE SPRING MODEL 137
11	32400655	1	LEVER.RELEASING
13	32400644	1	BASE.FOR COMPLETE TROLLEY
14	32400875	1	HANDLE.GUIDE COMPLETE IVT/IVB 2000 B/S
15	32400880	2	WHEEL.FIXED COMPLETE IVT/IVB 2000-3000
16	32400881	2	WHEEL.PIVOTING COMPLETE IVT/IVB
17A	32400882	1	PILLAR.LEFT COMPLETE IVT 2000 - 3000 B
17A	32400883	1	PILLAR.LEFT COMPLETE IVT/IVB 2000 - 3000
17B	32400884	1	PILLAR.RIGHT COMPLETE IVT 2000 - 3000 B
17B	32400916	1	PILLAR.RIGHT COMPLETE IVT/IVB 2000 -

# Containers. IVT 2000B

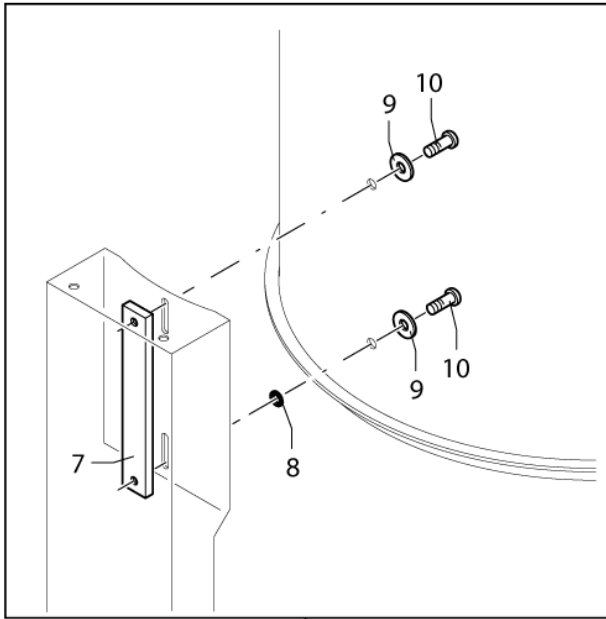
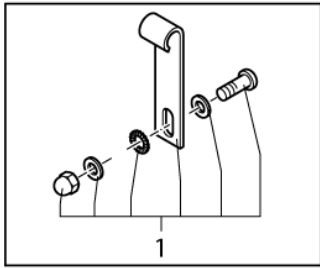
IVB 2000 S

04-02-2015

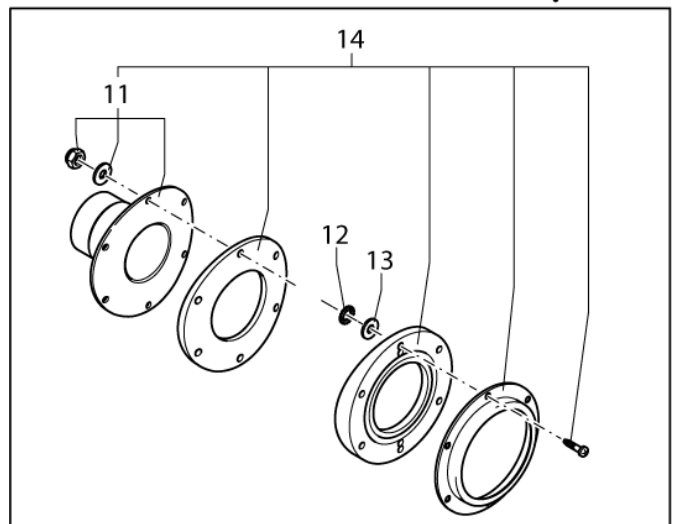
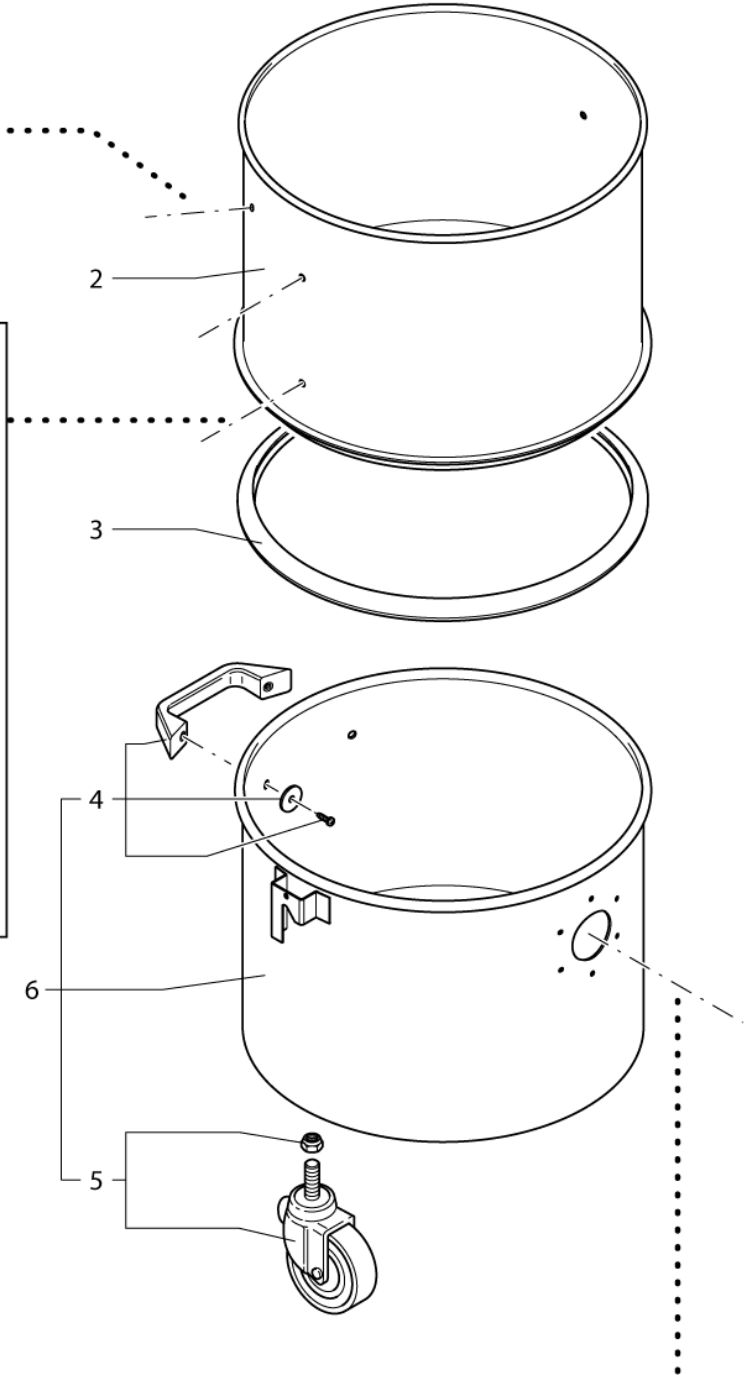
Part List ID

G21635

5



15



# Containers. IVT 2000B

IVB 2000 S

04-02-2015

Part List ID

GZ1635

6

Pos	Part no.	Qty	Description
1	32400917	1	PLATE NUT.FOR GROUNDING COMPLETE IVT/IVB
2	32400671	1	CHAMBER.FOR FILTER D.460
3	32400066	1	GASKET.SHAPED D460
4	32400333	1	HANDLE.KIT FOR CONTAINER
5	32400332	3	WHEELS.CONTAINER COMPLETE IV022/040
6	32400918	1	CONTAINER.KIT COMPLETE IVT 2000 B KIT
11	32400921	1	DEFLECTOR.KIT IVT 2000 B
14	32400922	1	INLET.KIT IVT/IVB 2000B/S IV 075-IV
15	32400923	1	PLATE.FIXING COMPLETE IVT/IVB 2000-3000

# Containers IVT 2000 S and IVB 2000S

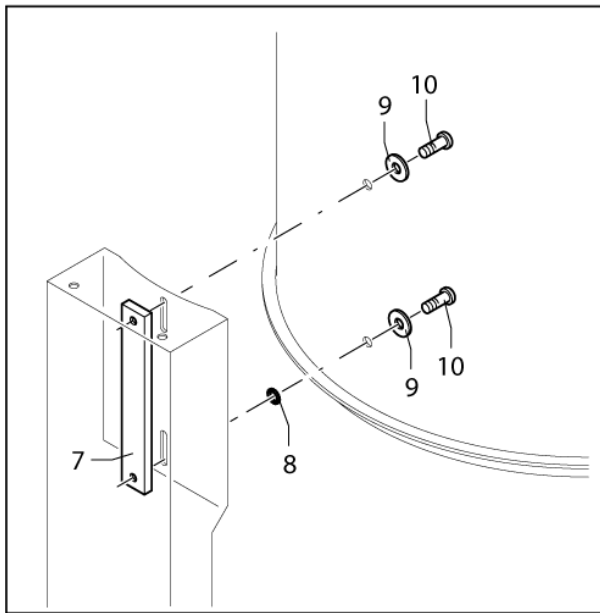
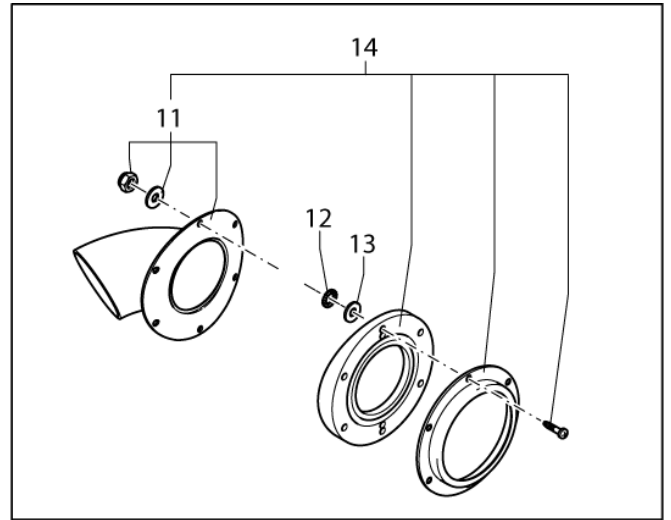
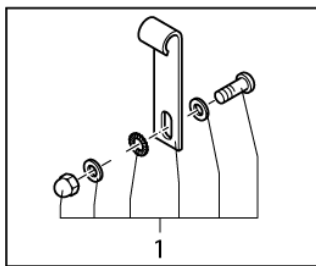
IVB 2000 S

04-02-2015

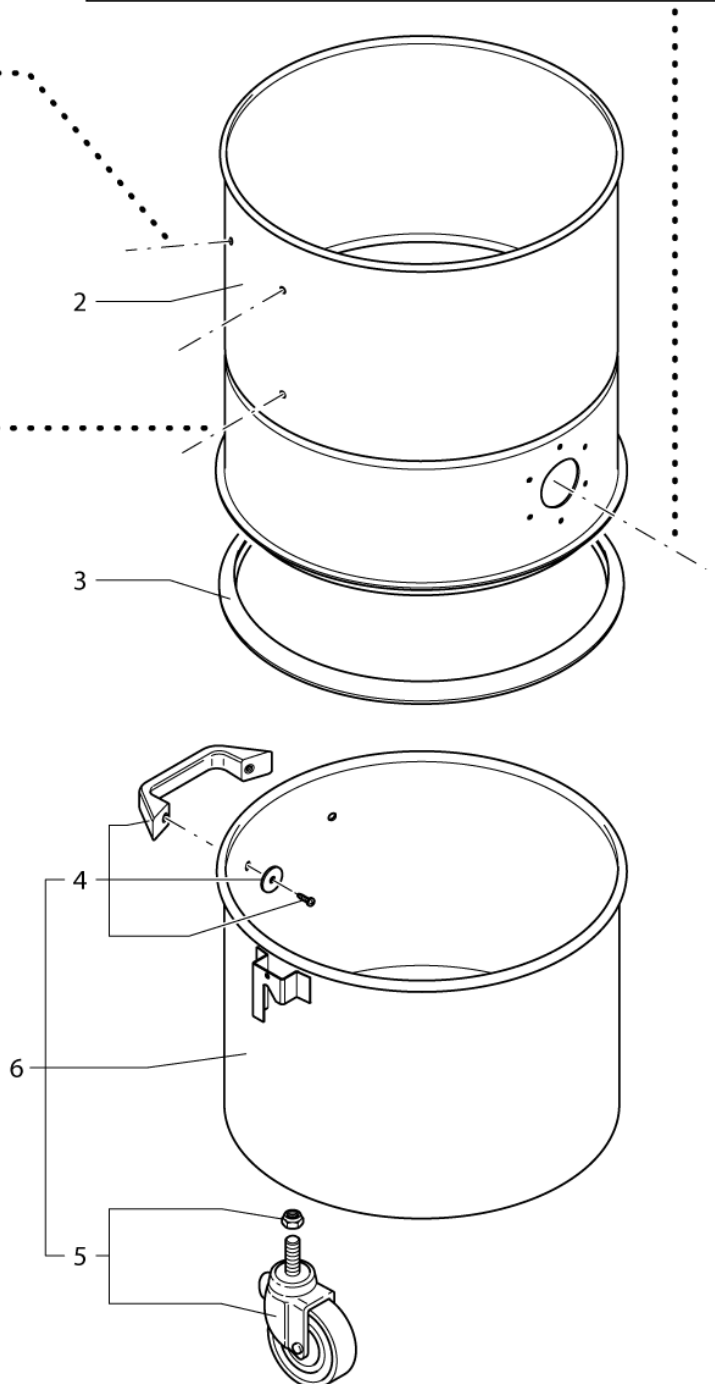
Part List ID

G21637

7



15



# Containers IVT 2000 S and IVB 2000S

IVB 2000 S

04-02-2015

Part List ID

GZ1637

8

Pos	Part no.	Qty	Description
1	32400917	1	PLATE NUT.FOR GROUNDING COMPLETE IVT/IVB
2	32400716	1	CHAMBER.FILTER
3	32400066	1	GASKET.SHAPED D460
4	32400333	2	HANDLE.KIT FOR CONTAINER
5	32400332	3	WHEELS.CONTAINER COMPLETE IV022/040
6	32400924	1	CONTAINER.KIT COMPLETE IVT/IVB 2000 S
11	32400940	1	DEFLECTOR.KIT IVT/IVB 2000 S
14	32400941	1	INLET.KIT IVT/IVB 2000 S
15	32400923	1	PLATE.FIXING COMPLETE IVT/IVB 2000-3000



# Filters and Top Container

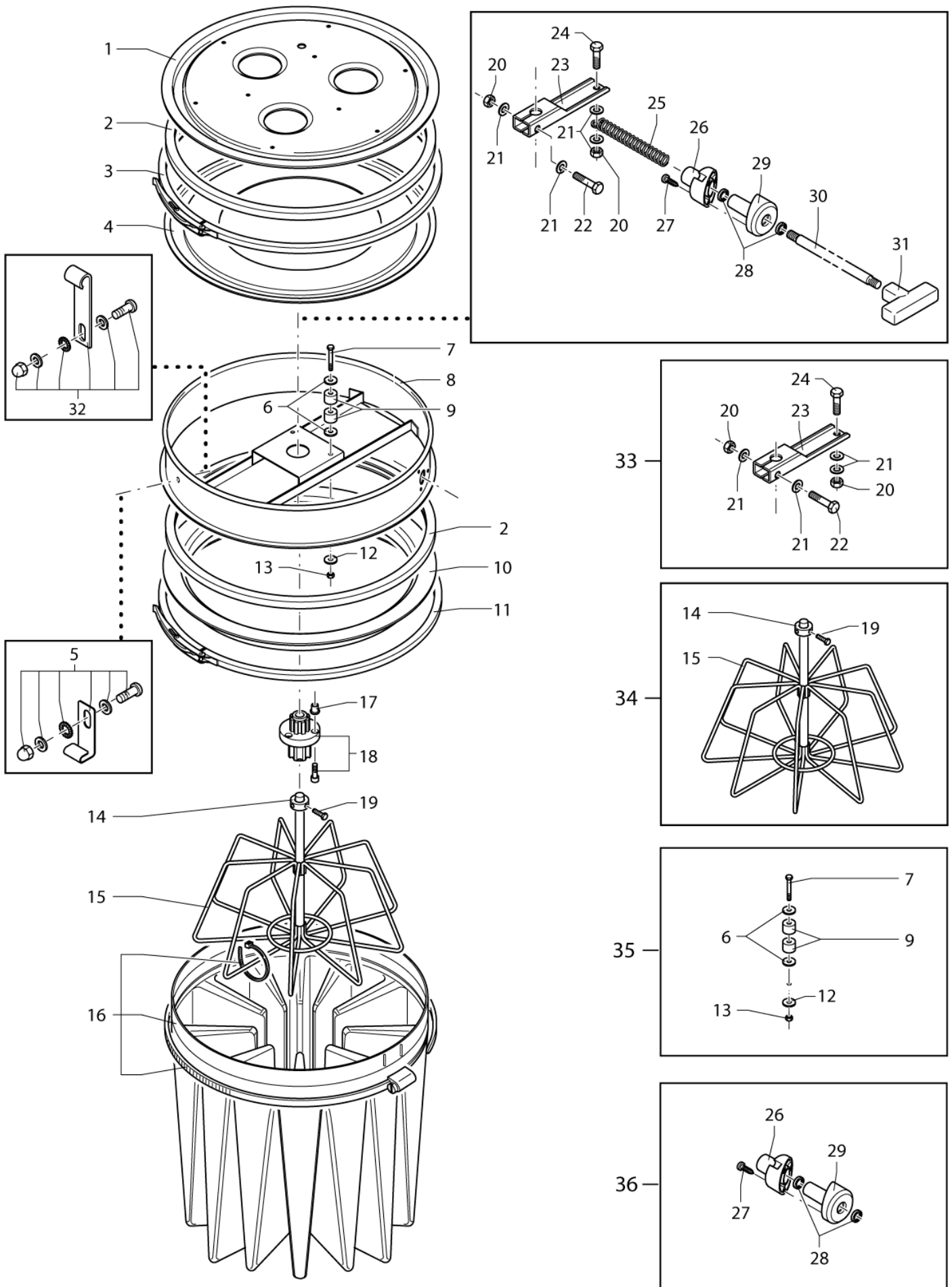
IVB 2000 S

04-02-2015

Part List ID

G21639

9



# Filters and Top Container

IVB 2000 S

04-02-2015

Part List ID

GZ1639

10

Pos	Part no.	Qty	Description
1	32400686	1	HOLDER MOTOR
2	32400060	2	GASKET.FOR RING D.460
3	Z8 36191	1	BAND LOCK D.460
4	32400663	1	RING.FOR GASKET
5	32401028	1	PLATE NUT.FOR GROUNDING COMPLETE IVT/IVB
8	32400714	1	LATERAL.D460
10	Z8 15003	1	FILTER HOLDER RING D460 FE
10	Z8 15005	1	FILTER HOLDER RING D560 FE
11	Z8 36191	1	BAND LOCK D.460
11	Z8 36450	1	BAND LOCK D.560
16	32401030	1	FILTER 32400270 POLYESTER IVT/IVB 2000
16	32401031	1	FILER 32400273 PTFE IVT/IVB 2000 B/S
16	32401032	1	FILTER 32400572 COTTON IVT/IVB 2000 B/S
16	32401033	1	FILTER 32400274 POLYESTER NO-STAT
16	32401034	1	FILTER 32400275 PTFE NO STAT IVT/IVB
16	32401035	1	FILTER 32400272 NOMEX IVT/IVB 2000 B/S
18	32400325	1	BUSHING.FILTER SHAKER KIT
25	32400658	1	SPRING.FILTER SHAKER
30	32400662	1	ROD.FILTER SHAKER
31	Z8 40027	1	KNOB D70 M12 NO HOLE
32	32400917	1	PLATE NUT.FOR GROUNDING COMPLETE IVT/IVB
33	32401044	1	LEVER.FOR MOVING KIT COMPL.IVT/IVB
34	32401045	1	CAGE.FILTER KIT IVT/IVB 2000 B/S
35	32401089	1	BUMPER SET COMPLETE
36	32401088	1	BUSH COMPL.FOR FILTERSHAKER

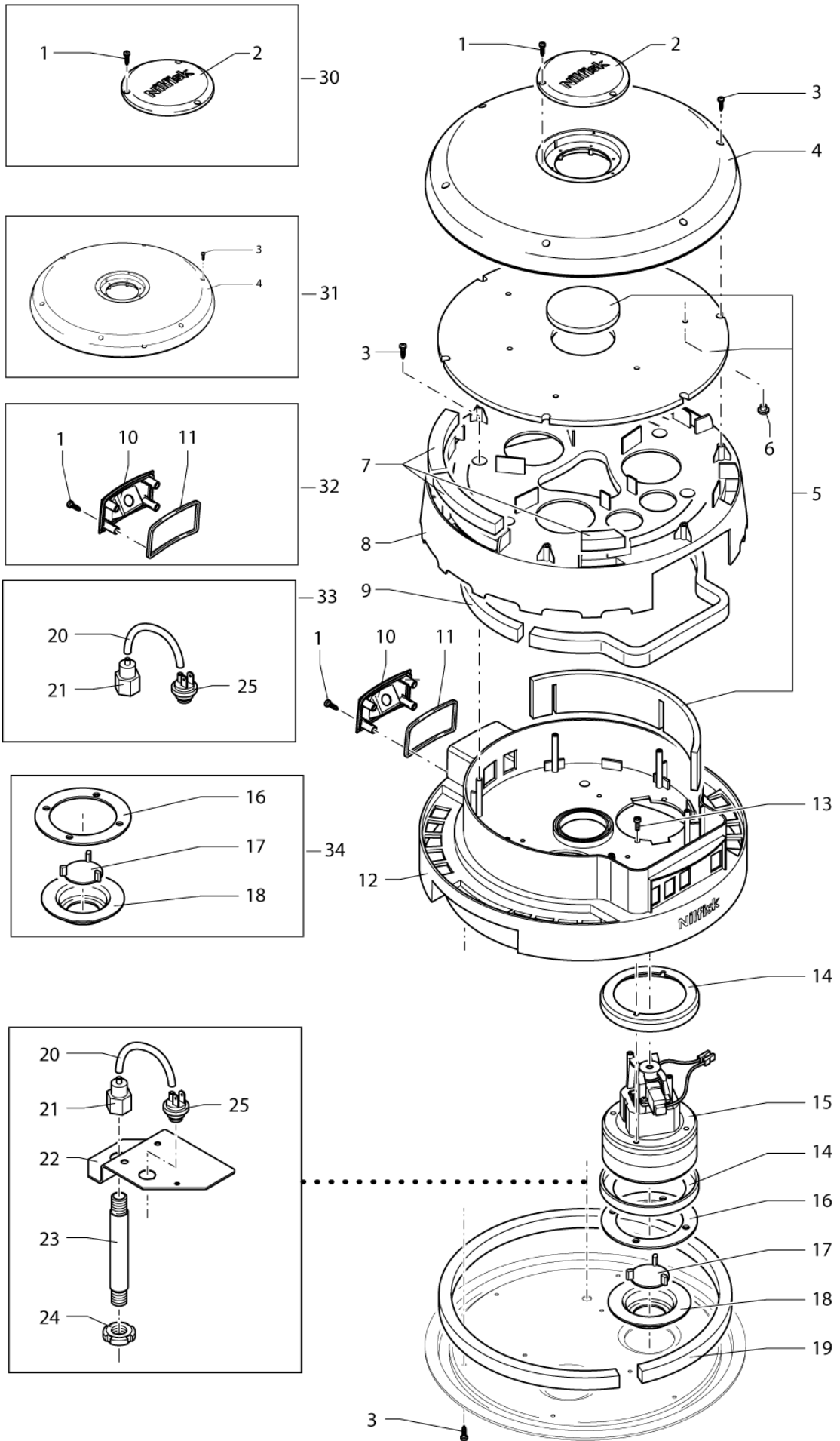
# Head. IVT 2000B-IVT 2000S

IVB 2000 S

04-02-2015

Part List ID  
G216311

11



# Head. IVT 2000B-IVT 2000S

IVB 2000 S

04-02-2015

Part List ID  
G216311

12

Pos	Part no.	Qty	Description
5	32400691	1	SOUNPROOF
6	32400953	6	BUTTON.PVC CODE A051
7	32400690	1	DIFFUSER.KIT
8	32400584	1	DECK
9	32400693	1	GASKET
12	32400589	1	FIXING MOTORS N.2
14	32400305	4	GASKET.UNDER MOTOR
14	Z8 17602	4	JOINT MOTOR MM3
15	32400707	2	MOTOR. MONOPHASE TF 220-240V/50-60HZ
15	Z8 54003 115	2	MOTOR SINGLE-PH. W800.V115
19	32400692	1	GASKET
30	32401090	1	BLIND COVER COMPLETE IVT/IVB
31	32401091	1	COVER COMPLETE IVT
32	32401092	1	CABLE CONNECTION COMPL. IVT/IVB
33	32401094	1	PRESSURE SENSOR COMPLETE IVT/IVB
34	32401093	1	CAP/GASKET COMPL IVT/IVB

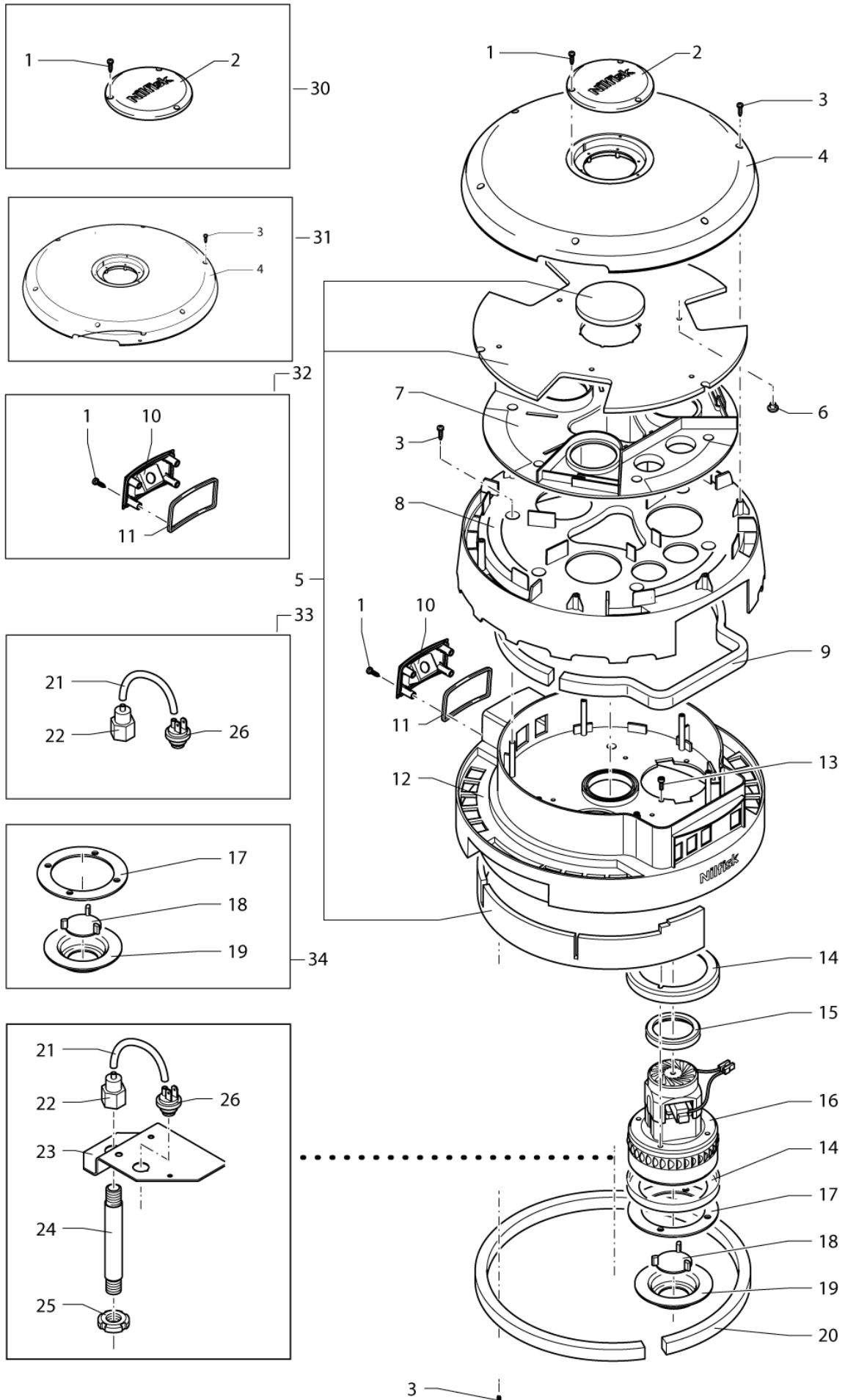
# Head. IVB 2000S

IVB 2000 S

04-02-2015

Part List ID  
G216313

13



# Head. IVB 2000S

IVB 2000 S

04-02-2015

Part List ID  
G216313

14

Pos	Part no.	Qty	Description
5	32400722	1	SOUNPROOF.KIT
7	32400582	1	ADAPTER
8	32400584	1	DECK
9	32400693	1	GASKET
12	32400589	1	FIXING MOTORS N.2
14	32400305	4	GASKET.UNDER MOTOR
15	32400501	2	GASKET.D.80
16	40000937	2	MOTOR KIT V230 SEE TSB 32/2011
16	40000938	2	MOTOR KIT V110 UK
20	32400692	1	GASKET
30	32401090	1	BLIND COVER COMPLETE IVT/IVB
31	32401095	1	COVER COMPLETE IVB
32	32401092	1	CABLE CONNECTION COMPL. IVT/IVB
33	32401094	1	PRESSURE SENSOR COMPLETE IVT/IVB
34	32401093	1	CAP/GASKET COMPL IVT/IVB

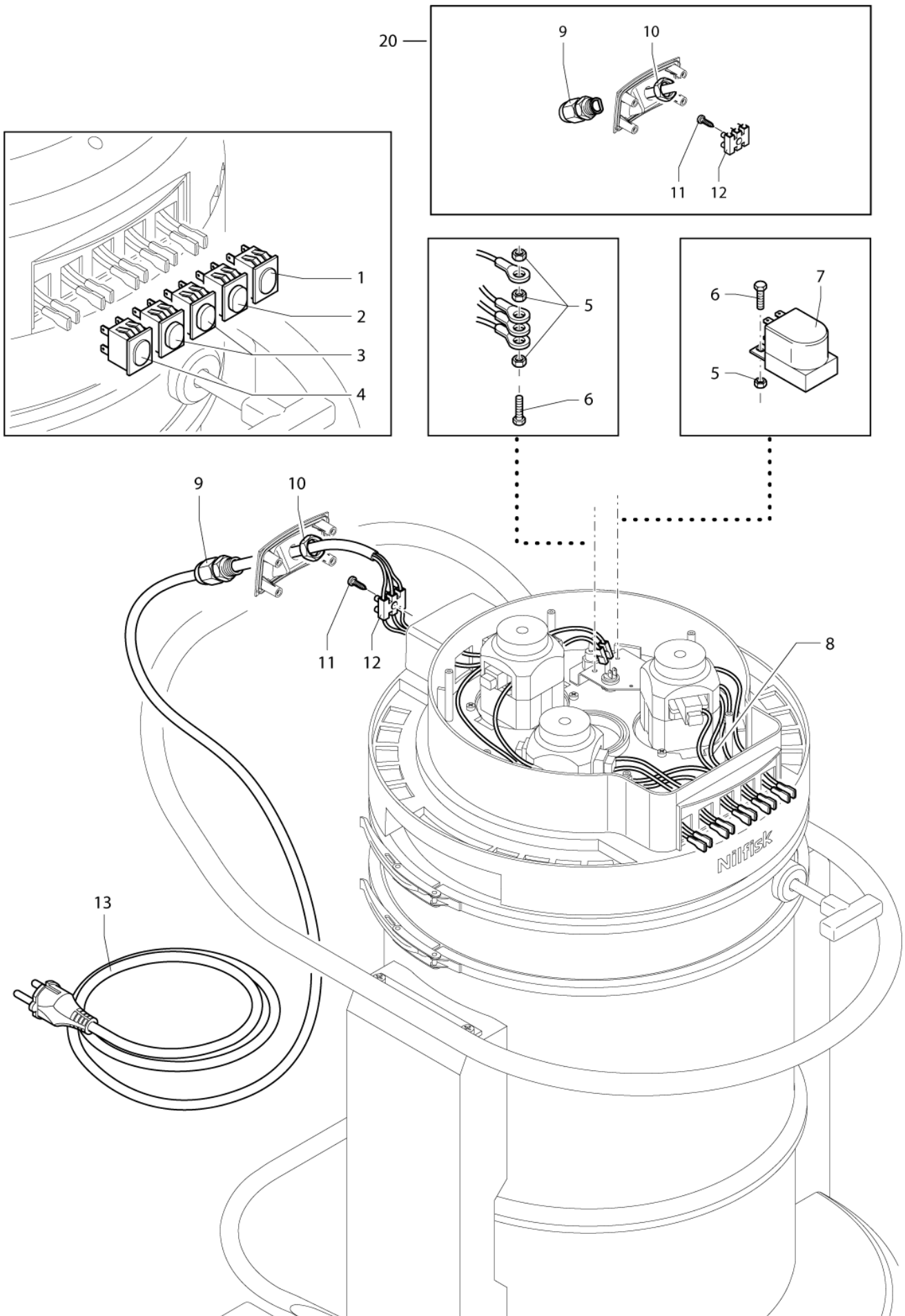
# Standard electric components

IVB 2000 S

04-02-2015

Part List ID  
G216315

15



# Standard electric components

IVB 2000 S

04-02-2015

Part List ID  
G216315

16

Pos	Part no.	Qty	Description	
1	32400696	1	VACUUM INDICATOR LIGHT	
2	22160600	1	ON/OFF SWITCH KIT 2-POL	
3	22160600	2	ON/OFF SWITCH KIT 2-POL	
4	32400695	1	POWER INDICATOR LIGHT	
7	32400946	1	CAPACITOR.FOR HEAD 110V	
7	Z8 39533	1	FILTER ANTIJAMMING 16A	
8	32400811	1	CABLES.KIT HEAD X2 MOTORS	
8	32400947	1	CABLES.KIT FOR HEAD 2 MOTORS 110V	
13	32400949	1	CABLE.POWER SUPPLY	
13	Z8 39016	1	CABLE SUP. 3G1.5 NE. SCHUKO 9M MOD.S3	
20	32401096	1	CABLE SUPPORT CONNECTION 220 V COMPLETE	Only 220V
20	32401097	1	CABLE SUPPORT CONNECTION 110 V COMPLETE	Only 110V



# Class M. IVT 2000B

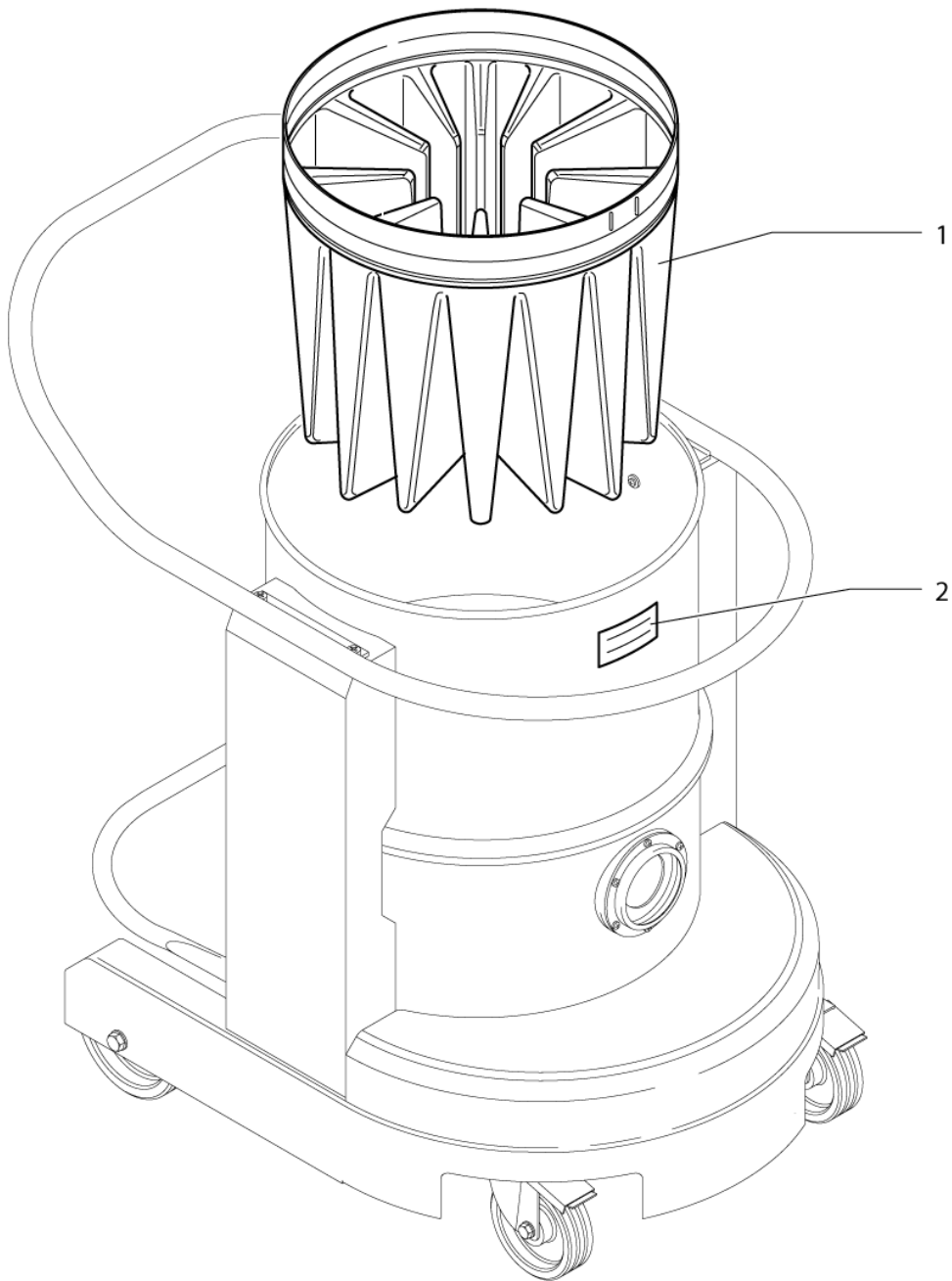
IVB 2000 S

04-02-2015

Part List ID  
G216317

17

3



# Class M. IVT 2000B

IVB 2000 S

04-02-2015

Part List ID  
G216317

18

Pos	Part no.	Qty	Description
1	32401036	1	FILTER 32400271 POLY CL M IVT/IVB 2000
3	32400591	1	FILTER.KIT CLASS M IVT 2000 B

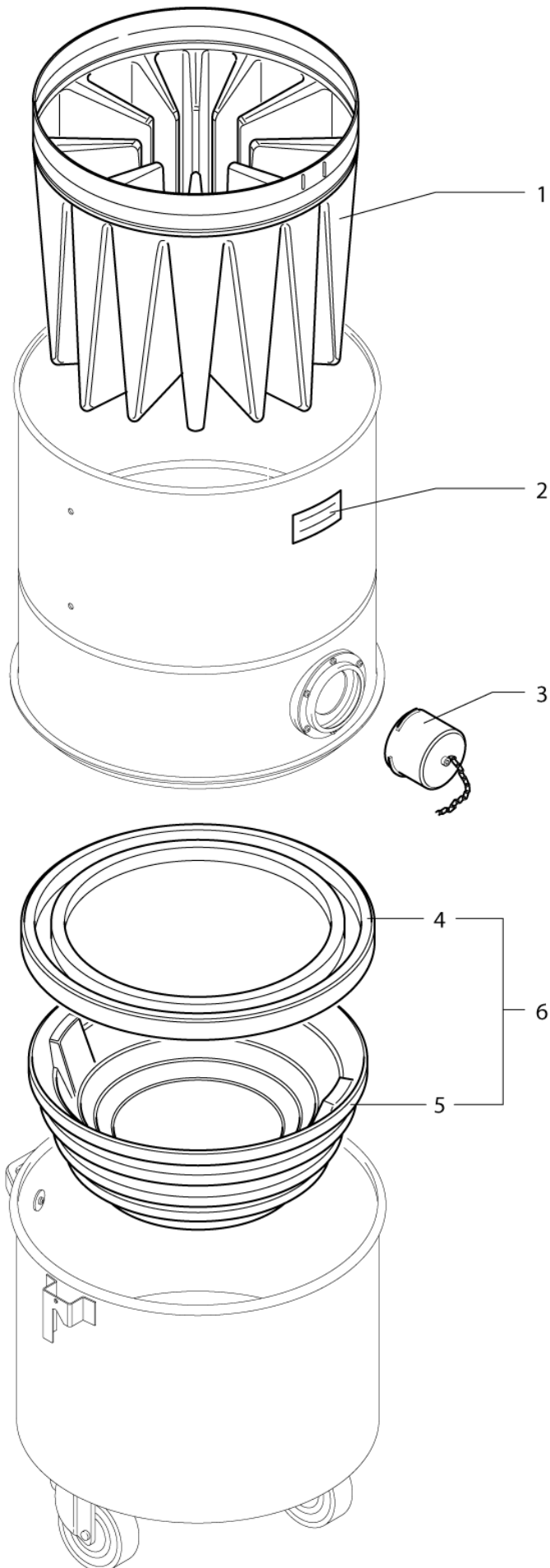
# Class M. IVT 2000S-IVB 2000S

IVB 2000 S

04-02-2015

Part List ID  
G216319

19



# Class M. IVT 2000S-IVB 2000S

IVB 2000 S

04-02-2015

Part List ID

G216319

20

Pos	Part no.	Qty	Description
1	32401036	1	FILTER 32400271 POLY CL M IVT/IVB 2000
2	32400962	1	DECAL.NILFISK IVB 2000 S IVB 2000 S
2	32400963	1	DECAL.NILFISK IVT 2000 S IVT 2000 S
2	32400964	1	DECAL.NILFISK IVT 2000 B IVT 2000 B
3	Z8 31221	1	CONTAINER GRID D460 ZINC
4	L04003200	1	BLIND SHUTTER Ø 50 MM
5	32400595	1	SAFE BAG.KIT IVT 2000 B
6	32400159	1	CONTAINERS.ABS KIT
7	32400592	1	FILTER.KIT CLASS M IVT/IVB 2000 S

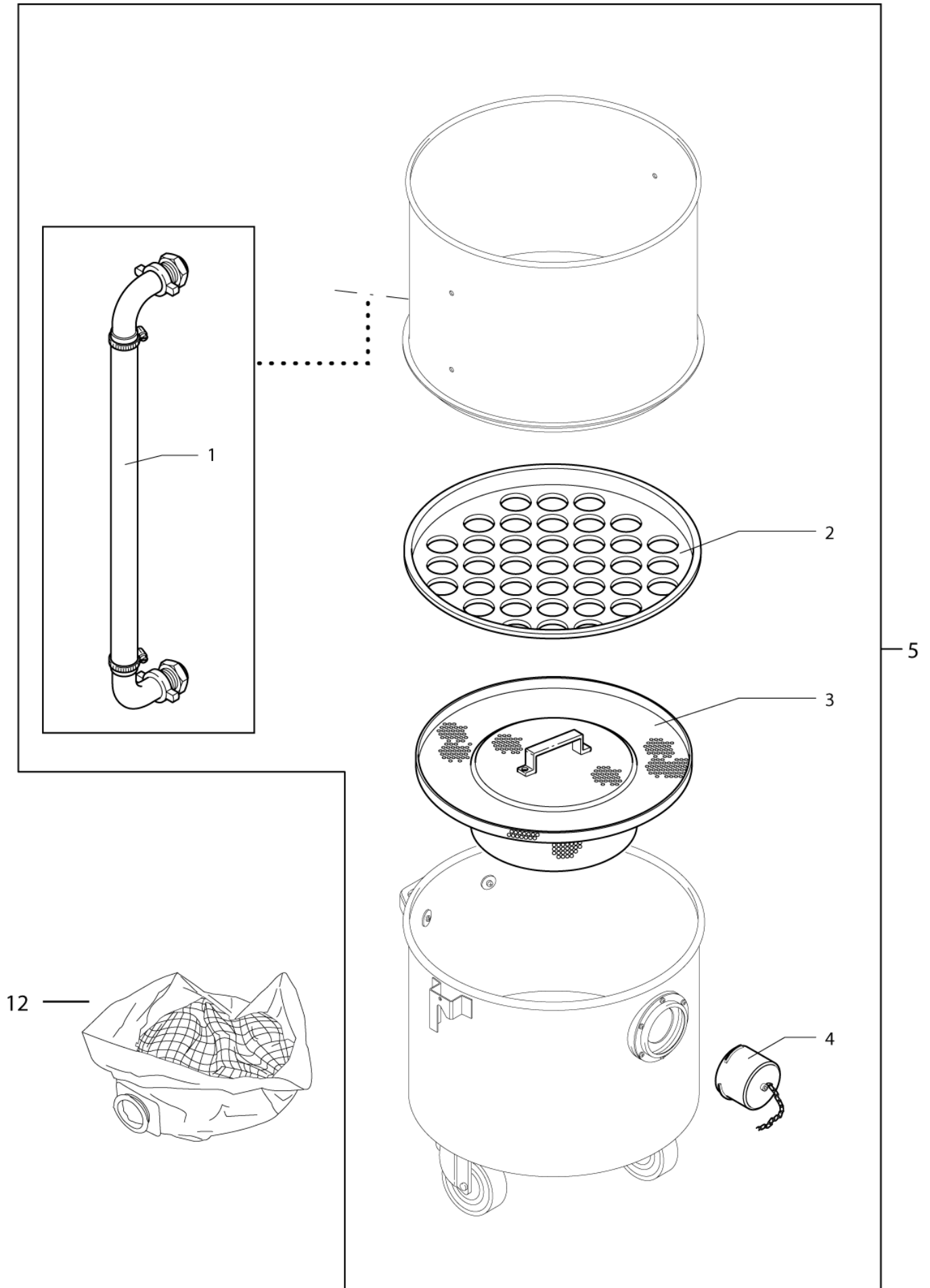
# Safe bag system IVT 2000B

IVB 2000 S

04-02-2015

Part List ID G216321

21



# Safe bag system IVT 2000B

IVB 2000 S

04-02-2015

Part List ID  
G216321

22

Pos	Part no.	Qty	Description
1	32400659	1	PIPE DEPRESSOR
2	32400269	1	GRILL.UPPER
3	Z8 31221	1	CONTAINER GRID D460 ZINC
4	L04003200	1	BLIND SHUTTER Ø 50 MM
5	32400595	1	SAFE BAG.KIT IVT 2000 B
12	L03034000	1	DUST SAFE BAG SYSTEM 1PC

# Safe bag system. IVT 2000S-IVB 2000S

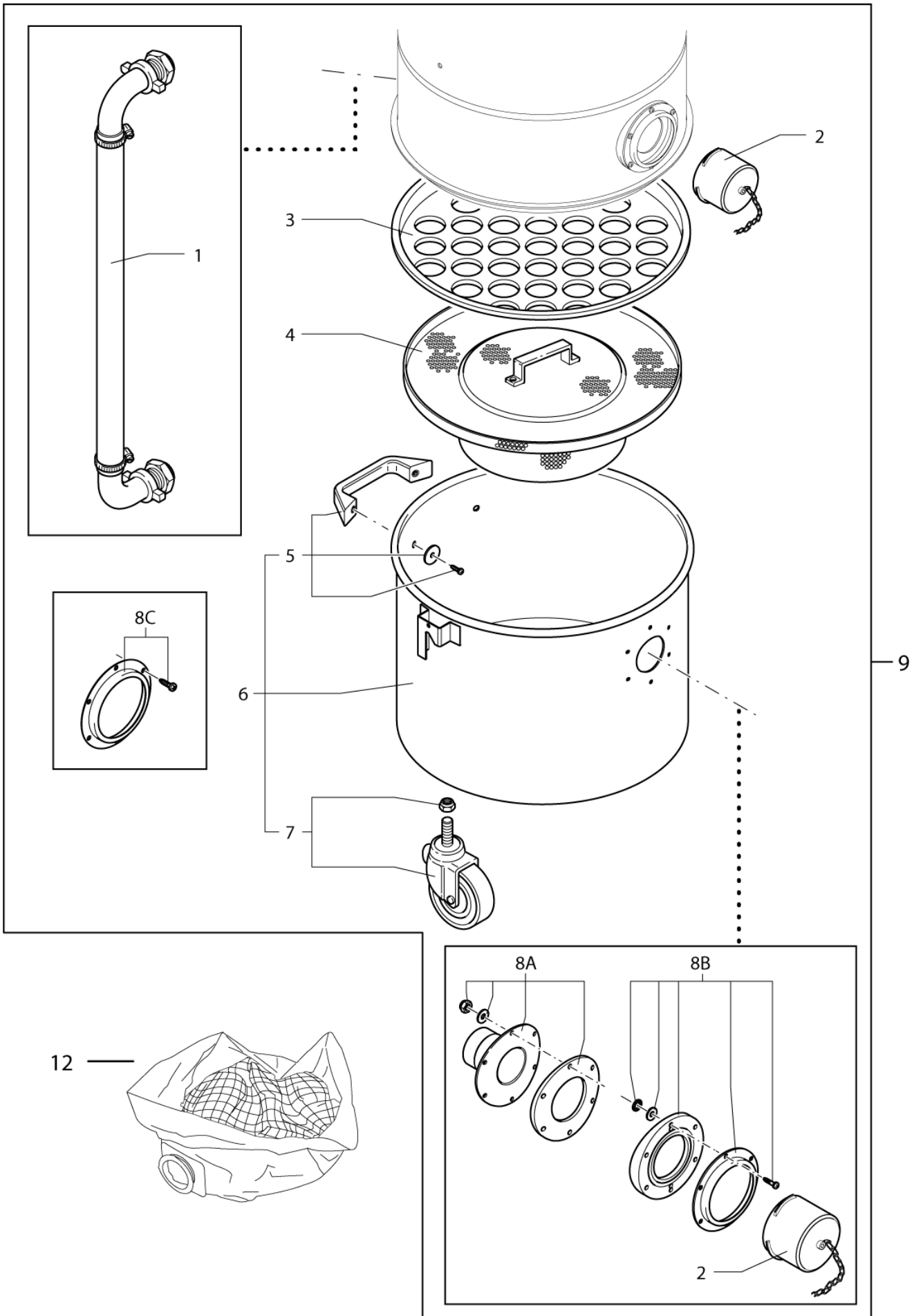
IVB 2000 S

04-02-2015

Part List ID

G216323

23



# Safe bag system. IVT 2000S-IVB 2000S

IVB 2000 S

04-02-2015

Part List ID  
Gz216323

24

Pos	Part no.	Qty	Description
1	32400659	1	PIPE DEPRESSOR
2	L04003200	2	BLIND SHUTTER Ø 50 MM
3	32400269	1	GRILL.UPPER
4	Z8 31221	1	CONTAINER GRID D460 ZINC
5	32400333	1	HANDLE.KIT FOR CONTAINER
6	32400918	1	CONTAINER.KIT COMPLETE IVT 2000 B KIT
7	32400332	3	WHEELS.CONTAINER COMPLETE IV022/040
9	32400596	1	SAFE BAG.KIT IVT/IVB 2000 S
12	L03034000	1	DUST SAFE BAG SYSTEM 1PC
8A	32401047	1	BAG CONNECTOR KIT STD.
8B	32401048	1	INLET.FOR KIT 32400596 32400603-32400604
8C	32401049	1	BAYONET.FOR KIT 32400956



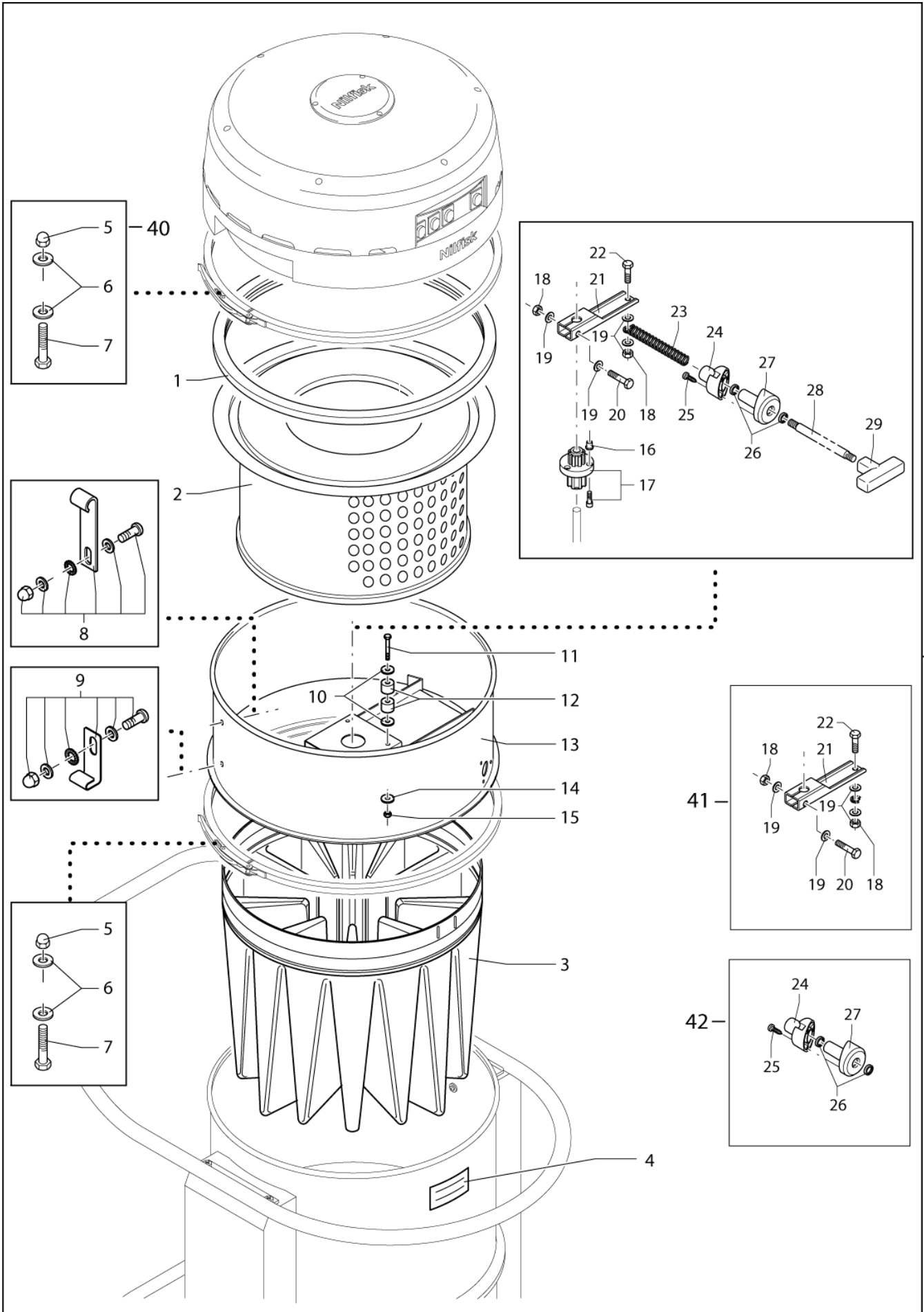
# Class H. IVT 2000B

IVB 2000 S

04-02-2015

Part List ID  
G216325

25



30

41

42

# Class H. IVT 2000B

IVB 2000 S

04-02-2015

Part List ID  
G216325

26

Pos	Part no.	Qty	Description
1	32400060	1	GASKET.FOR RING D.460
2	32400314	1	FILTER. ABSOLUTE
3	32401036	1	FILTER 32400271 POLY CL M IVT/IVB 2000
4	Z8 17552	1	LABEL CATEGORY H
8	32400917	1	PLATE NUT.FOR GROUNDING COMPLETE IVT/IVB
9	32401028	1	PLATE NUT.FOR GROUNDING COMPLETE IVT/IVB
13	32400714	1	LATERAL.D460
23	32400658	1	SPRING.FILTER SHAKER
28	32400662	1	ROD.FILTER SHAKER
29	Z8 40027	1	KNOB D70 M12 NO HOLE
30	32400599	1	FILTER.KIT CLASS H IVT 2000 B
40	32401098	1	SAFETY BOLT COMPLETE H CLASS IVT/IVB
41	32401044	1	LEVER.FOR MOVING KIT COMPL.IVT/IVB
42	32401088	1	BUSH COMPL.FOR FILTERSHAKER

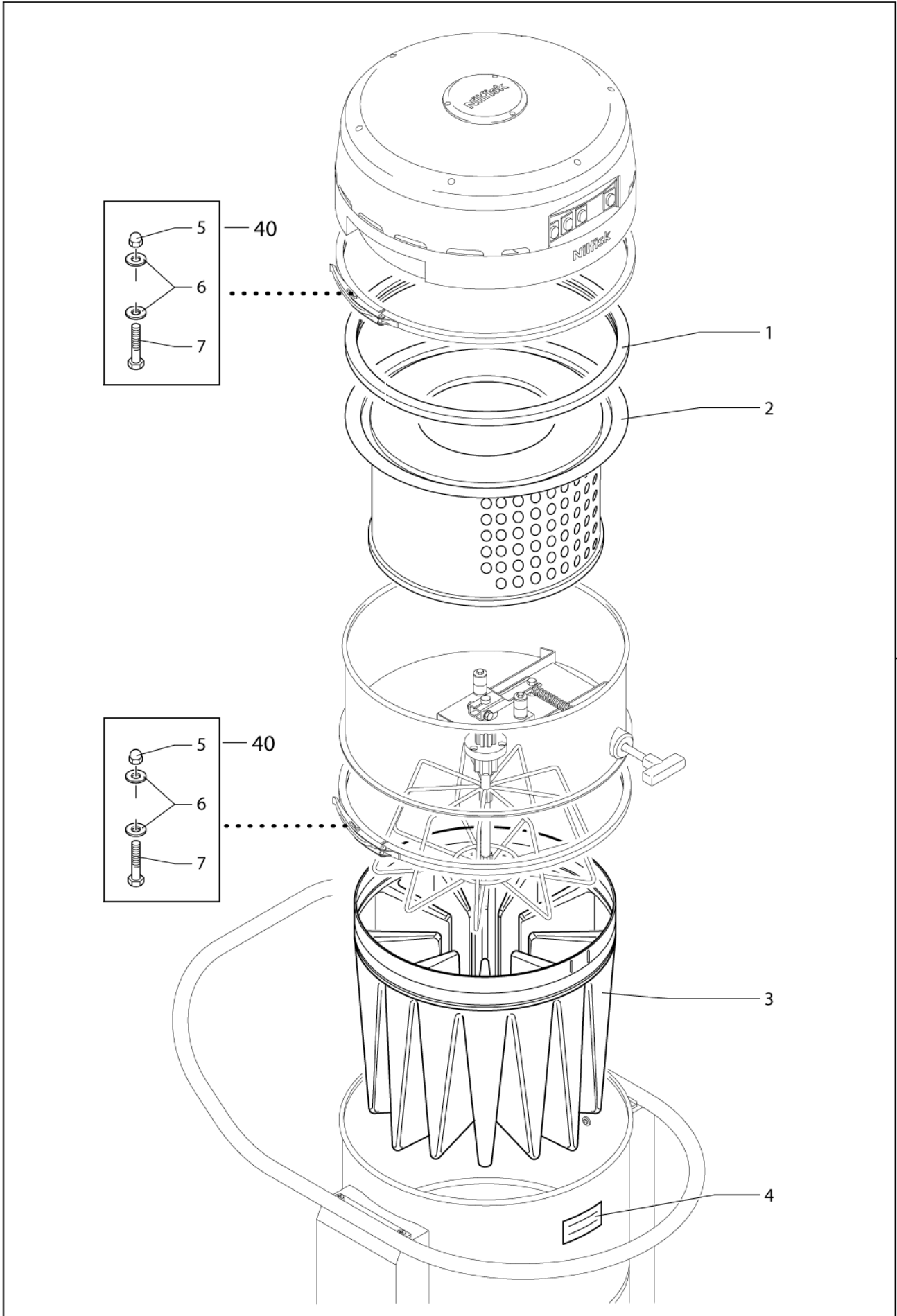
# Class H. IVT 2000S-IVB 2000B

IVB 2000 S

04-02-2015

Part List ID  
G216327

27



# Class H. IVT 2000S-IVB 2000B

IVB 2000 S

04-02-2015

Part List ID  
G216327

28

Pos	Part no.	Qty	Description
1	32400060	1	GASKET.FOR RING D.460
2	32400314	1	FILTER. ABSOLUTE
3	32401036	1	FILTER 32400271 POLY CL M IVT/IVB 2000
4	Z8 17552	1	LABEL CATEGORY H
8	32400600	1	FILTER.KIT CLASS H IVT/IVB 2000 S
40	32401098	1	SAFETY BOLT COMPLETE H CLASS IVT/IVB

# Exhaust filter. IVT 2000B and IVT 2000S

IVB 2000 S

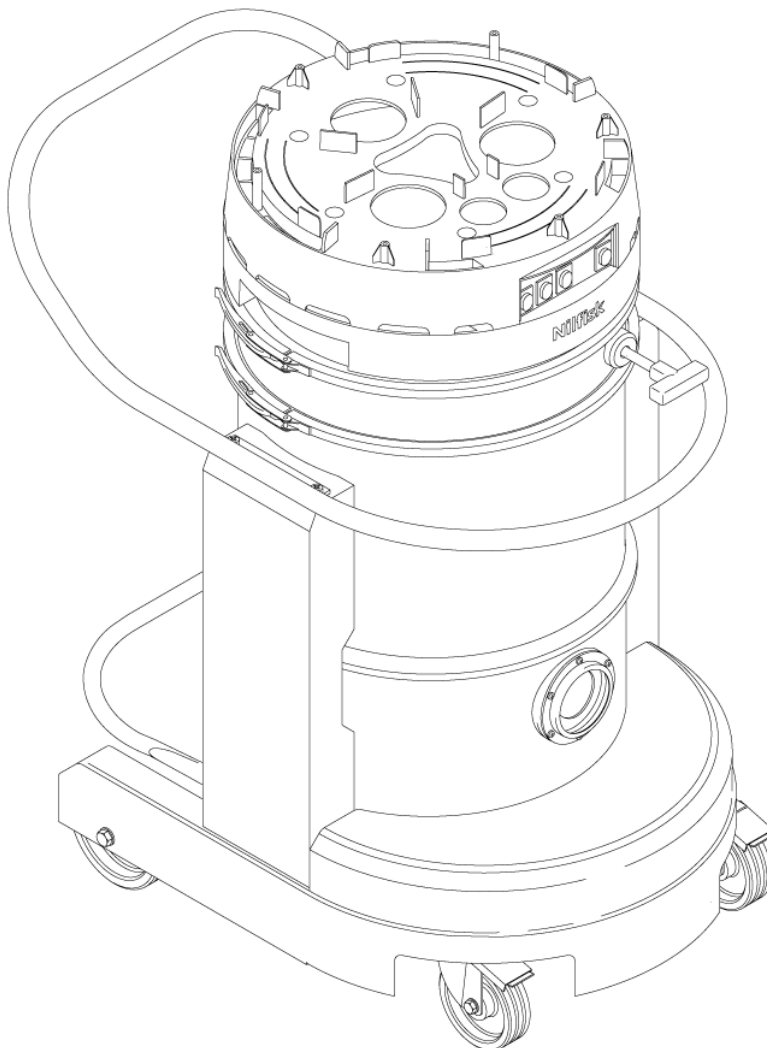
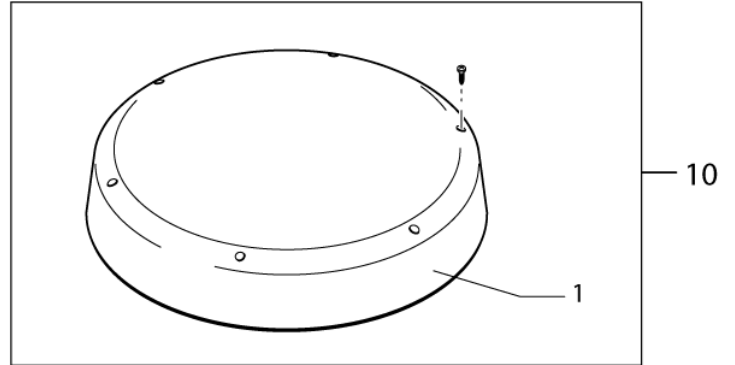
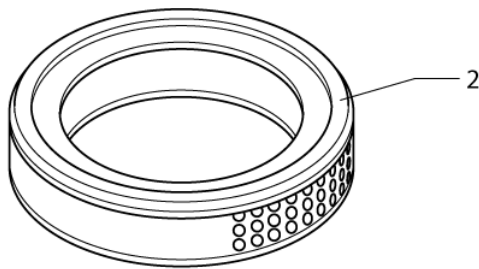
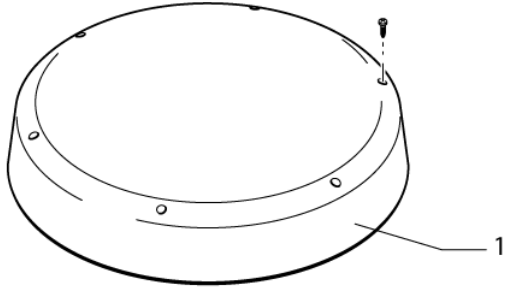
04-02-2015

Part List ID

G216329

29

ONLY FOR IVT-MODELS



# Exhaust filter. IVT 2000B and IVT 2000S

IVB 2000 S

04-02-2015

Part List ID

G216329

30

Pos	Part no.	Qty	Description
3	32400313	1	FILTER.ABSOLUTE W/O HOLE
4	32400602	1	FILTER.KIT EXHAUST IVT 2000-3000 B/S
10	32401091	1	COVER COMPLETE IVT
10	32401095	1	COVER COMPLETE IVB

# Dust bag system. IVT 2000S-IVB 2000S

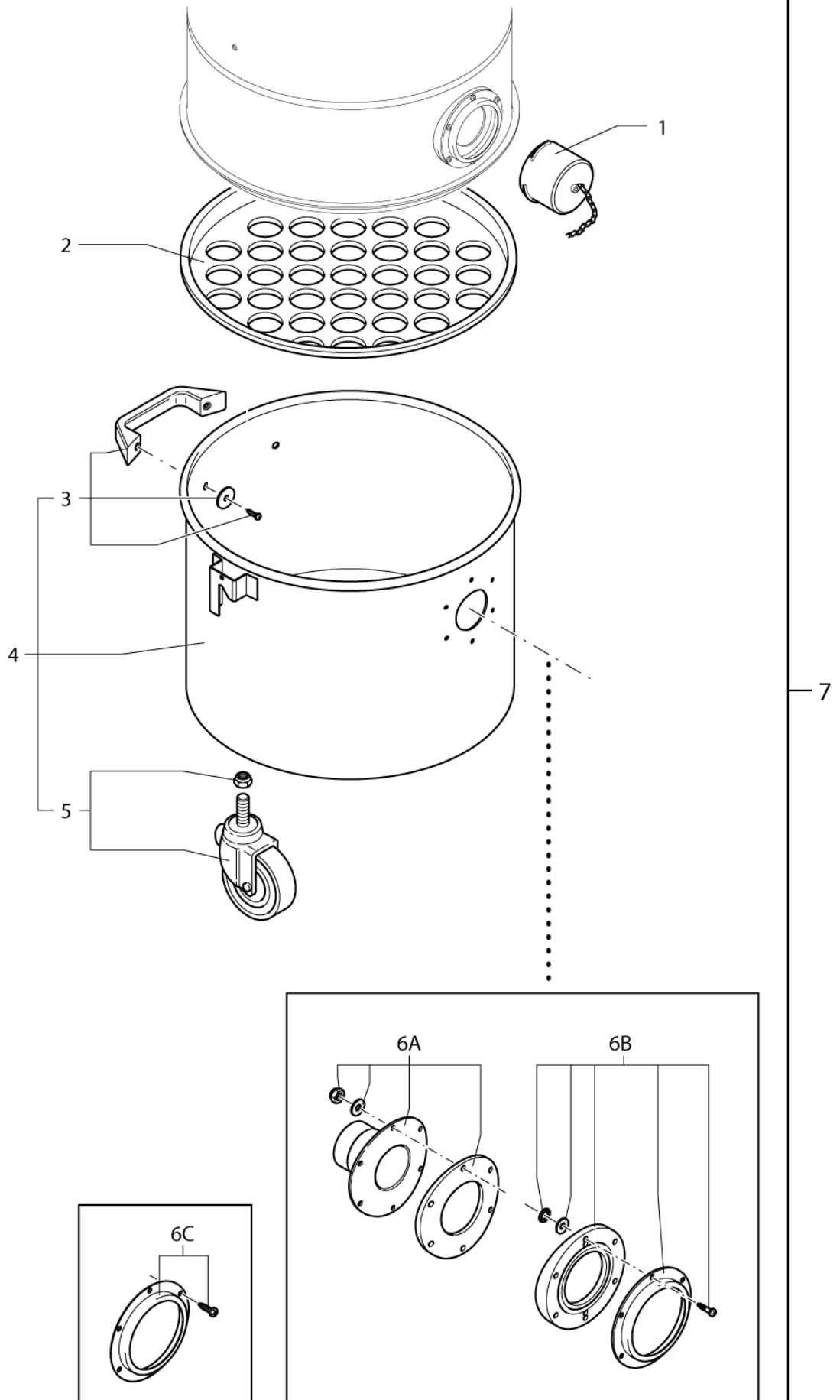
IVB 2000 S

04-02-2015

Part List ID

G216331

31



# Dust bag system. IVT 2000S-IVB 2000S

IVB 2000 S

04-02-2015

Part List ID

G216331

32

Pos	Part no.	Qty	Description
1	L04003200	1	BLIND SHUTTER Ø 50 MM
2	32400269	1	GRILL.UPPER
3	32400333	1	HANDLE.KIT FOR CONTAINER
4	32400918	1	CONTAINER.KIT COMPLETE IVT 2000 B KIT
5	32400332	3	WHEELS.CONTAINER COMPLETE IV022/040
7	32400603	1	DUST BAG.KIT IVT/IVB 2000 S
6A	32401047	1	BAG CONNECTOR KIT STD.
6B	32401048	1	INLET.FOR KIT 32400596 32400603-32400604
6C	32401049	1	BAYONET.FOR KIT 32400956



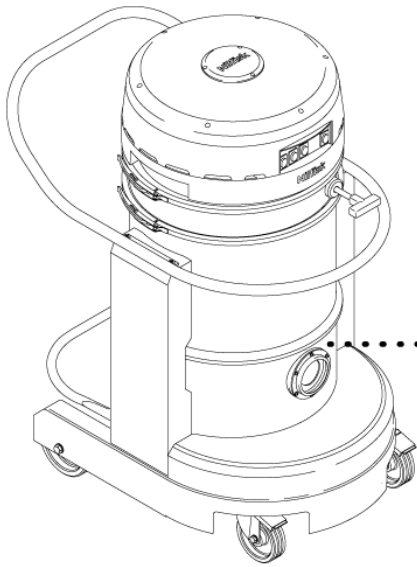
# S.S.Container. IVT 2000B

IVB 2000 S

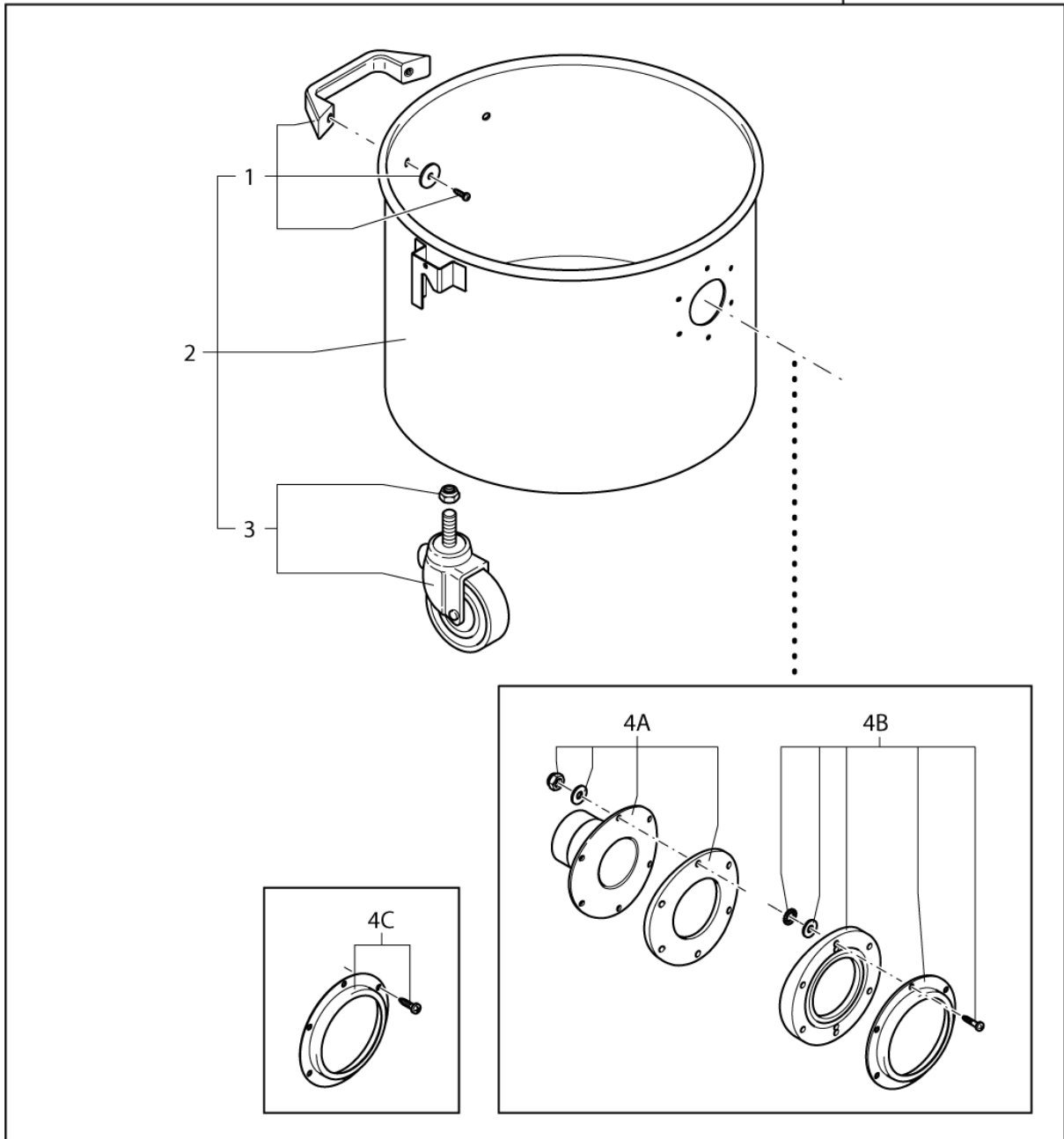
04-02-2015

Part List ID  
G216333

33



5



# S.S.Container. IVT 2000B

IVB 2000 S

04-02-2015

Part List ID  
G216333

34

Pos	Part no.	Qty	Description
1	32400333	1	HANDLE.KIT FOR CONTAINER
2	32401052	1	CONTAINER.FOR S.S. CONTAINER KIT
3	32400332	3	WHEELS.CONTAINER COMPLETE IV022/040
5	32400604	1	STAINLESS STEEL.KIT IVT 2000 B
4A	32401047	1	BAG CONNECTOR KIT STD.
4B	32401048	1	INLET.FOR KIT 32400596 32400603-32400604
4C	32401049	1	BAYONET.FOR KIT 32400956

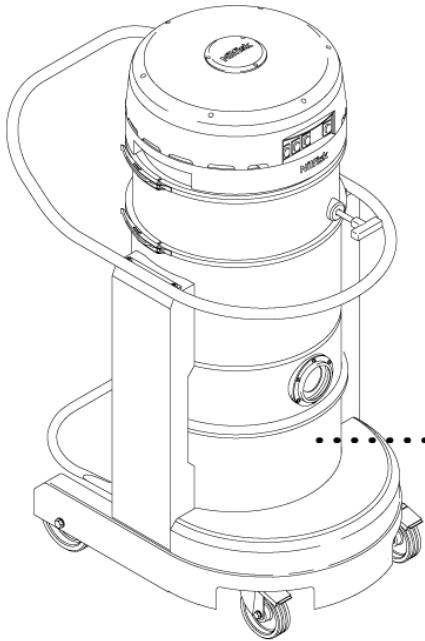
# S.S.Container. IVT 2000S-IVB 2000S

IVB 2000 S

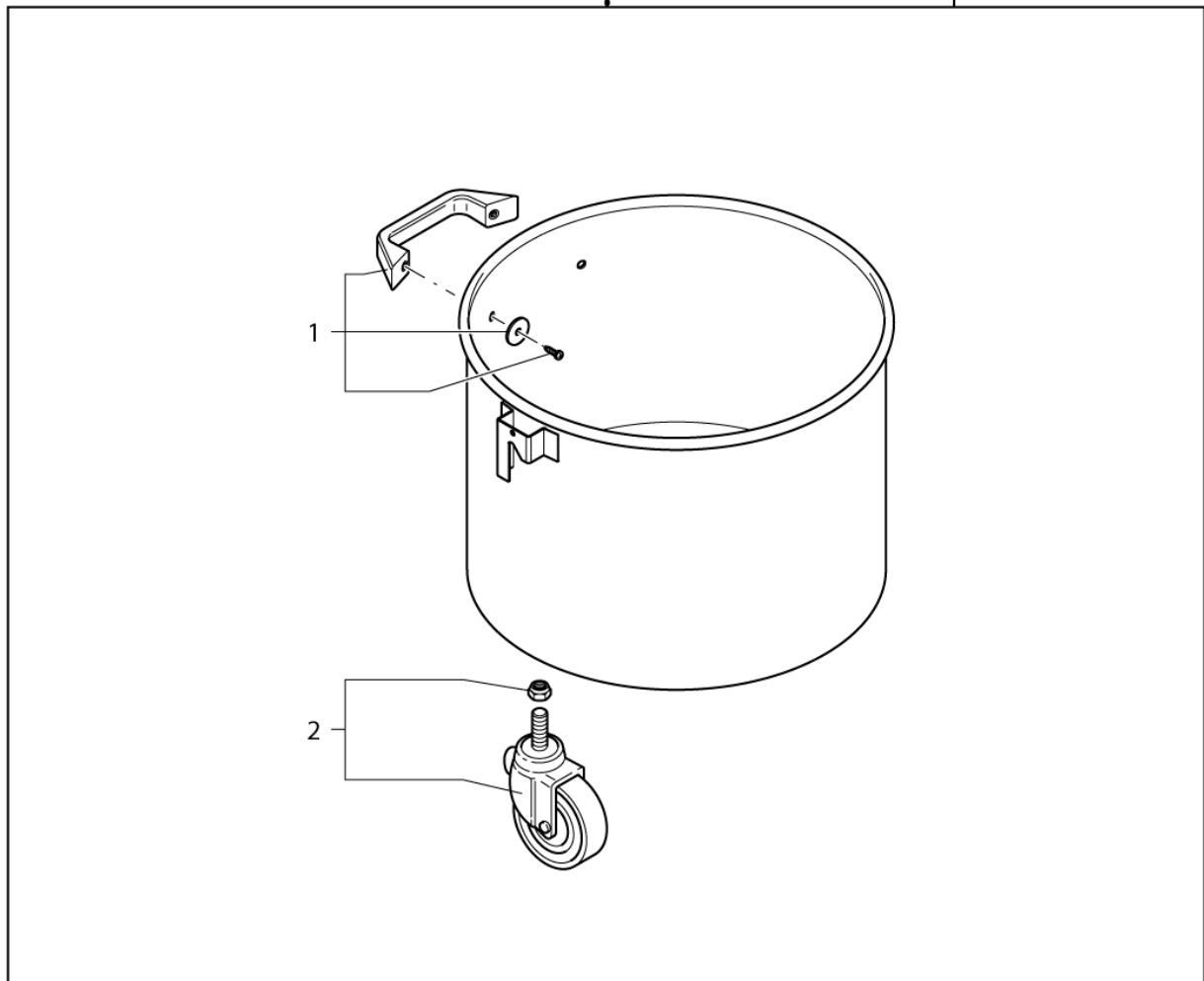
04-02-2015

Part List ID  
G216335

35



3



# S.S.Container. IVT 2000S-IVB 2000S

IVB 2000 S

04-02-2015

Part List ID  
G216335

36

Pos	Part no.	Qty	Description
1	32400333	2	HANDLE.KIT FOR CONTAINER
2	32400332	3	WHEELS.CONTAINER COMPLETE IV022/040
3	32400605	1	STAINLESS STEEL.KIT IVT/IVB 2000 S

# Plastic bag system. IVT 2000S-IVB 2000S

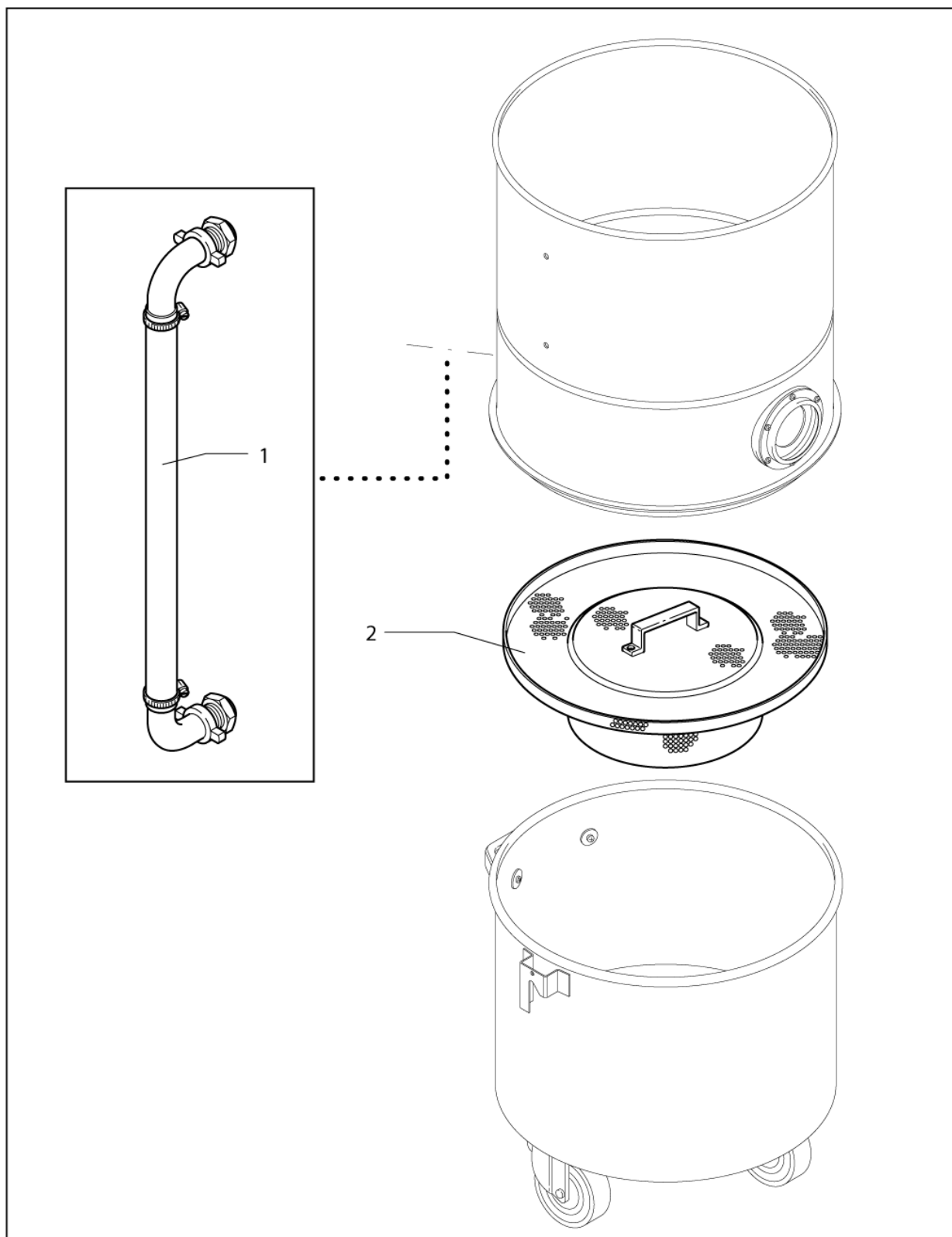
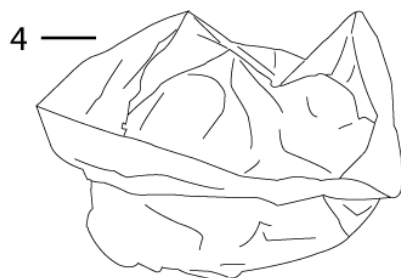
IVB 2000 S

04-02-2015

Part List ID

G216337

37



# Plastic bag system. IVT 2000S-IVB 2000S

IVB 2000 S

04-02-2015

Part List ID  
G216337

38

Pos	Part no.	Qty	Description
1	32400659	1	PIPE DEPRESSOR
2	Z8 31221	1	CONTAINER GRID D460 ZINC
3	32400612	1	PLASTIC BAG.KIT IVT/IVB 2000 S
4	82366400	1	PLASTIC BAGS KLAR 5PCS
4	82366500	1	PLASTIC BAGS BLUE 5PCS
4	82366600	1	PLASTIC BAGS RED 5PCS

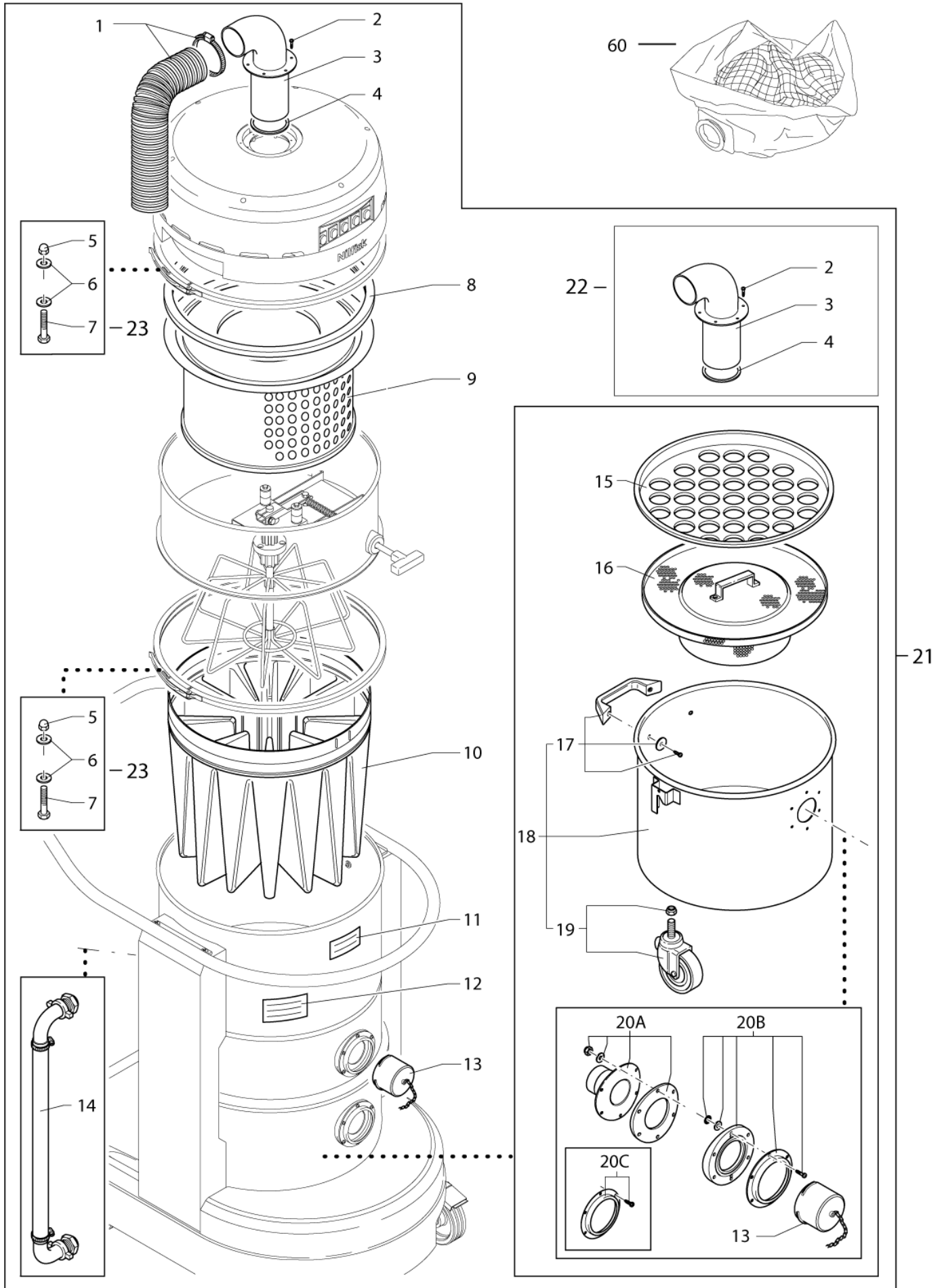
# Asbestos. IVB2000S

IVB 2000 S

04-02-2015

Part List ID  
G216339

39



# Asbestos. IVB2000S

IVB 2000 S

04-02-2015

Part List ID  
G216339

40

Pos	Part no.	Qty	Description
1	32401056	1	HOSE. FOR BLOWING KIT 32400614
8	32400060	1	GASKET.FOR RING D.460
9	32400314	1	FILTER. ABSOLUTE
10	32401036	1	FILTER 32400271 POLY CL M IVT/IVB 2000
11	Z8 17552	1	LABEL CATEGORY H
12	Z8 17573	1	ABSESTOS LABEL KIT
13	L04003200	2	BLIND SHUTTER Ø 50 MM
14	32400659	1	PIPE DEPRESSOR
15	32400269	1	GRILL.UPPER
16	Z8 31221	1	CONTAINER GRID D460 ZINC
17	32400333	1	HANDLE.KIT FOR CONTAINER
18	32400918	1	CONTAINER.KIT COMPLETE IVT 2000 B KIT
19	32400332	3	WHEELS.CONTAINER COMPLETE IV022/040
21	32400614	1	ASBESTOS.KIT IVB 2000 S
22	32401099	1	CONNECTOR COMPL. IVB 2000/3000 ASBESTOS
23	32401098	1	SAFETY BOLT COMPLETE H CLASS IVT/IVB
60	L03034000	1	DUST SAFE BAG SYSTEM 1PC
20A	32401047	1	BAG CONNECTOR KIT STD.
20B	32401048	1	INLET.FOR KIT 32400596 32400603-32400604
20C	32401049	1	BAYONET.FOR KIT 32400956



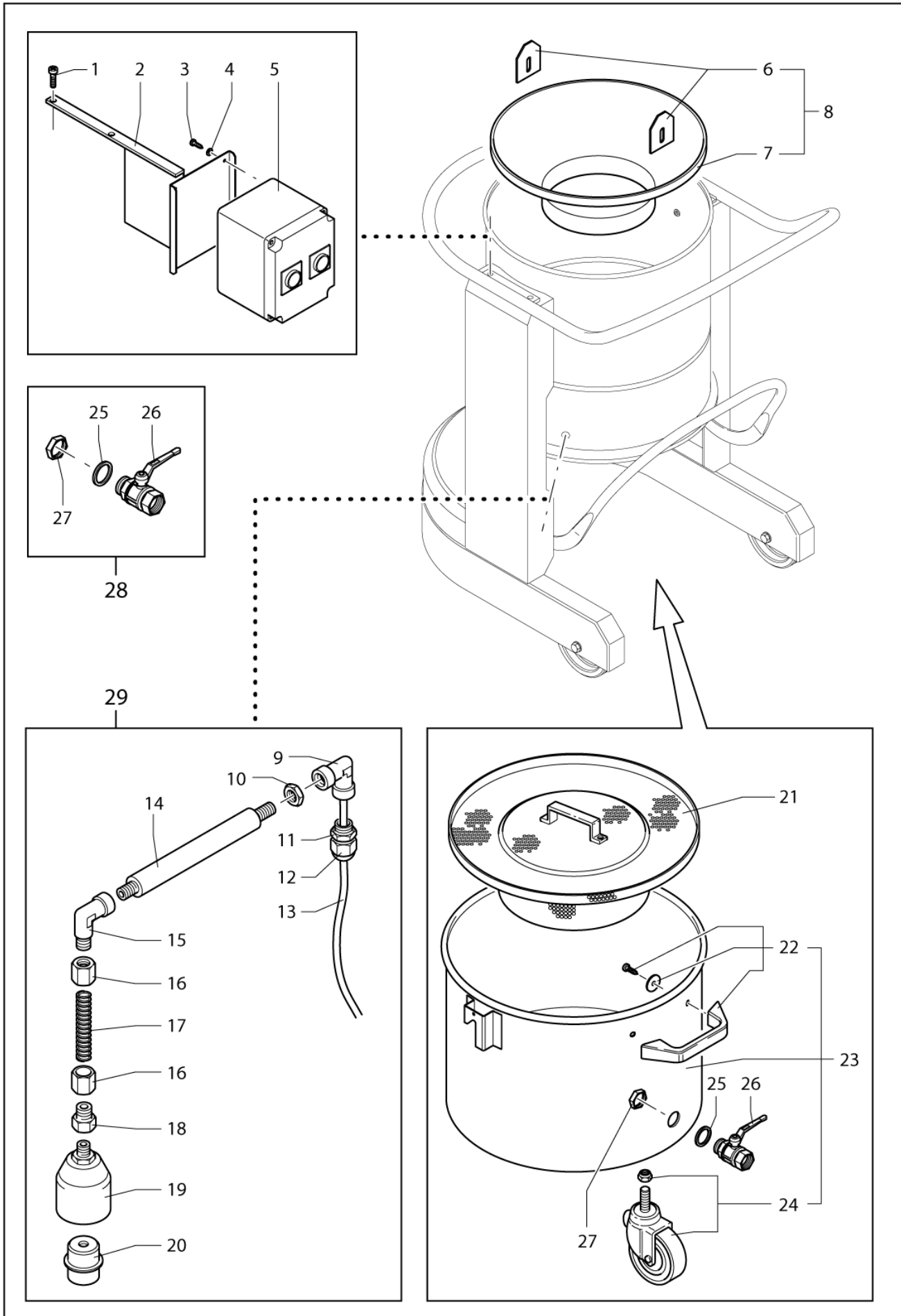
# 230V Liqued system. IVB 2000S

IVB 2000 S

04-02-2015

Part List ID  
G216341

41



# 230V Liqued system. IVB 2000S

IVB 2000 S

04-02-2015

Part List ID

G216341

42

Pos	Part no.	Qty	Description
5	32400765	1	ELECTRICAL BOARD 230 V LIQUID KIT
8	32401057	1	D.460 SPLASH GUARD. LIQUID KIT IVB 2000
21	Z8 31250	1	CONTAINER GRID D460 INOX
22	32400333	2	HANDLE.KIT FOR CONTAINER
23	32401058	1	CONTAINER.KIT COMPLETE IVB 2000 S KIT
24	32400332	3	WHEELS.CONTAINER COMPLETE IV022/040
28	32400798	1	TAP.COMPLETE IV022/040
29	32401059	1	SENSOR.X LIQUID KIT COMPL IVB 2000 S KIT
30	32400616	1	LIQUID.KIT 230 V IVB 2000 S

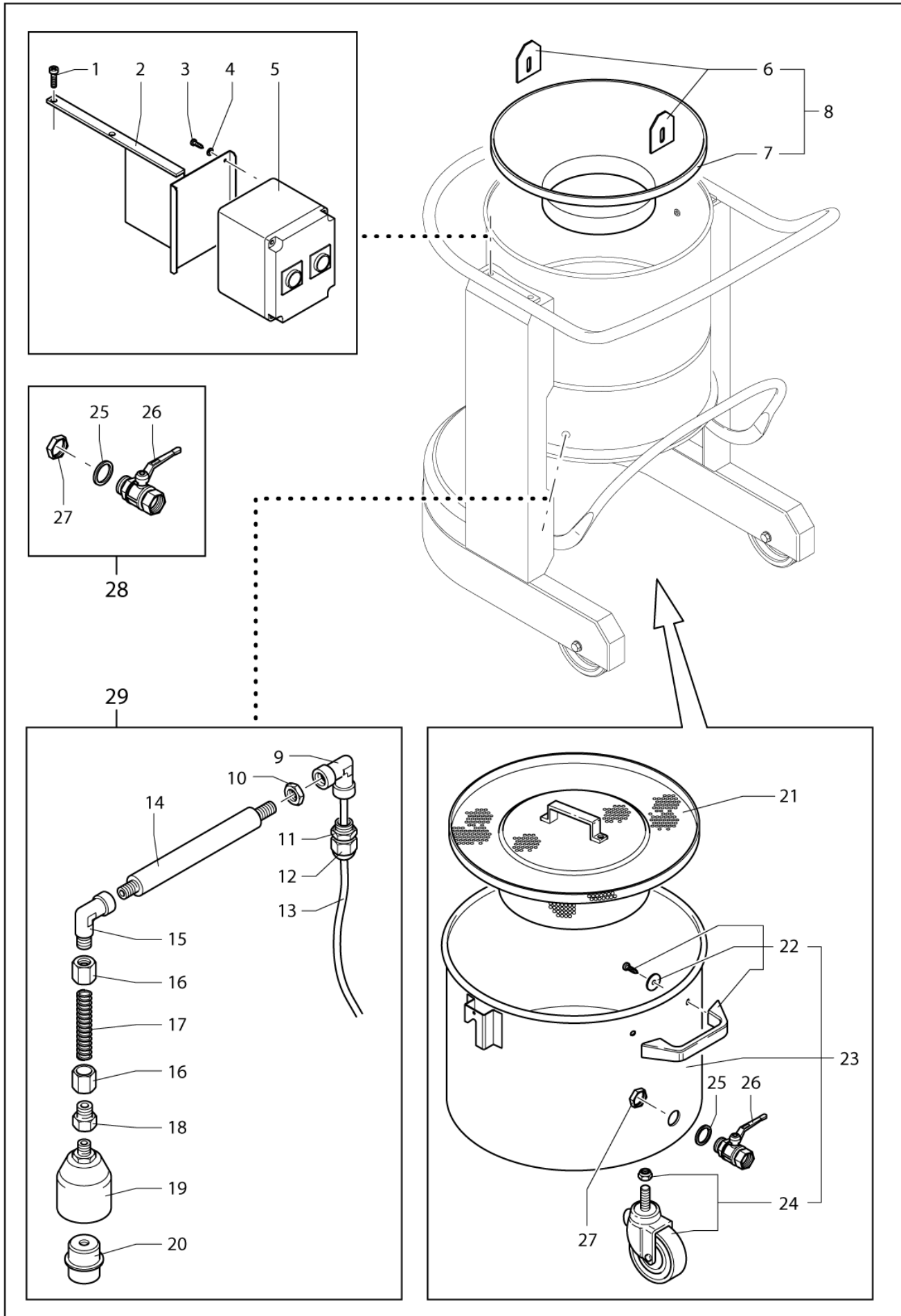
# 110V Luquid system. IVB 2000S

IVB 2000 S

04-02-2015

Part List ID  
G216343

43



# 110V Luquid system. IVB 2000S

IVB 2000 S

04-02-2015

Part List ID

G216343

44

Pos	Part no.	Qty	Description
5	32400770	1	ELECTRICAL BOARD 110 V LIQUID KIT
8	32401057	1	D.460 SPLASH GUARD. LIQUID KIT IVB 2000
21	Z8 31250	1	CONTAINER GRID D460 INOX
22	32400333	2	HANDLE.KIT FOR CONTAINER
23	32401058	1	CONTAINER.KIT COMPLETE IVB 2000 S KIT
24	32400332	3	WHEELS.CONTAINER COMPLETE IV022/040
28	32400798	1	TAP.COMPLETE IV022/040
29	32401062	1	SENSOR.X LIQUID KIT COMPL KIT
30	32400640	1	LIQUID.KIT 110V IVB 2000 S

# Steel basket system. IVT 2000S-IVT 2000B-IVB 20

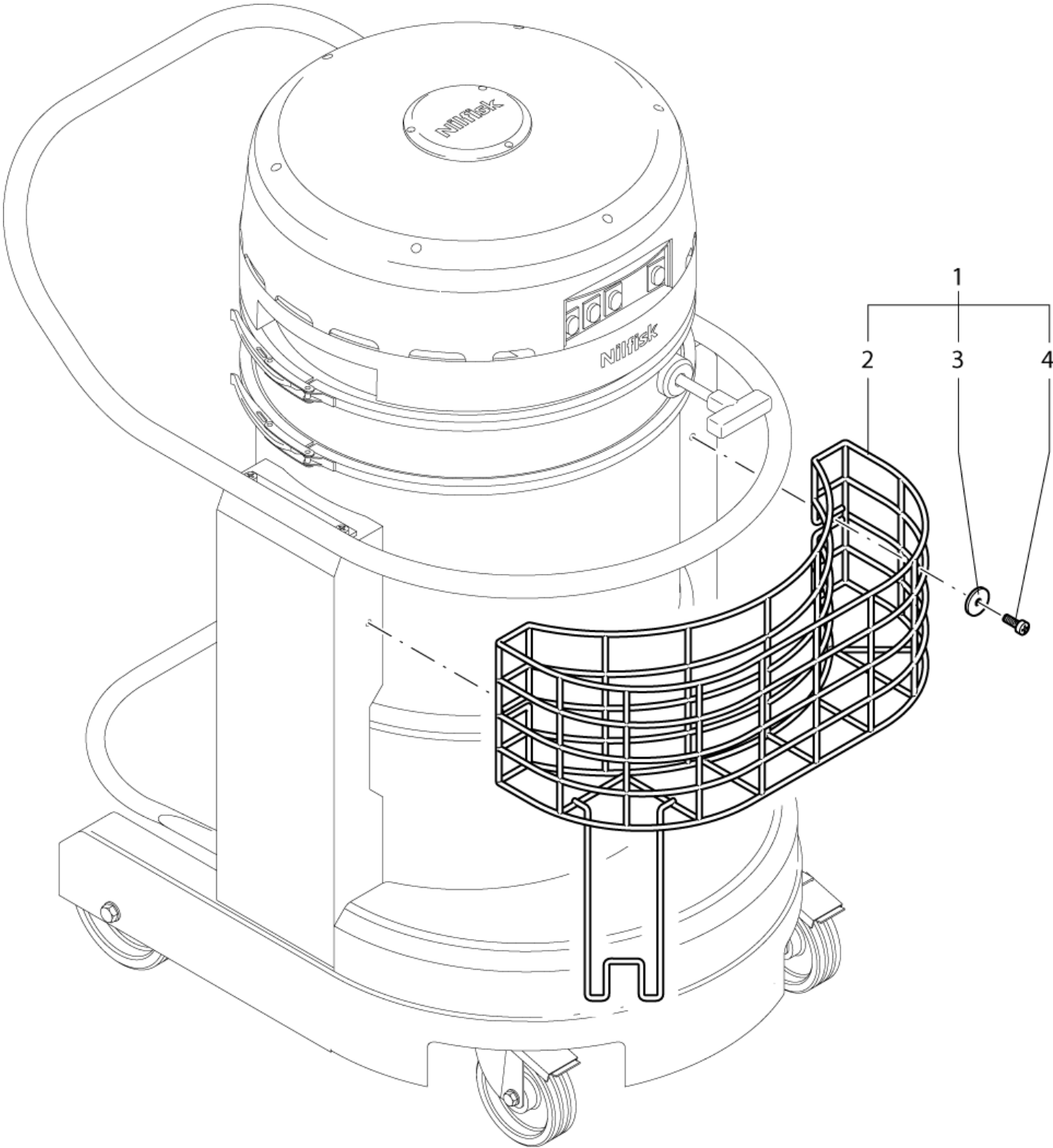
IVB 2000 S

04-02-2015

Part List ID

G216345

45



# Steel basket system. IVT 2000S-IVT 2000B-IVB 2

IVB 2000 S

04-02-2015

Part List ID

G216345

46

Pos	Part no.	Qty	Description
1	32400818	1	TOOL BASKET IVT/IVB 2000 B/S
2	32400821	1	CONTAINER.D.460 FOR ACCESSORIES

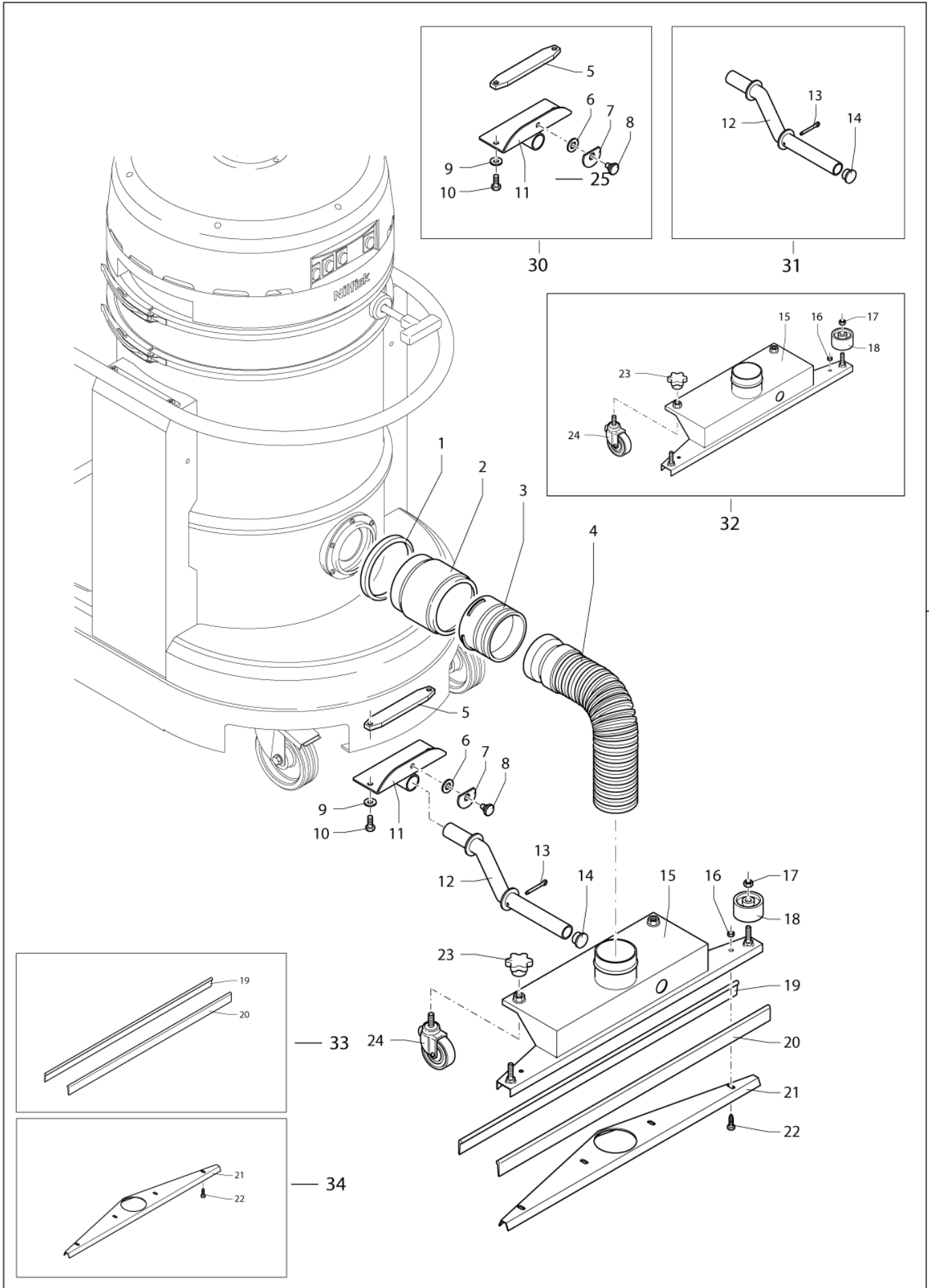
# Fixed floor nozzle. IVT 2000B

IVB 2000 S

04-02-2015

Part List ID  
G216347

47



# Fixed floor nozzle. IVT 2000B

IVB 2000 S

04-02-2015

Part List ID

G216347

48

Pos	Part no.	Qty	Description
1	22344200	1	SLEEVE
2	22344200	1	SLEEVE
3	22344200	1	SLEEVE
4	61732900	1	HOSE FRONT-MOUNT 570MM
5	32400839	1	PLATE.X STOPPING SUCTION CAP
24	Z8 40018	2	PIVOTING WHEEL D50 M10 GREY
25	32400820	1	FIXED FLOOR NOZZLE KIT 600 MM IVT
30	32401100	1	FIXING PLATE COMPL. FOR NOZZLE IVT/IVB
31	32401101	1	AXEL FOR FIXED FLOOR NOZZLE COMPLETE
32	32401102	1	TROLLEY COMPL.FIXED FLOOR NOZZLE IVT/IVB
33	32401103	1	SET OF RUBBER BLADES COMPL.FIXED FLOOR
34	32401104	1	RUBBERSTOP COMPL.FIXED FLOOR NOZZLE