

A 500 STD/ATEX

Model:
A 500



Part List US-English

30-07-2013

Table of Contents

A 500 STD/ATEX

Container unit	3
Suction unit	5
Absolute filter	7

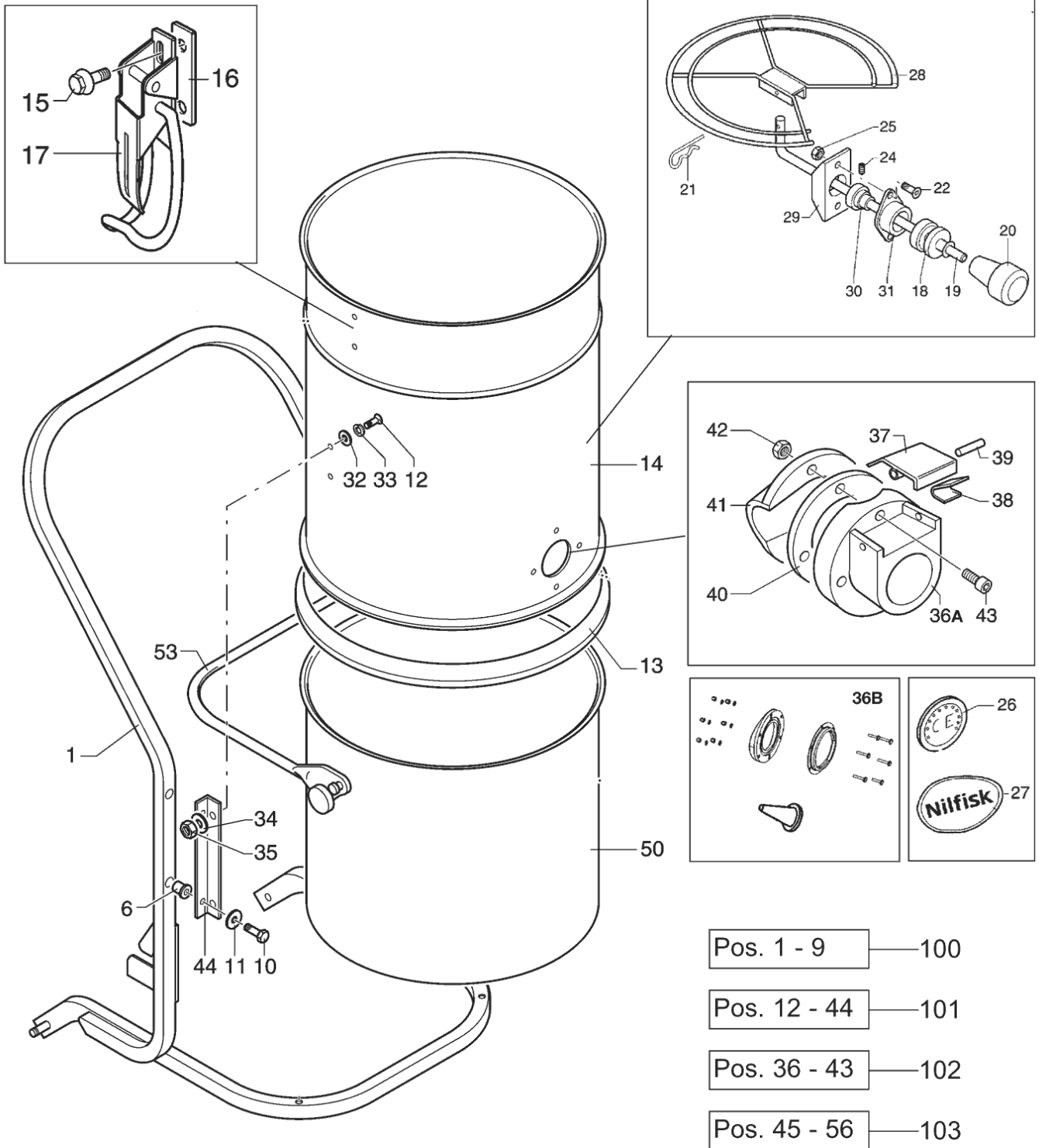
Container unit

A 500 STD/ATEX

30-07-2013

Part List ID
G12333

3

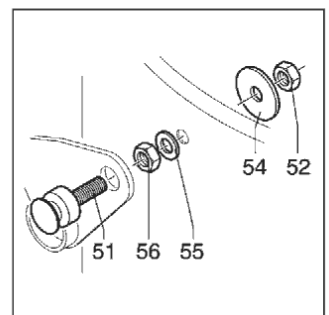
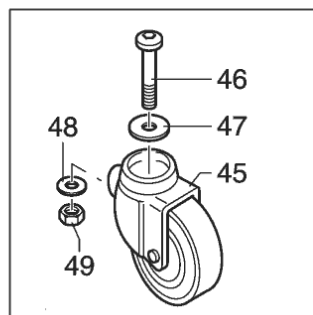
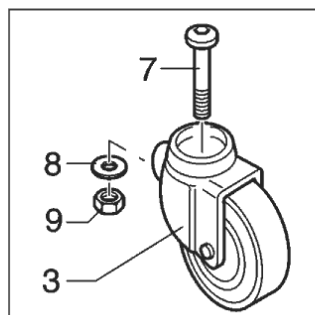
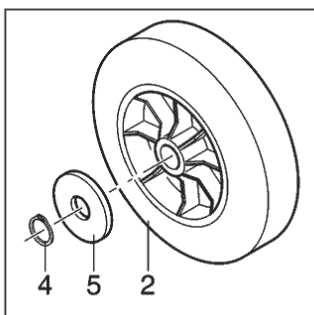


Pos. 1 - 9 — 100

Pos. 12 - 44 — 101

Pos. 36 - 43 — 102

Pos. 45 - 56 — 103



Container unit

A 500 STD/ATEX

30-07-2013

Part List ID
G12Z333

4

Pos	Part no.	Qty	Description
1	Z8 36481	1	WAGEN FOR MODEL 118
2	Z8 40261	2	FIXED WHEEL D150 F15 GREY MODEL
3	Z8 40263	2	CASTOR D80 M.118
6	Z8 38059	4	HEAD RIVER M6
13	Z8 17074	1	FILT.CHAMBER SEAL D360 BLACK
13	Z8 17226	1	SEAL SILICONE 3156
14	Z8 11110	1	FILTER HOUSING D360X450 A15
14	Z8 11111 7001	1	FILTER HOUSING D360X450 118 SS
16	Z8 18010	2	HOOK HOLDER PLATE
17	Z8 36028	2	CAP LEVER CLOSURE FE
17	Z8 36030	2	CAP LEVER CLOSURE INOX
18	Z8 40393	1	BELLOW RUBBER x FILTER SH.
19	Z8 33172	1	FILT.SHAKER ROD MOD.118
19	Z8 33221	1	ROD FOR FILTER SHAKER M. 118 I
20	Z8 40373	1	HANDGRIP D10 x FILTER SH.
21	Z8 38018	1	SPLIT PIN SHAPED D3
23	Z8 17739	1	LABEL A500 NILFISK
28	Z8 33171	1	FILT.TIGHTENING RING D360/460
28	Z8 33174	1	F.TIGHTENING RING M.137 INOX
29	Z8 15130	1	SUPPORT JOINT FILTER SHAKER
30	Z8 38015	1	BALL JOINT D30 FILTER SHAKER
30	Z8 38047	1	BALL JOINT D30 INOX SHAKER
31	Z8 15131	1	BELLOW HOLDER FILTER SHAKER
36	Z8 13171	1	INLET D50
37	Z8 32543	1	SS BUTTONFOR INLET D50
38	Z8 13010	1	SPRING INLET D50
39	Z8 38020	2	ELASTIC PIN 3X16
39	Z8 38021	2	ELASTIC PLUG 3X16 IN SS
40	Z8 17005	1	INLET SEAL D50
41	Z8 32314	1	DEFLECTOR D50 INOX
44	Z8 18918	2	BRACKET 118
45	Z8 40402	3	PIVOTING WHEEL D45 MODEL 127 WITH SHIM
50	Z8 30196 7001	1	CONTAINER D360x250RELEASE FE MOD. A15
50	Z8 30300	1	CONTAINER D360x250 INOX MOD. 118 RELEASE
51	Z8 14577	2	PIN M118
51	Z8 14579	2	PIN M118 SS
53	Z8 18920	1	RELEASE M.118
100	Z8 36336	1	CAR MOD.118 FE COMPL.
101	Z8 31665 7001	1	COMPLERE FILTER HOUSING M.A15
101	Z8 31666	1	FILTER HOUSING D360 IN SS A15
102	Z8 32332	1	INLET MOUNTED D50 NIPLOY
103	Z8 30250 7001	1	CONTAINER D360x250 FE COMPL. MOD. A15
103	Z8 30302	1	CONTAINER D360X250 INOX COMP MOD. 118

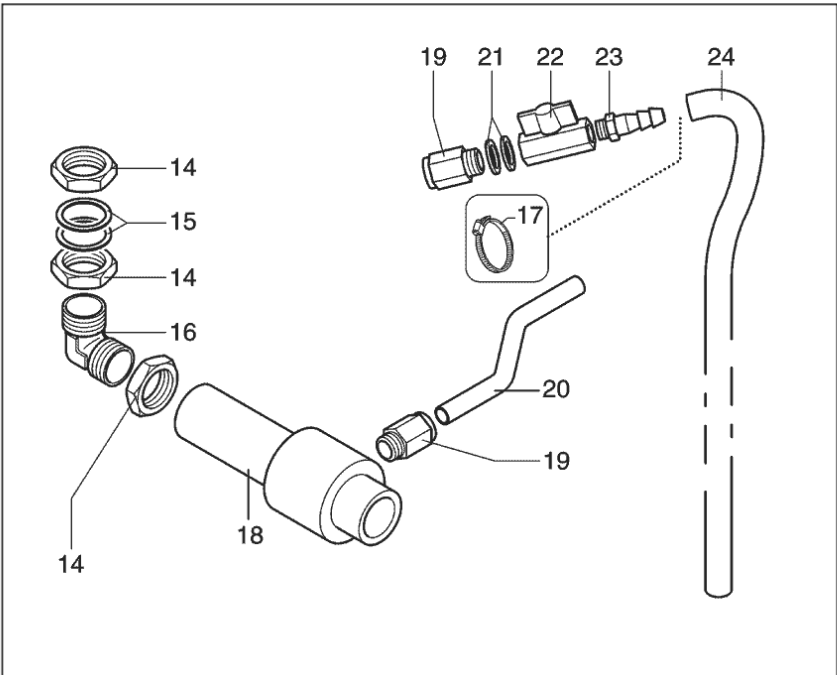
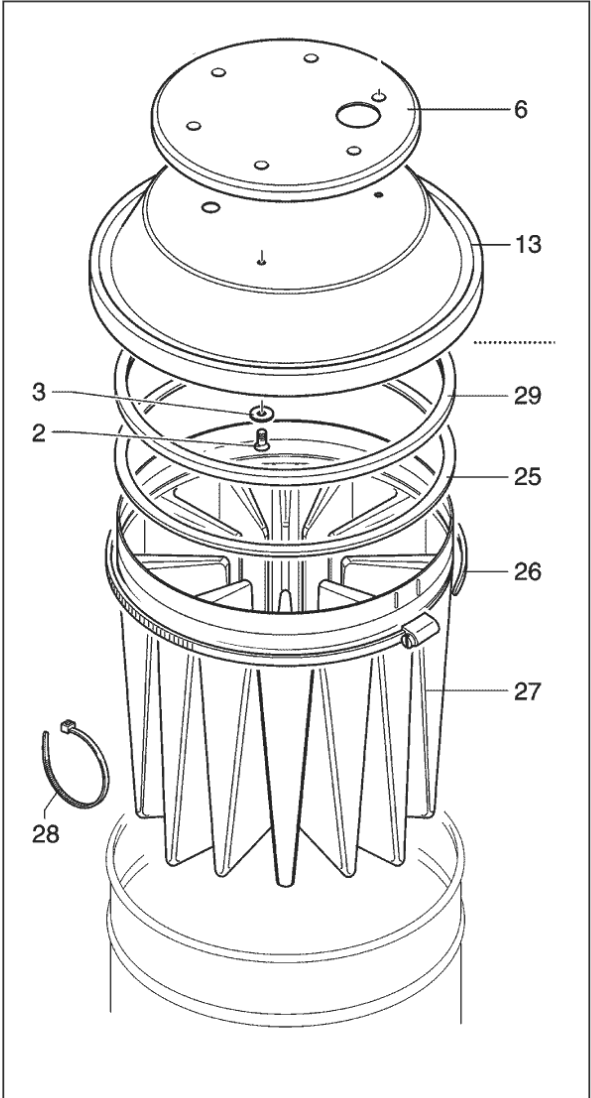
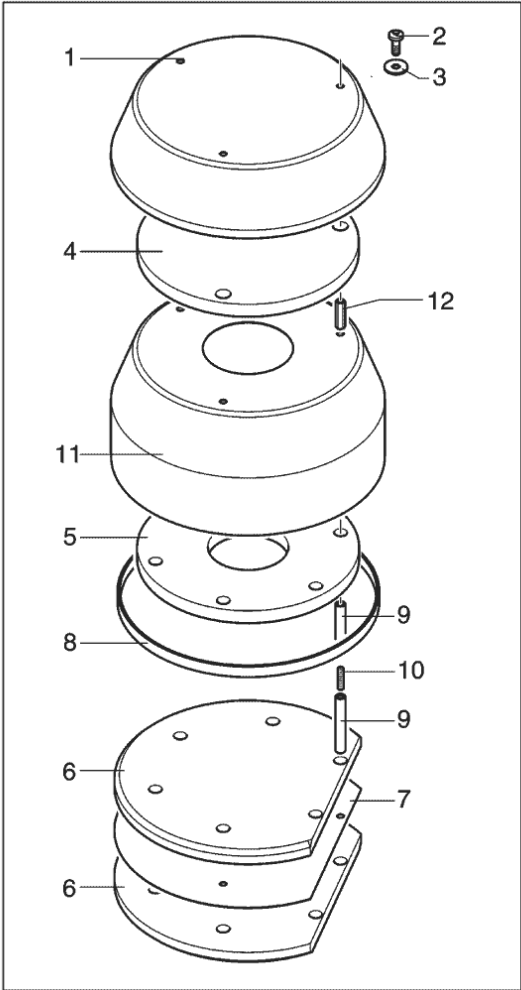
Suction unit

A 500 STD/ATEX

30-07-2013

Part List ID G12335

5



Pos. 4 - 6 — 100

Pos. 1 - 23 — 101

Pos. 25 - 29 — 102

Suction unit

A 500 STD/ATEX

30-07-2013

Part List ID
G12Z335

6

Pos	Part no.	Qty	Description
1	Z8 16338	1	DEFLECTOR A15
1	Z8 16345	1	DEFLECTOR A15 IN SS
7	Z8 16340	1	PARTITION
8	Z8 17084	1	PROFILE U SEAL
9	Z8 14270	6	SPACER D10 HEAD MOD137
11	Z8 16339 7001	1	SILENCER BODY A15
11	Z8 16346	1	SILENCER BODY A15 SS
12	Z8 14498	3	SPACER FOR COVER T37
13	Z8 12381	1	COVER A15
13	Z8 12384	1	COVER A15 IN SS
14	Z8 47113	2	RING
16	Z8 47112	1	ELBOW 1 M/M
17	Z8 40838	1	TIE D14-24 MOD.A15 CODE 7438 TYPE 2M
18	Z8 47099	1	VENTURIMETRO A15
19	Z8 47117	2	BENT 3/8 -12
20	Z8 24163	1	HOSE PU 9X12
22	Z8 47111	1	VALVE 3/8
23	Z8 40834	1	BRACKET 3/8
24	Z8 24164	1	TUBE FEEDER A15
25	Z8 15002	1	FILTER HOLDER RING D360 FE
25	Z8 15009	1	FILTER HOLDER RING D360 INOX
26	Z8 18078	1	FILTER BLOCK TIE D360
27	Z8 17140	1	STAR FILTER 360 ANTISTAT. COMPONENT ATEX
28	Z8 40053	4	TIE x FILTERS PVC 120x7.8
29	Z8 17025	1	FILTER SEAL D360 BLACK
29	Z8 17125	1	FILTER SEAL D360 SILIC.
100	Z8 17692	1	KIT SOUNDPROOF A15
101	4089100179	1	KIT COMPLETE HEAD M.A15 N/A
101	4089100180	1	KIT COMPLETE HEAD M.A15 SS
102	Z8 33156	1	FILTER COM.ST.D360 ANT.
102	Z8 33201	1	FILTER COM.ST.D360 ANT. SS

Absolute filter

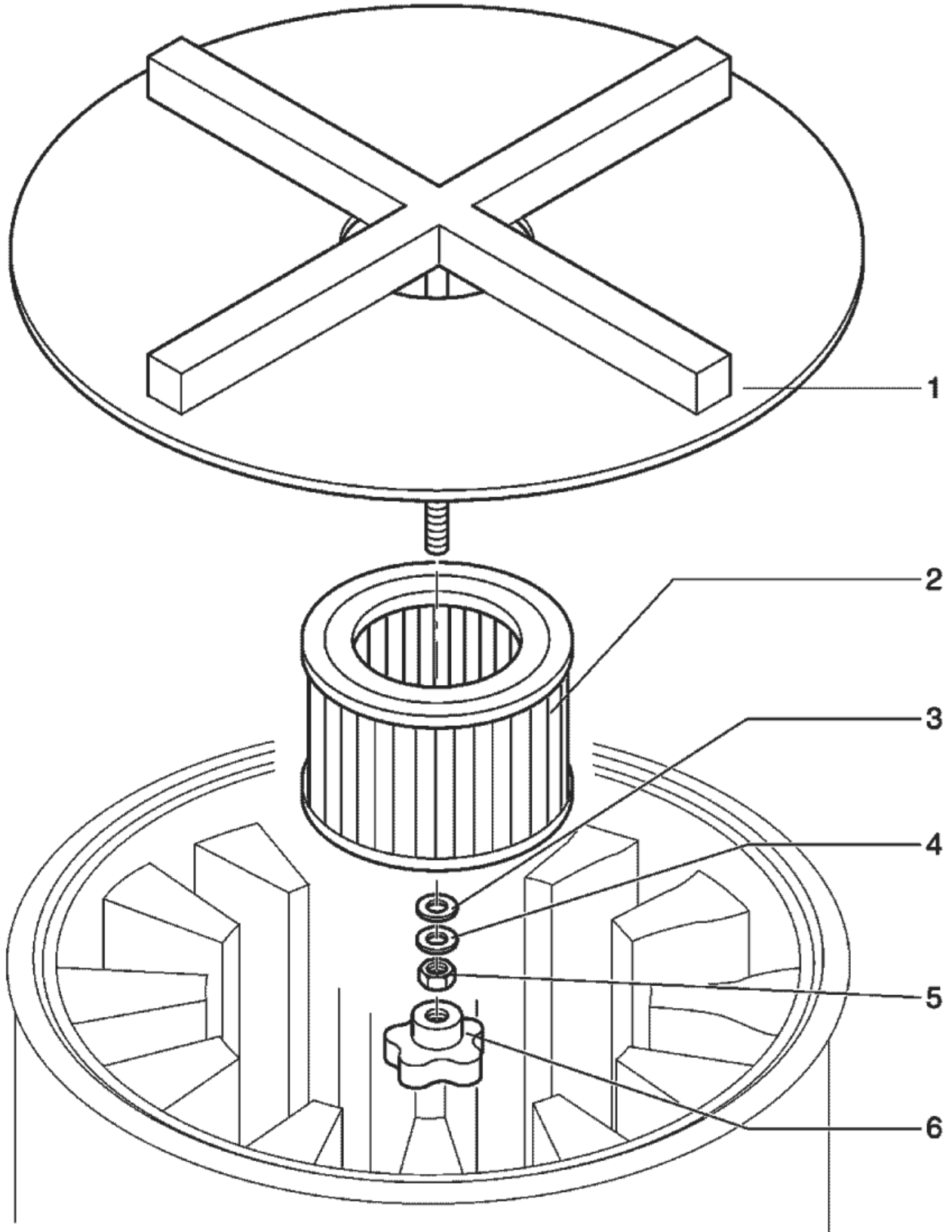
A 500 STD/ATEX

30-07-2013

Part List ID

G12337

7



Absolute filter

A 500 STD/ATEX

30-07-2013

Part List ID G12337

8

Pos	Part no.	Qty	Description
1	Z8 33322	1	DISC ABS.FILTER A15 FE
2	Z8 17262	1	ABSOLUTE FILTER D360 x 150 H14
3	Z8 38053	1	WASHER D10 IRON-RUBBER
6	Z8 40576	1	KNOB D60 M10 NO HOLE
100	Z5 60326	1	HEPA KIT A15/A500 ATEX
100	Z5 60329	1	HEPA KIT A15/A500 STD