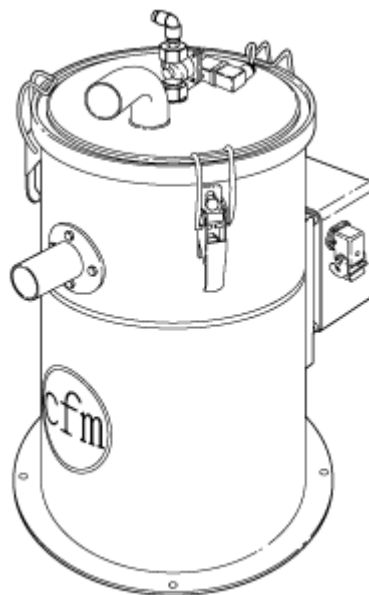


A28XR and A36XR

Model:
Three phase -
granular product



Part List US-English

26-02-2015

Table of Contents

A28XR and A36XR

Hopper A28XR	3
Hopper A36XR	5
Accessories	7

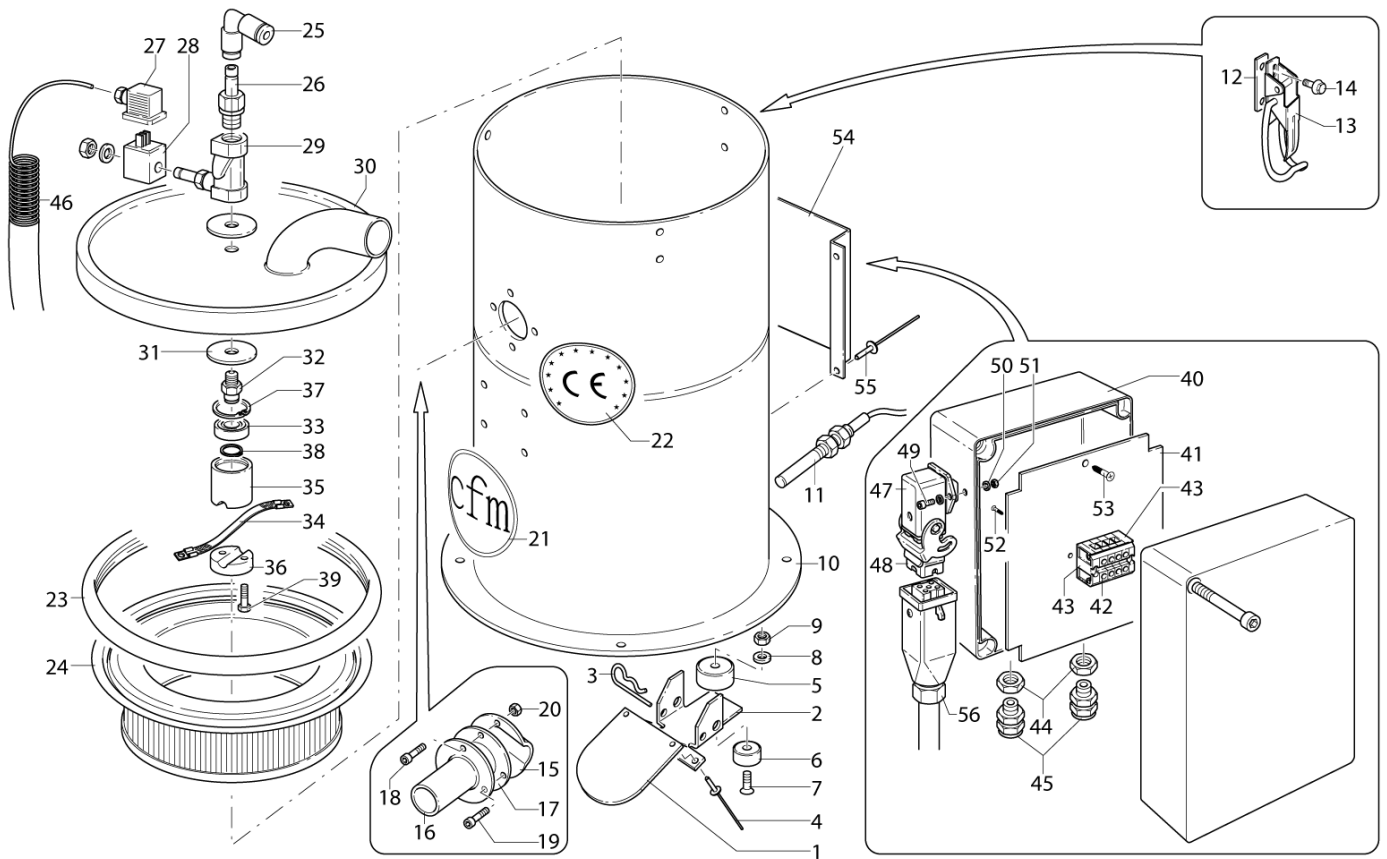
Hopper A28XR

A28XR and A36XR

26-02-2015

Part List ID
28XR36XR02

3



Hopper A28XR

A28XR and A36XR

26-02-2015

Part List ID
28XR36XR02

4

Pos	Part no.	Qty	Description	
0	Z58 32105	1	GIROL COMPLETE 128XR	POS. 32-39
0	Z58 33090	1	CARTRIDGE COMPLETE M.128XR	POS. 23-24
0	Z8 31081	1	DISCH.CLOSURE D80 COMPLETE	POS. 1-4
2	Z58 14124	1	HINGE D80/120 INOX	
3	Z58 14047	1	SPLIT PIN CLOS.DISCHARGE	
5	Z58 14092	1	IRON BALANCE WEIGHT CLAPPET D80	
6	Z58 40078	1	MAGNET d.20	
10	Z58 31076	1	CYLINDER D280X500 A28X	
11	Z58 39148	1	SENS.MAGN.M18 PA NC 250VAC 2W 0.5M IP67	
12	Z8 18010	3	HOOK HOLDER PLATE	
13	Z8 36028	3	CAP LEVER CLOSURE FE	
15	Z8 12011	1	DEFLECTOR D40 ALUMINIUM	
16	Z8 32043	1	INLET SHEET D40 FE	
17	Z8 17004	1	INLET SEAL D40	
21	Z8 17083	1	GREEN LABEL CFM BIG GREEN	
22	Z8 17349	1	CE MARK LABEL	
23	Z8 17024	1	FILTER SEAL D280 BLACK	
24	Z58 33091	1	CARTRIDGE D280 MOD.128XR	
25	Z58 47093	1	ELBOW CONN. D8 QUICK	
26	Z58 40547	1	CONN.ROD 1/4M D8	
27	Z8 40086	1	CONNECTOR TYPE E MOD. B1 IP65	
29	Z58 47523	1	ELECTROVALVE MMB203-DBZ 1/4	
44	Z8 39567	2	METAL RING NUT PG11	
45	Z8 39208	2	CABLE GLAND PG11 PA	
47	Z8 39186	1	FIX CASE x 3-4P+E GW BENT 90 PLASTIC IP6	
48	Z8 39345	1	OUTLET INSERT 3P+E GW PLASTIC	
56	Z58 39812	1	CABLE CONN.HOPP.A42-A43 XP 3P+T	

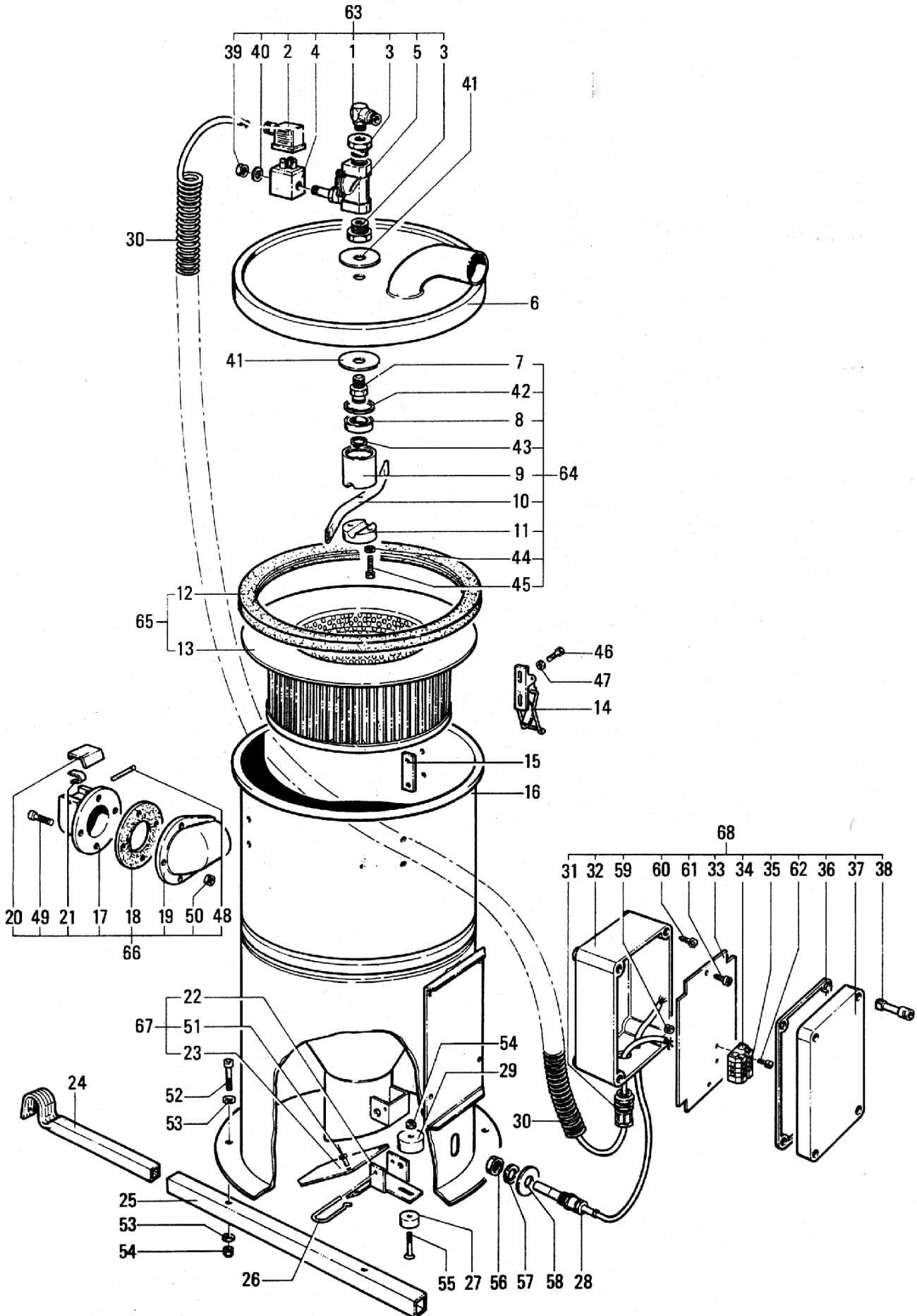
Hopper A36XR

A28XR and A36XR

26-02-2015

Part List ID
28XR36XR06

5



Hopper A36XR

A28XR and A36XR

26-02-2015

Part List ID
Z8XR36XR06

6

Pos	Part no.	Qty	Description
3	Z8 40076	1	REDUCER 1/2M-1/4F
4	Z58 39146	1	SOL.VALVE MM-B203-DBZ 1/4 W.COIL 24VAC +
12	Z8 17025	1	FILTER SEAL D360 BLACK
13	Z58 33109	1	CARTRIDGE D360 MOD.136XR
14	Z8 36028	1	CAP LEVER CLOSURE FE
15	Z8 18010	1	HOOK HOLDER PLATE
17	Z8 13001	1	ALUMINUM INLET D50/SWICH
18	Z8 17005	1	INLET SEAL D50
19	Z8 12012	1	DEFLECTOR D50 ALUMINIUM
20	Z8 32543	1	SS BUTTONFOR INLET D50
21	Z8 13010	1	SPRING INLET D50
22	Z58 14124	1	HINGE D80/120 INOX
24	Z58 18201	1	EXTENSION FOOT FEEDER
26	Z58 14047	1	SPLIT PIN CLOS.DISCHARGE
27	Z58 40078	1	MAGNET d.20
28	Z58 39148	1	SENS.MAGN.M18 PA NC 250VAC 2W 0.5M IP67
29	Z58 14092	1	IRON BALANCE WEIGHT CLAPPET D80
31	Z8 39208	1	CABLE GLAND PG11 PA
64	Z8 32106	1	MUFFLER D100 MOD3907W COM
65	Z58 33092	1	CARTRIDGE COMPLETE 136XR
66	Z8 32001	1	INLET+DEFLECTOR D50
67	Z8 31083	1	DISCH.CLOSURE D120 COMPLETE

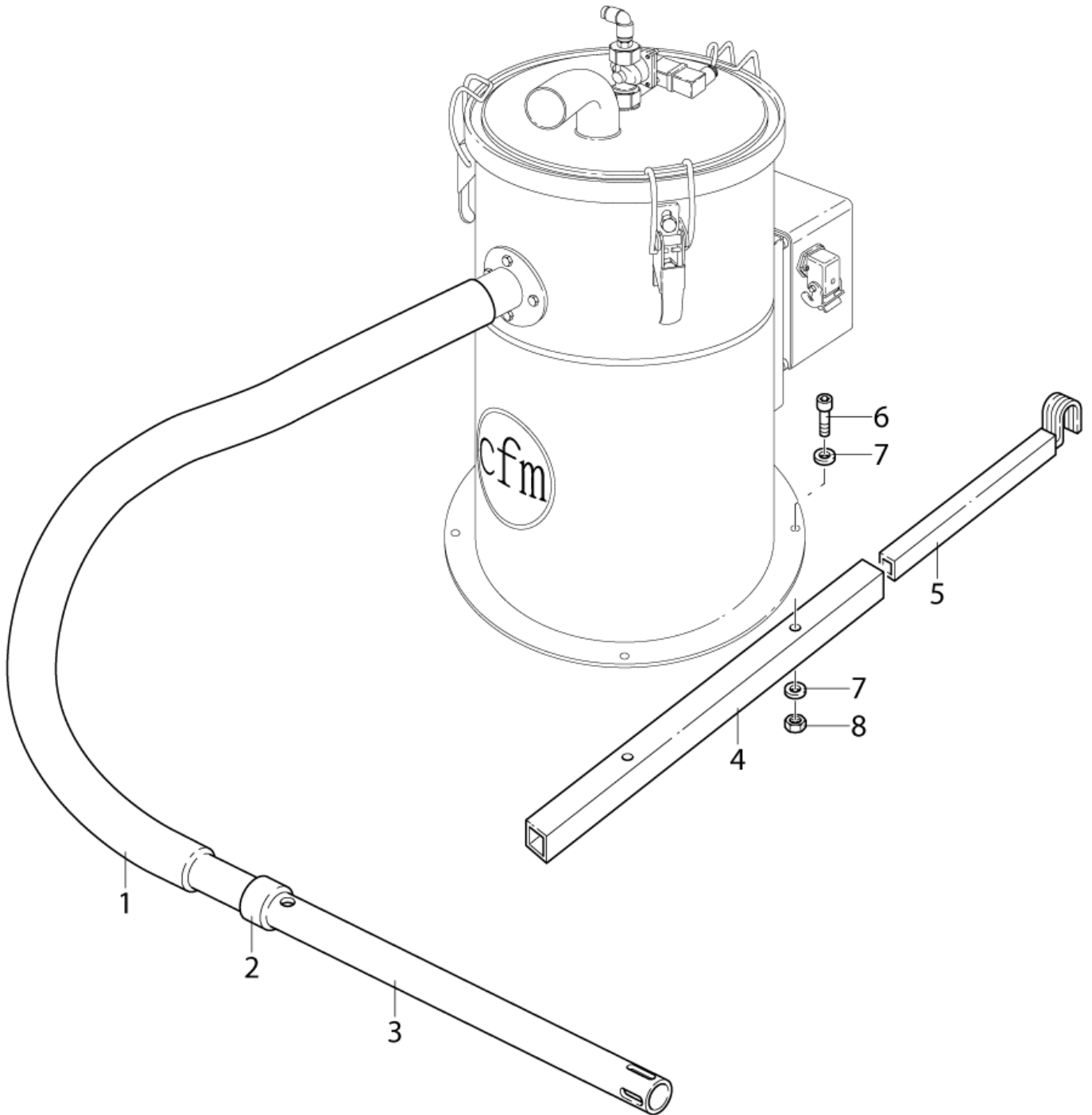
Accessories

A28XR and A36XR

26-02-2015

Part List ID
28XR36XR04

7



Accessories

A28XR and A36XR

26-02-2015

Part List ID
28XR36XR04

8

Pos	Part no.	Qty	Description
0	Z57 22160	1	TUBE SING.TUBE PROBE D40 INOX
1	Z7 24028	1	TUBE D40 ATOXIC ANTISTATIC IN METERS
2	Z8 20104	1	ADJUST SLEEVE D40 PVC
4	Z58 18198	2	FOOT FEEDER D280/220
5	Z58 18201	4	EXTENSION FOOT FEEDER