

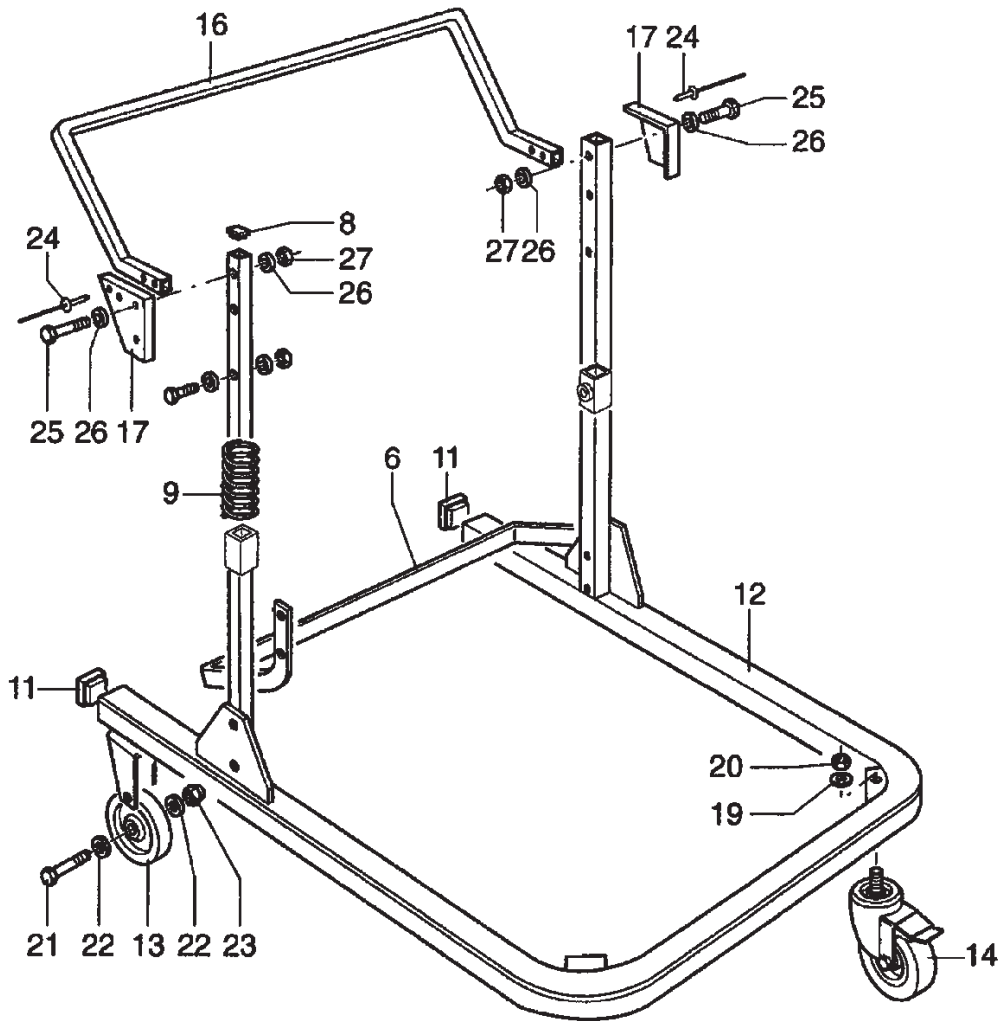
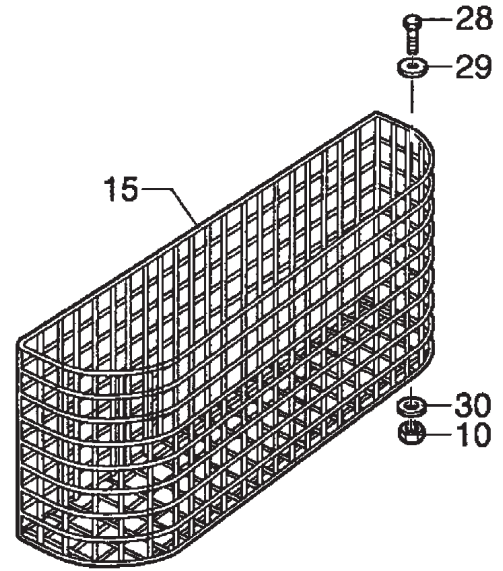
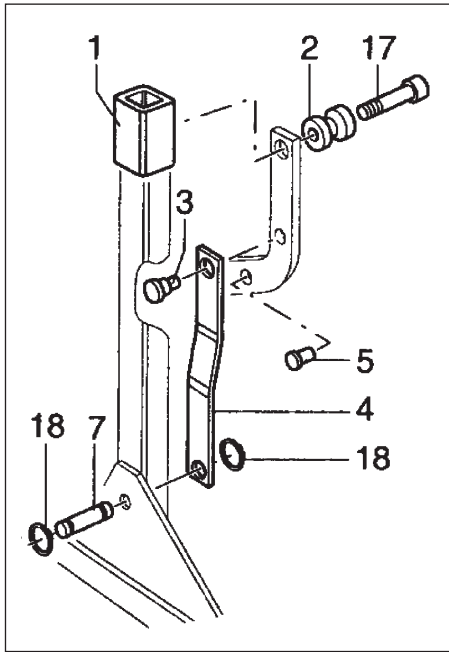

---

**Industrial models:**


---

**PLAN**

FRAME	G - 12.6.3 - 3
CONTAINER UNIT	G - 12.6.3 - 5
FILTER GROUP	G - 12.6.3 - 7
FILTER HEPA KIT - STD	G - 12.6.3 - 9
FILTER HEPA KIT - ATEX	G - 12.6.3 - 11
COVER	G - 12.6.3 - 13
SUCTION UNIT	G - 12.6.3 - 15

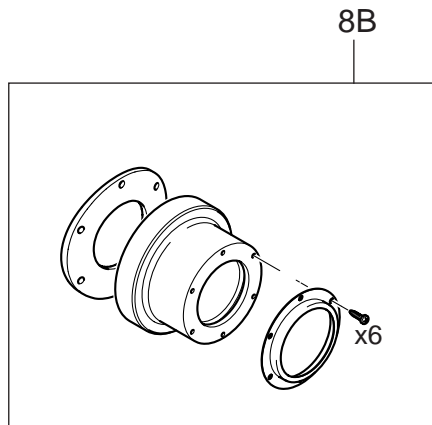
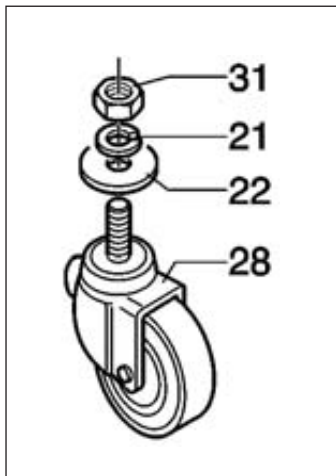
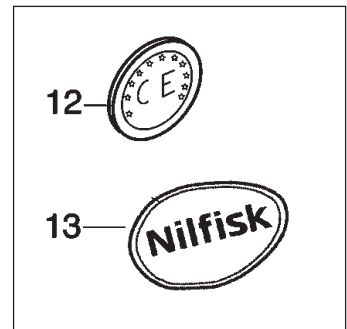
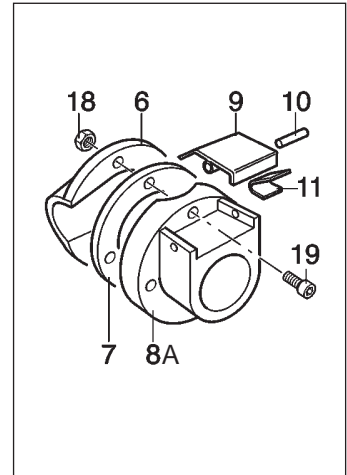
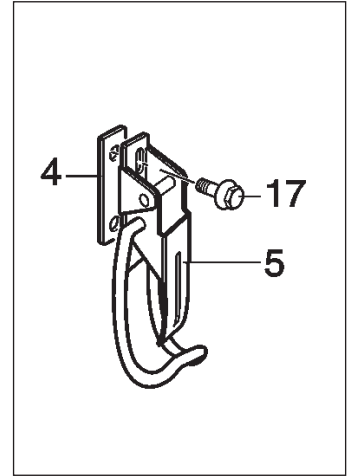
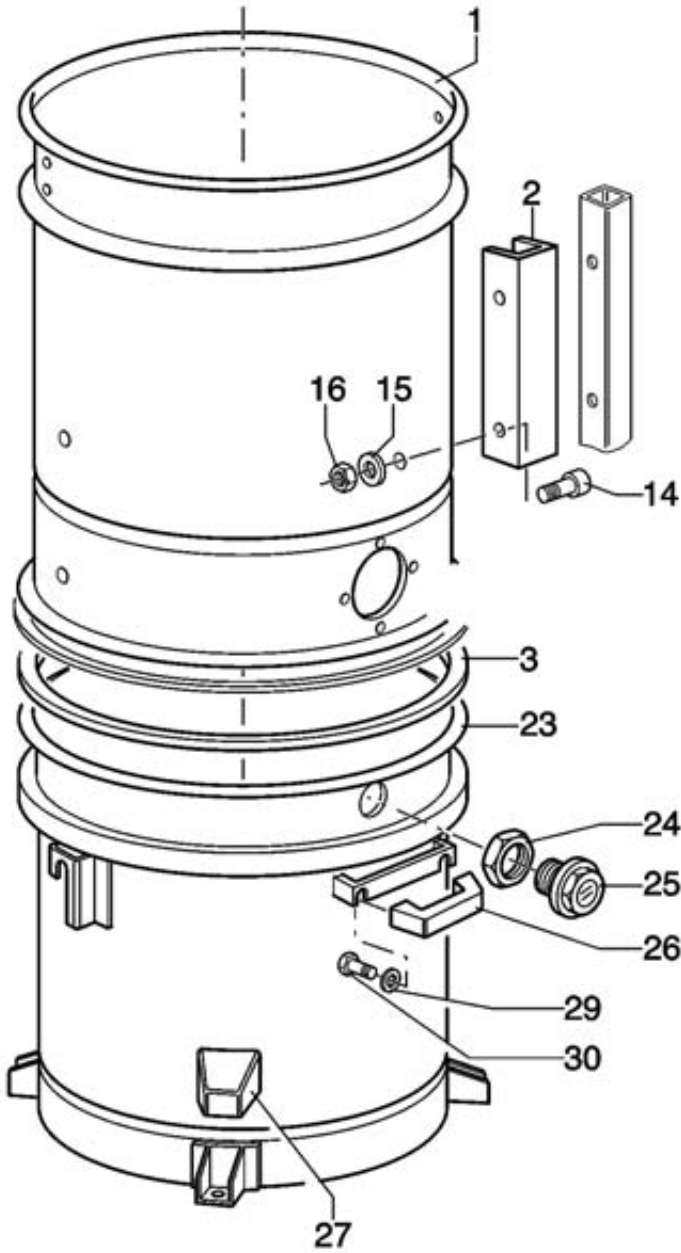


05-12	A 1000	BOOK G		
	FRAME	G	12.6.3	3

Pos.	Part No.	Qty.	Desc.1	Desc.2,	EAN
					+
1	Z8 36000	2	MOBILE LIFERAFT D460		
2	Z8 14028	2	RELEASE PULLEY D460		
3	Z8 14084	2	UPPER LEVER PIN D460		
4	Z8 14085	2	RELEASE LEVER D460		
5	Z8 14087	2	STOP AND RELEASE PIN D460		
6	Z8 14054	1	RELEASE LEVER D.460		
7	Z8 14083	2	LOWER LEVER PIN D460		
8	Z8 40034	2	PVC PLUG 35X35		
9	Z8 14135	1	SPRING FOR 317 60 LT		
9	Z8 14136	1	SPRING FOR 317 D460 100 LT		
11	Z8 40035	2	PVC PLUG 40X40		
12	Z8 36061 7016	1	TROLLEY M. 317		
13	Z8 40006	2	ANTISTATIC D150 CASTOR COMPONENT		
14	Z8 40007	2	ANTISTATIC D150 CASTOR + BRAKE COMPONENT		
15	Z8 16060	1	TRAY		
16	Z8 18300	1	HANDLE MOD317		
17	Z8 18324 7016	2	BRACKET FOR HANDLE		
100	Z8 36144 7016	1	COMPLETE TROLLEY L60		
100	Z8 36146 7016	1	COMPLETE TROLLEY LT100		

**Note**

>> means: New or changed ref. no.



Pos. 1 - 20 — 100

Pos. 8 - 11 — 101

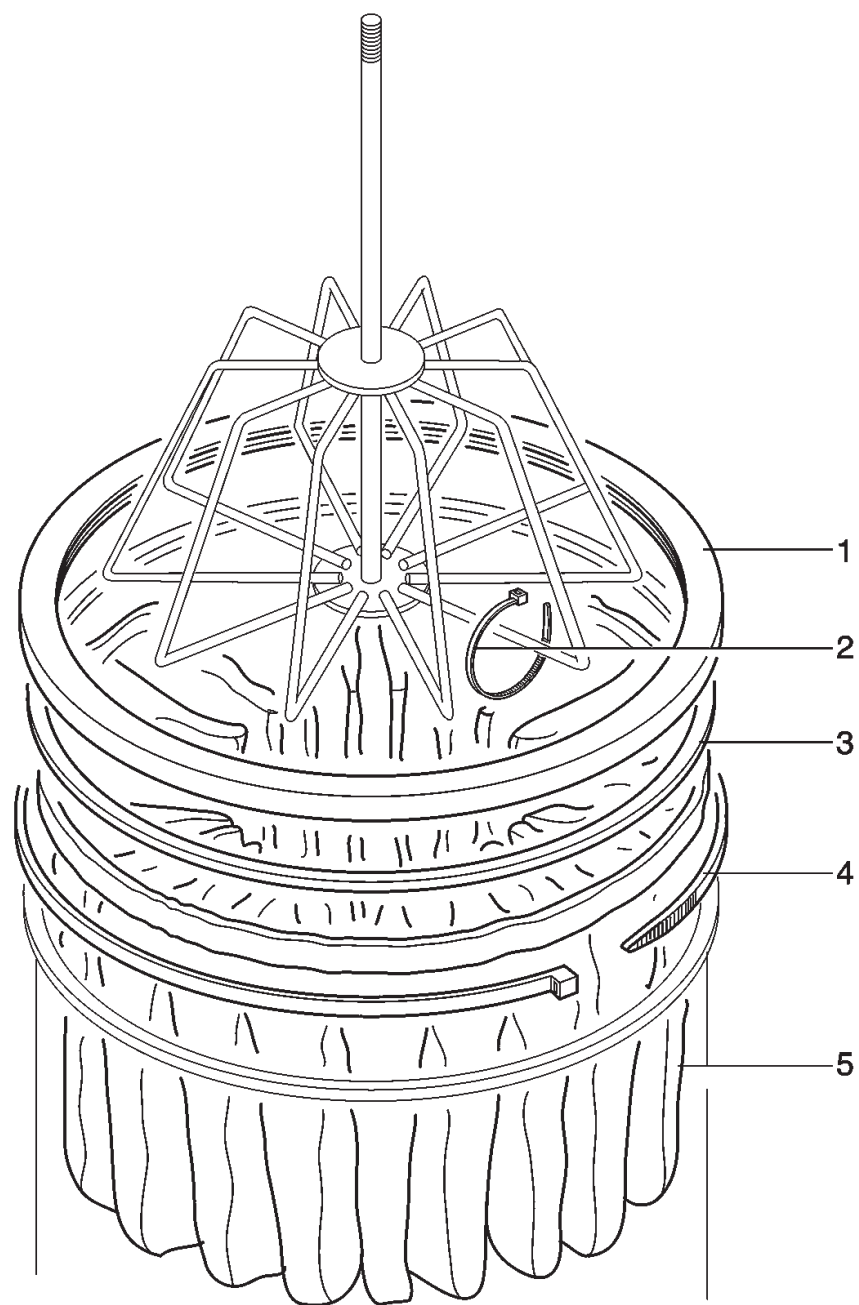
Pos. 21 - 33 — 102

05-12	A 1000	BOOK G		
	CONTAINER UNIT	G	12.6.3	5

Pos.	Part No.	Qty.	Desc.1	Desc.2,	EAN +
1	Z8 31097	1	FILTER HOUSING D460X600	IN SS	
1	Z8 31348	1	FILTER HOUSING D460X600	IN SS	
1	Z8 31662 7001	1	FILTER HOUSING D460X590		
1	Z8 31669 7001	1	FITLER HOUSING D460X590	M137	
2	Z8 14018	2	SIDE BRACKET D460		
2	Z8 14176	2	LATERAL CLAMP D460		
2	Z8 14177	2	S.S. LATERAL CLAMP D460		
2	Z8 14516	2	JUNCTION FOR INLET D70		
3	Z8 17007	1	JUNCTION RING GASKET D460		
4	Z8 18010	2	PLATE		
5	Z8 36028	2	BIN CLIP FOR IRON CAP		
5	Z8 36030	2	LATCH SS		
6	Z8 12294	1	DEFLECTOR		
6	Z8 12298	1	SS DEFLECTOR D70		
7	Z8 17006	1	MOUTH GASKET D70		
7	Z8 17724	1	SINGLEPHASE PLATE		
8A	Z8 13172	1	INLET D70		
8B	32400934	1	INLET 70/50 CPL		
9	Z8 32132	1	SPRING MECHANISM		
10	Z8 38020	2	ELASTIC PLUG 3X16		
11	Z8 13010	2	SPRING D50		
20	Z8 17740	1	LABEL A1000 NILFISK		
23	Z8 30009 7001	1	REALISING CONTAINER D460	L60	
23	Z8 30012 7001	1	REALISING CONTAINER D460	L100	
23	Z8 30115	1	CONTAINER D460 L60 SS		
23	Z8 30116	1	CONTAINER COLLECTION SS	460MM	
24	Z8 38000	1	RING NUT		
25	Z8 40021	1	INDICATOR D.36		
26	Z8 40205	2	HANDLE		
27	Z8 17021	4	BUMPER-WHEEL HOLDER		
28	Z8 40001	4	MOVABLE CASTOR D60		
100	Z8 31667 7001	1	COMPLETE FILTER HOUSING	D460	
100	Z8 31668	1	COMPLETE FILTER HOUSING		
100	Z8 31671 7001	1	COMPLETE FILTER HOUSING	D460	
100	Z8 31672	1	COMPLETE FITLER HOUSING		
101	Z8 32333	1	COMPLETE INLET D.70 NIPPLOY		
102	Z8 30088 7001	1	COMPLETE REALISING CONTAINER		
102	Z8 30089 7001	1	COMPLERE REALISING CONTAINER		
102	Z8 30124	1	CONTAINER 460MM		
102	Z8 30125	1	CONTAINER SS 460MM 100L		
102	Z8 30261	1	SS CONTAINER L100 WHEELS		
102	Z8 30262	1	SS CONTAINER L60 WHEELS		

**Note**

>> means: New or changed ref. nos.

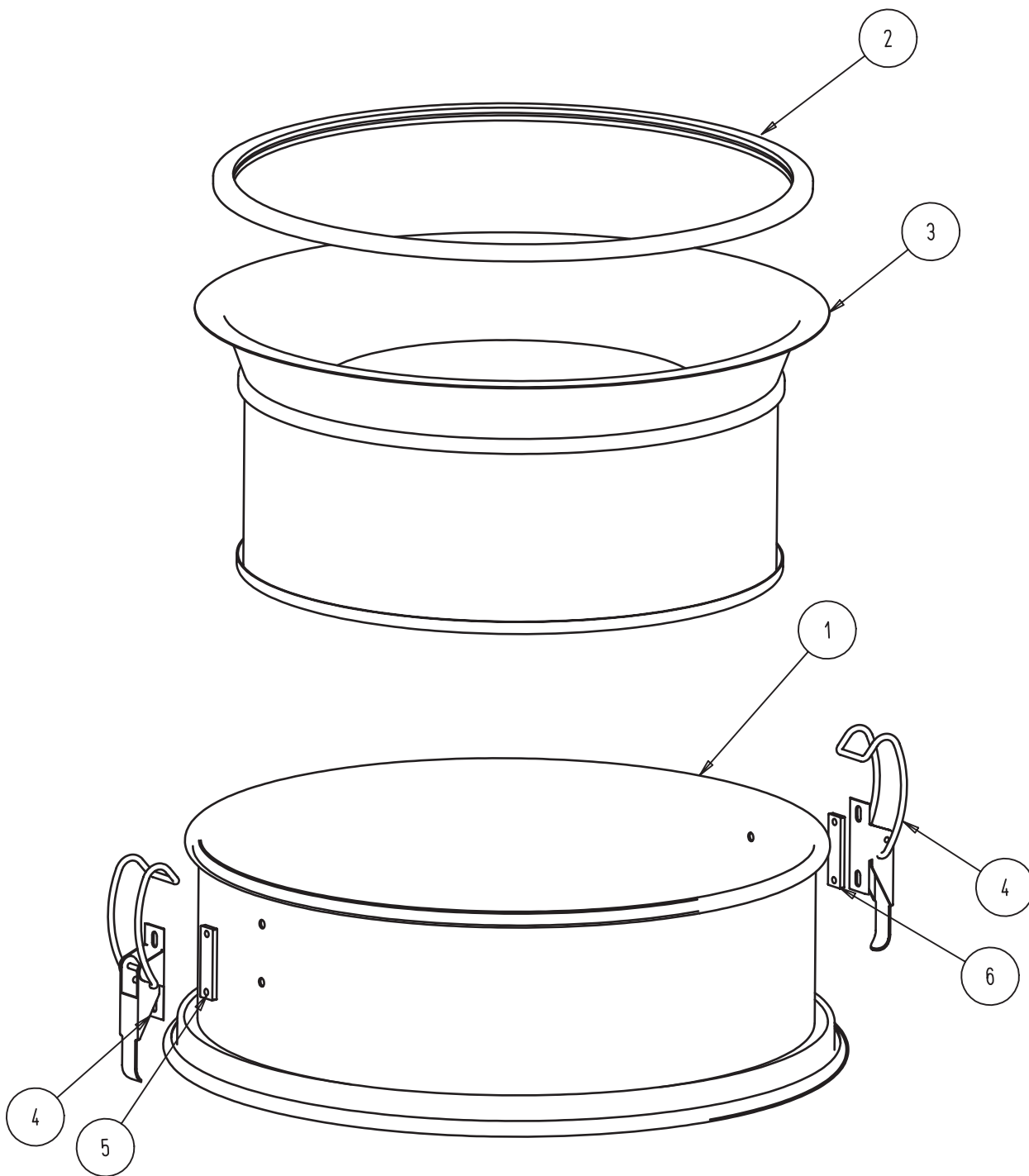


05-12	A 1000	BOOK G		
	FILTER GROUP	G	12.6.3	7

Pos.	Part No.	Qty.	Desc.1	Desc.2,	EAN
					+
1	Z8 17026	1	GASKET	D.460	
1	Z8 17126	1	SILICONE GASKET	D.460	
2	Z8 40053	6	PVC BENDS FOR STAR FILTER		
3	Z8 15003	1	IRON FILTER RING	D.460	
3	Z8 15010	1	STAINL.STEEL FILTERRING	D.460	
4	Z8 18079	1	FILTER LOCK	D.460	
5	Z8 17141	1	ANTISTATIC STAR FILTER	D.460	
100	Z8 33157	1	D460 COMPLETE ANTISTAT.	STAR FILTER	
100	Z8 33178	1	SS COMPLETE ANTISTATIC	STAR FILTER D.460	

**Note**

>> means: New or changed ref. nos.



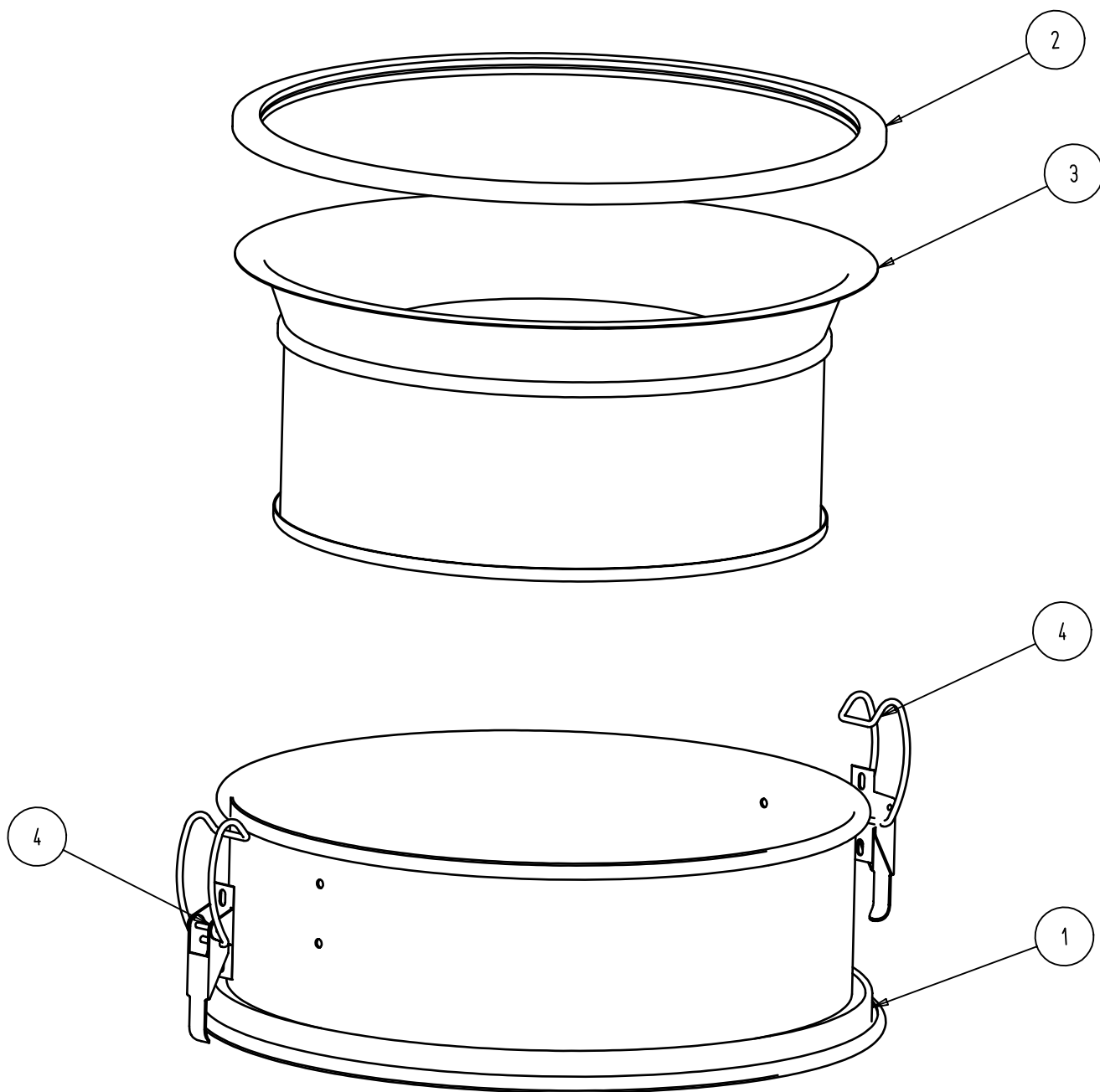


05-12	A 1000	BOOK G		
	FILTER HEPA KIT - STD	G	12.6.3	9

Pos.	Part No.	Qty.	Desc.1	Desc.2,	EAN
					005715492+
1	Z8 11072 7001	1	ABSOLUTE FILTER HOUSING D460X1		
2	Z8 17026	1	GASKET D460		
3	Z8 17263	1	ABSOLUTE FILTER D460 K1		
4	Z8 36028	2	BIN CLIP FOR IRON CAP		
5	Z8 18010	1	PLATE		
6	Z8 18010	1	PLATE		

**Note**

>> means: New or changed ref. nos.



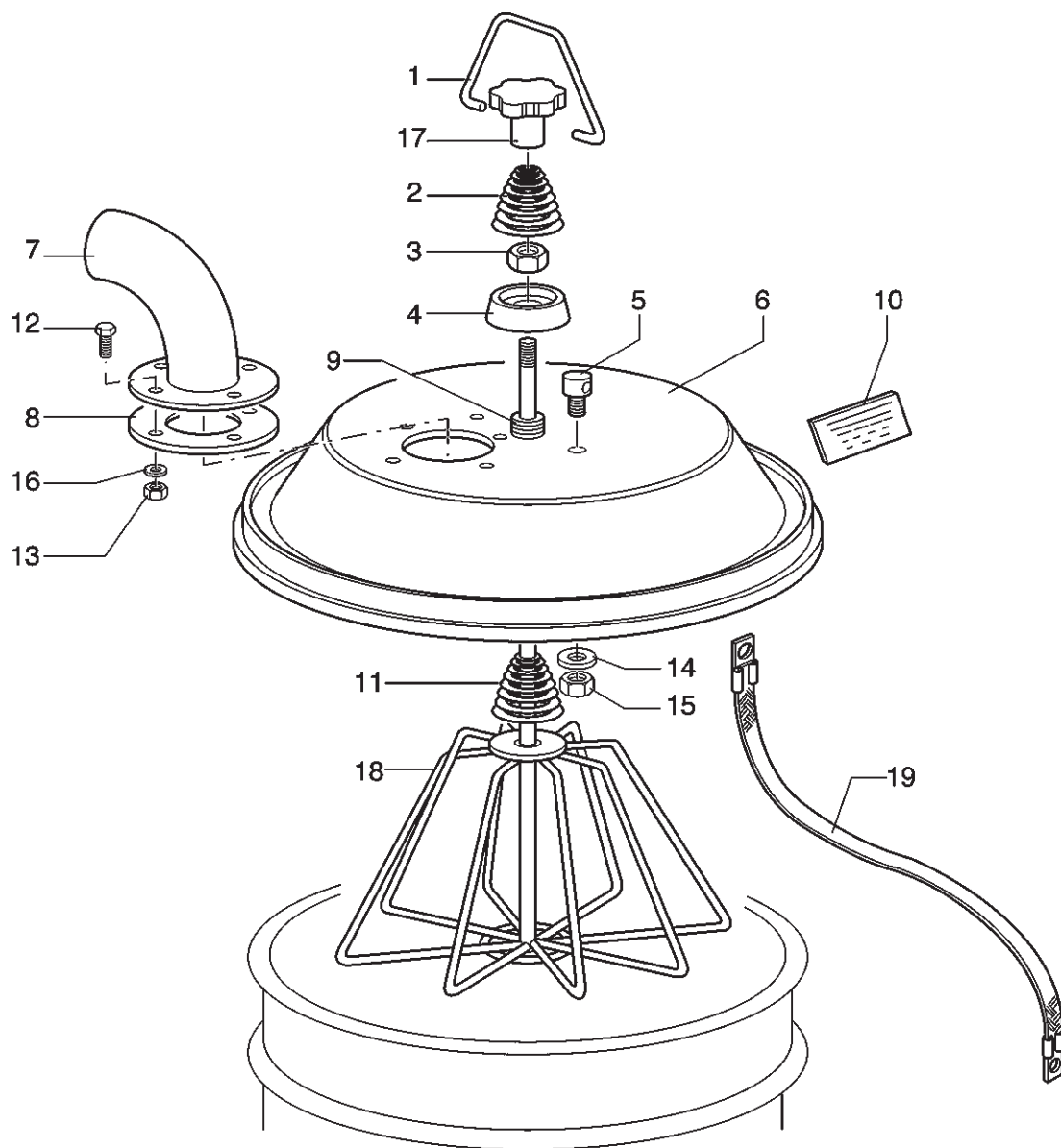
05-12	A 1000 - SPARE PARTS	BOOK G		
	FILTER HEPA KIT - ATEX	G	12.6.3	11

Pos.	Part No.	Qty.	Desc.1	Desc.2,	EAN
					005715492+

1	Z8 11073	1	ABSOLUTE FILTER HOUSING D460X150		
2	Z8 17126	1	SILICONE GASKET D460		
3	Z8 17263	1	ABSOLUTE FILTER D460 K1		
4	Z8 36030	1	LATCH SS		

**Note**

>> means: New or changed ref. nos.



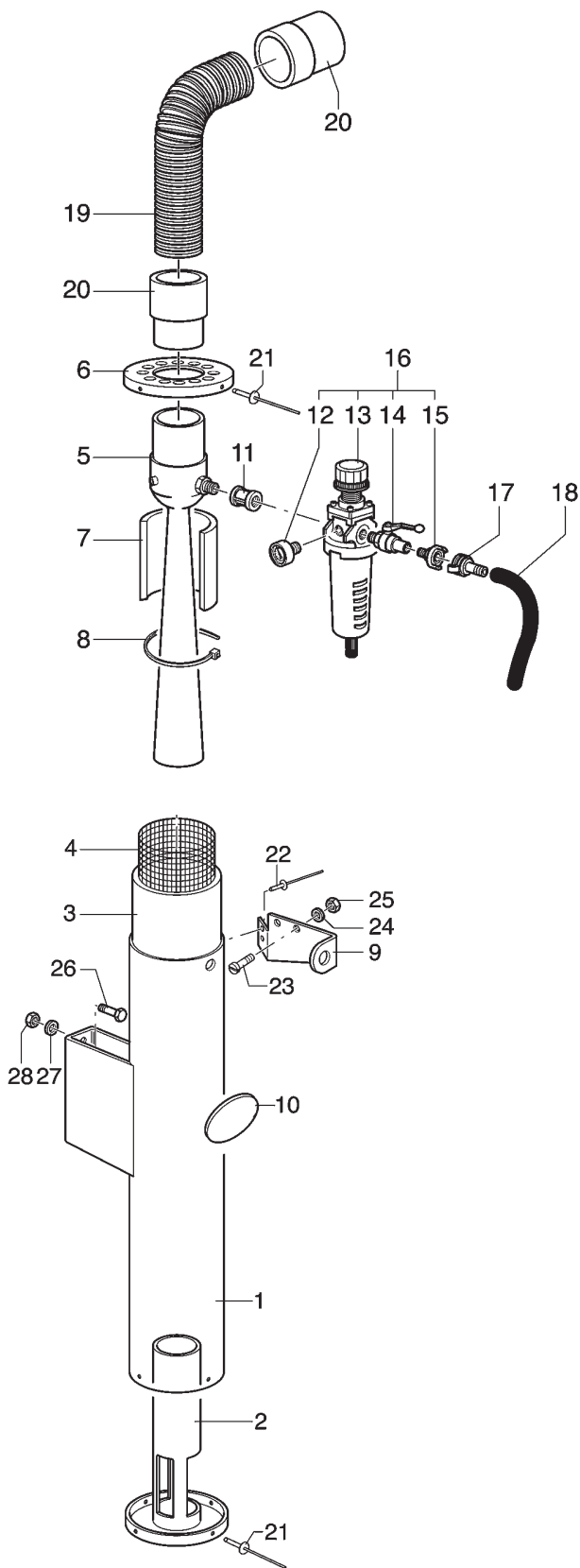
05-12	A 1000	BOOK G		
	COVER	G	12.6.3	13

Pos.	Part No.	Qty.	Desc.1	Desc.2,	EAN 005715492+
1	Z8 18206	1	IRON FILTER SHAKER HOOK		
1	Z8 18207	1	SS FILTER SHAKER HOOK		
2	Z8 14079	1	IRON SPRING		
2	Z8 14080	1	STAINLESS STEEL SPRING		
3	Z8 14052	1	NUT		
3	Z8 14068	1	BUSHING NUT STAINL.STEEL F.S		
4	Z8 14071	1	IRON SPRING HOLDER		
4	Z8 14072	1	STAINL.STEEL SPRING HOLDER		
5	Z8 14061	2	FILTER SHAKER RELEASE PIN		
5	Z8 14070	2	FILTER SHAKER PIN		
6	Z8 31049 7001	1	COVER D460 F70		
6	Z8 31054	1	COVER CONTAINER SS 460MM		
7	Z8 32006	1	INLET D.70 FLANGE 120		
7	Z8 32067	1	S.S.COVER FITTING D.70		FL. 120
8	Z8 14516	1	JUNCTION FOR INLET D70		
8	Z8 17006	1	MOUTH GASKET D70		
9	Z8 14050	1	FILTER SHAKER BUSH		
9	Z8 14066	1	S.S.FILTER SHAKER BUSH		
10	Z8 17107	1	FILTER SHAKER LABEL		
11	Z8 14081	1	IRON SPRING		
11	Z8 14082	1	IRON SPRING		
17	Z8 40027	1	KNOB M12 FOR SHAKER		
18	Z8 33072	1	CAGE FOR STAR FILTER D460		
18	Z8 33076	1	CAGE FILTER SS 460MM 3307-3507		
19	Z8 39668	1	CABLE 500 MM EARTH		
100	Z8 31212 7001	1	COMPLETE COVER D460		
100	Z8 31213	1	S.S. COVER D.460 COMPLETE WITH INLET D.70		

**Note**

>> means: New or changed ref. nos.

G 12.6.3 14 SUCTION UNIT



05-12	A 1000	BOOK G		
	SUCTION UNIT	G	12.6.3	15

Pos.	Part No.	Qty.	Desc.1	Desc.2,	EAN 005715492+
1	Z8 32124	1	SILENCER D150		
2	Z8 31063	1	DIFFUSER		
3	Z8 13120	1	SPONGE D.150		
4	Z8 13151	1	NET PIPE		
5	Z8 40110	1	VENTURI HOSE		
6	Z8 13118	1	IRON UPPER COVER		
7	Z8 13044	1	SPONGE HP1		
8	Z8 40053	2	PVC BENDS FOR STAR FILTER		
9	Z8 18534	1	SUPPORTING FOR REDUCER		
11	Z8 40267	1	SLEEVE 3/8		
13	Z8 40097	1	PRESSURE REGULATOR		
16	Z8 40097	1	PRESSURE REGULATOR		
17	Z8 40225	1	HOSE CONNECTION		
18	Z8 24063	1	AIRLINE HOSE		
19	Z7 24117	1	POLYURETHANE HOSE D70		ANTISTAT BLACK
20	Z7 20310	2	ANTISTATIC SLEEVE D70		
100	Z8 32125	1	VENTURI D150		

**Note**

>> means: New or changed ref. nos.