

# VHW311

---

Model:  
VHW311



Part List US-English

09-10-2014

# Table of Contents

VHW311

<b>Car 01</b>	<b>3</b>
<b>Car 02</b>	<b>5</b>
<b>Container unit</b>	<b>7</b>
<b>Filter group</b>	<b>9</b>
<b>Shaker unit</b>	<b>11</b>
<b>Suction unit</b>	<b>13</b>
<b>Electric system (VHW311 T)</b>	<b>15</b>
<b>Electric system (VHW311)</b>	<b>17</b>
<b>Absolute filter</b>	<b>19</b>

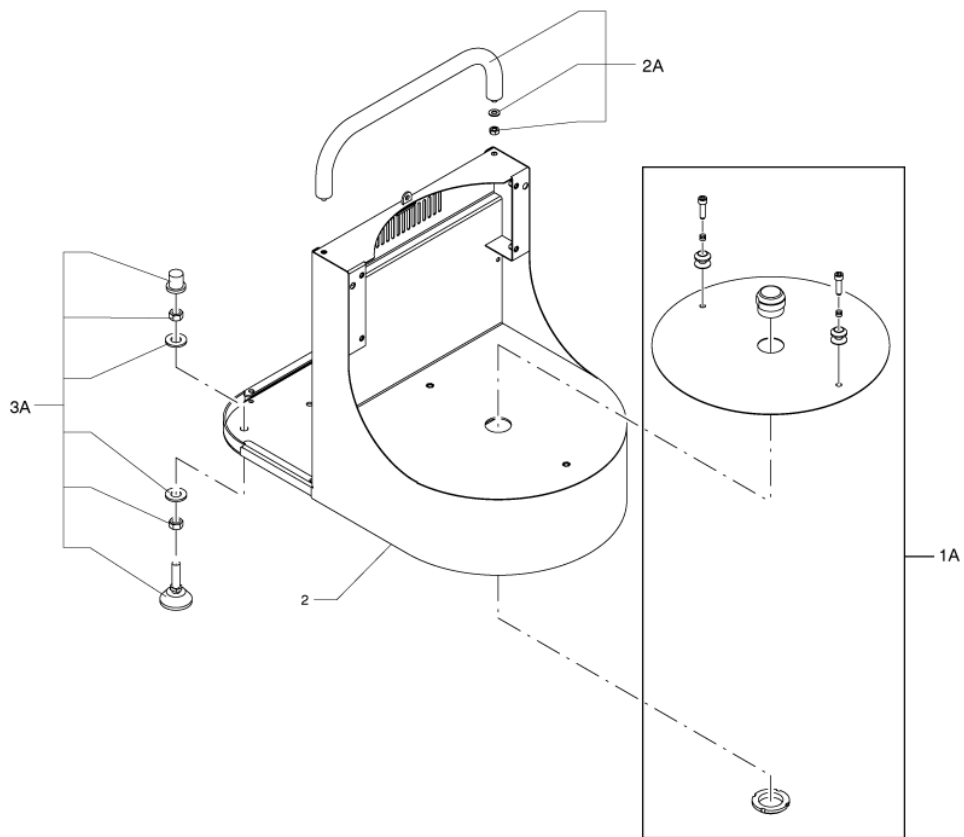
# Car 01

VHW311

09-10-2014

Part List ID  
VHW31101

3



# Car 01

VHW311

09-10-2014

Part List ID  
VHW31101

4

Pos	Part no.	Qty	Description
2	4083600729	1	MODULAR BASE HORIZONTAL R9003 MOD.VHW
2	4083600737	1	MODULAR BASE HORIZONTAL SS MOD.VHW
1A	4089100322	1	CONTAINER FIXING KIT
1A	4089100348	1	SS CONTAINER FIXING KIT
2A	4089100323	1	HANDLE KIT
2A	4089100347	1	SS HANDLE KIT
3A	4089100324	1	ADJUSTABLE FEET KIT
3A	4089100349	1	SS ADJUSTABLE FEET KIT

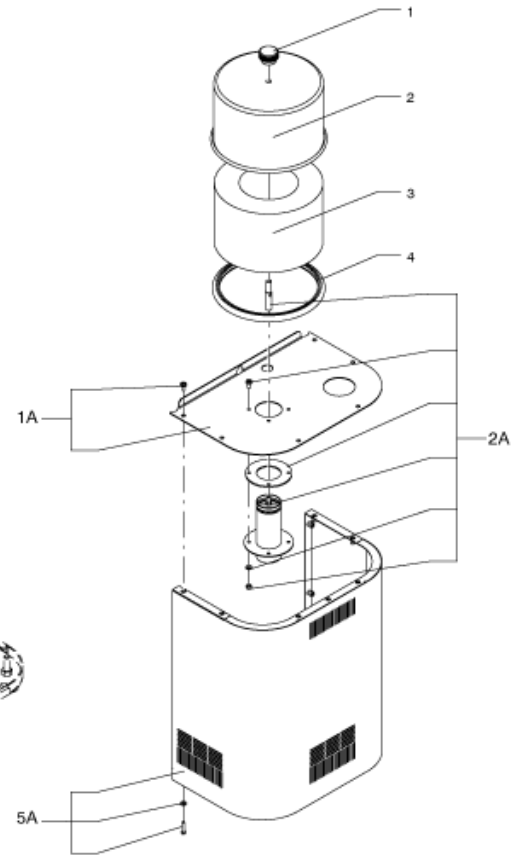
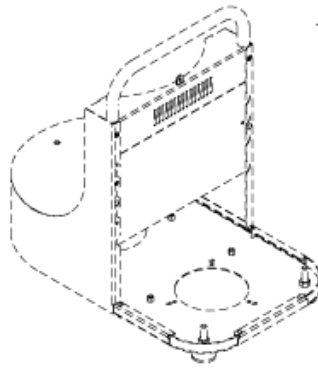
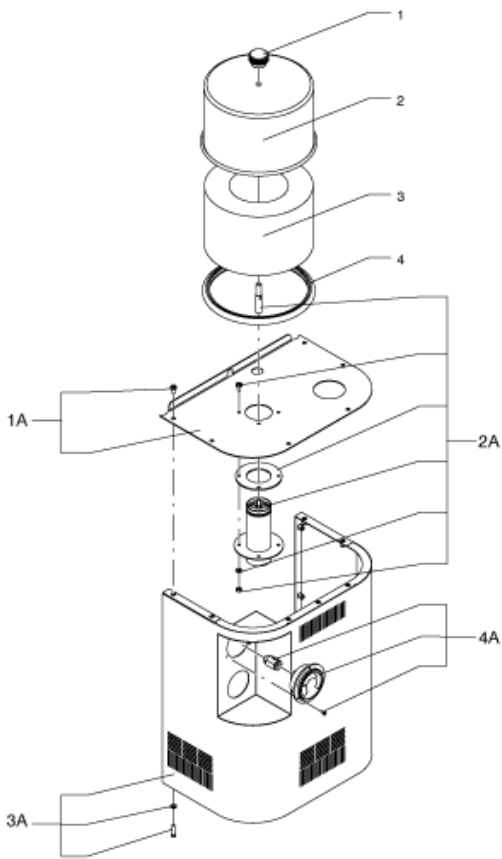
# Car 02

VHW311

09-10-2014

Part List ID  
VHW31103

5



# Car 02

VHW311

09-10-2014

Part List ID  
VHW31103

6

Pos	Part no.	Qty	Description
1	4084001146	1	KNOB D40 M10 DIFFUSER CONTAINER M.VHW
2	4083000681	1	DIFFUSER CONTAINER D220x142 R9003 M.VHW
2	4083000689	1	DIFFUSER CONTAINER D220x142 SS MOD.VHW
3	4081701054	1	SOUND-PROOF DIFFUSER MOD.VHW
4	Z58 17088	1	SEAL SILICONE 3VT22X
1A	4089100342	1	CARTER TOP CLOSURE KIT
1A	4089100350	1	SS CARTER TOP CLOSURE KIT
2A	4089100333	1	ABSOLUTE FILTER ASSEMBLY KIT
2A	4089100351	1	SS ABSOLUTE FILTER ASSEMBLY KIT
3A	4089100343	1	BOTTOM CLOSURE COVER KIT
3A	4089100352	1	SS BOTTOM CLOSURE COVER KIT
4A	4089100459	1	3000 VACUUM GAUGE KIT
5A	4089100388	1	CARTER BOTTOM CLOSURE KIT
5A	4089100400	1	SS CARTER BOTTOM CLOSURE KIT

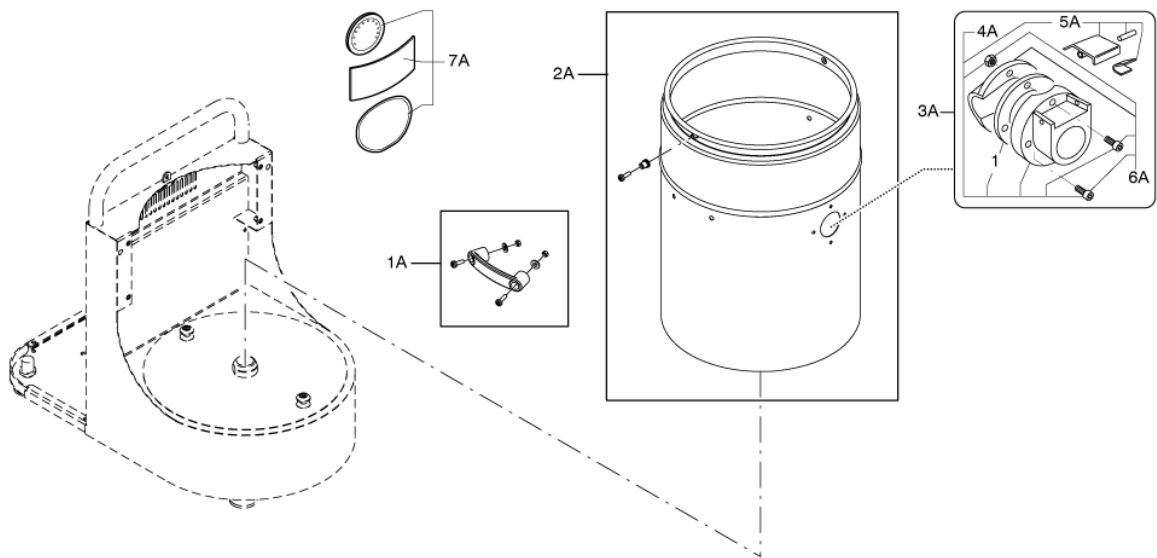
# Container unit

VHW311

09-10-2014

Part List ID  
VHW31105

7



# Container unit

VHW311

09-10-2014

Part List ID  
VHW31105

8

Pos	Part no.	Qty	Description
1	Z8 17005	1	INLET SEAL D50
1A	4089100325	1	HANDLE KIT
2A	4089100326	1	CONTAINER KIT
2A	4089100335	1	SS CONTAINER KIT
3A	40000393	1	KIT COMPLETE INLET FE D50
3A	40000394	1	KIT COMPLETE INLET INOX D50
4A	40000318	1	KIT INLET FE D50
4A	4089100280	1	D50 INLET SS KIT
5A	40000320	1	KIT PUSHBUTTON FOR INLET D50
6A	40000391	1	KIT DEFLECTOR D50
6A	40000392	1	KIT DEFLECTOR INOX D50
7A	4089100327	1	LABEL KIT



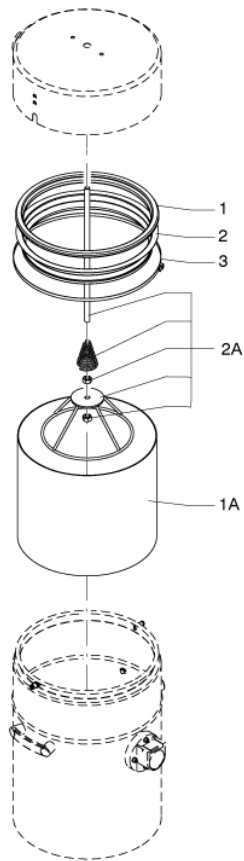
# Filter group

VHW311

09-10-2014

Part List ID  
VHW31107

9



# Filter group

VHW311

09-10-2014

Part List ID  
VHW31107

10

Pos	Part no.	Qty	Description
1	4081701040	1	FILTER SEAL PF D350 SBR BLACK MOD.VHW
1	4081701041	1	FILTER SEAL PF D350 SILICONE MOD.VHW
2	4081500220	1	FILTER HOLDER RING D350 FEMOD.VHW310-311
2	4081500229	1	FILTER HOLDER RING D350 SSMOD.VHW310-311
3	Z8 18078	1	FILTER BLOCK TIE D360
1A	40000379	1	KIT BAG FILTER D360 L CLASS
2A	4089100328	1	FILTER-SHAKER CAGE KIT
2A	4089100336	1	SS FILTER-SHAKER CAGE KIT

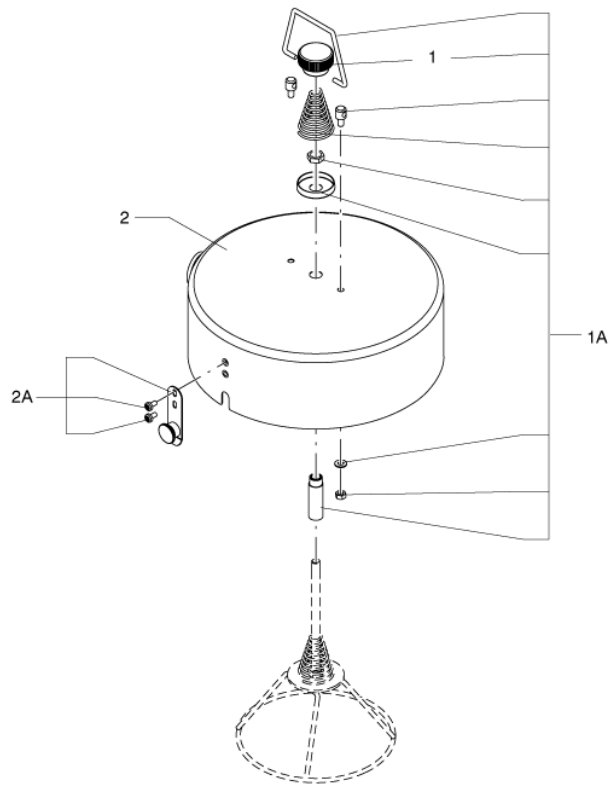
# Shaker unit

VHW311

09-10-2014

Part List ID  
VHW31109

11



# Shaker unit

VHW311

09-10-2014

Part List ID  
VHW31109

12

Pos	Part no.	Qty	Description
1	4084001145	1	KNOB D50 M12 SHAKER MANUAL M.VHW310-311
2	4083101132	1	COVER D360 R9003 MAN.SHAKER M.VHW310-311
2	4083101200	1	COVER D360 SS MAN.SHAKER MOD.VHW310-311
1A	4089100329	1	FILTER SHAKER KIT
1A	4089100337	1	SS FILTER SHAKER KIT
2A	4089100330	1	CAP CLOSURE LEVER KIT

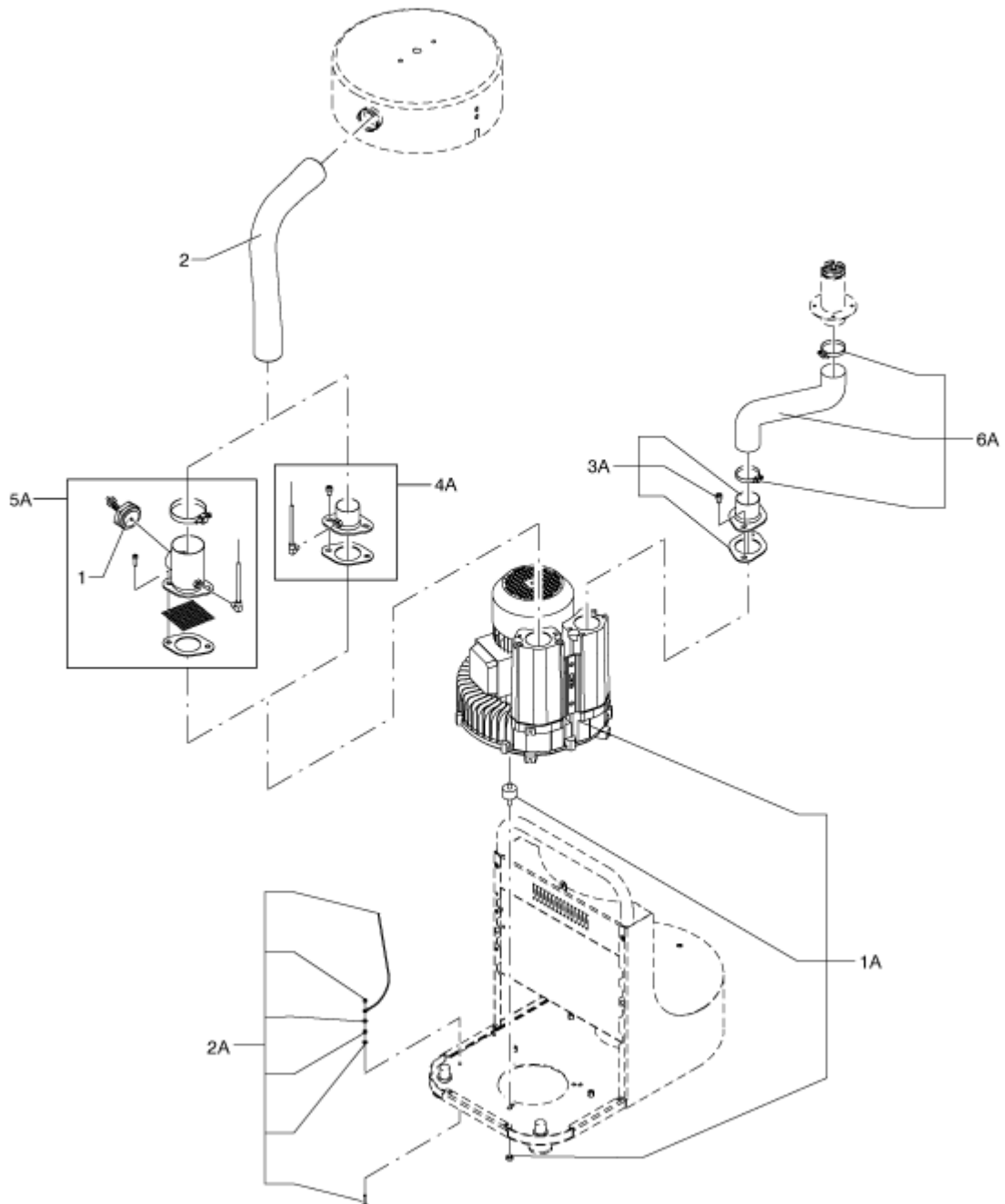
# Suction unit

VHW311

09-10-2014

Part List ID  
VHW31111

13



# Suction unit

VHW311

09-10-2014

Part List ID  
VHW31111

14

Pos	Part no.	Qty	Description
1	32400363	1	VALVE.SAFTY COMPLETE IV022
2	4082400236	1	HOSE D50 + SLEEVES D50 L560 M.VHW310-311
1A	4089100331	1	SUCTION UNIT KIT
2A	40000877	1	GROUND CABLE KIT
3A	40000326	1	KIT BLOWING CONNECTION D50
4A	40000327	1	KIT SUCTION CONNECTION D50
5A	4089100338	1	SUCTION CONNECTION KIT
6A	4089100332	1	PIPE KIT

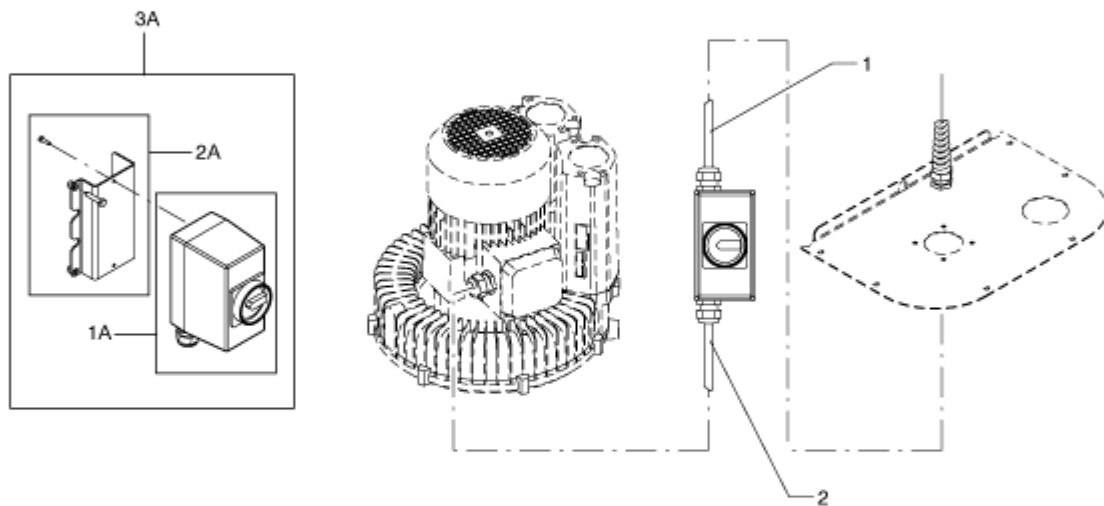
# Electric system (VHW311 T)

VHW311

09-10-2014

Part List ID  
VHW31113

15



# Electric system (VHW311 T)

VHW311

09-10-2014

Part List ID  
VHW31113

16

Pos	Part no.	Qty	Description
1	4089100344	1	POWER CABLE KIT
1	4089100345	1	5PP POWER CABLE KIT
2	Z8 391079	1	CABLE CONN.MOT. 4G2.5 SIL. MOD.3508-T40
1A	4089100339	1	ELECTRIC BOX KIT
2A	4089100340	1	ELECTRIC BOX SUPPORT KIT
3A	4089100341	1	ELECTRIC BOX PLUS SUPPORT KIT



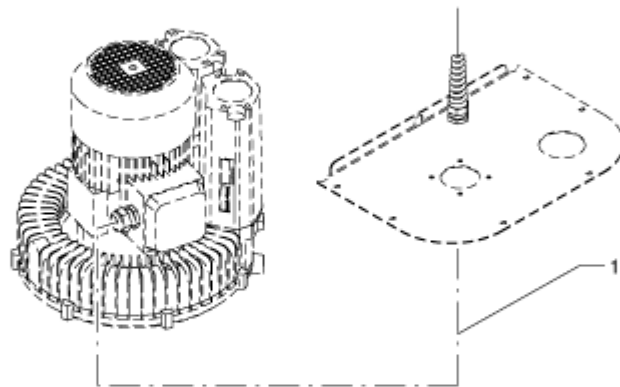
# Electric system (VHW311)

VHW311

09-10-2014

Part List ID  
VHW31115

17



# Electric system (VHW311)

VHW311

09-10-2014

Part List ID  
VHW31115

18

Pos	Part no.	Qty	Description
1	4089100428	1	POWER CABLE KIT



# Absolute filter

VHW311

09-10-2014

Part List ID  
VHW31117

20

Pos	Part no.	Qty	Description
1	Z7 22315	1	ADAPTOR REDUCER D50I-50E
2	Z58 17088	1	SEAL SILICONE 3VT22X
3	Z8 17262	1	ABSOLUTE FILTER D360 x 150 H14
4	4083101134	1	UPSTREAM HEPA CONTAINER D220 R9003 M.VHW
5	4084001146	1	KNOB D40 M10 DIFFUSER CONTAINER M.VHW
6	4083000681	1	DIFFUSER CONTAINER D220x142 R9003 M.VHW
1A	4089100298	1	EXHAUST DIFFUSER KIT
2A	4089100333	1	ABSOLUTE FILTER ASSEMBLY KIT
3A	4089100332	1	PIPE KIT
4A	4089100332	1	PIPE KIT
5A	4089100346	1	AU TOP CLOSURE CARTER KIT
6A	4089100334	1	AU PIPE KIT