

GD 5, GD 10, GD 5 Battery

Model:
GD 10 BACK
GD 5 BACK



Stückliste Deutsch

17-03-2015

Nilfisk

www.nilfisk.com

Inhalt

GD 5, GD 10, GD 5 Battery

Motor and motor parts	3
Electrical parts	5
BEHÄLTER TEILE	7
Straps parts	9
FILTER	11
Nozzles 32 mm	13
Tubes, hose 32 mm	15
Übersicht	17
Container and filter parts - GD 5 Battery	19
Motor parts and switch - GD 5 Battery	21
Nozzles 32mm - GD 5 Battery	23
Tube and hose 32mm - GD 5 Battery	25
EMPFOHLENE ERSATZTEILE	27

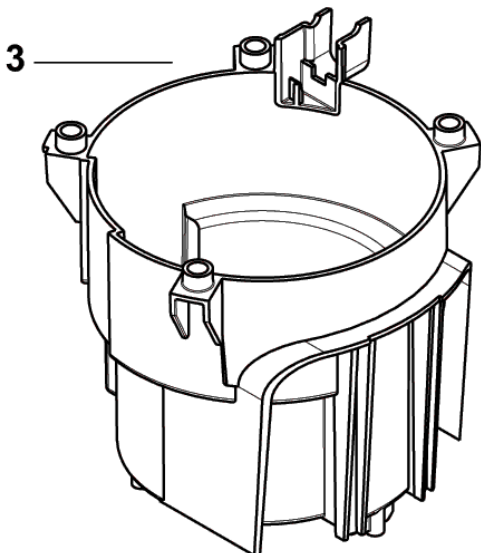
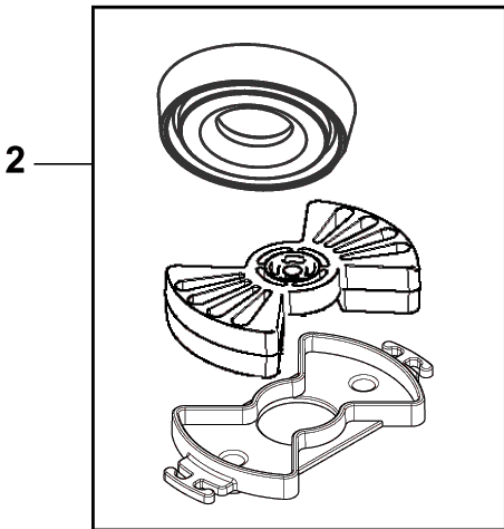
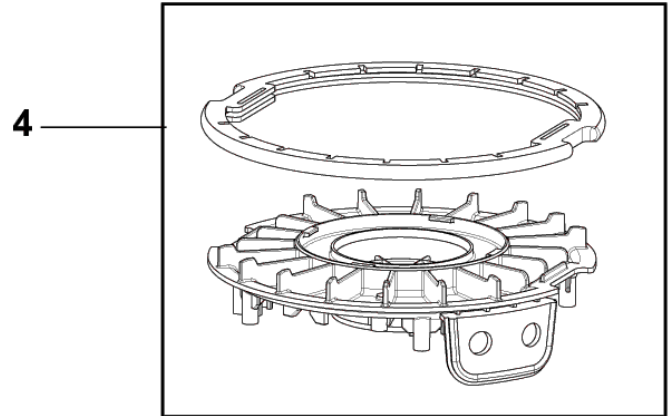
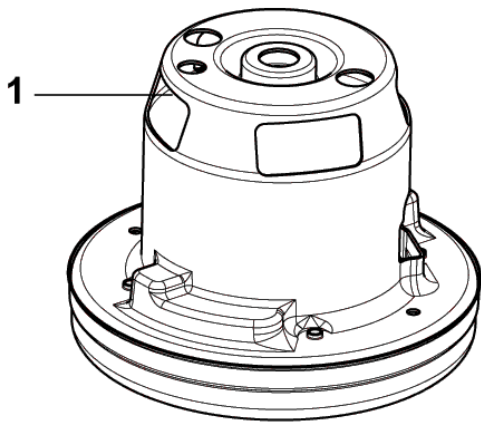
Motor and motor parts

GD 5, GD 10, GD 5 Battery

17-03-2015

ET-Liste-Nr. B10633

3



Motor and motor parts

GD 5, GD 10, GD 5 Battery

17-03-2015

ET-Liste-Nr. B10633

4

Pos	Artikelnr.	Me	Beschreibung
0	147 1291 000	1	OUTER BOX
0	147 1496 000	1	SPACER
1	107407330	1	Motor115V 400HZFOR GD5FLY Only for GD 5 fly
1	147 1109 500	1	FAN UNIT 100-120V 1300W
1	147 1109 510	1	Motor 220-240 V 1300 WGD 5 / GD 10
2	147 1111 500	1	Motoraufhängung
3	147 1088 500	1	Motorabdeckung
4	147 1086 500	1	Chassis dunkelgrau

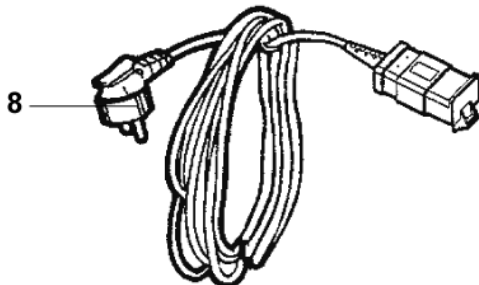
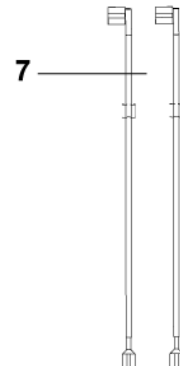
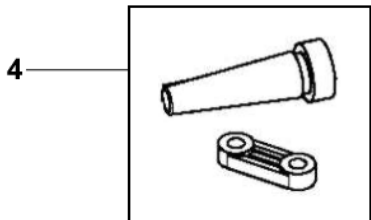
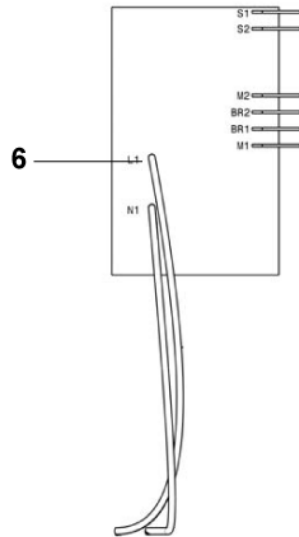
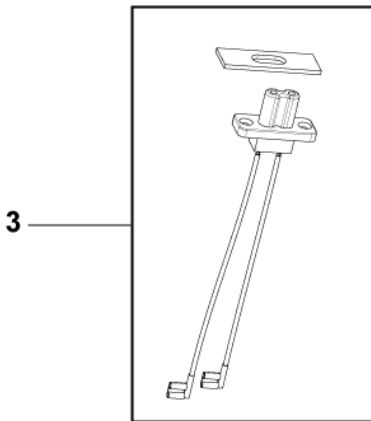
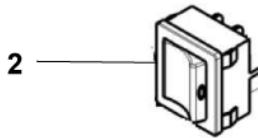
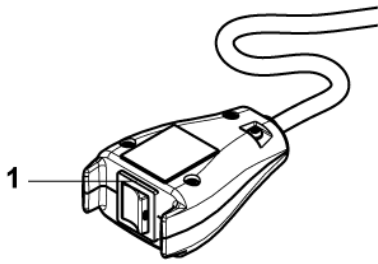
Electrical parts

GD 5, GD 10, GD 5 Battery

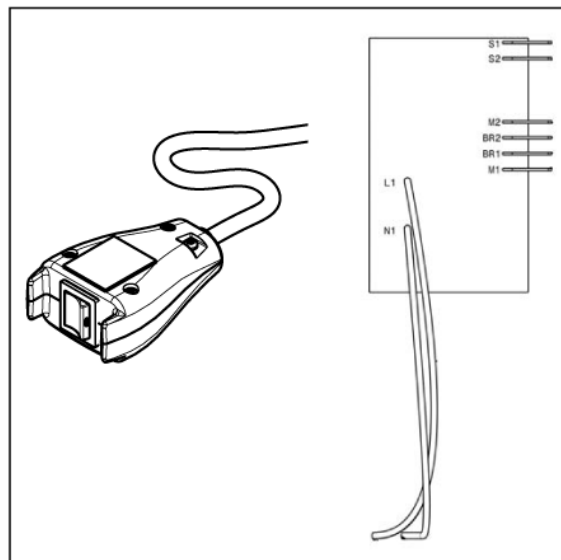
17-03-2015

ET-Liste-Nr. B10635

5



10



Electrical parts

GD 5, GD 10, GD 5 Battery

17-03-2015

ET-Liste-Nr. B10635

6

Pos	Artikelnr.	Me	Beschreibung	
1	107402274	1	SWITCH COMPLETE	TSB- Vac-2010-103
1	107404536	1	SWITCH COMPLETE	US, CN, TSB- Vac-2010-103
2	140 5496 510	1	Schalter UL KIT	
3	140 8497 530	1	ESB-Steckdose GD 5/10	
4	140 7035 500	1	Kabelführung-Kit	
5	12003803	1	CORD SET AU/NZ CPL. L 15M	
5	140 3608 700	1	Netzkabel UZ 964 US/TW Aeroplane	for GD5 Fly
5	140 6702 500	1	Netzleitung JP 15,5m	
5	147 0504 510	1	CORD SET CN 15M	
6	107402275	1	Elektronikkarte BOARD 220-240V	TSB- Vac-2010-103
6	107402276	1	CIRQUIT BOARD 100-120V	TSB- Vac-2010-103
6	107407331	1	CIRQUIT BOARD FOR GD5 FLY	for GD5 Fly, TSB- Vac-2010-103
7	140 7040 510	1	Kabel-Kit	
8	22156201	1	EXTENSION CORD EU KIT	
8	22156202	1	CORD CPL.UK KIT	
9	147 1346 500	1	ANTI STRAIN CLIP CPL.	
10	107402257	1	PCB CORD AND SWITCH KIT 120V	TSB- Vac-2010-103
10	107402258	1	Schalterkit 230V	TSB- Vac-2010-103
10	107404537	1	PCB CORD AND SWITCH KIT 120V	US, CN, TSB- Vac-2010-103
5B	140 8057 500	1	Stecker männlich	

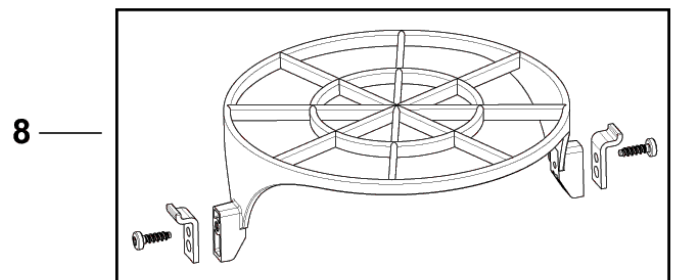
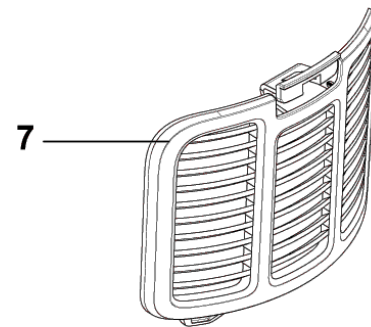
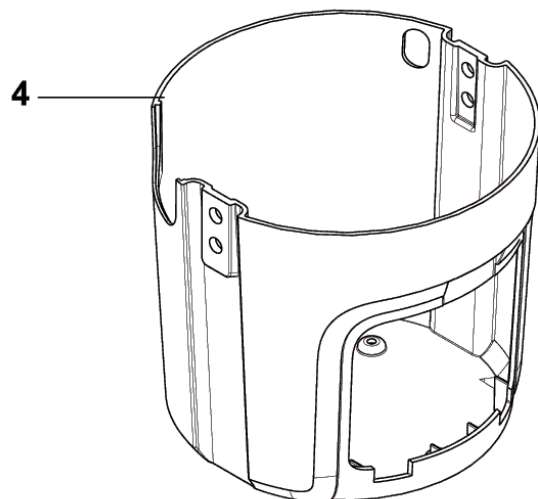
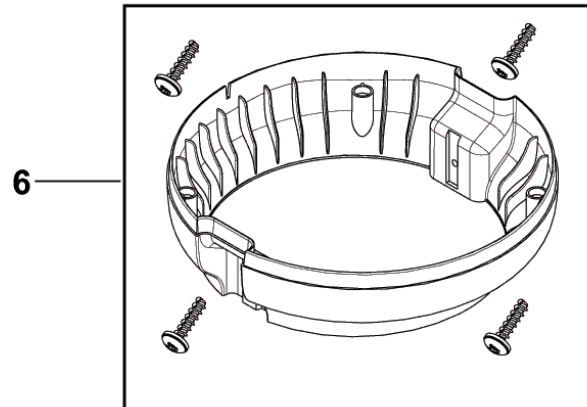
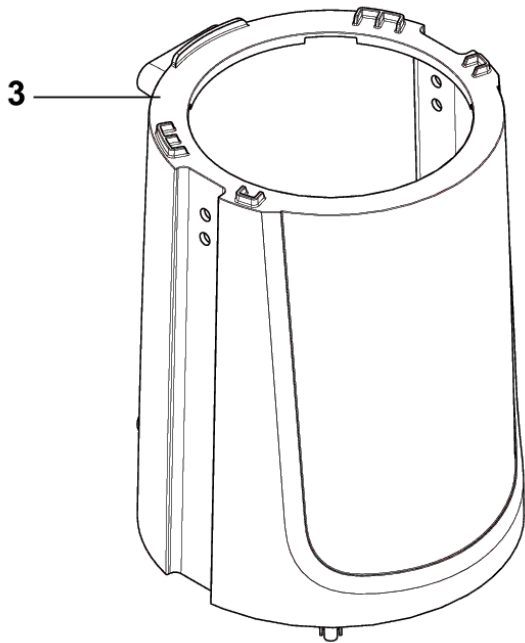
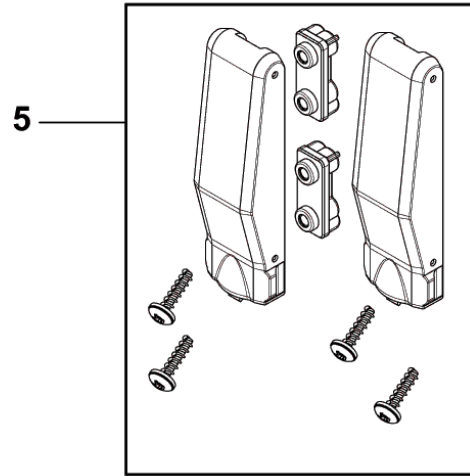
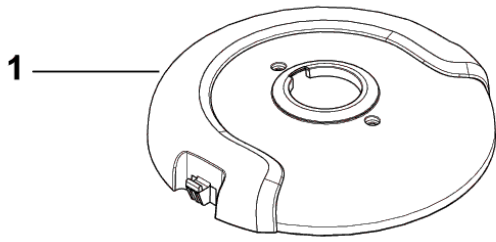
BEHÄLTER TEILE

GD 5, GD 10, GD 5 Battery

17-03-2015

ET-Liste-Nr. B10637

7



BEHÄLTER TEILE

GD 5, GD 10, GD 5 Battery

17-03-2015

ET-Liste-Nr. B10637

8

Pos	Artikelnr.	Me	Beschreibung
1	147 1077 500	1	Deckel für GD 5
1	147 1080 500	1	Deckel 10L, hellgrau
3	147 1076 500	1	Hartschale oben
3	147 1079 500	1	CONTAINER 10L LIGHT GREY
4	147 1075 500	1	Hartschale unten
4	147 1075 510	1	COVER OUTER DARK GREY 2 gaskets included
5	147 1101 500	1	Gurtkit GD 5 / 10
6	147 1078 500	1	ADAPTOR 10L LIGHT GREY
7	147 1082 500	1	Aussengitter GD 5 / 10
8	147 1115 500	1	BASKET SACK FILTER

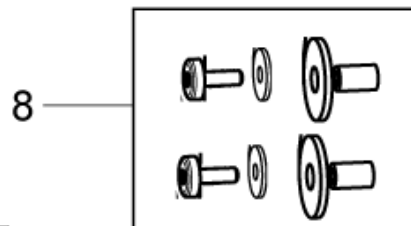
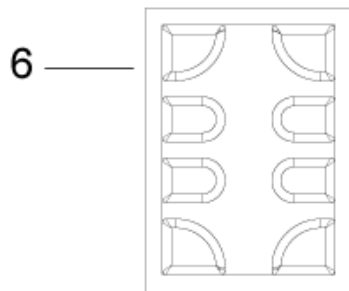
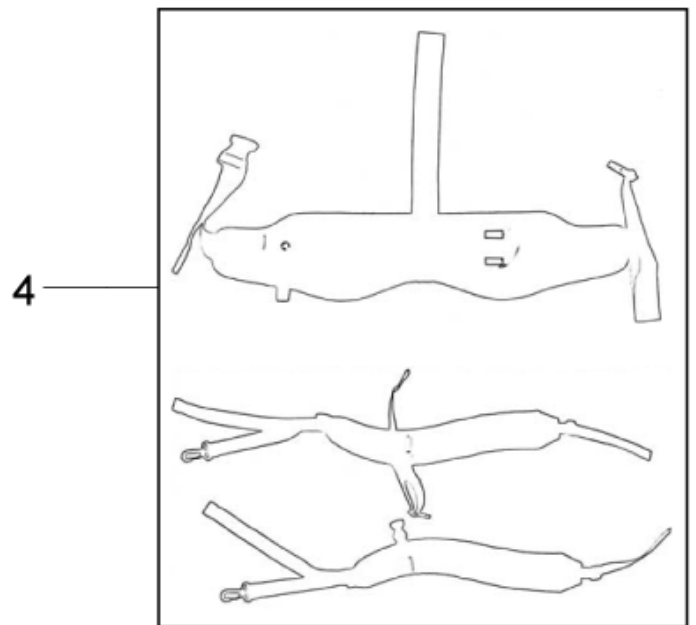
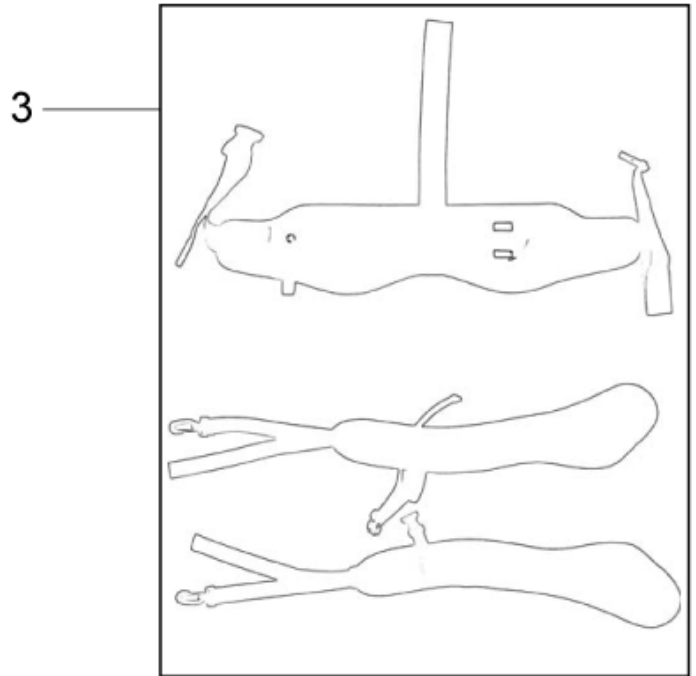
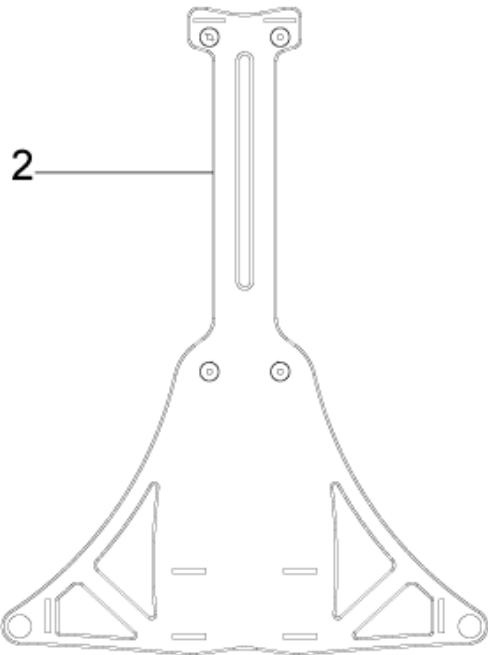
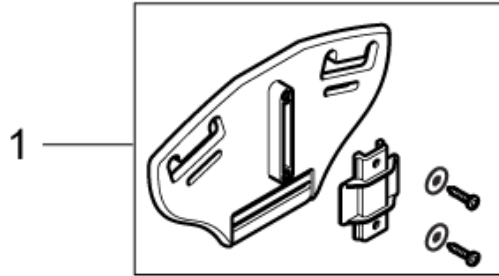
Straps parts

GD 5, GD 10, GD 5 Battery

17-03-2015

ET-Liste-Nr. B10639

9



Straps parts

GD 5, GD 10, GD 5 Battery

17-03-2015

ET-Liste-Nr. B10639

10

Pos	Artikelnr.	Me	Beschreibung
1	147 1092 500	1	Justierplatte
2	147 1091 500	1	Rückenplatte GD5/10 See note*
3	147 1246 500	1	HARNESS PREMIUM
3	147 1246 510	1	HARNESS PREMIUM CPL includes position 1,2, 5 & 6 also.
4	147 1090 500	1	Tragegurt Standard GD5/10
4	147 1090 510	1	Standardgurt kompl. GD 5 includes position 1,2, 5 & 6 also.
5	147 1247 500	1	Aufhängegurt GD 5
6	147 1248 500	1	PADDING BACK PLATE
7	147 1249 500	1	Gurt GD 5
8	147 1246 600	1	Schraubenkit GD 5

Note * Only to be used for machines produced after June 25th 2012. For older machines use 147 1246 510 or 147 1090 510

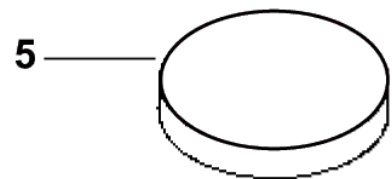
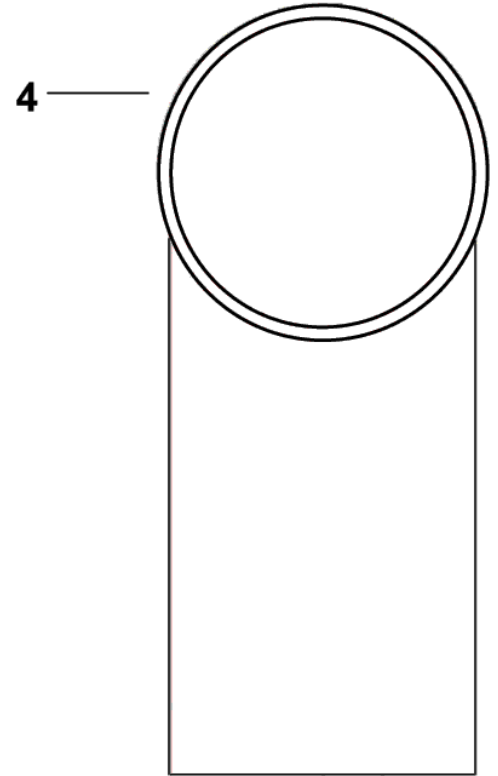
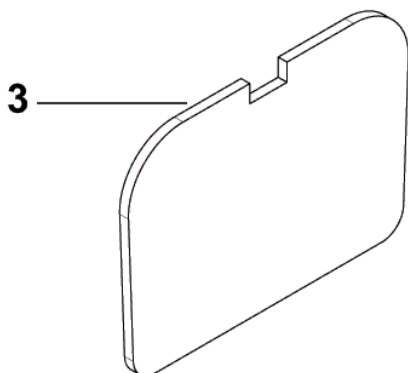
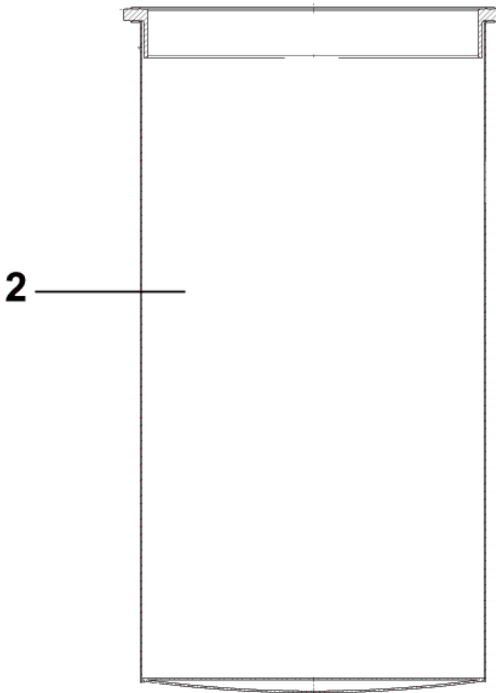
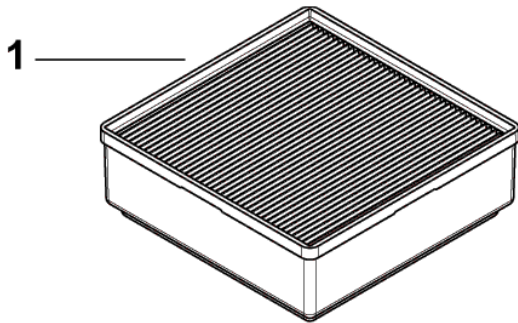
FILTER

GD 5, GD 10, GD 5 Battery

17-03-2015

ET-Liste-Nr. B106311

11



FILTER

GD 5, GD 10, GD 5 Battery

17-03-2015

ET-Liste-Nr. B106311

12

Pos	Artikelnr.	Me	Beschreibung	
1	147 1104 500	1	Hepa-Filter GD 5 / GD 10complet	
2	147 1099 500	1	Sackfilter GD10	
2	147 1100 500	1	Sack Filter GD 5	
3	147 1089 500	1	Ausblasfilter GD 5 / 10	
4	147 1097 500	1	Staubbeutel GD 10 / 10 ltPack à 5 Stück	1 Pre-filter included
4	147 1098 500	1	Staubbeutel GD 5Pack à 5 Stück	1 Pre-filter included
4	147 1497 500	1	DUST BAG WITH VALVE 5PCS	Only for JP
5	147 1095 500	1	Filter rund GD 5	Kit with 3 Pre-filters

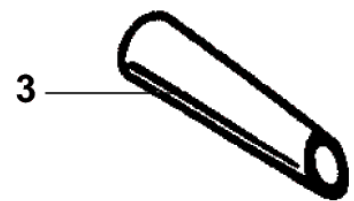
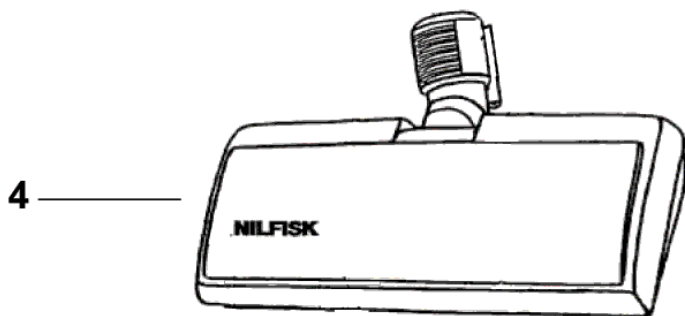
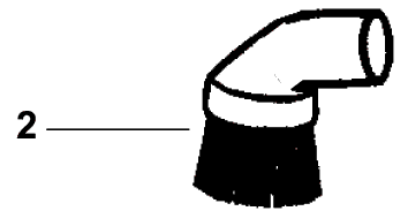
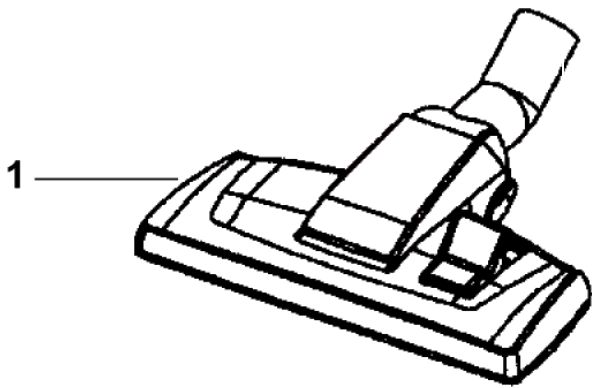
Nozzles 32 mm

GD 5, GD 10, GD 5 Battery

17-03-2015

ET-Liste-Nr. B106313

13



Nozzles 32 mm

GD 5, GD 10, GD 5 Battery

17-03-2015

ET-Liste-Nr. B106313

14

Pos	Artikelnr.	Me	Beschreibung
1	140 8492 520	1	Kombidüse D35/300 mit Parkclip
2	140 8244 500	1	BRUSH NOZZLE KIT
3	81140900	1	CREVICE NOZZLE KIT
4	147 0822 000	1	Kabel f. ESB Only cable for Nozzle
4	22203000	1	Elektrobürste GD 5/10

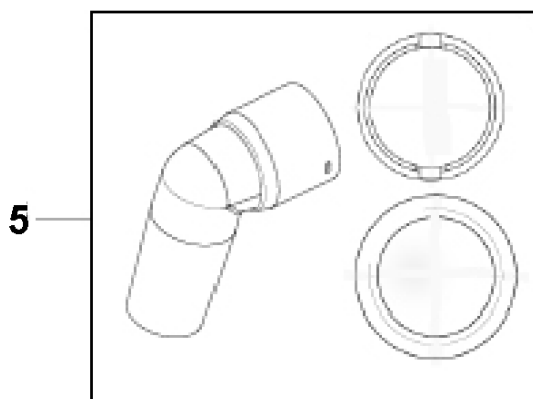
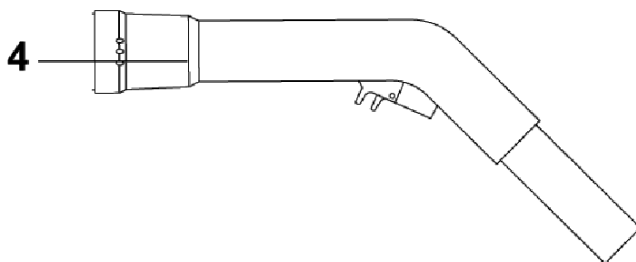
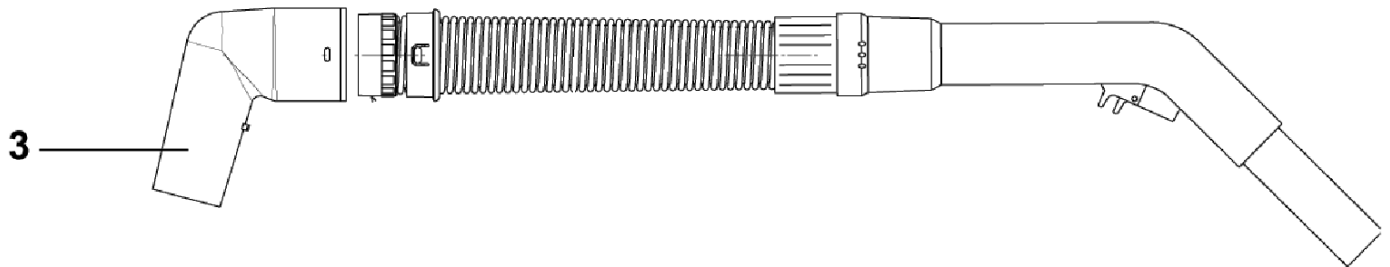
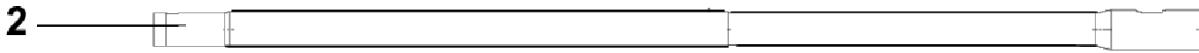
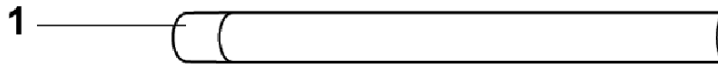
Tubes, hose 32 mm

GD 5, GD 10, GD 5 Battery

17-03-2015

ET-Liste-Nr. B106315

15



Tubes, hose 32 mm

GD 5, GD 10, GD 5 Battery

17-03-2015

ET-Liste-Nr. B106315

16

Pos	Artikelnr.	Me	Beschreibung
1	011 6431 500	1	EXTENSION TUBE, ALUMINIUM
2	011 8130 500	1	Teleskoprohr ALU
3	147 1236 500	1	Saugschlauch zu GD 5 / 10 D 32
4	140 7584 500	1	HOSE HANDLE CPL.
5	147 1085 500	1	Schlauchkupplung kompl.

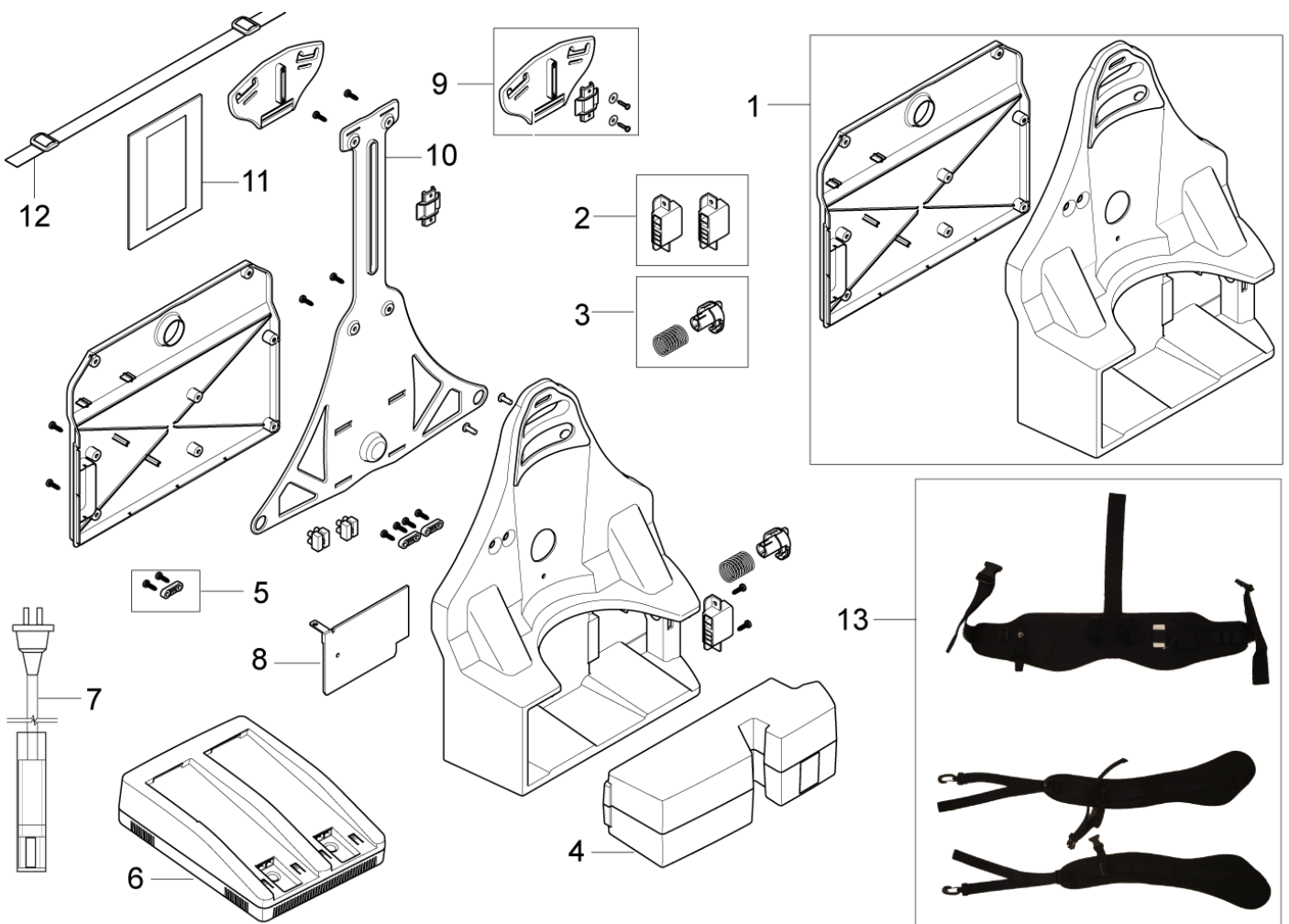
Übersicht

GD 5, GD 10, GD 5 Battery

17-03-2015

ET-Liste-Nr. GD502

17



Übersicht

GD 5, GD 10, GD 5 Battery

17-03-2015

ET-Liste-Nr. GD502

18

Pos	Artikelnr.	Me	Beschreibung
1	147 1442 500	1	Batteriegehäuse
2	147 1209 500	1	Steckergehäuse
3	147 1444 500	1	Batteriesicherung GD 5
4	147 1197 000	1	Batterie für GD 911+ GD 5 Battery
5	140 6560 500	1	ANTI STRAIN CLIP
6	147 1202 000	1	Ladegerät GD 911
7	147 1208 500	1	Ladenetzabel GD 911
7	147 1208 510	1	CORD CHARGER UK KIT
7	147 1208 520	1	CORD CHARGER AUS KIT
7	147 1208 530	1	CORD CHARGER US KIT
7	147 1208 540	1	CORD CHARGER JP KIT
8	147 1199 500	1	Schalttafel-Kit
9	147 1092 500	1	Justierplatte
10	147 1091 500	1	Rückenplatte GD5/10
			See Note *
11	147 1248 500	1	PADDING BACK PLATE
12	147 1247 500	1	Aufhängegurt GD 5
13	147 1246 500	1	HARNESS PREMIUM
13	147 1246 510	1	HARNESS PREMIUM CPL
			Includes pos. 9,10,11 and 12 also.
NS	147 1470 000	1	OUT BOX

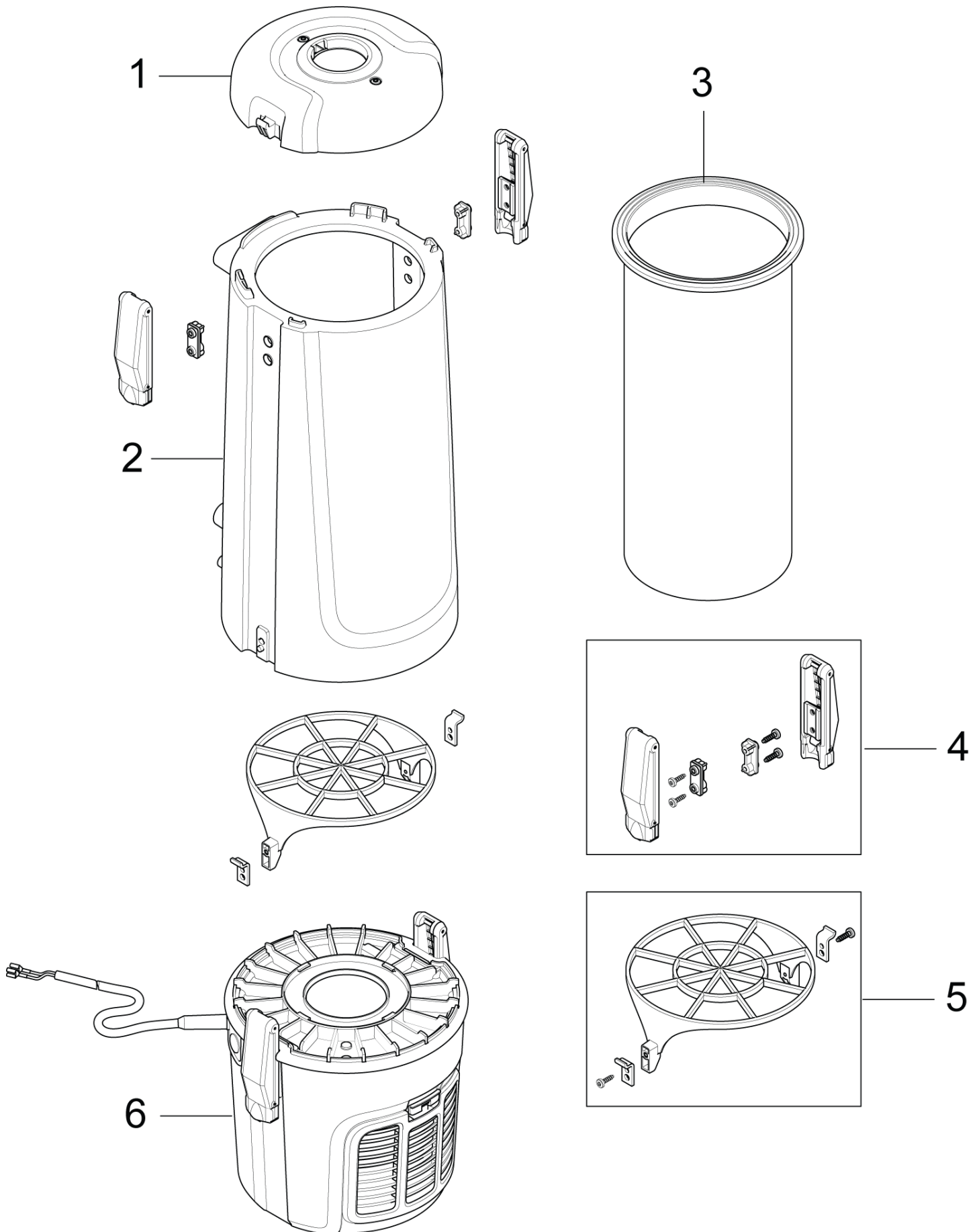
Container and filter parts - GD 5 Battery

GD 5, GD 10, GD 5 Battery

17-03-2015

ET-Liste-Nr. GD5B04

19



Container and filter parts - GD 5 Battery

GD 5, GD 10, GD 5 Battery

17-03-2015

ET-Liste-Nr. GD5B04

20

Pos	Artikelnr.	Me	Beschreibung
1	147 1077 500	1	Deckel für GD 5
1	147 1080 500	1	Deckel 10L, hellgrau
2	147 1076 500	1	Hartschale oben
2	147 1079 500	1	CONTAINER 10L LIGHT GREY
3	147 1099 500	1	Sackfilter GD10
3	147 1100 500	1	Sack Filter GD 5
4	147 1101 500	1	Gurtkit GD 5 / 10
5	147 1115 500	1	BASKET SACK FILTER
6		1	USE LINK Motor parts

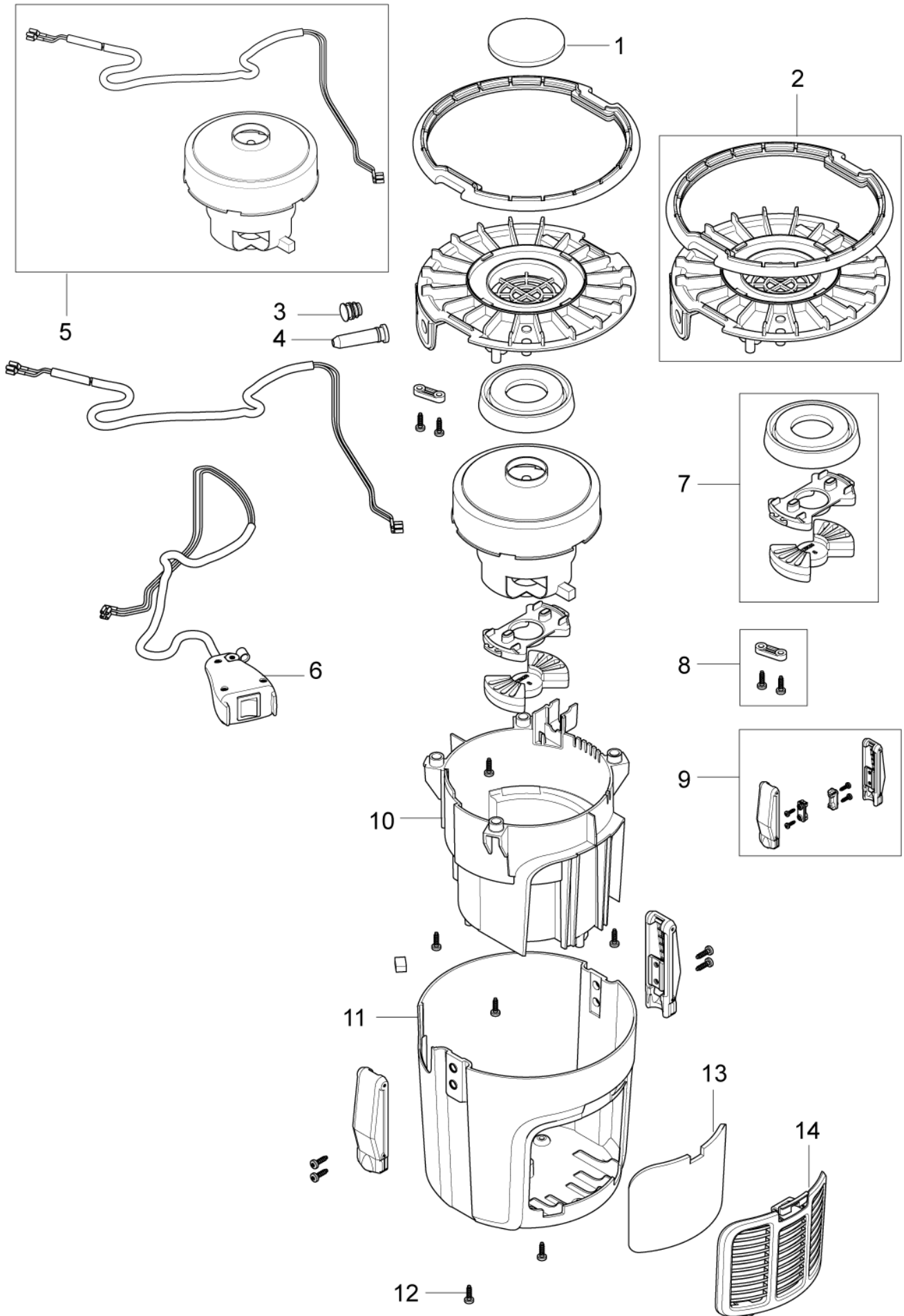
Motor parts and switch - GD 5 Battery

GD 5, GD 10, GD 5 Battery

17-03-2015

ET-Liste-Nr. GD5B06

21



Motor parts and switch - GD 5 Battery

GD 5, GD 10, GD 5 Battery

17-03-2015

ET-Liste-Nr. GD5B06

22

Pos	Artikelnr.	Me	Beschreibung
1	147 1095 500	1	Filter rund GD 5 Kit with 3 pcs.
2	147 1086 500	1	Chassis dunkelgrau
3	147 1472 000	1	RUBBER PLUG
4	093 1027 010	1	CABLE PROTECTION USA
5	147 1196 510	1	FAN UNIT 24V GD5 BATTERY
6	147 1105 510	1	Schalter kpl.
7	147 0560 500	1	MOTOR SUSPENSION KIT
8	140 6560 500	1	ANTI STRAIN CLIP
9	147 1101 500	1	Gurtkit GD 5 / 10
10	147 1088 500	1	Motorabdeckung
11	147 1075 500	1	Hartschale unten
12	140 9214 040	1	Schraube 40x14
13	147 1089 500	1	Ausblasfilter GD 5 / 10
14	147 1082 500	1	Aussengitter GD 5 / 10

Nozzles 32mm - GD 5 Battery

GD 5, GD 10, GD 5 Battery

17-03-2015

ET-Liste-Nr. GD5B08

23



1



2



3

Nozzles 32mm - GD 5 Battery

GD 5, GD 10, GD 5 Battery

17-03-2015

ET-Liste-Nr. GD5B08

24

Pos	Artikelnr.	Me	Beschreibung
1	140 8492 520	1	Kombidüse D35/300 mit Parkclip
2	140 8244 500	1	BRUSH NOZZLE KIT
3	147 0146 500	1	CREVICE NOZZLE D32 L153 B
3	22302100	1	CREVICE NOZZLE BLACK
3	81140900	1	CREVICE NOZZLE KIT Grey

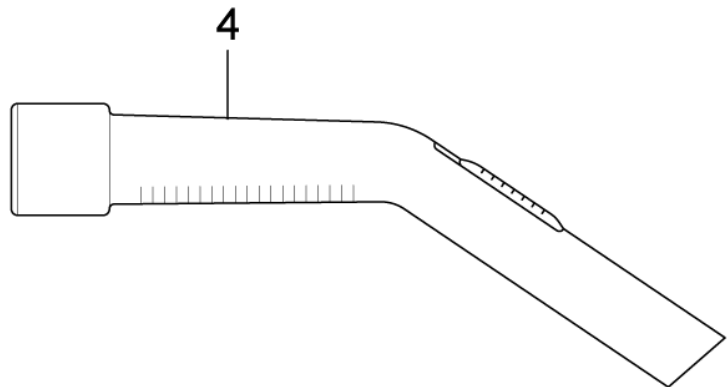
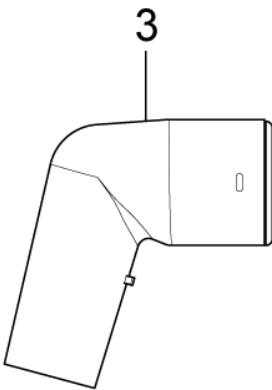
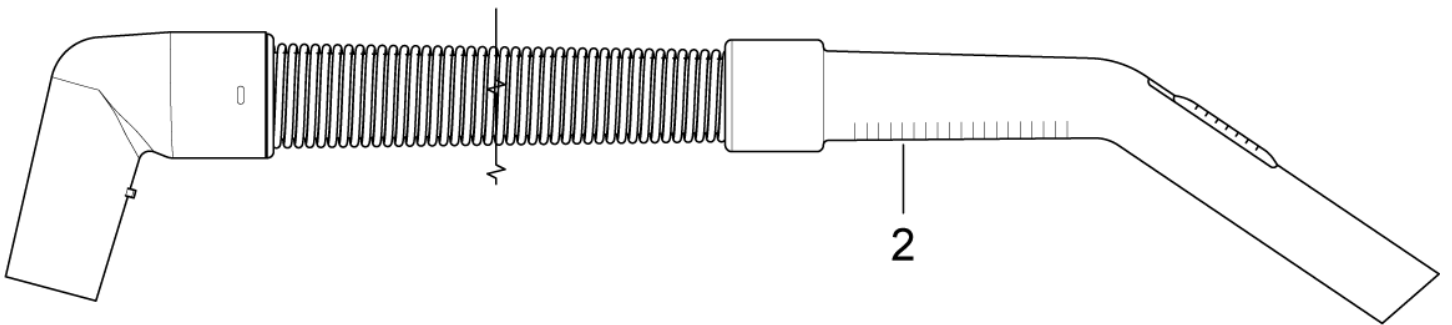
Tube and hose 32mm - GD 5 Battery

GD 5, GD 10, GD 5 Battery

17-03-2015

ET-Liste-Nr. GD5B10

25



Tube and hose 32mm - GD 5 Battery

GD 5, GD 10, GD 5 Battery

17-03-2015

ET-Liste-Nr. GD5B10

26

Pos	Artikelnr.	Me	Beschreibung
1	140 8246 040	1	HandrohrStahl 32x500 mm
2	147 1449 500	1	Schlauch AntistatischConcal cpl. per Met
3	147 1085 500	1	Schlauchkupplung kompl.
4	107402631	1	BENT END PLASTIC TUBE BLACK

EMPFOHLENE ERSATZTEILE

GD 5, GD 10, GD 5 Battery

17-03-2015

ET-Liste-Nr.

GD5B12

27

Keine Zeichnung zur ET-Liste

EMPFOHLENE ERSATZTEILE

GD 5, GD 10, GD 5 Battery

17-03-2015

ET-Liste-Nr. GD5B12

28

Pos	Artikelnr.	Me	Beschreibung	
1	107402274	1	SWITCH COMPLETE	
1	107402275	1	Elektronikkarte BOARD 220-240V	
1	107402276	1	CIRQUIT BOARD 100-120V	
1	107407330	1	Motor115V 400HZFOR GD5FLY	Only for GD 5 Fly
1	107407331	1	CIRQUIT BOARD FOR GD5 FLY	Only for GD 5 Fly
1	12003803	1	CORD SET AU/NZ CPL. L 15M	
1	140 5496 510	1	Schalter UL KIT	
1	140 6702 500	1	Netzleitung JP 15,5m	
1	140 8497 530	1	ESB-Steckdose GD 5/10	
1	147 0504 510	1	CORD SET CN 15M	
1	147 0560 500	1	MOTOR SUSPENSION KIT	
1	147 1075 510	1	COVER OUTER DARK GREY	
1	147 1085 500	1	Schlauchkupplung kompl.	
1	147 1086 500	1	Chassis dunkelgrau	
1	147 1089 500	1	Ausblasfilter GD 5 / 10	
1	147 1090 500	1	Tragegurt Standard GD5/10	
1	147 1090 510	1	Standardgurt kompl. GD 5	+ 2
1	147 1091 500	1	Rückenplatte GD5/10	See note
1	147 1092 500	1	Justierplatte	
1	147 1095 500	1	Filter rund GD 5	KIT WITH 3 PRE-FILTERS
1	147 1099 500	1	Sackfilter GD10	
1	147 1100 500	1	Sack Filter GD 5	
1	147 1101 500	1	Gurtkit GD 5 / 10	
1	147 1104 500	1	Hepa-Filter GD 5 / GD 10complet	
1	147 1105 510	1	Schalter kpl.	
1	147 1109 500	1	FAN UNIT 100-120V 1300W	
1	147 1109 510	1	Motor 220-240 V 1300 WGD 5 / GD 10	
1	147 1111 500	1	Motoraufhängung	
1	147 1115 500	1	BASKET SACK FILTER	
1	147 1196 510	1	FAN UNIT 24V GD5 BATTERY	
1	147 1197 000	1	Batterie für GD 911+ GD 5 Battery	
1	147 1199 500	1	Schalttafel-Kit	
1	147 1202 000	1	Ladegerät GD 911	
1	147 1208 500	1	Ladenetzkabel GD 911	
1	147 1208 510	1	CORD CHARGER UK KIT	
1	147 1208 520	1	CORD CHARGER AUS KIT	
1	147 1208 530	1	CORD CHARGER US KIT	
1	147 1208 540	1	CORD CHARGER JP KIT	
1	147 1209 500	1	Steckergehäuse	
1	147 1236 500	1	Saugschlauch zu GD 5 / 10 D 32	
1	147 1246 500	1	HARNESS PREMIUM	
1	147 1246 600	1	Schraubenkit GD 5	
1	147 1247 500	1	Aufhängegurt GD 5	

Note * Only to be used for machines produced after June 25th 2012. For older machines use 147 1246 510 or 147 1090 510

EMPFOHLENE ERSATZTEILE

GD 5, GD 10, GD 5 Battery

17-03-2015

ET-Liste-Nr. GD5B12

29

Pos	Artikelnr.	Me	Beschreibung
1	147 1444 500	1	Batteriesicherung GD 5
1	147 1449 500	1	Schlauch AntistatischConcal cpl. per Met
1	22156201	1	EXTENSION CORD EU KIT
1	22156202	1	CORD CPL.UK KIT

Note * Only to be used for machines produced after June 25th 2012. For older machines use 147 1246 510 or 147 1090 510