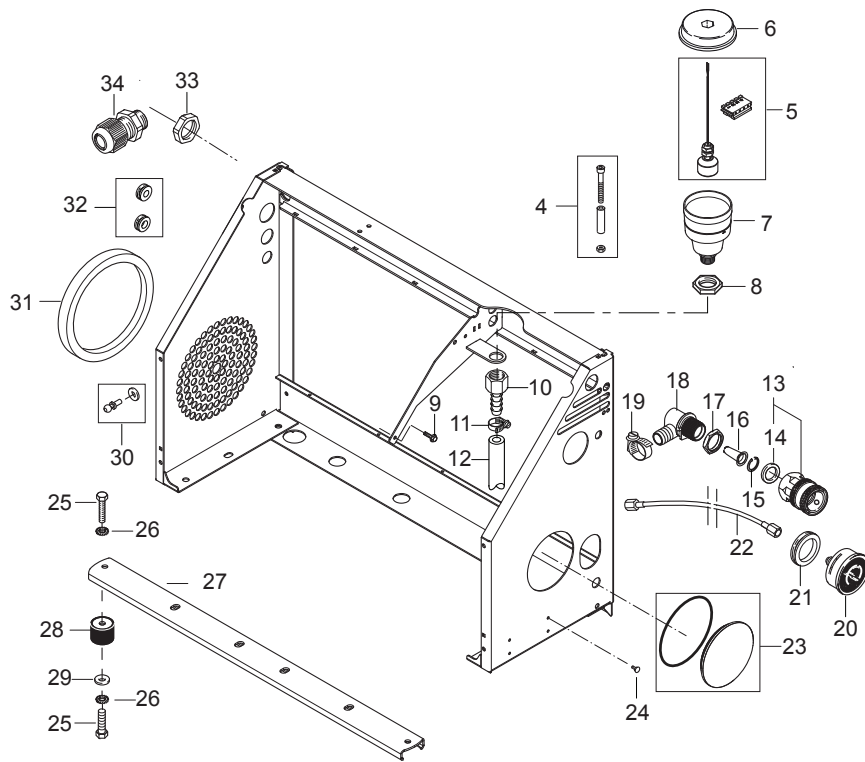
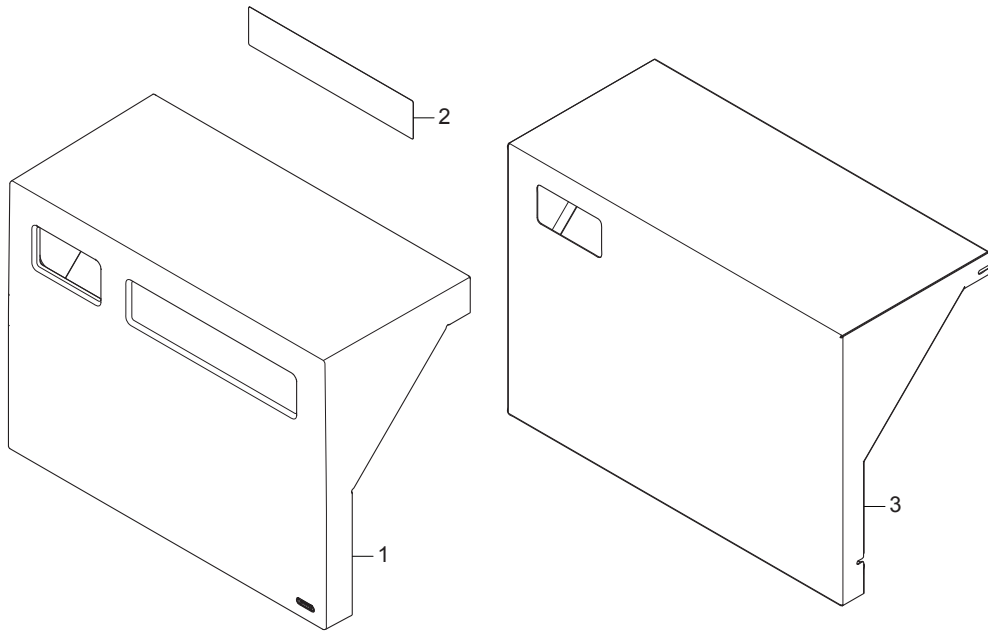


PARTS LIST

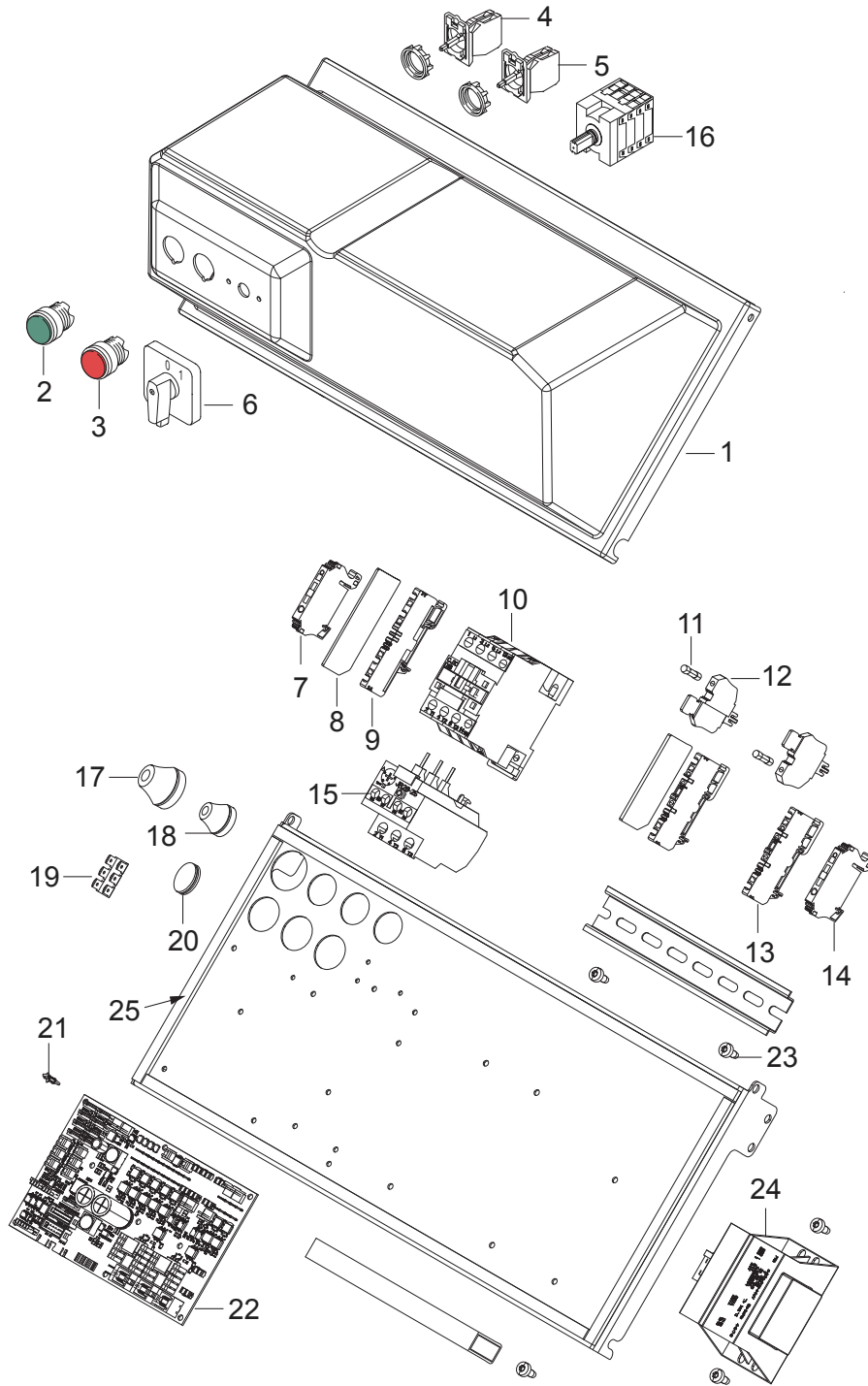


TABLE OF CONTENTS

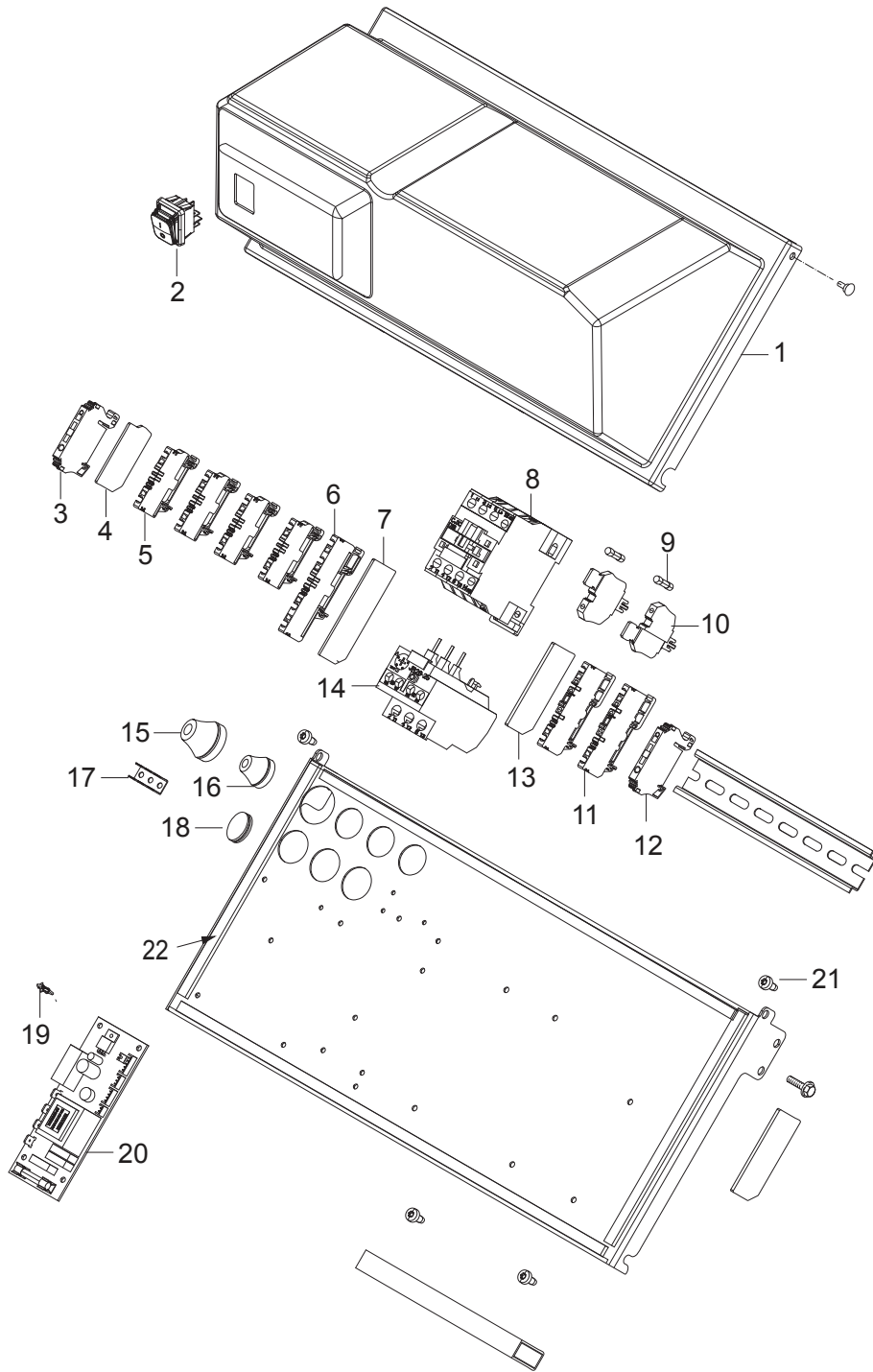
Overview_UNO.....	1
EI-box_UNO.....	3
EI-box L_UNO.....	5
Motor pump.....	7
Cylinder head.....	9
Unloader PA.....	11
Default accessories.....	13



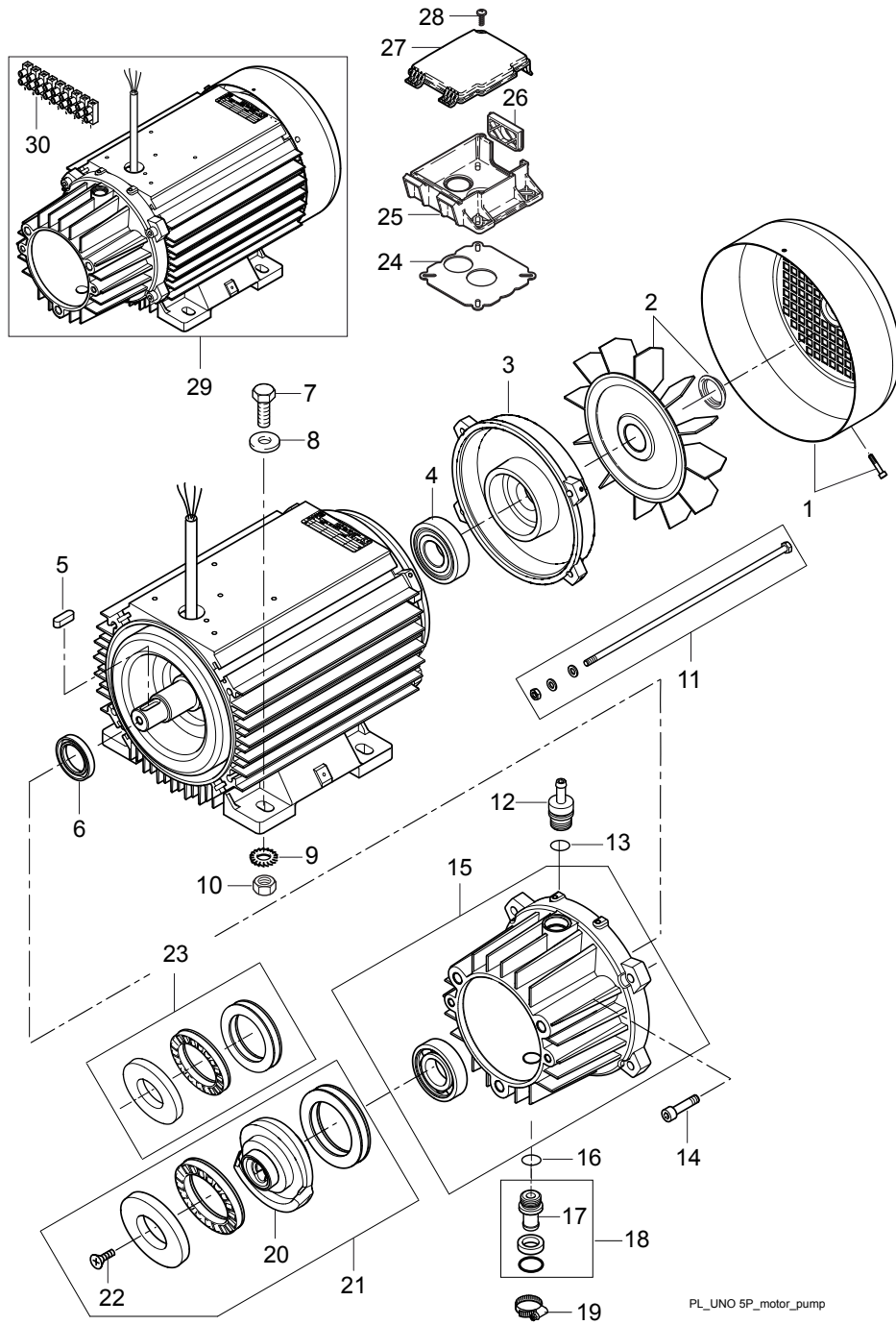
No.	Part No.	Qty.	Description	Part Note
1	107307349	1	CABINET EPP	
2	107307351	1	FRONTLABEL	
3	107307352	1	CABINET SS. UNO	
4	101118162	1	SCREW KIT FOR CABINET EPP UNO/DUO	
5	101118173	1	OIL SENSOR W/PLUG KIT UNO/DUO	
6	301000615	1	COVER Ø70X15.5	
7	301000614	1	PUMP OIL CONTAINER Ø66.8X84	
8	101609356	1	NUT 1/2IN	
9	106268067	4	SCREW KIT	
10	107307313	1	HOSESTUD D10X3/8	
11	1805100	1	HOSE CLIP 8-22MM	
12	106408242	1	HOSE 5/8INCH - 2 METERS	
13	1602945	1	QUICK COUPLING 3/4 W/GASKET	
14	3001237	1	GASKET Ø24.5XØ16X3 NITRIL 80SH	
15	107141667	1	LOCK WASHER	
16	101117926	1	FILTER	
17	1800341	1	LOCK NUT 3/4IN	
18	107141669	1	WATER INLET PIPE C3	
19	8298	1	HOSE CLIP 16-27	
20	107141648	1	MANOMETER 0-300 BAR	
21	103004331	1	SLEEVE PVC 45/ 60	
22	107307316	1	MANOMETER HOSE DN2. COMPLETE	
23	101118165	2	PLUG + O-RING KIT FOR FRAME UNO/DUO	
24	107307314	4	SNAP RIVET D12/D6	
25	1810266	8	SCREW M8X12 A2 DIN933	
26	1810274	8	WASHER M8 - DIN 6798J	
27	107307311	1	PROFIL M/P	
27	107307312	1	PROFIL M/P SS	
28	107307309	4	GUMMI METAL BUFFER D30X30	
29	1802917	4	WASHER M8 Ø8.4X18X1 A2 DIN125	
30	101118164	1	PINS KIT FOR CABINET EPP UNO/DUO	
31	107307310	1	SEALING FOR MOTOR	
32	101118163	1	BLANKING PLUGS KIT FOR FRAME UNO/DU	
33	909100021	1	HEXAGON NUT M32X1.5	
34	103821837	1	CABLE BUSHING M32X1.5	



No.	Part No.	Qty.	Description	Part Note
1	107307319	1	E-BOX COVER UNO/DUO	
2	103821823	1	GREEN START PUSH BUTTON	
3	103821824	1	RED STOP PUSH BUTTON	
4	103821825	1	START SWITCH/LIGHT BLOCK NO CONTACT	
5	103821826	1	STOP SWITCH/LIGHT BLOCK NC CONTACT	
6	103821849	1	HANDLE F SWITCHING CONTACT UNO	
7	107307325	1	END PLATE PAP 2.5/4/4AN	
8	107307321	3	END PLATE PAP - PTR 2.5/4	
9	107307324	2	TERMINAL BLOCK PDU 2.5/4/4AN	
10	103822306	1	CONTACTOR CJX2-D18 18A 24V 3P+NO	
10	103822313	1	CONTACTOR CJX2-D25 25A 24V 3P+NO/US	
10	103822317	1	CONTACTOR CJX2-D32 32A 24V 3P+NO	
11	107307323	2	FUSE D5X20 0.63A T 250V	
12	107307322	2	FUSE PLUG - SIHA 3/G20 - PTR 2.5/4	
13	107318227	2	TEST TERMINAL PUSH-IN P-SER. PTR 2.5/4	
14	107318193	2	END BRACKET FOR DIN-RAIL	
15	103822327	2	THERMAL RELAY 12-18AMP	
15	103822328	2	THERMAL RELAY 17-25AMP	
15	103822329	2	THERMAL RELAY 23-32AMP	
16	103821839	1	SWITCHING CONTACT UNO	
17	3803798	1	RUBBER SEAL 14-20C	
18	3803780	3	GROMMET 10-14C	
19	107307326	1	EARTH CONNECTOR 6 PIN	
20	107307317	1	DIAPHRAGM GROMMENTS D30/D20.5	
21	107307320	8	MINIATURE DOUBLE LOCKING. 7MM/3.5MM	
22	107307327	1	PCBA NEO PLATFORM 13 SC UNO/DUO	
23	107141690	6	SCREW M5X12 DIN7985 TORX TAPTITE	
24	107307331	1	TRAFO 40VA PR 230-400-440.SEC1+2 24VAC	
25	107307330	1	DAFACELL 4X8MM ADHESIVE	
30	101118167	1	VARIOUS WIRES KIT FOR E-BOX UNO 400/3/50	
30	101118168	1	VARIOUS WIRES KIT FOR E-BOX UNO L 400/3/	
30	101118169	1	VARIOUS WIRES KIT FOR E-BOX UNO 440/3/60	
30	101118170	1	VARIOUS WIRES KIT FOR E-BOX DUO 400/3/50	
30	101118171	1	VARIOUS WIRES KIT FOR E-BOX DUO 440/3/60	
31		1	Power cord H07RN-F 4G2.5	
31		1	Power cord H07RN-F 4G6	
31		1	Power cord H07RN-F 4G10	
32	101118172	1	MOTORCABLES KIT FOR UNO/DUO	
33	107307329	1	PCBA HOUR COUNTER DISPLAY	



No.	Part No.	Qty.	Description	Part Note
1	107307318	1	E-BOX COVER UNO 5M-L	
2	107404540	1	SWITCH 0-1 DOUBLE POLE SET	
3	107318193	1	END BRACKET FOR DIN-RAIL	
4	107307354	1	END PLATE PAP 2.5/4	
5	107307355	4	TERMINAL BLOCK PDU 2.5/4	
6	107307324	1	TERMINAL BLOCK PDU 2.5/4/4AN	
7	107307325	1	END PLATE PAP 2.5/4/4AN	
8	103822303	1	CONTACTOR CJX2-D18 18A 400V 3P+NO	
9	107307322	2	FUSE PLUG - SIHA 3/G20 - PTR 2.5/4	
10	107307323	2	FUSE D5X20 0.63A T 250V	
11	107318227	2	TEST TERMINAL PUSH-IN P-SER. PTR 2.5/4	
12	107318193	2	END BRACKET FOR DIN-RAIL	
13	107307321	3	END PLATE PAP - PTR 2.5/4	
14	103822327	2	THERMAL RELAY 12-18AMP	
15	3803798	1	RUBBER SEAL 14-20C	
16	3803780	3	GROMMET 10-14C	
17	107307326	1	EARTH CONNECTOR 6 PIN	
18	107307317	1	DIAPHRAGM GROMMENTS D30/D20.5	
19	107307320	4	MINIATURE DOUBLE LOCKING. 7MM/3.5MM	
20	107141666	1	PCB POSEIDON 5-6-7	
21	107141690	6	SCREW M5X12 DIN7985 TORX TAPTITE	
22	107307330	1	DAFACELL 4X8MM ADHESIVE	
30	101118167	1	VARIOUS WIRES KIT FOR E-BOX UNO 400/3/50	
30	101118168	1	VARIOUS WIRES KIT FOR E-BOX UNO L 400/3/	
30	101118169	1	VARIOUS WIRES KIT FOR E-BOX UNO 440/3/60	
30	101118170	1	VARIOUS WIRES KIT FOR E-BOX DUO 400/3/50	
30	101118171	1	VARIOUS WIRES KIT FOR E-BOX DUO 440/3/60	
31		1	Power cord H07RN-F 4G2.5	
31		1	Power cord H07RN-F 4G6	
31		1	Power cord H07RN-F 4G10	
32	101118172	1	MOTORCABLES KIT FOR UNO/DUO	



PL_UNO_5P_motor_pump

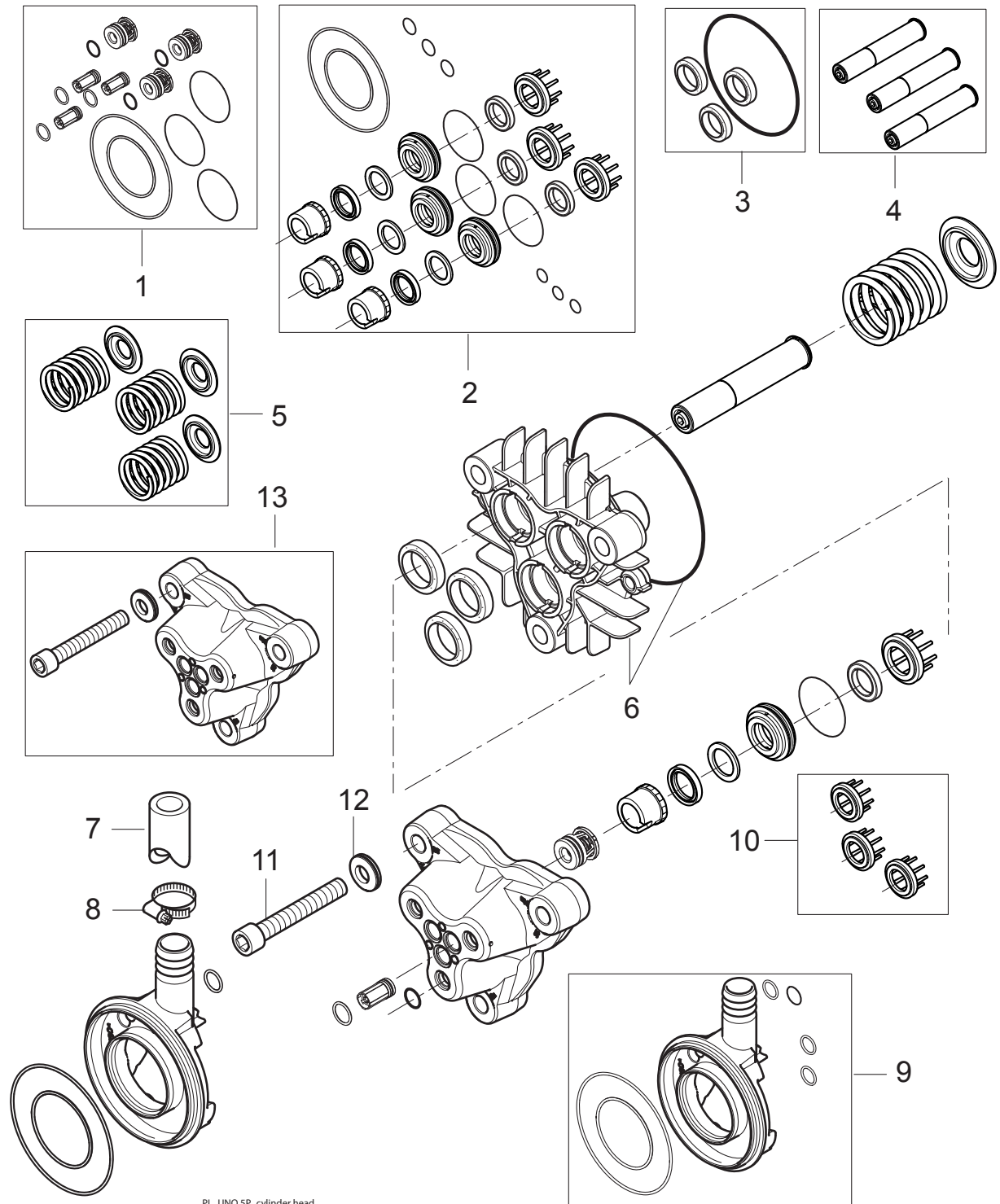
MOTOR PUMP

SC UNO 5M-200/1150

2015.04.15

2015.05.05

No.	Part No.	Qty.	Description	Part Note
0	107144146	1	PUMP OIL NA5 1X1 LITER BOTTLE	
0	5218433	1	PUMP OIL 150 1X1L	
1	107144126	1	FAN COVER RF	
2	107144125	1	FAN W LOCK RING RF	
3	31000148	1	REAR BEARING COVER RF	
4	31000149	1	REAR BEARING 6306 2Z C3 150 DEGREES RF	
5	19639	1	PARALLEL KEY 8X7X25 A DIN 6885 S1	
6	G120414	1	OIL SEALING RING Ø30XØ47X7	
7	8927	7	HEXAGON HEAD CAP SCREW M10X 35 ISO 4017	
8	107307315	4	PLAIN WASHER 10.5X22X1.25	
9	10204	4	SERRATED LOCK WASHER A10	
10	1800465	4	NUT M10 DIN 934	
11	31000505	1	STAY BOLT M8X290 RF	
11	31000504	1	STAY BOLT M8X265 RF	
12	106268022	1	HOSE TAIL KIT	
13	107140882	1	O-RING 15.0 X 3.0 SMS 1586 NBR70	
14	2751	4	HEX. SCREW M8X35 ISO 4017 ZN	
15	107141967	1	D-BEARING COVER COMPLETE NA5.2	
16	3004221	1	O-RING 16X2 NITRIL 70 SHORE	
17	106268023	1	HOSE TAIL OIL KIT	
18	101118174	1	FITTING FOR OIL KIT FOR NA5.2 PA	
19	1805100	1	HOSE CLIP 8-22MM	
20	107141965	1	WOBBLE DISC 10.9 DEG. NA5.2	
21	107141972	1	WOBBLE DISC 10.9 DEG. BEARING KIT NA5.2	
22	107141502	1	SCREW M8 X 20 DIN 7991	
23	101118081	1	BEARING KIT NA5 FA PA	
24	301000845	1	GASKET FOR ELECTRIC BOX 100.50X114X1MM N	
25	301000781	1	ELECTRIC BOX	
26	17106	1	INSET	
27	301000782	1	COVER ELEC.BOX 128.2X112.	
28	10028	1	SCREW KA50X14 WN1411	
29	107141954	1	MOTOR 5.5 KW 220/230-400/440/3/50/60 EU	



PL_UNO SP_cylinder head

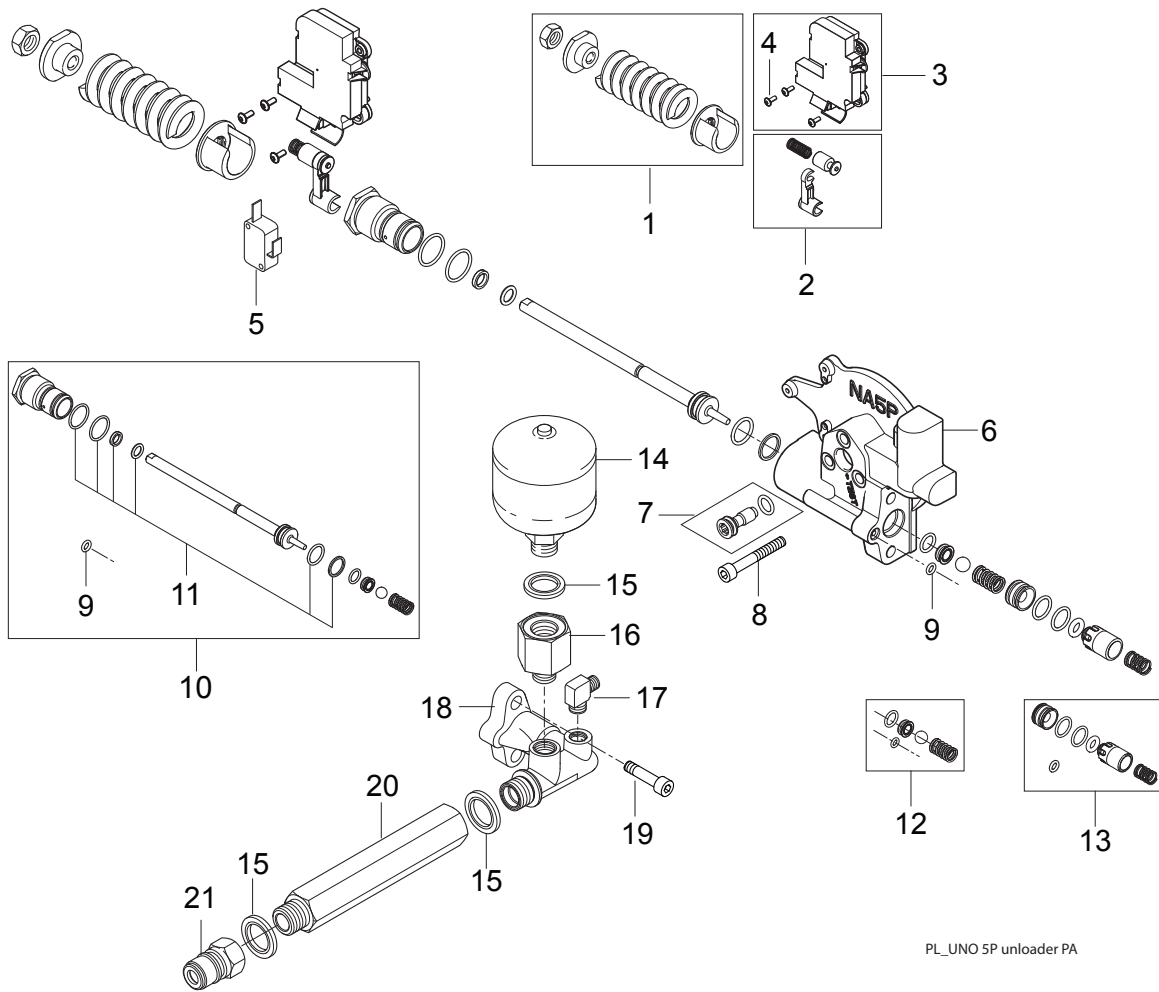
CYLINDER HEAD

SC UNO 5M-200/1150

2015.03.13

2015.04.27

No.	Part No.	Qty.	Description	Part Note
1	101118121	1	VALVE KIT - NA5	
2	101118123	1	WATER SEAL KIT W/NEW SUPPORT RING - NA5	
3	107144102	1	OIL SEAL KIT - NA5	
4	107144103	1	PISTON KIT - NA5	
5	107144104	1	SPRING KIT - NA5	
6	107141983	1	CYLINDER BLOCK W/O-RING NA5.2	
7	107307337	1	HOSE 3/4INCH GREY MULTIFLEX AIR 20	
8	8298	2	HOSE CLIP 16-27	
9	101118078	1	WATER INLET KIT FOR NA5	
10	107140919	1	SUPPORT RING NA5 SPARE VPE 3	
11	107141968	3	CYL.SCREW M12X80 WITH NORDLOCK WASHER	
12	107141969	3	WASHER NLX12SP ?12.5X?19.5X3.5MM	
13	107141985	1	CYLINDER HEAD NA5.2 W. SCREWS & WASHERS	
14	107141512	1	O-RING D114 X D1.78 NBR 72	
15	4042	2	CYLINDER SCREW M8X40 ISO 4762 8.8 ZN	
16	101118080	1	SEAL KIT FOR WATER INLET FOR NA5 FA PA	



PL_UNO 5P unloader PA

No.	Part No.	Qty.	Description	Part Note
1	101118091	1	UNLOADER SPRING REP. KIT-PAINTED NA5 PA	
2	101118090	1	MICROSW. ACTIVATION REP. KIT NA5 PA	
3	101118084	1	MICROSWITCH BOX W/O MICROSW. NA5 PA	
4	107141515	3	SCREW M3X8 ISO7380 FZG TORX 10	
5	301002754	1	MICRO-SWITCH	
6	107140932	1	UNLOADER PA NA5 W/O WATERREG./DETERG.	
7	107144137	1	UNLOADER PLUG NA5	
8	5100	3	SCREW M6X45 ISO 4762	
9	107141514	1	O-RING D4 X D1.5 NBR 90	
10	101118082	1	STEM PLUS SEALING REP. KIT NA5 PA	
11	101118083	1	SEAL KIT FOR STEM FOR NA5 PA	
12	101118088	1	BYPASS VALVE REP. KIT NA5 PA	
13	101118120	1	HOLDING PRESSURE VALVE KIT NA5 PA -UK AU	
13	101118087	1	HOLDING PRESS. VALVE REP. KIT NA5 PA	
14	63090	1	PRESSURE ACCUMULATOR 250 BAR	
15	1801075	3	PACKING RING 23.8X17.2X2 3/8 INCH SI-NBR	
16	107307334	1	FITTING FOR ACCUMULATOR	
17	101609393	1	V-CONNECTION 6 1/8	
18	107307335	1	OUTLET FITTING	
19	8894	2	SCREW DIN 912 M8 X 20 8.8 FZB	
20	106268117	1	FITTING FOR OUTLET	
21	1600493	1	Nippel F. Q-COUPL. 3/8 INCH	
21	1603101	1	NIPPLE F/QUICK COULING 3/8 SS	

**No
Diagram
Available**

**Parts List
Only**

DEFAULT ACCESSORIES

SC UNO 5M-200/1150

2013.12.13

2015.05.19

No.	Part No.	Qty.	Description	Part Note
1	106403122	1	ERGO 2000 STANDARD W. HOSE SWIVEL	[1]
2	101405770	1	HOSE DN8 10M 2W W. ERGO FEMALE COUPL	[2]
3	106403010	1	TORNADO PLUS 1120 BEND W/O NOZZLE	[3]
4	101119741	1	NOZZLE 0500 INDICATION RING YELLOW	

Part Notes:

- [1] - ERGO 2000 Spray handle
- [2] - HOSES Overview
- [3] - TORNADO PLUS lance

