

SCRUBTEC 343.2 B

Model:
SCRUBTEC 343.2 B
ALT



Stückliste Deutsch

04-11-2014

Nilfisk
ALTO
works for you

www.nilfisk-alto.com

Inhalt

SCRUBTEC 343.2 B

GENERAL SYSTEM	3
FRISCHWASSERSYSTEM	5
FILTER AND WHEELS SYSTEM	7
SCHMUTZWASSERSYSTEM	9
HANDLE AND DASHBOARD SYSTEM	11
SQUEEGEE AND LIFT SYSTEM	13
Bürstensystem	15
VERDRATUNGSSYSTEM	17
Zubehör	19
EMPFOHLENE ERSATZTEILE	21

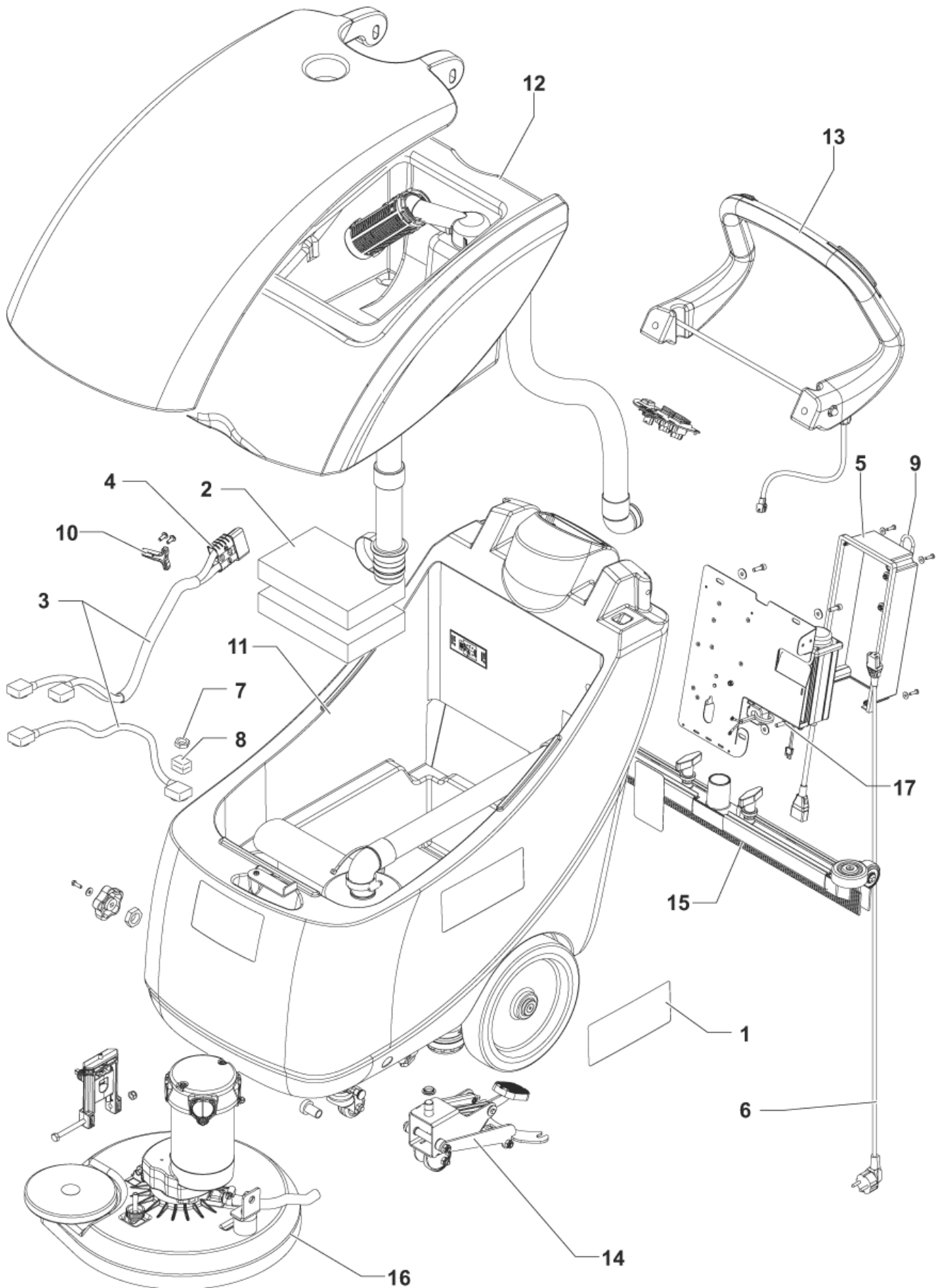
GENERAL SYSTEM

SCRUBTEC 343.2 B

04-11-2014

ET-Liste-Nr.
SCR3432B000

3



GENERAL SYSTEM

SCRUBTEC 343.2 B

04-11-2014

ET-Liste-Nr.
SCR3432B000

4

Pos	Artikelnr.	Me	Beschreibung
1	9099777000	1	DECALS SCRUBTEC 343.2 KIT
2	L08812670	2	Batterievorspannung f. BA600S/650S/750S
3	9099105000	1	HARNESS BATTERY
4	9098761000	1	Stecker 50A ROT
5	9099762000	1	Abdeckung
6	909 5633 000	1	CABLE EXTENSION
7	9099757000	1	NUT INSULATING
8	9099756000	1	Sicherung 125A
9	909 5149 000	1	Kabelführung
10	1464116000	1	Handgriff
11		1	USE LINK
12		1	USE LINK
13		1	USE LINK
14		1	USE LINK
15		1	USE LINK
16		1	USE LINK
17		1	USE LINK

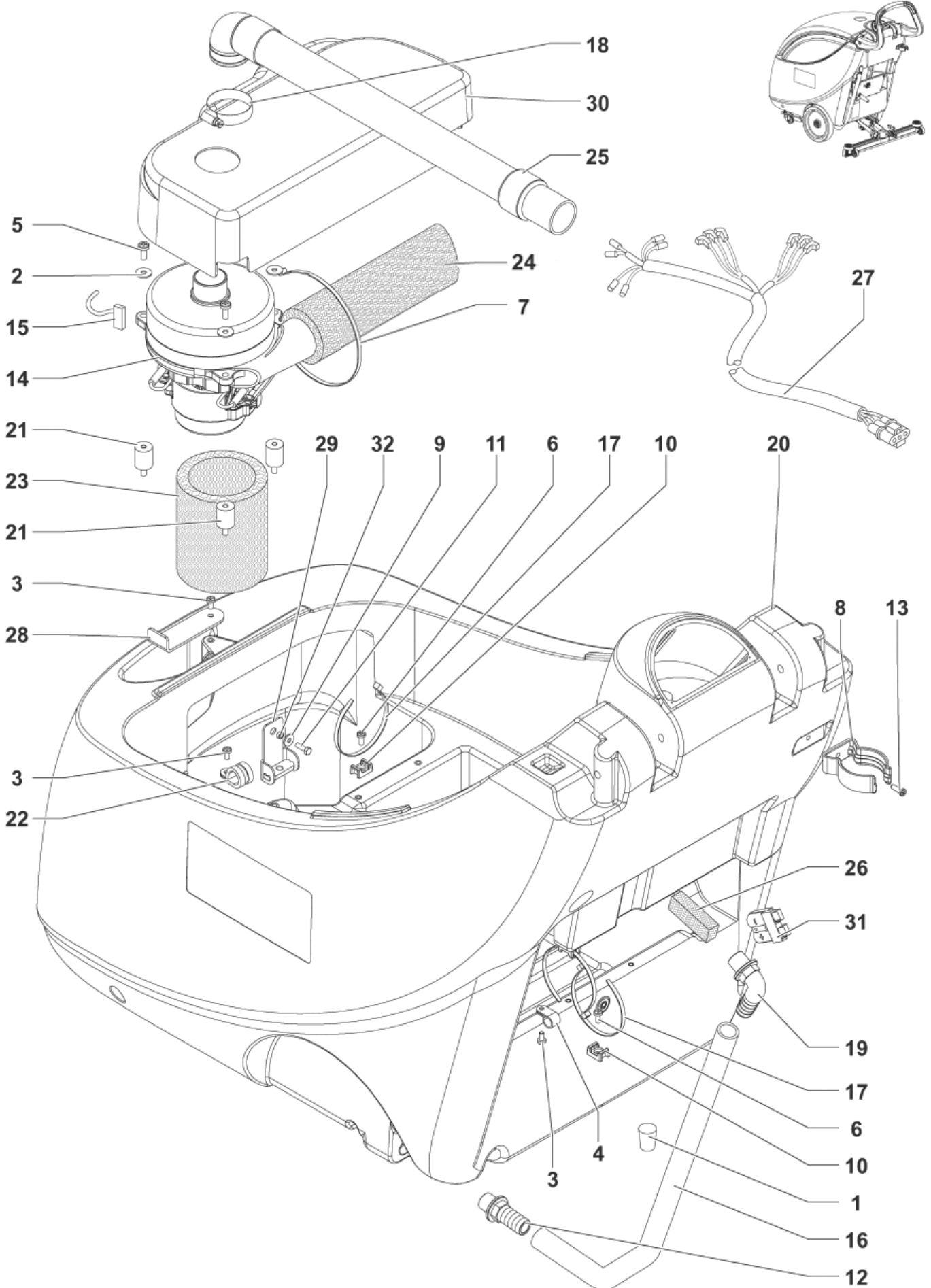
FRISCHWASSERSYSTEM

SCRUBTEC 343.2 B

04-11-2014

ET-Liste-Nr.
SCR3432B010

5



FRISCHWASSERSYSTEM

SCRUBTEC 343.2 B

04-11-2014

ET-Liste-Nr.
SCR3432B010

6

Pos	Artikelnr.	Me	Beschreibung
8	909 6380 000	1	BefestigungsKit
12	9100000574	1	FITTING STRAIGHT G1/2 D.20 KIT
14	909 5713 000	1	Saugturbine kit
15	909 5371 000	2	CARBON BRUSH
16	9098446000	1	HOSE SOLUTION
19	9098443000	1	ELBOW 90 D.20 G1/2 M
20	9100000732	1	TANK SOLUTION BLUE PKD
23	909 5564 000	1	Rohr
24	909 5565 000	1	Rohr
25	909 5579 000	1	Schlauch
26	9098802000	1	FILTER LEVEL WATER HOSE
27	9099103000	1	HARNESS MACHINE
28	909 6304 000	1	Klammer f. Bürsten- halterung
29	9099195000	1	SUPPORT ADJUSTING FRONT CPL
30	9098466000	1	Deckel f. Motor
31	9098761000	1	Stecker 50A ROT
K1	9099763000	1	HARDWARE SOLUTION TANK KIT

NOT SHOWN (POS.1-2-3-4-5-7-9-10-11-13-17-18-21-22-)

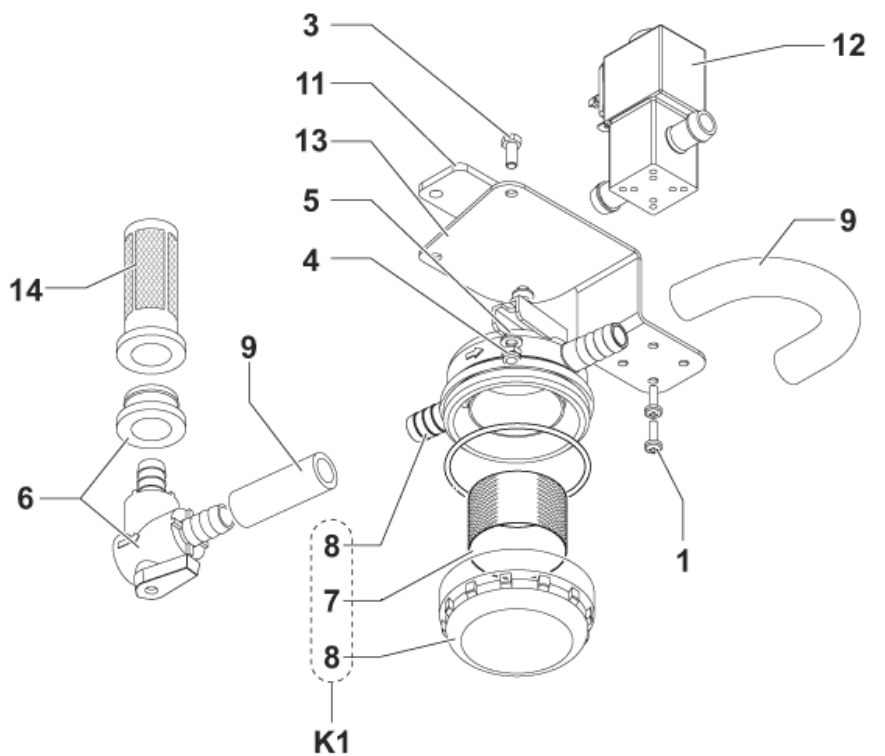
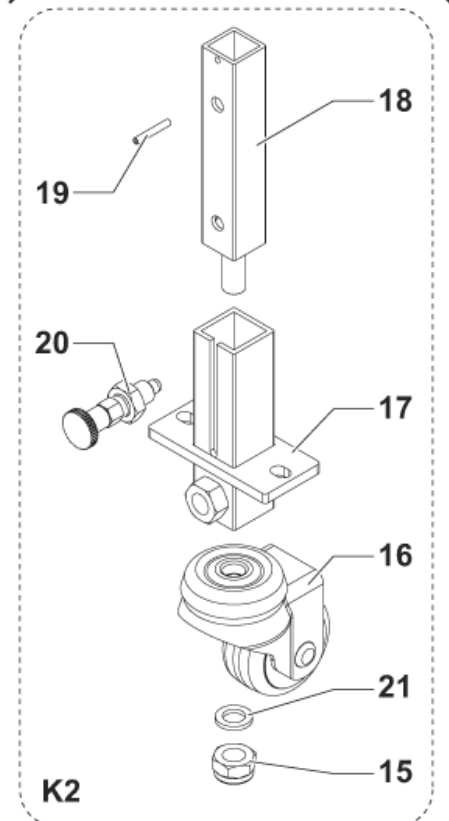
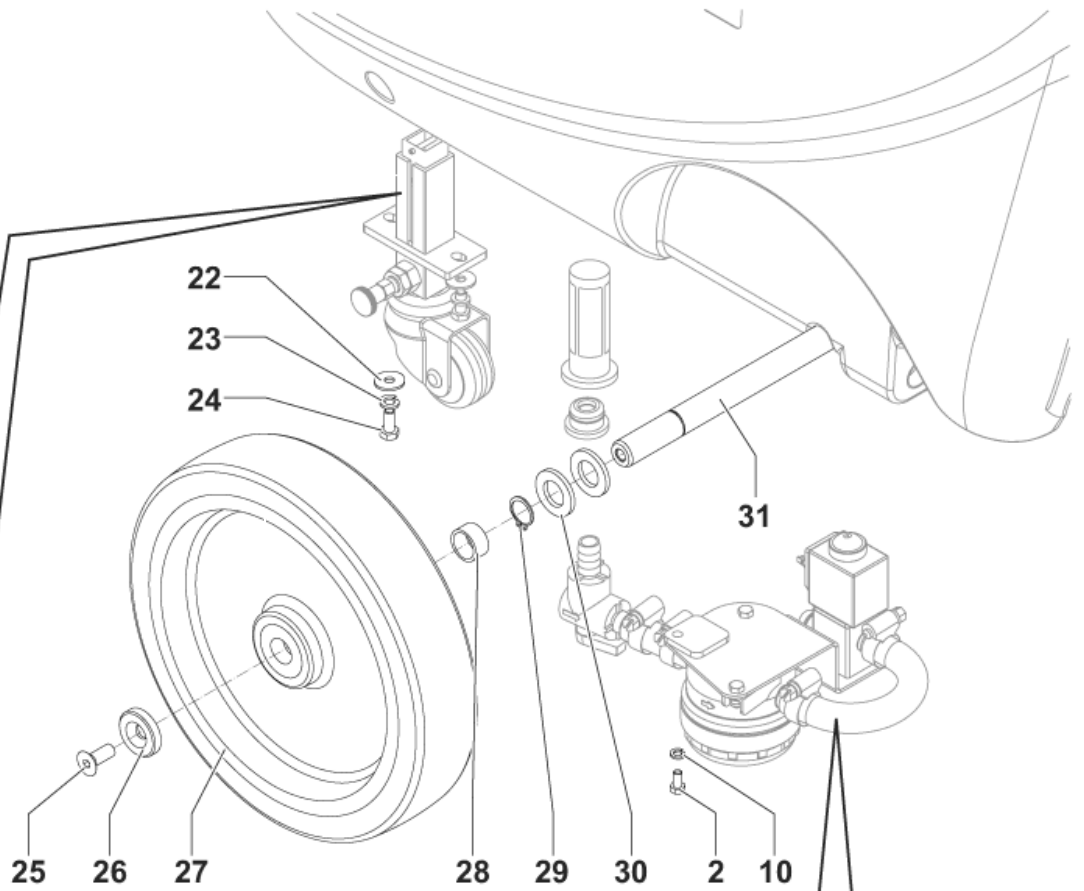
FILTER AND WHEELS SYSTEM

SCRUBTEC 343.2 B

04-11-2014

ET-Liste-Nr.
SCR3432B020

7



FILTER AND WHEELS SYSTEM

SCRUBTEC 343.2 B

04-11-2014

ET-Liste-Nr.
SCR3432B020

8

Pos	Artikelnr.	Me	Beschreibung	
0	9099481000	1	NET WATER FILTER REINFORCED	
6	9097626000	1	VALVE ELBOW KIT	
7	9099481000	1	NET WATER FILTER REINFORCED	
9	9099778000	1	HOSE SOLUTION FILTER KIT	
11	9099200000	1	SPACER ADHESIVE RUBBER	
12	9099247000	1	SOLENOID VALVE 24V	
13	9099179000	1	SUPPORT FILTER AND SOLENOID VALVE	
14	9096916000	1	FILTER SOLUTION TANK Frischwassertank	OPTION
27	9099410000	2	Rad D250x50 grau	
K1	9100000362	1	FILTER WATER	(POS.7-8)
K2	9099705000	1	SUPPORT KIT f. Scrubtec 343	(POS.15-16-17-18-19-20-21)
K3	9099765000	1	Befestigungskit	NOT SHOWN (POS.25-26-28-29-30-31)
K4	9099766000	1	HARDWARE FILTER AND SUPPORT KIT	NOT SHOWN (POS.1-2-3-4-5-10-22-23-24)

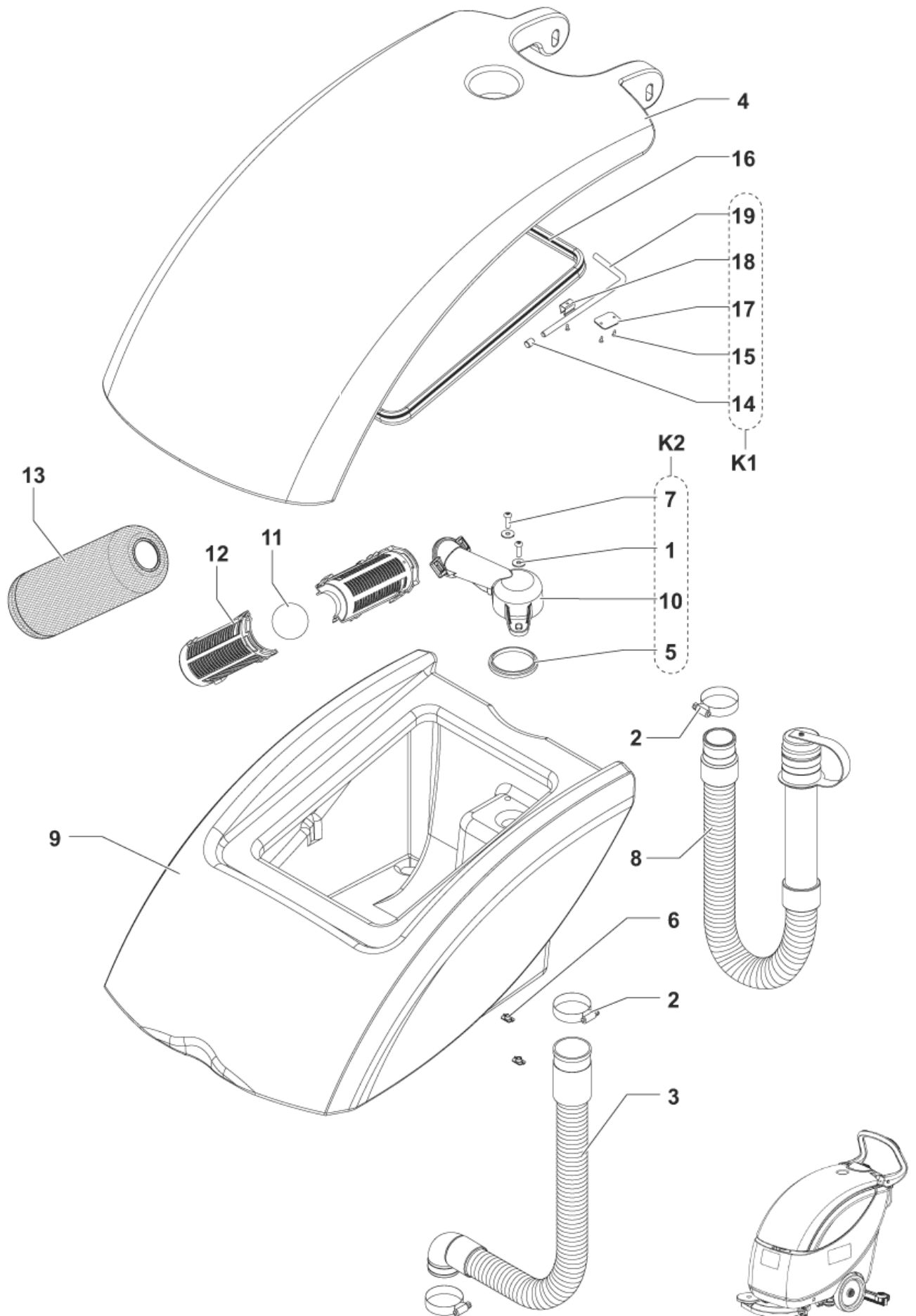
SCHMUTZWASSERSYSTEM

SCRUBTEC 343.2 B

04-11-2014

ET-Liste-Nr.
SCR3432B030

9



SCHMUTZWASSERSYSTEM

SCRUBTEC 343.2 B

04-11-2014

ET-Liste-Nr.
SCR3432B030

10

Pos	Artikelnr.	Me	Beschreibung
2	145 0543 000	2	CLAMP 14/32-52
3	910000650	1	HOSE SUCTION BLACK PKD
4	909 6273 000	1	Abdeckung
8	9099692000	1	Abwasserschlauch Kit
9	909 6272 000	1	Aufbereitungstank, blau
11	L08812373	1	BALL FLOATING
12	L08812259	2	CAGE,FLOAT CP
13	909 5065 000	1	FILTER ANTIFOAMING OPTION
16	909 6268 000	1	Dichtung
K1	9099776000	1	LEVER FIXING COVER KIT (POS.14-15-17-18-19)
K2	9099767000	1	SUPPORT FLOAT KIT (POS.1-5-6-7-10)

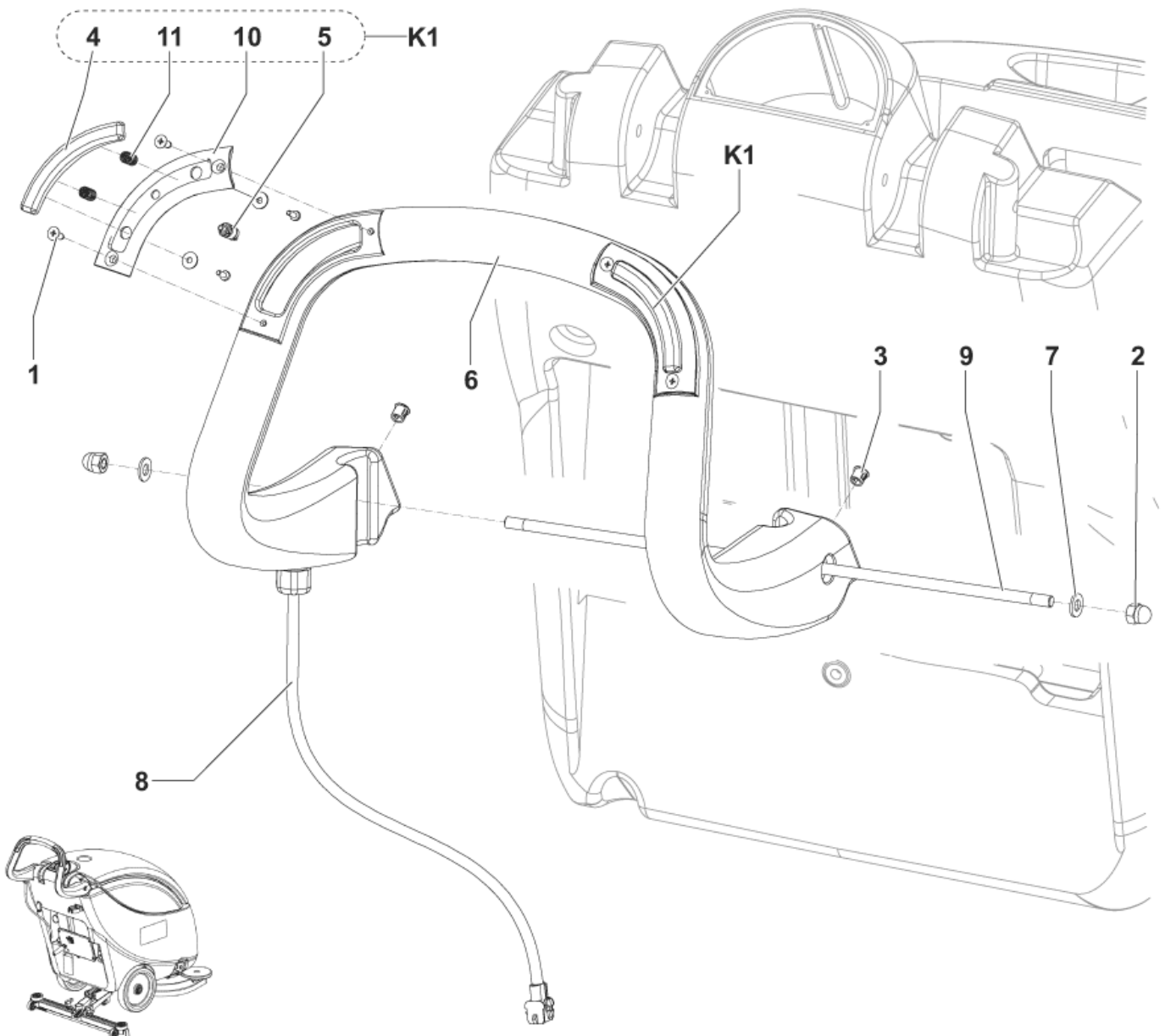
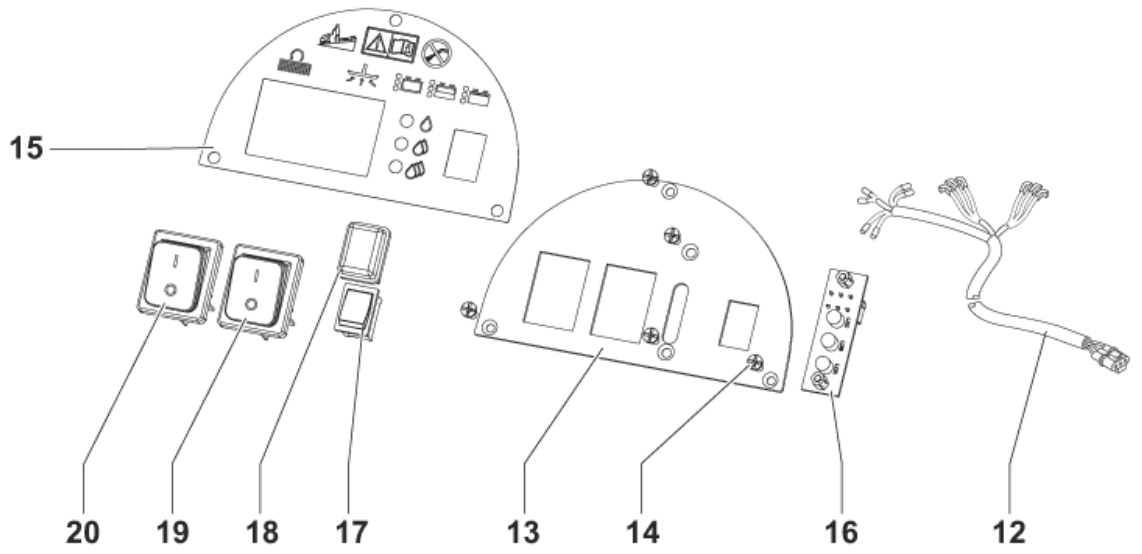
HANDLE AND DASHBOARD SYSTEM

SCRUBTEC 343.2 B

04-11-2014

ET-Liste-Nr.
SCR3432B040

11



HANDLE AND DASHBOARD SYSTEM

SCRUBTEC 343.2 B

04-11-2014

ET-Liste-Nr.
SCR3432B040

12

Pos	Artikelnr.	Me	Beschreibung	
6	909 6488 000	1	HANDLE BAR PLASTIC	
8	909 6768 000	1	HARNESS HANDLE BAR	
9	909 6774 000	1	PIN HANDLE BAR	
12	9099144000	1	CABLE DASHBOARD	
13	9099199000	1	PANEL CONTROL	
15	9099380000	1	DECAL CONTROL PANEL	
16	9099053000	1	CARD TWO-COLOURED LED	
17	9099107000	1	SWITCH SINGLE-POLE MOMENTARY	
18	L08603154	1	SCHUTZKAPPE	
19	107404540	1	Schalter SET	
20	107404540	1	Schalter SET	
K1	11053A	2	Bedienschalter ASM	(POS.4-5-10-11)
K2	9099780000	1	HARDWARE HANDLE BAR KIT	NOT SHOWN (POS.1-2-3-7-14)

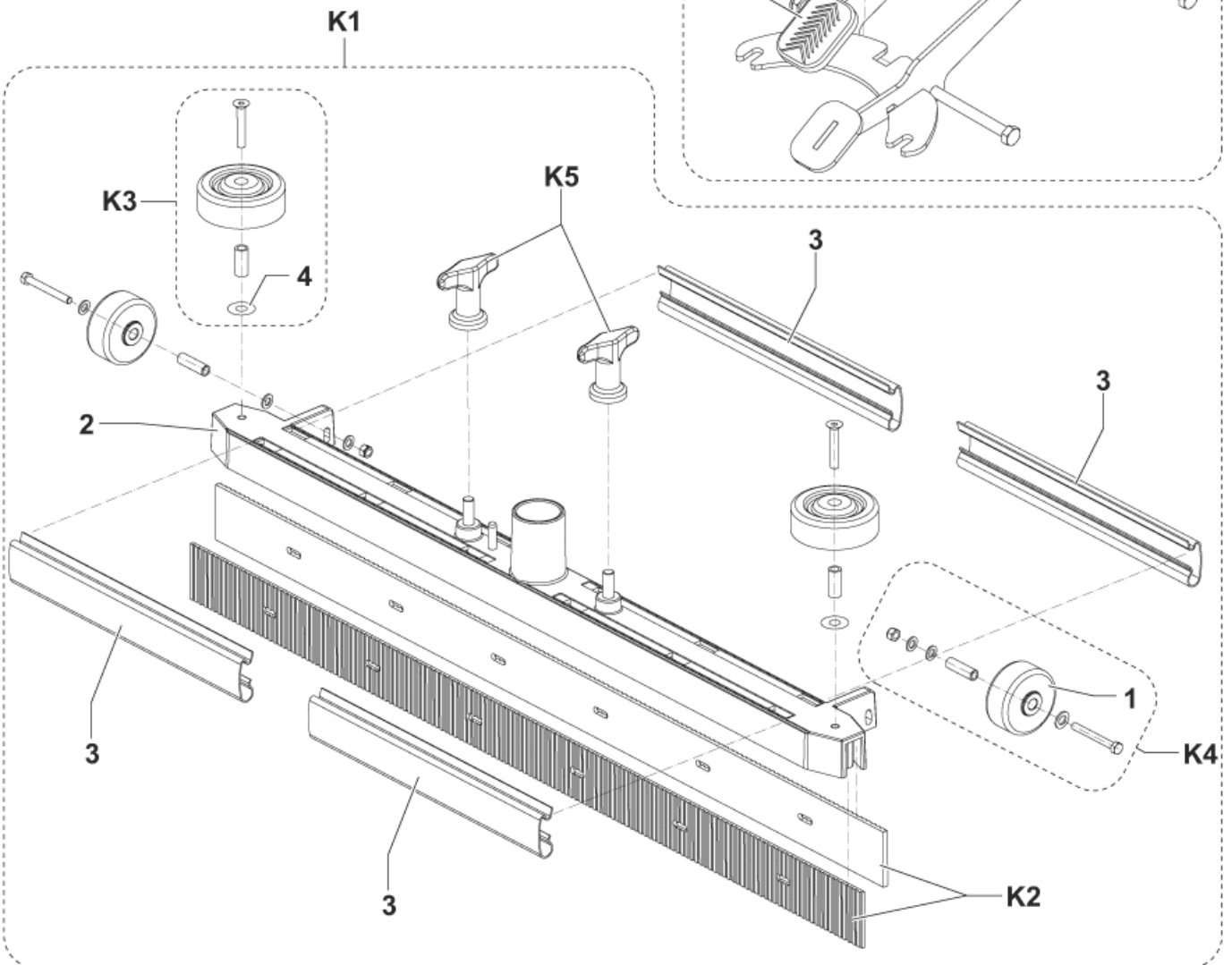
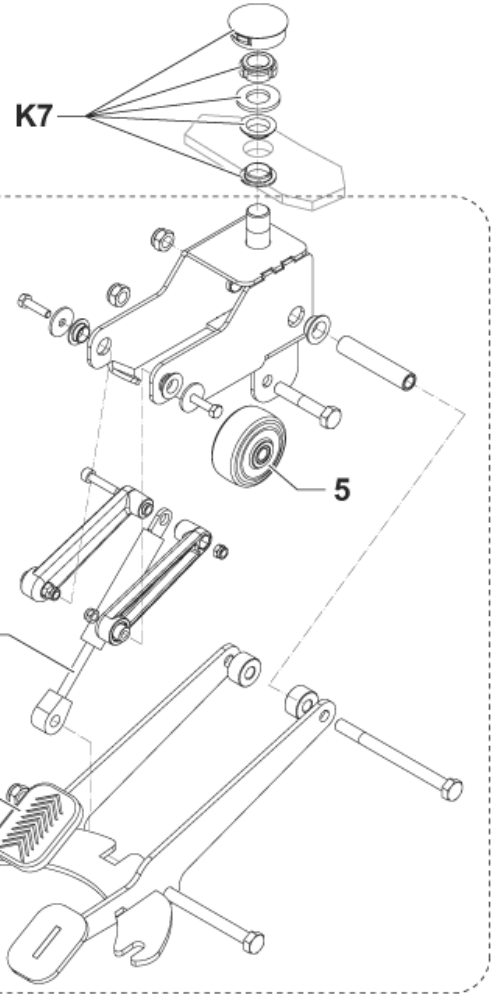
SQUEEGEE AND LIFT SYSTEM

SCRUBTEC 343.2 B

04-11-2014

ET-Liste-Nr.
SCR3432B050

13



SQUEEGEE AND LIFT SYSTEM

SCRUBTEC 343.2 B

04-11-2014

ET-Liste-Nr.
SCR3432B050

14

Pos	Artikelnr.	Me	Beschreibung	
1	910000559	2	WHEEL D.51 GREY PKD	
2	909 5554 000	1	Gummiwalze	
3	909 5555 000	1	Feder	use untill it is out of stock then order 91000006
3	910000651	4	PROFILE PLASTIC F SQUEEGEE BLADE PKD	use when 909 5555 000 is out of stock
4	L08603689	2	Scheibe 6x18x1.5	
5	910000559	1	WHEEL D.51 GREY PKD	
6	9099106000	1	COVER PEDAL	
7	909 5637 000	1	Feder	
K1	909 5702 000	1	Saugleiste Sauglippen	(POS.K1-K2-K3-K4-K5-2-3)
K2	9097354000	1	KIT PU SAUGLIPPE 720MM/28" Poly urethan	
K3	L08603880	1	ROLLER BUMPER KIT BA 600S/650S	(POS.4)
K4	909 5703 000	2	Rad, Set	(POS.1)
K5	9097637000	1	SQUEEGEE FIXING KIT	
K6	9099769000	1	SUPPORT SQUEEGEE LIFT KIT	(POS.5-6-7)
K7	9099770000	1	Befestigungskit	

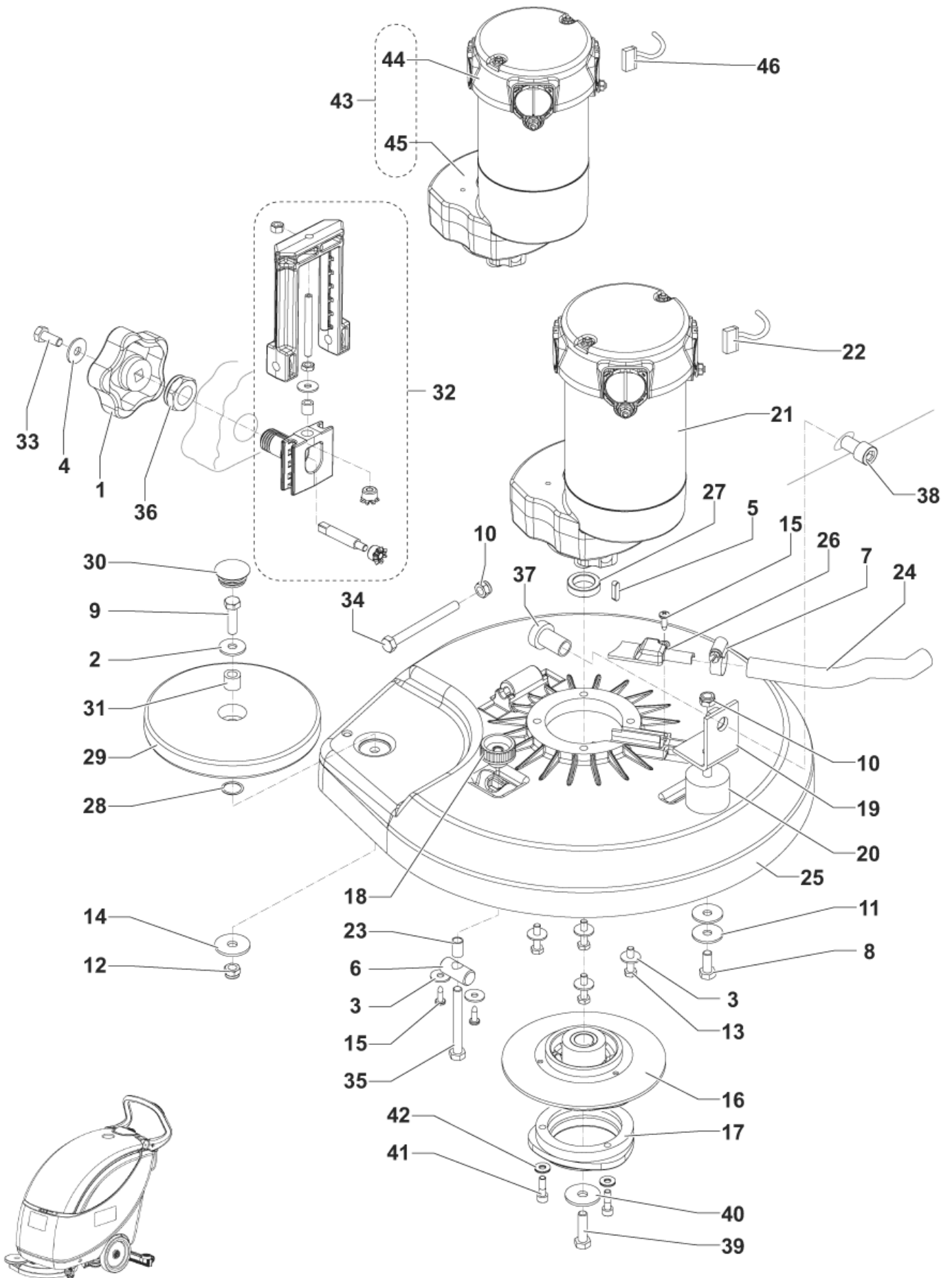
Bürstensystem

SCRUBTEC 343.2 B

04-11-2014

ET-Liste-Nr.
SCR3432B060

15



Bürstensystem

SCRUBTEC 343.2 B

04-11-2014

ET-Liste-Nr.
SCR3432B060

16

Pos	Artikelnr.	Me	Beschreibung	
1	9098465000	1	HANDLE LOBE SQUARE HOLE	
5	1466147000	1	KEY 5X5X20 UNI6604A PKD	
16	L08812589	1	HOLDER POLYG,W/FLANGE KIT	
17	L08812480	1	HUB,BRUSH	
18	909 5964 000	1	Stellschraube	
19	9099356000	1	BRACKET DECK SUPPORT	
20	9097184000	1	VIBRATION DAMPING M8 60SH	
21	9098308000	1	REDUCTION GEARMOTOR 450W 24V	
22	9098376000	1	CARBON BRUSHES KIT 4 PCS	
24	9099779000	1	HOSE BRUSH DECK KIT	
25	9099093000	1	DECK BRUSH	
26	9099190000	1	COVER SOLUTION HOSE SUPPORT	
29	L08812204	1	Abweisrolle zu BA 530 getriebe	
32	9099771000	1	ADJUSTABLE DECK KIT	
39	33003977	1	Schraube M6 X 30	
40	145 0493 000	1	Unterlegscheibe 6x24 (f.AW445-475)	
43	9099805000	1	Getriebemotor 520W 24V	
44	9097114000	1	MOTOR ELECTRIC 520W 24V	OPTION
45	9099851000	1	REDUCTION GEAR	OPTION
46	909 6893 000	1	BRUSH CARBON KIT 4PCS	OPTION
K1	9099772000	1	HARDWARE BRUSH SYSTEM KIT	NOT SHOWN (POS.2-3-4-6-7-8-9-10-11-12-13-14-15-23-

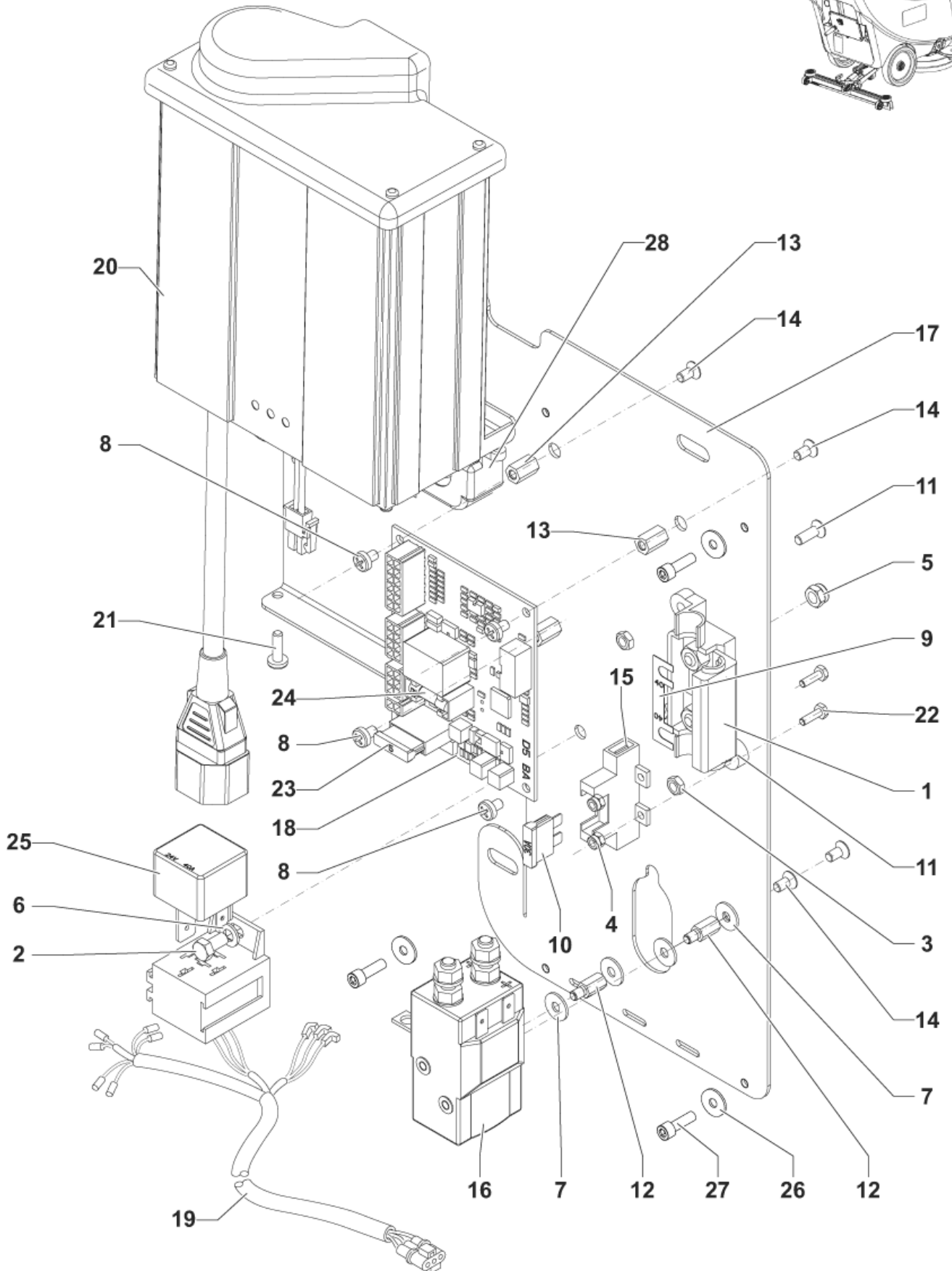
VERDRATUNGSSYSTEM

SCRUBTEC 343.2 B

04-11-2014

ET-Liste-Nr.
SCR3432B070

17



VERDRATUNGSSYSTEM

SCRUBTEC 343.2 B

04-11-2014

ET-Liste-Nr.
SCR3432B070

18

Pos	Artikelnr.	Me	Beschreibung	
1	145 8046 000	1	HOLDER FUSE	
9	145 3824 000	1	Sicherung Strip 40A	
10	145 8513 000	1	Sicherung 30A	
15	146 0660 000	1	Sicherungshalter	
16	9097209000	1	SWITCH ELECTROMAGNETIC 24V	
17	9098804000	1	PLATE ELECTRIC COMPONENTS	
18	9100000184	1	CARD ELECTRONIC FUNCTIONS KIT	
19	9099104000	1	HARNESS ELECTRIC COMP. BOX	
20	9099388000	1	CHARGER BATTERY ON BOARD 24V 8A	
23	145 9852 000	1	Sicherung 5A	
24	909 6678 000	1	Sicherung 20A GLASS DELAYED	
25	909 6622 000	1	RELAY 24V 40A	
28	9099387000	1	FERRITE	
K1	9099773000	1	HARDWARE WIRING SYSTEM KIT	NOT SHOWN (POS.2-3-4-5-6-7-8-11-12-13-14-21-22-26-

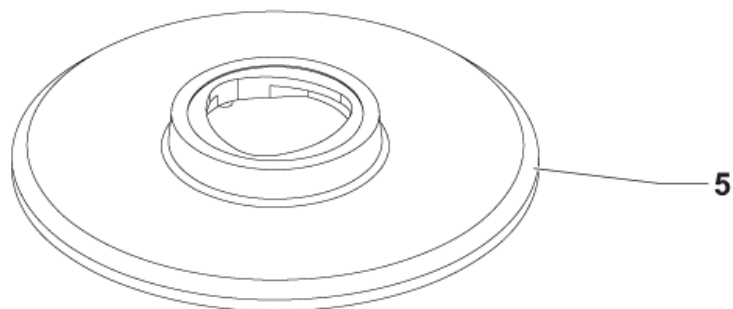
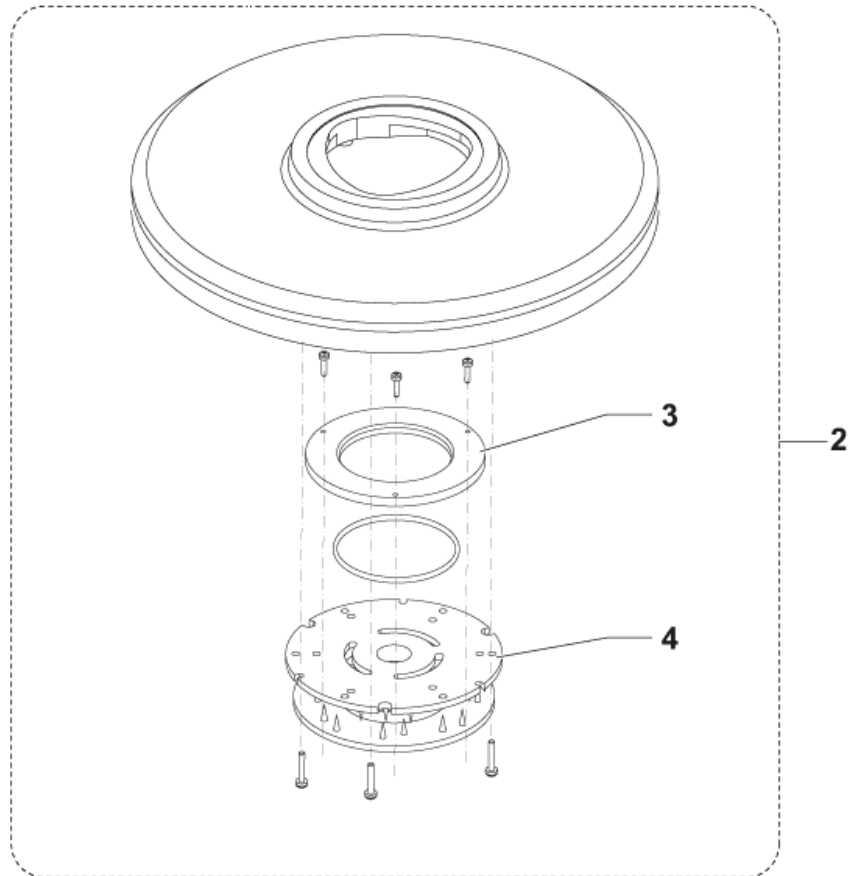
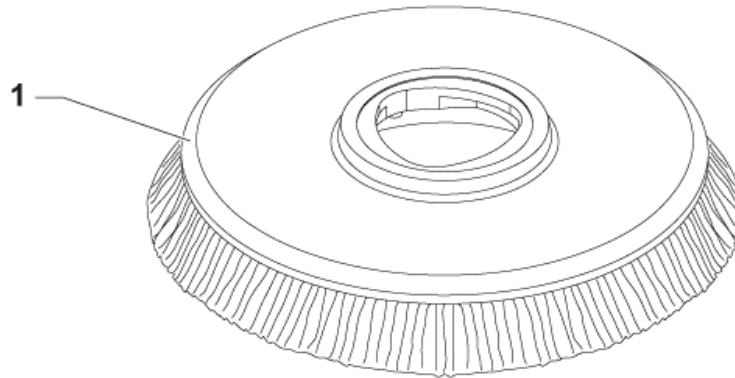
Zubehör

SCRUBTEC 343.2 B

04-11-2014

ET-Liste-Nr.
SCR3432B080

19



Zubehör

SCRUBTEC 343.2 B

04-11-2014

ET-Liste-Nr.
SCR3432B080

20

Pos	Artikelnr.	Me	Beschreibung	
1	909 5691 000	1	Bürste Light Grit	
1	909 5692 000	1	Bürste Clean Grit	
1	909 5693 000	1	Bürste PP weich	
1	909 5694 000	1	Bürste Ø 430 mm	
1	L08812891	1	Bürste D430 Polypropylen Polypropylen	
2	9099669000	1	Padhalter 17 432mm	
3	L08603966	1	PAD HOLDER KIT CPL 305	
4	L08603965	1	SEAL O-RING	
4	L08837030	1	Auflage - Halter	
5	9099669000	1	Padhalter 17 432mm	
6	10001935	1	Eco Pad 17, 432mm, Teppichaufsatz, 6er Pack	NOT SHOWN
6	10001936	1	PAD 17 432MM ECO WHITE 5PCS 5er Pack	NOT SHOWN
6	10001937	1	Eco Pad 17, 432mm, braun 5er Pck	NOT SHOWN
6	10001938	1	Eco Pad 17, 430mm, schwarz 5er Pack	NOT SHOWN
6	10001939	1	PAD 17 432MM ECO BLUE 5PCS 5er Pack	NOT SHOWN
6	10001940	1	Eco Pad 17, 432mm, grün 5er Pck	NOT SHOWN
6	10001941	1	PAD 17 432MM ECO RED 5PCS 5er Pack	NOT SHOWN
6	10002336	1	Diamant Pad 17 431mm rot 2er Pack.	NOT SHOWN
6	10002337	1	Diamant Pad 17 431mm weiß 2er Pack.	NOT SHOWN
6	10002338	1	Diamant Pad 17 431mm gelb 2er Pack.	NOT SHOWN
6	10002339	1	Diamant Pad 17 431mm grün 2er Pack.	NOT SHOWN
7	80542432	1	CHARGER HF 24V 30A OPTIMA SB50R Ladegerät	NOT SHOWN
8	909 5676 000	1	Kabel Ex. Plug	NOT SHOWN
9	80561252	1	BATT.12V-52AH AGM SPIRALCELL spiralcell, Optima	NOT SHOWN
9	80561268	1	BATT.12V-68AH AGM SPIRALCELL spiralcell, Optima	NOT SHOWN
9	80564200	1	DRYFIT MONOBLOC DF 12 wartungsfrei	NOT SHOWN
9	80564310	1	Gelbatterie 12V /76 Ah Monoblock	NOT SHOWN

EMPFOHLENE ERSATZTEILE

SCRUBTEC 343.2 B

04-11-2014

ET-Liste-Nr.
SCR3432B090

21

Keine Zeichnung zur ET-Liste

EMPFOHLENE ERSATZTEILE

SCRUBTEC 343.2 B

04-11-2014

ET-Liste-Nr.
SCR3432B090

22

Pos	Artikelnr.	Me	Beschreibung
	107404540	1	Schalter SET
	107404540	1	Schalter SET
	11053A	2	Bedienschalter ASM
	145 0543 000	2	CLAMP 14/32-52
	145 3824 000	1	Sicherung Strip 40A
	145 8513 000	1	Sicherung 30A
	909 5371 000	2	CARBON BRUSH
	909 5554 000	1	Gummiwalze
	909 5637 000	1	Feder
0	909 5703 000	2	Rad, Set
	909 5713 000	1	Saugturbine kit
	909 5716 000	1	Dichtung
	909 6380 000	1	Befestigungs kit
	9097184000	1	VIBRATION DAMPING M8 60SH
	9097209000	1	SWITCH ELECTROMAGNETIC 24V
	9097354000	1	KIT PU SAUGLIPPE 720MM/28" Poly urethan
	9097626000	1	VALVE ELBOW KIT
	9098308000	1	REDUCTION GEARMOTOR 450W 24V
	9098376000	1	CARBON BRUSHES KIT 4 PCS
	9098446000	1	HOSE SOLUTION
	9099104000	1	HARNESS ELECTRIC COMP. BOX
	9099106000	1	COVER PEDAL
	9099107000	1	SWITCH SINGLE-POLE MOMENTARY
	9099247000	1	SOLENOID VALVE 24V
	9099388000	1	CHARGER BATTERY ON BOARD 24V 8A
	9099705000	1	SUPPORT KIT f. Scrubtec 343
	9099756000	1	Sicherung 125A
	9099757000	1	NUT INSULATING
	9099771000	1	ADJUSTABLE DECK KIT
	9100000184	1	CARD ELECTRONIC FUNCTIONS KIT
	9100000362	1	FILTER WATER
	9100000559	1	WHEEL D.51 GREY PKD
	9100000650	1	HOSE SUCTION BLACK PKD
	9100000651	4	PROFILE PLASTIC F SQUEEGEE BLADE PKD
	L08603880	1	ROLLER BUMPER KIT BA 600S/650S
	L08812480	1	HUB,BRUSH
	L08812891	1	Bürste D430 Poly propy len Poly propy len