

SD 2

Model:
SD 2



Part List US-English

06-02-2015

Table of Contents

SD 2

BASE PART	3
HANDLE	5
SOLUTION TANK KIT	7
VAC UNIT KIT	9

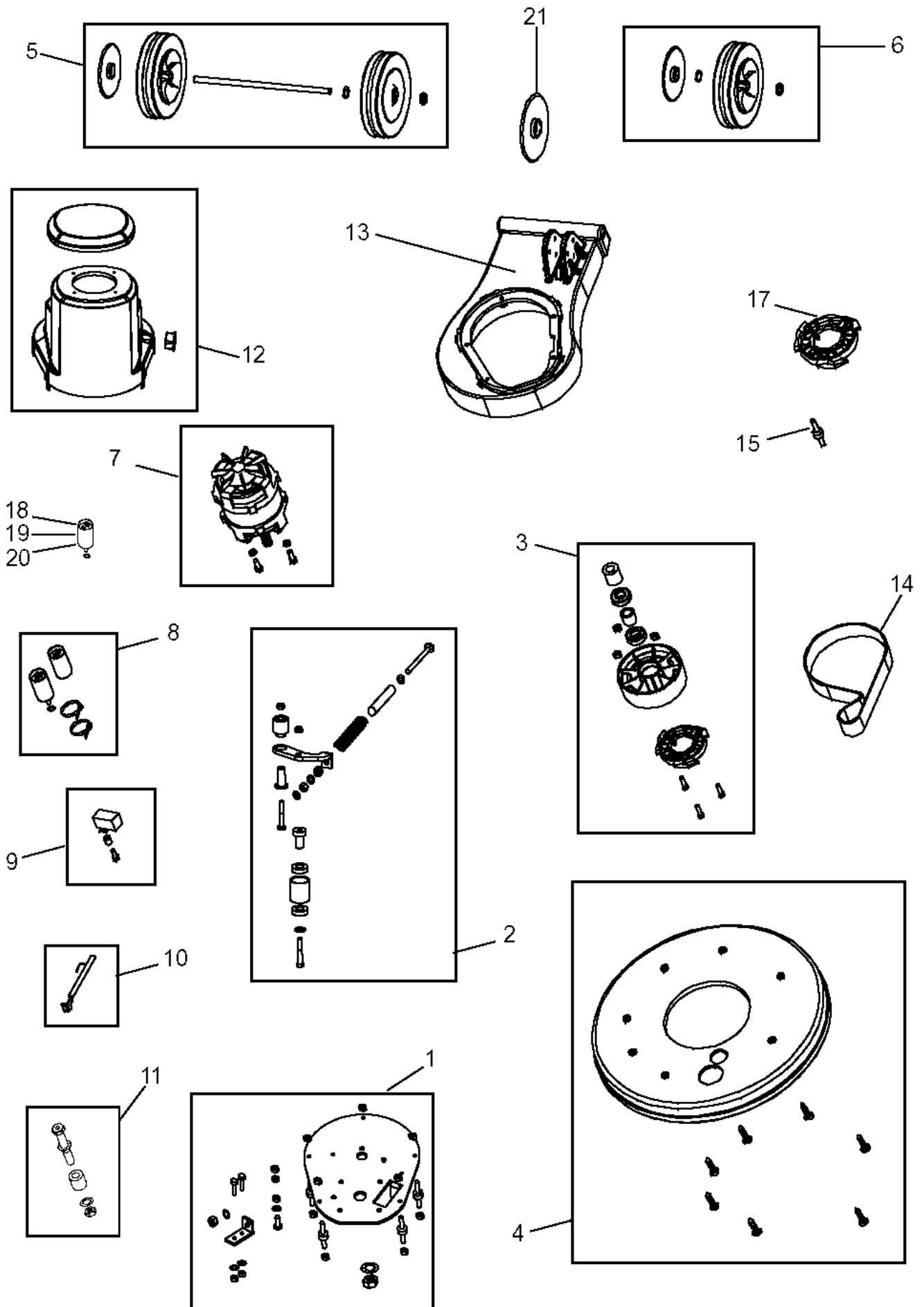
BASE PART

SD 2

06-02-2015

Part List ID D6332

3



BASE PART

SD 2

06-02-2015

Part List ID

D6332

4

Pos	Part no.	Qty	Description
1	55053535	1	SCREWS. MOTOR MOUNT PLATE
2	55053536	1	TENSION ARM+SCREWS.SD2/4
3	55053537	1	PULLEY SET COMPLETE.SD2/4
4	55053538	1	SCREWS.BRUSH GUARD. SD2/4
5	55053539	1	WHEELS. COMPLETE. SD2/4
6	55053540	1	WHEEL REPAIR KIT.SD2/4
7	55053541	1	MOTOR CPL. SD 2
8	55053543	1	CAPACITOR KIT SD 2
9	55053545	1	RELAY. CPL.SD2/4
10	55053546	1	PIPE CPL.SD2/4
11	55053547	1	SPINDLE CPL. SD2/4
12	55053548	1	MOTOR COVER CPL. SD 2
13	55053550	1	BASE MOULD. SD2/4
14	55023499	1	BELT. SD2/4
15	55023507	1	FLEXIBLE COUPLING. SD2/4
16	55043244	1	BASE WIRING KIT. SD2/4
17	55036077	1	ENGAGEMENT HUB. SD2/4
18	55043228	1	RUN CAPACITOR
19	55043230	1	START CAPACITOR 80UF
20	55043231	1	START CAPACITOR 100UF
21	55036080	1	SPECIAL CAP

HANDLE

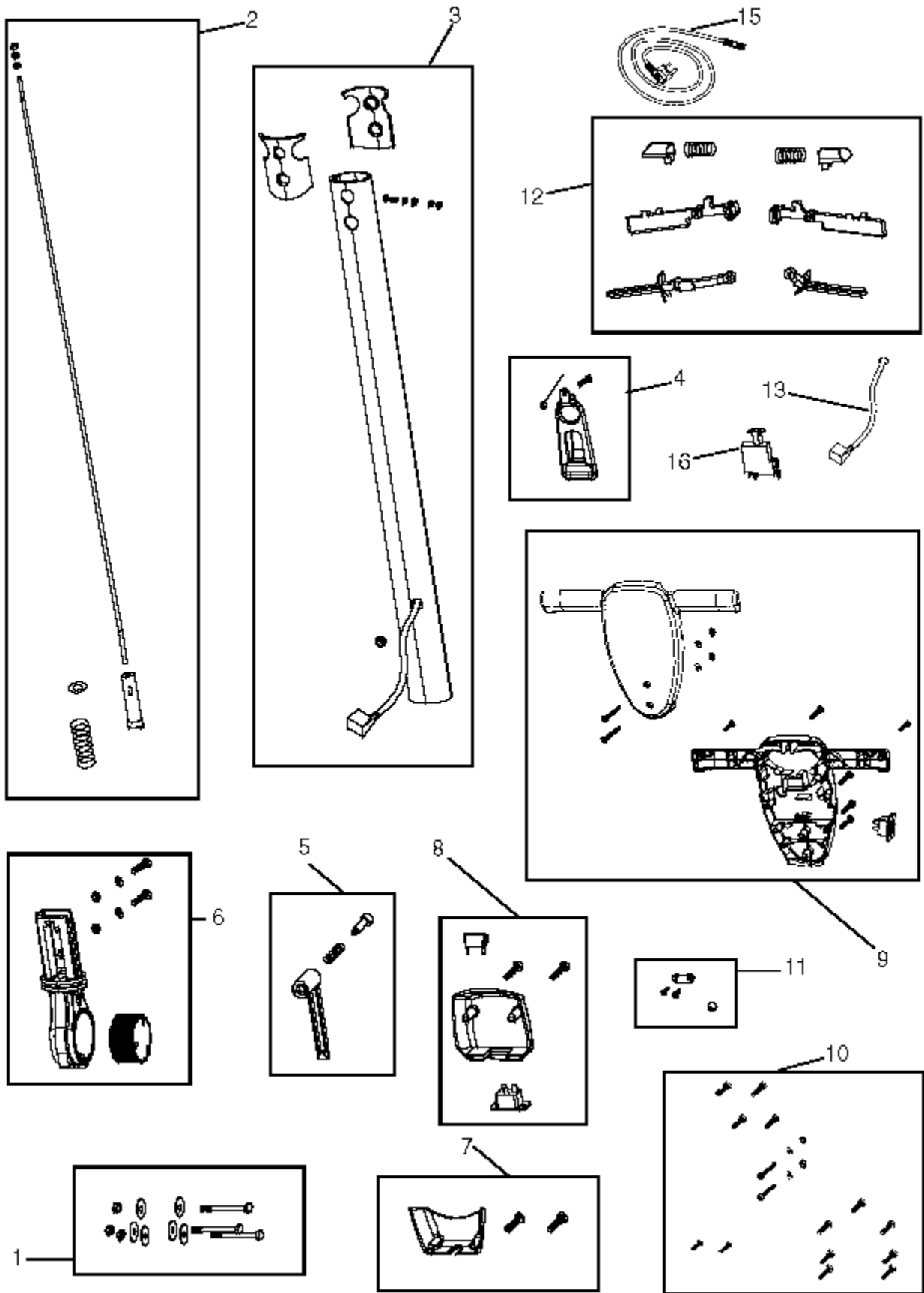
SD 2

06-02-2015

Part List ID

D6334

5



HANDLE

SD 2

06-02-2015

Part List ID
D6334

6

Pos	Part no.	Qty	Description
1	55053520	1	HANDLE ASSY SCREWSM SD2/4
2	55053521	1	GEAR ROD. COMPLETE. SD2/4
3	55053522	1	TUBE. COMPLETE. SD2/4
4	55053523	1	CABLE STRAIN RELIEF FIX.
5	55053524	1	CABLE WINDER ASSY. SD2/4
6	55053525	1	KNUCKLE AND GEAR. SD2/4
7	55053526	1	CORD AND INLET COVER.SD2/4
8	55053527	1	INLET BOX. COMPLETE.SD2/4
9	55053528	1	HANDLE COVER ASSEMBLIES
10	55053529	1	COMPLETE HANDLE SCREW KIT
11	55053530	1	BALLS AND CORD CLAMP KIT
12	55053531	1	HANDLE LEVER KIT.SD2/4
13	55043240	1	DROP LEAD
14	55023521	1	13MM ASSY SPANNER. SD2/4
15	55053533	1	SUPPLY CORD EURO RED
15	82334200	1	CORD SET 15MX1.5X3 230V
16	55043237	1	SWITCH. SD2/4

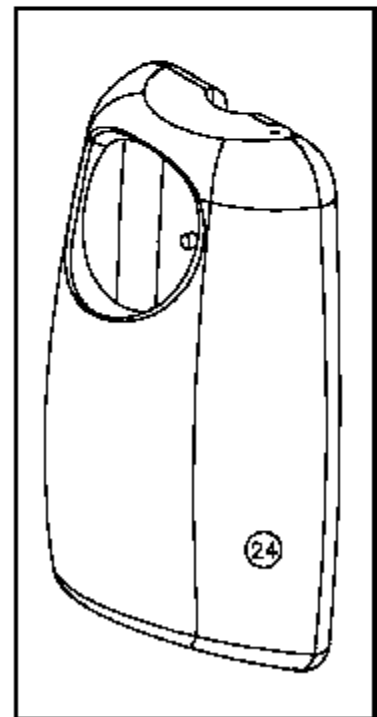
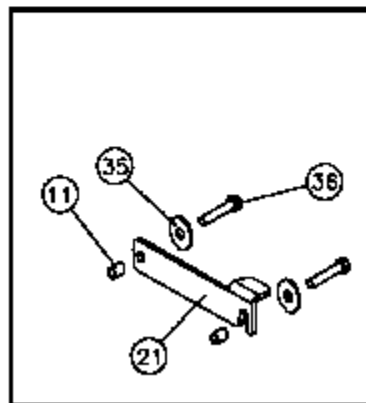
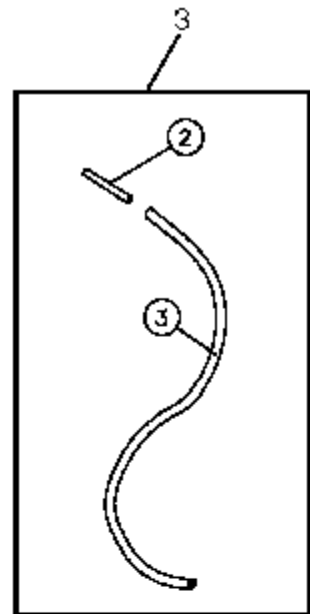
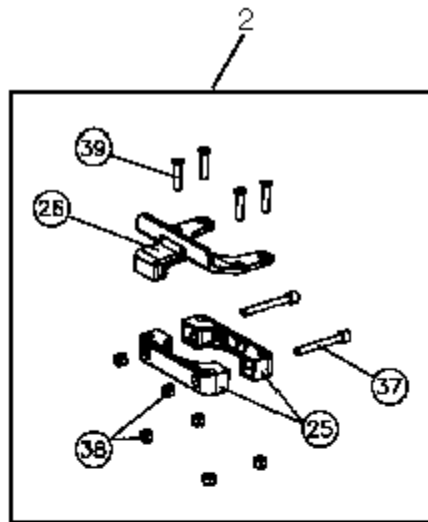
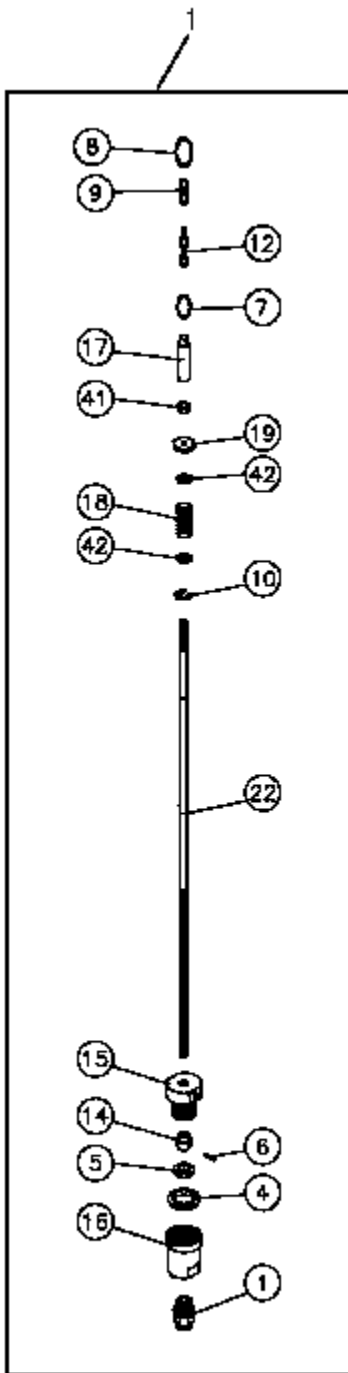
SOLUTION TANK KIT

SD 2

06-02-2015

Part List ID D6336

7



4

5

SOLUTION TANK KIT

SD 2

06-02-2015

Part List ID
D6336

8

Pos	Part no.	Qty	Description
1	55053551	1	SOLUTION TANK ROD ASSY
2	55053556	1	PLASTIC ACC. BRACKET ASSY
3	55053552	1	SOLUTION HOSE ASSY. KIT
4	55053560	1	SOL.TANK UPPER BRACKET
5	55036128	1	NATURAL SOL.TANK BODY.KIT

VAC UNIT KIT

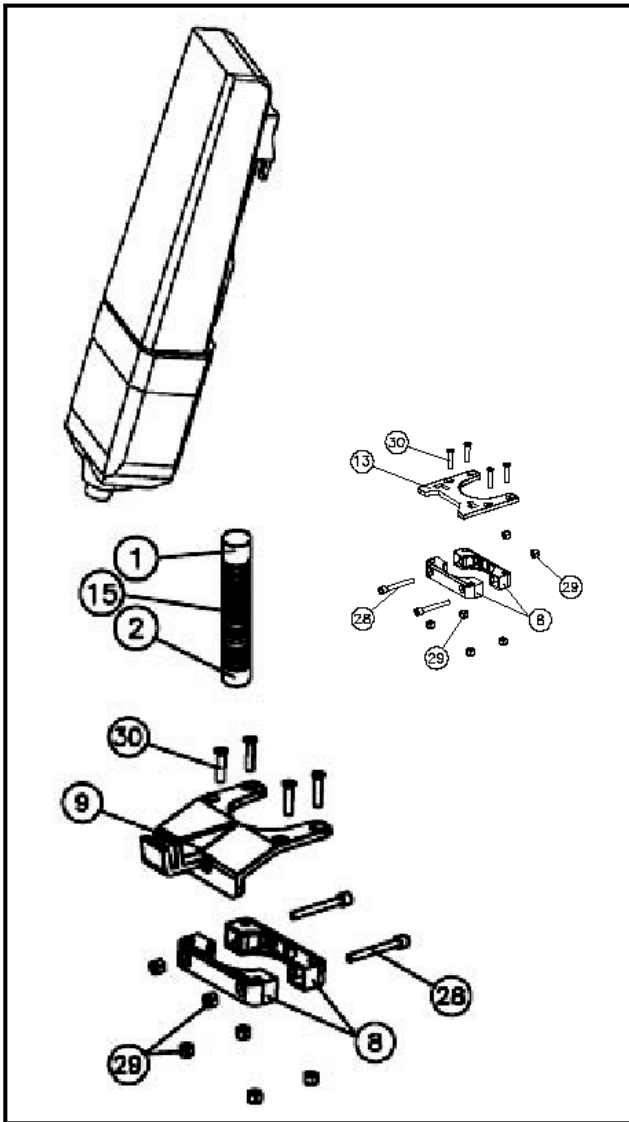
SD 2

06-02-2015

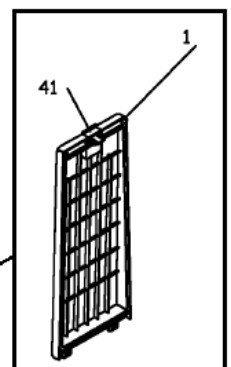
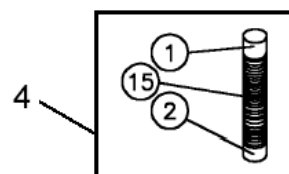
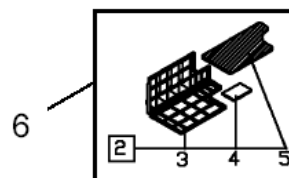
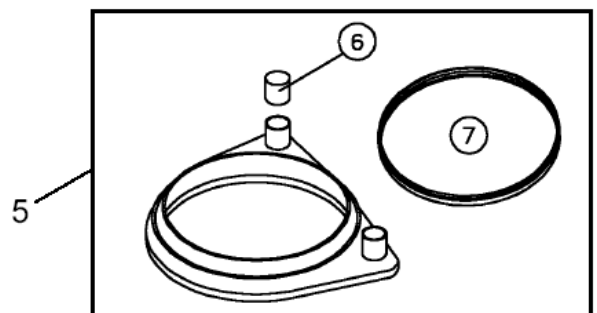
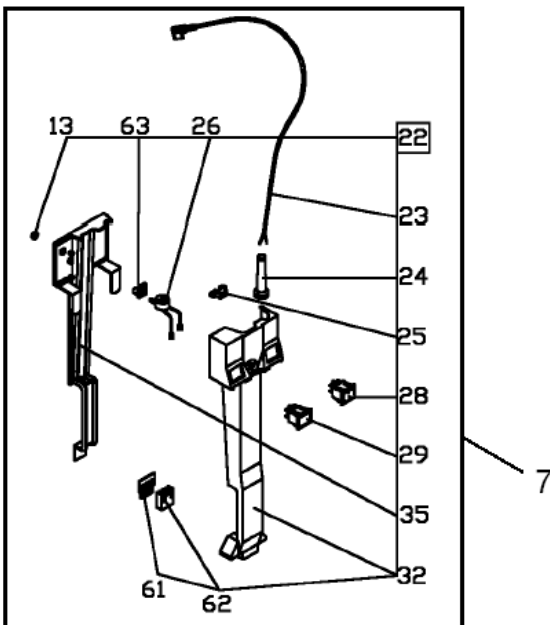
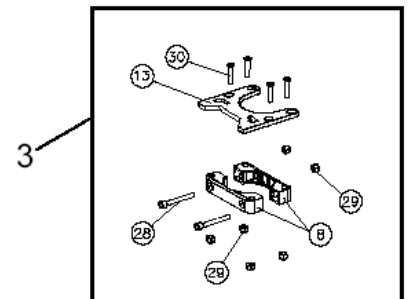
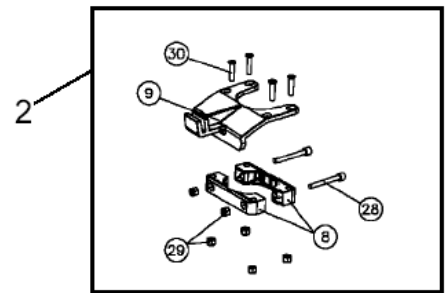
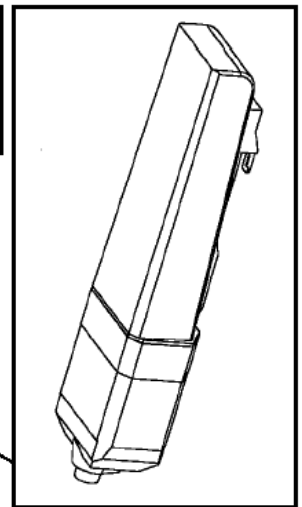
Part List ID

D6338

9



Note:
Complete vac system:
Pos no. 5 + 9



VAC UNIT KIT

SD 2

06-02-2015

Part List ID
D6338

10

Pos	Part no.	Qty	Description
1	55043243	1	VACUUM UNIT FOR UB624+SD2/4
2	55053556	1	PLASTIC ACC. BRACKET ASSY
3	55053714	1	BRACKET UPPER KIT PLASTIC
4	55053554	1	VACUUM HOSE ASSY. KIT
5	55053441	1	VACUUM SKIRT. SD2/4 KIT
6	55008008	1	GRILL CPL. KIT
7	55008511	1	ELEC. SYSTEM ASS. 240/50
8	55053688	1	BAG HOUSING AND DOOR KIT
9	55053440	1	VACUUM UNIT CPL. FOR SD2/4