

40CAS

Model:
40CAS



Part List US-English

11-02-2015

Table of Contents

40CAS

Summary	3
Motor pump unit	5
Float chamber	9

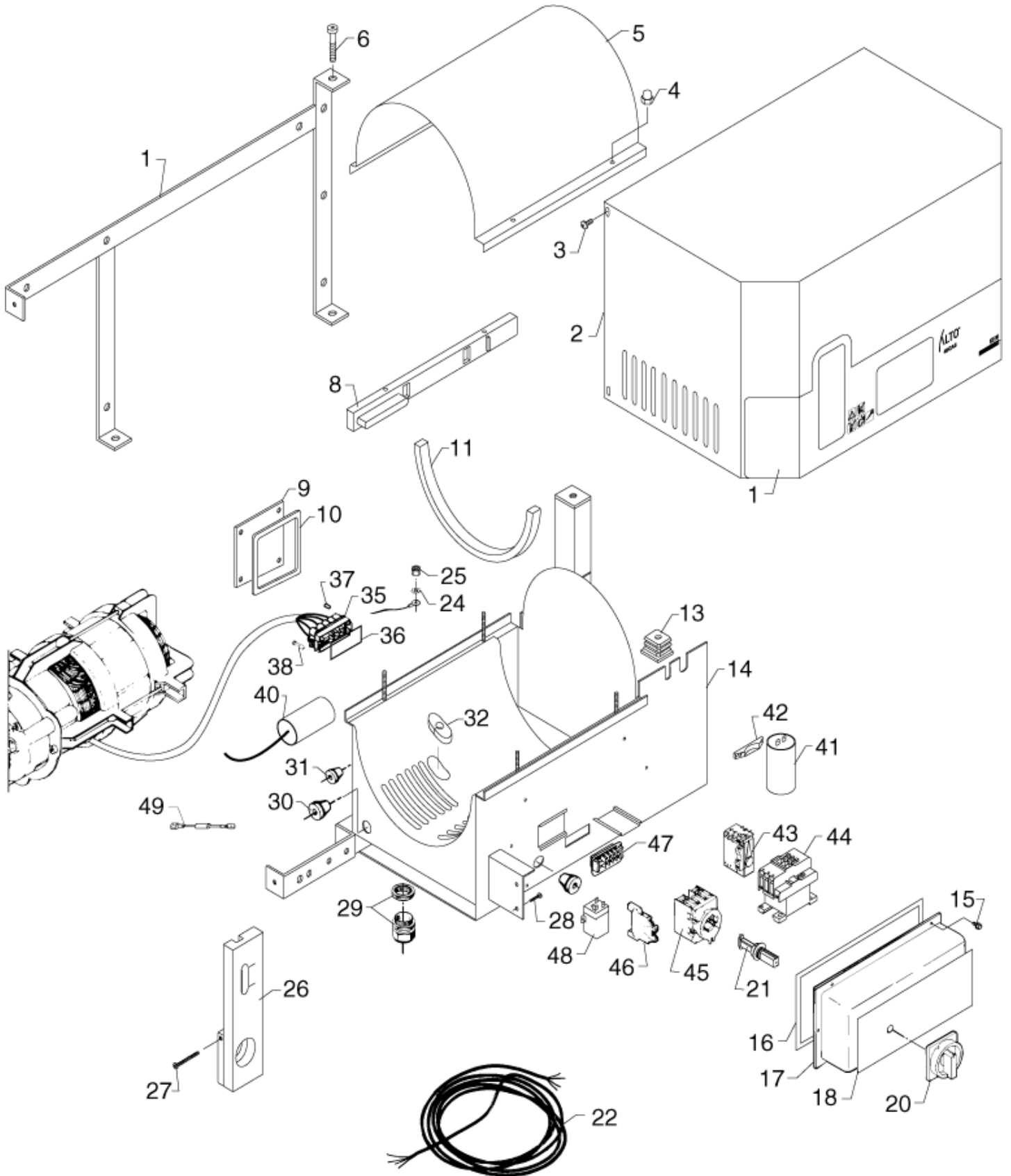
Summary

40CAS

11-02-2015

Part List ID
40CAS02

3



Summary

40CAS

11-02-2015

Part List ID
40CAS02

4

Pos	Part no.	Qty	Description	
1	7350147	1	FRONT LABEL 40CAS	40CAS
1	7350148	1	FRONT LABEL 40CAS I	40CAS I
2	7350000	1	CABINET	
3	1814375	4	SCREW M6X12 A2 ISO 7380	
6	1814629	1	SCREW. UNBARS M6X20	
8	7350131	2	RAIL PUR	
14	7350001	1	CHASSIS	
15	1804475	10	SCREW M5X12 ISO 14583-A2 TORX	
20	3830121	1	KNOB FOR MAIN SWITCH	
21	7350149	1	AXLE FOR MAIN SWITCH	
22	3819860	1	EL. CABLE W/GFCI 20A - 220V	USA
22	3819861	1	EL. CABLE W/GFCI 20A - 115V	USA
22	6180260	1	EL-CABLE H07RN-F 4G 1.5	3~, * SEE NOTE
22	6180261	1	EL. CABLE H07RN-F 3G 1.5	1~, * SEE NOTE
24	1810308	1	STAR WASHER M4 INTERN.TOOTHING	
25	1801885	1	M5 ISO 4032 A2-70	
28	1814637	2	PT-SCREW K40X16	
30	3803780	1	GROMMET 10-14C	
31	3803764	1	RUBBER SEAL TET 5-7C	
35	3820230	1	MOTOR SOCKET - FEMALE	
36	3821456	1	GASKET FOR MOTOR PLUG SOC	
37	3820909	1	PLUG	
38	1119375	1	REP KIT	
40	3821063	1	CAPACITOR START-UP 160	220-240V
40	3821216	1	CAPACITOR. START-UP. 315-	110-115V
41	3821426	1	CAPACITOR OPERATION 100 000µF	110-115V
41	3821427	1	CAPACITOR OPERATION 400 F	220-240V
43	103822326	1	OVERC.RELAY JR28-25-1316.9-13A	8-12A
43	3821433	1	OVERCURRENT RELEASE T116	11-16A
43	3821435	1	OVERCURRENT RELEASE T125-	15-20A
44	3821438	1	CONTACT CI15 16A 230-24	16A 230-240V, 50HZ
44	3821439	1	CONTACT CI15 16A 400V 5	16A 400V, 50HZ
44	3821440	1	CONTACTOR CI15 16A 415V 5	16A 415V, 50HZ
44	3821442	1	CONTACT CI20 20A 220V 6	20A 220V, 60HZ
45	3830117	1	ALL-POLE DISCONNECTION LA	16A
45	3830118	1	ALL-POLE DISCONNECTION. L	20A
46	3817483	1	TERMINAL STRIP EARTH. WK4 SL/U	
47	3821445	1	MOTOR PLUG STAR CONNECTION	STAR CONNECTION
47	3821447	1	MOTOR PLUG MALE 1 PHASE	1~
48	3821581	1	STARTER RELAY 110V. 15V G	GREEN, 110-115V
48	3821582	1	STARTER RELAY 220-240V 50	BLUE, 220-240V
48	3821582	1	STARTER RELAY 220-240V 50	BLUE, USA
49	7180290	1	CAPACITOR 0.68 MICRONF	

* NOTE: 3~, DK, S,NL,F,D,CH,A,U,B,I,E,N,SF(3X400V,50HZ) -GB,U,SGP,A US(3X415-440V,50HZ)

** NOTE: 1~, D,A,B,E,F,I,N,NL,F(1X230V,50HZ)- SF(1X230V,50HZ),U(1X220V,60HZ)

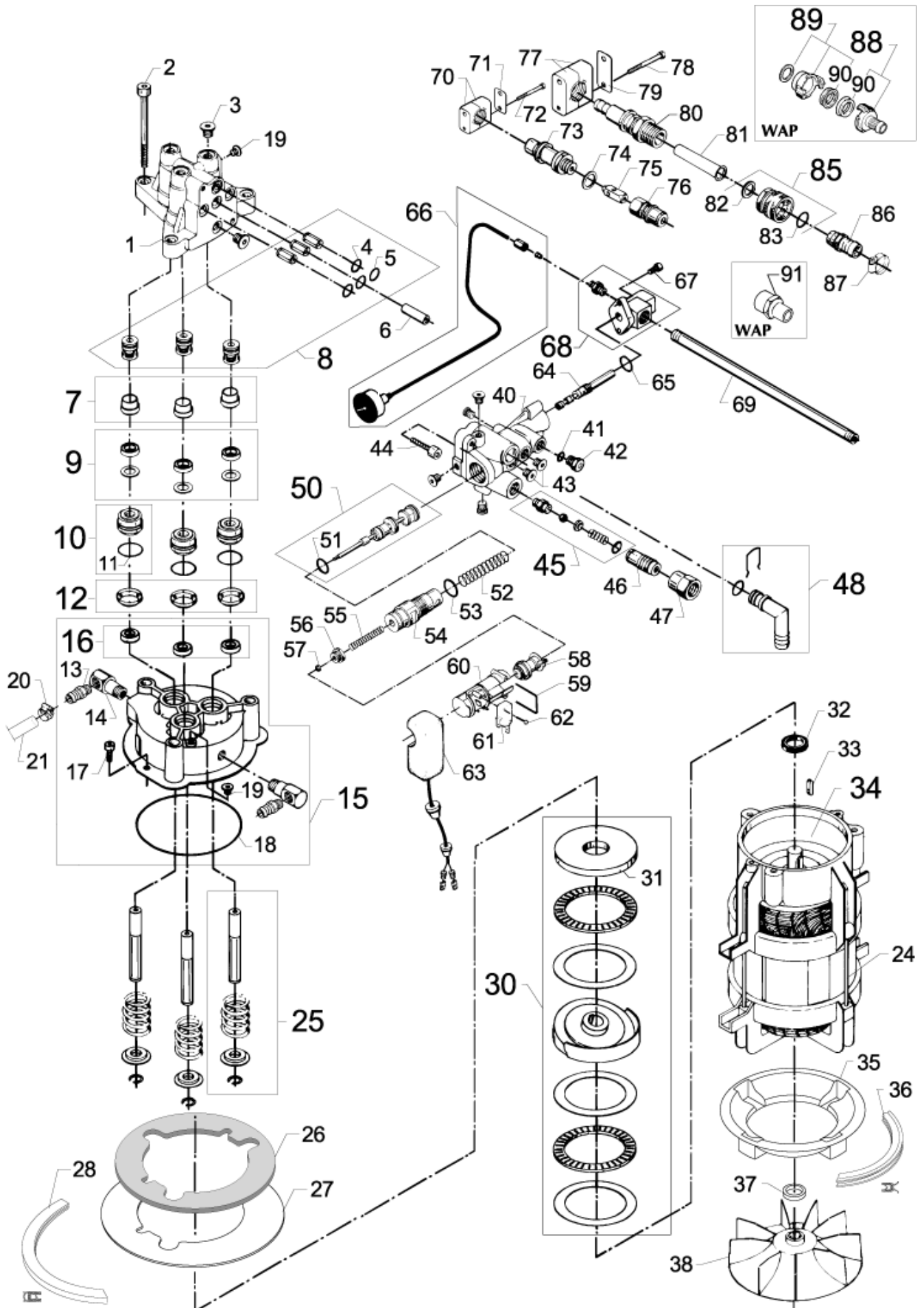
Motor pump unit

40CAS

11-02-2015

Part List ID
40CAS04

5



Motor pump unit

40CAS

11-02-2015

Part List ID
40CAS04

6

Pos	Part no.	Qty	Description	
-	5218433	1	PUMP OIL 150 1X1L	
1	6187132	1	CYLINDER HEAD	
2	1813393	3	SCREW M10X100 DIN912 8.8	
3	6180906	4	PLUG WITH O-RING	
4	3001807	1	O-RING 15X1.5 NITRIL 70 SH	
5	3002003	3	O-RING 13.1X1.6 NITRIL 70SH	
6	6120624	1	SPACER Ø8XØ12.3X33.5 PBT	
7	6183050	1	SPACER 3 PCS	
8	1119209	1	VALVE SYSTEM REP.KIT	
9	1119212	1	BACK-UP RING U-SEAL REP.KIT	
10	6180910	3	THRUST COLLAR COMPL.	
11	3004009	3	O-RING 30.0X2.0 NITRIL 70 SH	
12	6183051	1	SPACER 3 PCS	
13	7302042	2	HOSE SOCKET	
15	6180911	1	CYLINDER BLOCK COMPL.	
16	1117642	1	U-SEAL 3 PCS	
17	1814573	2	SCREW M6X35	
18	3003886	1	O-RING 120.4X1.78 NITRIL 70 SH	
19	6122313	2	PLUG WITH O-RING	
20	1805100	2	HOSE CLIP 8-22MM	
21	5226295	1	HOSE OIL RESISTANT Ø12XØ8	(L=450)
24	6180939	4	STUD	CAS
25	1119201	3	CERAMIC PISTON REP.KIT	1-, USA
25	1119202	1	CERAMIC PISTON REP.KIT	3-
26	7350102	1	GASKET	
30	1119648	1	WOBBLE DISC/BEARINGS 2462/Ø70	CAS1 50 HZ
30	1119650	1	WOBBLE DISC/BEARINGS 2453/Ø70	USA
30	1119655	1	WOBBLE DISC/BEARINGS 2464/Ø70	
30	1119656	1	WOBBLE DISC/BEARINGS 2463/Ø70	
31	6182479	1	BEARING TRACK	
32	1119671	1	SEALING RING F. SHAFT REP.KIT	
33	3202421	1	KEY A 6X6X30	
34	6183392	1	MOTOR 2.3KW 50HZ 1X240V	1X230-240V, 50HZ
34	6183403	1	MOTOR 2.3-2.6KW 60HZ 1X220V	1X220V, 60HZ
34	6183404	1	MOTOR 1.5KW 60HZ 1X115V U	1X115 V, 60HZ
34	6183405	1	ELEC. MOTOR W. KEY	3X230-400V, 50HZ
34	6183407	1	ELEC. MOTOR W. KEY 3X415-44	3X415V, 50HZ
35	7350110	1	AIR-FUNNEL MOTOR 40CAS	
37	6181476	1	SPACER 40CAS FAN	
38	1119643	1	FAN W. CARRIER	
40	6181651	1	VALVE HOUSING	
41	3000072	1	O-RING 10.1X1.6 NITRIL 70SH	
42	6105533	1	PLUG OIL OUTLET	

Motor pump unit

40CAS

11-02-2015

Part List ID
40CAS04

7

Pos	Part no.	Qty	Description
43	6180913	6	HOLE PLUG W. O-RING
44	1803345	2	SCREW M8X30
45	1118512	1	SAFETY VALVE REP.KIT
46	6100940	1	ADJUSTMENT SCREW
47	6100928	1	LOCK NUT
50	6180940	1	VALVE CONE COMPL.
51	3000817	1	O-RING 18.3X2.4 NITRIL 70 SH
52	2602502	1	SPRING
53	3002078	1	O-RING 23.0X3.0 NITRIL 70SH
54	6181652	1	PLUG
55	2602464	1	SPRING
56	6181664	1	SCREWED CONNECTION
57	1804285	1	LOCK NUT M5
58	6180941	1	TIMER PISTON COMPL.
59	6181655	1	CLIP
60	6181668	1	TIMER HOUSING
61	3821437	1	MICRO SWITCH
62	101814698	2	SCREW 3X16
63	7350900	1	RUBBER COVER COMPL.
64	6180916	1	INJECTOR NOZZLE PLASTIC W. O-RING
65	3001674	1	O-RING 19.2X3.0 NITRIL 70SH
66	6180946	1	PRESSURE GAUGE COMPL.
67	1813484	2	SCREW INSEX M6X16
68	6184934	1	OUTLET ELBOW COMPL.
69	7350106	1	PIPE
73	6184475	1	SLEEVE
74	1801075	1	PACKING RING 23.8X17.2X2 3/8 INCH St-NBR
75	6101038	1	PISTON
76	1600493	1	Nippel F. Q-COUPL. 3/8 INCH
76	1603101	1	NIPPLE F/QUICK COUPLING 3/8 SS
77	1609297	2	BRACKET FOR PIPE 30MM
78	1805837	2	SCREW M6 X45 DIN
79	7302021	1	PLATE FOR CABLE FIXTURE
80	6100937	1	FILTER HOUSING
81	6100941	1	FILTER L 7CM
82	3001237	1	GASKET Ø24.5XØ16X3 NITRIL 80SH
83	3000320	1	O-RING 20X3 NITRIL
85	1602945	1	QUICK COUPLING 3/4 W/GASKET
86	1600659	1	LP NIPPLE F. Q.-COUPLING 3/4IN
87	8298	1	HOSE CLIP 16-27
88	1311	1	GEKA COUPLING HOSE END 3/4
89	1718	1	COUPLING GEKA FEMALE - INT THREAD 3/4 IN
90	6502	2	MOULDED GASKET GEKA COUPE

Motor pump unit

40CAS

11-02-2015

Part List ID
40CAS04

8

Pos	Part no.	Qty	Description
91	1609335	1	CONVERTER HIGH PRESSURE

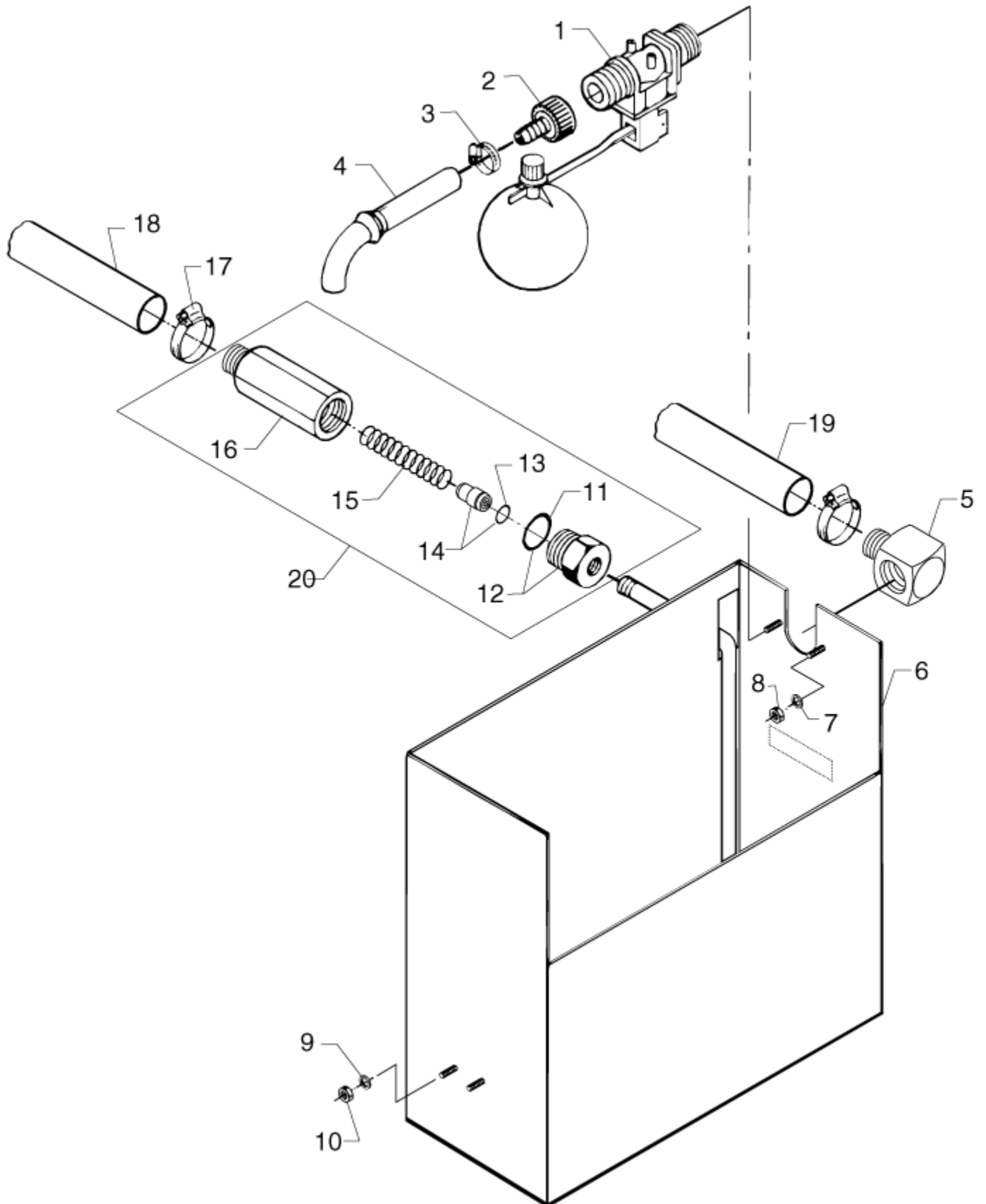
Float chamber

40CAS

11-02-2015

Part List ID
40CAS06

9



Float chamber

40CAS

11-02-2015

Part List ID
40CAS06

10

Pos	Part no.	Qty	Description
1	1117035	1	FLOAT VALVE
2	1402809	1	QUICK COUPLING MALE W. INTERNAL THREAD
3	1805100	1	HOSE CLIP 8-22MM
7	1800887	2	WASHER M4
8	1802974	2	NUT M4 ISO 4032 A2-70
9	1802875	4	SPRING WASHER M6 RF
10	1801893	4	NUT M6 ISO 4032 A2-70
11	3001963	1	O-RING 11.6x2.4 SMS 1586 EPDM70
12	7350905	1	PLUG WITH O-RING
13	3002342	1	O-RING
14	7350904	1	CONE. COMPL.
15	2602501	1	SPRING 68X16
17	8298	2	HOSE CLIP 16-27
20	7350903	1	THROTTLE VALVE