

CR 1300 B

Model:
CR 1300 B
CR 1300 B HYDROMAX



Stückliste Deutsch

06-02-2015

Inhalt

CR 1300 B

Outer body 1	3
Outer body 2	6
Outer body 3	8
BEDIENERKABINE	10
ANTRIEBSPEDAL	13
HINTERACHSE-KARDANWELLE	15
Differential and brakes	18
BREMSPEDAL UND HEBEL	20
Steering and spindle assembly	22
BESENGEHÄUSE-BAUGRUPPE	25
Right door / left blade assemblies	29
RECHTE TÜR / LINKES BLATT BAUGRUPPEN	31
STELLHEBELMONTAGE BAUGRUPPE	33
FRONTSCHÜRZEN BAUGRUPPEN	35
BÜRSTENANTRIEB	37
ABSAUGERBEFESTIGUNG BAUGRUPPE	40
ABSAUGER BAUGRUPPE (VOR SN 1321040)	43
Squeegee assmebly (after SN1321039)	45
FRISCHWASSERSYSTEM (STANDARD)	47
FRISCHWASSERSYSTEM (HYDRO-MAX II)	50
SCHMUTZWASSERTANK (STANDARD)	52
SCHMUTZWASSERTANK (HYDRO-MAX II)	55
VAKUUMSYSTEM	58
LINKES BEDIENFELD	60
RECHTES BEDIENFELD	62
SCHALTPLAN (2052 VOR SN1297858)	64
Electrical diagram (2052 after SN1297857 / all CR1	67
WEARPAK KIT	70
BESENWÄHLER	72
BÜRSTENWÄHLER	74
56459909 - Battery Slide out Kit	76
56456186 - Wand Kit	78
56460088 - Battery Roll out Kit	80
56460099 - Relay Kit	82

Outer body 1

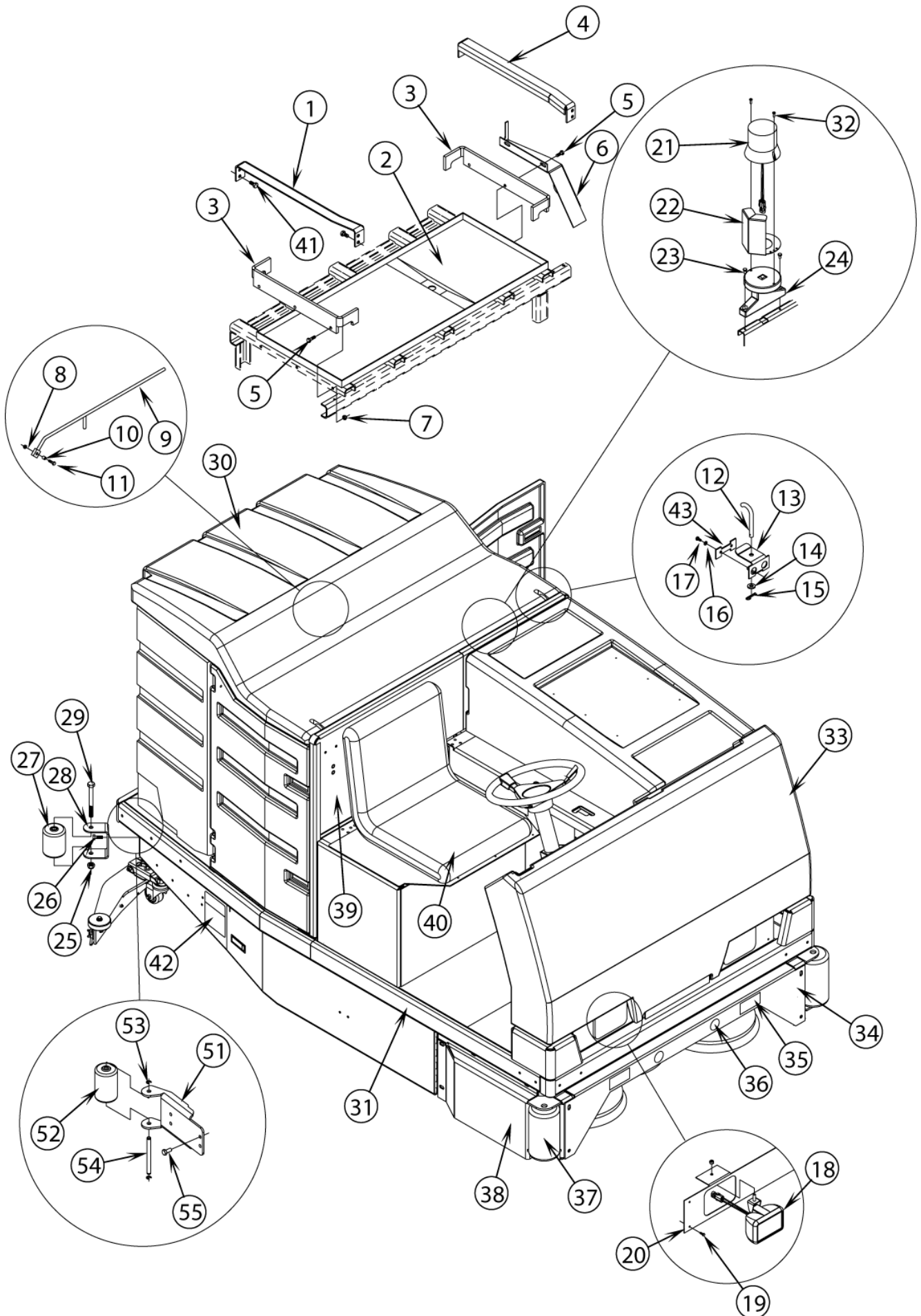
CR 1300 B

06-02-2015

ET-Liste-Nr.

E9912

3



Outer body 1

CR 1300 B

06-02-2015

ET-Liste-Nr.

E9912

4

Pos	Artikelnr.	Me	Beschreibung	
0	56016371	1	DECAL BATTERY	not shown
0	56109306	1	Sicherheitsgurt-Kit	optional
0	56376501	1	BUMPER KIT 2052S INS	optional
0	56456186	1	WAND KIT 2052B INS	optional
0	56459754	1	Fahrerschutzdachzu CR 1300/B	optional
0	56459909	1	KIT BATTERY SLIDE OUT	optional - up to SN 1677159
0	56459953	1	BACK UP ALARM KIT 2052B	optional
0	56460088	1	BATTERY ROLLOUT KIT	optional - after SN 1677159
2	56454401	1	TRAY BATTERY	
5	56002667	6	Schraube 5/16-18 X.75	
6	56459820	1	GUARD BELT	
7	56002701	6	MUTTER 5-16-18 HEX JAM	
8	56002708	1	Stopmutter 1/4-20	
9	56459770	1	PROP ROD WELDMENT	
10	56321532	1	BUSHING .25X.37X.40HC42C	
11	56002093	1	SCR HEX HD 1/4-20 X 1.00	
12	56459699	2	HINGE TOP COVER	
13	56459991	2	RETAINER HINGE	
14	56001879	2	U-SCHEIBEN	
15	56002959	2	Splint zu BA 500	
16	56002098	4	Scheibe	
17	56001854	3	SCHRAUBE HEX HD1/4-20X.50	
18	56416168	2	Scheinwerfer für SR 1600	
18	56482642	1	BULB	
19	56009012	6	Schraube 10-24 x 3/8Siehe 56009039	
20	56459764	1	MTG. HEAD LIGHT	
21	56416433	1	Blitzlampe zu BR 700	
21	56416436	1	Blitzlampe	for 56416433
22	56416589	1	Schirm f. Rundumleuchte	
23	56009033	2	Schraube 1/4-20X1 2HP 5	
24	56454003	2	Abweissrollen-Kit CR 1300	25, 27-29 / before Sept. 2000
24	56459896	1	Anschluß f. Rundumleuchte	
25	56002770	2	Mutter 1/2 - 13	before Sept. 2000
26	56002663	4	SCR HEX HD 3/8-16x1.00	before Sept. 2000
26	56002769	4	Stopmutter 3/8-16	before Sept. 2000
27	56407006	2	Abweisrolle zu BR 850	before Sept. 2000
28	56454265	2	Rollenhalter	before Sept. 2000
29	56002720	2	SCR HEX THD TO HD 1/2-13 X5.00	before Sept. 2000
30	56459686	1	COVER TOP	
30	56459838	1	Dichtung CR 1300	
31	56460058	1	CHASSIS WELDMENT	
32	56002124	2	Schraube10-24 X .62 PNH PH.	
33	56001862	3	SCR HEX HD 5/16-18 X .50	

Outer body 1

CR 1300 B

06-02-2015

ET-Liste-Nr.

E9912

5

Pos	Artikelnr.	Me	Beschreibung
33	56459935	1	FRONT FASCIA
34	56002063	4	"U-Scheibe 3/8""
34	56002663	4	SCR HEX HD 3/8-16x1.00
34	56002769	4	Stopmutter 3/8-16
34	56454691	1	PLATE
35	56025336	2	DECAL FLOW CONTROL
36	56030080	2	Aufkleber
37	56003266	4	Sicherungsring
37	56409335	2	BUMPER ROLLER
37	56409336	2	PIN
38	56002256	5	Schraube 3/8-16x1
38	56002769	2	Stopmutter 3/8-16
38	56454926	1	PANEL WLD. RT.
38	56454927	1	PANEL WLD. LT.
39	56001862	2	SCR HEX HD 5/16-18 X .50
39	56002063	4	"U-Scheibe 3/8""
39	56002256	4	Schraube 3/8-16x1
40	7-69-00008	1	Sitz
41	56002663	8	SCR HEX HD 3/8-16x1.00
42	56014825	1	DECAL BATTERY
42	56015425	2	Sicherheitsaufkleber
43	56459990	2	PLATE FASTENER
44	56459907	2	RETAINER BATTERY
45	56009086	2	NUT, HEX JAM 5/16-18
46	56002667	4	Schraube 5/16-18 X.75
47	56452259	2	CABLE ASSEMBLY
48	56002701	2	MUTTER 5-16-18 HEX JAM
49	56459820	1	GUARD BELT
50	56454401	1	TRAY BATTERY
50	56456379	2	Rollen mit Halterung zu CR 1300 B
			51-55 / after Aug. 2000
51	56455991	2	Abweissrollenhalter
52	56392102	2	Abweisrolle
53	56003264	4	"Benzingring 0,5""
54	56455995	2	Rollerachse CR 1300
55	56002256	4	Schraube 3/8-16x1

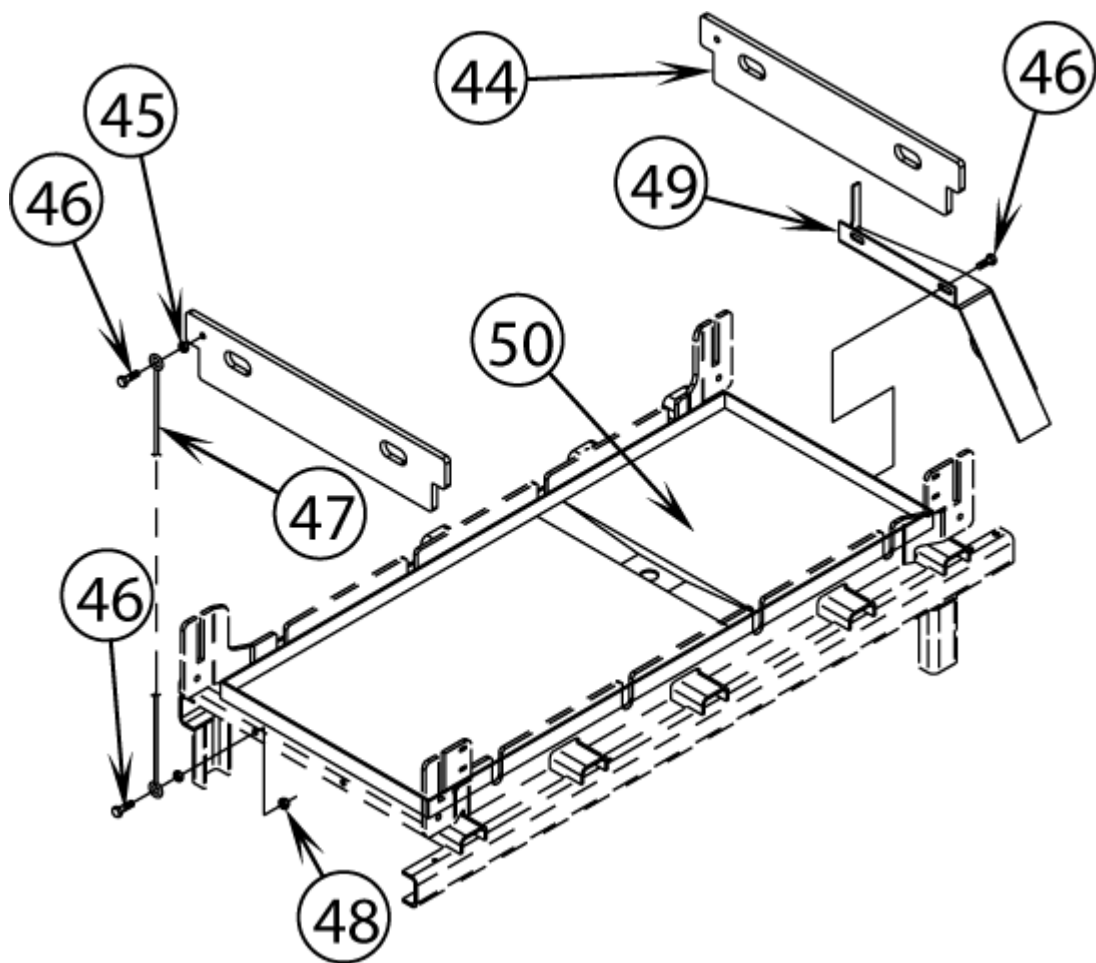
Outer body 2

CR 1300 B

06-02-2015

ET-Liste-Nr. E9913

6



Outer body 2

CR 1300 B

06-02-2015

ET-Liste-Nr. E9913

7

Pos	Artikelnr.	Me	Beschreibung
44	56459907	2	RETAINER BATTERY
45	56009086	2	NUT, HEX JAM 5/16-18
46	56002667	4	Schraube 5/16-18 X.75
47	56452259	2	CABLE ASSEMBLY
48	56002701	2	MUTTER 5-16-18 HEX JAM
49	56459820	1	GUARD BELT
50	56454401	1	TRAY BATTERY

Outer body 3

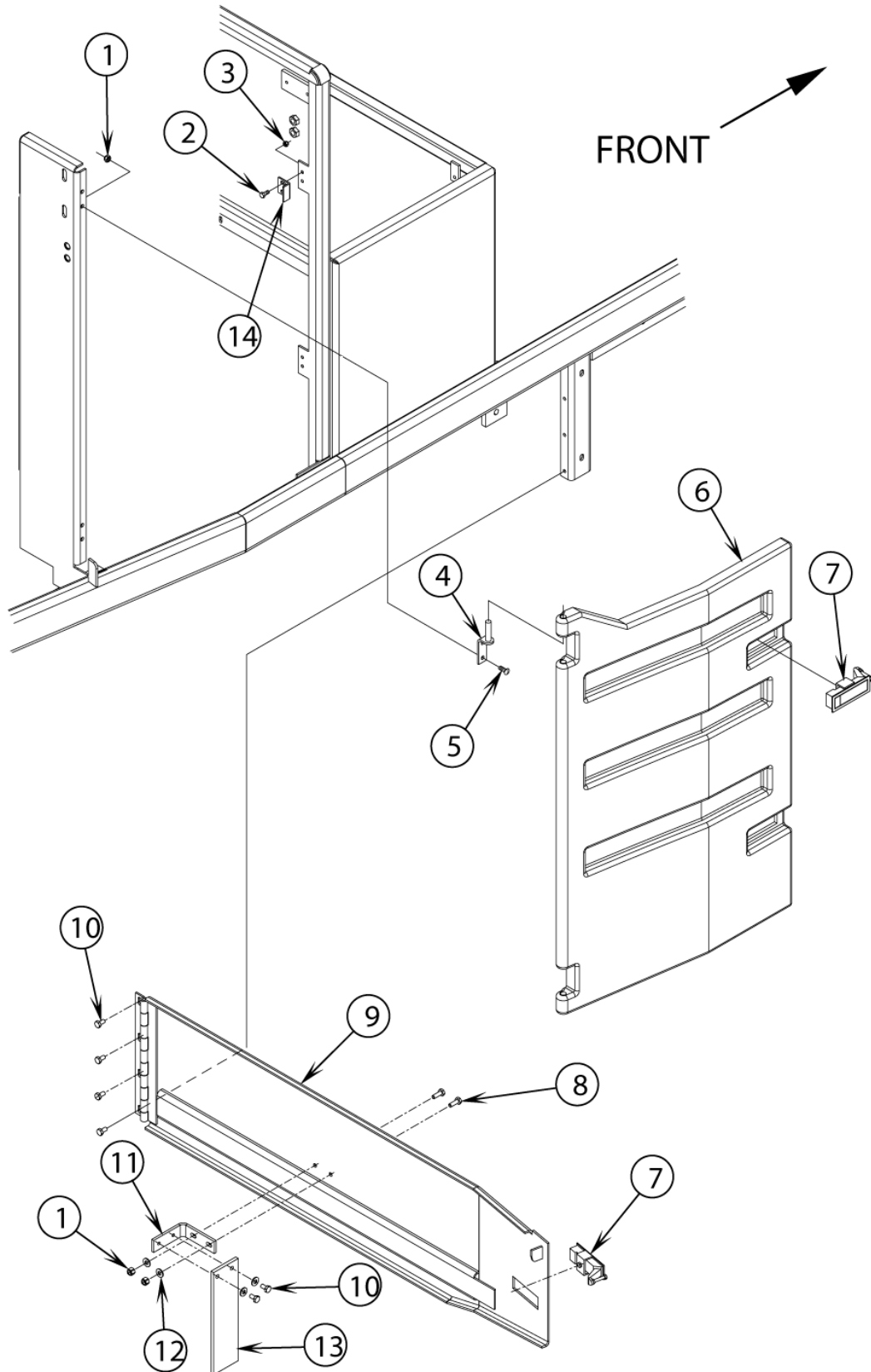
CR 1300 B

06-02-2015

ET-Liste-Nr.

E9914

8



Outer body 3

CR 1300 B

06-02-2015

ET-Liste-Nr.

E9914

9

Pos	Artikelnr.	Me	Beschreibung	
1	56002708	12	Stopmutter 1/4-20	
2	56002503	8	SCR HEX WSH HD 10-24X.50	
3	56002832	8	6-Kt Mutter Nylon	
4	56459776	4	HINGE PIN WELDT	
5	56002711	8	SCHRQAUBE 1/4-20X3/4KONISCH	
6	56459747	1	LEFT BROOM DOOR ASSY	1, 7-13
6	56459748	1	RIGHT BROOM DOOR ASSY	1, 7-13
6	56459755	1	DOOR RIGHT	
6	56459756	1	DOOR LEFT	
7	56418471	6	Verschluss zu CR 1300	
8	56002155	4	SCR HEX 1/4-20 X .75	
9	56459745	1	LEFT DOOR WELDT	
9	56459746	1	RIGHT DOOR WELDT	
10	56009033	12	Schraube 1/4-20X1 2HP 5	
11	56459738	1	MOUNT LEFT SPLASH GUARD	
11	56459741	1	MOUNT RIGHT SPLASH GUARD	
12	56002098	8	Scheibe	
13	56459739	1	Spritzschutz, links	
13	56459742	1	Spritzschutz, rechts	
14	56455105	4	Riegel	

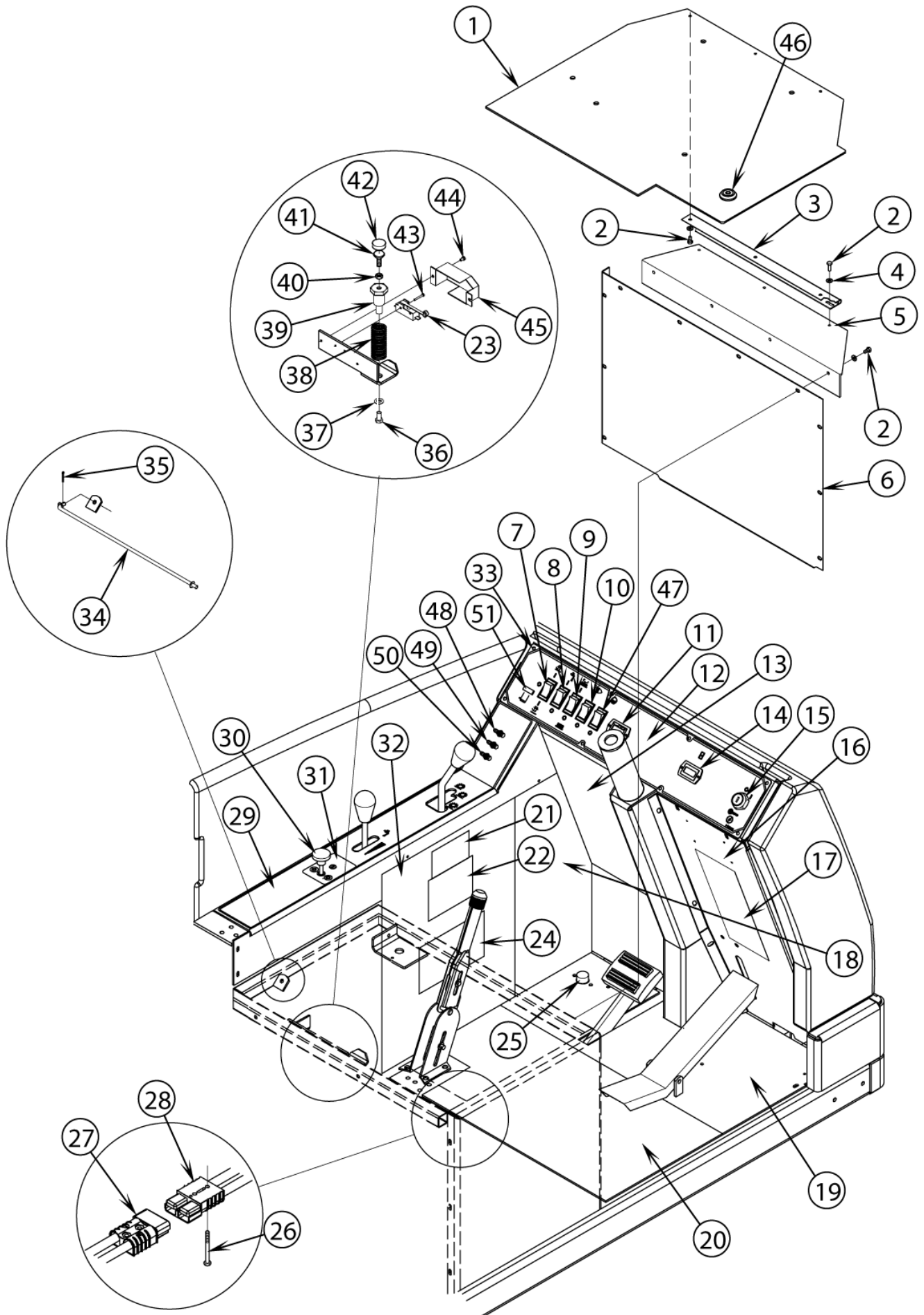
BEDIENERKABINE

CR 1300 B

06-02-2015

ET-Liste-Nr. E9916

10



BEDIENERKABINE

CR 1300 B

06-02-2015

ET-Liste-Nr. E9916

11

Pos	Artikelnr.	Me	Beschreibung	
0	56392845	1	Dichtung f. Ladekontrolle	Not shown
0	56459328	1	HARNESS DASH	Not shown
0	56460006	1	RELAY MODULE ASSY	K8 - Not shown
1	56459743	1	PLATE SEAT	before SN 1483014
1	56463852	1	PLATE SEAT	after SN 1483013
2	56009039	16	SCHRAUBE 1/4-20X1-1/2	
3	56457378	1	HINGE	before SN 1483014
3	56463853	1	HINGE	after SN 1483013
4	56001954	16	WSH FLT SAE 10	
5	56452197	1	ANGLE	before SN 148314
5	56463851	1	ANGLE	after SN 1783013
6	56459744	1	PANEL	
7	56261245	1	Schalter HR 5015	S6
8	56262551	1	SWITCH	S19
9	56377003	1	SWITCH, ROCKER DPDT	S7
10	56262551	1	SWITCH	S5
11	56001830	2	SCR PAN PHIL 6 32 X .50	
11	56002964	2	NUT HEX NYL LOC THINSS6-32	
11	56009056	2	Schraube	
11	56416395	1	FUEL GAUGE BATTERY	P2
12	56016238	1	DECAL CONTROL PANEL	
13	56001954	4	WSH FLT SAE 10	
13	56009039	4	SCHRAUBE 1/4-20X1-1/2	
13	56452146	1	PANEL	
14	56001830	2	SCR PAN PHIL 6 32 X .50	
14	56002964	2	NUT HEX NYL LOC THINSS6-32	
14	56009056	2	Schraube	
14	56392845	1	Dichtung f. Ladekontrolle	
14	56393718	1	STUNDENZAehler	P1
15	56301636	1	Schalter	Main Power / S4
15	56393325	1	Zündschloss	
15	56393415	1	Zündschlüssel Ersatz	
16	56001954	6	WSH FLT SAE 10	
16	56009039	6	SCHRAUBE 1/4-20X1-1/2	
16	56459831	1	PANEL	
17	56014601	1	DECAL, CAUTION	
18	56001954	5	WSH FLT SAE 10	
18	56009039	5	SCHRAUBE 1/4-20X1-1/2	
18	56455022	1	PANEL	
19	56001954	3	WSH FLT SAE 10	
19	56009039	3	SCHRAUBE 1/4-20X1-1/2	
19	56452151	1	FLOOR MAT	
19	56459783	1	FLOOR PLATE WELDMENT	

NOTE: Refer to decal PN56025590 for explanation of codes; "D", "F" and "2".

BEDIENERKABINE

CR 1300 B

06-02-2015

ET-Liste-Nr. E9916

12

Pos	Artikelnr.	Me	Beschreibung
20	56001954	8	WSH FLT SAE 10
20	56009039	8	SCHRAUBE 1/4-20X1-1/2
20	56452147	1	PANEL FLOOR
20	56452148	1	FLOOR MAT
21	56016642	1	DECAL WEAR ITEMS
22	56015427	1	Aufkleber
24	56014517	1	DECAL IMPORTANT
25	56441555	1	Schalter Hape SR 1800 D S9
26	56001874	2	Sechskantschraube 1/4
27	56459841	1	Kabel m. Stecker
28	56457809	1	CONNECTOR ASSY DUAL
29	56016239	1	DECAL CONTROL PANEL
30	56459842	1	Notausschalter CR 1300
31	56014881	1	DECAL EMERGENCY
32	56001954	7	WSH FLT SAE 10
32	56009039	7	SCHRAUBE 1/4-20X1-1/2
32	56455021	1	PANEL
33	56459623	1	PANEL CONTROL
34	56457365	1	ROD WELDMENT
35	56002038	1	PIN COT .09 X 1.00
46	56455982	1	LATCH COMPRESSION
46	56459952	1	SPACER LATCH

NOTE: Refer to decal PN56025590 for explanation of codes; "D", "F" and "2".

ANTRIEBSPEDAL

CR 1300 B

06-02-2015

ET-Liste-Nr. E9918

14

Pos	Artikelnr.	Me	Beschreibung
1	56452154	1	ANGLE
2	56329098	1	BUSHING NYLON .375 HC238F
3	56009033	2	Schraube 1/4-20X1 2HP 5
4	56002832	1	6-Kt Mutter Nylon
5	56452144	3	SCHALTER
6	56002582	6	SCR HEX 6-32 X .88
7	56452168	1	Mount
8	56009019	4	Schraube 1/4-20x.38
9	56002098	2	Scheibe
10	56380648	1	WSH FLT STEEL .219XCR30YE
10	56452172	1	POT ASSY. 11-16,27
11	56452161	1	BRACKET WELDMENT
12	56452142	1	POTENTIOMETER
13	56454036	1	HOSE FUEL LINE E00529
14	56452252	2	SPRING CLAMP
15	56003268	1	Ring
16	56756318	4	LAGER
17	56369004	2	Hülse
18	56452141	1	Feder
19	56452145	2	WSH FLT BRASS .384 E00458
20	56452167	1	BRACKET
21	56001878	1	SCR HEX HD 1/4-20 X 1.25
23	56452174	1	PEDAL WELDMENT
24	56454010	1	PIN
25	56003261	2	Ring
26	56452170	1	MAT PEDAL
27	56002503	1	SCR HEX WSH HD 10-24X.50
28	56452157	1	SHAFT WELDMENT
29	56002504	1	SCR HEX 10-24 X .75
30	56452158	1	STRAP
31	56001954	2	WSH FLT SAE 10
32	56452153	1	COLLAR
33	56002978	2	SCR SOC SET LOC 10-24 X .50
34	56003047	2	SCR HEX SS 1/4-20 X .62
36	56002840	1	Nut 1/4 20
37	56475411	1	BUSHING .25X.37X.48RE244B
38	56376015	3	Nut Plate
39	56002708	2	Stopmutter 1/4-20

HINTERACHSE-KARDANWELLE

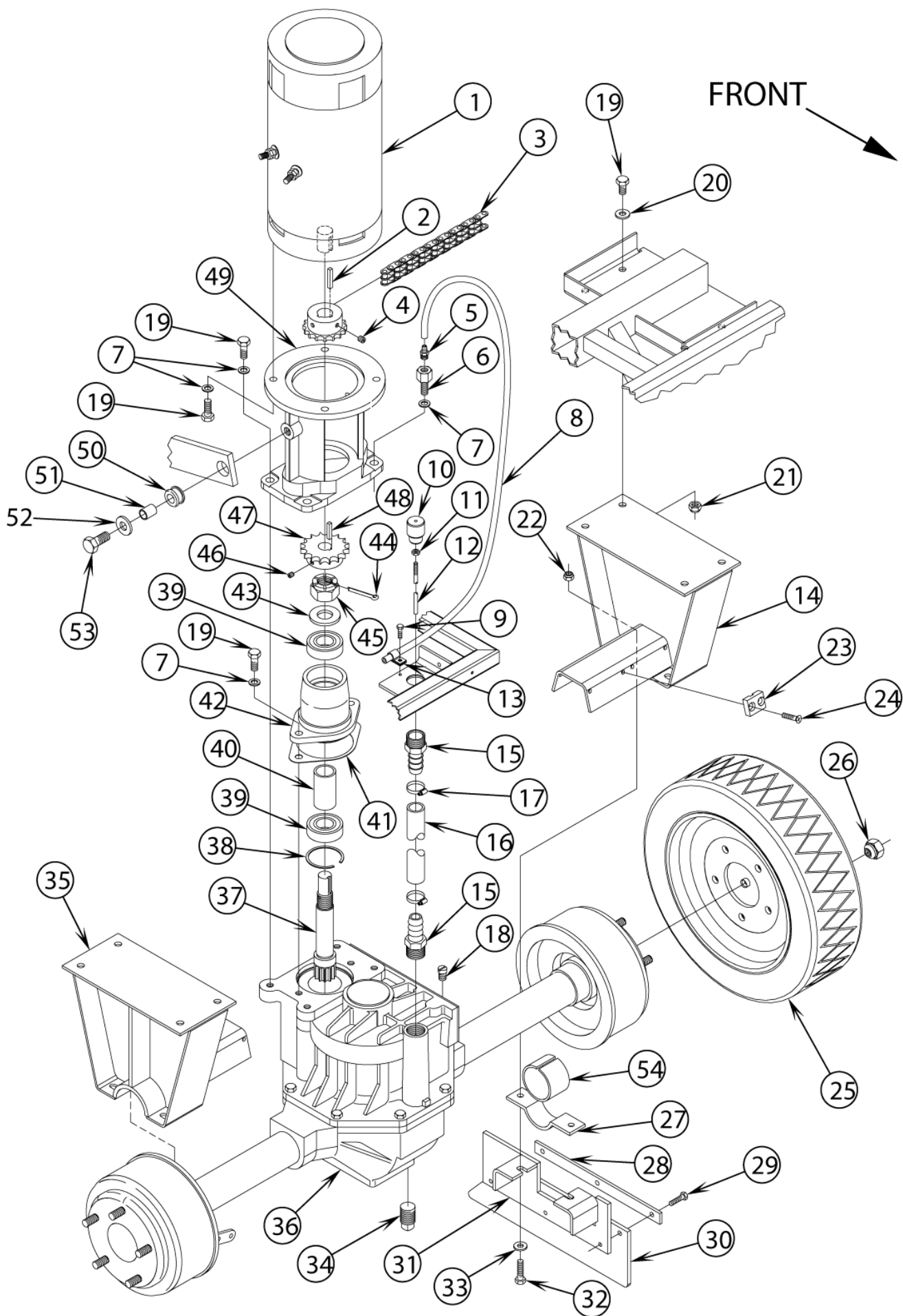
CR 1300 B

06-02-2015

ET-Liste-Nr.

E99110

15



HINTERACHSE-KARDANWELLE

CR 1300 B

06-02-2015

ET-Liste-Nr. E99110

16

Pos	Artikelnr.	Me	Beschreibung
1	56454484	1	MOTOR 36 V DC, 4HP
1	56454485	1	"Kohle Kit CR 1300; Satz"
2	56003241	1	Keil 19 x 1.31
3	56480820	1	KETTE
4	56009131	2	Madenschraube 5/16-18
5	56477522	1	Schlauchnippel 3/16 x 1/8
6	56453487	1	SCREW 3/8-16x1.0
7	56002063	10	"U-Scheibe 3/8""
8	56492744	1	Gummischlauch f. CR 1300
9	56009039	1	SCHRAUBE 1/4-20X1-1/2
10	56453483	1	KNOB 1.00X10-24
11	56009087	1	Muter Hexsam 1/4-20
12	56453478	1	ROD
13	56342319	1	CLAMP CABLE .375 AS211E
14	56453430	1	BRACKET WLDMT LEFT
15	56456801	2	Schlauchnippel 3/4 NPTzu CR 1300
16	56261262	1	HOSE E00521
17	56112771	2	CLAMP HOSE SAE 10
18	56106046	1	PLUG PIPE 1/8 BRASS E00040
19	56002947	17	SCR HEX HD LOC 3/8-18 X 1
20	56002910	8	"Scheibe 3/8""
21	56002769	8	Stopmutter 3/8-16
22	56002701	4	MUTTER 5-16-18 HEX JAM
23	56477884	4	CLAMP CABLE RE418EF
24	56001832	8	SCR FLT PHIL 1/4 20 X 1.00
25	56452199	2	Felge zu 5015 B
25	56452200	2	RAD 14'
25	56452201	2	Rad kompl. zu CR 1300
26	56453469	10	MUTTER
27	56453472	2	STRAP
28	56459352	2	STRAP
29	56009018	6	SCHRAUBE 1/4-20X3/4 HP5
30	56459351	2	GUMMI
31	56459355	1	PLATE WELDT RT.
31	56459356	1	PLATE WELDT LT.
32	56001834	4	Schraube 5/16-18 x 1,25
33	56001939	4	Flachdichtung 5/16
34	56113182	1	PLUG PIPE 1/2 BLK E00040
35	56453435	1	BRACKET WLDMT
36	56453413	1	Hydrostatic Axle
37	56453406	1	Welle
38	56378399	1	RING RET INT 2.04 CR2
39	56479430	2	Kugellager 6205-2RS

HINTERACHSE-KARDANWELLE

CR 1300 B

06-02-2015

ET-Liste-Nr. E99110

17

Pos	Artikelnr.	Me	Beschreibung
40	56453423	1	Distanzstück
41	56453419	1	DICHTUNG
42	56453401	1	Gehäuse f. Welle CR 1300
43	56002228	1	WSH FLT SAE 7/8
44	56002330	1	Splint 19x1,75
45	56110817	1	Kronenmutter
46	56001841	2	Madenschraube
47	56453409	1	SPROCKET
48	56003239	1	KEY, SQ 19 x 1.00
49	56454490	1	ADAPTOR MOTOR E00219
50	56453254	2	GROMMET E00059
51	56367486	2	BUSHING .50X.62X.78CV35G
52	56009017	2	WSH FLT HARDEN 516x938x75
53	56001968	2	Schraube
54	56453258	2	STRIP ISOLATOR

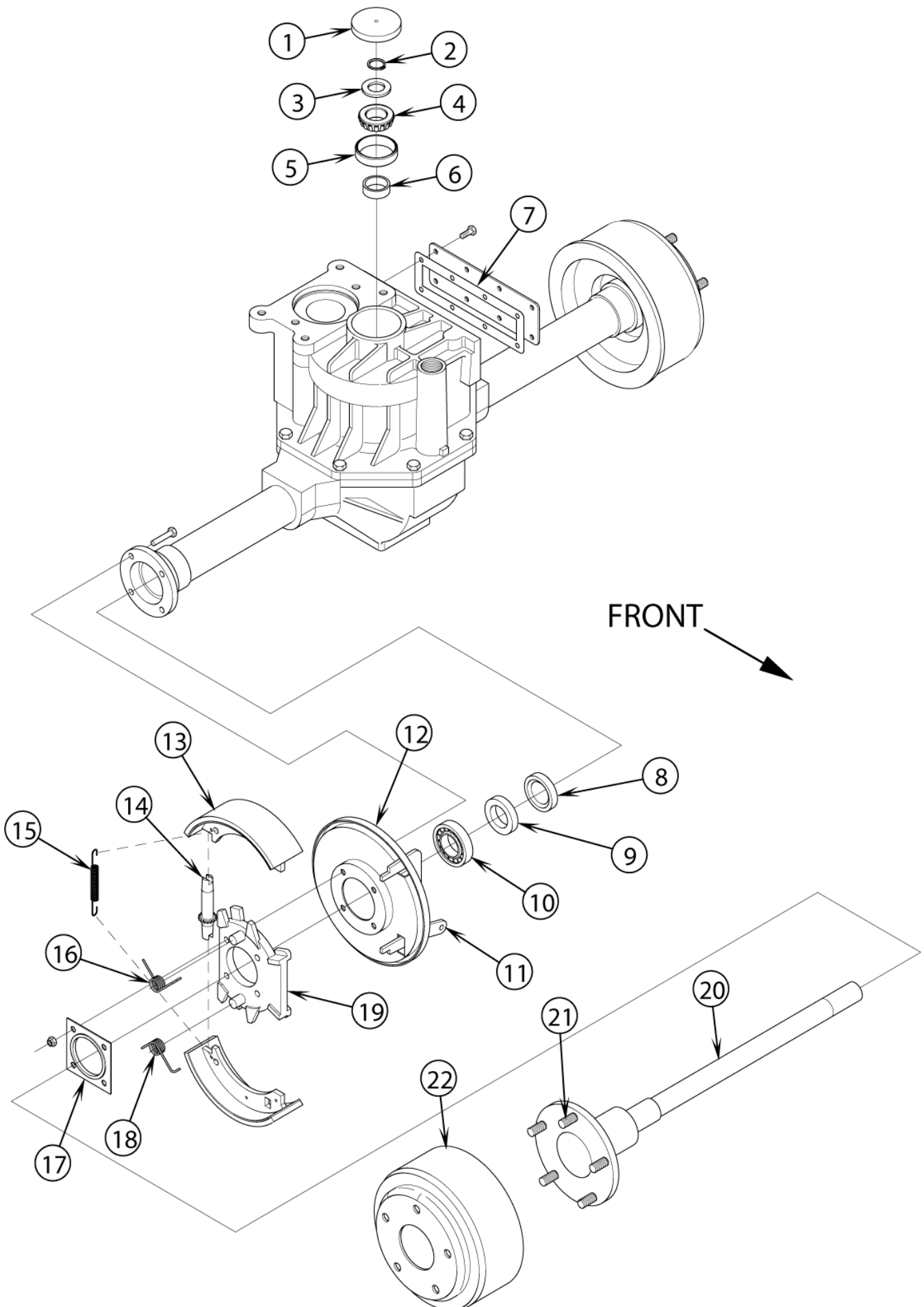
Differential and brakes

CR 1300 B

06-02-2015

ET-Liste-Nr. E99112

18



Differential and brakes

CR 1300 B

06-02-2015

ET-Liste-Nr. E99112

19

Pos	Artikelnr.	Me	Beschreibung
1	56455151	1	EXPANSION PLUG E00095
2	56455150	1	SNAP RING E00095
3	56455149	1	SHIM E00095
4	56455148	1	BEARING CONE E00095
5	56455147	1	BEARING CUP E00095
6	56455146	1	BEARING SPACER E00095
7	56455153	1	SIDE COVER GASKET E00095
8	56455161	2	Dichtring
9	56455159	2	Ring
10	56455158	2	Lager
11	56453425	2	Lever / Hebel
11	56453427	2	KUGELKAEFIG
11	56453429	2	STECKER
12	56453440	2	BREMSSCHILD NOTE
13	56453421	4	Bremsbacken Satz
14	56453415	2	Justierung Ass.
15	56453439	2	FEDER
16	56453433	2	FEDER GRUEN Green
17	56455157	2	Abstreifer
18	56453437	2	FEDER ROT Red
19	56503022	2	SCHEIBE NOTE
20	56455156	2	Achswelle zu CR 1300
21	56455155	10	RADSCHRAUBE FÜR 5015B
22	56453414	2	BREMSTROMMEL

NOTE: Re-assemble using a 1/16" (1.5 mm) bead of silicone sealant.

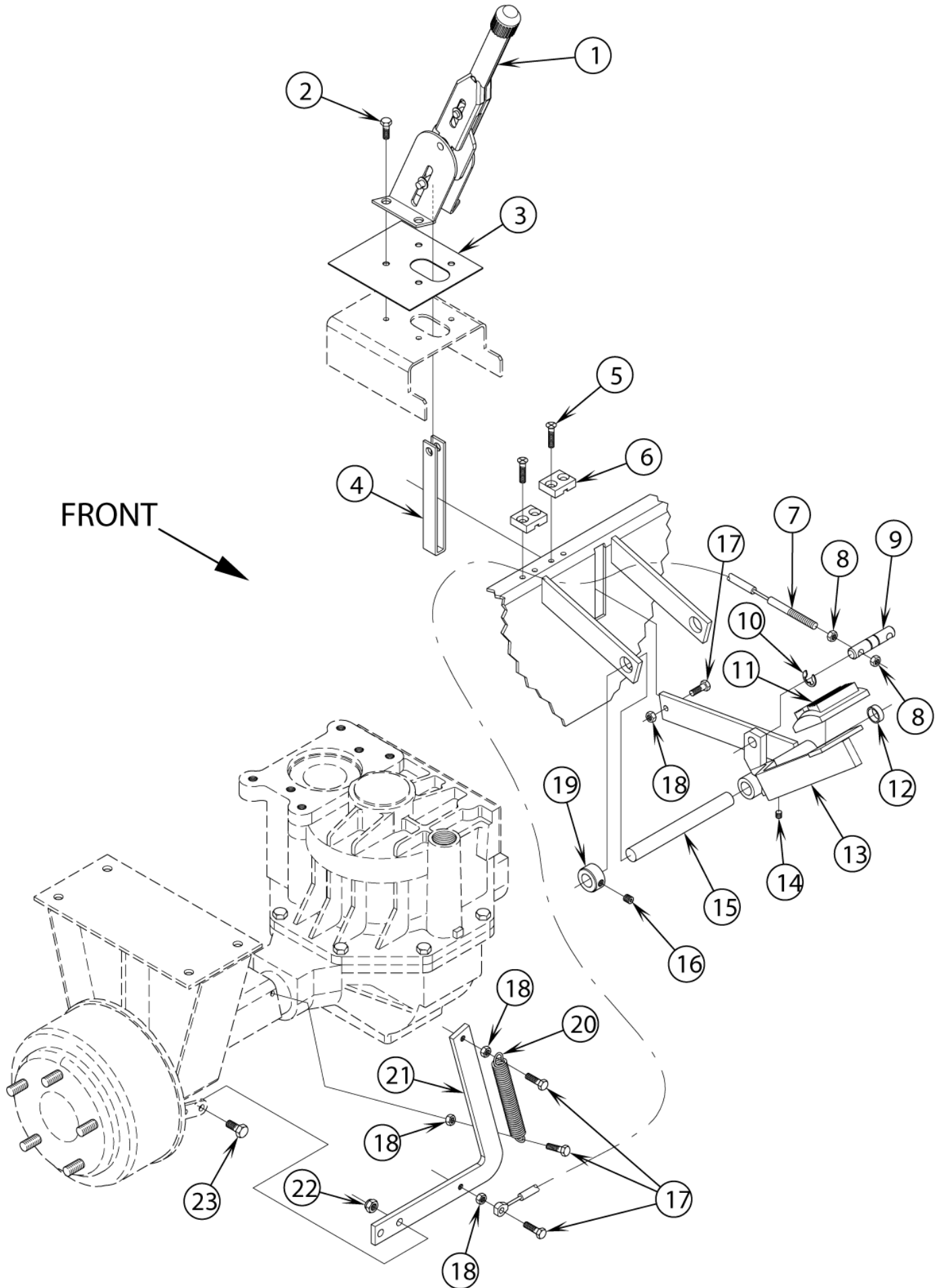
BREMSPEDAL UND HEBEL

CR 1300 B

06-02-2015

ET-Liste-Nr. E99114

20



BREMSPEDAL UND HEBEL

CR 1300 B

06-02-2015

ET-Liste-Nr. E99114

21

Pos	Artikelnr.	Me	Beschreibung
1	56448200	1	LEVER ASSY BRAKE CV618B
2	56009033	4	Schraube 1/4-20X1 2HP 5
3	56454956	1	MAT FLOOR
4	56453964	1	STRAP
5	56001832	4	SCR FLT PHIL 1/4 20 X 1.00
6	56477884	2	CLAMP CABLE RE418EF
7	56468460	2	Bremskabel
8	56009086	4	NUT, HEX JAM 5/16-18
9	56453966	1	PIN
10	56003264	2	"Benzingring 0,5""
11	56365002	1	Pad, Rubber
12	56478781	2	LAGER
13	56453950	1	LEVER WELDMENT
14	56001841	1	Madenschraube
15	56453958	1	ROD
16	56009131	2	Madenschraube 5/16-18
17	56002155	7	SCR HEX 1/4-20 X .75
18	56009086	7	NUT, HEX JAM 5/16-18
19	56367354	2	Collar Shaft .625 CV3
20	56448112	2	SPRING EXTENSION
21	56453460	2	LEVER WELDMENT
22	56002701	4	MUTTER 5-16-18 HEX JAM
23	56002221	4	SCR HEX HD 5/16-18 X 1.00

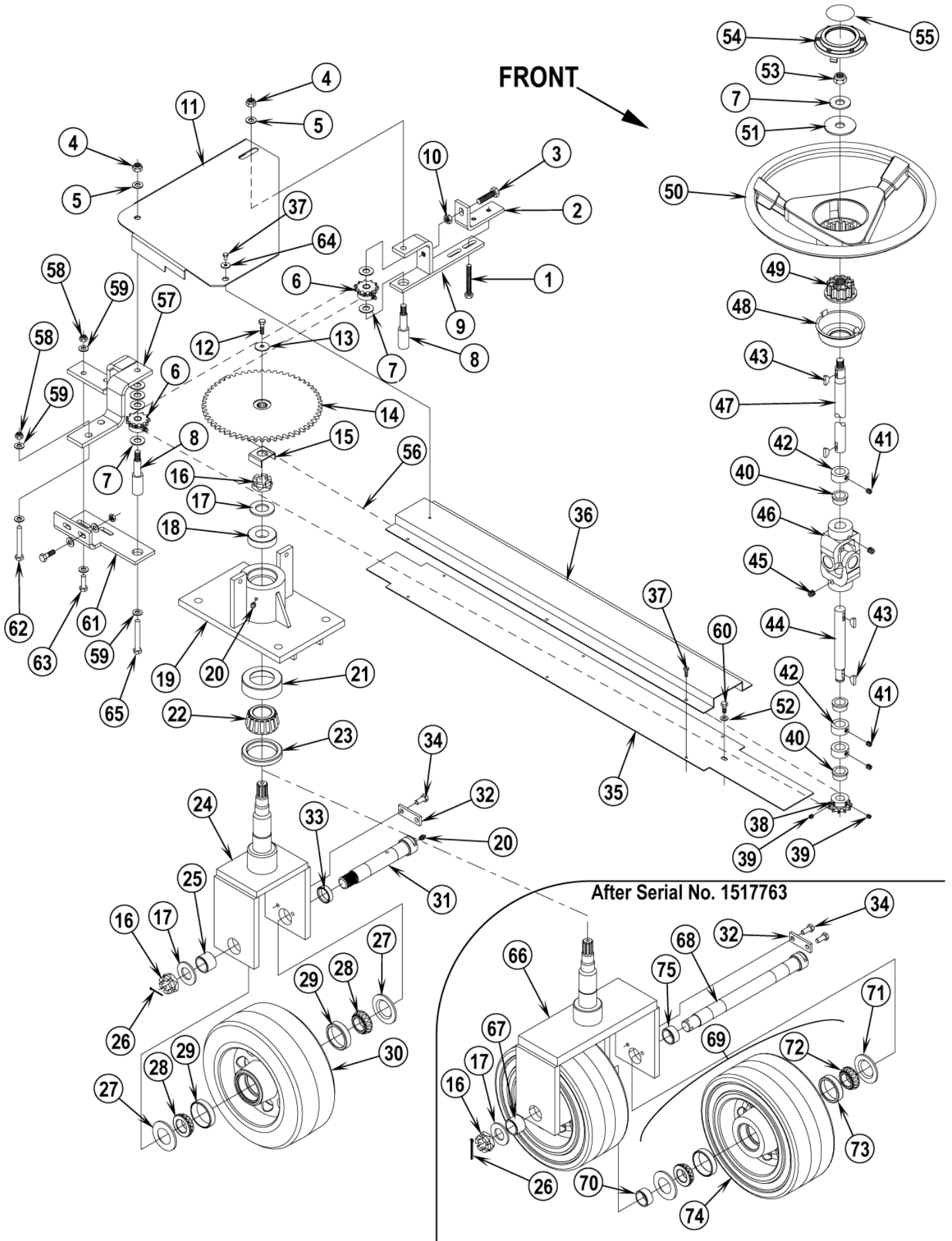
Steering and spindle assembly

CR 1300 B

06-02-2015

ET-Liste-Nr. E99116

22



Steering and spindle assembly

CR 1300 B

06-02-2015

ET-Liste-Nr. E99116

23

Pos	Artikelnr.	Me	Beschreibung
1	56002154	2	SCR HEX THD/HD 5/16-18 X 2.75
2	56454118	1	ANGLE
3	56002747	1	SCR HEX THD/HD 3/8-16 X 1.50
4	56002769	1	Stopmutter 3/8-16
5	56002063	1	"U-Scheibe 3/8""
6	56101737	2	Schmiernippel
6	56366633	4	LAGER
6	56454079	2	Antriebsritzel
7	56002168	7	WSH FLT CUT 1/2
8	56454109	1	STIFT
9	56454121	1	BRACKET WELDMENT
10	56002769	1	Stopmutter 3/8-16
11	56459693	1	GUARD CHAIN
12	56001821	1	SCR HEX HD 1/4-20 X .88
13	56009002	1	UNTERLEGSCHIEBE, FLACH
14	56453526	1	KETTENRAD
15	56453031	1	Antriebsrad kpl. mit
16	56110817	2	Kronenmutter
17	56002228	2	WSH FLT SAE 7/8
18	56378380	1	Kugellager 0.9843
19	56459861	1	Lagerbock
20	56101737	2	Schmiernippel
21	56900074	1	Lagerschale
22	56101370	1	Gewinde
23	56103845	1	SIMMERING 53x73x11
24	56459638	1	Lenkgabel
25	56453561	1	BUECHSE
26	56002181	1	PIN COT .12X1.50
26	56459629	1	Rad f. CR 1300 kpl.
27	56448169	2	SEAL WHEEL CV615N
28	56900073	2	BEARING CUP E00135
29	56448171	2	BEARING CONE E00134
30	56459626	1	Rad 10x5
31	56455535	1	Achse zu CR 1300
32	56453562	1	Sicherungsplatte
33	56448167	1	BUECHSE
34	56002956	2	Schraube HEX LOC 5/16-18
35	56454103	1	PANEL CHAIN GUARD
36	56454106	1	PANEL CHAIN GUARD
37	56009012	7	Schraube 10-24 x 3/8 Siehe 56009039
38	56454098	1	ZAHNRAD
39	56002930	2	Madenschraube BR 1300 S

NOTE:

Quantities are for one wheel assembly.

After SN 1517763:

Pos.: 66, 67, 68, 69, 70, 71, 72, 73, 74, 75

Steering and spindle assembly

CR 1300 B

06-02-2015

ET-Liste-Nr. E99116

24

Pos	Artikelnr.	Me	Beschreibung	
40	56250414	3	Bearing Flange/Lager	
41	56002086	3	Madenschraube	
42	56367095	3	Ring zu 5015B	
43	56003228	4	KEY, WDF 606	
44	56454096	1	SHAFT	
45	56003081	2	SCR SOC SET LOC 3/8 16 X .38	
46	56454081	1	Kreuzgelenk zu 5015B	
47	56454093	1	SHAFT STEERING	
48	56497308	1	Verschaltung Lenkwelle	
49	56497560	1	Adapter	
50	56497306	1	Lenkrad cu CR 1300	
51	56497542	1	Unterlegscheibe	
52	56002098	1	Scheibe	
53	56002773	1	MUTTER 1/2-20	
54	56497543	1	CAP	
55	56016421	1	Logo N-A	
56	56445118	1	LINK OFFSET CV491Y	
56	56454100	1	Steuerkette	
57	56459778	1	SPROCKET SUPPORT WELDT	
58	56002826	4	NUT HEX NYLOC THIN 5/16-1	
59	56001939	8	Flachdichtung 5/16	
60	56009033	1	Schraube 1/4-20X1 2HP 5	
61	56459697	1	BASE	
62	56002827	2	SCR HEX 5/16-18x3.50	
63	56002221	4	SCR HEX HD 5/16-18 X 1.00	
64	56001954	1	WSH FLT SAE 10	
65	56002426	1	SCR HEX HD 5/16-18x2.50	
66	56453067	1	Gabel f. Doppelrad	
67	56453029	1	Büchse zu CR 1300	
68	56453064	1	Achse zu CR 1300	
69	56369128	1	GREASING LUBE 1/4-28 CV85C	
69	56453068	2	Rad vorne CR 1300	
70	56460185	1	Büchse CR 1300B	TSBUS2004-859
71	56448169	2	SEAL WHEEL CV615N	NOTE
72	56448171	2	BEARING CONE E00134	NOTE
73	56900073	2	BEARING CUP E00135	NOTE
74	56453003	1	Hinterrad CR 1300nicht mehr bestellen	NOTE
75	56460184	1	Büchse CR 1300	TSBUS2004-859

NOTE:

Quantities are for one wheel assembly.

After SN 1517763:

Pos.: 66, 67, 68, 69, 70, 71, 72, 73, 74, 75

BESENGEHÄUSE-BAUGRUPPE

CR 1300 B

06-02-2015

ET-Liste-Nr. E99118

26

Pos	Artikelnr.	Me	Beschreibung
1	56001836	2	Schraube 1/4-20x0.62
2	56001954	3	WSH FLT SAE 10
3	56001967	2	Schraube HEX HD 1/4-20 x
4	56002021	4	5/16-18x3/8 set screw
5	56002035	4	002721X HD 5/16-18X.62
6	56002063	4	"U-Scheibe 3/8""
7	56002221	10	SCR HEX HD 5/16-18 X 1.00
8	56002225	4	Bolzen SPR.31x1,50
9	56002701	4	MUTTER 5-16-18 HEX JAM
A	56200972	1	LAGER
B	56171216	1	ROLLE
C	56372773	1	Kugellager zu AX 300
D	56456326	1	Ring
E	56009122	1	Unterlegscheibe
F	56002922	1	SCR HEX LOC 1/4-20 X .62
G	56479430	2	Kugellager 6205-2RS
H	56470636	1	Bürstenklaue zu SR 1600
I	56470728	1	Hülse 1,0 x 1,2 x 0,9
J	56002141	1	WSH FLT SAE 3/4
K	56002862	1	Mutter 3/4 - 10
L	56479430	2	Kugellager 6205-2RS
M	56453767	1	Freilauf satz
N	56453763	1	Schraube CR 1300
O	56002141	1	WSH FLT SAE 3/4
P	56002862	1	Mutter 3/4 - 10
10	56002708	4	Stopmutter 1/4-20
11	56002747	2	SCR HEX THD/HD 3/8-16 X 1.50
12	56002832	3	6-Kt Mutter Nylon
13	56002896	3	Schraube SS10-24X0
14	56002769	2	Stopmutter 3/8-16
15	56003219	1	Mutter Zoll LOC SS 3/8 16
16	56003261	4	Ring
17	56003262	2	Ring
18	56002946	1	Keil
19	56009012	2	Schraube 10-24 x 3/8Siehe 56009039
20	56009018	4	SCHRAUBE 1/4-20X3/4 HP5
21	56009019	3	Schraube 1/4-20x.38
22	56009033	9	Schraube 1/4-20X1 2HP 5
23	56009063	2	SCR HEX THD FORM 10-24X .25
24	56009122	4	Unterlegscheibe
25	56009087	4	Muter Hexsam 1/4-20
26	56409141	1	PULLEY, CABLE

Note 1: Be sure of correct assembly, four Screws (20) go in the bottom holes of Guides (48) through the Spacers (41) and then they must go into the corresponding bottom holes in the broom housing.

BESENGEHÄUSE-BAUGRUPPE

CR 1300 B

06-02-2015

ET-Liste-Nr. E99118

27

Pos	Artikelnr.	Me	Beschreibung
27	56444820	2	Kragenring 1.0x1.5x.5
28	56444944	2	Flansch
29	56448112	1	SPRING EXTENSION
30	56453615	1	Flachriemen
31	56453721	1	HEBEL
31	56453722	1	IDLER ASSEMBLY
32	56453730	1	Hebelarm
33	56453742	1	LEVER WELDMENT
34	56453750	1	ARM WELDMENT
34	56453760	1	Seitenbesen Arm CR 1300
35	56453759	1	ARM WELDMENT
35	56453765	1	Seitenbesen Arm CR 1300
36	56453770	1	WELLE
37	56453780	1	MOUNT WELDMENT
38	56453852	1	PLATE
39	56453859	1	STRAP
40	56453868	1	Spritzgummi
41	56455298	4	Distanzstück
42	56455300	2	Bolzen
43	56365068	4	SPRING EXT .62X2.50CA333G
44	56459156	1	STRAP
45	56459157	1	Front-Gummilippe CR 1300
46	56459158	1	ANGLE
47	56459659	1	Bowdenzug, links
48	56459708	2	Gleitführung
49	56003166	1	PIN CLEVIS .250 X 1.25
50	56030080	1	Aufkleber
51	56459725	1	GUARD PULLEY
52	56459728	1	BROOM HOUSING WELDT
53	56459730	1	Spritzgummi links CR 1300
54	56459732	1	RIGHT DOOR ASSY
55	56472091	1	Dichtung .375x.375x18
56	56479273	2	PILLOW BLOCK RE460FC
57	56364527	1	Knauf 1.62x5/16-18 CA3
58	56454133	1	HEBEL
59	56001939	2	Flachdichtung 5/16
60	56002929	2	SCR HEX HD LOC 5/16-18X
61	56002582	2	SCR HEX 6-32 X .88
62	56388019	1	SCHALTER
63	56454154	1	BRACKET SWITCH
64	56009012	2	Schraube 10-24 x 3/8 Siehe 56009039
65	56454150	1	Kabel

Note 1: Be sure of correct assembly, four Screws (20) go in the bottom holes of Guides (48) through the Spacers (41) and then they must go into the corresponding bottom holes in the broom housing.

BESENGEHÄUSE-BAUGRUPPE

CR 1300 B

06-02-2015

ET-Liste-Nr. E99118

28

Pos	Artikelnr.	Me	Beschreibung
66	56454152	1	TURNBUCKLE
67	56350079	1	ROD LINKAGE AL10C
68	56002946	1	Keil
69	56002098	1	Scheibe
70	56002155	1	SCR HEX 1/4-20 X .75
71	56454142	1	BAR WELDMENT
72	56003265	1	Sprengring
73	56320595	2	BUECHSE
74	56454457	1	Motor 36 V, 1 HP
74	56468382	1	"Kohle BR 1100; 2 StkCR 1300"
75	56453779	1	MOUNT WELDMENT
76	56002769	2	Stopmutter 3/8-16
77	56001873	2	SCR HEX 3/8 16 X 2.50
78	56453772	1	Pulley (Riemenscheibe)
79	56003240	1	Keil
80	56009025	1	WASHER, FLT
81	56459244	1	HOPPER WELDMT.
82	56505001	1	Kehrwalze zu 5015B und zu CR 1300/P

Note 1: Be sure of correct assembly, four Screws (20) go in the bottom holes of Guides (48) through the Spacers (41) and then they must go into the corresponding bottom holes in the broom housing.

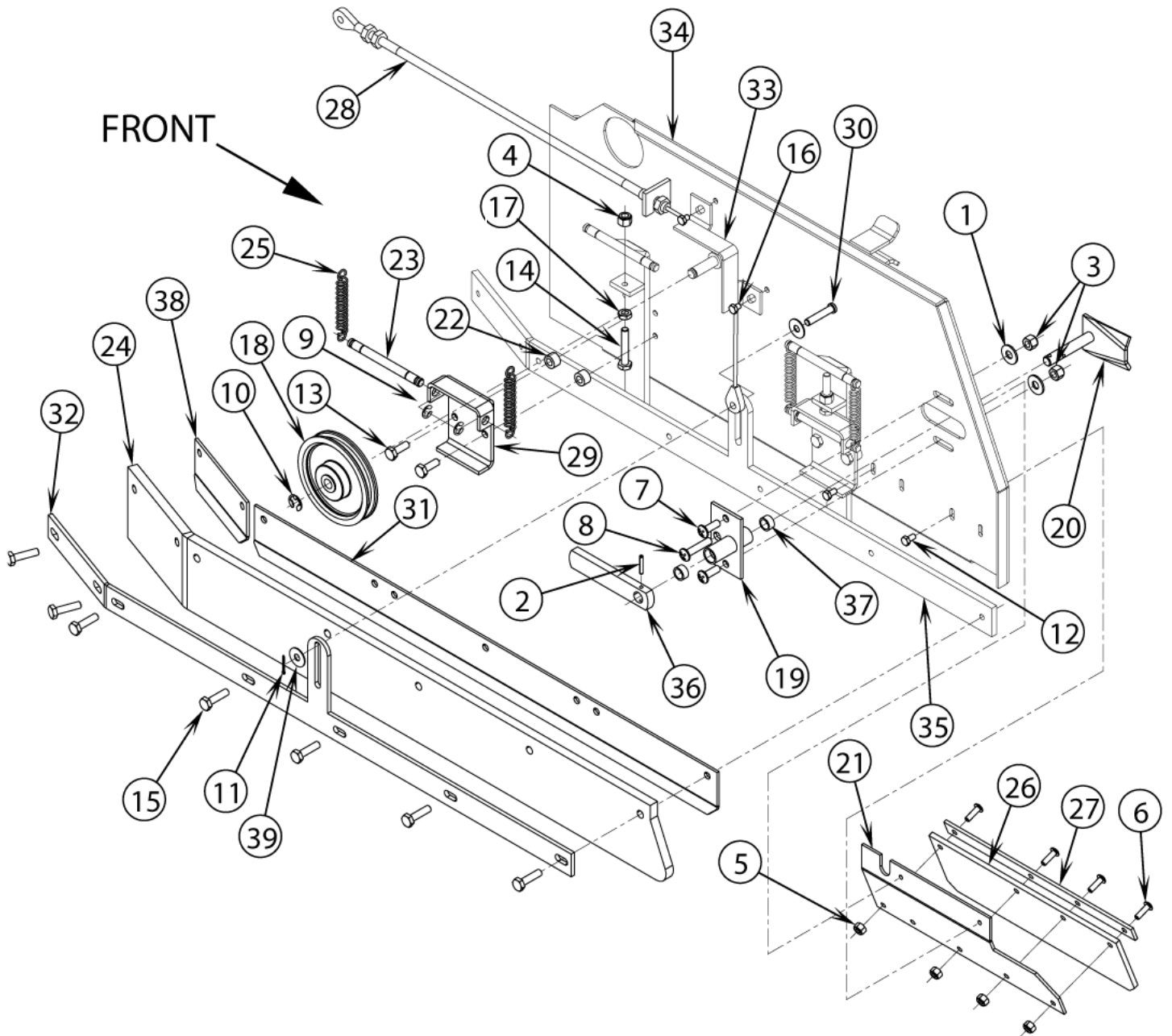
Right door / left blade assemblies

CR 1300 B

06-02-2015

ET-Liste-Nr. E99120

29



Right door / left blade assemblies

CR 1300 B

06-02-2015

ET-Liste-Nr. E99120

30

Pos	Artikelnr.	Me	Beschreibung
1	56001906	2	WSH FLT CUT 1/4
2	56001984	1	PIN SPR .12 X .75
3	56002491	2	Stopmutter 1/4-20
3	56459852	1	Gummi links zu CR 1300
4	56002708	2	Stopmutter 1/4-20
5	56002836	4	NUT HEX NY LOC SS 10-24
6	56002896	4	Schraube SS10-24X0
7	56002957	2	Schraube SS 1/4 - 20 X
8	56002958	1	Schraube
9	56003261	4	Ring
10	56003262	1	Ring
11	56002946	1	Keil
13	56009018	4	SCHRAUBE 1/4-20X3/4 HP5
			See TSB 725 - Note 1
15	56009054	7	Schraube 1/4 - 20x1
16	56009063	2	SCR HEX THD FORM 10-24X .25
17	56009087	2	Muter Hexsam 1/4-20
18	56409141	1	PULLEY, CABLE
19	56453680	1	Türverriegelung Adv .5000
20	56453690	1	Türverriegelung Adv .5000
21	56453854	1	PLATE
22	56455298	4	Distanzstück
			See TSB 725 - Note 1
23	56455300	2	Bolzen
24	56455302	1	Gummileiste, rechts
24	56459853	1	Gummi rechts zu CR 1300
25	56365068	4	SPRING EXT .62X2.50CA333G
26	56459415	1	Gummi zu CR 1300 nicht mehr bestellen
27	56459416	1	STRAP
28	56459660	1	Kabelzug rechts CR 1300
29	56459708	2	Gleitführung
30	56003166	1	PIN CLEVIS .250 X 1.25
31	56455753	1	Halteschiene f. Gu-Leiste
32	56459712	1	PLATE RIGHT SIDE ACTUATOR
33	56459725	1	GUARD PULLEY
34	56459733	1	DOOR WELDMENT
35	56459734	1	RIGHT BLADE WELDT
36	56479371	1	HANDLE RE460HB
37	56491658	2	BEARING, SLEEVE
38	56455751	1	Gummileiste, kurz, hinten
39	56009025	2	WASHER, FLT

RIGHT DOOR ASSEMBLY

Note 1: Be sure of correct assembly, four Screws (13) go in the bottom holes of Guides (29) through the Spacers (22) and then they must go into the corresponding bottom holes in the door weldment.

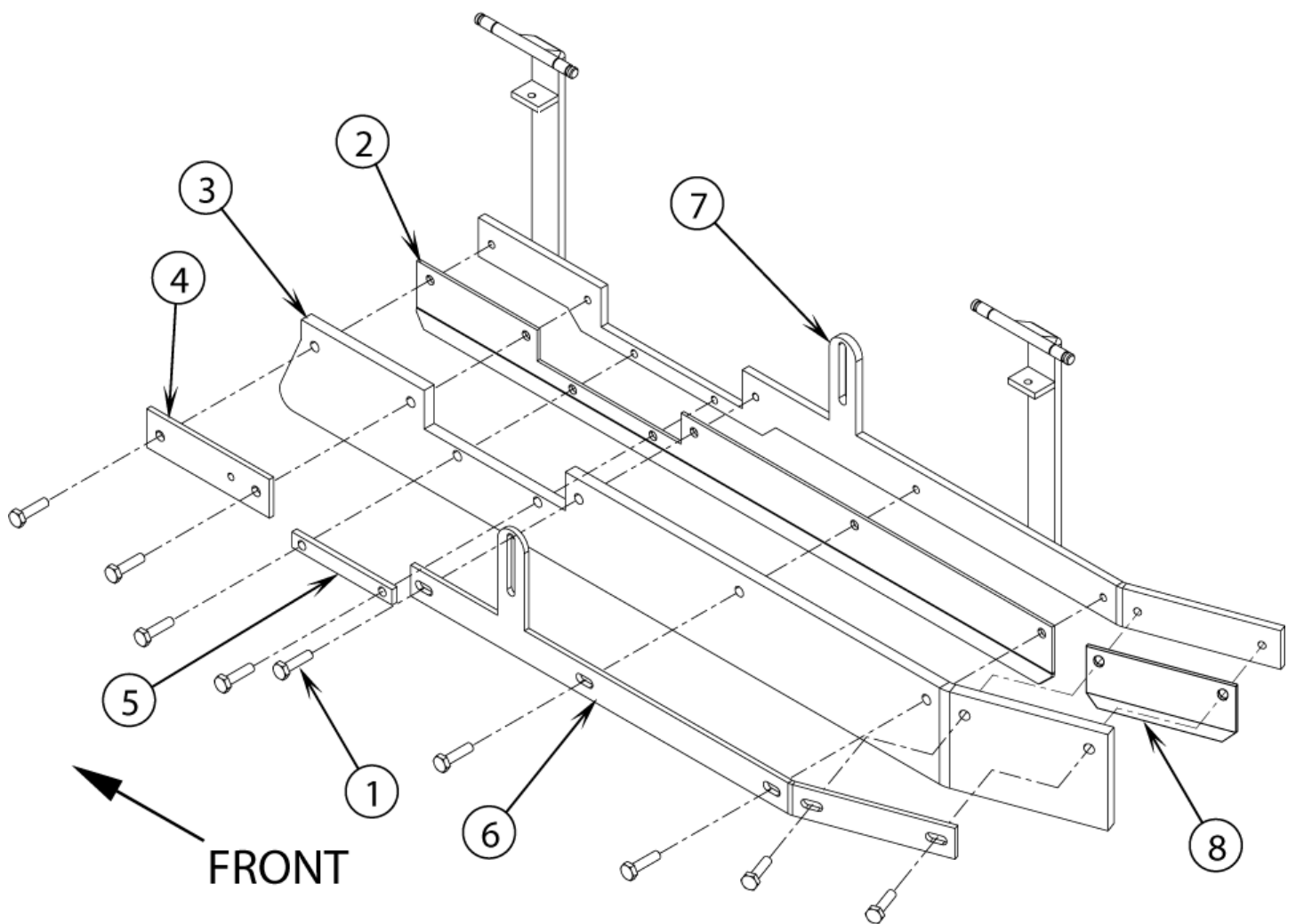
RECHTE TÜR / LINKES BLATT BAUGRUPPE

CR 1300 B

06-02-2015

ET-Liste-Nr. E99121

31



RECHTE TÜR / LINKES BLATT BAUGRUPPE

CR 1300 B

06-02-2015

ET-Liste-Nr.

E99121

32

Pos	Artikelnr.	Me	Beschreibung
1	56009054	9	Schraube 1/4 - 20x1
2	56455755	1	Blech
3	56455356	1	Gummi links zu CR 1300
3	56459852	1	Gummi links zu CR 1300
4	56458898	1	STRAP
5	56459257	1	Flacheisen 95x12x5
6	56459707	1	PLATE LEFT SIDE ACTUATOR
7	56459731	1	Blech
8	56455751	1	Gummileiste, kurz, hinten

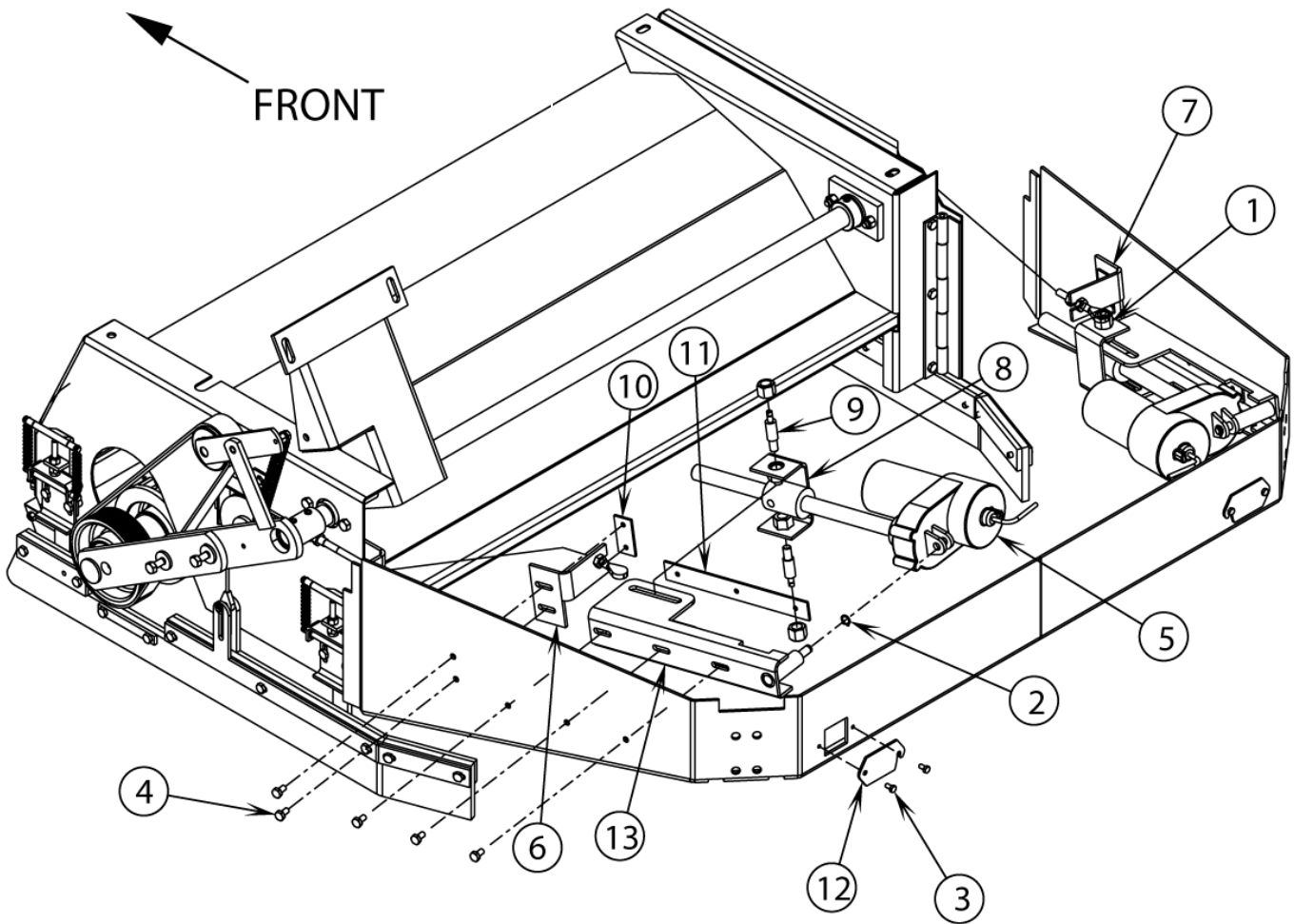
STELLHEBELMONTAGE BAUGRUPPE

CR 1300 B

06-02-2015

ET-Liste-Nr. E99122

33



STELLHEBELMONTAGE BAUGRUPPE

CR 1300 B

06-02-2015

ET-Liste-Nr.

E99122

34

Pos	Artikelnr.	Me	Beschreibung
1	56002770	4	Mutter 1/2 - 13
2	56003253	2	RING RET EXT
3	56009012	4	Schraube 10-24 x 3/8 Siehe 56009039
4	56009033	10	Schraube 1/4-20X1 2HP 5
5	56388520	1	Spindelmutter
5	56391627	2	MOTOR Bürsten, Saugfusszu BR 1000, BA 70
5	56470431	1	Kohlen Satz
6	56459716	1	MOUNT REAR LEFT CABLE
7	56459718	1	MOUNT REAR RIGHT CABLE
8	56459719	2	Befestigung
9	56459720	4	Bolzen
10	56459722	2	PLATE NUT
11	56459723	2	PLATE NUT
12	56459751	2	COVER ACCESS
13	56459781	2	Halterung

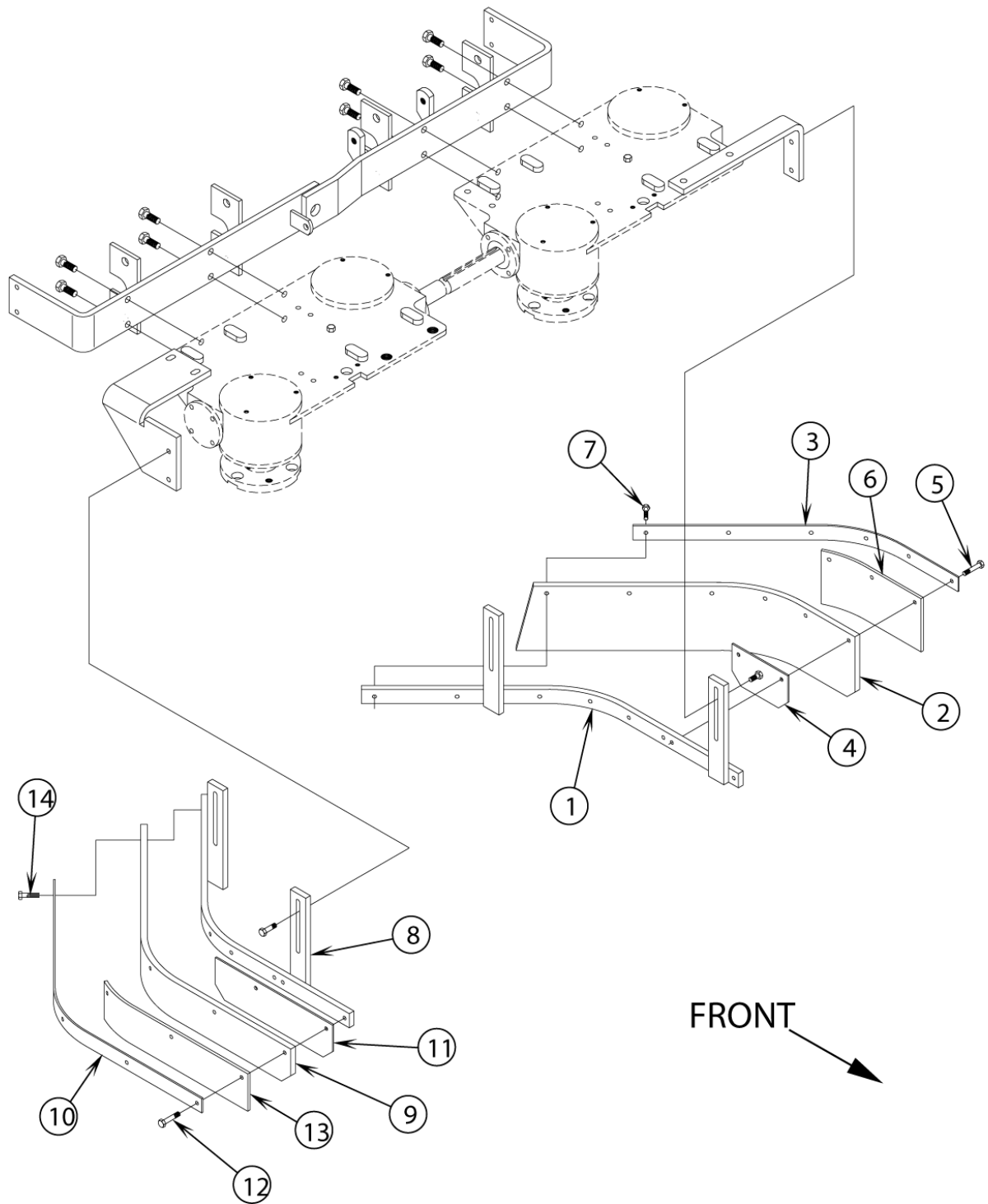
FRONTSCHÜRZEN BAUGRUPPEN

CR 1300 B

06-02-2015

ET-Liste-Nr. E99124

35



FRONTSCHÜRZEN BAUGRUPPEN

CR 1300 B

06-02-2015

ET-Liste-Nr. E99124

36

Pos	Artikelnr.	Me	Beschreibung
0	56458878	1	Skirt Assy , right
0	56458880	1	Skirt Assy , links
1	56458852	1	MOUNT WELDMENT L
2	56459854	1	Seitengummi VL zu 2052
3	56458874	1	STRAP
4	56458934	1	PLATE
5	56009088	3	Schraube 1/4-20X1
6	56458930	1	Spritzgummi linksnicht mehr bestellen
8	56458850	1	Mount Weldment
9	56459855	1	Seitengummi VR zu 2052
10	56458844	1	STRAP
11	56458936	1	PLATE
12	56009088	3	Schraube 1/4-20X1
13	56458932	1	Spritzgummi rechtszu CR 1300

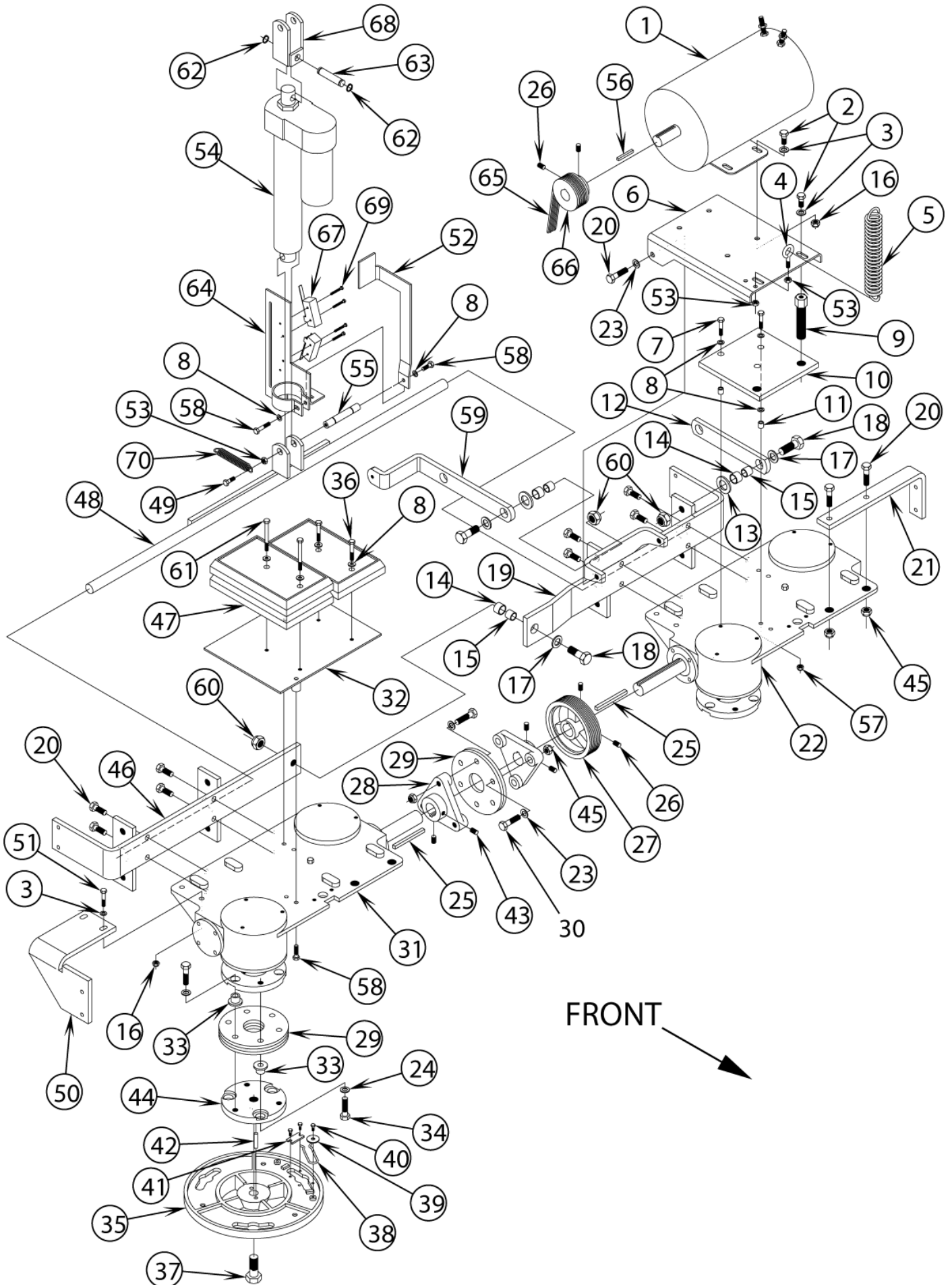
BÜRSTENANTRIEB

CR 1300 B

06-02-2015

ET-Liste-Nr. E99126

37



BÜRSTENANTRIEB

CR 1300 B

06-02-2015

ET-Liste-Nr. E99126

38

Pos	Artikelnr.	Me	Beschreibung	
0	56505760	4	Padhalter 330mm	Optional accessory
0	56505761	4	Bürste Sica hartzu CR 1300	Optional accessory
0	56505762	4	Bürste sica mittelzu CR 1300	Optional accessory
0	56505763	4	Bürste Aglite Grit	Optional accessory
0	56505764	4	Bürste PPN hart zu BR5000und CR 1300	Optional accessory
0	56505765	4	Bürste PPN weich	Optional accessory
0	56505766	4	Bürste, Union Mix	Optional accessory
0	56505767	4	Bürste Sica weich 330	Optional accessory
0	56505768	4	Bürste Midlite 330mm	Not shown
1	56409825	1	Bürstenmotor 3PS	
2	56002667	6	Schraube 5/16-18 X.75	
3	56001939	8	Flachdichtung 5/16	
4	56009254	1	BOLT EYE 1/4 20X1.12 E00178	
5	56381993	1	SPRING CL10	
6	56460079	1	MOUNT WELDMENT	
7	56001833	3	SCR HEX HD 1/4-20X1,5	
8	56001906	10	WSH FLT CUT 1/4	
9	56378631	2	STUD SCREW CR42A	
10	56453903	1	PLATE	
11	56321532	3	BUSHING .25X.37X.40HC42C	
12	56453909	7	GESTÄNGE	
13	56009022	17	Scheibe-U	
14	56367168	17	GLEITLAGER	
15	56367206	17	BUCHSE	
16	56002701	6	MUTTER 5-16-18 HEX JAM	
17	56009017	17	WSH FLT HARDEN 516x938x75	
18	56001995	17	Schraube 1/2-13 x 1.75	
19	56458866	1	BRACKET WELDMENT L	
20	56002947	12	SCR HEX HD LOC 3/8-18 X 1	
21	56458854	1	STRAP	
22	56550114	1	LEFT GEAR CASE ASSY	
23	56002063	8	"U-Scheibe 3/8""	
24	56002068	24	U-Scheibe, LOC	
25	56003249	2	Key Sq.25x3.00	
26	56009131	4	Madenschraube 5/16-18	
27	56459445	1	Riemenscheibe CR1300	
28	56462527	2	Universalgußteil	
29	56104647	14	SCHEIBE	
30	56003031	6	SCR HEX BOLT 3/8-16x2	
31	56550115	1	Right Gear Case Assy.	
32	56453916	1	BRACKET WELDMENT	
33	56448268	24	Flanschbuchse f. CR 1300	
34	56003031	24	SCR HEX BOLT 3/8-16x2	

BÜRSTENANTRIEB

CR 1300 B

06-02-2015

ET-Liste-Nr. E99126

39

Pos	Artikelnr.	Me	Beschreibung
35	56363189	4	HOLDER CASTING
36	56001833	2	SCR HEX HD 1/4-20X1,5
37	56002156	4	Schraube, HEX
38	56366463	4	Federnicht mehr bestellen
39	56009002	4	UNTERLEGSCHIEBE, FLACH
40	56002043	8	Schraube 10-24 x 38
41	56366455	4	Platte zu BR 1000
42	56362077	8	Stift
43	56002021	4	5/16-18x3/8 set screw
44	56448263	4	COUPLER CASTING LOWCV622B
45	56002769	8	Stopmutter 3/8-16
46	56458868	1	BRACKET WELDMENT R
47	56453907	3	WEIGHT CASTING
48	56453912	1	Gestänge f. CR 1300
49	56002093	1	SCR HEX HD 1/4-20 X 1.00
50	56458051	1	PLATE
51	56002221	2	SCR HEX HD 5/16-18 X 1.00
52	56452287	1	Klammer
53	56009087	3	Mutter Hexsam 1/4-20
54	56452185	1	Bürstenhebemotor
55	56453998	1	WELLE
56	56003241	1	Keil 19 x 1.31
57	56002708	1	Stopmutter 1/4-20
58	56002155	3	SCR HEX 1/4-20 X .75
59	56454169	1	BRACKET
60	56002770	17	Mutter 1/2 - 13
61	56001855	2	SCR HEX 1/4 20 X 2.50
62	56003264	6	"Benzingring 0,5""
63	56468684	2	Bolzen .500x2.312
64	56452286	1	BRACKET WELDMENT
65	56459447	1	Rillenriemen J10-260
66	56459446	1	Motorriemenscheibe
67	56452290	2	Schalter zu CR 1300
68	56454178	1	Gabel
69	56003009	4	SCREW HEX HD 6-32x1.00
70	56370355	1	SPRING EXT .50X4.75CV145A

ABSAUGERBEFESTIGUNG BAUGRUPPE

CR 1300 B

06-02-2015

ET-Liste-Nr. E99128

41

Pos	Artikelnr.	Me	Beschreibung
1	56002708	2	Stopmutter 1/4-20
2	56001879	4	U-SCHEIBEN
3	56002770	4	Mutter 1/2 - 13
4	56001892	4	Schraube 3/8-16x2.75
5	56002843	2	NUT HEX NYL LOC-THIN1/2-1 See Note 1
6	56001939	2	Flachdichtung 5/16
7	56002035	2	002721X HD 5/16-18X.62
8	56001878	1	SCR HEX HD 1/4-20 X 1.25
9	56002098	8	Scheibe
10	56002116	4	Schraube HD 1/2-13x3.25
11	56002967	4	Schraube PAN PHIL Type B
12	56002946	2	Keil
13	56002708	5	Stopmutter 1/4-20
14	56002786	2	Schraube 1/4-20 X 1.5 0
15	56002788	2	Schraube PAN PHIL 1/4-20x
16	56002773	8	MUTTER 1/2-20
17	56003262	4	Ring
18	56003264	1	"Benzingring 0,5""
19	56009017	4	WSH FLT HARDEN 516x938x75
20	56009023	4	WASHER, WAVE .375
21	56009025	4	WASHER, FLT
22	56009039	1	SCHRAUBE 1/4-20X1-1/2
23	56009054	2	Schraube 1/4 - 20x1
24	56009058	2	Schraube 1/4
25	56009086	2	NUT, HEX JAM 5/16-18
26	56002773	8	MUTTER 1/2-20
27	56206784	2	BUECHSE
28	56321532	2	BUSHING .25X.37X.40HC42C
29	56358560	1	Feder zu Adv . 5000
30	56360627	2	Büchse
31	56388520	1	Spindelmutter
31	56391627	1	MOTOR Bürsten, Saugfusszu BR 1000, BA 70
31	56470431	1	Kohlen Satz
32	56448112	2	SPRING EXTENSION
33	56454273	4	Stange
34	56454276	2	LAGERHALTERUNG
35	56454285	2	JOCH
36	56454288	2	PLATTE
37	56454323	2	STANGE TSBUS2004-860
38	56458816	1	Saugfuss kom CR1300/5000B before SN 1321039
38	56459940	1	Absaugleiste f. CR1300B after SN 1321039
39	56458818	1	LIFTER WELDMENT

Note 1: The original caster had a threaded shaft of 3/8", this caster (56407344 has a 1/2" diameter shaft. When replacing a 3/8" caster you will need to order 1/2" nuts (56002843 & 56009016). The holes in (40) Mount Weldment will have to be drilled out to a diameter of 1/2" to accommodate the new casters. Replace both casters together if replacing a caster with a 3/8" shaft.

ABSAUGERBEFESTIGUNG BAUGRUPPE

CR 1300 B

06-02-2015

ET-Liste-Nr. E99128

42

Pos	Artikelnr.	Me	Beschreibung	
40	56458836	1	SAUGFUSSHALTER/WELDMENT	
41	56407344	2	Rad für BR 850	See Note 1
42	56002770	4	Mutter 1/2 - 13	See Note 1
43	56459658	1	Sicherungsseil CR 1300	
44	56459790	1	Platte	
45	56459791	2	PIN	
46	56459792	1	PIN	
47	56459794	1	PIN	
48	56100019	1	Halter-Spindelmutter	after SN 1321039
49	56453031	1	Antriebsrad kpl. mit	TSB 791 - see Steering and Spindle Assembly
50	56459872	2	BEARING FLANGE	
51	56459888	1	Jochteil f. Cr 1300	
52	56003223	1	"Splint 0.148" x 0.62"	
53	56477813	8	Kugelgelenk	
54	56482208	1	Winkel f. Absaugleiste	
55	56487989	2	PIN .25 0 X .94 E00119	
56	56491656	2	Lagerbüchse	

Note 1: The original caster had a threaded shaft of 3/8", this caster (56407344) has a 1/2" diameter shaft. When replacing a 3/8" caster you will need to order 1/2" nuts (56002843 & 56009016). The holes in (40) Mount Weldment will have to be drilled out to a diameter of 1/2" to accommodate the new casters. Replace both casters together if replacing a caster with a 3/8" shaft.

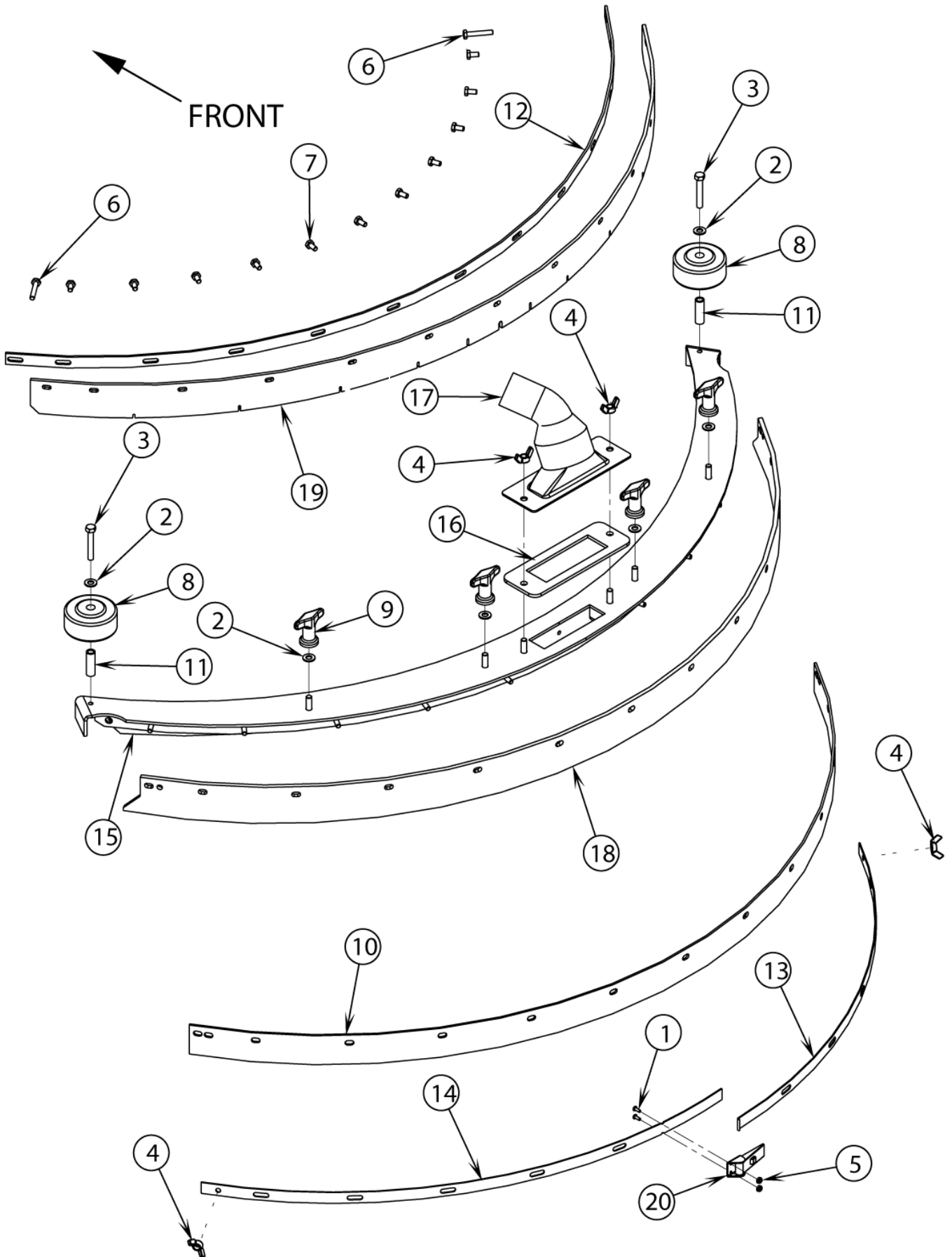
ABSAUGER BAUGRUPPE (VOR SN 1321040)

CR 1300 B

06-02-2015

ET-Liste-Nr. E99130

43



ABSAUGER BAUGRUPPE (VOR SN 1321040

CR 1300 B

06-02-2015

ET-Liste-Nr. E99130

44

Pos	Artikelnr.	Me	Beschreibung	
0	56352829	1	Bride	Not Shown
0	56454209	1	GummistreifenSiehe 56458914	optional accessory
0	56455608	1	Gummistreifen vor	optional accessory
0	56458816	1	Saugfuss kom CR1300/5000B	Not Shown
0	56458914	1	Saugfussgummisatzgespannt (neu)	18 and 19 / optional accessory
0	56459937	1	Saugschlauch	Not Shown
1	56001904	2	SCR PAN HD PHIL 6-32x	
2	56001939	6	Flachdichtung 5/16	
3	56002013	2	Schraube 5/16-18X	
4	56002370	4	Flügelmutter 5/16-18	
5	56002964	2	NUT HEX NYL LOC THINSS6-32	
6	56009028	2	SCR HEX THD FORM 1/4-2	
7	56009033	11	Schraube 1/4-20X1 2HP 5	
9	56370711	4	Mutter	
10	56454215	1	LamelleSiehe 56458914	
11	56454249	2	Büchse	
12	56458810	1	Band	
13	56458812	1	BAND	
14	56458814	1	BAND	
15	56459109	1	TOOL WELDT.	
16	56459281	1	Dichtung zu 2052G	
17	56459432	1	Saugfuss-Adapter CR 1300	
18	56459885	1	Gummilippe hinten f.	
19	56459886	1	Gummilippe vorn f.	
20	56471194	1	Klemme	

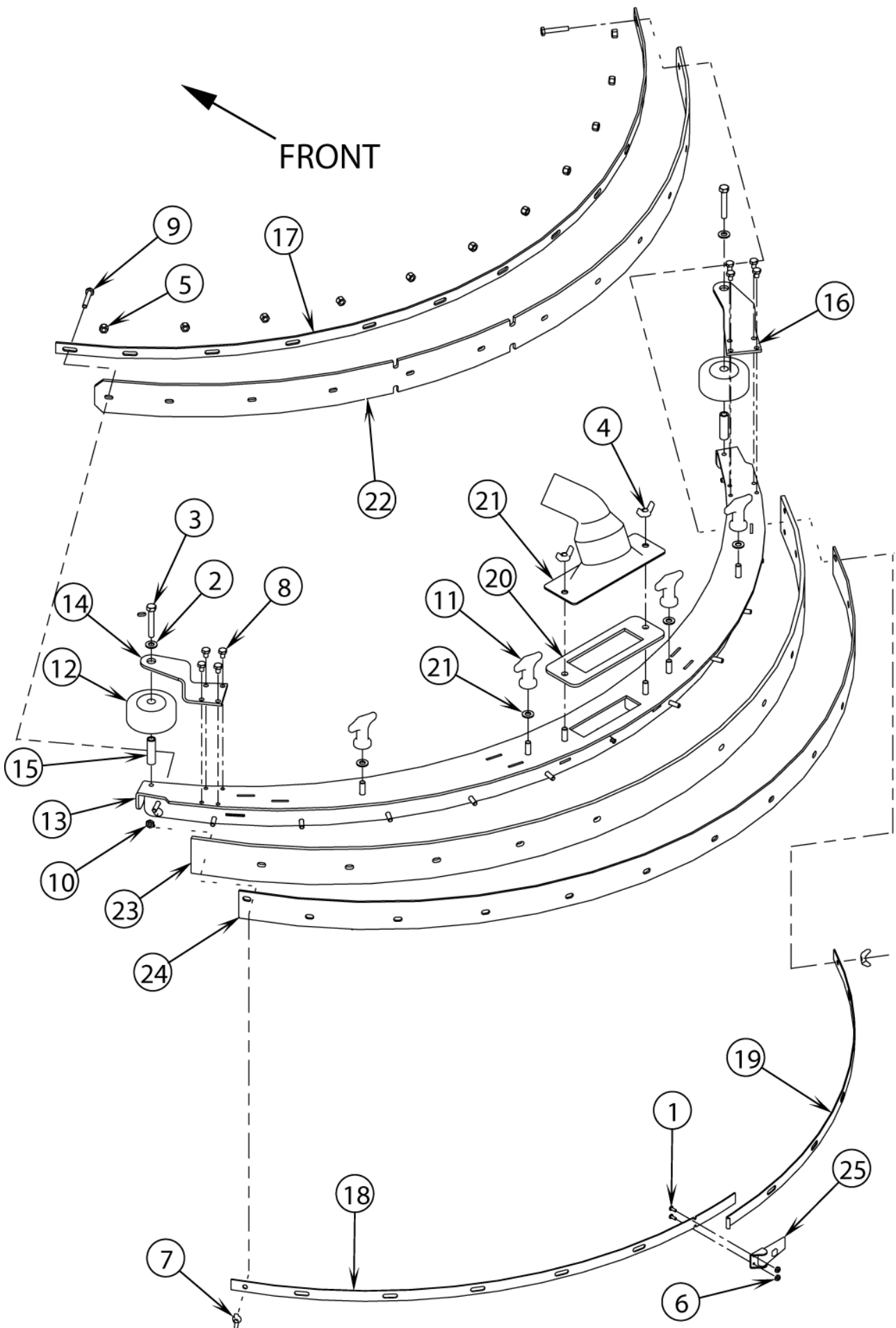
Squeegee assembly (after SN1321039)

CR 1300 B

06-02-2015

ET-Liste-Nr. E99132

45



Squeegee assembly (after SN1321039)

CR 1300 B

06-02-2015

ET-Liste-Nr. E99132

46

Pos	Artikelnr.	Me	Beschreibung	
0	56352829	1	Bride	Not shown
0	56459937	1	Saugschlauch	Not shown
0	56459940	1	Absaugleiste f. CR1300B	
0	56459944	1	Sauglippensatz Linatex zu CR 1300	Optional accessory
0	56459947	1	Sauglippenkit, Gummi	Optional accessory
1	56001904	2	SCR PAN HD PHIL 6-32x	
2	56001939	6	Flachdichtung 5/16	
3	56002013	2	Schraube 5/16-18X	
4	56002370	2	Flügelmutter 5/16-18	
5	56002708	11	Stopmutter 1/4-20	
6	56002964	2	NUT HEX NYL LOC THINSS6-32	
7	56003089	2	Flügelmutter 1/4-20	
8	56009019	8	Schraube 1/4-20x.38	
9	56009028	2	SCR HEX THD FORM 1/4-2	
10	56009087	2	Muter Hexsam 1/4-20	
11	56370711	4	Mutter	
12	56386127	2	Rad	
13	56455874	1	TOOL WELDMENT	
14	56455877	1	MOUNT LEFT SQUEEGEE WHEEL	
15	56455878	2	BUSHING	
16	56455883	1	MOUNT RIGHT SQUEEGEE WHEEL	
17	56455964	1	Spannleiste zu CR 1300	
18	56455965	1	Befestigung f. Gummileiste	
19	56455966	1	Befestigung f. Gummileiste	
20	56459281	1	Dichtung zu 2052G	
21	56459432	1	Saugfuss-Adapter CR 1300	
22	56459941	1	Sauglippen Front CR 1300	
23	56459942	1	Sauglippe H zu CR 1300	
24	56459943	1	Stützgummi zu CR 1300 nicht mehr bestelle	
25	56471194	1	Klemme	

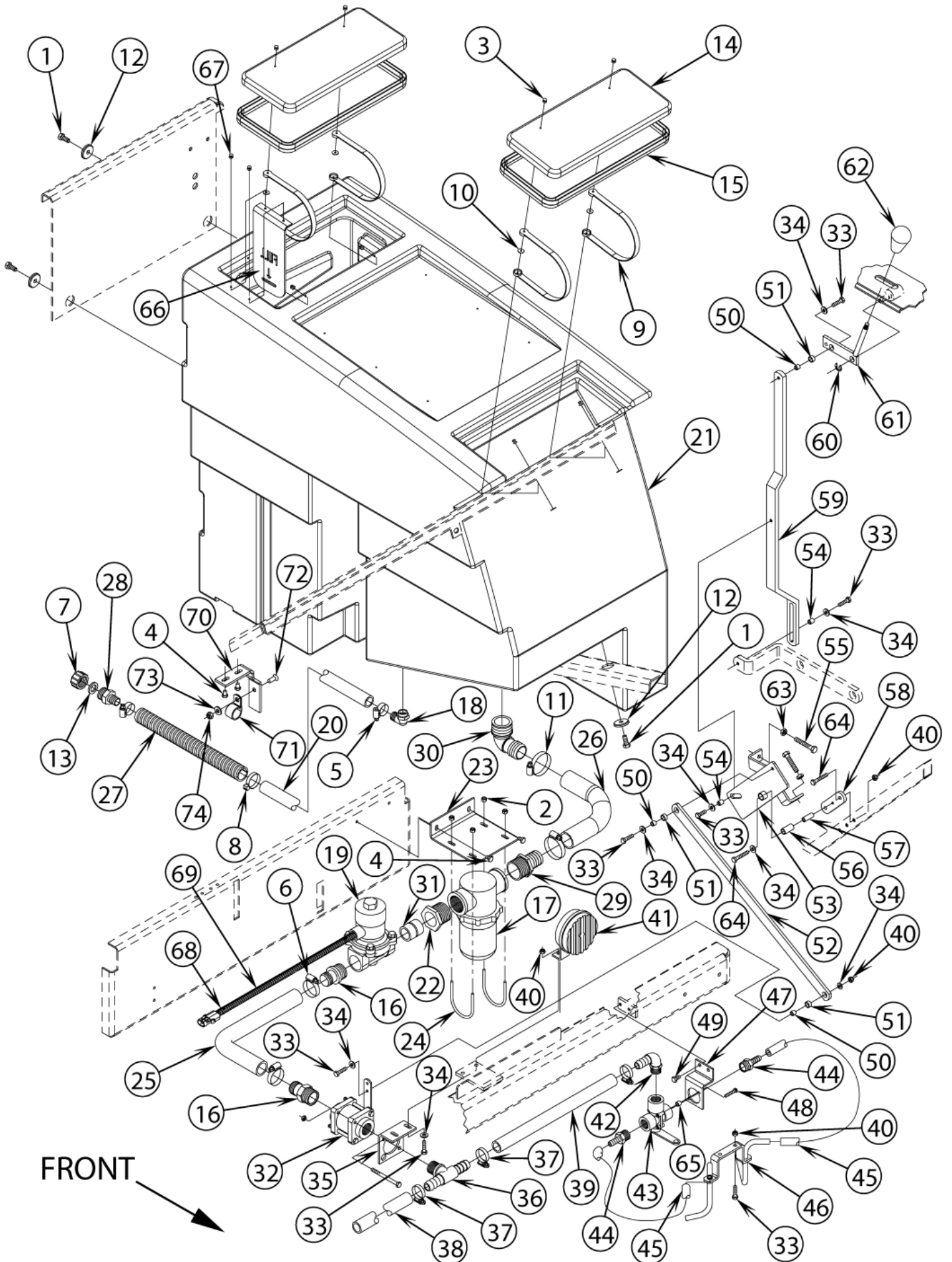
FRISCHWASSERSYSTEM (STANDARD)

CR 1300 B

06-02-2015

ET-Liste-Nr. E99134

47



FRISCHWASSERSYSTEM (STANDARD)

CR 1300 B

06-02-2015

ET-Liste-Nr. E99134

48

Pos	Artikelnr.	Me	Beschreibung
1	56002667	3	Schraube 5/16-18 X.75
2	56002832	4	6-Kt Mutter Nylon
3	56003293	8	NIETE
4	56009019	4	Schraube 1/4-20x.38
5	56112771	2	CLAMP HOSE SAE 10
6	56131601	2	CLAMP HOSE SAE 16 _E00047
7	56255076	1	Frischwasserverschluss zu BA 530
8	56262089	1	CABLE TIE E00549
9	56263379	4	Halterring BA 500
10	56009098	8	U-Scheibe FLT SS.125x.500
11	56329145	2	BRIEDE
12	56358959	3	WASHER, PLATED AR131C
13	56368776	1	Dichtung Frischwasser-verschluss zu BA 5
14	56407277	2	Deckel f. Frischwasser-
15	56407282	2	Dichtung
16	56454168	2	VERSCHRAUBUNG
17	56455838	1	Nylon Sieb
17	56456241	1	Filtergehäuse
18	56456802	1	Winkelracor
19	56459625	1	Elektromagnetventil
20	56459674	1	HOSE SPIRAL E00605
21	56459682	1	TANK SOLUTION
22	56459825	1	Reduzierung
23	56459827	1	BRACKET
24	56459830	2	U-BOLT
25	56459858	1	Schlauch
26	56481287	1	SCHLAUCH
27	56459890	1	CONDUIT
28	56900273	1	Schlauchnippel BA 800
29	56900910	1	Reduzierung
30	56900913	1	Winkelanschluß 1 1/4
31	56900914	1	Nippel
32	56454280	1	HANDLE WELDMENT
32	56456617	1	Ventil
33	56002093	11	SCR HEX HD 1/4-20 X 1.00
34	56002098	9	Scheibe
35	56454357	1	BRACKET
36	56454609	1	WINKELSTUECK 3/4'
37	56112771	4	CLAMP HOSE SAE 10
38	56481452	1	Plastikrohr
39	56449850	1	Schlauch PVC f. BR 850
40	56002708	9	Stopmutter 1/4-20
41	56482365	1	HORN 36V

FRISCHWASSERSYSTEM (STANDARD)

CR 1300 B

06-02-2015

ET-Liste-Nr. E99134

49

Pos	Artikelnr.	Me	Beschreibung
42	56244985	2	DRAHT
43	56454612	2	Ventil
43	56454614	2	Wasserhahn komplettzu 5015
44	56749202	4	REDUKTION
45	56456830	4	"Schlauch 3/8" x 10.00zu Advance 5000"
46	56453924	2	SCHWEISSROHR
47	56453936	2	Bracket (f.Solution Tank
48	56002728	4	SCR PANPHILTHDFRM 10-24 X 1.25
49	56003039	4	Schraube 1/4-20
50	56368989	3	BUSHING .25x.37x.30
51	56368970	3	LAGER BRONZE
52	56454159	1	BAR
53	56454161	1	PLATE WELDMENT
54	56321532	2	BUSHING .25X.37X.40HC42C
55	56002013	2	Schraube 5/16-18X
56	56200972	1	LAGER
57	56471220	1	Distanzscheibe
58	56454164	1	BAR
59	56454158	1	BAR
60	56003262	1	Ring
61	56454157	1	LEVER WELDMENT
62	56364527	1	Knauf 1.62x5/16-18 CA3
63	56009086	2	NUT, HEX JAM 5/16-18
64	56001833	3	SCR HEX HD 1/4-20X1,5
65	56200123	4	BUSHING .20X.37X.28HP2E
66	56459868	1	INDICATOR LEVEL
67	56003293	2	NIETE
68	56325219	2	CABLE TIE E00549 HC360C
69	56459883	1	CONDUIT
70	56459905	1	SUPPORT DRAIN HOSE
71	56409463	1	Clamp, 1.25 Hose support
72	56002395	1	Schraube, FLT-PHIL 5/16
73	56001939	1	Flachdichtung 5/16
74	56002701	1	MUTTER 5-16-18 HEX JAM

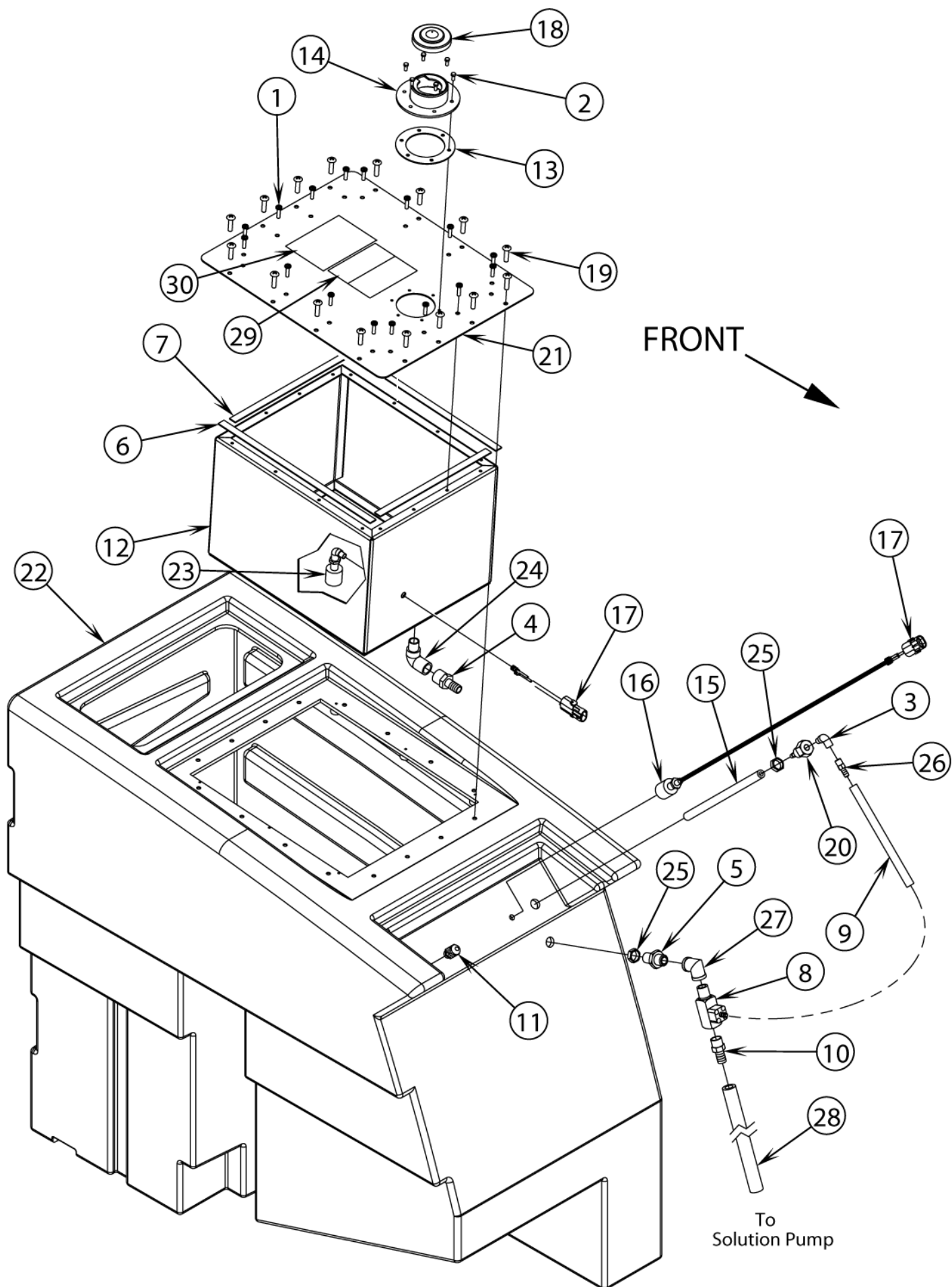
FRISCHWASSERSYSTEM (HYDRO-MAX II)

CR 1300 B

06-02-2015

ET-Liste-Nr. E99136

50



FRISCHWASSERSYSTEM (HYDRO-MAX II)

CR 1300 B

06-02-2015

ET-Liste-Nr. E99136

51

Pos	Artikelnr.	Me	Beschreibung
1	56009043	16	SCR PAN PHIL THD FORM10-24X.75
2	56009075	6	SCR HEX THD FORM 8-32X.38
3	56111309	1	Winkel 1/8 x 90
4	56118117	1	BARB 1/2X1/2 BRASS E00072
6	56330682	2	Dichtung1/16x1/2x120 HC525F
7	56330682	2	Dichtung1/16x1/2x120 HC525F
8	56260170	1	INJECTOR CHEMICAL
9	56260841	1	ROHR
10	56443972	1	BARB 1/2X3/8 BRASS E00039
11	56456027	1	STRAIN RELIEF E00220
13	56456104	1	GASKET
15	56456560	1	HOSE E00160
16	56459260	1	SWITCH ASSY.
17	56462360	2	CONN WR PK MALE 2 W
18	56478502	1	CAP FUEL TANK RE442WC
19	56009006	16	Schraube
20	56456107	1	BARB BULKHEAD
21	56459910	1	Frischwasserfüllabdeckung
22	56459955	1	TANK SOLUTION
23	56460015	1	SWITCH ASSY.
24	56742125	1	STREET ELL 1/2 X 901033-A
25	56745860	2	Nut JAM.625-18BR AC5
26	56755162	1	BARB .25 C .0240
27	56757310	1	ELBOW 3/8X90 BRASS 4597
28	56900298	1	HOSE POLYWIRE 1/2
29	56025596	1	DECAL
30	56025590	1	DECAL DETERGENT

NOTE: Except for the items listed on this page, all other solution system components are the same as the Standard Solution System.

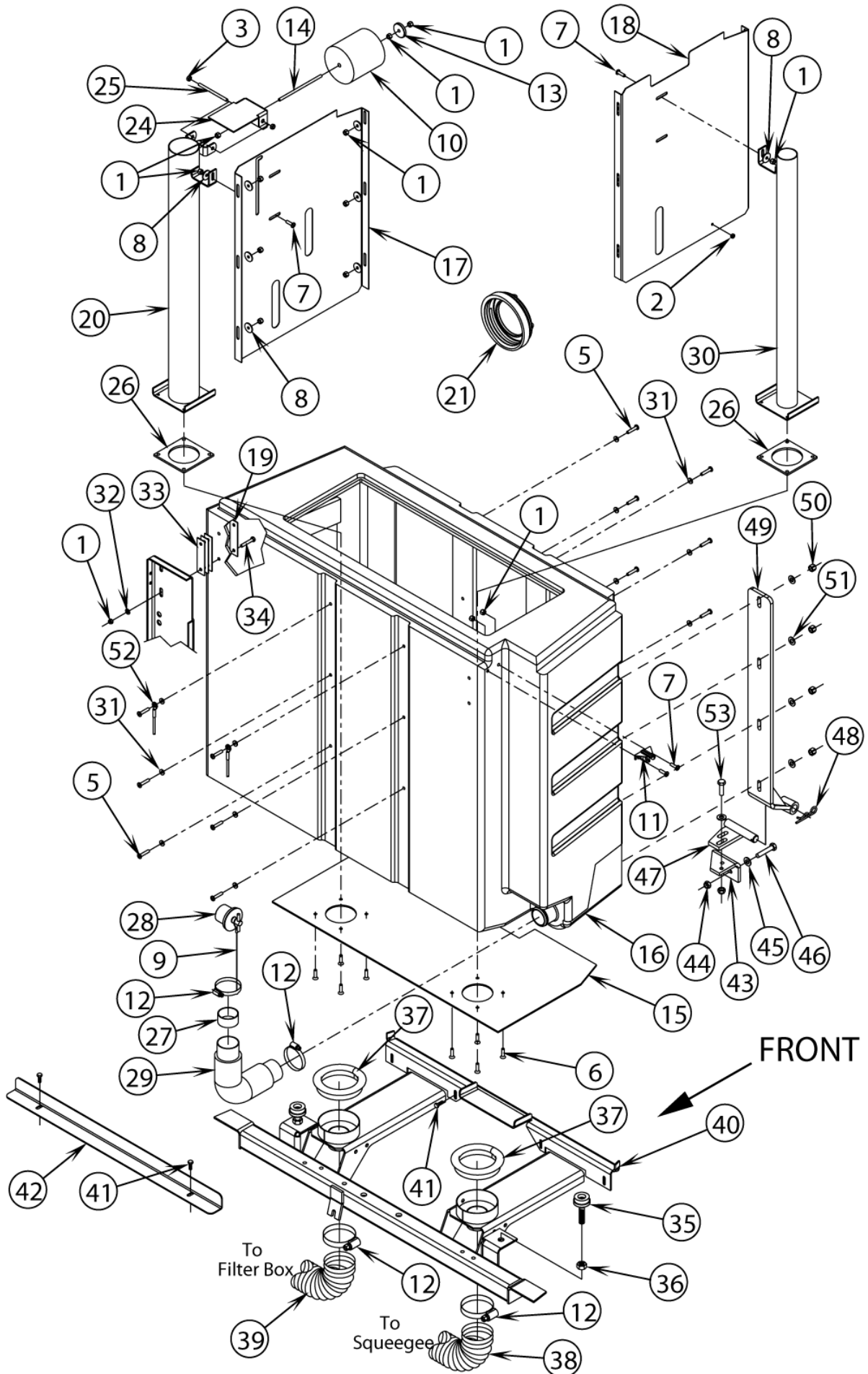
SCHMUTZWASSERTANK (STANDARD)

CR 1300 B

06-02-2015

ET-Liste-Nr. E99138

52



SCHMUTZWASSERTANK (STANDARD)

CR 1300 B

06-02-2015

ET-Liste-Nr. E99138

53

Pos	Artikelnr.	Me	Beschreibung	
0	56455435	1	Dichtung	Not shown
0	56455825	1	Ring, außen	Not shown
0	56455826	1	Ring, innen	Not shown
0	56459954	1	RECOVERY TANK ASSY	before Sept. 2000
0	56488867	1	O-Ring	Not shown
1	56002491	23	Stopmutter 1/4-20	Qty of 19 after Aug. 2000
2	56002849	1	NUT HEX NYL LOC-THIN SS10	
3	56002491	2	Stopmutter 1/4-20	
5	56002958	12	Schraube	
6	56003074	8	Schraube FLT PHIL SS	
7	56003087	4	Schraube PAN PHIL SS	
8	56009060	14	WSH FLT SS .260X1.000X.074	
9	56261378	1	Drahtseil	
10	56385349	1	SCHWIMMER	
11	56386058	1	HAKEN	
12	56440213	4	Schlauchbride	
13	56454721	1	GEWICHT	
14	56454724	1	STANGE LANG	
15	56455378	1	PLATE REC. TANK	
16	56456012	1	RECOVERY TANK ROUTED	after Aug. 2000
16	56459948	1	TANK ROUTED RECOVERY	before Sept. 2000
17	56455386	1	BAFFLE RIGHT	
18	56455387	1	Trennblech, links CR1300	
20	56459871	1	RIGHT STANDPIPE WELDT	
21	56455671	1	Kappe f. Tank CR 1300	
24	56459130	1	Schwimmerklappe Adv. 5000	
25	56459131	1	ROD	
26	56459136	2	Dichtung	
27	56459250	1	Rohr	
28	56459253	1	Zapfen	
29	56459254	1	Schlauch	
30	56459816	1	LEFT STANDPIPE WELDT	
31	56900737	12	UNTERLAGSSCHEIBE	
32	56002859	4	Mutter SS 1/4	before Sept. 2000
33	56455639	8	SHIM	Qty of approximate, use as required - before Sept.
34	56002901	4	SCHRAUBE 1/4-20X 1-1/2SS	before Sept. 2000
35	56449221	2	DAEMPFER	
36	56002770	2	Mutter 1/2 - 13	
37	56455984	2	Dichtung	
38	56459937	1	Saugschlauch	
39	56459939	1	Saugschlauch 2x32, grau	
40	56459849	1	DRAIN PLATE WELDMENT	before Sept. 2000
41	56009033	4	Schraube 1/4-20X1 2HP 5	before Sept. 2000

SCHMUTZWASSERTANK (STANDARD)

CR 1300 B

06-02-2015

ET-Liste-Nr.

E99138

54

Pos	Artikelnr.	Me	Beschreibung	
42	56459932	1	Anschlagleiste f. Tank	before Sep. 2000
43	56460066	1	MOUNT HINGE LEFT	after Aug. 2000
43	56460067	1	MOUNT HINGE RIGHT	after Aug. 2000
44	56002769	8	Stopmutter 3/8-16	after Aug. 2000
45	56002063	8	"U-Scheibe 3/8""	after Aug. 2000
46	56002091	4	Schraube HEX HD 3/8-16x2.	after Aug. 2000
47	56460068	1	LEFT BOTTOM HINGE WLMT	after Aug. 2000
47	56460069	1	RIGHT BOTTOM HINGE WLMT	after Aug. 2000
48	56003223	2	"Splint 0.148" x 0.62""	after Aug. 2000
49	56455915	2	GASKET	after Aug. 2000
49	56455924	1	LEFT TOP HINGE WELDMENT	after Aug. 2000
49	56455927	2	STUD PLATE WELDMENT	after Aug. 2000
49	56455976	1	RIGHT TOP HINGE WELDMNET	after Aug. 2000
50	56003219	8	Mutter Zoll LOC SS 3/8 16	after Aug. 2000
51	56002910	8	"Scheibe 3/8""	after Aug. 2000
52	56409537	2	Seil zu BR 1000	after Aug. 2000
53	56002095	4	Schraube 3/8-16 X 1.50	after Aug. 2000
53	56016374	1	DECAL DRAIN TANK	Not shown
53	56016375	1	DECAL WARNING CAP RELEASE	Not shown

SCHMUTZWASSERTANK (HYDRO-MAX II)

CR 1300 B

06-02-2015

ET-Liste-Nr. E99140

56

Pos	Artikelnr.	Me	Beschreibung
1	56002062	2	Hutmutter 1/4-20
2	56003119	8	SCR PAN PHIL SS 1/4 20 X .50.
3	56002378	8	NUT HEX BRASS 1/4-20
4	56002708	2	Stopmutter 1/4-20
5	56003268	2	Ring
6	56118117	1	BARB 1/2X1/2 BRASS E00072
7	56385349	1	SCHWIMMER
8	56112771	4	CLAMP HOSE SAE 10
9	56448104	4	SCHRAUBE
10	56448108	4	U-SCHEIBE
11	56454721	3	GEWICHT
12	56454724	1	STANGE LANG
13	56455389	1	SCREEN PANEL
15	56459130	1	Schwimmerklappe Adv. 5000
16	56459131	1	ROD
18	56459302	2	COVER
19	56459303	2	GASKET,DOOR
20	56459312	2	PLATE
21	56459321	1	STRAINER
22	56462072	1	CONNECTOR-MALE 3-WA
23	56468960	4	KLEMMUTTER
24	56460009	1	TUBE ASSY
24	56460013	1	TUBE WELDMENT
24	56490112	8	DICHTUNG 20.32 cm
25	56742125	1	STREET ELL 1/2 X 901033-A
26	56755258	1	NIPPLE 1/2 X 3.00BR E00057
27	56900298	36	HOSE POLYWIRE 1/2 91.44 cm
29	56386058	2	HAKEN
30	56003087	4	Schraube PAN PHIL SS
31	56455378	1	PLATE REC. TANK
32	56003074	8	Schraube FLT PHIL SS
33	56459112	2	Dichtung à 300 mm
34	56459915	1	PLATE TANK ADJUSTMENT
35	56449221	2	DAEMPFER
36	56002770	2	Mutter 1/2 - 13
37	56440213	4	Schlauchbride
38	56459937	1	Saugschlauch
39	56009033	8	Schraube 1/4-20X1 2HP 5
40	56459939	1	Saugschlauch 2x32, grau
41	56459932	1	Anschlagleiste f. Tank
42	56459254	2	Schlauch
43	56459250	2	Rohr
44	56261378	2	Drahtseil

SCHMUTZWASSERTANK (HYDRO-MAX II)

CR 1300 B

06-02-2015

ET-Liste-Nr. E99140

57

Pos	Artikelnr.	Me	Beschreibung
45	56459253	2	Zapfen
46	56002832	4	6-Kt Mutter Nylon
47	56456112	1	MOUNT PUMP
48	56900298	8	HOSE POLYWIRE 1/2
49	56261246	2	Schlauchwinkel
51	56459262	1	Pumpe, Kit
52	56009176	4	SCR HEX THDFORM 10-24 X 1.00
53	56001954	4	WSH FLT SAE 10
54	56002840	6	Nut 1/4 20
55	56002098	4	Scheibe
56	56009122	1	Unterlegscheibe
57	56455741	2	CORNER BRACKET
58	56002836	4	NUT HEX NY LOC SS 10-24
59	56002900	4	Schraube PAN PHIL 10-25x.
60	56003268	2	Ring
61	56219894	3	WIRE RS STRD 18 BLKFC10E00048
62	56387558	1	INSULATOR TUBE .31
63	56388167	2	SWITCH, MERCURY
64	56409695	3	SPLICE PARALLEL
65	56455846	3	TUBING
66	56456023	1	FLOAT, FOAM
67	56456027	1	STRAIN RELIEF E00220
68	56459264	3	TERM.W.P.MALE
69	56459320	1	ROD WELDMT.
70	56462074	3	SEAL-GREEN
71	56478246	1	CABLE TIE E00549 RE438BA
72	56900680	2	CONDUIT BLK .35 E00466
73	56352829	1	Bride

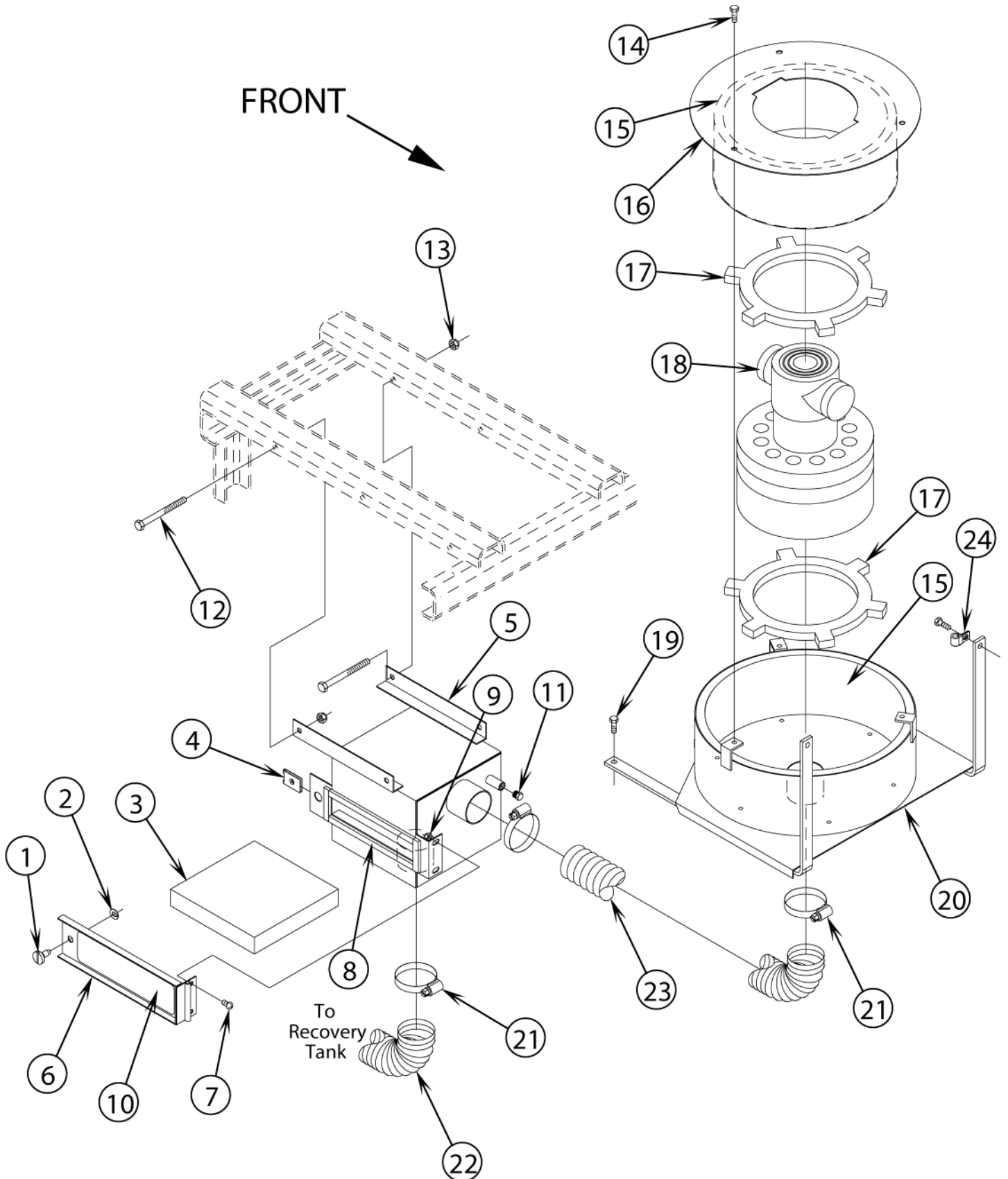
VAKUUMSYSTEM

CR 1300 B

06-02-2015

ET-Liste-Nr. E99142

58



VAKUUMSYSTEM

CR 1300 B

06-02-2015

ET-Liste-Nr.

E99142

59

Pos	Artikelnr.	Me	Beschreibung	
0	56454360	1	Filterbox zu CR 1300	Pos. 1-9
1	56448104	1	SCHRAUBE	
2	56448108	1	U-SCHEIBE	
3	56454259	1	Filter	
4	56468960	1	KLEMMUTTER	
5	56454350	1	Gehäuse zu CR 1300	
6	56454370	1	Deckel zu CR 1300	
7	56002043	2	Schraube 10-24 x 38	
8	56459891	1	Dichtung	
9	56002832	2	6-Kt Mutter Nylon	
10	56014879	1	DECAL FILTER	
11	56481546	1	Nippel 1/8 NPT	
12	56002203	4	6-kt Schraube HD5/16-18x2	
13	56002701	4	MUTTER 5-16-18 HEX JAM	
13	56452189	1	MOTOR HSG. ASSY.	Pos. 14-18 and 20
14	56002948	3	Schraube 1/4-20 X .75	
15	56454333	2	Dichtung 1/2x4' x38'	
16	56454330	1	DEFLEKTOR	
17	56200379	2	Motordichtung	
18	56454208	1	"Kohle CR 1300; 2 x 2 Stk"	
18	56454335	1	Saugmotor 36V zu 5000B	
19	56009033	4	Schraube 1/4-20X1 2HP 5	
20	56454340	1	Saugmotorhalterung 5000B	
21	56440213	3	Schlauchbride	
22	56459939	1	Saugschlauch 2x32, grau	
23	56459938	1	Saugschlauch 2x26,5	
24	56323260	1	Kabelbride zu BR 1000	

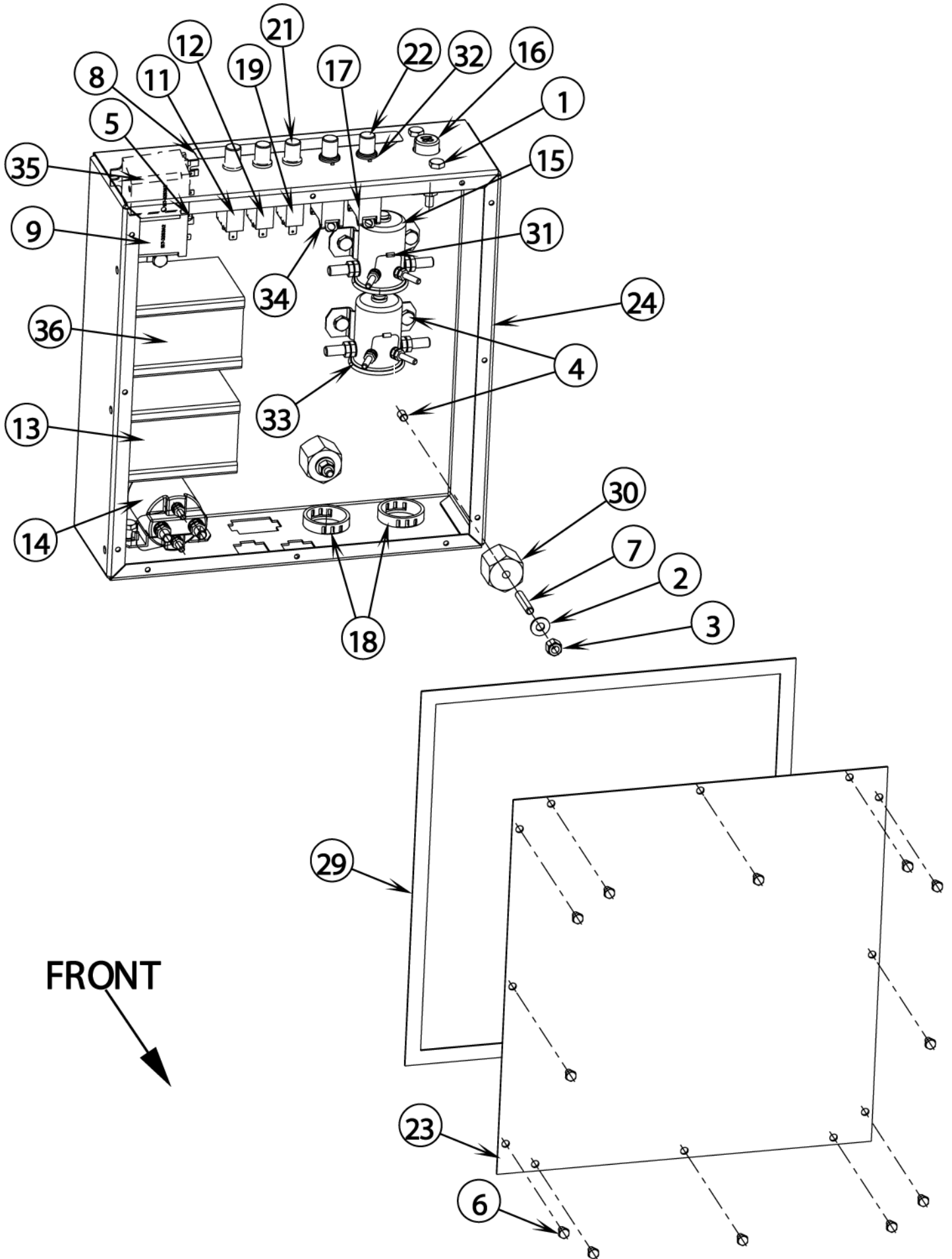
LINKES BEDIENFELD

CR 1300 B

06-02-2015

ET-Liste-Nr. E99144

60



LINKES BEDIENFELD

CR 1300 B

06-02-2015

ET-Liste-Nr. E99144

61

Pos	Artikelnr.	Me	Beschreibung	
0	56459329	1	LEFT PANEL HARNESS	Not Shown
0	56459840	1	LEFT PANEL ASSY	
1	56001821	2	SCR HEX HD 1/4-20 X .88	
2	56002098	4	Scheibe	
3	56002708	4	Stopmutter 1/4-20	
4	56002933	1	LOC SCREW 1/4-20 X 3/8	
5	56009032	4	SCR HEX THD FORM 6 32X.38	
6	56009063	1	SCR HEX THD FORM 10-24X .25	
7	56009203	2	STUD, 1/4-20X1.31	
9	56261219	1	RELAIS 36Vsiehe 56460099	Low Voltage Cut-Out / K9 - TSBUS2003-843,TSBUS2004
10	56261238	1	WIRE RECTIFIER ASSY	Not Shown
11	56387316	1	Schütz 10A	Aux 2 / F7
12	56387328	1	Unterbrecher	Drive Control Circuit / F5
13	56392175	1	Control Assy 36 V Dual	Side Skirt Actuator Control / E4 and E5
14	56395450	1	Relais BR 1000	Brush Motor / K5
15	56395452	1	Relais 36 V	Broom Motor / K6
16	56409230	1	Sicherungsautomat 80Amp.	Brush Motor / F1
17	56452193	1	Schütz	Vac Motor / F2
18	56452274	2	BUSHING SNAP	
19	56454538	1	Sicherungsautomat 15A	Aux 1 / F2
20	56459329	1	LEFT PANEL HARNESS	TSBUS2003-853
21	56459367	3	Abdeckung Rückstellknopf 5015	
22	56459368	2	Abdeckung Rückstellknopf 5015	
23	56459784	1	COVER ELECTRICAL TRAY	
24	56459839	1	TRAY ELECTRICAL	
25	56459843	1	CABLE R1106/RING E00192	Not Shown
26	56459844	1	CABLE R1106/RING E00192	Not Shown
27	56459845	1	CABLE R1106/RING E00192	Not Shown
28	56459846	1	CABLE RING/R1106 E00192	Not Shown
30	56469858	2	INSULATED STANDOFF	
31	56459819	3	RECTIFIER ASSY.	TSBUS2003-843
32	56744660	2	WASHER SEALING .3757149	
33	56395452	1	Relais 36 V	Vac Motor / K7
34	56452193	1	Schütz	Broom Motor / F3
35	56261219	1	RELAIS 36Vsiehe 56460099	Recycle Pump, Hydro-Max II / K4
36	56392175	1	Control Assy 36 V Dual	Brush and Squeegee Lift Actuator Control / E1 and

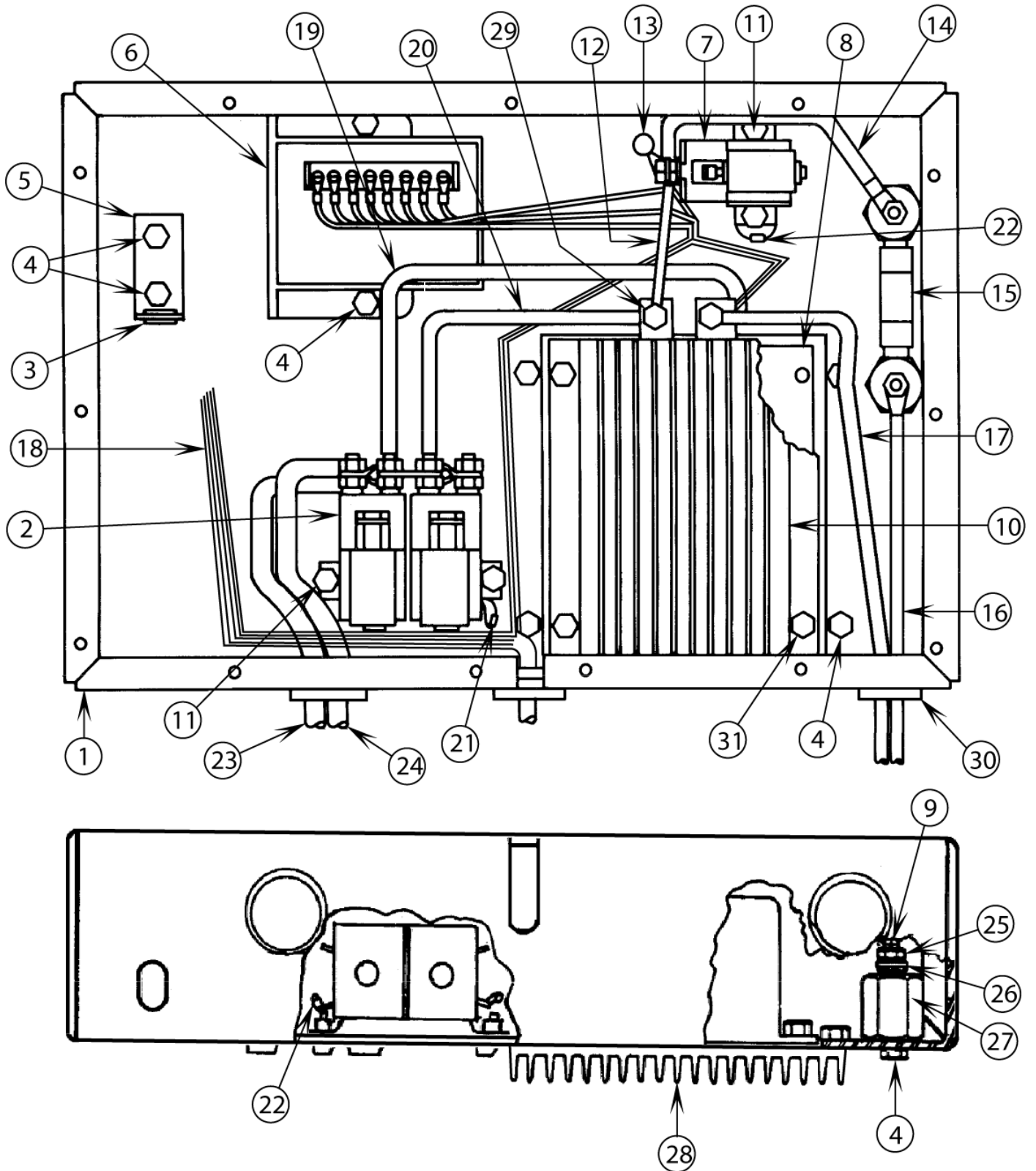
RECHTES BEDIENFELD

CR 1300 B

06-02-2015

ET-Liste-Nr. E99146

62



RECHTES BEDIENFELD

CR 1300 B

06-02-2015

ET-Liste-Nr. E99146

63

Pos	Artikelnr.	Me	Beschreibung	
0	56002826	3	NUT HEX NYLOC THIN 5/16-1	Not Shown
0	56330682	61	Dichtung1/16x1/2x120 HC525F	Not Shown
0	56452279	1	RIGHT PANEL ASSY	Pos. 1-26
0	56459951	1	COVER ELEC. ENCLOSURE	Not Shown
1	56452276	1	TRAY CONTROLLER	
2	56454705	1	SCHALTER	Forward/Reverse / K2 and K3
3	56329098	1	BUSHING NYLON .375 HC238F	
4	56009019	10	Schraube 1/4-20x.38	
5	56452154	1	ANGLE	
6	56454831	1	INTERLOCK ASSY	E3
7	56454806	1	Hauptschütz 36V	Main / K1 - TSB 728
8	56452176	1	THERMAL PAD	
9	56009020	2	Stiftschraube 1/4-20x.88	
10	56454803	1	Fahrsteuerung	
11	56009039	4	SCHRAUBE 1/4-20X1-1/2	
12	56452205	1	CABLE ASSY. E0192	
13	56454696	1	RESISTOR ASSEMBLY	R1 - TSB 728
14	56452206	1	Verbindungskabel	
15	56479108	1	Sicherung	Wheel Drive Motor / F6
16	56452268	1	CABLE ASSY	
17	56452267	1	CABLE ASSY	
18	56452263	1	RIGHT PANEL HARNESS	
19	56452208	1	CABLE ASSY. E00192	
20	56452207	1	CABLE ASSY. E00192	
21	56454813	2	DIODE ASSEMBLY	
22	56454812	3	Diode (Satz)	
23	56452203	1	CABLE ASSY. E00192	
24	56452202	1	CABLE ASSY. E00192	
25	56002840	4	Nut 1/4 20	
26	56009064	2	Unterlegscheibe	
27	56469858	2	INSULATED STANDOFF	
28	56452152	1	HEAT SINK	
29	56002035	3	002721X HD 5/16-18X.62	
30	56452274	2	BUSHING SNAP	
31	56009033	4	Schraube 1/4-20X1 2HP 5	

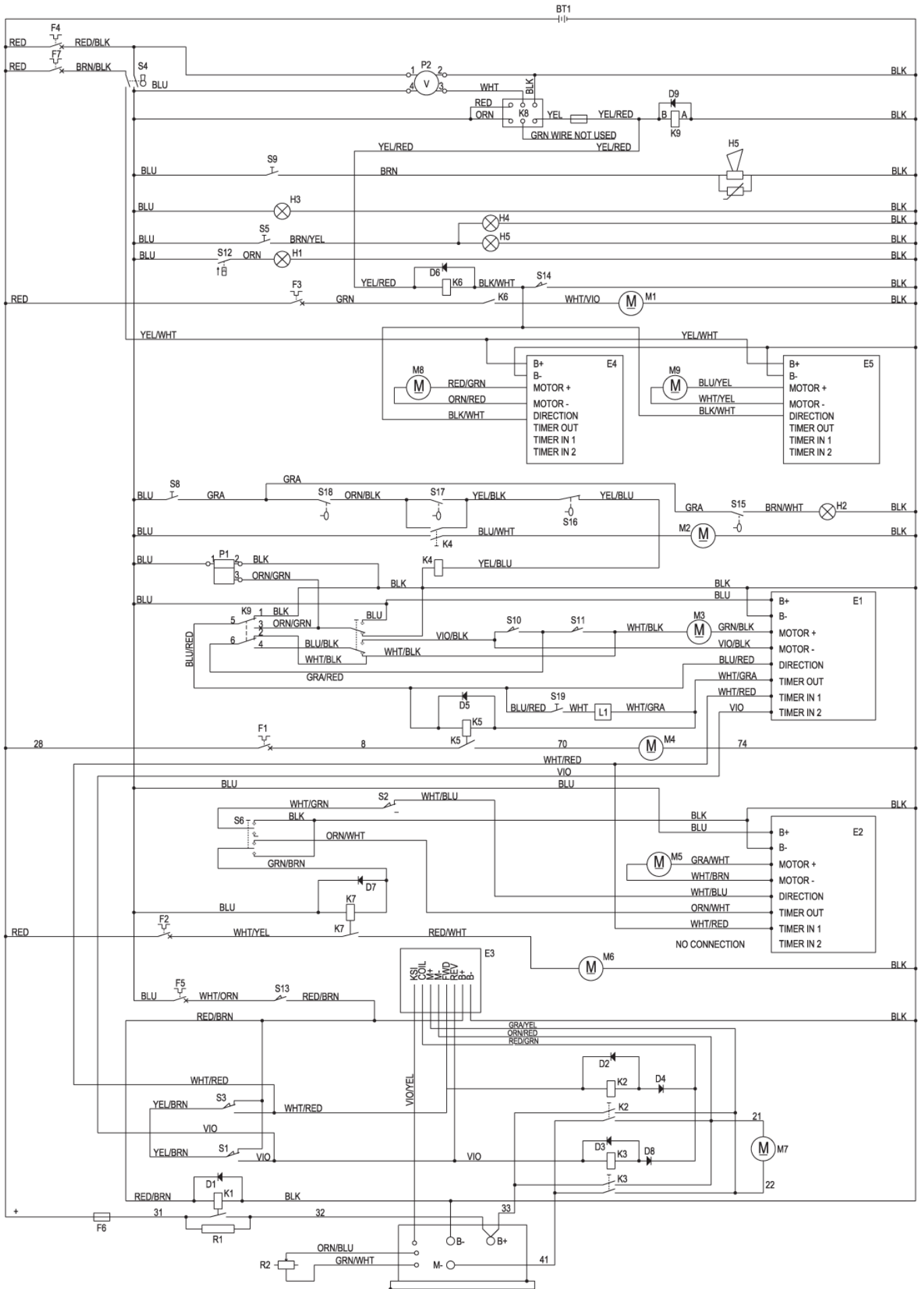
SCHALTPLAN (2052 VOR SN1297858)

CR 1300 B

06-02-2015

ET-Liste-Nr. E99148

64



SCHALTPLAN (2052 VOR SN1297858)

CR 1300 B

06-02-2015

ET-Liste-Nr. E99148

65

Pos	Artikelnr.	Me	Beschreibung	
0	56388520	1	Spindelmutter	Not Shown
0	56416436	1	Blitzlampe	For 56413433 - Not Shown
0	56454485	1	"Kohle Kit CR 1300; Satz"	set of 8 - Not Shown
0	56459841	1	Kabel m. Stecker	Not Shown
0	56468382	1	"Kohle BR 1100; 2 StkCR 1300"	Not Shown
0	56470431	1	Kohlen Satz	Not Shown
A1	56454803	1	Fahrsteuerung	
D1	56454812	1	Diode (Satz)	
D2	56454812	1	Diode (Satz)	
D3	56454812	1	Diode (Satz)	
D4	56454813	1	DIODE ASSEMBLY	
D5	56459819	1	RECTIFIER ASSY.	TSBUS2003-843
D6	56459819	1	RECTIFIER ASSY.	
D7	56459819	1	RECTIFIER ASSY.	
D8	56454813	1	DIODE ASSEMBLY	
E1	56392175	1	Control Assy 36 V Dual	
E2	56392175	1	Control Assy 36 V Dual	
E3	56454831	1	INTERLOCK ASSY	
E4	56392175	1	Control Assy 36 V Dual	
E5	56392175	1	Control Assy 36 V Dual	
F1	56409230	1	Sicherungsautomat 80Amp.	
F2	56452193	1	Schütz	
F3	56452193	1	Schütz	
F4	56454538	1	Sicherungsautomat 15A	
F5	56387328	1	Unterbrecher	
F6	56479108	1	Sicherung	
F7	56387316	1	Schütz 10A	
H3	56416433	1	Blitzlampe zu BR 700	
H4	56416168	1	Scheinwerfer für SR 1600	
H4	56482642	1	BULB	For 56413168
H5	56416168	1	Scheinwerfer für SR 1600	
H5	56482642	1	BULB	For 56416168
H6	56482365	1	HORN 36V	
K1	56454806	1	Hauptschütz 36V	
K2	56454705	1	SCHALTER	
K3	56454705	1	SCHALTER	
K5	56395450	1	Relais BR 1000	TSBUS2003-843
K6	56395452	1	Relais 36 V	
K7	56395452	1	Relais 36 V	
K8	56416396	1	RELAY MODULE	
K9	56460098	1	RELAY DPDT	TSBUS2003-843, TSBUS2004-853
L1	56459625	1	Elektromagnetventil	

NOTE:

WARNING! Battery weight in excess of 1,475 pounds (669 Kg.) may cause the premature failure of parts including the tires, and may result in decreased stability and control, which could cause personal injury or death and/or property damage. Use of a battery in excess of the weight limit will void the warranty.

SCHALTPLAN (2052 VOR SN1297858)

CR 1300 B

06-02-2015

ET-Liste-Nr. E99148

66

Pos	Artikelnr.	Me	Beschreibung
M1	56454457	1	Motor 36 V, 1 HP
M3	56452185	1	Bürstenhebemotor
M4	56409825	1	Bürstenmotor 3PS
M5	56391627	1	MOTOR Bürsten, Saugfusszu BR 1000, BA 70
M6	56454335	1	Saugmotor 36V zu 5000B
M7	56454484	1	MOTOR 36 V DC, 4HP
M8	56391627	1	MOTOR Bürsten, Saugfusszu BR 1000, BA 70
M9	56391627	1	MOTOR Bürsten, Saugfusszu BR 1000, BA 70
P1	56393718	1	STUNDENZAEHLER
P2	56416395	1	FUEL GAUGE BATTERY
R1	56454807	1	Widerstand (Satz)
R2	56452142	1	POTENTIOMETER
S1	56452144	1	SCHALTER
S2	56452144	1	SCHALTER
S3	56452144	1	SCHALTER
S4	56301636	1	Schalter
S5	56376348	1	SCHALTER
S6	56261245	1	Schalter HR 5015
S7	56377003	1	SWITCH, ROCKER DPDT
S9	56441555	1	Schalter Hape SR 1800 D
S10	56452290	1	Schalter zu CR 1300
S11	56452290	1	Schalter zu CR 1300
S14	56388019	1	SCHALTER
S19	56376348	1	SCHALTER

NOTE:

WARNING! Battery weight in excess of 1,475 pounds (669 Kg.) may cause the premature failure of parts including the tires, and may result in decreased stability and control, which could cause personal injury or death and/or property damage. Use of a battery in excess of the weight limit will void the warranty.

Electrical diagram (2052 after SN1297857 / all C

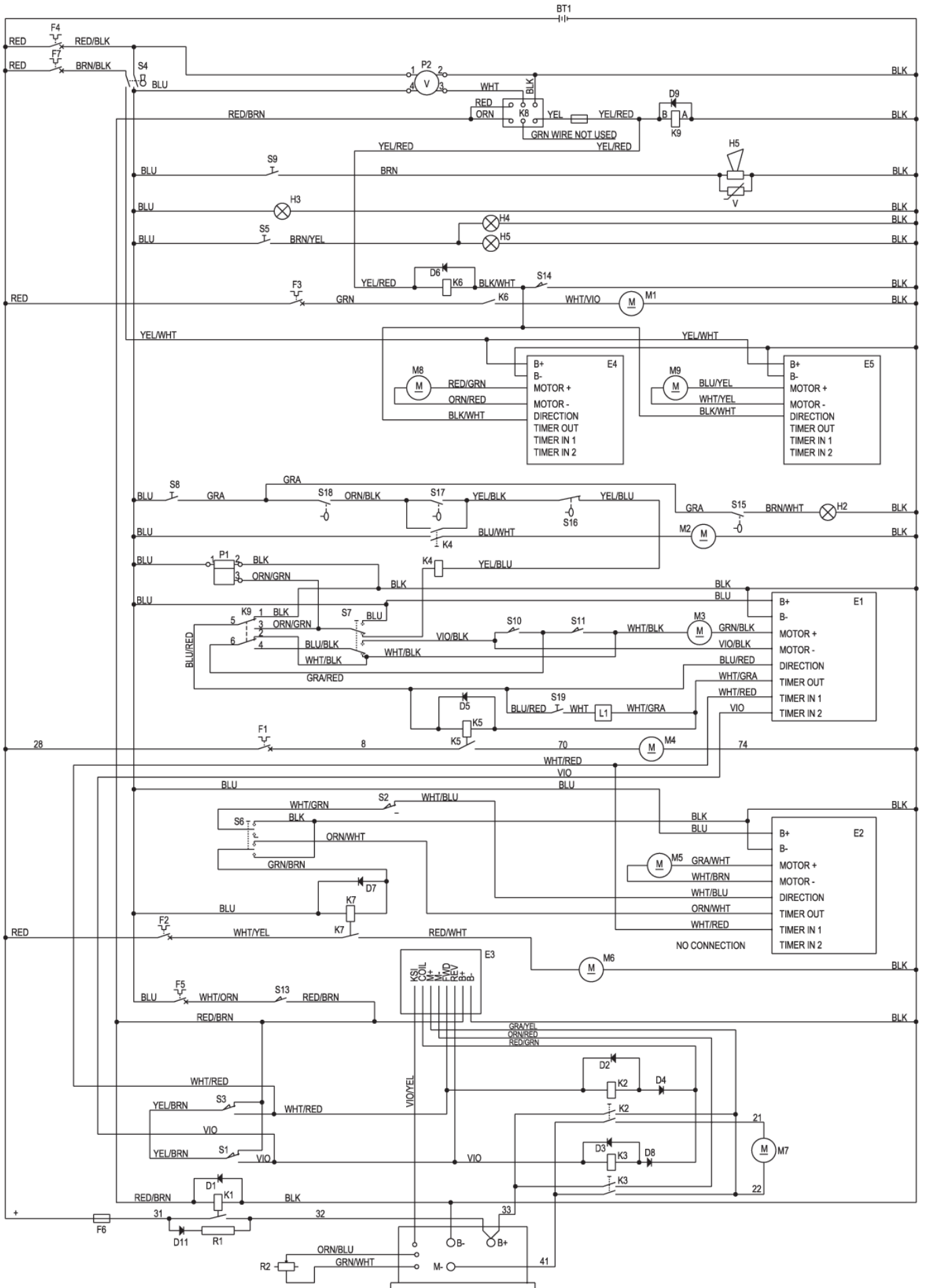
CR 1300 B

06-02-2015

ET-Liste-Nr.

E99150

67



Electrical diagram (2052 after SN1297857 / all C CR 1300 B

06-02-2015

ET-Liste-Nr. E99150

68

Pos	Artikelnr.	Me	Beschreibung	
0	56388520	1	Spindelmutter	Not Shown
0	56416436	1	Blitzlampe	For 56413433 - Not Shown
0	56454485	1	"Kohle Kit CR 1300; Satz"	set of 8 - Not Shown
0	56459327	1	HARNESS MAIN	Not Shown
0	56459841	1	Kabel m. Stecker	Not Shown
0	56459950	1	HARNESS SEAT SWITCH	Not Shown
0	56468382	1	"Kohle BR 1100; 2 StkCR 1300"	Not Shown
0	56470431	1	Kohlen Satz	Not Shown
A1	56454803	1	Fahrsteuerung	
D1	56454812	1	Diode (Satz)	
D2	56454812	1	Diode (Satz)	
D3	56454812	1	Diode (Satz)	
D4	56454813	1	DIODE ASSEMBLY	
D5	56459819	1	RECTIFIER ASSY.	TSBUS2003-843
D6	56459819	1	RECTIFIER ASSY.	
D7	56459819	1	RECTIFIER ASSY.	
D8	56454813	1	DIODE ASSEMBLY	
E1	56392175	1	Control Assy 36 V Dual	
E2	56392175	1	Control Assy 36 V Dual	
E3	56454831	1	INTERLOCK ASSY	
E4	56392175	1	Control Assy 36 V Dual	
E5	56392175	1	Control Assy 36 V Dual	
F1	56409230	1	Sicherungsautomat 80Amp.	
F2	56452193	1	Schütz	
F3	56452193	1	Schütz	
F4	56454538	1	Sicherungsautomat 15A	
F5	56387328	1	Unterbrecher	
F6	56479108	1	Sicherung	
F7	56387316	1	Schütz 10A	
H3	56416433	1	Blitzlampe zu BR 700	
H4	56416168	1	Scheinwerfer für SR 1600	
H4	56482642	1	BULB	For 58416168
H5	56416168	1	Scheinwerfer für SR 1600	
H5	56482642	1	BULB	For 58416168
H6	56482365	1	HORN 36V	
K1	56454806	1	Hauptschütz 36V	TSB 728
K2	56454705	1	SCHALTER	
K3	56454705	1	SCHALTER	
K5	56395450	1	Relais BR 1000	TSBUS2003-843
K6	56395452	1	Relais 36 V	
K7	56395452	1	Relais 36 V	
K8	56416396	1	RELAY MODULE	

Note:

WARNING: Battery weight in excess of 1,475 pounds (669 Kg.) may cause the premature failure of parts

Electrical diagram (2052 after SN1297857 / all C CR 1300 B

06-02-2015

ET-Liste-Nr. E99150

69

Pos	Artikelnr.	Me	Beschreibung
K9	56460098	1	RELAY DPDT TSBUS2003-843, TSBUS2004-853
L1	56459625	1	Elektromagnetventil
M1	56454457	1	Motor 36 V, 1 HP
M3	56452185	1	Bürstenhebemotor
M4	56409825	1	Bürstenmotor 3PS
M5	56391627	1	MOTOR Bürsten, Saugfusszu BR 1000, BA 70
M6	56454335	1	Saugmotor 36V zu 5000B
M7	56454484	1	MOTOR 36 V DC, 4HP
M8	56391627	1	MOTOR Bürsten, Saugfusszu BR 1000, BA 70
M9	56391627	1	MOTOR Bürsten, Saugfusszu BR 1000, BA 70
P1	56393718	1	STUNDENZAehler
P2	56416395	1	FUEL GAUGE BATTERY
R1	56454696	1	RESISTOR ASSEMBLY TSB 728
R2	56452142	1	POTENTIOMETER
S1	56452144	1	SCHALTER
S2	56452144	1	SCHALTER
S3	56452144	1	SCHALTER
S4	56301636	1	Schalter
S5	56376348	1	SCHALTER
S6	56261245	1	Schalter HR 5015
S7	56377003	1	SWITCH, ROCKER DPDT
S9	56441555	1	Schalter Hape SR 1800 D
S10	56452290	1	Schalter zu CR 1300
S11	56452290	1	Schalter zu CR 1300
S14	56388019	1	SCHALTER
S18	56388167	1	SWITCH, MERCURY
S19	56376348	1	SCHALTER

Note:

WARNING: Battery weight in excess of 1,475 pounds (669 Kg.) may cause the premature failure of parts

WEARPAK KIT

CR 1300 B

06-02-2015

ET-Liste-Nr.

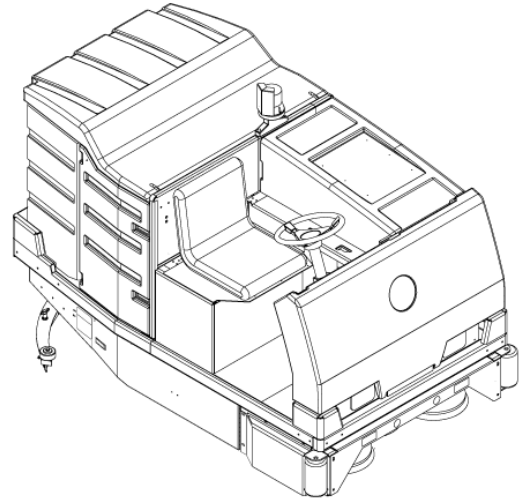
E9931

70

Reduce downtime and maintain peak performance with the Nilfisk CR 1300 WearPak. No more frantic phone calls or emergency shipments when you have key performance and maintenance items on hand as you need them.

The Nilfisk CR 1300 WearPak includes a broom, brushes, squeegee blades, vacuum filter, broom door blades and a front hopper skirt. The WearPak kit keeps your machine running at its best.

Order Part #56459863 and you will receive the following Nilfisk CR 1300 WearPak items:



MACHINES BEFORE SN1321040

Description	Reference No.
One Main Broom	56505001
Four Scrub Brushes	56505768
One Vacuum Filter	56454259
One Rear Linatex Squeegee Blade	56459885
One Front Linatex Squeegee Blade	56459886
One Left Linatex Door Blade	56459852
One Right Linatex Door Blade	56459853
One Front Hopper Skirt	56459157

Order your Nilfisk CR 1300 WearPak today . . . Part #56459863.

MACHINES AFTER SN1321039

Description	Reference No.
One Main Broom	56505001
Four Scrub Brushes	56505768
One Vacuum Filter	56454259
One Rear Linatex Squeegee Blade	56459942
One Front Linatex Squeegee Blade	56459941
One Left Linatex Door Blade	56459852
One Right Linatex Door Blade	56459853
One Front Hopper Skirt	56459157

Order your Nilfisk CR 1300 Wear Items today.

WEARPAK KIT

CR 1300 B

06-02-2015

ET-Liste-Nr. E9931

71

Pos	Artikelnr.	Me	Beschreibung
1	56505001	1	Kehrwalze zu 5015B und zu CR 1300/P
2	56505768	1	Bürste Midlite 330mm
3	56454259	1	Filter
4	56459885	1	Gummilippe hinten f.
5	56459886	1	Gummilippe vorn f.
6	56459852	1	Gummi links zu CR 1300
7	56459853	1	Gummi rechts zu CR 1300
8	56459157	1	Front-Gummilippe CR 1300
9	56459863	1	WEAR ITEM KIT 2052B
10	56459942	1	Sauglippe H zu CR 1300
11	56459941	1	Sauglippen Front CR 1300

BESENWÄHLER

CR 1300 B

06-02-2015

ET-Liste-Nr.

E9932

72

Main Broom: PN56505001 Polypropylene (STD.)
Good all-purpose broom for hard floor,
resists moisture.

PN56505617 Proex (Optional)
Designed to pick up paper, gravel, sand
and other lighter, less bulky litter.

6 Double Row

Length 36" (91.44 cm)
Diameter 11.5" (29.21 cm)

BESENWÄHLER

CR 1300 B

06-02-2015

ET-Liste-Nr. E9932

73

Pos	Artikelnr.	Me	Beschreibung
1	56505001	1	Kehrwalze zu 5015B und zu CR 1300/P
2	56505617	1	Kehrwalze proex zu 5015Bund CR 1300

BÜRSTENWÄHLER

CR 1300 B

06-02-2015

ET-Liste-Nr.

E9933

74

We manufacture brushes and pad holders that will give you the best possible performance between machine and floor. Following are descriptions of the materials and their applications when used on the CR 1300.

- Union Mix:** Medium grade natural fibers for polishing finished floors with standard-speed equipment. Recommended for use in place of white pads.
- ProLite:** Bristles are made from light-duty polypropylene for general scrubbing when you do not want to scratch or remove finish from the floor. Recommended for use in place of red pads.
- Prolene:** Polypropylene material for medium-duty scrubbing on concrete, terrazzo and vinyl floor tile. Recommended for use in place of green or blue pads.
- Magna Grit:** For extreme heavy-duty scrubbing or stripping of floors. This brush has extra large diameter silicon carbide grit impregnated synthetic bristles. Recommended for use in place of black pads.
- Dyna Grit:** For aggressive, heavy-duty scrubbing or stripping of floors. Recommended for use in place of brown pads.
- MidLite Grit:** For general purpose scrubbing of sealed or unsealed concrete, stone, terrazzo, quarry tile and other resilient hard floor surfaces. Recommended for use in place of green or blue pads.
- MidGrit:** For general purpose scrubbing when you need a lighter action for sealed or unsealed concrete, stone, terrazzo, quarry tile and other resilient hard floor surfaces. Recommended for use in place of green or blue pads.
- AgLite Grit:** For light scrubbing when used wet; buffing or polishing when used dry on urethane coated, sealed concrete or other resilient hard surface floors. Recommended for use in place of red or white pads.
- Short Trim Pad Holder:** Made with a structural foam block and center ring for correct pad centering. It has a "shower feed" design for getting solution to the floor.

- Ref. No.:** 56505766 - Union Mix
56505764 - Prolene
56505762 - Dyna Grit
56505767 - MidGrit
56505760 - Short Trim Pad Holder
56505765 - ProLite
56505761 - Magna Grit
56505768 - MidLite Grit
56505763 - AgLite Grit

BÜRSTENWÄHLER

CR 1300 B

06-02-2015

ET-Liste-Nr. E9933

75

Pos	Artikelnr.	Me	Beschreibung
1	56505766	1	Bürste, Union Mix
2	56505764	1	Bürste PPN hart zu BR5000und CR 1300
3	56505762	1	Bürste sica mittelzu CR 1300
4	56505767	1	Bürste Sica weich 330
5	56505760	1	Padhalter 330mm
6	56505765	1	Bürste PPN weich
7	56505761	1	Bürste Sica hartzu CR 1300
8	56505768	1	Bürste Midlite 330mm
9	56505763	1	Bürste Aglite Grit

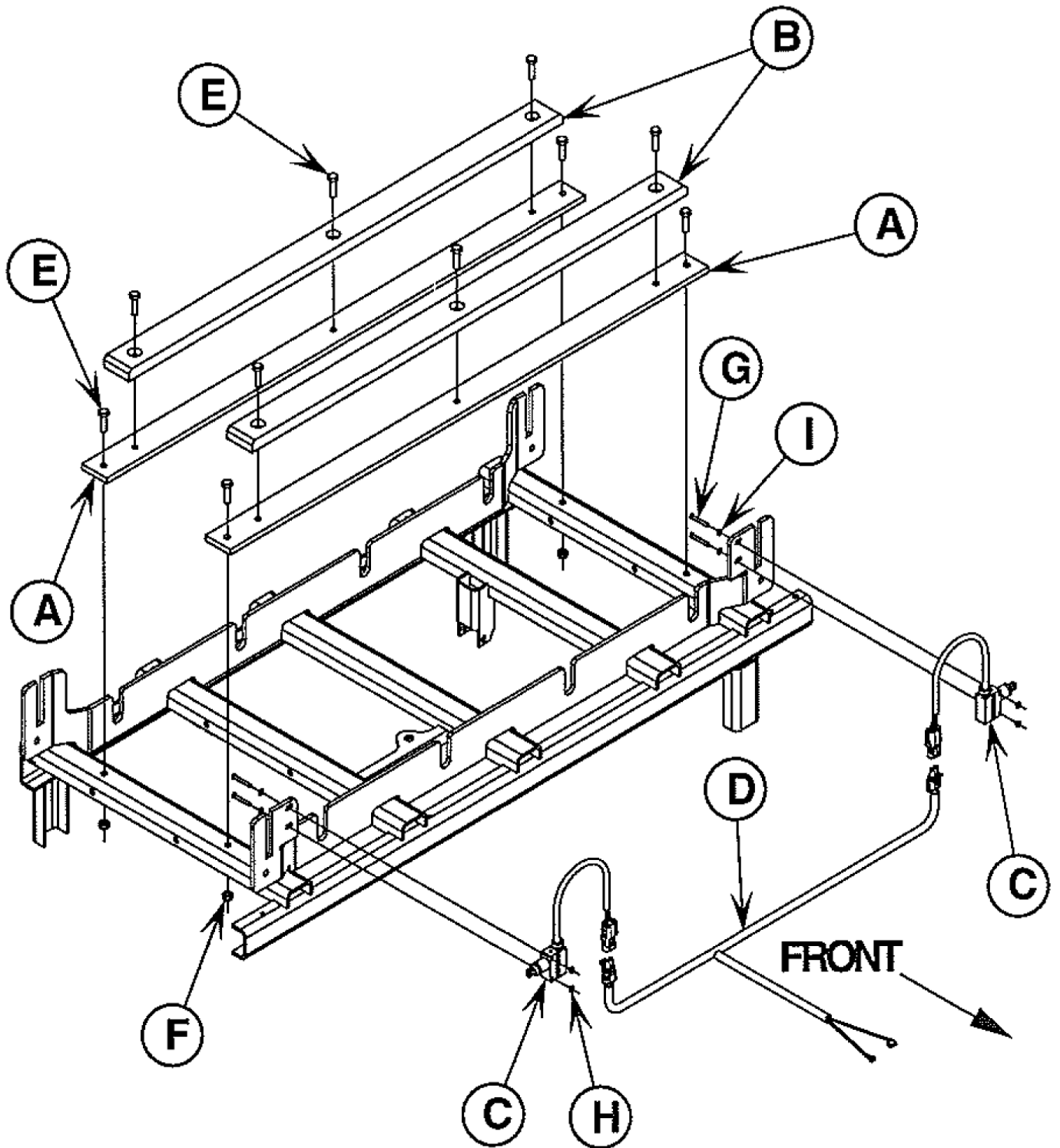
56459909 - Battery Slide out Kit

CR 1300 B

06-02-2015

ET-Liste-Nr.
IS56040685

76



56459909 - Battery Slide out Kit

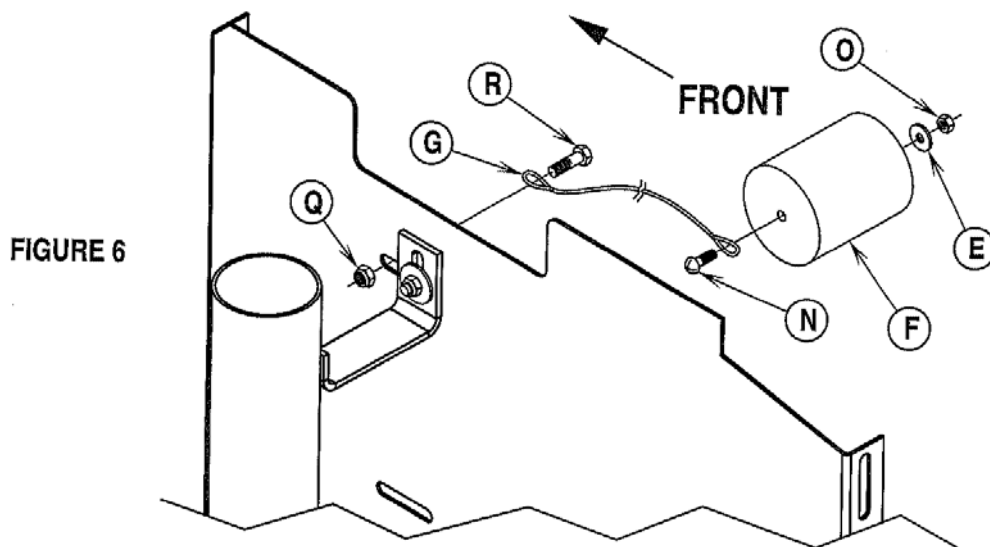
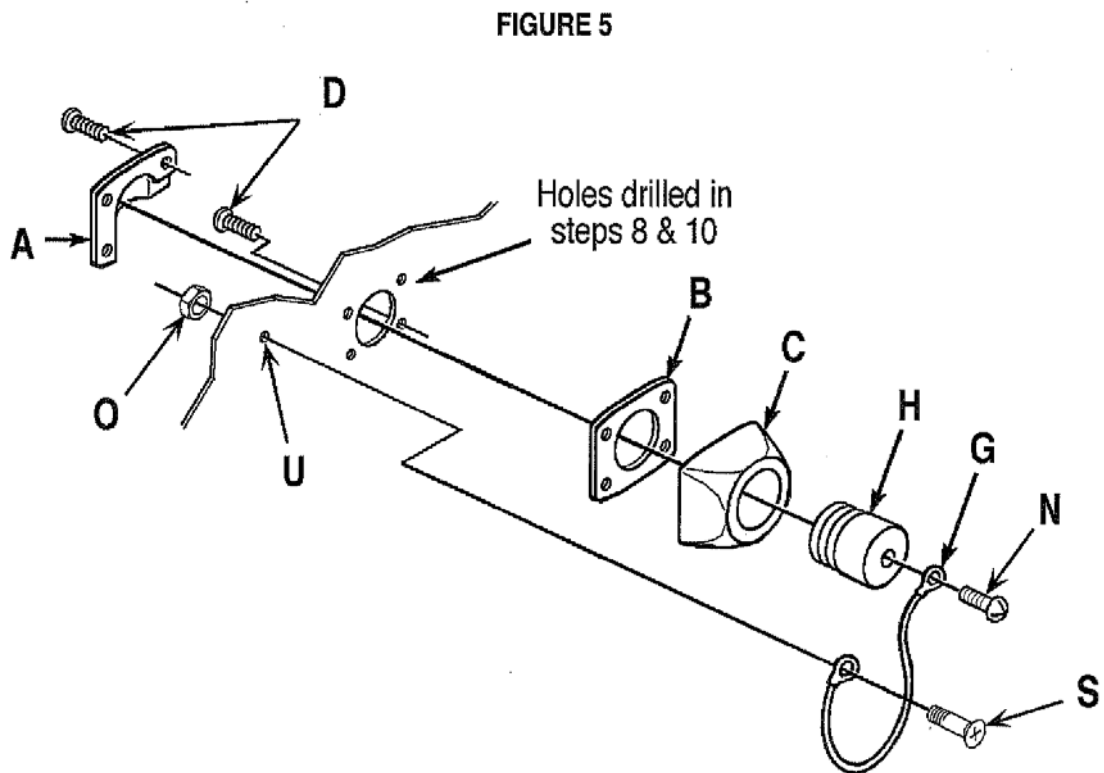
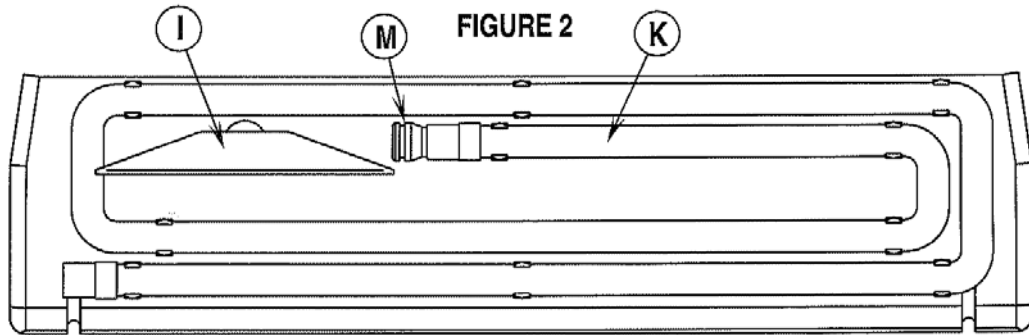
CR 1300 B

06-02-2015

ET-Liste-Nr.
IS56040685

77

Pos	Artikelnr.	Me	Beschreibung
0	56459909	1	KIT BATTERY SLIDE OUT
0	56477613	5	Kabelbändli 7x380mm NOT SHOWN
0	56478246	2	CABLE TIE E00549 RE438BA NOT SHOWN
E	56002221	10	SCR HEX HD 5/16-18 X 1.00
F	56002701	4	MUTTER 5-16-18 HEX JAM
G	56002067	4	SCR FLT PHIL 6-32 X 1.25
H	56002808	4	NUT HEX NYLOC 8-32
I	56002140	4	WSH FLT SAE 8



56456186 - Wand Kit

CR 1300 B

06-02-2015

ET-Liste-Nr.
IS56040708

79

Pos	Artikelnr.	Me	Beschreibung
0	56456186	1	WAND KIT 2052B INS
A	56205829	1	Deflektor
B	56201390	1	Dichtung HP2
C	56205821	1	CONNECTOR ASSEMBLY
D	56009006	29	Schraube
E	56009205	1	U-Scheibe
F	56453616	1	CAP PLASTIC
G	56325240	2	KABEL COMPL.
H	56456078	2	PLUG
I	56205114	1	SQUEEGEE TOOL 14AS
J	56202088	1	WAND ASSY STEEL HP36X
K	56329062	1	Schlauch 1.50
L	56407361	12	Plastikklammer zu BR 850
M	56301339	1	1.5 COUPLER
N	56002896	2	Schraube SS10-24X0
O	56002849	2	NUT HEX NYL LOC-THIN SS10
P	56002171	1	Schraube 10-24
Q	56002491	1	Stopmutter 1/4-20
R	56003087	1	Schraube PAN PHIL SS
S	56002917	1	Schraube FLT PHIL SS 10-24 X 1.00

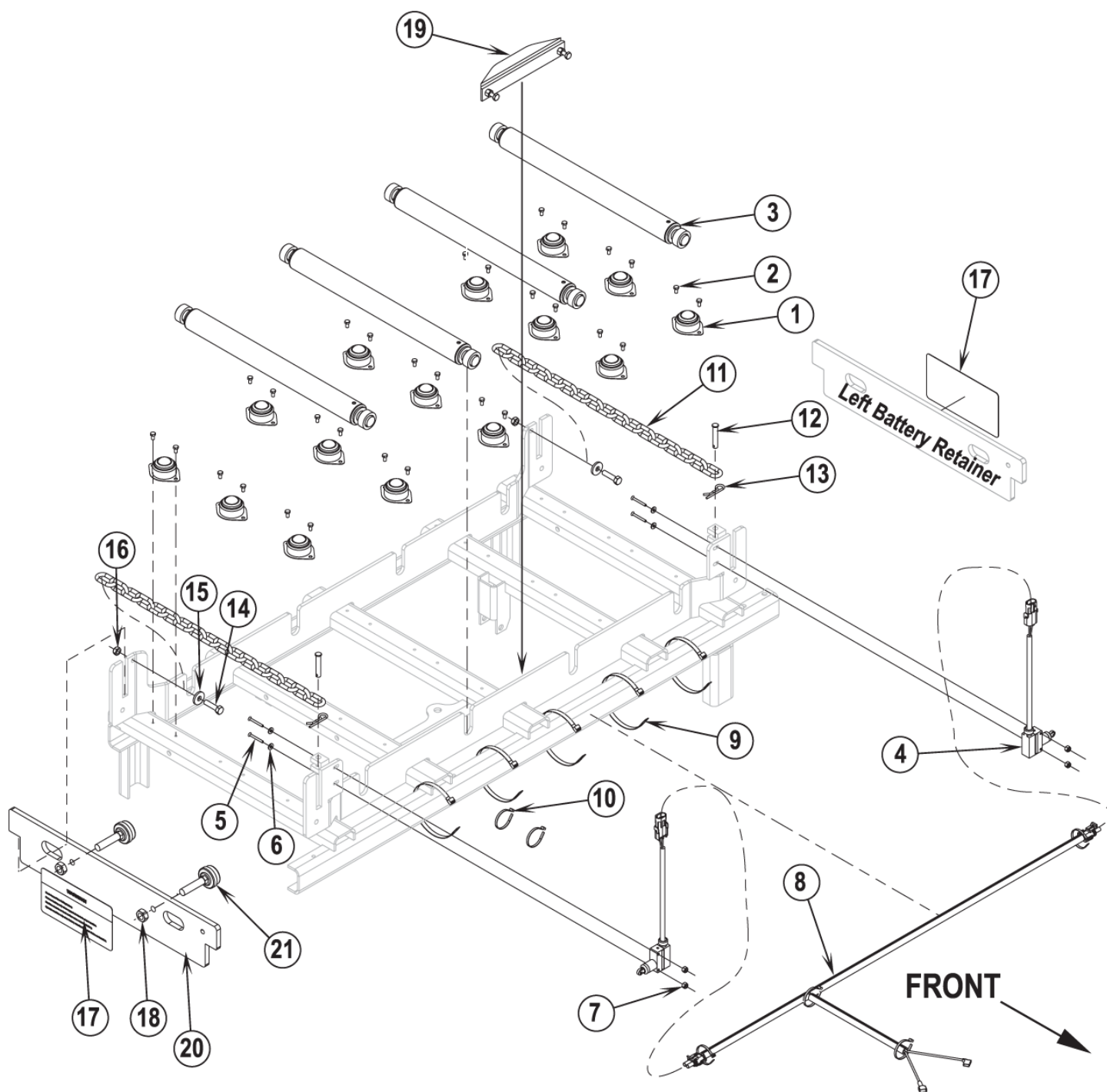
56460088 - Battery Roll out Kit

CR 1300 B

06-02-2015

ET-Liste-Nr.
IS56040804

80



56460088 - Battery Roll out Kit

CR 1300 B

06-02-2015

ET-Liste-Nr.
IS56040804

81

Pos	Artikelnr.	Me	Beschreibung
0	56460088	1	BATTERY ROLLOUT KIT
2	56009012	30	Schraube 10-24 x 3/8Siehe 56009039
5	56003049	4	Schraube PAN PHIL.
6	56002006	4	WSH FLT SAE 6
7	56002830	4	NUT HEX NYL LOC 6-32
9	56477613	5	Kabelbändli 7x380mm
10	56478246	2	CABLE TIE E00549 RE438BA
12	56321404	2	PIN .312X1.780 HC38DB
13	56003222	2	"Splint 0.125" x 0.5"'"
14	56001834	2	Schraube 5/16-18 x 1,25
15	56009122	2	Unterlegscheibe
16	56002826	2	NUT HEX NYLOC THIN 5/16-1
18	56002770	2	Mutter 1/2 - 13
21	56449221	2	DAEMPFER

56460099 - Relay Kit

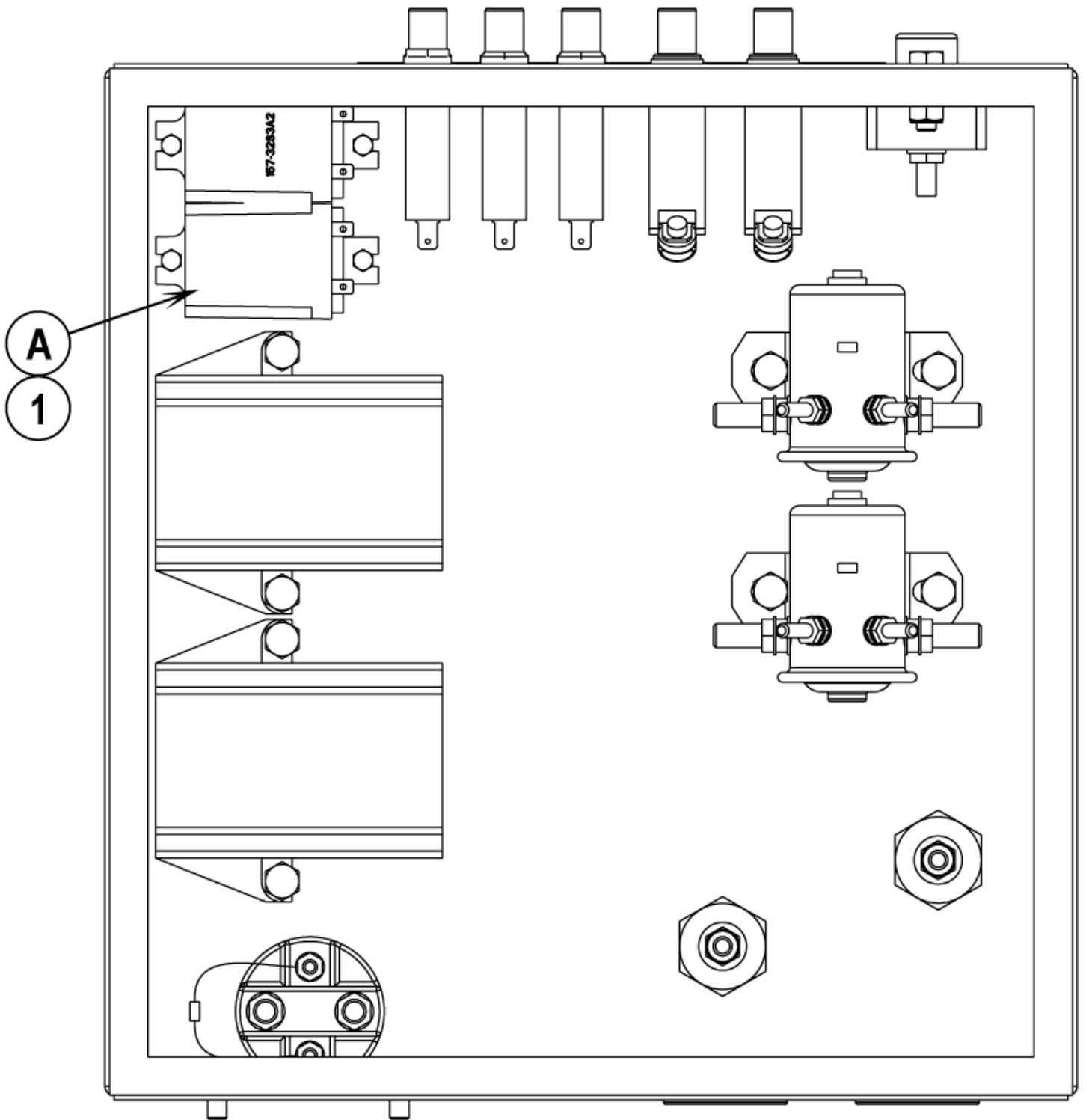
CR 1300 B

06-02-2015

ET-Liste-Nr.
IS56040816

82

Left Electrical Panel Assembly



56460099 - Relay Kit

CR 1300 B

06-02-2015

ET-Liste-Nr.
IS56040816

83

Pos	Artikelnr.	Me	Beschreibung
0	56460099	1	Relais 36 V
1	56460098	1	RELAY DPDT
2	56244138	6	RECEPTACLE TAB .250FC336B