

KC 65 T

Model:
KC 65



Part List US-English

06-02-2015

Table of Contents

KC 65 T

Chassis and frame	3
Brushes	5
Rear wheels and motor	8
Battery and filter	11

Chassis and frame

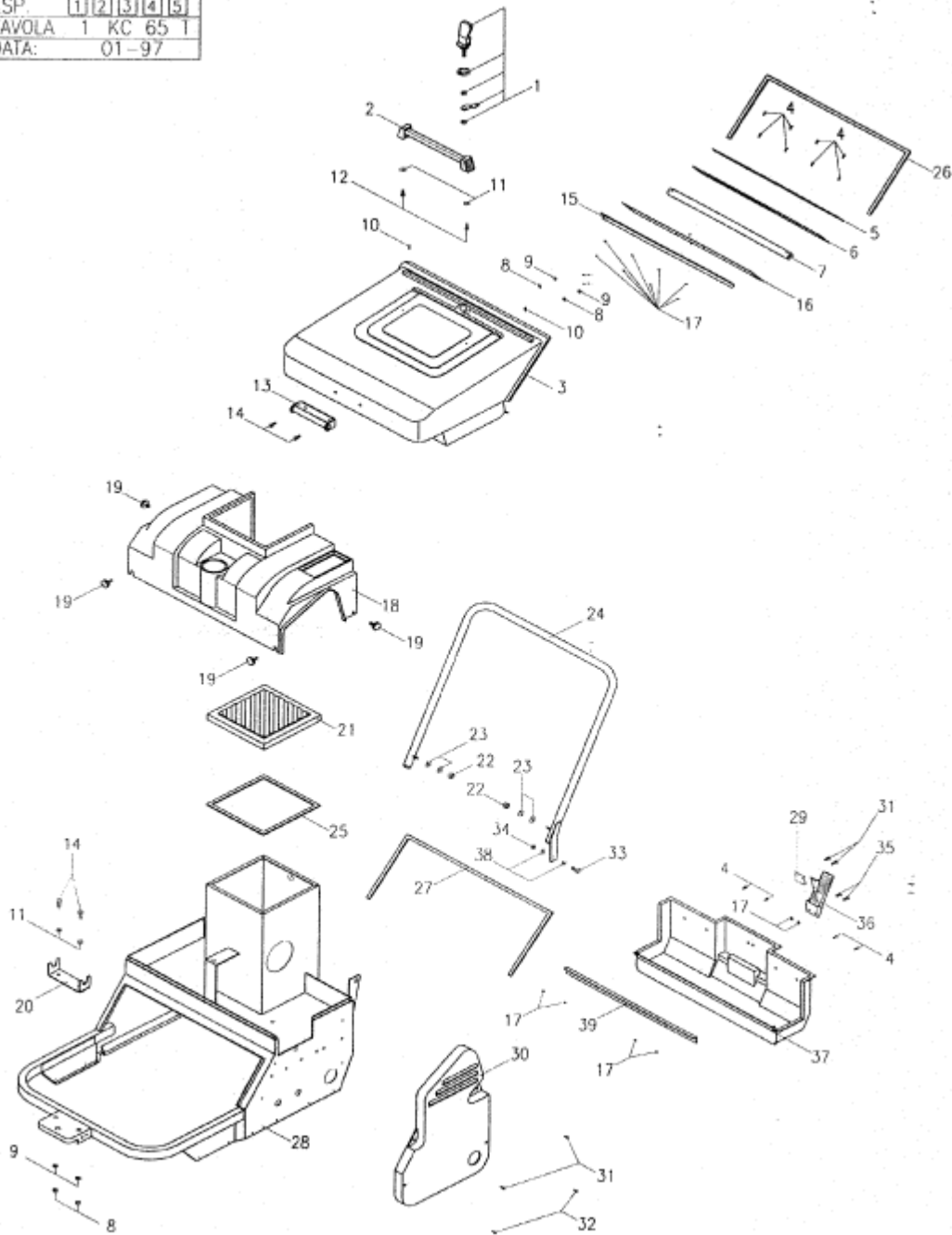
KC 65 T

06-02-2015

Part List ID
KC65T02

3

COD.	
ESP.	1 2 3 4 5
TAVOLA	1 KC 65 1
DATA:	01-97



Chassis and frame

KC 65 T

06-02-2015

Part List ID
KC65102

4

Pos	Part no.	Qty	Description
1	7114550	1	COMPLETE LOCKING
2	7114470	1	HANDLE L.275
3	7114950	1	ANTHRACITE FRONT DRAWER -B
5	7114314	1	FRONT DRAWER RUBBER
6	7114359	1	RUBBER RETAINER FOR THE F
7	7114360	1	DRAWER BRACING
8	7114115	4	WASHER 6X18
9	1800705	4	NUT M6 ISO 4032
10	7114118	2	SCREW 3.5X13
11	7114116	4	WASHER 6X24
12	7114166	2	SCREW 6.3X19
13	7114453	1	FRONT HOPPER SUPPORT
14	7114130	4	SCREW 6X16
15	7114431	1	FLAP FIXER
16	7114384	1	FRONT DRAWER PARA
17	2759	14	HEXAGON NUT M4
18	7114786	1	UPPER COVER ANTHRACITE -BL
19	7114233	4	KNOB Ø20 M5X20
20	7114391	1	FRONT HOPPER SUPPORT STA
21	7114523	1	FILTER COVER
22	7114161	2	NUT M10
23	7114136	4	WASHER 10X21
24	7114676	1	HANDGRIP PAINTED
25	7114266	1	FILTER GASKETS KIT
26	7114956	1	ADHESIVE KIT FOR FRONT DR
27	7114957	1	ADHESIVE KIT FOR REAR DRA
28	7114850	1	FRAME RAL7001
29	7114227	1	LEVER LOCK STRIKER
30	7114643	1	RIGHT SIDE CASING
31	7114119	4	SELF-TAPPING SCREW 3.5X9.
32	7114165	2	SCREW 3.5X45
33	7114123	1	SCREW 8X25
35	7114101	2	SCREW 4X16
36	7114463	1	LEVER LOCK
37	7114717	1	BACK DRAWER
38	7114113	2	WASHER 8X17
39	7114430	1	DRAWER BRACING

Brushes

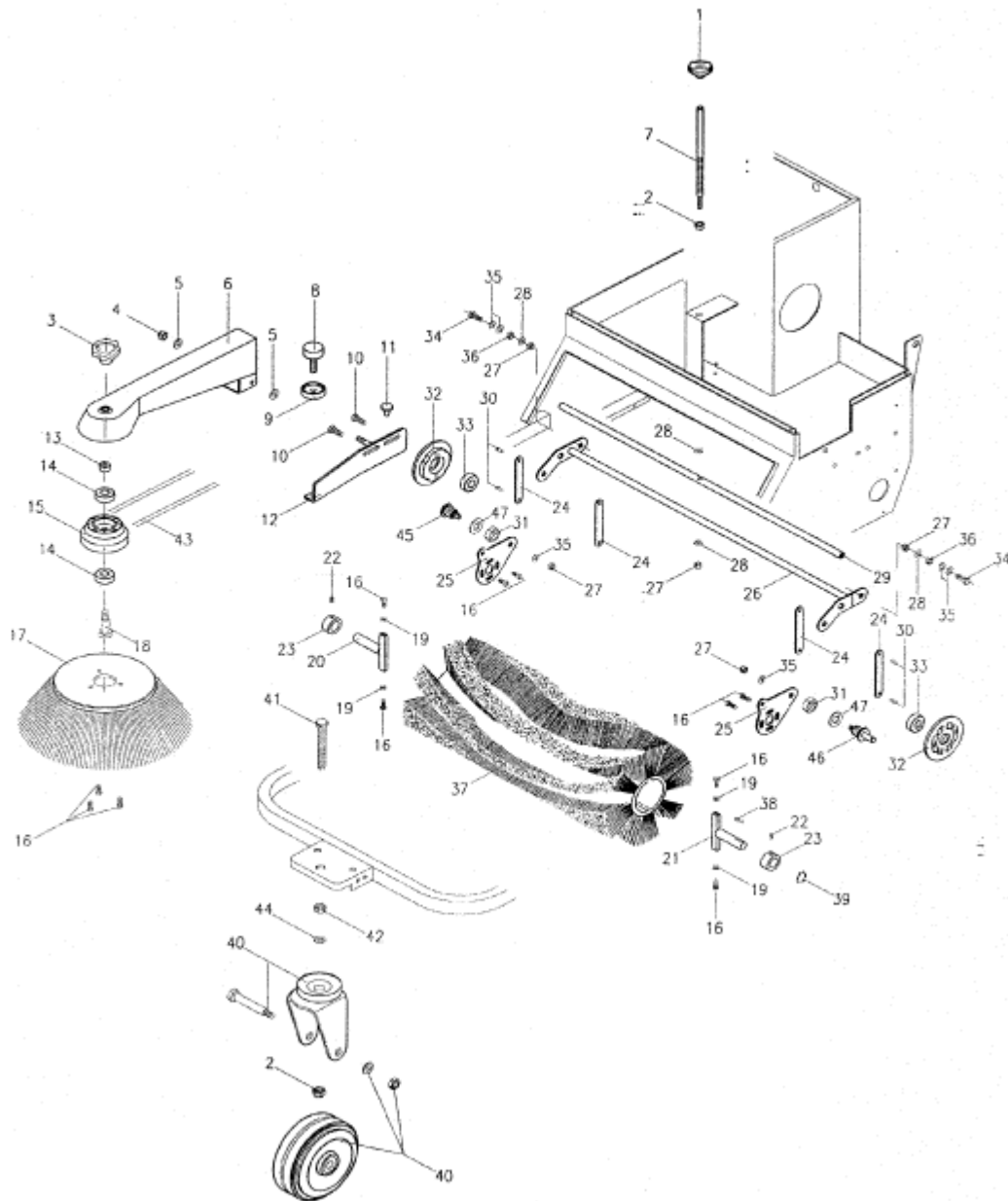
KC 65 T

06-02-2015

Part List ID
KC65T04

5

COD.	
ESP.	1 2 3 4 5
TAVOLA	2 KC 65 T
DATA:	01-97



Brushes

KC 65 T

06-02-2015

Part List ID
KC65104

6

Pos	Part no.	Qty	Description
1	7114322	1	KNOB
2	7114180	2	LOCKNUT M12
3	7114332	1	HANDWHEEL Ø60M 10
4	7114161	1	NUT M10
5	7114136	2	WASHER 10X21
6	7114629	1	BLACK SIDE ARM
7	7114483	1	PIVOT
8	7114347	1	ADJUSTING BUMPER
9	7114262	1	KNURLED RING NUT. 40 M8
10	7114131	2	SCREW 8X16
11	7114223	1	ANTI VIBRATION
12	7114436	1	SIDE ARM SUPPORT
13	7114234	1	ARM SPACER
14	7114461	2	MOTOR BEARING 6201 2RS
15	7114471	1	PULLEY Ø82
16	7114110	11	SCREW 6X10
17	7114620	1	SIDE BRUSH PPL 50
18	7114362	1	SIDE ARM PIVOT
19	7114115	4	WASHER 6X18
20	7114374	1	BRUSH SHAFT
21	7114406	1	BRUSH DRIVING SHAFT
22	7114170	2	DOWEL 6X6
23	7115340	2	SPACER. BRUSH SHAFT
24	7114242	4	BRACKET
25	7114393	2	ROCKER BUSHING SUPPORT
26	7114539	1	ROCKER
28	7114113	4	WASHER 8X17
29	7114356	1	ROCKER PIPE
30	7114919	4	SPLIT RIVET 6X14 TT
31	7114220	2	NUT M18
32	7114438	2	BEARING SUPPORT
33	7114482	2	BEARINGS
34	7114124	2	SCREW 8X35
35	7114138	6	WASHER 8X24
36	7114126	2	NUT M8
37	7114705	1	MAIN BRUSH 490
38	7114169	1	KEY 5X5X15
39	7114167	1	SEEGER CIRCLIP RING
40	7114641	1	ROTARY SUPPORT WHEEL Ø100
42	7114128	1	LOCKNUT M12
43	7114598	1	BELT Z 68.5 KC65T
44	7114137	1	WASHER 12X24
45	7115200	1	PIN FOR ROCKER

Brushes

KC 65 T

06-02-2015

Part List ID

KC65104

7

Pos	Part no.	Qty	Description
46	7115201	1	MANUALS WHEEL PIVOT

Rear wheels and motor

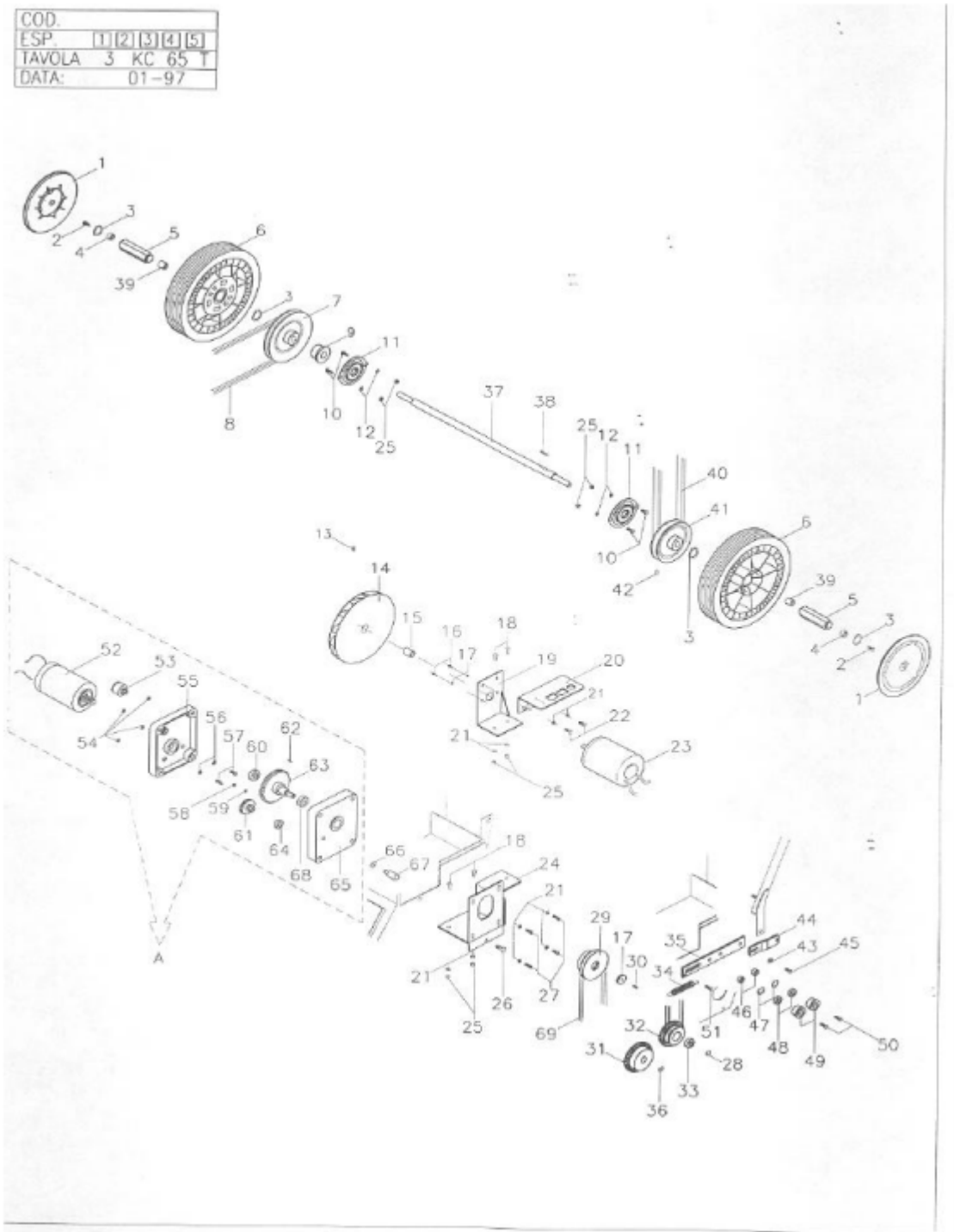
06-02-2015

Part List ID
KC65T06

KC 65 T

8

COD.	
ESP.	1 2 3 4 5
TAVOLA	3 KC 65 T
DATA:	01-97



Rear wheels and motor

KC 65 T

06-02-2015

Part List ID KC65106

9

Pos	Part no.	Qty	Description
1	7114258	2	BLACK WHEELS COVER Ø 200
2	7114134	2	SCREW 6X10
3	7114206	4	OUTER SNAP RING Ø28
4	7114515	2	BEARING HK 1412
5	7114499	2	HEXAGONAL BUSHING
6	7114622	2	WHEEL Ø250X55
7	7114544	1	PULLEY Ø178M
8	7114598	1	BELT Z 68.5 KC65T
9	7114257	1	BUSHING.Ø20 X15
A	7114848	1	REDUCTION GEAR
11	7114669	2	SUPPORT SBPFL 203
12	7114112	4	WASHER 6X12
13	7114883	1	DOWEL 8X 20
14	7114713	1	FAN Ø 200
15	7114397	1	FAN BUSHING
16	7114102	2	SCREW 5X16
17	7114114	3	WASHER 5X20
18	7114130	4	SCREW 6X16
19	7114545	1	MOTOR SUPPORT
20	7114516	1	SUPPORT SWITCH
21	7114115	10	WASHER 6X18
22	7114110	2	SCREW 6X10
23	7114809	1	MOTOR WITH Ø 77 SMOOTH SH
24	7114642	1	MOTOR INDUCTOR SUPPORT
25	1805399	8	LOCK NUT W. NYLONRING M6 A2
26	7114166	1	SCREW 6.3X19
27	7114198	4	SCREW 6X50
28	7114168	1	OUTER SNAP RING Ø10
29	31000268	1	PULLEY
31	7114655	1	Z 48 GEAR
32	7114639	1	Z 40 GEAR
33	7114420	1	BEARINGS 6000 2RS
34	7114342	1	SPRING
35	7114524	1	BELT TIGHTENER BRACKET
36	7114167	1	SEEGER CIRCLIP RING
37	7114674	1	DRIVE SHAFT
38	7114169	1	KEY 5X5X15
39	7114668	2	BEARING HFL 1426
40	7114459	1	BELT M 32
41	7114687	1	TRACTION PULLEY
42	7114150	1	DOWEL 6X10
43	7114113	1	WASHER 8X17
44	7114338	1	BRACKET

Rear wheels and motor

KC 65 T

06-02-2015

Part List ID
KC65106

10

Pos	Part no.	Qty	Description
45	7114106	1	SCREW 8X12
46	7114228	2	SPACER
47	7114157	2	INNER SNAP RING. DIN472 Ø
48	7114419	2	BEARING 608 2RS
49	7114404	2	BELT TIGHTENER ROLL H15
50	7114247	2	FIXING SCREW BELT TIGHTEN
51	7114110	1	SCREW 6X10
52	7114808	1	MOTOR.R20 Ø77
53	7114486	1	STAUFF GREASER
54	1800705	4	NUT M6 ISO 4032
55	7114963	1	REDUCTION GEAR BODY
56	7114882	2	SCREW GROWER Ø5
57	7114197	2	SCREW. 5X12
58	7114299	1	BUSHING
59	7114882	1	SCREW GROWER Ø5
60	7114420	1	BEARINGS 6000 2RS
61	7114848	1	REDUCTION GEAR
62	7114186	1	3 X 3 X 15 KEY
63	7114677	1	GEAR FOR THE REDUCTION UN
64	7114440	1	BEARINGS 6002 1 RS
65	7114948	1	REDUCTION GEAR COVER
66	7114116	1	WASHER 6X24
67	7114243	1	PIVOT
69	7114432	1	BELT M 32

Battery and filter

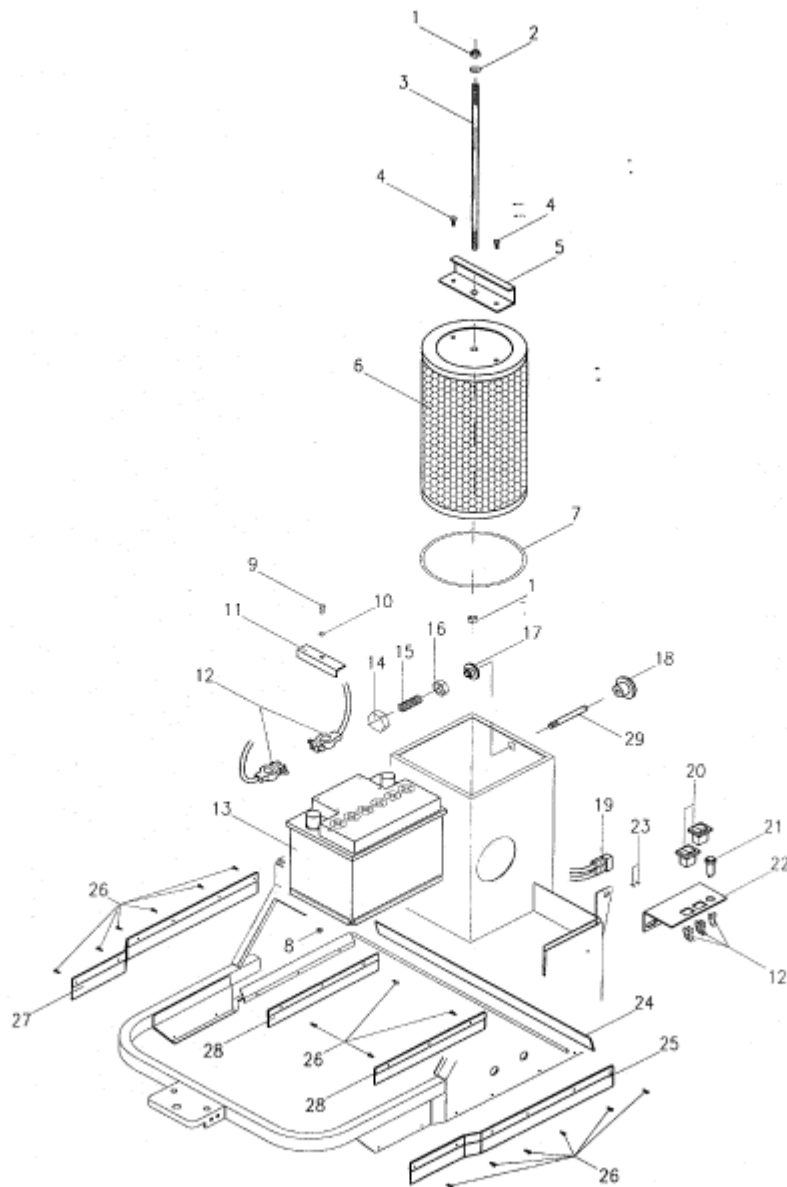
KC 65 T

06-02-2015

Part List ID
KC65T08

11

COD.	
ESP.	1 2 3 4 5
TAVOLA	4 KC 65 T
DATA:	01-97



Battery and filter

KC 65 T

06-02-2015

Part List ID
KC65108

12

Pos	Part no.	Qty	Description
1	7114161	2	NUT M10
2	7114136	1	WASHER 10X21
3	7114341	1	FIXING PIVOT
4	7114166	2	SCREW 6.3X19
5	7114379	1	FILTER FIXING BRACKET
6	7114667	1	FILTER
7	7114319	1	OR 112X6 GASKET
8	1805399	1	LOCK NUT W. NYLONRING M6 A2
9	7114104	1	SCREW 6X30
10	7114115	1	WASHER 6X18
11	7114417	1	FIXING BRACKET
12	7114791	1	ELECTRIC PLANT
13	7116163	1	BATTERY LIGHT TRAC 12V. 9
14	7114361	1	FILTER SHAKER
15	7114303	1	FILTER SHAKER SPRING
16	7114220	1	NUT M18
17	7114333	1	FILTER SHAKER RAIL
18	7114937	1	KNOB PC/45 M10
19	7114586	1	CONNECTOR FOR BATTERY CHA
20	7114355	2	BIPOLAR SWITCH
21	7114758	1	LBF 12V BATTERY INDICATOR
22	7114516	1	SUPPORT SWITCH
23	7114117	2	SELF-TAPPING SCREW 3.5X19
24	7114348	1	REAR FLAP
25	7114547	1	LEFT SIDE FLAP
26	7114119	16	SELF-TAPPING SCREW 3.5X9.
27	7114548	1	RIGHT SIDE FLAP
28	7114467	2	INNER FLAP
29	7114305	1	PIVOT