

3507W

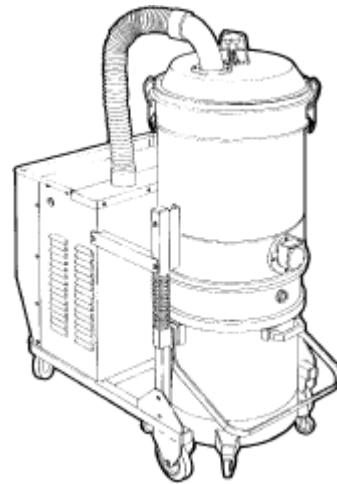
Model:

3507/3507W Z22

3507/3507W Z1

3507/3507W Z2

3507/3507W Z21



Part List US-English

21-02-2015

Table of Contents

3507W

Frame	3
Container unit	5
Filter group	7
Cover	9
Suction unit (Model 3507W)	11
Suction unit (Model 3507)	13
Absolute filter on blowing part	15
Absolute filter on suction part (Model 3507)	17

Frame

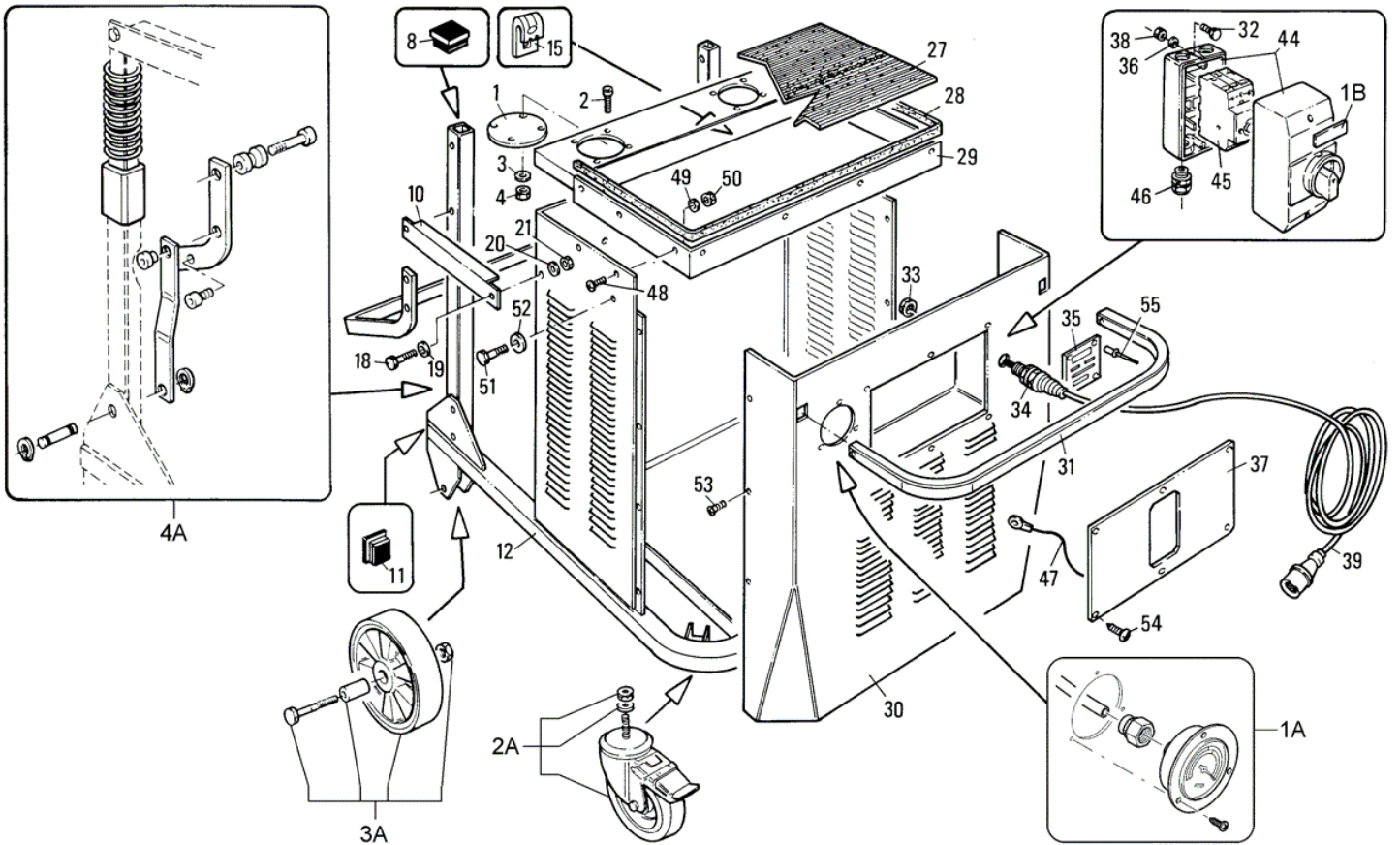
3507W

21-02-2015

Part List ID

350701

3



Frame

3507W

21-02-2015

Part List ID
3507/01

4

Pos	Part no.	Qty	Description	
1	Z8 14006	1	FLANGE D120 CLOSED Z.PLT.	
2		4	NOTE COMMENT	SCREW M6x10 UNI 7687 DIN 7985
3		1	NOTE COMMENT	WASHER D.6 UNI 6592 DIN 433
4		1	NOTE COMMENT	NUT M6 UNI 5588 DIN 934
8	Z8 40034	2	SQUARE PLUG 35 x 35 PVC	
10	Z8 18156	2	REINF. SPACER M.3307	
11	Z8 40035	2	SQUARE PLUG 40 x 40 PVC	
12	Z8 36062	1	CAR MODEL 3307 FE	
15	Z8 40037	4	FASTENER FOR SELF-THREADING.D6	
18		2	NOTE COMMENT	SCREW M8x16 UNI 5739 DIN 933
19		2	NOTE COMMENT	WASHER D.8 UNI 6592 DIN 433
1A	40000554	1	KIT VACUUM GAUGE 4500	Model 3507W
1A	40000569	1	KIT VACUUM GAUGE 6000	Model 3507
20		2	NOTE COMMENT	WASHER D.8x32 UNI 6593 DIN 9021
21		2	NOTE COMMENT	NUT M8 UNI 7474 DIN 985
27	Z8 17086	1	ACCESSORIES BELT MOD.3307	
28	40000763	1	SEAL	
29	Z8 16055	1	ACCESSORIES TANK M.3307	
2A	40000490	1	KIT CASTOR D150	
30	Z8 35081	1	MOBILE COVER 3307 IP55	
31	Z8 18146	1	HANDLE MODEL 3307/3507	
32		2	NOTE COMMENT	SCREW M4x12 UNI 5739 DIN 933
33	Z8 39568	1	METAL RING NUT PG16	
34	Z8 39060	1	CABLE GLAND PG16 PA SPRING	
35	Z8 17015	1	3-PHASE PLATE ALUMINIUM	
36		2	NOTE COMMENT	WASHER D.4x12 UNI 6593 DIN 9021
37	Z8 16195	1	PANEL ELECTRIC B. 3307 IP55	
38		2	NOTE COMMENT	NUT M4 UNI 7474 DIN 985
39	Z8 39025	1	CABLE SUP. 4G2.5 NE. 9M SP16A MOD.3507	
3A	40000486	1	KIT FIXED WHEEL D150	
44	Z8 39947	1	BOX CIRCUIT BREAKER IP55 PKZM0	
45	Z8 39679	1	CIRCUIT BREAKER KLOCK. 4- 6.3 A PKZM0	
46	Z8 39793	2	CABLE GLAND M25 PA	
47	Z8 39667	1	CABLE EARTH MM 250	
48		10	NOTE COMMENT	SCREW M6x10 UNI 7687 DIN 7985
49		4	NOTE COMMENT	WASHER D.6 UNI 6592 DIN 433
4A	40000694	1	PUSH LEVER FE D460 KIT L100	
50		10	NOTE COMMENT	NUT M4 UNI 7474 DIN 985
51		2	NOTE COMMENT	SCREW M8x30 UNI 5739 DIN 933
52		2	NOTE COMMENT	WASHER D.8x32 UNI 6593 DIN 9021
53		12	NOTE COMMENT	SCREW 6,3x16 UNI 6954 DIN 7981
54		6	NOTE COMMENT	SCREW 3,9x16 UNI 6954 DIN 7981
55		4	NOTE COMMENT	RIVET D.2,9x7 DIN 7337

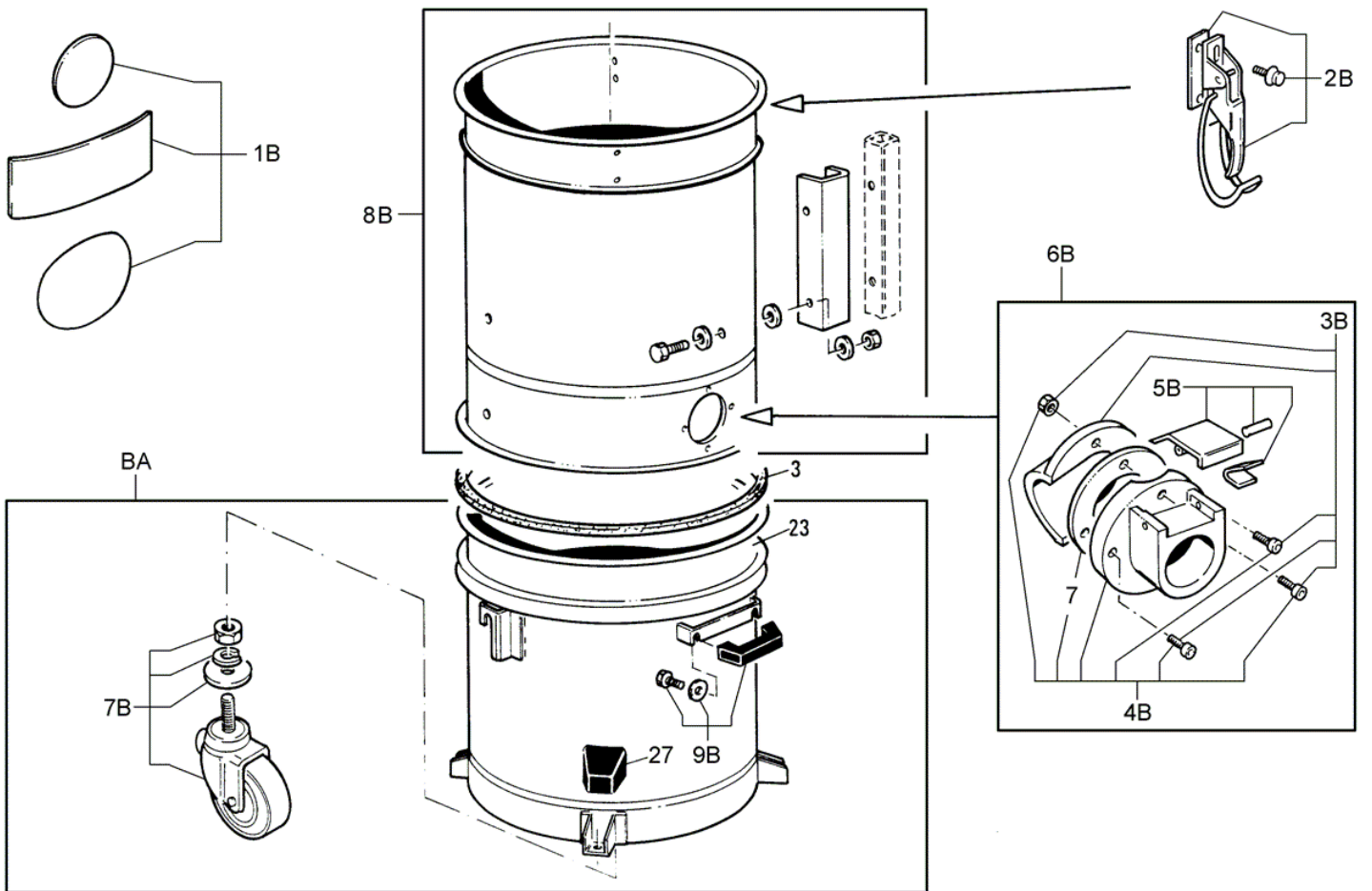
Container unit

3507W

21-02-2015

Part List ID
350703

5



Container unit

3507W

21-02-2015

Part List ID
350703

6

Pos	Part no.	Qty	Description
3	40000762	1	SEAL
7	Z8 17006	1	INLET SEAL D70
1B	40000681	1	LABEL KIT MOD 3507
23	Z8 30278	1	CONTAINER D460x600 FE LT.100 MOD.3308
27	Z8 17021	4	BUMPER WHEEL HOLDER
2B	40000514	1	KIT CAP LOCK
3B	40000395	1	KIT DEFLECTOR D70
4B	40000343	1	KIT INLET FE D70
5B	40000345	1	KIT PUSHBUTTON FOR INLET D70
6B	40000397	1	KIT COMPLETE INLET FE D70
7B	40000419	1	KIT CASTORS FOR CONTAINER
8B	40000421	1	KIT FILTER CHAMBER FE D460 MOD.A17
9B	40000423	1	KIT HANDLE SS
BA	Z8 30291	1	CONTAINER D460x600 FE COMPL. LT.100 MOD.

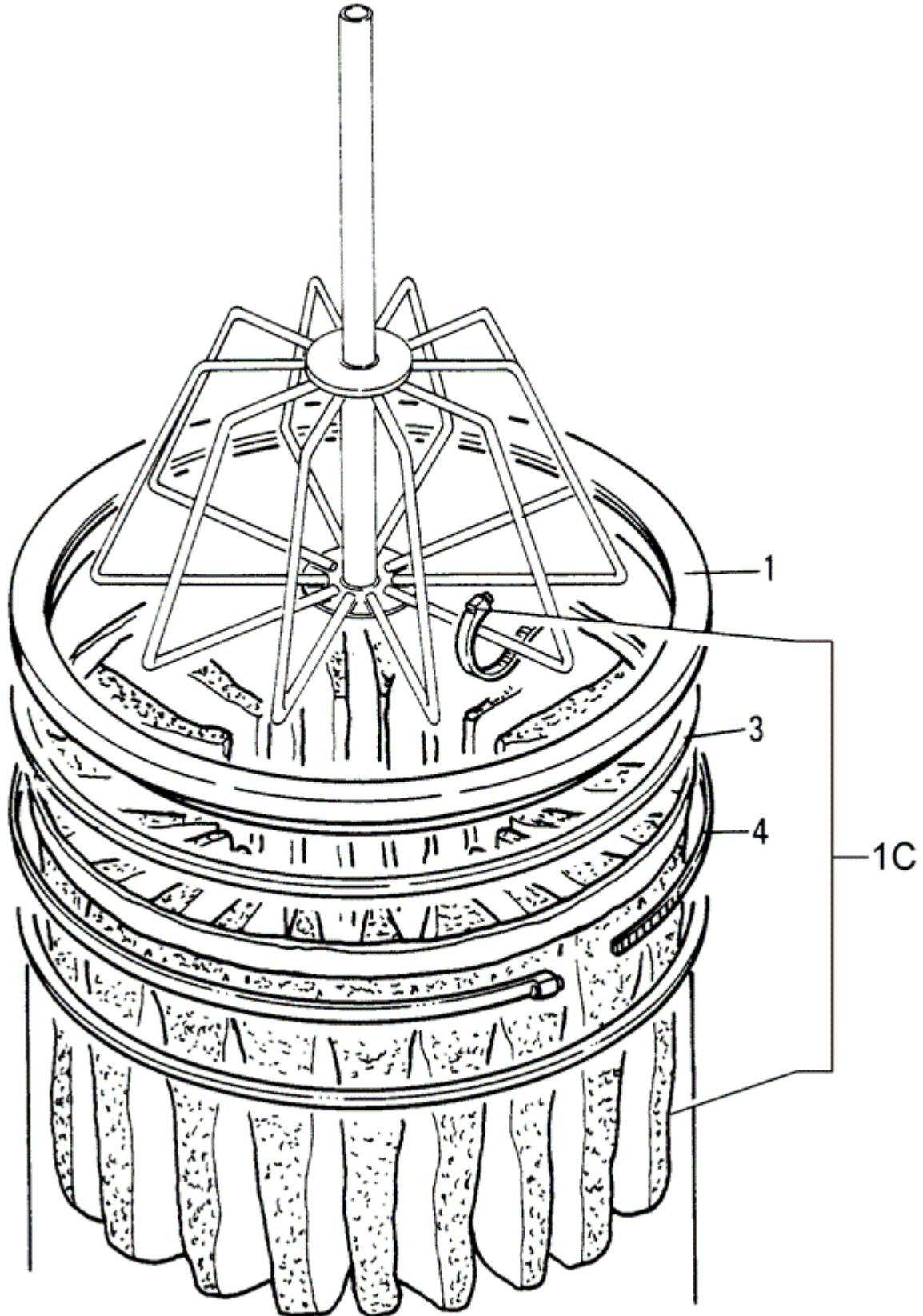
Filter group

3507W

21-02-2015

Part List ID 350705

7



Filter group

3507W

21-02-2015

Part List ID 350705

8

Pos	Part no.	Qty	Description
1	Z8 17026	1	FILTER SEAL D460 BLACK
3	Z8 15003	1	FILTER HOLDER RING D460 FE
4	Z8 18079	1	FILTER BLOCK TIE D460
1C	40000338	1	KIT STAR FILTER D460 L CLASS

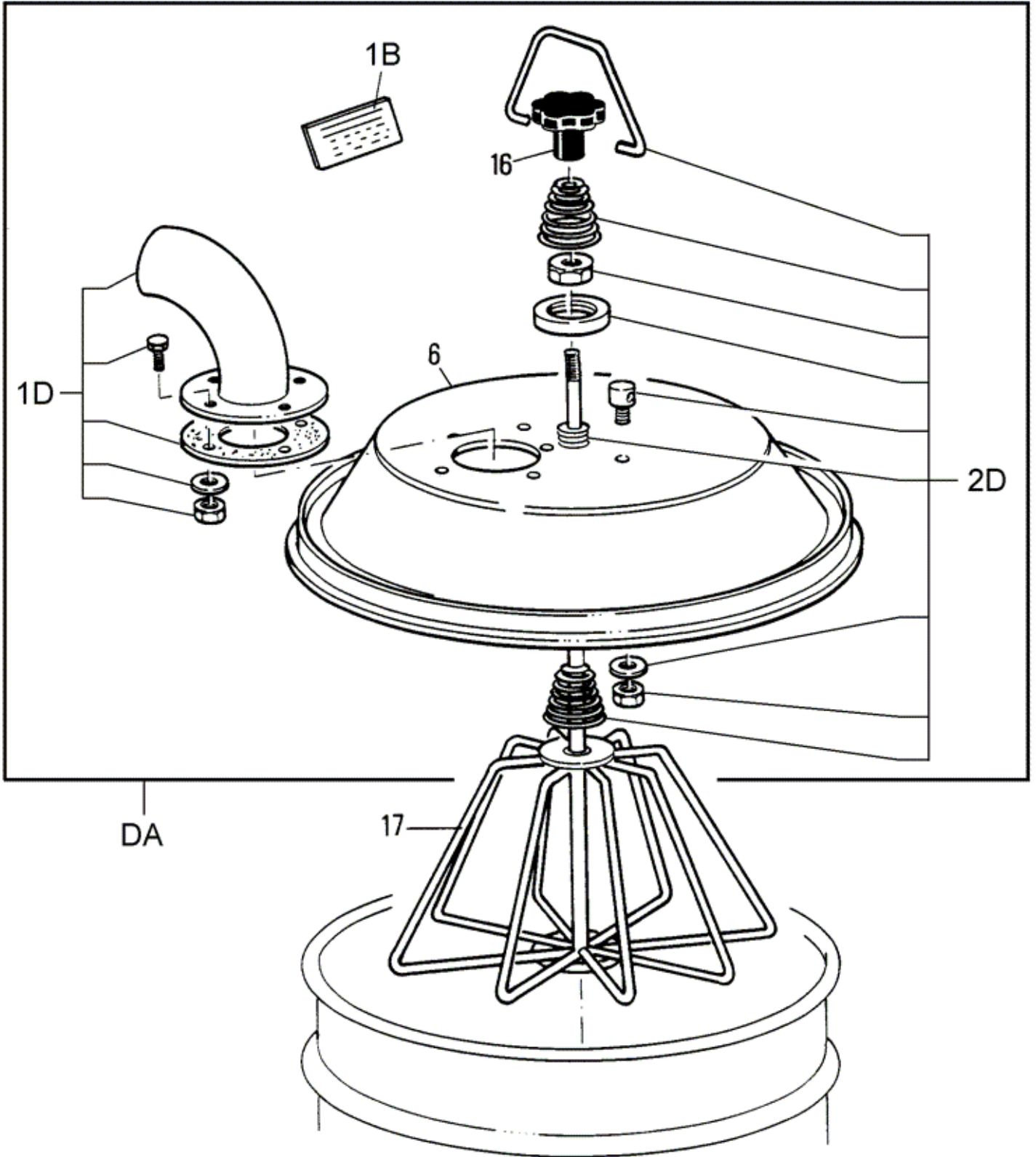
Cover

3507W

21-02-2015

Part List ID
350707

9



Cover

3507W

21-02-2015

Part List ID 350707

10

Pos	Part no.	Qty	Description
6	Z8 31049	1	CAP D460 FE HOLE D70 MAN.FILTER SHAKER
16	Z8 40027	1	KNOB D70 M12 NO HOLE
17	Z8 33072	1	STAR CAGE D460 FE
1D	40000426	1	KIT CAP COUPLING D70 FE FL120
2D	40000313	1	KIT FILTER SHAKER FE
DA	Z8 32212	1	MUFFLER D80 INOX

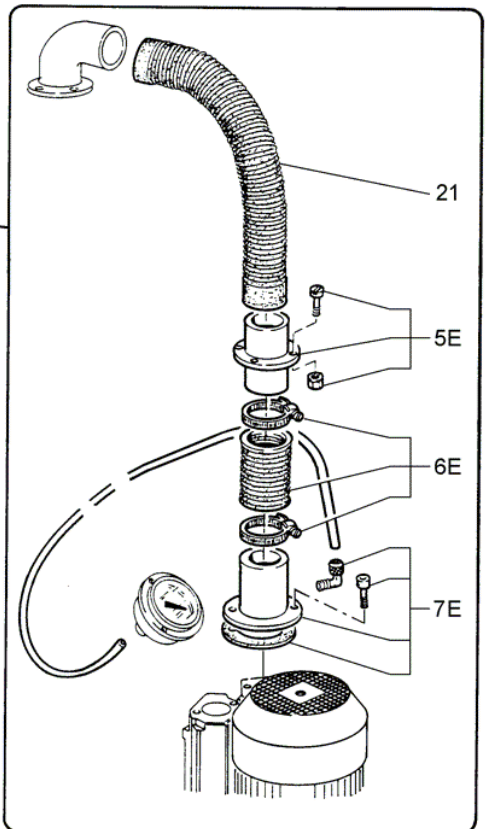
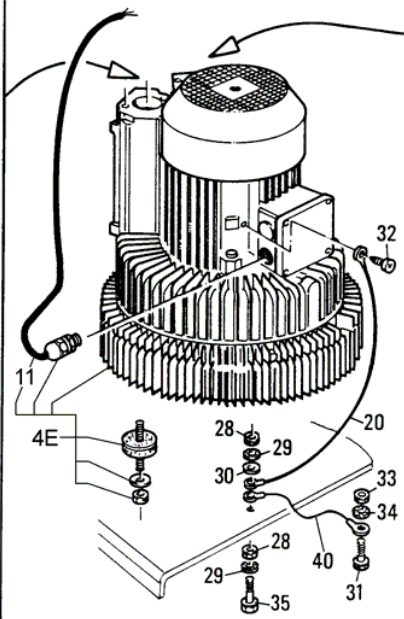
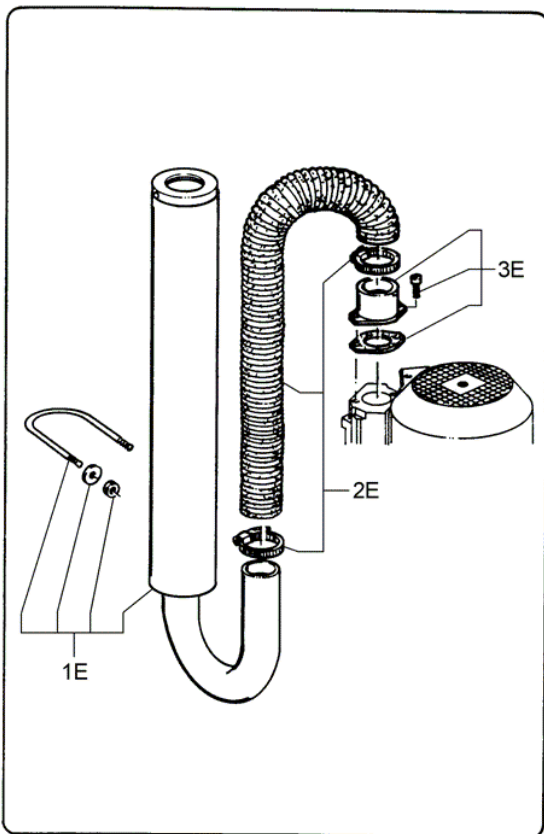
Suction unit (Model 3507W)

3507W

21-02-2015

Part List ID
350709

11



Suction unit (Model 3507W)

3507W

21-02-2015

Part List ID
350709

12

Pos	Part no.	Qty	Description
11	Z8 39285	1	CABLE CONN.MOT. 4G2.5 NE. MOD.3507
1E	40000687	1	SILENCER KIT MOD 3507
20	Z8 39668	1	CABLE EARTH MM 500
21	Z8 13155	1	CONNECTION TUBE 3307/3507
28		2	NOTE COMMENT NUT M6 UNI 5588 DIN 934
29		2	NOTE COMMENT WASHER D.6 UNI 6592 DIN 433
2E	40000701	1	ECHAUST HOSE KIT MOD 3507W
30		1	NOTE COMMENT WASHER D.6 UNI 6592 DIN 433
31		1	NOTE COMMENT SCREW M4x12 UNI 5739 DIN 933
32		1	NOTE COMMENT SCREW M6x10 UNI 5739 DIN 933
33		1	NOTE COMMENT NUT M4 UNI 5588 DIN 934
34		1	NOTE COMMENT WASHER D.4 UNI 6592 DIN 433
35		1	NOTE COMMENT SCREW M6x16 UNI 5739 DIN 933
3E	40000556	1	KIT BLOWING CONNECTION D70
40	Z8 39669	1	CABLE EARTH MM 700
4E	40000700	1	BLOWER KIT MOD 3507W
5E	40000683	1	MOBILE JUNCTION KIT MOD 3508
6E	40000684	1	SUCTION HOSE KIT MOD 3507
7E	40000558	1	KIT SUCTION CONNECTION D70

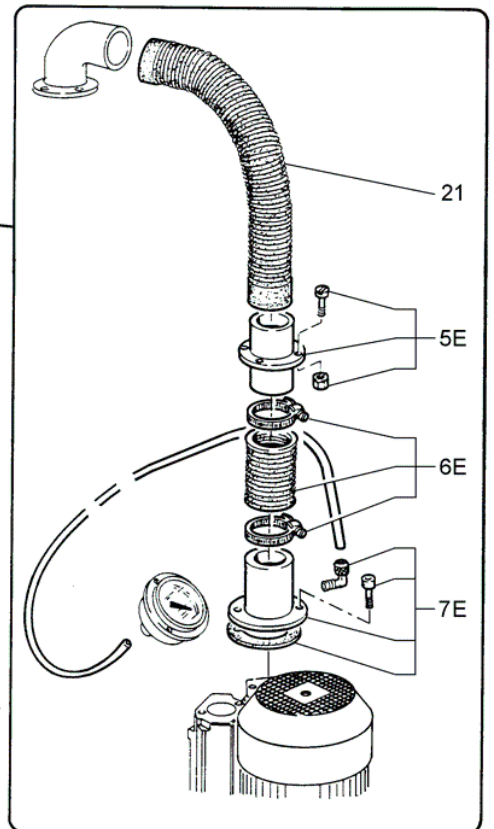
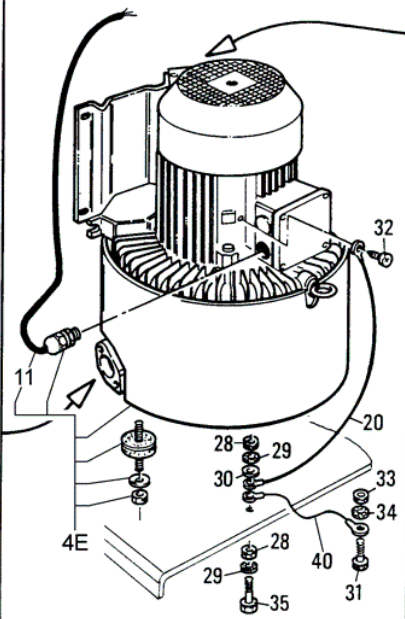
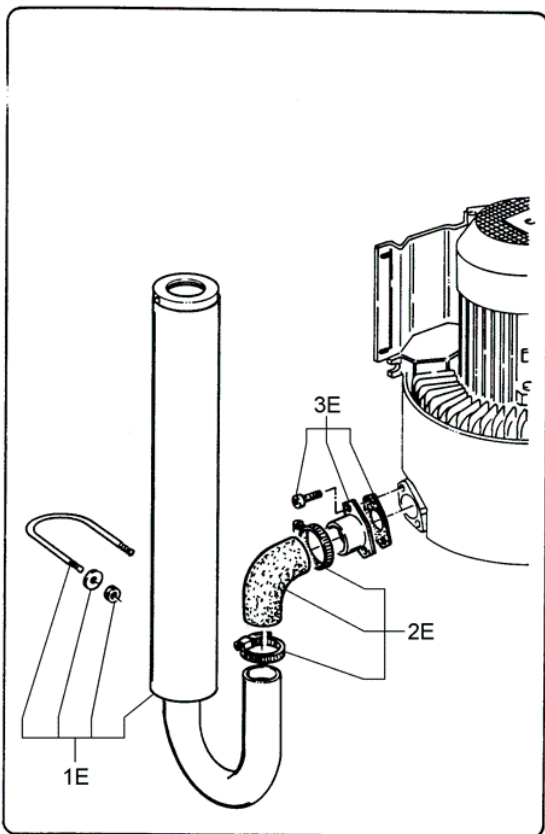
Suction unit (Model 3507)

3507W

21-02-2015

Part List ID
350711

13



Suction unit (Model 3507)

3507W

21-02-2015

Part List ID
3507/11

14

Pos	Part no.	Qty	Description
11	Z8 39285	1	CABLE CONN.MOT. 4G2.5 NE. MOD.3507
1E	40000687	1	SILENCER KIT MOD 3507
20	Z8 39668	1	CABLE EARTH MM 500
21	Z8 13155	1	CONNECTION TUBE 3307/3507
28		2	NOTE COMMENT NUT M6 UNI 5588 DIN 934
29		2	NOTE COMMENT WASHER D.6 UNI 6592 DIN 433
2E	40000686	1	EXHAUST HOSE KIT MOD 3507
30		1	NOTE COMMENT WASHER D.6 UNI 6592 DIN 433
31		1	NOTE COMMENT SCREW M4x12 UNI 5739 DIN 933
32		1	NOTE COMMENT SCREW M6x10 UNI 5739 DIN 933
33		1	NOTE COMMENT NUT M4 UNI 5588 DIN 934
34		1	NOTE COMMENT WASHER D.4 UNI 6592 DIN 433
35		1	NOTE COMMENT SCREW M6x16 UNI 5739 DIN 933
3E	40000556	1	KIT BLOWING CONNECTION D70
40	Z8 39669	1	CABLE EARTH MM 700
4E	40000685	1	BLOWER KIT MOD 3507
5E	40000683	1	MOBILE JUNCTION KIT MOD 3508
6E	40000684	1	SUCTION HOSE KIT MOD 3507
7E	40000558	1	KIT SUCTION CONNECTION D70

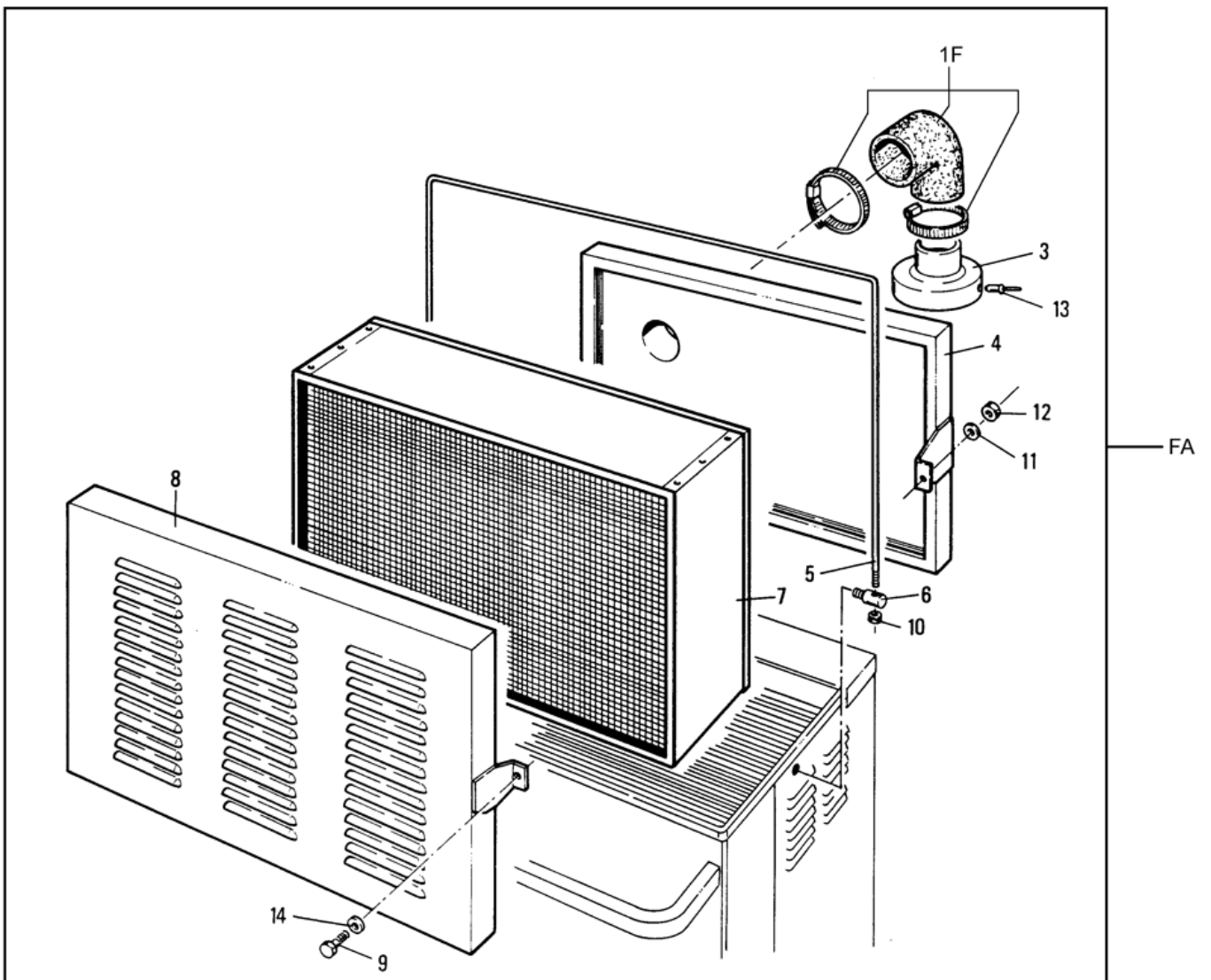
Absolute filter on blowing part

3507W

21-02-2015

Part List ID 350713

15



Absolute filter on blowing part

3507W

21-02-2015

Part List ID

350713

16

Pos	Part no.	Qty	Description
3	Z8 13106	1	MUFFLER COVER D100/70 FE
4	Z8 31058	1	AIR DIFFUSOR A.F. 3307/3707
5	Z8 14077	1	BRACE ABSOLUTE FILTER 3307
6	Z8 14053	2	PIN BRACE ABSOLUTE FILTER
7	Z8 17092	1	ABSOLUTE FILTER 457x610x150 H14
8	Z8 31057	1	PROTECTION ABS.FILTER3307 3707
9		2	NOTE COMMENT SCREW M6x30 UNI 5739 DIN 933
10		2	NOTE COMMENT NUT M5 UNI 7474 DIN 985
11		2	NOTE COMMENT WASHER D.6 UNI 6592 DIN 433
12		2	NOTE COMMENT NUT M6 UNI 7474 DIN 985
13		2	NOTE COMMENT RIVET D.2,9x7 DIN 7337
14		2	NOTE COMMENT WASHER D.6 UNI 6592 DIN 433
1F	40000557	1	KIT BLOWING TUBE
FA	Z5 60067	1	KIT ABSOLUTE FILTER M.3507 FE

Absolute filter on suction part (Model 3507)

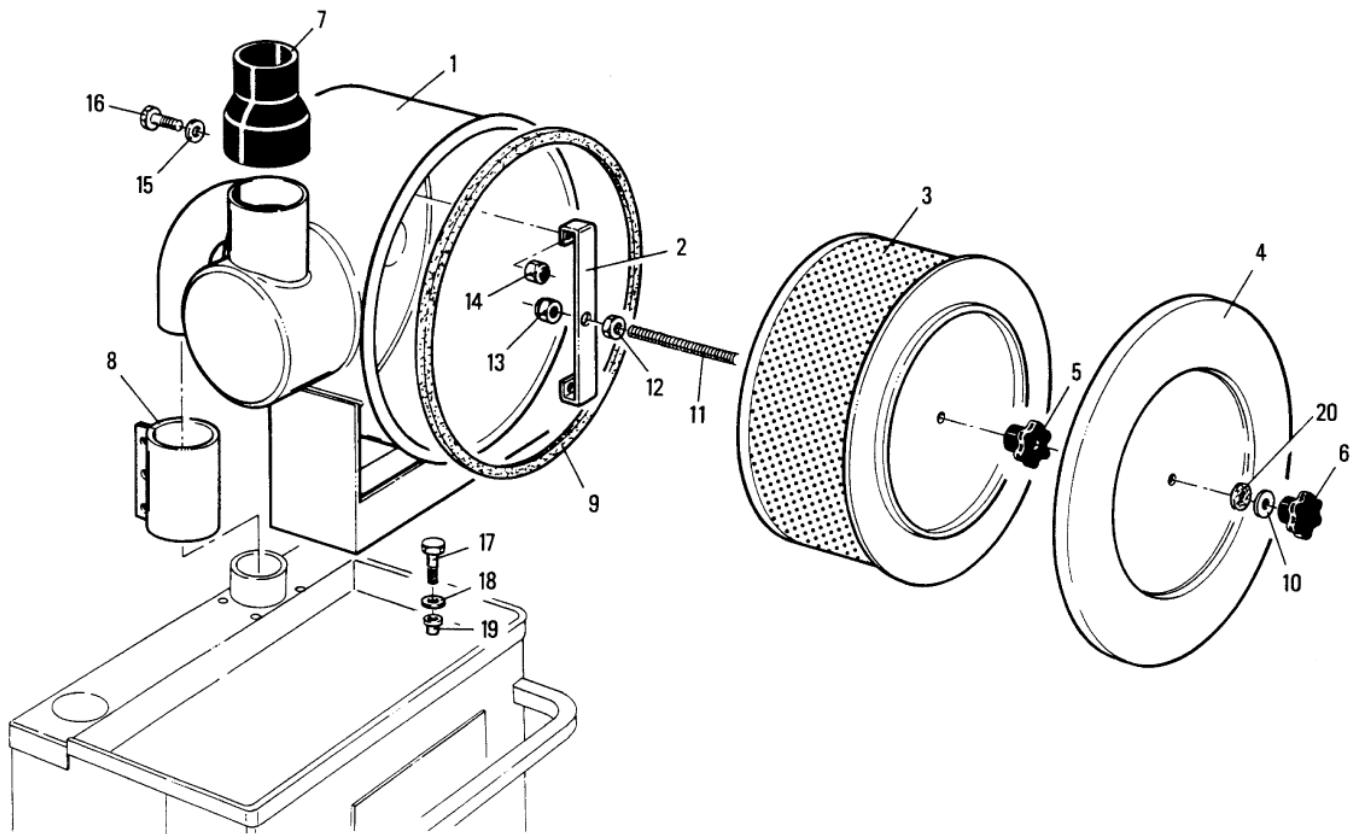
3507W

21-02-2015

Part List ID

350715

17



Absolute filter on suction part (Model 3507)

3507W

21-02-2015

Part List ID

3507/15

18

Pos	Part no.	Qty	Description
1	Z8 30133	1	CONTAINER D460x250 FE A.F. 3307-3507 H
2	Z8 18363	1	BRACKET ABS.FILTER 3307
3	Z8 17050	1	ABSOLUTE FILTER D400 x 200 H14
4	Z8 12145	1	CAP D460 FE x CONT. A.F.
5	Z8 40030	1	KNOB D60 M10 THROUGH x FIXED SUCKER
6	Z8 40030	1	KNOB D60 M10 THROUGH x FIXED SUCKER
7	Z8 13106	1	MUFFLER COVER D100/70 FE
8	Z57 83017	1	JUNCTION SLEEVE D70 ZINC
9	40000769	1	SEAL
10		1	NOTE COMMENT WASHER D.10x30 UNI 6593 DIN 9021
11		1	NOTE COMMENT DRAWBENCH M10x0,3 DIN 975
12		1	NOTE COMMENT NUT M10 UNI 5588 DIN 934
13		1	NOTE COMMENT NUT M10 UNI 7474 DIN 985
14		2	NOTE COMMENT NUT M6 UNI 7474 DIN 985
15		2	NOTE COMMENT WASHER D.6 UNI 6592 DIN 433
16		2	NOTE COMMENT SCREW M6x20 UNI 5739 DIN 933
17		4	NOTE COMMENT SCREW M6x20 UNI 5739 DIN 933
18		4	NOTE COMMENT WASHER D.6 UNI 6592 DIN 433
19	Z8 38036	4	THREADED INSERT M6
20	Z8 40204	1	ADHESIVE FELT X HEAD