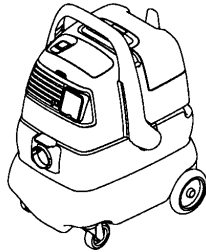
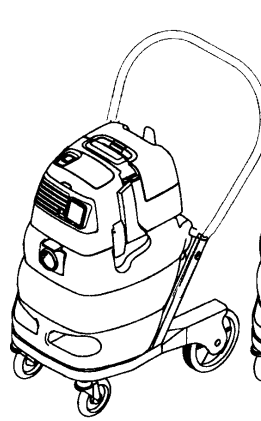


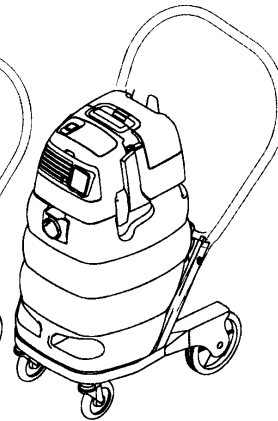
WD 215



WD 225



WD 245
Sprite 12

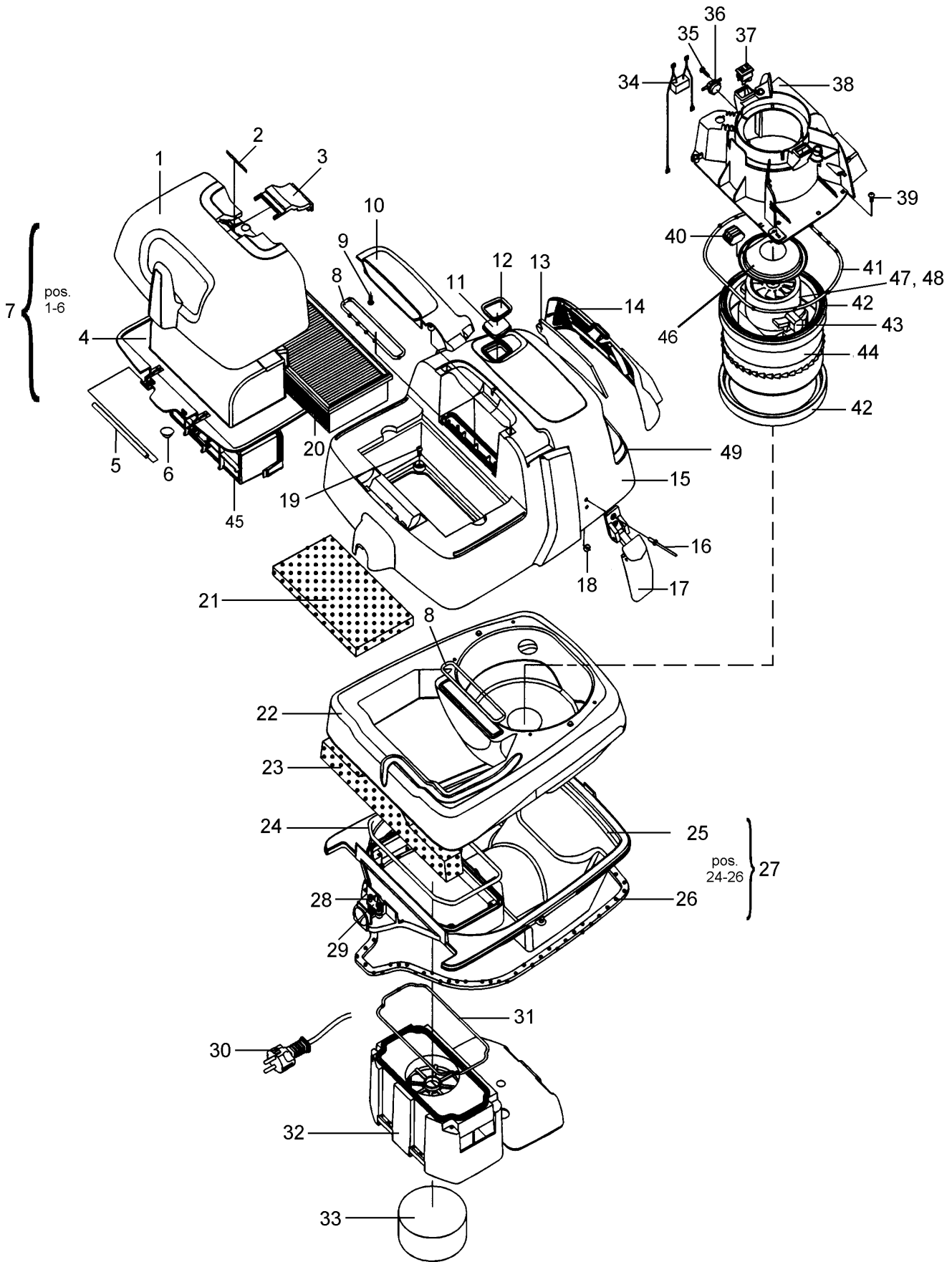


WD 260
Sprite 16

DESCRIPTION

PLAN

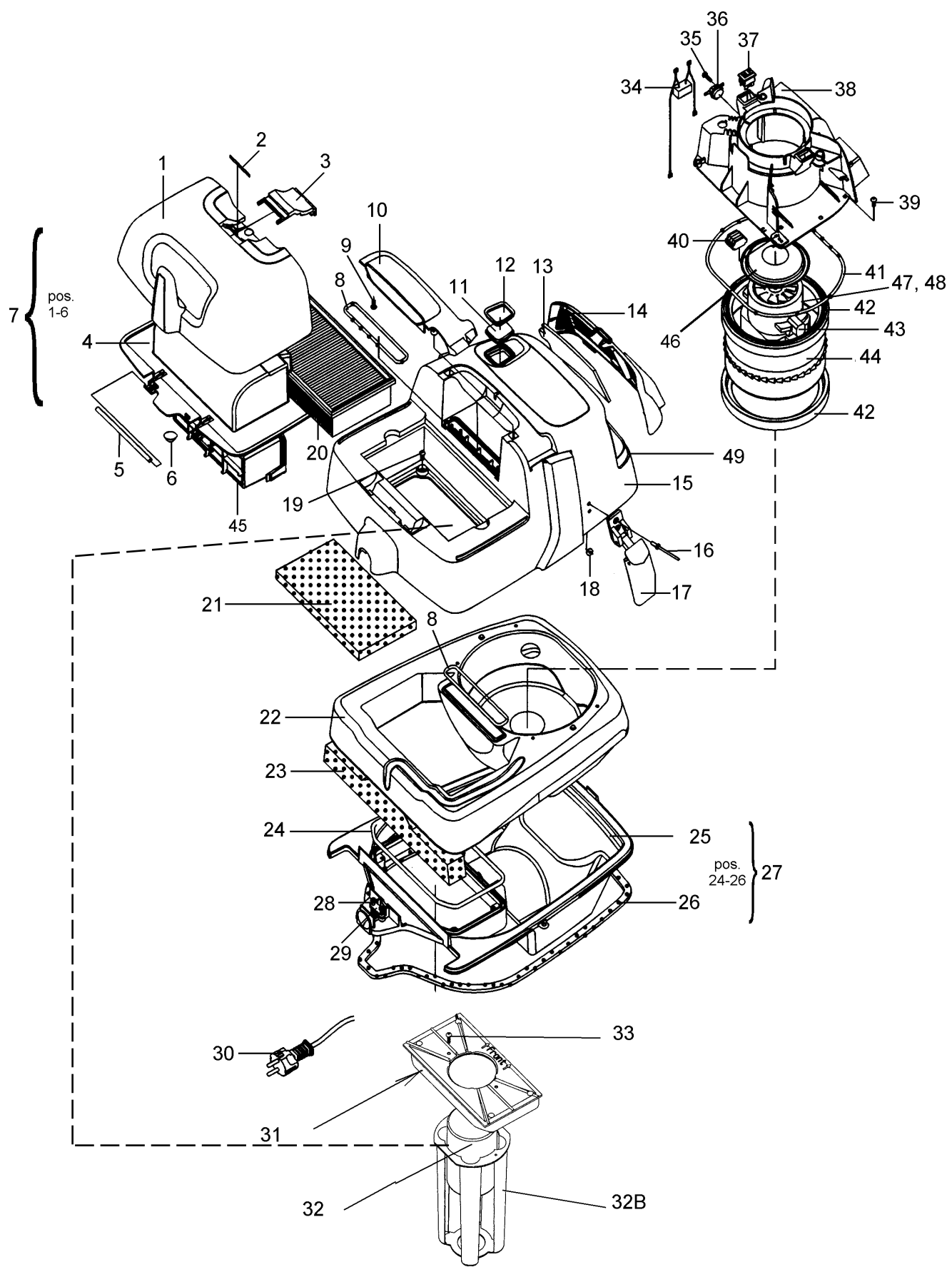
Motor top, line drawing	B - 5.3.1 - 2
Motor top, part numbers	B - 5.3.1 - 3
Motor top, larger float system, all models	B - 5.3.1 - 4
Motor top, larger float system, part numbers, all models	B - 5.3.1 - 5
Tank WD 215, line drawing	B - 5.3.1 - 6
Tank WD 215, part numbers	B - 5.3.1 - 7
Tank WD 225, drawing	B - 5.3.1 - 8
Tank WD 225, part number	B - 5.3.1 - 9
Tank WD 245,260, drawing	B - 5.3.1 - 10
Tank WD 245,260 part number	B - 5.3.1 - 11
Tank, new handle, WD 245,260, Sprite 12, Sprite 16 drawing	B - 5.3.1 - 12
Tank, new handle WD 245,260, Sprite 12, Sprite 16 part no	B - 5.3.1 - 13
Hose, nozzle & tube, line drawing, all models	B - 5.3.1 - 14
Hose, nozzle & tube, part numbers, all models	B - 5.3.1 - 15
Front nozzle, line drawings WD 245, WD 260, Sprite 12, Sprite 16	B - 5.3.1 - 16
Front nozzle, part numbers WD 245, WD 260, Sprite 12, Sprite 16	B - 5.3.1 - 17
Front nozzle, WD 245, WD 260 line drawings	B - 5.3.1 - 18
Front nozzle, WD 245, WD 260 part numbers	B - 5.3.1 - 19



02-10	PART NUMBER	BOOK B		
03-12	MOTOR TOP, WD 200-SERIES	B	5.3.1	3

No.	Qty.	Part No.	Description
1	1	140 7236 000	Filter lid, blue
1	1	140 7236 030	Filter lid, grey
2	1	140 7250 000	Spring
3	1	140 7234 000	Lock arm, blue
3	1	140 7234 030	Lock arm, grey
4	1	140 7235 000	Filter holder, blue
4	1	140 7235 030	Filter holder, grey
5	1	140 6936 000	Shaft
6	1	140 7372 000	Rubber foot
7	1	140 7219 000	Blue filter lid cpl. pos.1-6
7	1	140 7219 030	Grey filter lid cpl. pos 1-6
8	2	140 7249 000	Sealing ring
9	2	140 9214 070	Screw
10	1	140 7221 000	Handle, blue
10	1	140 7221 030	Handle, grey
11	1	140 7222 040	Protection hood
12	1	140 7223 000	Locking ring
13	1	140 7231 000	Exhaust filter
14	1	140 7232 000	Filter holder, blue
14	1	140 7232 010	Filter holder, blue UL approved
14	1	140 7232 050	Filter holder, grey UL approved
15	1	140 7214 060	Cover, blue, WD 245, 260, Euroclean logo screen printed
15	1	140 7214 090	Cover, blue, WD 215,225, Eurocelan logo screen printed
15	1	140 7214 070	Cover, blue UL -material, KENT 245/260 logo screen printed
15	1	140 7214 030	Cover, blue UL-material, KENT 215/225 logo screen printed
15	1	140 7214 080	Cover, blue UL-material, WD 260 Euroclean logo screen printed
15	1	140 7214 110	Cover, blue UL-material, WD 215 Euroclean logo screen printed
15	1	140 7214 140	Cover, grey Nilfisk 215, 225
15	1	140 7214 150	Cover, grey Nilfisk 245/260
15	1	140 7214 160	Cover, grey UL material, Sprite 12,16
15	1	140 7994 000	Cover with latches, blue Euroclean
15	1	140 7994 010	Cover with latches, blue UL Kent
15	1	140 7994 020	Cover with latches, blue UL Euroclean
15	1	140 7994 030	Cover with latches, grey no logo
15	1	140 7994 040	Cover with latches, grey UL no logo
16	4	140 5694 050	Rivet, only for WD 245/60, Sprite 12,16, KENT 12,16
17	2	140 7608 000	Latch, only for WD 245/60, Sprite 12,16, KENT 12,16
18	4	734 4852 010	Washer
19	4	140 9214 150	Screw
20	1	140 7215 000	Filter
21	1	140 7258 000	Pre-filter
22	1	140 7212 000	Motor box
23	1	140 7253 000	Diffusor
24	1	140 7302 010	Sealing ring
25	1	140 7211 000	Middle part
26	1	140 0061 030	Gasket
27	1	140 7248 000	Middle part cpl. pos.24-26
28	2	140 9214 040	Screw
29	1	056 1014 060	Anti strain clip
29	1	140 6560 000	Anti strain clip, UL-approved
30	1	>> 140 6423 500	Cord set, EU plug, double insulated
30	1	>> 140 6423 520	Cord set, CH plug, double insulated
30	1	>> 140 6423 530	Cord set, UK plug, double insulated
30	1	140 6676 020	Cord set, AU plug, double insulated
30	1	>> 140 6423 570	Cord set, JP plug, double insulated
30	1	140 3859 080	Cord set, US/Can plug, grounded
30	1	>> 140 6423 550	Cord set, TW plug, double insulated
31	1	140 7249 010	Sealing ring
32	1	140 7611 000	Float basket
33	1	140 8231 000	Float body
34	1	140 7620 000	Suppressor
35	1	140 6843 000	Screw Torx RTS ST
36	1	140 7058 000	Thermal protection
37	1	>> 140 8096 500	Switch, f. machines w. serial number from 03 50 00001 (UL) 0252 00001(Other)
37	1	140 8475 000	Switch, f. machines w. serial number before 03 50 00001 (UL) 0252 00001(Other)
38	1	140 7213 000	Cover
39	4	140 9214 070	Screw
40	1	P 140 7244 000	Connector
41	1	140 7225 000	O-ring
42	2	140 6909 000	Sealing ring
43	1	140 7169 000	Carbon brush for 220-240V fan unit
43	1	140 7169 010	Carbon brush for 100-120V fan uni
44	1	140 7154 000	Fan unit, 220-240V
44	1	140 7154 010	Fan unit, 100V
44	1	140 7605 000	Fan unit, 110-120V
45	1	140 8324 010	Hepa-filter (Accessorie)
46	1	140 7209 000	Extract damping
47	1	735 2136 800	Toothed plate connector (Grounded US-versions only)
48	1	140 7300 030	Screw (Grounded US-versions only)
49	1	140 7771 000	Decal, Nilfisk WD-series
49	1	140 7828 000	Decal, Advance Sprite

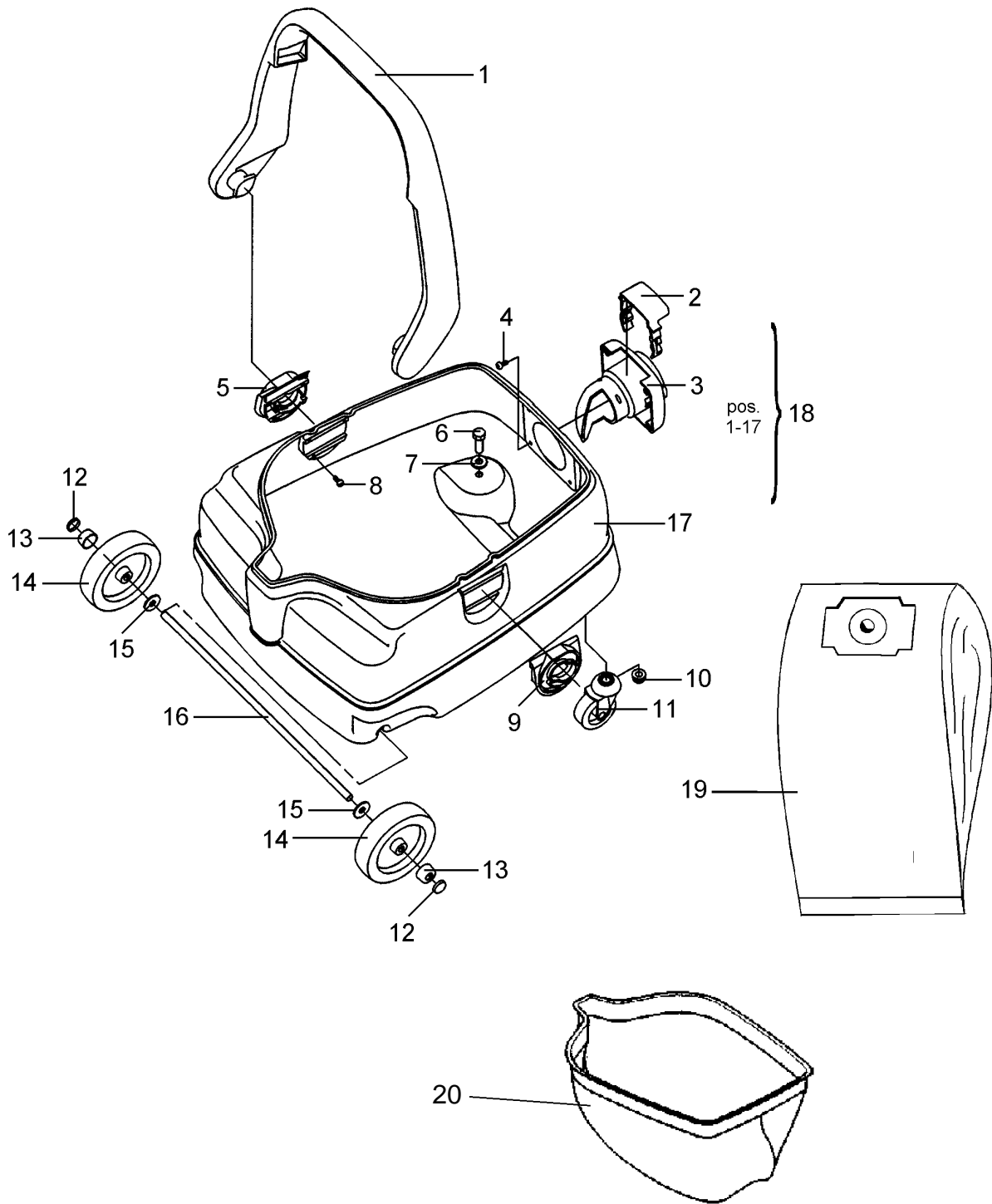
>> Means: New or changed ref. number or/and changed/new specifications.
P Means: Depleted when no longer on stock



02-10	PART NUMBER	BOOK B		
03-12	MOTOR TOP, LARGER FLOAT SYSTEM	B	5.3.1	5

No.	Qty.	Part No.	Description
1	1	140 7236 000	Filter lid, blue
1	1	140 7236 030	Filter lid, grey
2	1	140 7250 000	Spring
3	1	140 7234 000	Lock arm, blue
3	1	140 7234 030	Lock arm, grey
4	1	140 7235 000	Filter holder, blue
4	1	140 7235 030	Filter holder, grey
5	1	140 6936 000	Shaft
6	1	140 7372 000	Rubber foot
7	1	140 7219 000	Blue filter lid cpl. pos.1-6
7	1	140 7219 030	Grey filter lid cpl. pos 1-6
8	2	140 7249 000	Sealing ring
9	2	140 9214 070	Screw
10	1	140 7221 000	Handle, blue
10	1	140 7221 030	Handle, grey
11	1	140 7222 040	Protection hood
12	1	140 7223 000	Locking ring
13	1	140 7231 000	Exhaust filter
14	1	140 7232 000	Filter holder, blue
14	1	140 7232 010	Filter holder, blue UL approved
14	1	140 7232 050	Filter holder, grey UL approved
15	1	140 7214 060	Cover, blue, WD 245, 260, Euroclean logo screen printed
15	1	140 7214 090	Cover, blue, WD 215,225, Eurocelan logo screen printed
15	1	140 7214 070	Cover, blue UL -material, KENT 12,16 , logo screen printed
15	1	140 7214 030	Cover, blue UL-material, KENT 6, logo screen printed
15	1	140 7214 080	Cover, blue UL-material, WD 260 Euroclean logo screen printed
15	1	140 7214 110	Cover, blue UL-material, WD 215 Euroclean logo screen printed
15	1	140 7214 140	Cover, grey Nilfisk 215, 225
15	1	140 7214 150	Cover, grey Nilfisk 245/260
15	1	140 7214 160	Cover, grey UL material, Sprite 12,16
15	1	140 7994 000	Cover with latches, blue Euroclean
15	1	140 7994 010	Cover with latches, blue UL Kent
15	1	140 7994 020	Cover with latches, blue UL Euroclean
15	1	140 7994 030	Cover with latches, grey no logo
15	1	140 7994 040	Cover with latches, grey UL no logo
16	4	140 5694 050	Rivet, only for WD 245/60, Sprite 12,16, KENT 12,16
17	2	140 7608 000	Latch, only for WD 245/60, Sprite 12,16, KENT 12,16
18	4	734 4852 010	Washer
19	4	140 9214 010	Screw, Torx T20
20	1	140 7215 000	Filter
21	1	140 7258 010	Pre-filter
22	1	140 7212 000	Motor box
23	1	140 7253 000	Diffusor
24	1	140 7302 010	Sealing ring
25	1	140 7211 000	Middle part
26	1	140 0061 030	Gasket
27	1	140 7248 000	Middle part cpl. pos.24-26
28	2	140 9214 040	Screw
29	1	056 1014 060	Anti strain clip
29	1	140 6560 000	Anti strain clip, UL-approved
30	1	>> 140 6423 500	Cord set, EU plug, double insulated
30	1	>> 140 6423 520	Cord set, CH plug, double insulated
30	1	>> 140 6423 530	Cord set, UK plug, double insulated
30	1	140 6676 020	Cord set, AU plug, double insulated
30	1	>> 140 6423 570	Cord set, JP plug, double insulated
30	1	140 3859 080	Cord set, US/Can plug, grounded
30	1	>> 140 6423 550	Cord set, TW plug, double insulated
31	1	140 7631 000	Basket carrier
32	1	140 7948 000	Float body
32B	1	140 7944 000	Float basket
32B	1	140 7529 010	Float system cpl. kit .
33	2	140 9214 000	Screw Torx 40x14 stainless
34	1	140 7620 000	Suppressor
35	1	140 6843 000	Screw Torx RTS ST
36	1	140 7058 000	Thermal protection
37	1	>> 140 8096 500	Switch, f. machines w. serial number from 03 50 00001 (UL) 0252 00001(Other)
37	1	140 8475 000	Switch, f. machines w. serial number before 03 50 00001 (UL) 0252 00001(Other)
38	1	140 7213 000	Cover
39	4	140 9214 070	Screw
40	1	P 140 7244 000	Connector
41	1	140 7225 000	O-ring
42	2	140 6909 000	Sealing ring
43	1	140 7169 000	Carbon brush for 220-240V fan unit
43	1	140 7169 010	Carbon brush for 100-120V fan unit
44	1	140 7154 000	Fan unit, 220-240V
44	1	140 7154 010	Fan unit, 100V
44	1	140 7605 000	Fan unit, 110-120V
45	1	140 8324 010	Hepa-filter (Accessorie)
46	1	140 7209 000	Extract damping
47	1	735 2136 800	Toothed plate connector (Grounded US-versions only)
48	1	140 7300 030	Screw (Grounded US-versions only)
49	1	140 7771 000	Decal, Nilfisk WD-series
49	1	140 7828 000	Decal, Advance Sprite

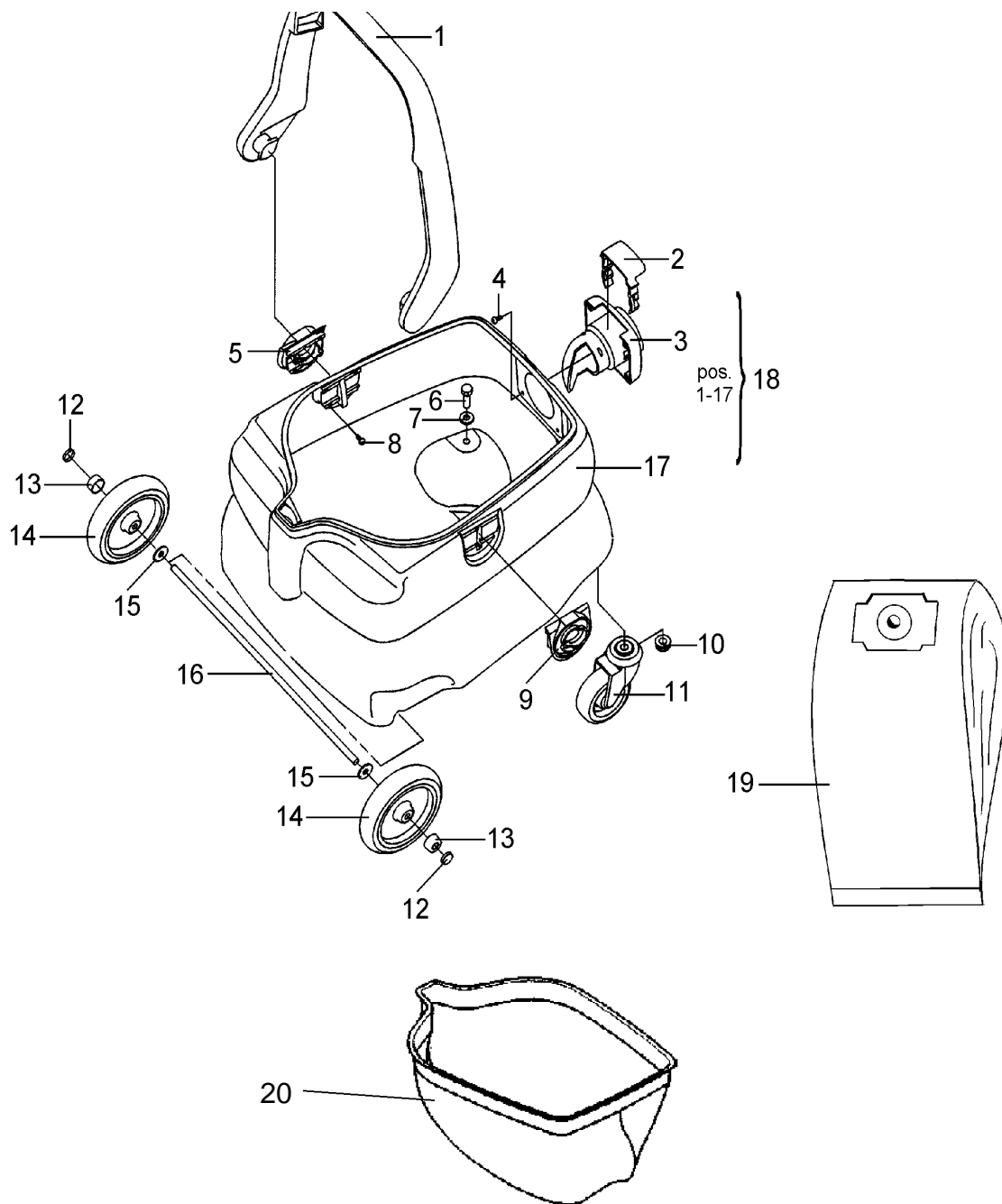
P means: Depleted when no longer on stock



05-06	PART NUMBER	BOOK B		
02-10	TANK, WD 215	B	5.3.1	7

No.	Qty.	Part No.	Description
1	1	140 7206 000	Handle
2	1	>> 140 7205 500	Trigger
3	1	140 7204 010	Inlet
4	4	140 9214 010	Screw
5	1	140 7207 010	Bracket, left
6	2	725 2370 400	Screw
7	2	140 7646 010	Washer
8	6	140 9214 000	Screw
9	1	140 7207 000	Bracket, right
10	2	140 7594 010	Nut
11	2	140 3916 000	Link wheel
12	2	140 5058 000	Lock washer
13	2	140 5057 000	Protection washer
14	2	140 5055 010	Wheel
15	2	734 1822 510	Washer
16	1	140 5059 010	Shaft
17	1	140 7201 000	Tank 15L
18	1	140 7200 000	Tank cpl. pos.1-17
19	3	140 7687 010	Dust bag 3 pcs.
20	1	140 7672 000	Bag filter cpl.

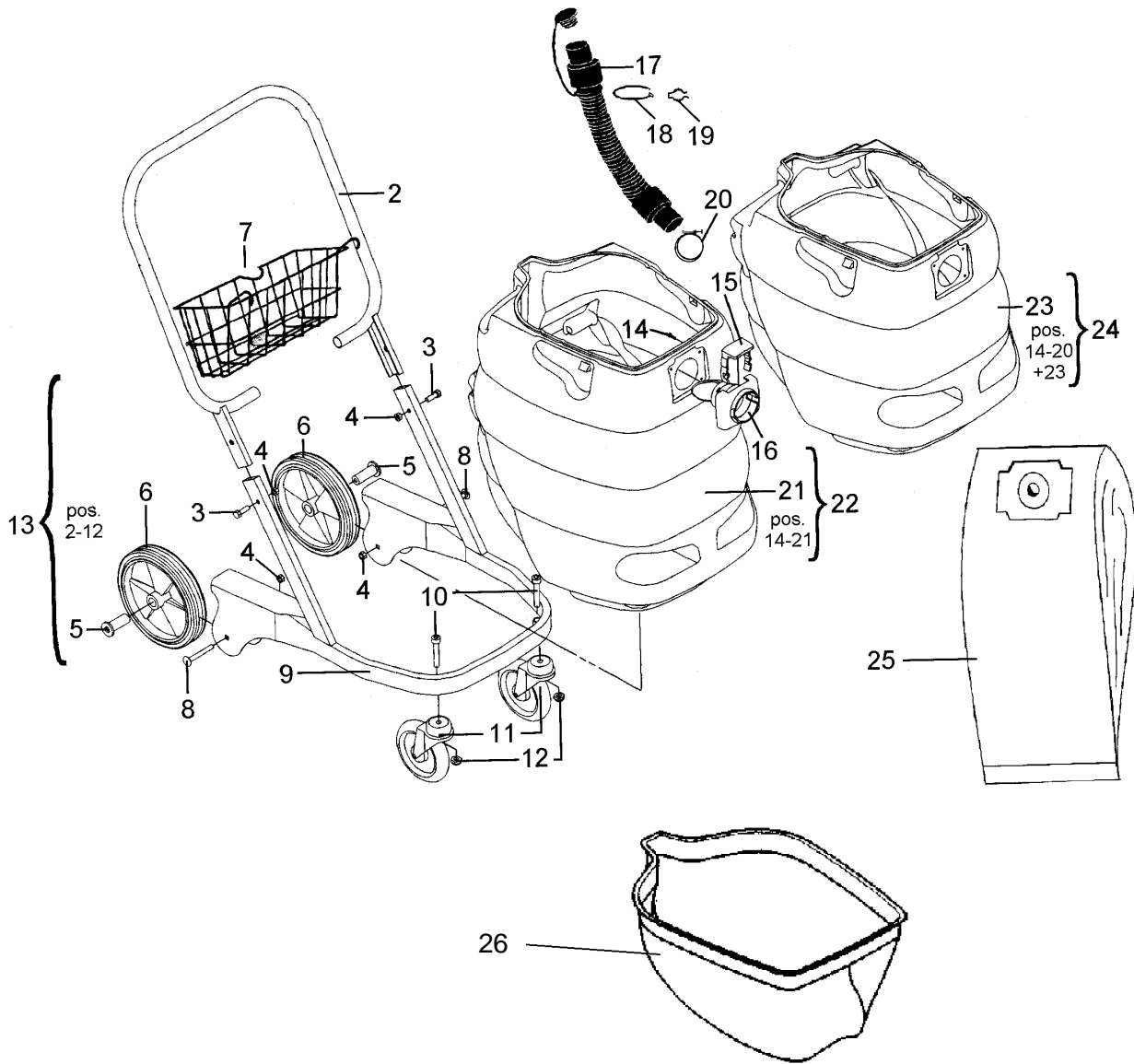
>>Means: New or changed ref. number or/and changed/new specifications.



05-06	PART NUMBER	BOOK B		
02-10	TANK WD 225	B	5.3.1	9

No.	Qty.	Part No.	Description
1	1	140 7206 000	Handle
2	1	>>140 7205 510	Trigger
3	1	140 7204 000	Inlet
4	4	140 9214 010	Screw
5	1	140 7207 010	Bracket, left
6	2	725 2453 400	Screw
7	2	140 7646 000	Washer
8	6	140 9214 000	Screw
9	1	140 7207 000	Bracket, right
10	2	140 7594 000	Nut
11	2	140 5476 020	Link wheel
12	2	140 5058 000	Lock washer
13	2	140 5057 000	Protection washer
14	2	140 7592 000	Wheel
15	2	734 1822 510	Washer
16	1	140 5059 020	Shaft
17	1	140 7203 000	Tank 25L
18	1	140 7202 000	Tank cpl. pos.1-17
19	3	140 7687 010	Dust bag 3 pcs.
20	1	140 7672 000	Bag filter cpl.

>>Means: New or changed ref. number or/and changed/new specifications.



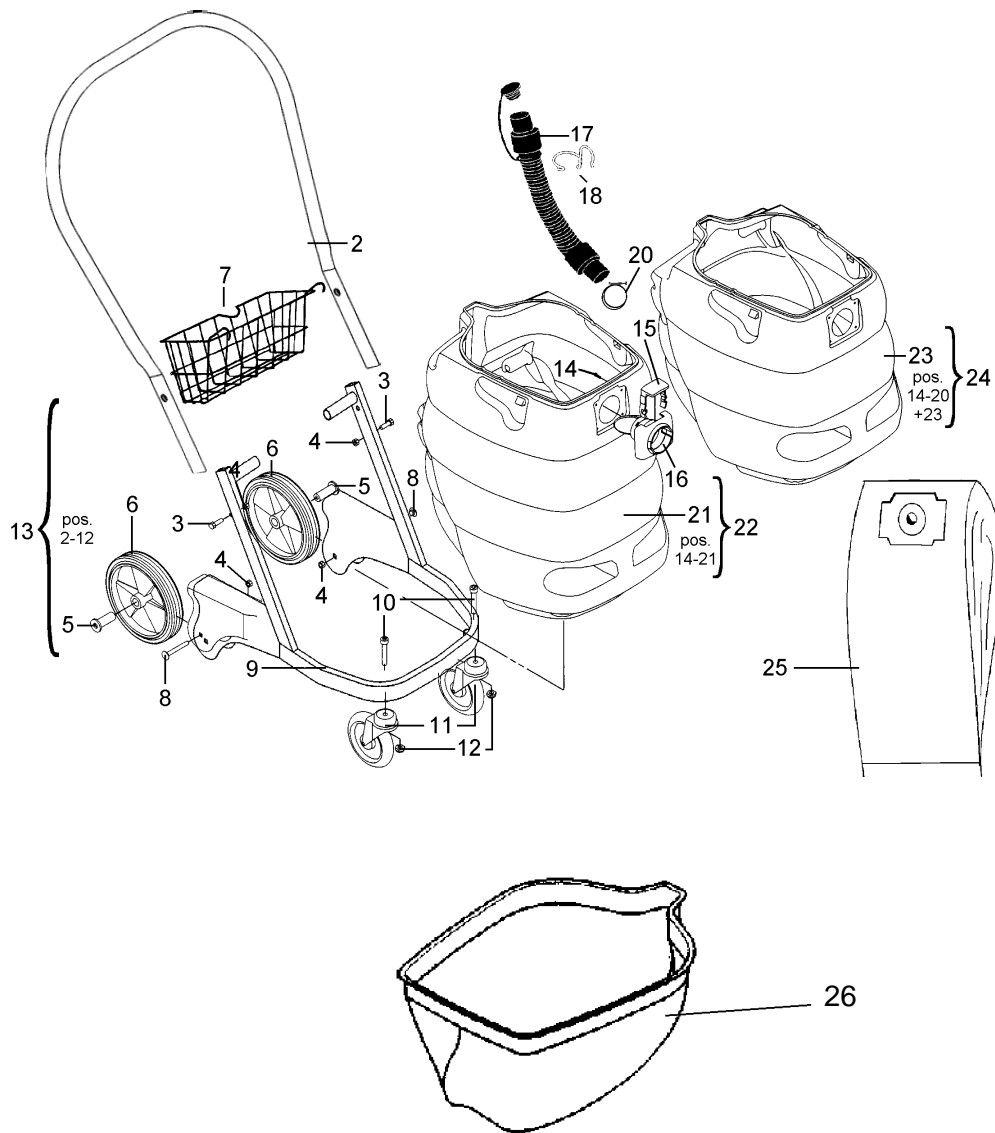
05-10	PART NUMBER	BOOK B		
05-06	OLD TYPE OF HANDLE, TANK WD 245, WD 260	B	5.3.1	11

No.	Qty.	Part No.	Description	Note
2	1	140 7619 000	Handle	
3	2	725 2448 510	Screw	
4	4	732 2118 010	Locking nut	
5	2	140 7622 000	Spacer	
6	2	140 8156 000	Wheel	
7	1	140 4807 010	Basket	
8	2	727 6464 010	Bolt	
9	1	140 7609 000	Bracket	
10	2	725 5502 010	Screw	
11	2	140 4664 000	Link wheel	
12	2	732 2120 010	Locking nut	
13	1	>> 140 7610 500	Trolley cpl. pos.2-12	
14	4	140 9214 010	Screw	
15	1	>>140 7205 510	Trigger	
16	1	140 7204 010	Inlet	
17	1	140 7604 010	Drain hose	
18	1	465 0225 040	Plastic strip	
19	1	140 7623 000	Hose holder	
20	1	140 7636 000	Hose clamp	
21	1	140 7603 000	Tank 60L	
22	1	140 7602 000	Tank 60L cpl. pos.14-21	
23	1	140 7601 000	Tank 45L	
24	1	140 7600 000	Tank 45L cpl. pos.14-20+23	
25	3	140 7633 010	Dust bag 3 pcs. WD 245/60, Sprite 12	
25	1	140 7695 000	Wet resistant dust bag 1 pcs. WD 245/260	
26	1	>>140 7672 000	Bag filter cpl.	

NOTE

P means: Depleted when no longer on stock

>>Means: New or changed ref. number or/and changed/new specifications.

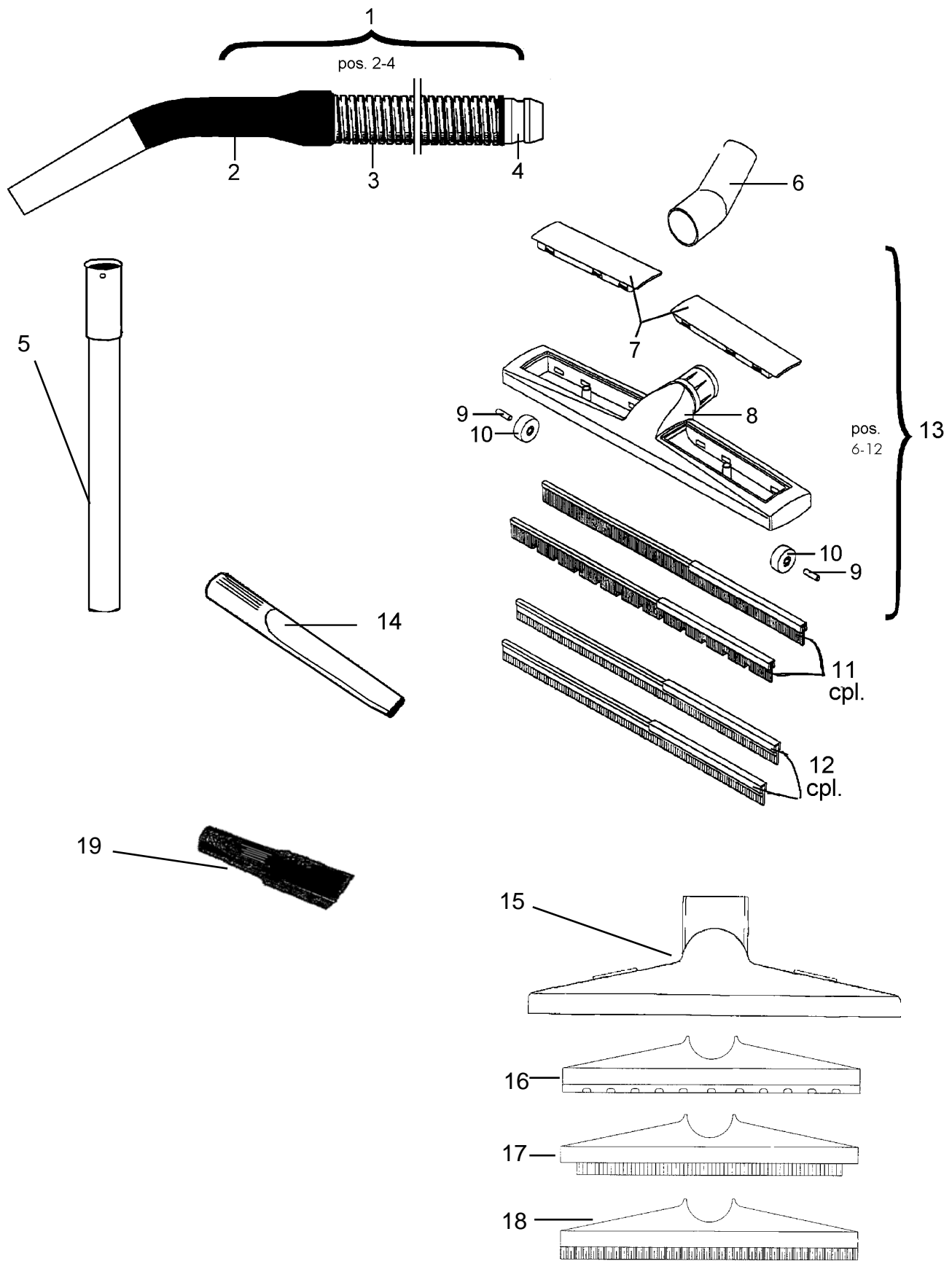


05-10	PART NUMBER	BOOK B		
05-06	NEW TYPE OF HANDLE, TANK WD 245, WD 260 / SPRITE 12,16	B	5.3.1	13

No.	Qty.	Part No.	Description
2	1	140 7648 000	Handle cpl.*
3	2	725 5447 010	Screw
4	4	732 2118 010	Locking nut
5	2	140 7622 000	Spacer
6	2	140 8156 000	Wheel
7	1	140 4807 010	Basket
8	2	727 6464 010	Bolt
9	1	140 7649 000	Carriage stand cpl.*
10	2	725 5503 010	Screw
11	2	140 4664 000	Link wheel
12	2	732 2120 010	Locking nut
13	1	>>140 7610 500	Trolley cpl. pos.2-12
14	4	140 9214 010	Screw
15	1	>>140 7205 510	Trigger
16	1	140 7204 010	Inlet
17	1	140 7604 010	Drain hose
18	1	140 7618 000	Hook*
20	1	140 7636 000	Hose clamp
21	1	140 7603 000	Tank 60L
22	1	140 7602 000	Tank 60L cpl. pos.14-21
23	1	140 7601 000	Tank 45L
24	1	140 7600 000	Tank 45L cpl. pos.14-20+23
25	3	140 7633 010	Dust bag 3 pc. WD 245/60
25	1	140 7695 000	Wet resistant dust bag 1 pcs. WD 245/260
26	1	>> 140 7672 000	Bag filter cpl.

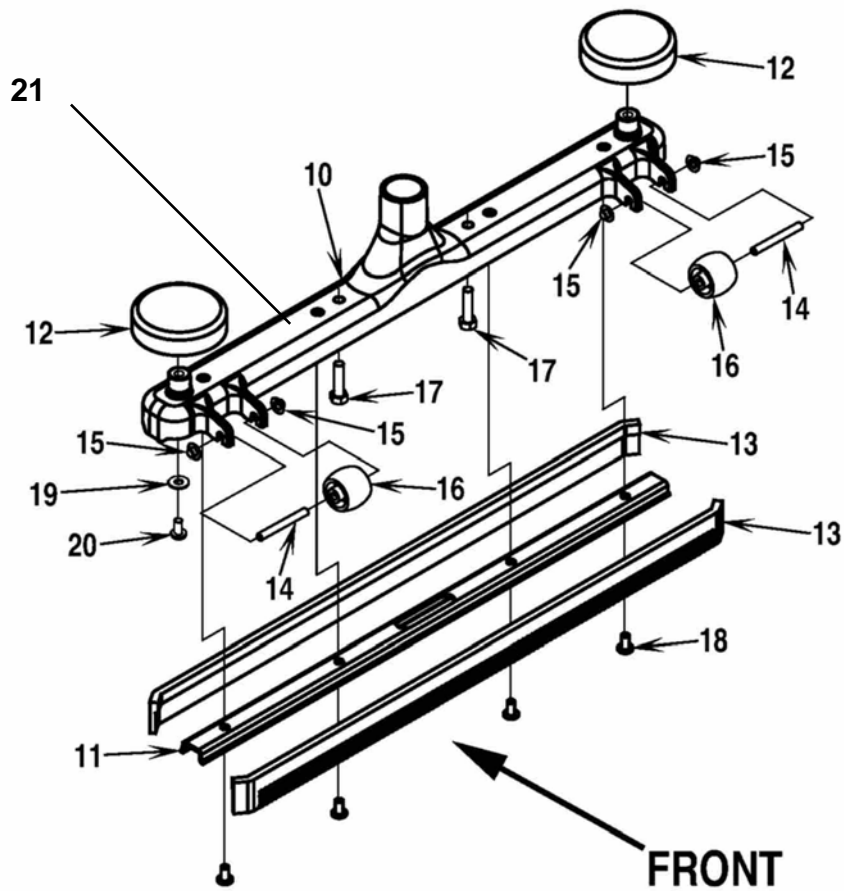
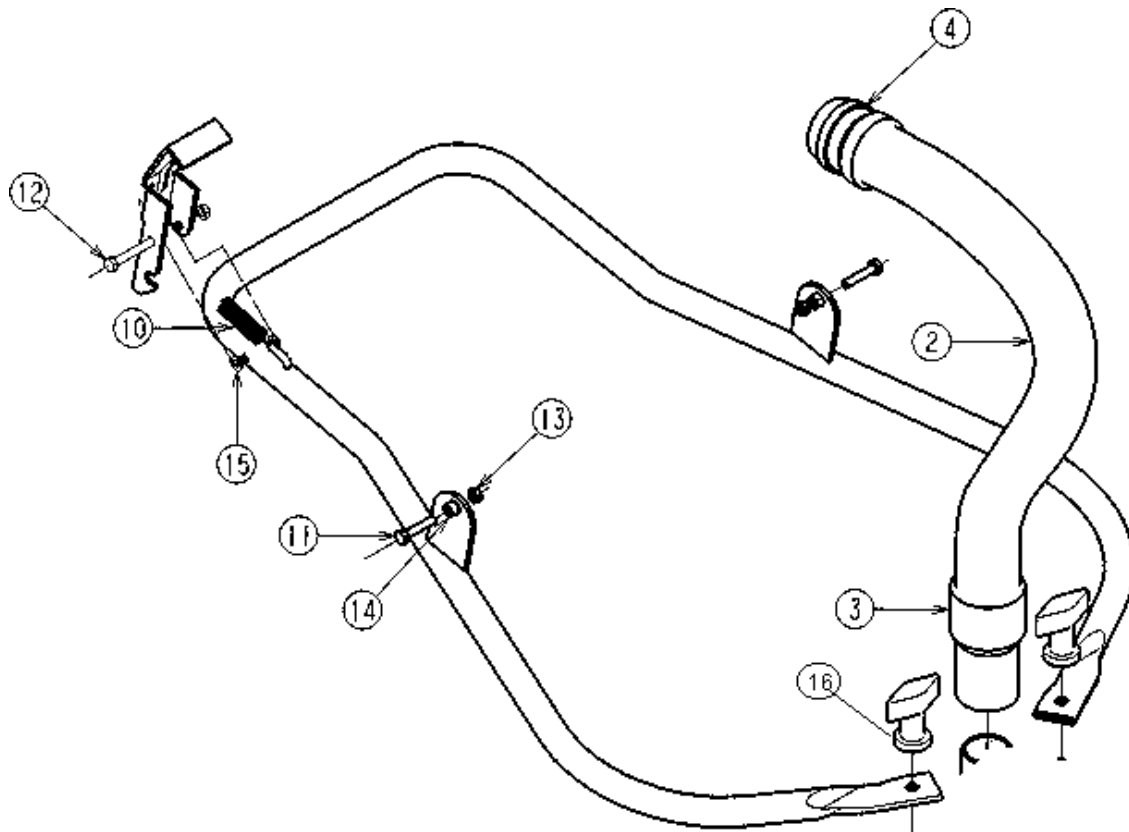
The new handle 140 7648 000,
and base part of the trolley 140 7649 000
is delivered as standard from
serial number 99350000.

>>Means: New or changed ref. number or/and changed/new specifications.



01-08	PART NUMBER	BOOK B		
02-08	HOSE, NOZZLE & TUBES, WD 200-SERIES, SPRITE 12,16	B	5.3.1	15

No.	Qty.	Part No.	Description
1	1	140 4001 010	Hose, complete WD 200-series
	1	140 6588 030	Hose, 2,5 m complete with cuff, Sprite
2	1	140 5132 000	Hose handle complete
3	1	140 2148 060	Hose only 2,5m
4	1	140 3304 030	Inlet
5	2	011 6451 010	Extension tube
6	1	145 0772 000	Swivel elbow
7	2	145 0773 000	Cover
8	1	145 0774 000	Base unit
9	2	140 8744 000	Shaft
10	2	140 8743 000	Roll, wheel
11	1	145 1011 000	Brush strip, kit rear and back
12	1	145 1012 000	Rubber strip, kit rear and back
13	1	140 7629 000	Wet nozzle cpl. pos.6-12
13	1	140 7629 010	Brush nozzle cpl.pos.6-11
14	1	140 3710 000	Crevice nozzle, aluminium
14	1	010 8738 020	Crevice nozzle, plastic
15	1	140 8248 040	Universal nozzle, complete with inserts
16	1	140 8248 010	Carpet insert
17	1	140 8248 020	Rubber insert
18	1	140 8248 030	Brush insert
19	1	140 8258 000	Crevice nozzle, plastic



BRACKET

No.	Qty.	Part No.	Description
2	1	140 2148 070	Hose 1 1/2" 700 mm, 27,5 in for WD 260/Sprite 16
	1	140 2148 080	Hose 1 1/2" 500 mm, 19,6 in for WD 245/sprite 12
3	1	140 2291 000	Hose frame
4	1	140 3304 030	Hose sleeve
10	1	140 7854 000	Spring 1.5x10x60 RF
11	2	725 2376 510	Screw 1.4 in M6x35 FZ
12	1	725 2379 510	Screw 1.7 in M6x45 FZ
13	3	140 7594 010	Collar nut M6
14	2	140 7894 000	Distance tube
15	2	734 1153 010	Washer 6.4x12 FZ
16	2	140 7947 000	Nut, thumb

140 5352 020 Hose cpl. 1 1/2" 700 mm/27,5 in for Sprite 16 /WD 260

140 5352 030 Hose cpl. 1 1/2" 500 mm, 19,6 in for Sprite 12/WD 245

140 7852 000 Frame cpl.

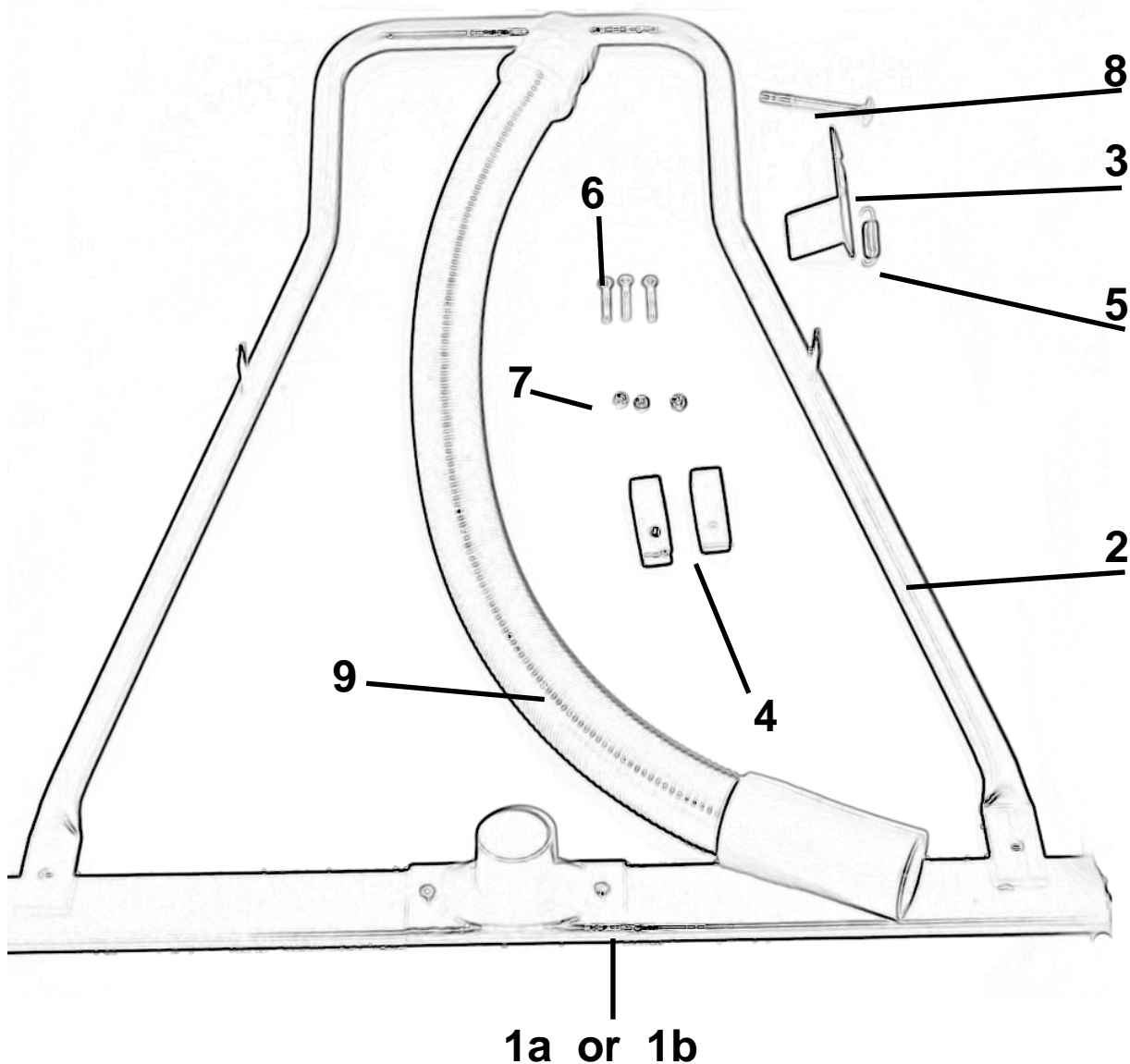
140 7858 000 Pedal cpl.

FRONT NOZZLE

No.	Qty.	Prod.nr.	Description
10	1	56209155	Housing 24" 60 cm
11	1	56209130	Retainer 24" 60 cm
12	2	56209157	Bumper, side roller
13	2	56105533	Blade 24" 60 cm
14	2	56209150	Axle
15	4	56009132	Nut Push cap 1/4
16	2	56329554	Roller
17	2	56002884	Screw, Hex Hd SS 5/16" (8 mm) -18x1.25
18	4	56003119	Screw, Pan Phil SS 1/4"- (6 mm) 20x38
19	2	56009205	Washer Flt SS # 10
20	2	56009226	Screw, Pan Phil Type 25 SS 10-16x38
21	1	56209088	Squeegee cpl. item 10-20

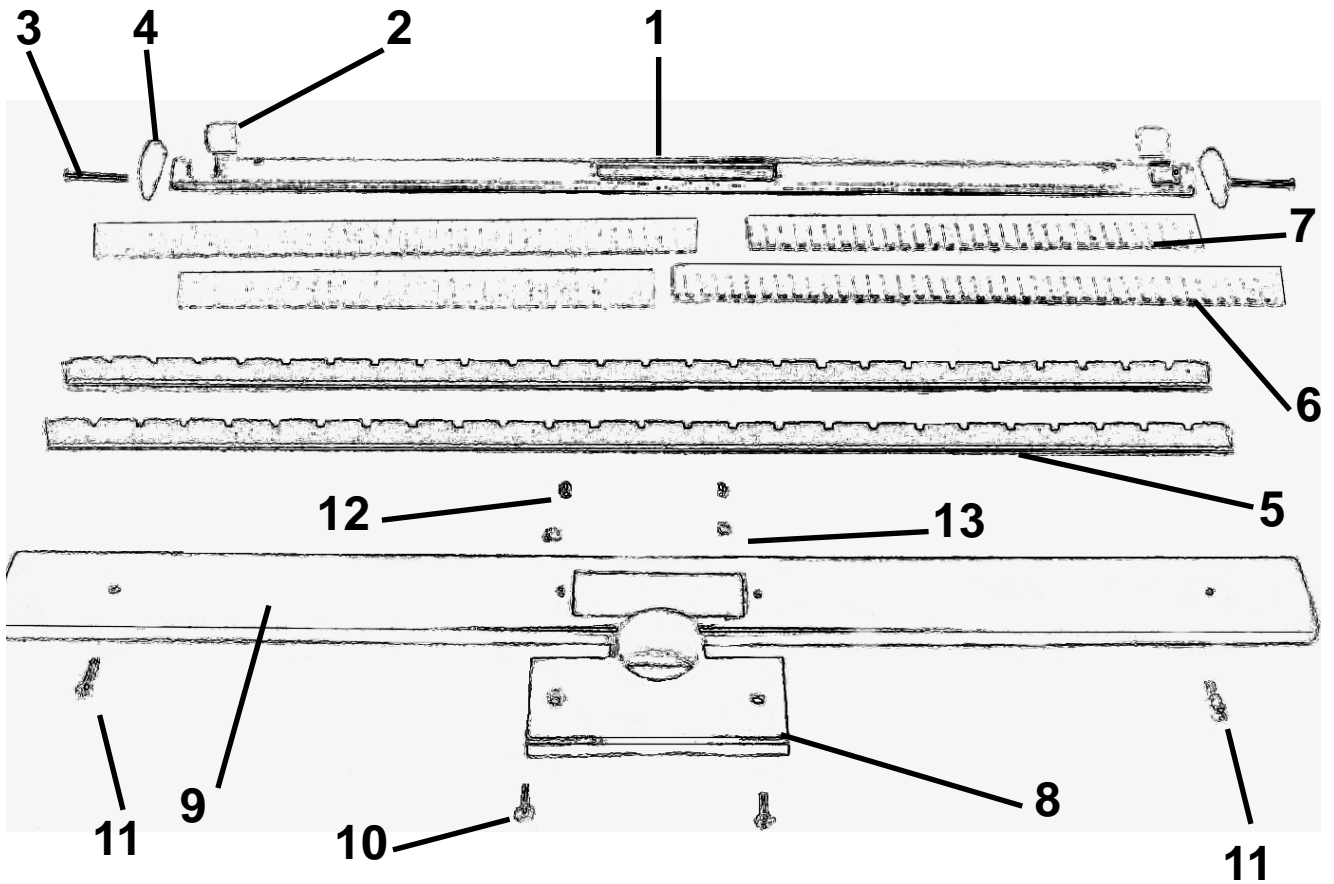
140 7850 010 Front nozzle kit complete

Nozzle and Bracket complete delivered in a package.



No	QTY	Part No.	Description/Benämning
1a	1	140 0146-010	Front nozzle, brush cpl.
1b	1	140 0145-010	Front nozzle, wet
2	1	140 7639-000	Bracket cpl.
3	1	140 7640-000	Pedal
4	2	140 7641-000	Clamp
5	1	140 7644-000	Spring
6	3	725 2374-400	Screw M6x30
7	3	732 2116-400	Lucking nuts M6
8	1	727 6467-010	Screw M8x80
9	1	140 5352-010	Hose cpl.

03-11	PART NUMBER	BOOK B		
01-08	FRONT NOZZLE - WD 245, WD 260	B	5.3.1	19



No	QTY	Part No.	Description/Benämning
1	1	140 0020-010	Lower part, nozzle
2	2	140 0021-000	Wheel
3	2	140 0023-000	Screw
4	2	140 0055-000	Gable-end
5	2	140 0056-020	Brush strip 693 mm
6	2	140 0148-000	Rubber strip 394 mm
7	2	140 0148-010	Rubber strip 300 mm,
8	1	140 0092-010	Hose inlet 38 mm,
9	1	140 0382-040	Upper part
10	2	724 1329-400	Screw 5x16
11	2	724 1332-400	Screw 5x22
12	2	731 2314-400	Nut M6M
13	2	735 2146-720	Locking washer 5,3 RF