

# SCRUBTEC 653B - 653BL - 651BCL - 661BL

Model:  
SCRUBTEC 651  
SCRUBTEC 661



Stückliste Deutsch

30-09-2014

**Nilfisk**  
**ALTO**  
works for you

[www.nilfisk-alto.com](http://www.nilfisk-alto.com)

# Inhalt

SCRUBTEC 653B - 653BL - 651BCL - 661BL

|   |           |
|---|-----------|
| <b>Ansicht allgemein</b>                                  | <b>3</b>  |
| <b>Frischwassertank</b>                                   | <b>5</b>  |
| <b>SCHMUTZWASSERTANK</b>                                  | <b>7</b>  |
| <b>Chassis-System</b>                                     | <b>9</b>  |
| <b>Wheels with - without traction</b>                     | <b>11</b> |
| <b>Handle assembly with - without traction</b>            | <b>13</b> |
| <b>FRISCHWASSERSYSTEM</b>                                 | <b>15</b> |
| <b>Squeegee system 653B-653BL-651BCL</b>                  | <b>17</b> |
| <b>Squeegee system 661BL</b>                              | <b>19</b> |
| <b>Brush system 653B</b>                                  | <b>21</b> |
| <b>Brush system 653BL</b>                                 | <b>23</b> |
| <b>Brush system 651BCL</b>                                | <b>25</b> |
| <b>Brush system 661BL after SN. 082116498</b>             | <b>27</b> |
| <b>Zubehör</b>  | <b>29</b> |
| <b>Accessories Extra pressure - Splash guard kits</b>     | <b>31</b> |
| <b>Control panel system</b>                               | <b>33</b> |
| <b>Electrical components 653B</b>                         | <b>35</b> |
| <b>Electrical components 653BL-651BCL-661BL</b>           | <b>37</b> |
| <b>Accessory: Battery charger</b>                         | <b>39</b> |
| <b>Accessories chemical mixing system 653BL-653BL-651</b> | <b>41</b> |
| <b>EMPFOHLENE ERSATZTEILE</b>                             | <b>43</b> |
| <b>Accessories list</b>                                   | <b>46</b> |

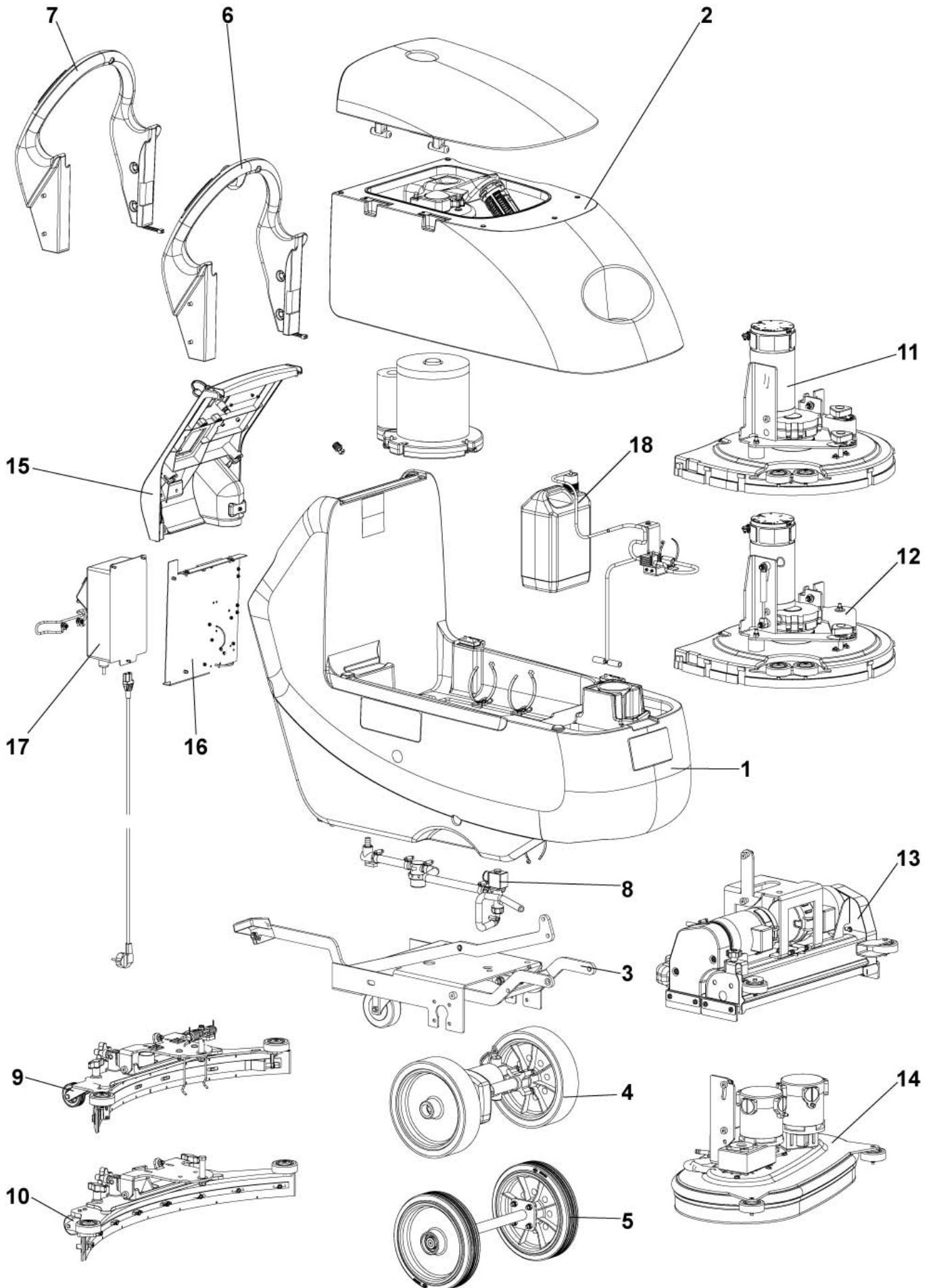
# Ansicht allgemein

SCRUBTEC 653B - 653BL - 651BCL - 661BL

30-09-2014

ET-Liste-Nr.  
SCRUBTEC653B01

3



# Ansicht allgemein

SCRUBTEC 653B - 653BL - 651BCL - 661BL

30-09-2014

ET-Liste-Nr.  
SCRUB1EC653B01

4

| Pos | Artikelnr. | Me | Beschreibung                                    |
|-----|------------|----|---|
| 1   |            | 1  | USE LINK SOLUTION TANK                          |
| 2   |            | 1  | USE LINK RECOVERY TANK                          |
| 3   |            | 1  | USE LINK CHASSIS SYSTEM                         |
| 4   |            | 1  | USE LINK WHEELS AND TRACTION 653BL-651BCL-661BL |
| 5   |            | 1  | USE LINK WHEELS SYSTEM 653B                     |
| 6   |            | 1  | USE LINK HANDLE ASSEMBLY 653BL-651BCL-661BL     |
| 7   |            | 1  | USE LINK HANDLE ASSEMBLY 652B                   |
| 8   |            | 1  | USE LINK SOLUTION SYSTEM                        |
| 9   |            | 1  | USE LINK SQUEEGEE SYSTEM 653B-653BL-651BCL      |
| 10  |            | 1  | USE LINK SQUEEGEE SYSTEM 661BL                  |
| 11  |            | 1  | USE LINK BRUSH SYSTEM 653B                      |
| 12  |            | 1  | USE LINK BRUSH SYSTEM 653BL                     |
| 13  |            | 1  | USE LINK CYL. BRUSH SYSTEM 651BCL               |
| 14  |            | 1  | USE LINK BRUSH SYSTEM 661BL                     |
| 15  |            | 1  | USE LINK CONTROL PANEL SYSTEM                   |
| 16  |            | 1  | USE LINK ELECTRICAL COMPONENTS                  |
| 17  |            | 1  | USE LINK BATTERY CHARGER                        |
| 18  |            | 1  | USE LINK CHEMICAL MIXING SYSTEM                 |



# Frischwassertank

SCRUBTEC 653B - 653BL - 651BCL - 661BL

30-09-2014

ET-Liste-Nr.  
SCRUBTEC653B02

6

| Pos | Artikelnr.   | Me | Beschreibung                                   |
|-----|--------------|----|--|
| 0   | 9098033000   | 1  | GASKET HANDLE BAR                              |
| 1   | 9098265000   | 1  | HARDWARE SOLUTION TANK KIT                     |
| 2   | 145 8479 000 | 1  | Gelenkkopf M6                                  |
| 3   | 909 6493 000 | 1  | Stütze f. Pedal                                |
| 4   | 9098070000   | 1  | Aufkleber<br>BRAND ALTO                        |
| 4   | 9098091000   | 1  | DECALS SCRUB.651-653-661<br>BRAND Nilfisk-ALTO |
| 5   | 909 6596 000 | 1  | Dichtring                                      |
| 6   | 909 6597 000 | 1  | Dichtring                                      |
| 7   | 909 6892 000 | 2  | Dichtring L960                                 |
| 8   | 9097630000   | 1  | Hebel Saugfussanhebungzu BA 451                |
| 9   | 909 6874 000 | 1  | CABLE TANK KIT                                 |
| 10  | 909 6649 000 | 1  | Klammer  |
| 12  | 9098675000   | 1  | CABLE SQUEEGEE KIT                             |
| 13  | 909 6673 000 | 1  | Kappe, schwarz                                 |
| 15  | 909 6521 000 | 1  | Frischwasserschlauch                           |
| 19  | 1464116000   | 1  | Handgriff                                      |
| 20  | L08812457    | 2  | CAP,TANK LOCKING                               |
| 37  | 909 6236 000 | 1  | Abdeckung, schwarz                             |
| 38  | 9097012000   | 1  | TANK SOLUTION 55 LT BLUE blau                  |
| 44  | 909 6554 000 | 1  | Deckel mit Kette                               |
| 48  | 9097192000   | 1  | Wasserfilter                                   |
| 49  | 9098329000   | 1  | Schanier Kit                                   |

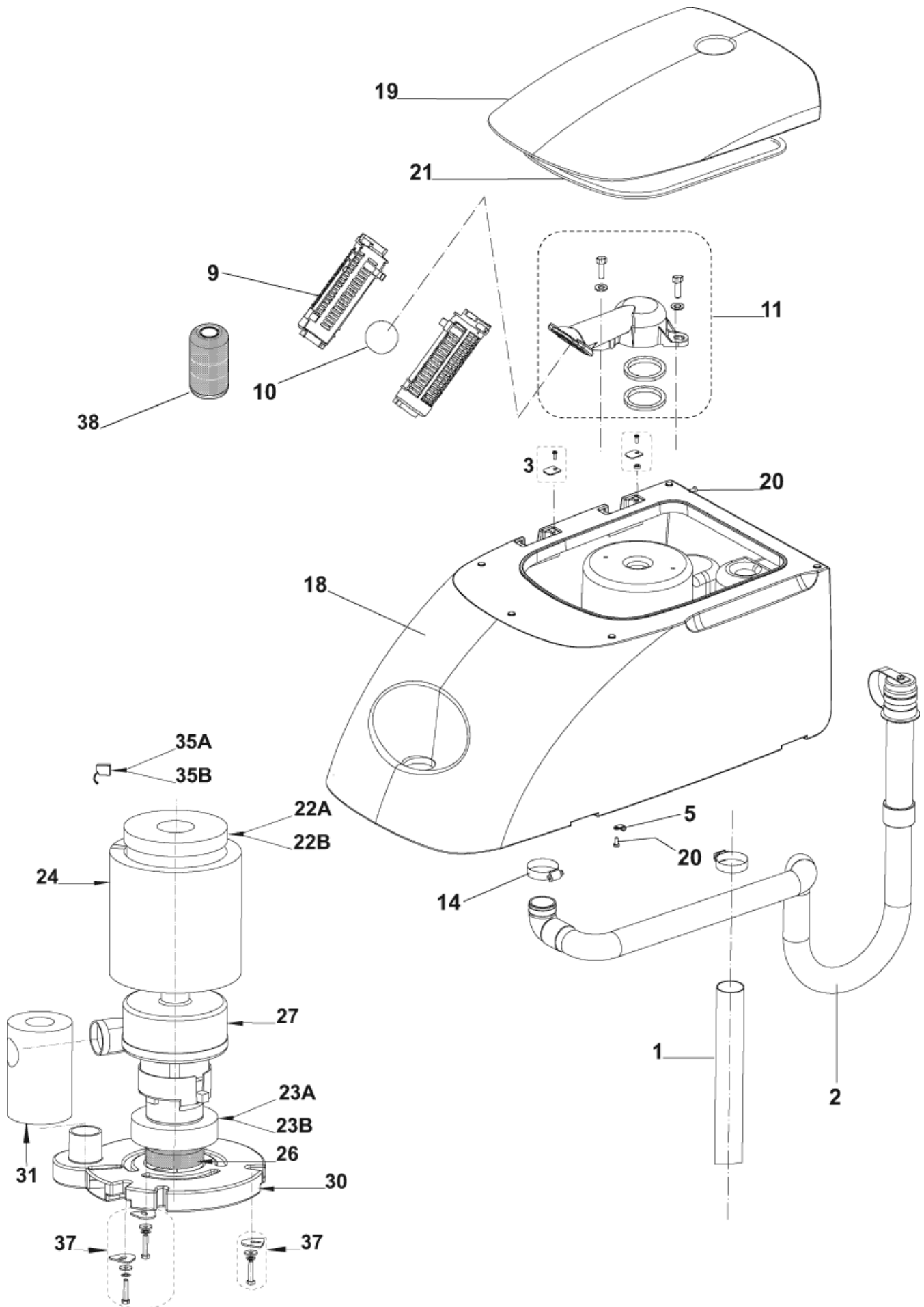
# SCHMUTZWASSERTANK

SCRUBTEC 653B - 653BL - 651BCL - 661BL

30-09-2014

ET-Liste-Nr.  
SCRUBTEC653B03

7



# SCHMUTZWASSERTANK

## SCRUBTEC 653B - 653BL - 651BCL - 661BL

30-09-2014

ET-Liste-Nr.  
SCRUBTEC653B03

8

| Pos | Artikelnr.   | Me | Beschreibung                        |                              |
|-----|--------------|----|-------------------------------------|------------------------------|
| 0   | 909 6876 000 | 1  | BefestigungsKit                     | FOR OLD TYPE CAGE SUP.FIXING |
| 1   | 9099853000   | 1  | Saugschlauch schwarz KIT            |                              |
| 2   | 9099166000   | 1  | Ablaufschlauch RAL 9005             |                              |
| 3   | 9097654000   | 1  | Tankdeckelkit                       |                              |
| 5   | L08239900    | 1  | CLAMP GREY                          |                              |
| 9   | L08812259    | 2  | CAGE,FLOAT CP                       |                              |
| 10  | L08812373    | 1  | BALL FLOATING                       |                              |
| 11  | 9097724000   | 1  | Schwimmer Halter Kit                | INSTR.CODE 9097725000        |
| 14  | 145 0543 000 | 2  | CLAMP 14/32-52                      |                              |
| 18  | 9097013000   | 1  | Schmutzwassertank 55 L / Blau       |                              |
| 19  | 9097014000   | 1  | Tankabdeckung 55L Blau              |                              |
| 20  | 33005124     | 2  | Scharabe M5x12 UNI 7688             |                              |
| 21  | 909 6901 000 | 1  | Dichtung L 1640                     |                              |
| 24  | 909 6491 000 | 1  | PANEL,ACOUSTIC INSULATION           |                              |
| 26  | 909 6672 000 | 1  | FILTER                              |                              |
| 27  | 9099401000   | 1  | MOTOR VACUUM KIT                    |                              |
| 30  | 909 6051 000 | 1  | Abdeckhaube f. Motor                |                              |
| 31  | 909 6442 000 | 1  | PIPE,ACOUSTIC INSULATION Ansaugrohr |                              |
| 37  | 909 6877 000 | 1  | Motor BefestigungsKit               |                              |
| 38  | 909 5065 000 | 1  | FILTER ANTIFOAMING                  | OPTION - TSB IT 2008-002     |
| 22A | 909 6489 000 | 1  | GASKET VACUUM MOTOR                 |                              |
| 22B | 9098055000   | 1  | GASKET VACUUM MOTOR                 |                              |
| 23A | 909 6490 000 | 1  | GASKET VACUUM MOTOR                 |                              |
| 23B | 9097555000   | 1  | Dichtung                            |                              |
| 35A | 909 5371 000 | 2  | CARBON BRUSH                        |                              |
| 35B | 9098231000   | 1  | Kohlebürstensatz 2Stck.             |                              |

A FOR MOTOR 9099401000 (AMETEK)

B FOR MOTOR 9098062000 (VIPER)



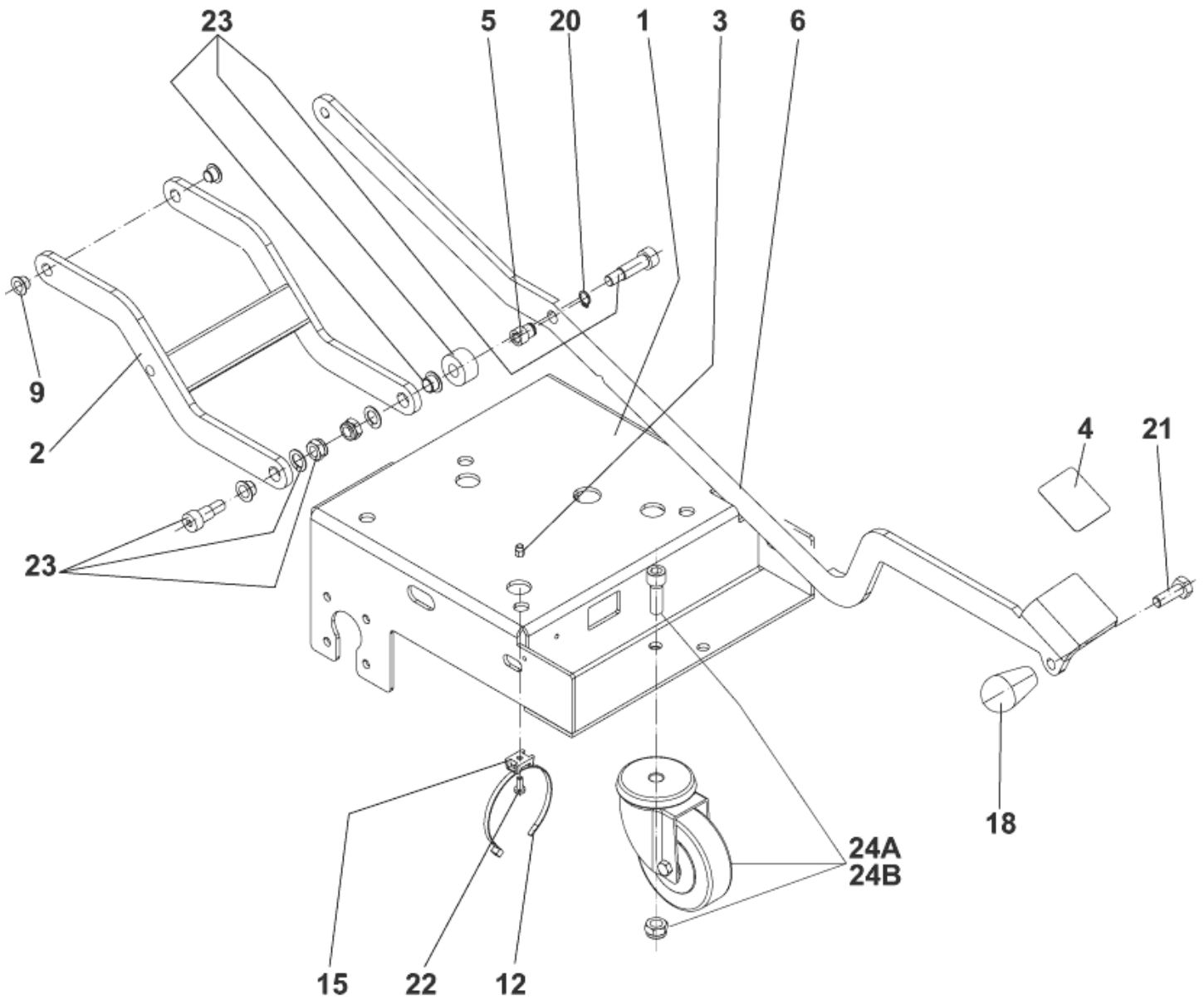
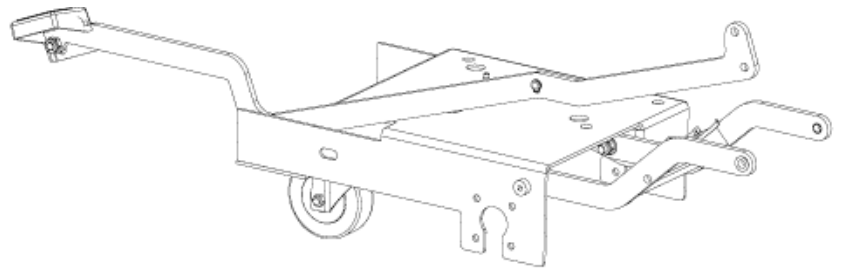
# Chassis-System

SCRUBTEC 653B - 653BL - 651BCL - 661BL

30-09-2014

ET-Liste-Nr.  
SCRUBTEC653B04

9



# Chassis-System

SCRUBTEC 653B - 653BL - 651BCL - 661BL

30-09-2014

ET-Liste-Nr.  
SCRUBTEC653B04

10

| Pos | Artikelnr.   | Me | Beschreibung                      |                           |
|-----|--------------|----|-----------------------------------|---------------------------|
| 0   | 9100000335   | 1  | STRAP ANTISTATIC KIT              | OPT INST.INSTR.9100000337 |
| 1   | 909 6481 000 | 1  | Chassis 55 LT                     |                           |
| 2   | 909 6486 000 | 1  | Hebel                             |                           |
| 3   | 145 6132 000 | 1  | INSERT M5                         |                           |
| 4   | 909 6539 000 | 1  | Antirutsch-Belag                  |                           |
| 5   | 909 6540 000 | 1  | Buchse                            |                           |
| 6   | 909 6487 000 | 1  | Pedal                             |                           |
| 9   | 909 6594 000 | 3  | Buchse                            |                           |
| 12  | 145 0524 000 | 3  | Klammer 4,8x200 schwarz f. PS 333 |                           |
| 15  | 909 6595 000 | 1  | Halter / Schelle                  |                           |
| 20  | 33006051     | 1  | Ring D12                          |                           |
| 22  | 909 6337 000 | 1  | Schraube M5 x 12                  |                           |
| 23  | 909 6878 000 | 1  | Satz Befestigungsteile            |                           |
| 24  | 9098947000   | 1  | Lenkrolle Kit                     | OPTION                    |
| 18A | 909 6621 000 | 1  | Knopf BR 611                      |                           |
| 21A | 33004010     | 1  | Schraube                          |                           |
| 24A | 909 6880 000 | 1  | Lenkrollen Kit                    |                           |
| 24B | 909 6880 000 | 1  | Lenkrollen Kit                    |                           |

A ONLY FOR SCRUBBER WITH DRIVE

B ONLY FOR SCRUBBER WITHOUT DRIVE

POSITION 0:9100000335 ACCESSORY NOT SHOWN

# Wheels with - without traction

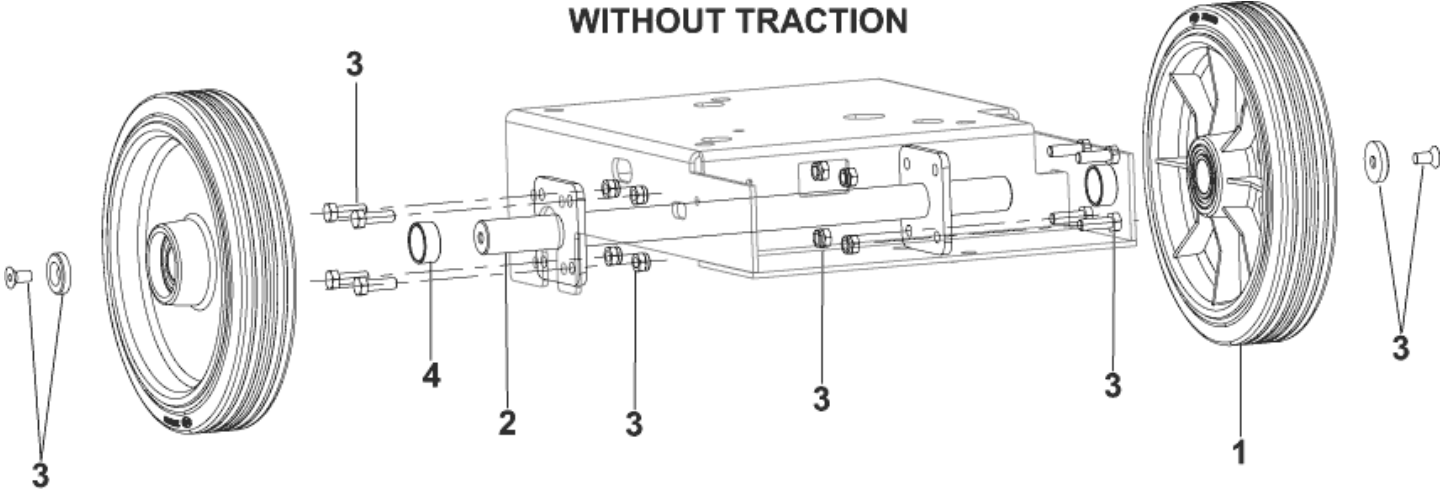
SCRUBTEC 653B - 653BL - 651BCL - 661BL

30-09-2014

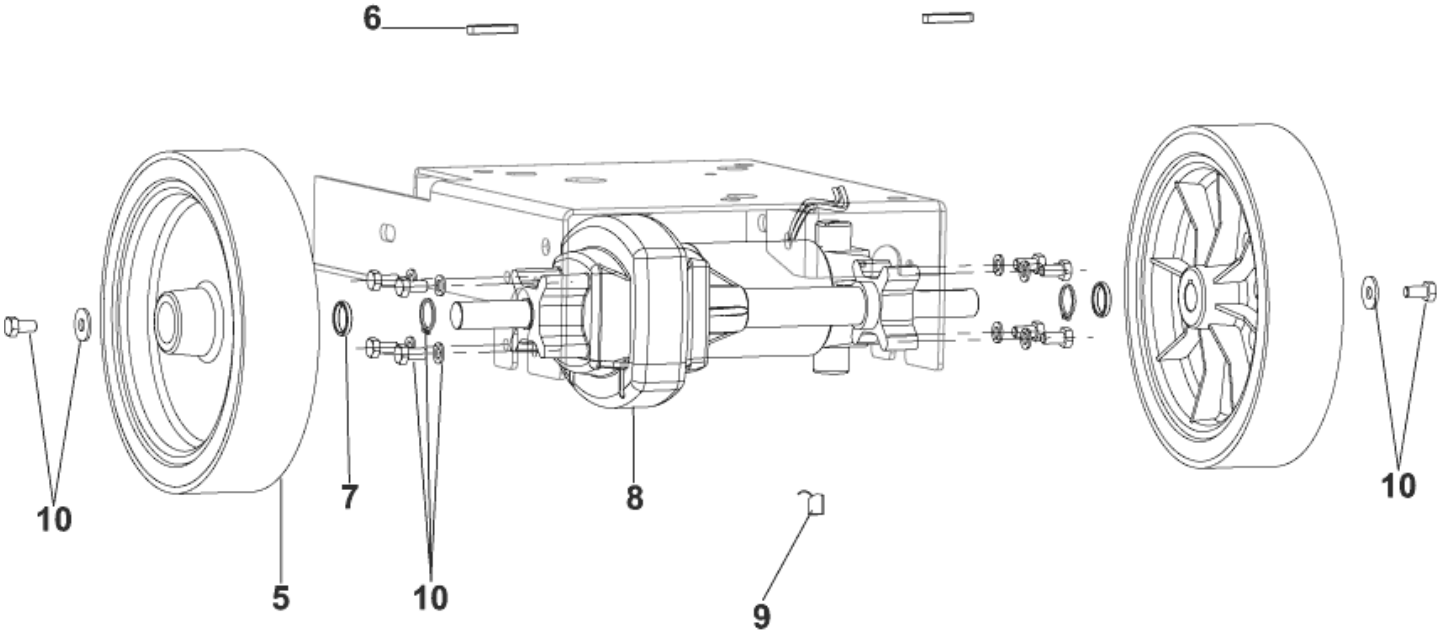
ET-Liste-Nr.  
SCRUBTEC653B05

11

## WITHOUT TRACTION



## WITH TRACTION



# Wheels with - without traction

SCRUBTEC 653B - 653BL - 651BCL - 661BL

30-09-2014

ET-Liste-Nr.  
SCRUBTEC653B05

12

| Pos | Artikelnr.   | Me | Beschreibung                                     |
|-----|--------------|----|--|
| 1   | 9097085000   | 2  | Vorderrad D.250, ohne Antrieb                    |
| 2   | 909 6501 000 | 1  | SHAFT WHEELS                                     |
| 3   | 9098299000   | 1  | Radbefestigungskit                               |
| 4   | 909 6502 000 | 2  | Federkit BA 611 D                                |
| 5   | 9097026000   | 2  | WHEEL FRONT D.250 DRIVE u. bessere Trakt. Ø250mm |
| 5   | 9099691000   | 1  | Radkit   |
| 6   | 146 0769 000 | 2  | Passfeder 6 x 6 x 40                             |
| 7   | 909 6506 000 | 2  | U-Scheibe  |
| 8   | 909 6548 000 | 1  | MOTOR DRIVE 200W 24V 200W/24V                    |
| 9   | 145 5124 000 | 2  | Kohlebürste 2 Stück                              |
| 10  | 9098298000   | 1  | Befestigungs-Kit f. Antriebsrad                  |

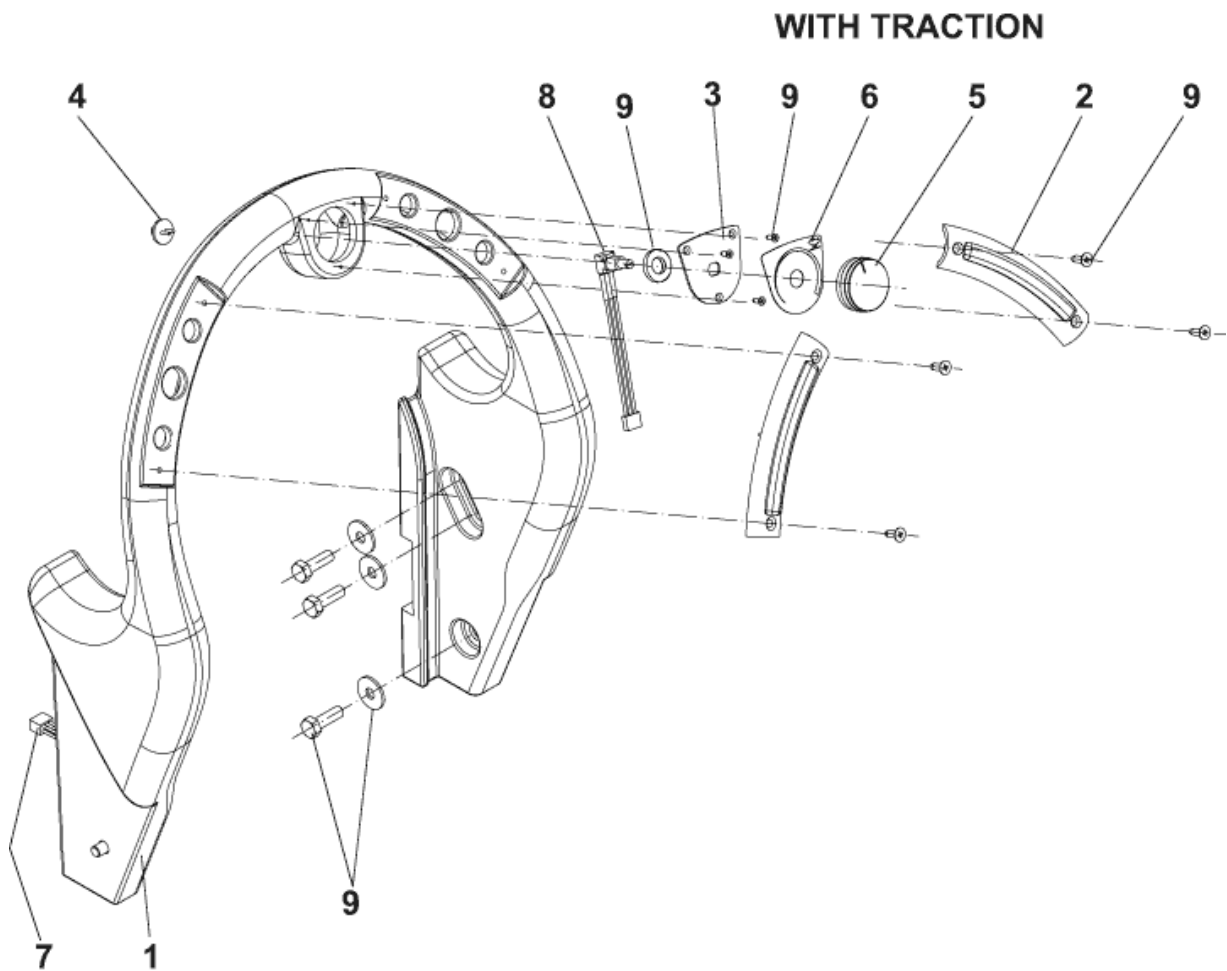
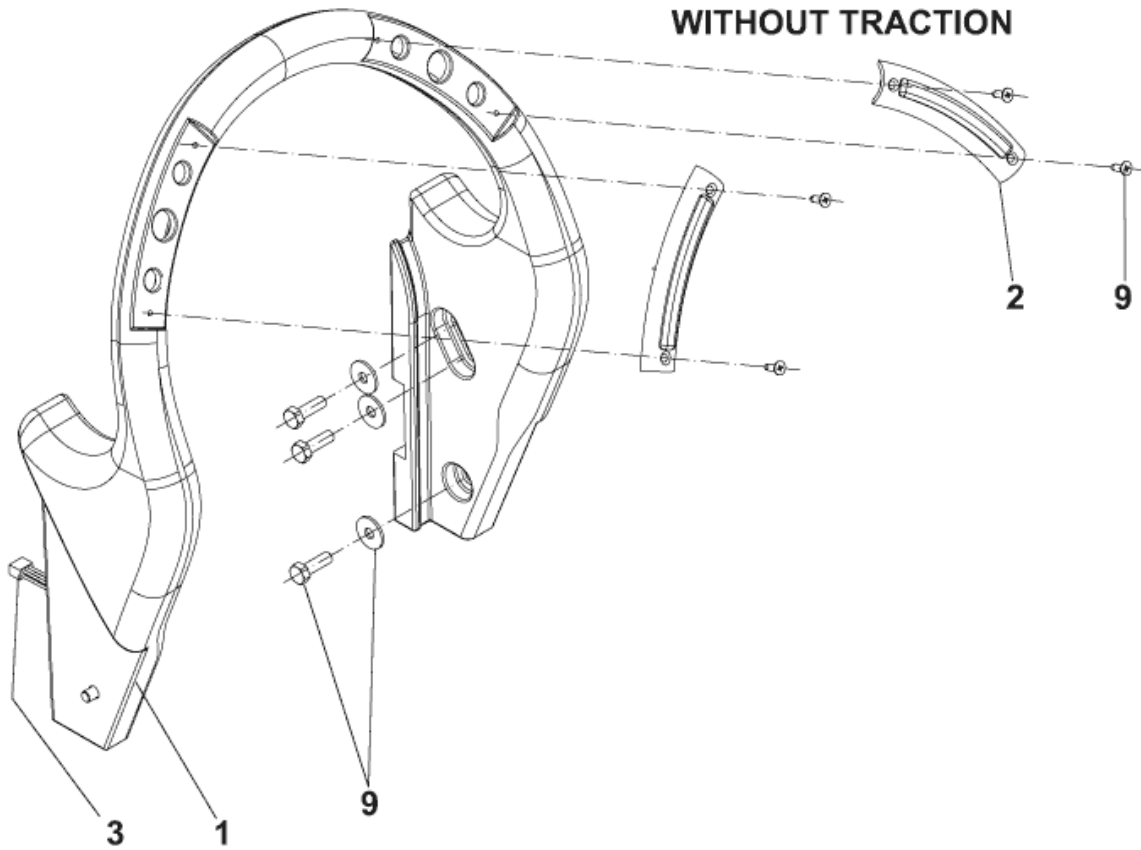
# Handle assembly with - without traction

SCRUBTEC 653B - 653BL - 651BCL - 661BL

30-09-2014

ET-Liste-Nr.  
SCRUBTEC653B07

13



# Handle assembly with - without traction

SCRUBTEC 653B - 653BL - 651BCL - 661BL

30-09-2014

ET-Liste-Nr.  
SCRUBTEC653B07

14

| Pos | Artikelnr. | Me | Beschreibung                    |   |
|-----|------------|----|---------------------------------|---|
| 1   | 9097018000 | 1  | Lenkstange                      | SCRUBTEC 653 BL - 651 BCL - 661 BL        |
| 1   | 9097021000 | 1  | HANDLE BAR PLASTIC              | SCRUBTEC 653 B                            |
| 2   | 9097152000 | 1  | BUTTON BRUSH KIT                | SCRUBTEC 653B - 653 BL - 651 BCL - 661 BL |
| 3   | 9097031000 | 1  | PLATE POTENTIOMETER             | SCRUBTEC 653 BL - 651 BCL - 661 BL        |
| 3   | 9097036000 | 1  | Kabelbaum, Lenker               | SCRUBTEC 653 B                            |
| 4   | 9097153000 | 1  | SWITCH REVERSE SPEED            | SCRUBTEC 653B - 653 BL - 651 BCL - 661 BL |
| 5   | 9098484000 | 1  | Knopf                           | SCRUBTEC 653 BL - 651 BCL - 661 BL        |
| 6   | 9097071000 | 1  | DECAL TRACTION CONTROL regelung | SCRUBTEC 653 BL - 651 BCL - 661 BL        |
| 7   | 9097035000 | 1  | Kabelbaum Gelenkachse           | SCRUBTEC 653 BL - 651 BCL - 661 BL        |
| 8   | 9097043000 | 1  | POTENTIOMETER                   | SCRUBTEC 653 BL - 651 BCL - 661 BL        |
| 9   | 9098330000 | 1  | Bediengriff-Set Maschine        |   |

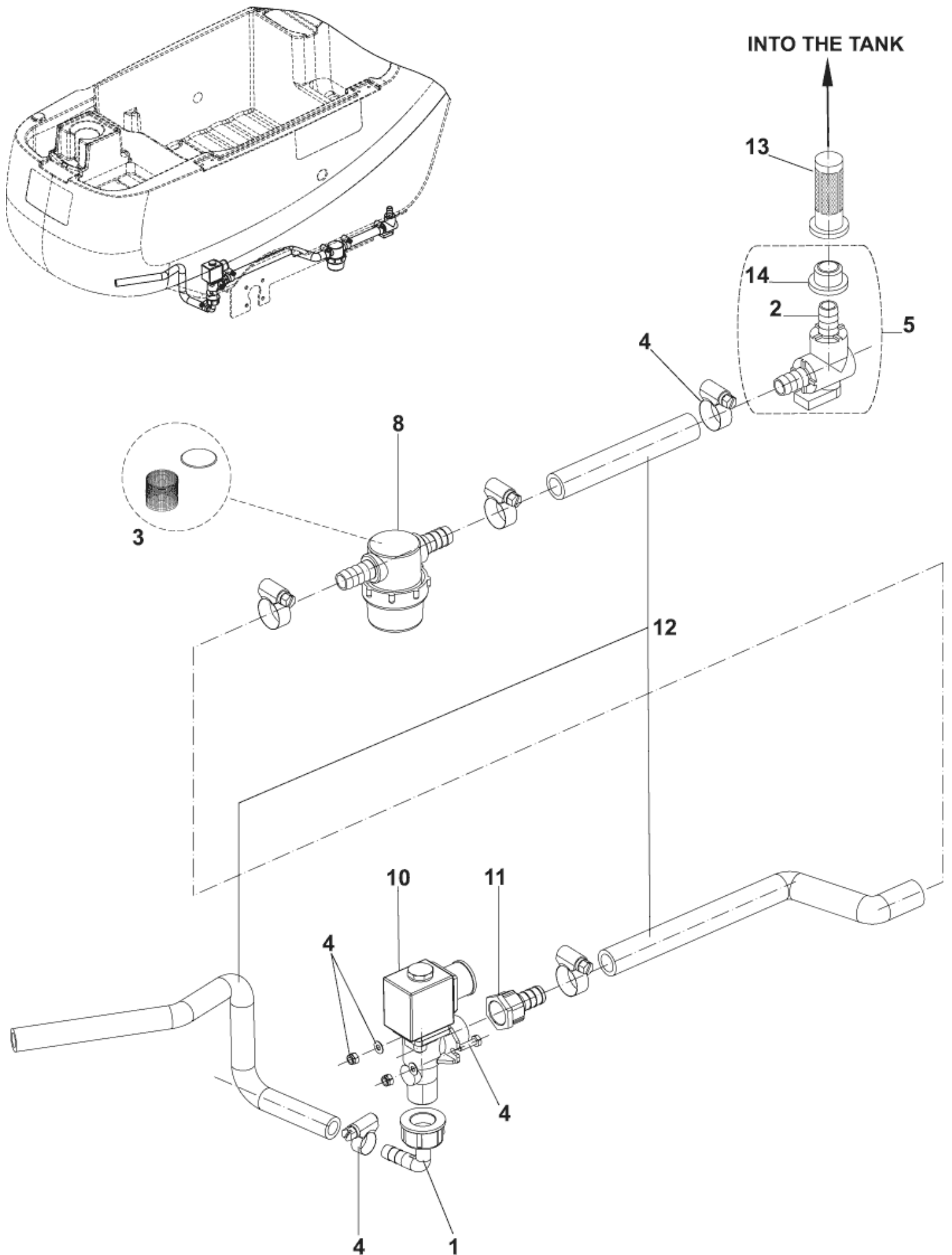
# FRISCHWASSERSYSTEM

SCRUBTEC 653B - 653BL - 651BCL - 661BL

30-09-2014

ET-Liste-Nr.  
SCRUBTEC653B09

15



# FRISCHWASSERSYSTEM

SCRUBTEC 653B - 653BL - 651BCL - 661BL

30-09-2014

ET-Liste-Nr.  
SCRUBTEC653B09

16

| Pos | Artikelnr.   | Me | Beschreibung                                    |
|-----|--------------|----|---|
| 1   | 9098777000   | 1  | Anschlusswinkel 90 GRAD.KIT                     |
| 2   | 9097028000   | 1  | Eckventil                                       |
| 3   | L08603893    | 1  | Filter mit Dichtungssatz                        |
| 4   | 9098301000   | 1  | Hardware Solution System Frischwasser System    |
| 5   | 9097626000   | 1  | VALVE ELBOW KIT                                 |
| 8   | 9097154000   | 1  | FILTER COMPLETE KIT                             |
| 10  | 909 6555 000 | 1  | SOLENOID VALVE 24V                              |
| 11  | 9097115000   | 1  | Schlauchanschluß                                |
| 12  | 9097171000   | 1  | PIPES SOLENOID VALVE KIT                        |
| 13  | 9096916000   | 1  | FILTER SOLUTION TANK Frischwassertank<br>OPTION |
| 14  | 909 5286 000 | 1  | Dichtung schlauch                               |



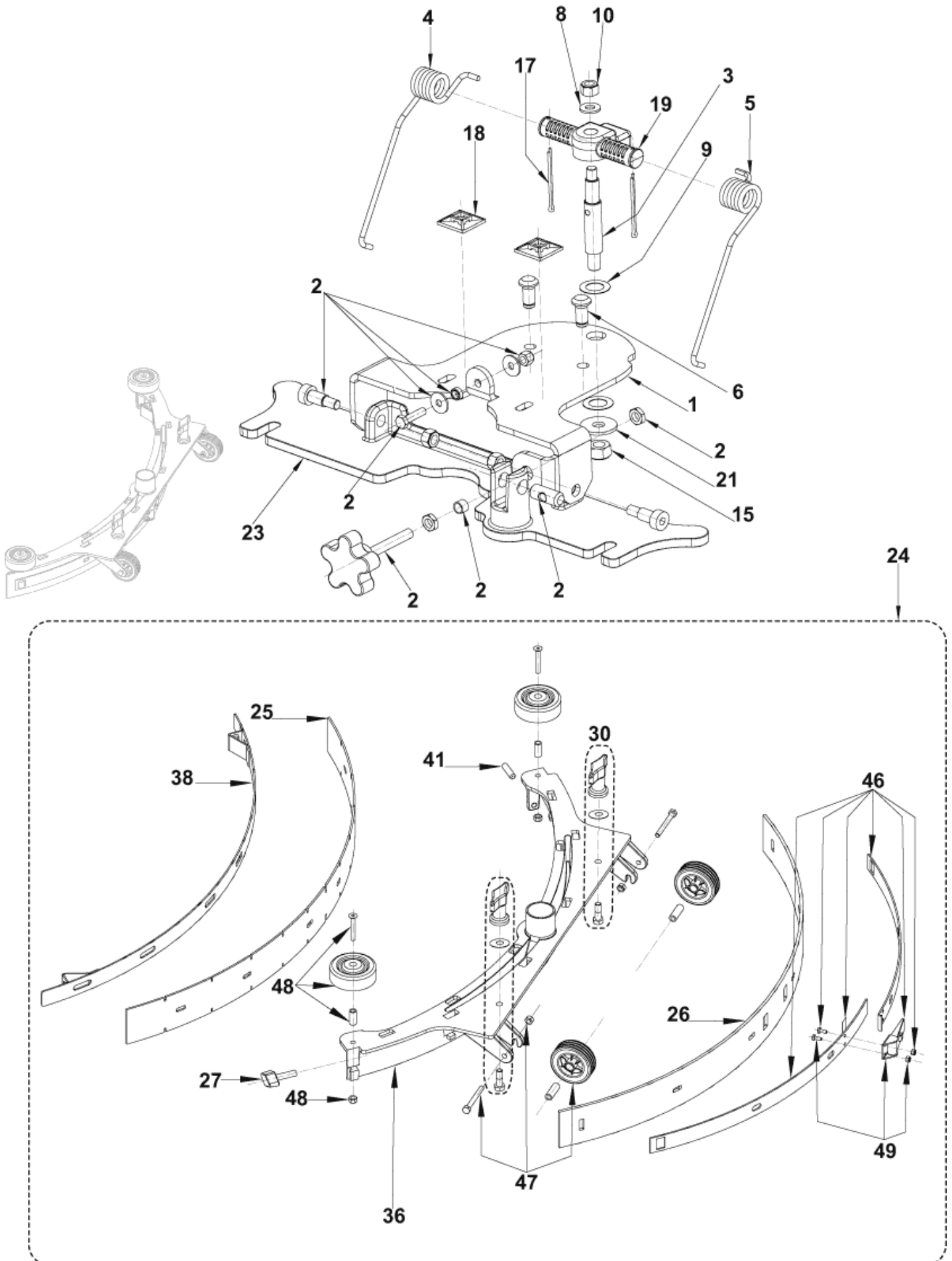
# Squeegee system 653B-653BL-651BCL

SCRUBTEC 653B - 653BL - 651BCL - 661BL

30-09-2014

ET-Liste-Nr.  
SCRUBTEC653B10

17



# Squeegee system 653B-653BL-651BCL

SCRUBTEC 653B - 653BL - 651BCL - 661BL

30-09-2014

ET-Liste-Nr.  
SCRUBTEC653B10

18

| Pos | Artikelnr.   | Me | Beschreibung                       |                     |
|-----|--------------|----|------------------------------------|---------------------|
| 0   | 9097548000   | 1  | WASHER NYLON KIT F.SQUEE.SUPPORT   | TSB IT 2007-031     |
| 0   | 910000279    | 1  | BLADES NON MARKING 740MM/29 KIT    | INCLUDES POS. 25-26 |
| 1   | 909 6494 000 | 1  | Halterung f. Aufnahme Absaugleiste |                     |
| 2   | 909 6885 000 | 1  | HARDWARE SQUEEGEE FIXING KIT       |                     |
| 3   | 909 6497 000 | 1  | Bolzen                             |                     |
| 4   | 909 6537 000 | 1  | Spannfeder                         |                     |
| 5   | 909 6538 000 | 1  | SPRING.SQUEEGEE PUSHING            |                     |
| 6   | 909 6543 000 | 2  | Bolzen                             |                     |
| 8   | 33005915     | 1  | Unterlagsscheibe 8x16              |                     |
| 9   | L08238300    | 2  | WASHER 15X25 UNI6592               |                     |
| 10  | 33005607     | 3  | Mutter                             |                     |
| 15  | 33005608     | 1  | Mutter                             |                     |
| 17  | 33005758     | 2  | Splint                             |                     |
| 18  | 909 6635 000 | 2  | Flachanker                         |                     |
| 19  | 909 6052 000 | 1  | SUPPORT.SQUEEGEE SPRING            |                     |
| 21  | L08604251    | 1  | WASHER 10X30 UNI6592               |                     |
| 23  | 909 6045 000 | 1  | SUPPORT, SQUEEGEE BA551/611        |                     |
| 24  | 909 6851 000 | 1  | SQUEEGEE CPL ALU KIT 30"           |                     |
| 27  | 909 6551 000 | 1  | Drehknopf M8X30 SS                 |                     |
| 30  | 9097637000   | 1  | SQUEEGEE FIXING KIT                |                     |
| 36  | 909 6044 000 | 1  | WELDMENT.SQUEEGEE TOOL             |                     |
| 38  | 909 6055 000 | 1  | Halteband f. Gummilippe            |                     |
| 41  | 909 6600 000 | 1  | Schraube M8X30 UNI5929 SS          |                     |
| 46  | 909 6882 000 | 1  | HARDWARE SQU.BLADE FIXING KIT      |                     |
| 47  | 909 6883 000 | 2  | WHEELS SQUEEGEE KIT                |                     |
| 48  | 909 6884 000 | 2  | Abweisrolle - KIT                  |                     |
| 49  | 909 6394 000 | 1  | LATCH SQUEEGEE KIT                 |                     |

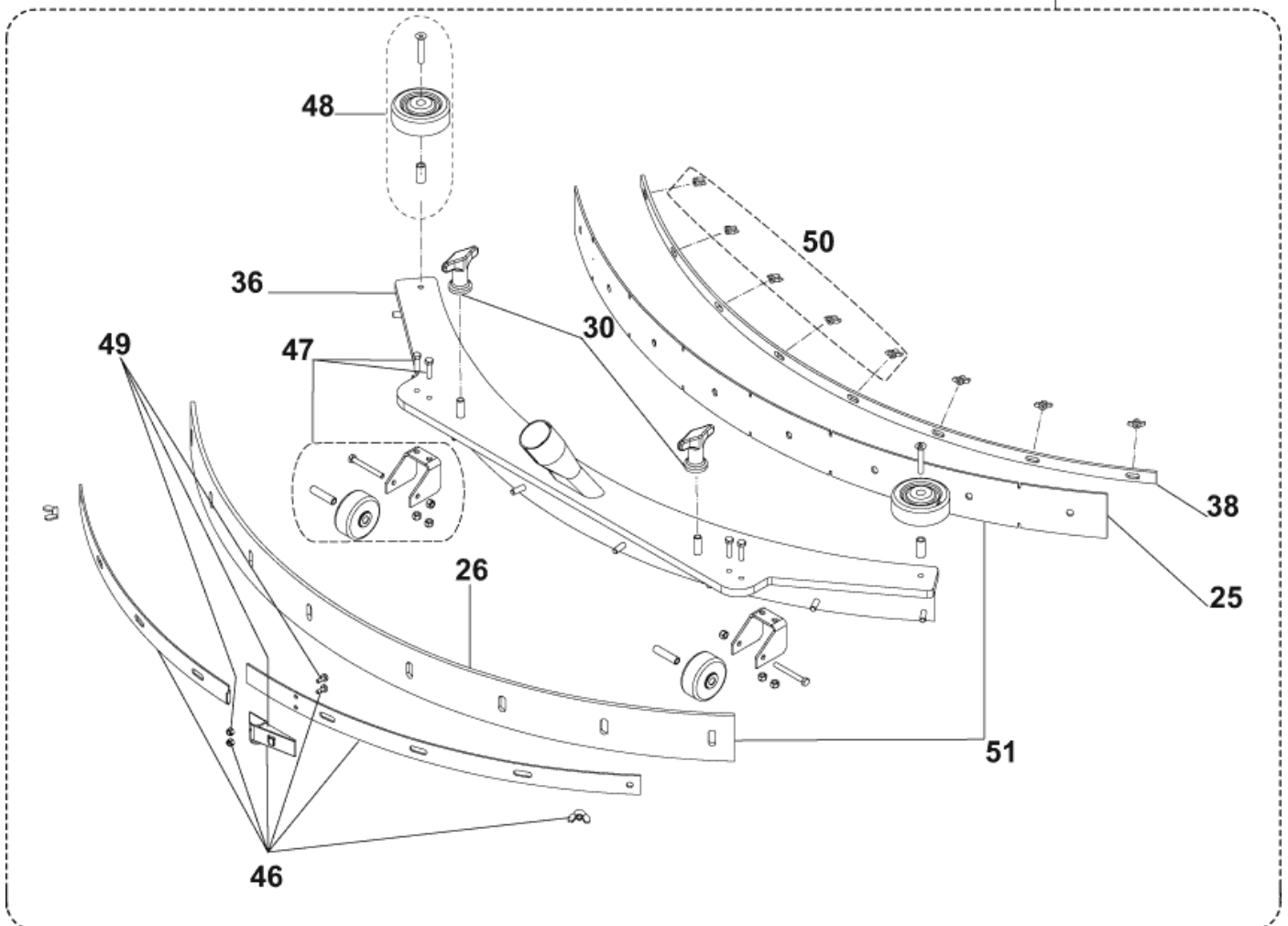
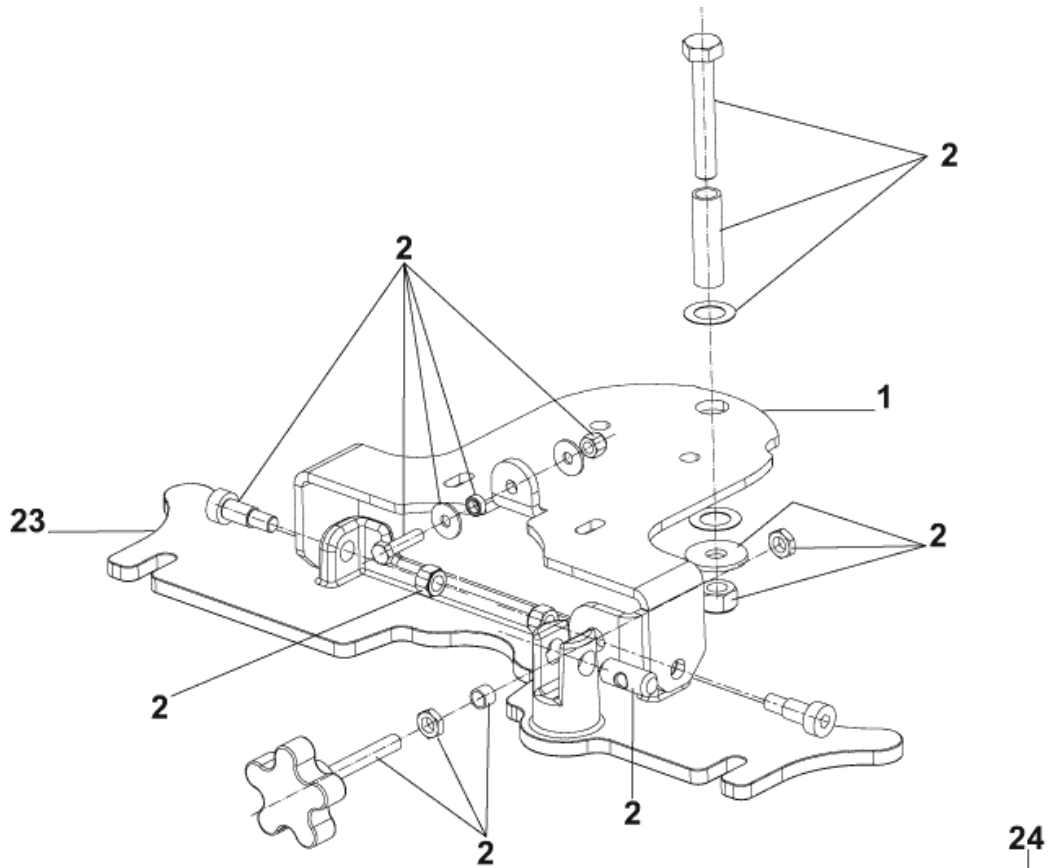
# Squeegee system 661BL

SCRUBTEC 653B - 653BL - 651BCL - 661BL

30-09-2014

ET-Liste-Nr.  
SCRUBTEC653B11

19



# Squeegee system 661BL

SCRUBTEC 653B - 653BL - 651BCL - 661BL

30-09-2014

ET-Liste-Nr.  
SCRUBTEC653B11

20

| Pos | Artikelnr.   | Me | Beschreibung                                      |                    |
|-----|--------------|----|---|--------------------|
| 1   | 909 6494 000 | 1  | Halterung f. Aufnahme Absaugleiste                |                    |
| 2   | 9098527000   | 1  | Befestigungskit                                   |                    |
| 23  | 909 6045 000 | 1  | SUPPORT, SQUEEGEE BA551/611                       |                    |
| 24  | 909 5372 000 | 1  | Walze kpl. 840MM/33KIT                            |                    |
| 25  | 909 5629 000 | 1  | BLADE FRONT NON MARKING markierend f. BA600S/650S |                    |
| 30  | 9097637000   | 1  | SQUEEGEE FIXING KIT                               |                    |
| 36  | 909 5294 000 | 1  | Absaugdüsenkörper                                 |                    |
| 38  | L08603831    | 1  | STRAP FRONT Absaugleiste, vorn                    |                    |
| 46  | 909 6894 000 | 1  | Befestigungskit Abzieher- beschlag                |                    |
| 47  | 9100000573   | 2  | WHEEL SQUEEGEE KIT                                |                    |
| 48  | L08603880    | 2  | ROLLER BUMPER KIT BA 600S/650S                    |                    |
| 49  | 909 6394 000 | 1  | LATCH SQUEEGEE KIT                                |                    |
| 50  | 909 6356 000 | 2  | WING NUTS KIT                                     |                    |
| 51  | 9100000280   | 1  | Sauglippenkit 840MM/33 nicht markierend           | INCLUDES POS.25-26 |

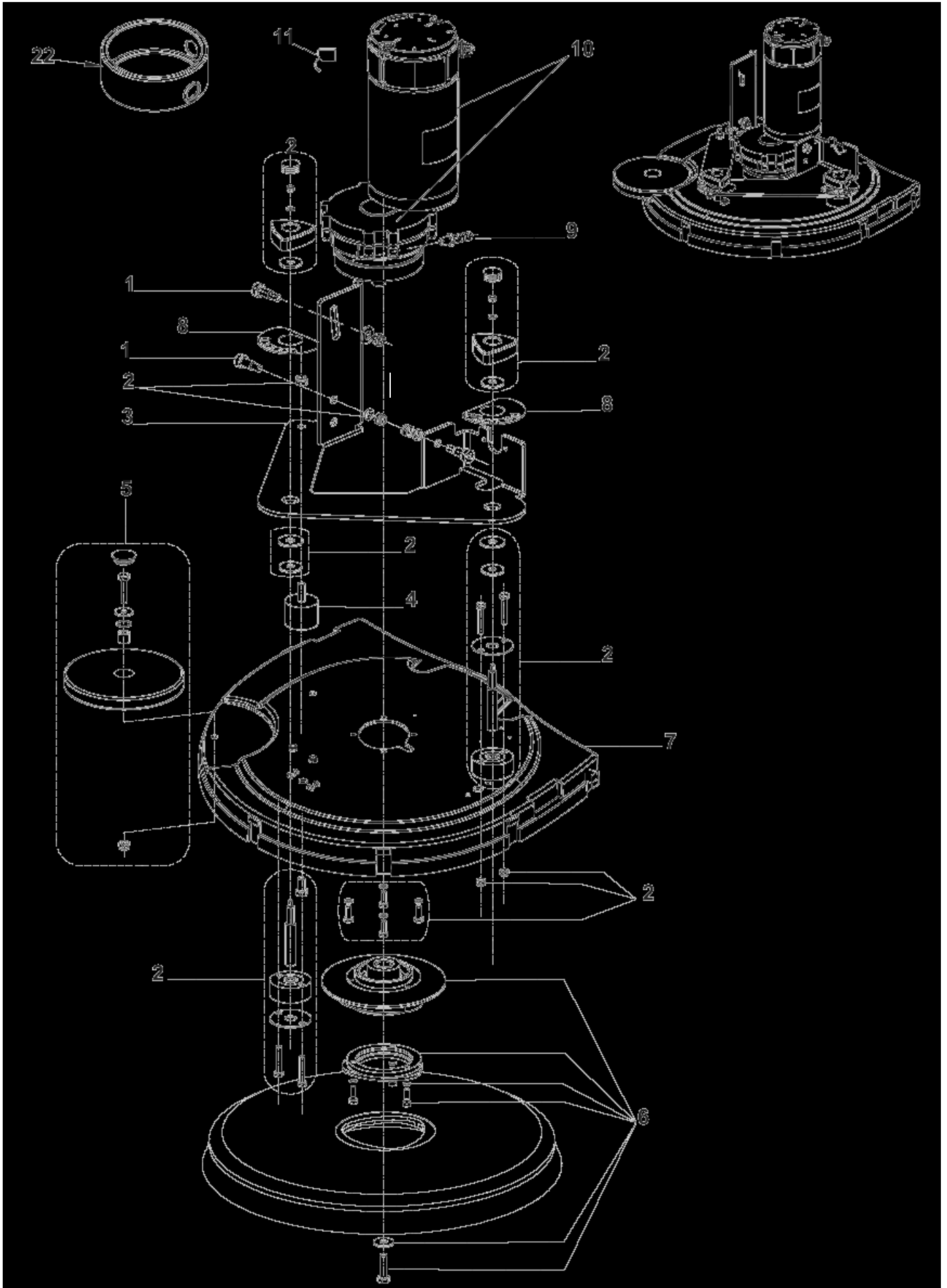
# Brush system 653B

SCRUBTEC 653B - 653BL - 651BCL - 661BL

30-09-2014

ET-Liste-Nr.  
SCRUBTEC653B12

21



# Brush system 653B

SCRUBTEC 653B - 653BL - 651BCL - 661BL

30-09-2014

ET-Liste-Nr.  
SCRUBTEC653B12

22

| Pos | Artikelnr.   | Me | Beschreibung                             |  |
|-----|--------------|----|--|--|
| 1   | 909 6495 000 | 3  | Schraube M10x16                          |  |
| 2   | 9099419000   | 1  | HARDWARE BRUSH DECK SYST.KIT Bürstendeck |  |
| 3   | 909 6485 000 | 1  | Aufnahme                                 |  |
| 4   | 9097184000   | 1  | VIBRATION DAMPING M8 60SH                |  |
| 5   | 909 6887 000 | 2  | Abweisrollenkit                          |  |
| 6   | 9097093000   | 1  | Halter                                   |  |
| 7   | 9097078000   | 1  | Bürstenabdeckung schwarz 530 mm          |  |
| 8   | 9098091000   | 1  | DECALS SCRUB.651-653-661                 |  |
| 9   | L08601624    | 1  | HOLDER RUBBER 1/4 D.10                   |  |
| 10  | 9098308000   | 1  | REDUCTION GEARMOTOR 450W 24V             | STARTING FROM SN 101712160                         |
| 11  | 909 5380 000 | 1  | Kohlebürste KIT                          | FOR REDUCTION GEARMOTOR 909 6546 000 (LEROY SOMER) |
| 11  | 9098376000   | 1  | CARBON BRUSHES KIT 4 PCS                 | FOR REDUCTION GEARMOTOR 9098308000 (AMER)          |
| 11  | 9098674000   | 1  | CARBON BRUSHES KIT 4 PCS                 | FOR REDUCTION GEARMOTOR 9098352000 (VIPER)         |
| 22  | 9097599000   | 1  | Motorschutz Kit nicht mehr lieferbar     | TSB IT 2008-014 - INSTR.CODE 9097600000            |

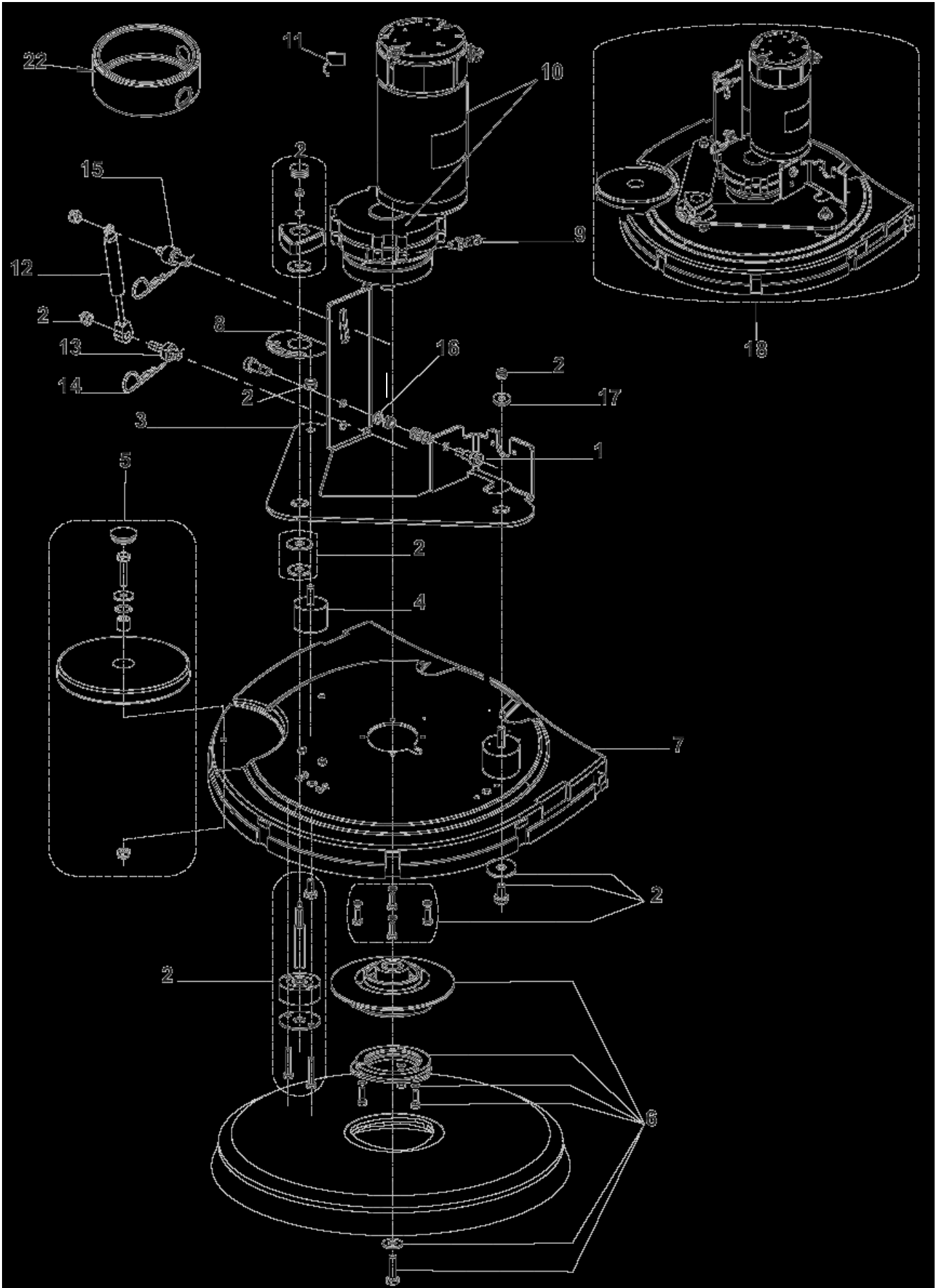
# Brush system 653BL

SCRUBTEC 653B - 653BL - 651BCL - 661BL

30-09-2014

ET-Liste-Nr.  
SCRUBTEC653B13

23



# Brush system 653BL

SCRUBTEC 653B - 653BL - 651BCL - 661BL

30-09-2014

ET-Liste-Nr.  
SCRUBTEC653B13

24

| Pos | Artikelnr.   | Me | Beschreibung                             |  |
|-----|--------------|----|--|--|
| 1   | 909 6495 000 | 2  | Schraube M10x16                          |  |
| 2   | 9099419000   | 1  | HARDWARE BRUSH DECK SYST.KIT Bürstendeck |  |
| 3   | 909 6485 000 | 1  | Aufnahme                                 |  |
| 4   | 9097184000   | 1  | VIBRATION DAMPING M8 60SH                |  |
| 5   | 909 6887 000 | 2  | Abweisrollenkit                          |  |
| 6   | 9097093000   | 1  | Halter                                   |  |
| 7   | 9097078000   | 1  | Bürstenabdeckung schwarz 530 mm          |  |
| 8   | 9098091000   | 1  | DECALS SCRUB.651-653-661                 |  |
| 9   | L08601624    | 1  | HOLDER RUBBER 1/4 D.10                   |  |
| 10  | 9098308000   | 1  | REDUCTION GEARMOTOR 450W 24V             | STARTING FROM SN 093819232                         |
| 11  | 909 5380 000 | 1  | Kohlebürste KIT                          | FOR REDUCTION GEARMOTOR 909 6546 000 (LEROY SOMER) |
| 11  | 9098376000   | 1  | CARBON BRUSHES KIT 4 PCS                 | FOR REDUCTION GEARMOTOR 9098308000 (AMER)          |
| 12  | 909 5637 000 | 1  | Feder                                    |  |
| 13  | 909 6516 000 | 1  | Pin unten                                |  |
| 14  | 145 8564 000 | 2  | Splint 3ZN zu AR 4090                    |  |
| 15  | 909 6515 000 | 1  | Bolzen                                   |  |
| 16  | 33005916     | 2  | Unterlagscheibe M10 UNI6592              |  |
| 17  | 909 6513 000 | 1  | Flanschbuchse                            |  |
| 18  | 9097177000   | 1  | Bürstendeck 543/653 BLKIT                |  |
| 22  | 9097599000   | 1  | Motorschutz Kit nicht mehr lieferbar     | TSB IT 2008-014 - INSTR.CODE 9097600000            |



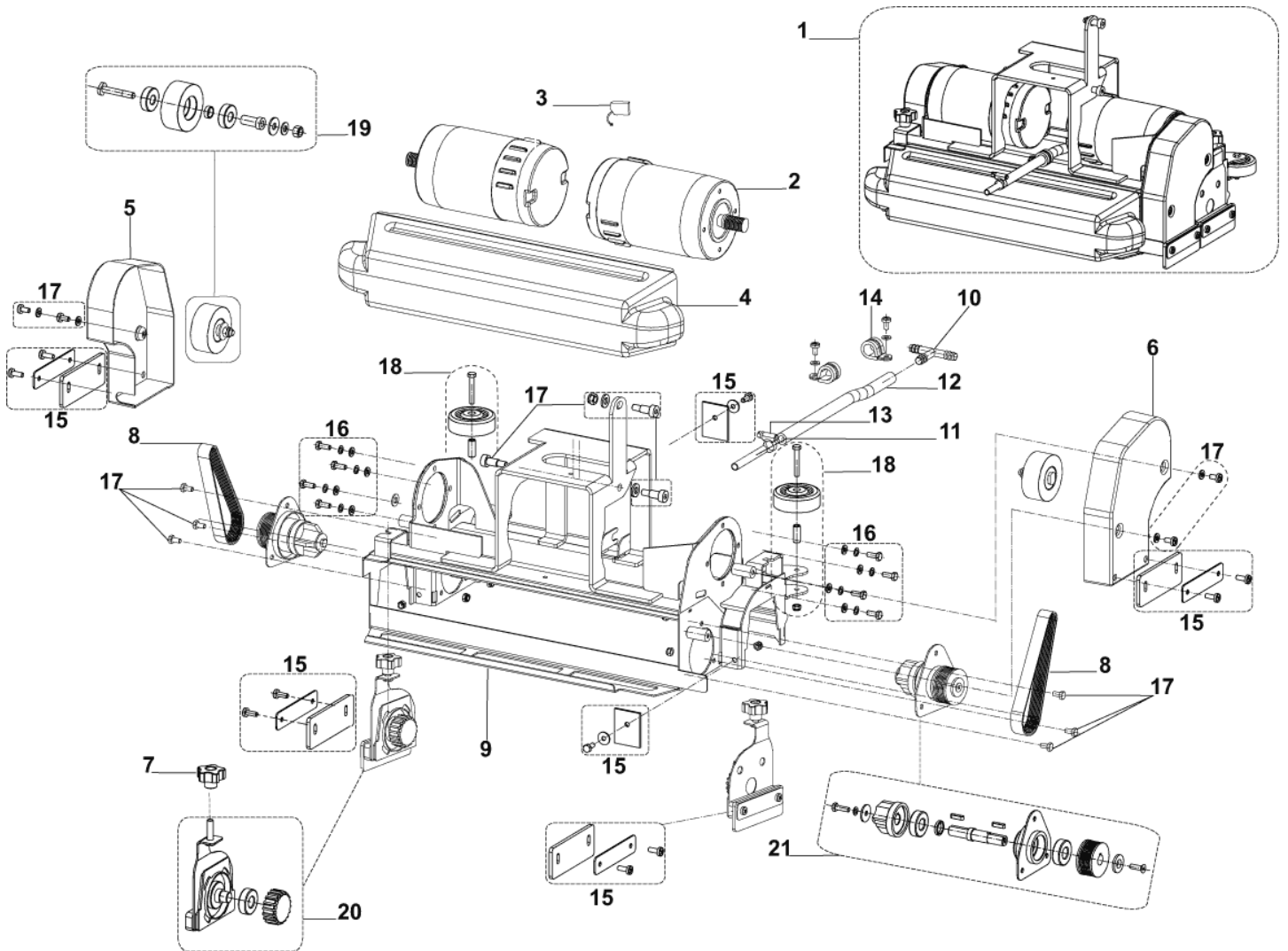
# Brush system 651BCL

SCRUBTEC 653B - 653BL - 651BCL - 661BL

30-09-2014

ET-Liste-Nr.  
SCRUBTEC653B14

25



# Brush system 651BCL

SCRUBTEC 653B - 653BL - 651BCL - 661BL

30-09-2014

ET-Liste-Nr.  
SCRUBTEC653B14

26

| Pos | Artikelnr.   | Me | Beschreibung  |
|-----|--------------|----|---|
| 0   | 909 6620 000 | 1  | Kabelbaum f. Bürstendeck  |
| 1   | 909 6854 000 | 1  | BRUSH DECK 510MM/20" CYL KIT                                      |
| 2   | 9096997000   | 2  | Getriebemotor   |
| 3   | 1464432000   | 2  | Kohle Kit 4 Stück<br>1 kit (incl.4 brushes) needed for each motor |
| 4   | 909 5805 000 | 1  | Schmutzbehälter   |
| 5   | 909 5818 000 | 1  | Linker Keilriemen   |
| 6   | 909 5817 000 | 1  | CRANKCASE BELT PROTECT. RIGHT                                     |
| 7   | 146 1851 000 | 2  | Drehknopf M8  |
| 8   | 909 5820 000 | 2  | Riemen POLY-V   |
| 9   | 909 6518 000 | 1  | Grundrahmen C-Deck  |
| 10  | 145 4366 000 | 1  | HOLDER RUBBER T D.12  |
| 11  | 909 5772 000 | 1  | HOSE COPPER   |
| 12  | 909 5870 000 | 1  | Schlauch  |
| 13  | 145 8582 000 | 1  | Klammer 8/ 9-16   |
| 14  | 909 5516 000 | 2  | CLAMP HOSE D.18   |
| 15  | 9098489000   | 1  | Halterung Spritzschutz Kit  |
| 16  | 9098490000   | 1  | Schrauben-Kit   |
| 17  | 9098491000   | 1  | Schrauben-Kit   |
| 18  | 9098488000   | 1  | ROLLERS BUMPERS KIT   |
| 19  | 9098485000   | 2  | BELT TENSIONER KIT  |
| 20  | 9098486000   | 2  | Bürstenhalterung Kit  |
| 21  | 9098487000   | 2  | SUPPORT PULLEY CYL.BRUSH  |

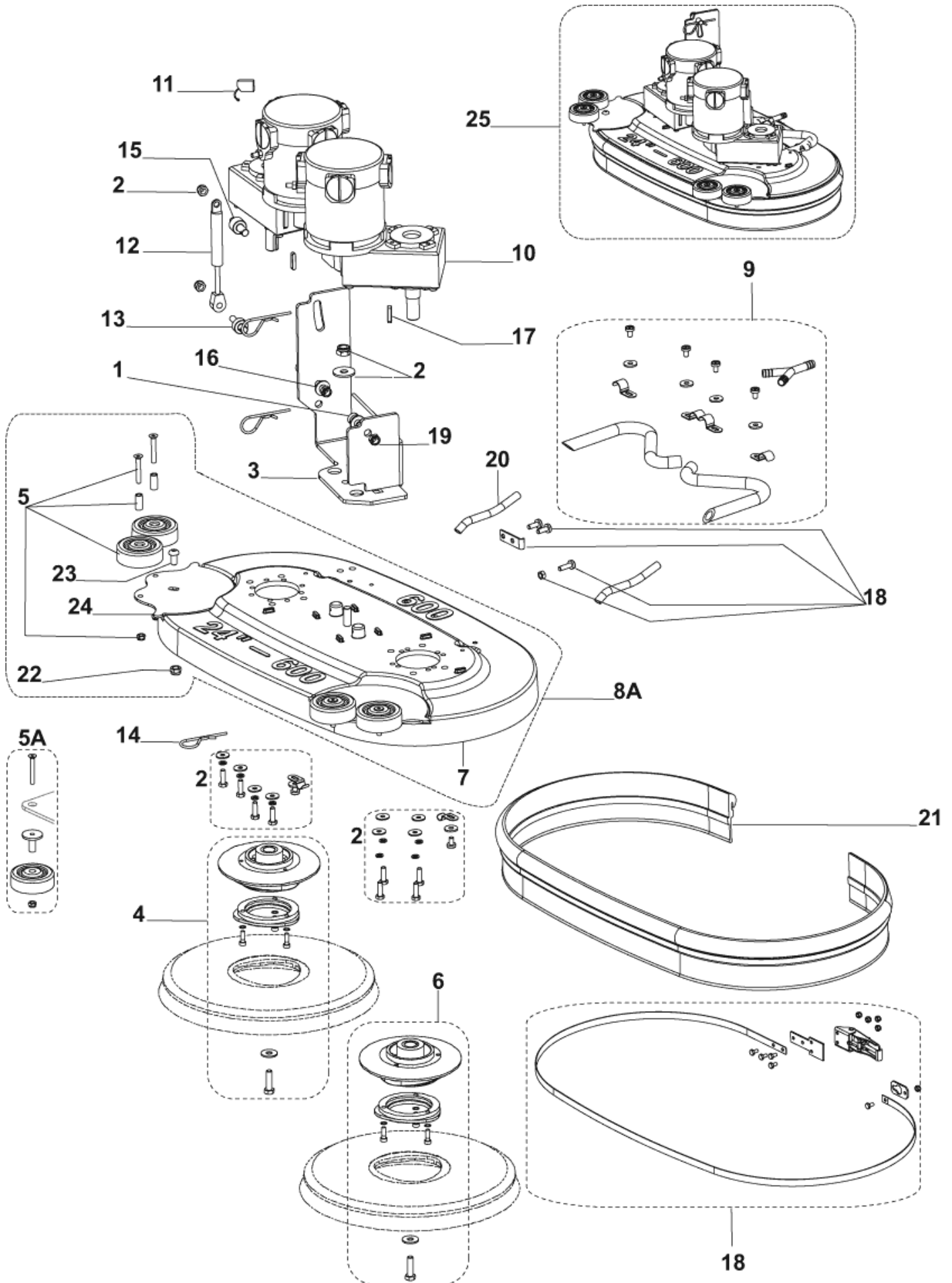
# Brush system 661BL after SN. 082116498

SCRUBTEC 653B - 653BL - 651BCL - 661BL

30-09-2014

ET-Liste-Nr.  
SCRUBTEC653B15

27



# Brush system 661BL after SN. 082116498

SCRUBTEC 653B - 653BL - 651BCL - 661BL

30-09-2014

ET-Liste-Nr.  
SCRUBTEC653B15

28

| Pos | Artikelnr.   | Me | Beschreibung  |                          |
|-----|--------------|----|---|--------------------------|
| 0   | 909 6619 000 | 1  | Kabelbaum f. Bürstendeck                              |                          |
| 0   | 9098091000   | 1  | DECALS SCRUB.651-653-661                              |                          |
| 1   | 909 6495 000 | 3  | Schraube M10x16                                       |                          |
| 2   | 9098496000   | 1  | Befestigungskit f. Bürstendeck                        |                          |
| 3   | 909 6512 000 | 1  | Klammer f. Bürstendeck                                |                          |
| 4   | L08812589    | 1  | HOLDER POLYG,W/FLANGE KIT                             | right                    |
| 5   | 909 6355 000 | 4  | Abstandsrolle KIT                                     |                          |
| 6   | 9097092000   | 1  | HOLDER POLYGONAL KIT                                  | left                     |
| 7   | 9097083000   | 1  | DECK BRUSH BLACK 600 MM                               |                          |
| 9   | 909 6891 000 | 1  | Wasserschlauch Bürstendeck                            |                          |
| 10  | 9100000678   | 1  | REDUCTION GEARMOTOR 350W 24V PKD                      |                          |
| 11  | 909 6893 000 | 2  | BRUSH CARBON KIT 4PCS                                 |                          |
| 12  | 909 5637 000 | 1  | Feder   |                          |
| 13  | 909 6516 000 | 1  | Pin unten   |                          |
| 14  | 145 8564 000 | 3  | Splint 3ZN zu AR 4090                                 |                          |
| 15  | 909 6515 000 | 1  | Bolzen  |                          |
| 16  | 33005916     | 3  | Unterlagscheibe M10 UNI6592                           |                          |
| 17  | 145 8024 000 | 2  | Passfeder 5X5X25                                      |                          |
| 18  | 909 5398 000 | 1  | Spritzgummihalterungs-KitBA 600S / BA 65 Spritzschutz |                          |
| 19  | 33005607     | 3  | Mutter  |                          |
| 20  | 909 5228 000 | 2  | Wassereinlass   |                          |
| 21  | 909 5224 000 | 1  | Schmutzfänger - DECK 650MM/26" 650MM/2                |                          |
| 22  | 145 0452 000 | 2  | NUT SELFLOCKING LOW M8 UNI7474 SS                     |                          |
| 23  | 32400530     | 2  | SCREW M8X16 ISO7380 SS                                |                          |
| 24  | 9097682000   | 2  | BRACKET ROLLER BUMPER                                 |                          |
| 25  | 9097179000   | 1  | Bürstendeck 661 BL KIT                                |                          |
| 5A  | 909 5894 000 | 2  | Abweisrollenkit BA 650750 / 600 S BA600S-750S         | A: SEE TSB IT 2008 - 010 |
| 8A  | 9097690000   | 1  | DECK BÜRSTE 600MM/24 DOPPEL                           | A: SEE TSB IT 2008 - 010 |

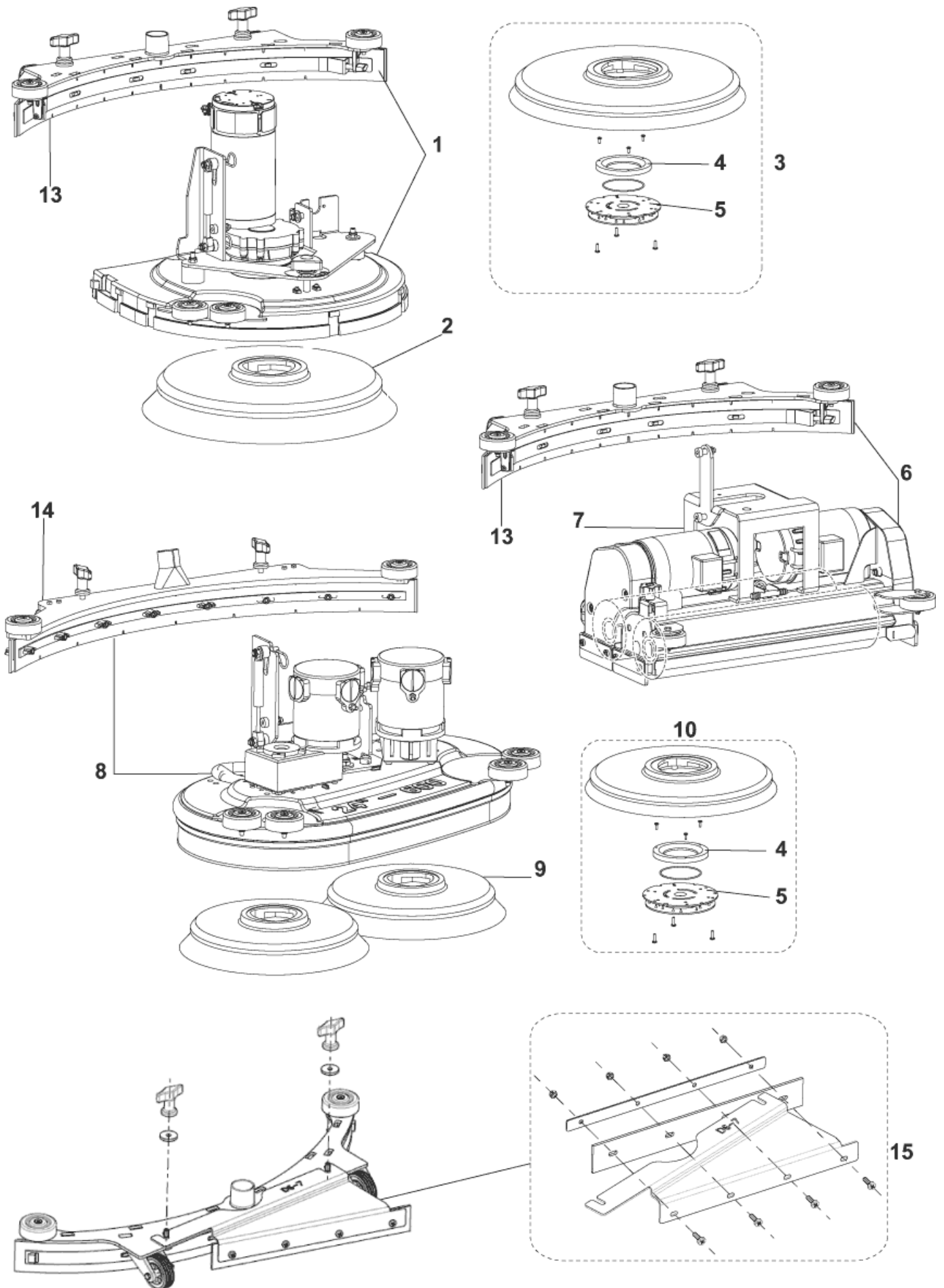
# Zubehör

SCRUBTEC 653B - 653BL - 651BCL - 661BL

30-09-2014

ET-Liste-Nr.  
SCRUBTEC653B16

29



# Zubehör

SCRUBTEC 653B - 653BL - 651BCL - 661BL

30-09-2014

ET-Liste-Nr.  
SCRUBTEC653B16

30

| Pos | Artikelnr.   | Me | Beschreibung                                   |
|-----|--------------|----|--|
| 0   | 909 6658 000 | 1  | CAP PLASTIC                                    |
| 0   | 909 6859 000 | 1  | BLADES PU KIT 840MM/33"                        |
| 0   | 9100000279   | 1  | BLADES NON MARKING 740MM/29 KIT                |
| 1   | 9097181000   | 1  | DECK BRUSH 530MM/21 KIT W.SQU.                 |
| 2   | L08837025    | 1  | BRUSH PROLENE 530MM                            |
| 2   | L08837026    | 1  | BRUSH PROLITE 530MM                            |
| 2   | L08837027    | 1  | BRUSH UNION MIX 530MM Ø 530 mm                 |
| 2   | L08837028    | 1  | BRUSH, MIDLITE 180 GRIT Light Grit             |
| 2   | L08837029    | 1  | BRUSH, MIDGRIT MEDIUM Clean Grit               |
| 2   | L08837065    | 1  | BRUSH MAGNA GRIT 46 530MM Super Grit           |
| 2   | L08837066    | 1  | BRUSH DYNA GRIT 80 530MM f. BA 550             |
| 2   | L08837067    | 1  | BRUSH ASLIDEE GRIT 500 f. BA 550               |
| 3   | 9099671000   | 1  | Padhalter 21" 530mm                            |
| 4   | L08603966    | 1  | PAD HOLDER KIT CPL 305                         |
| 5   | L08837030    | 1  | Auflage - Halter                               |
| 6   | 909 6849 000 | 1  | Bürstenaggregat Absaug- leiste f. BA551C (Kit) |
| 7   | 909 5823 000 | 2  | BÜRSTE CYL. PPL 0.4 20"                        |
| 7   | 909 5824 000 | 2  | BRUSH CYL. NYLON 0.45 20" Nylon 0.45 20"       |
| 7   | 909 5825 000 | 2  | BRUSH CYL. ABRASIVE 0.60 20" 0.60 20"          |
| 8   | 9097183000   | 1  | Bürstendeck BA 611 Absaugleiste                |
| 9   | L08603842    | 2  | BRUSH PROLENE 305MM                            |
| 9   | L08603872    | 2  | BRUSH MIDLITE GRIT180 Super Grit               |
| 9   | L08603873    | 2  | BRUSH MIDGRIT 240 305MM Clean Grit             |
| 9   | L08603874    | 2  | BRUSH PROLITE 305MM PP weich                   |
| 9   | L08603875    | 2  | BRUSH UNION MIX 305MM Ø 305 mm                 |
| 10  | L08603939    | 2  | Treibteller D305mm Kit                         |
| 13  | 909 6851 000 | 1  | SQUEEGEE CPL ALU KIT 30"                       |
| 13  | L08603878    | 1  | SQUEEGEE COMPLETE KIT f. BA/CA 430S/510S       |
| 14  | 909 5372 000 | 1  | Walze kpl. 840MM/33KIT                         |
| 15  | 9098343000   | 1  | THIRD BLADE SQUEEGEE KIT D6/7                  |

INST.INSTR.9098337000

POSITIONS 0: 909 6483 000 - 909 6484 000 included in the kit 909 6860 000

POSITIONS 0: L08603830-L08603832 included in the kit 9097499000

# Accessories Extra pressure - Splash guard ki

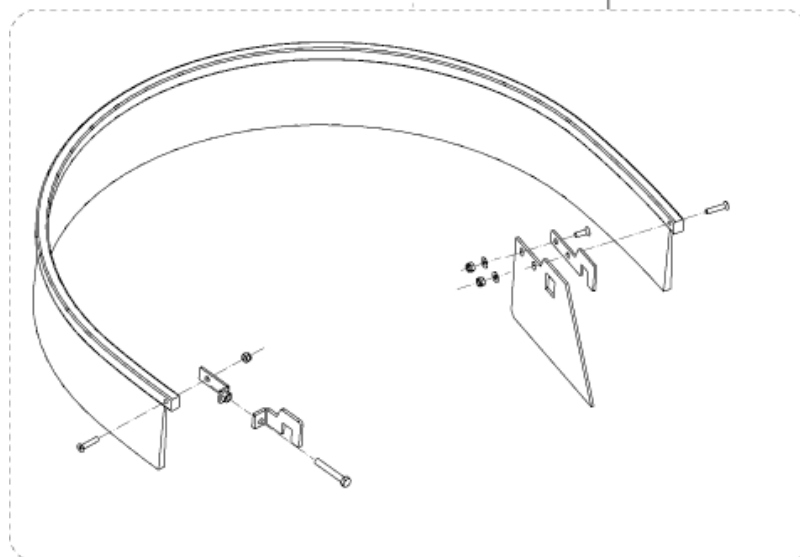
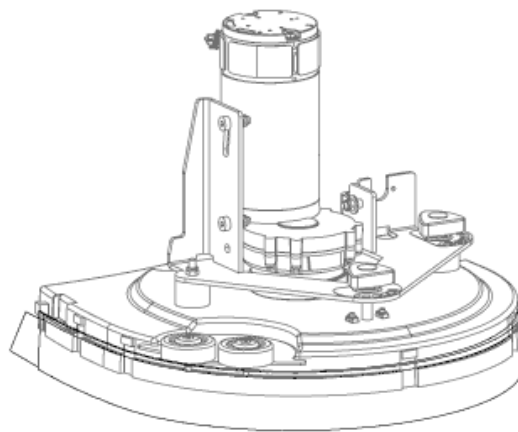
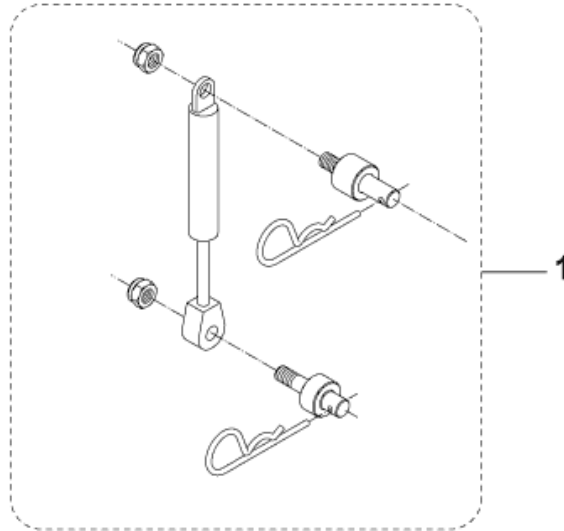
SCRUBTEC 653B - 653BL - 651BCL - 661BL

30-09-2014

ET-Liste-Nr.  
SCRUBTEC653B17

31

## EXTRA PRESSURE KIT (SCRUBTEC 653 B)



## SPLASH GUARD 20" KIT ( SCRUBTEC 653 B - SCRUBTEC 653 BL )

# Accessories Extra pressure - Splash guard kit

SCRUBTEC 653B - 653BL - 651BCL - 661BL

30-09-2014

ET-Liste-Nr.  
SCRUBTEC653B17

32

| Pos | Artikelnr.   | Me | Beschreibung                            |                         |
|-----|--------------|----|---|-------------------------|
| 1   | 9097186000   | 1  | PRESSURE EXTRA BRUSH KIT GAS SPRING 20K | INSTR.CODE 909 6759 000 |
| 2   | 909 6736 000 | 1  | SPLASH GUARD KIT 531-551                | INSTR.CODE 909 6745 000 |



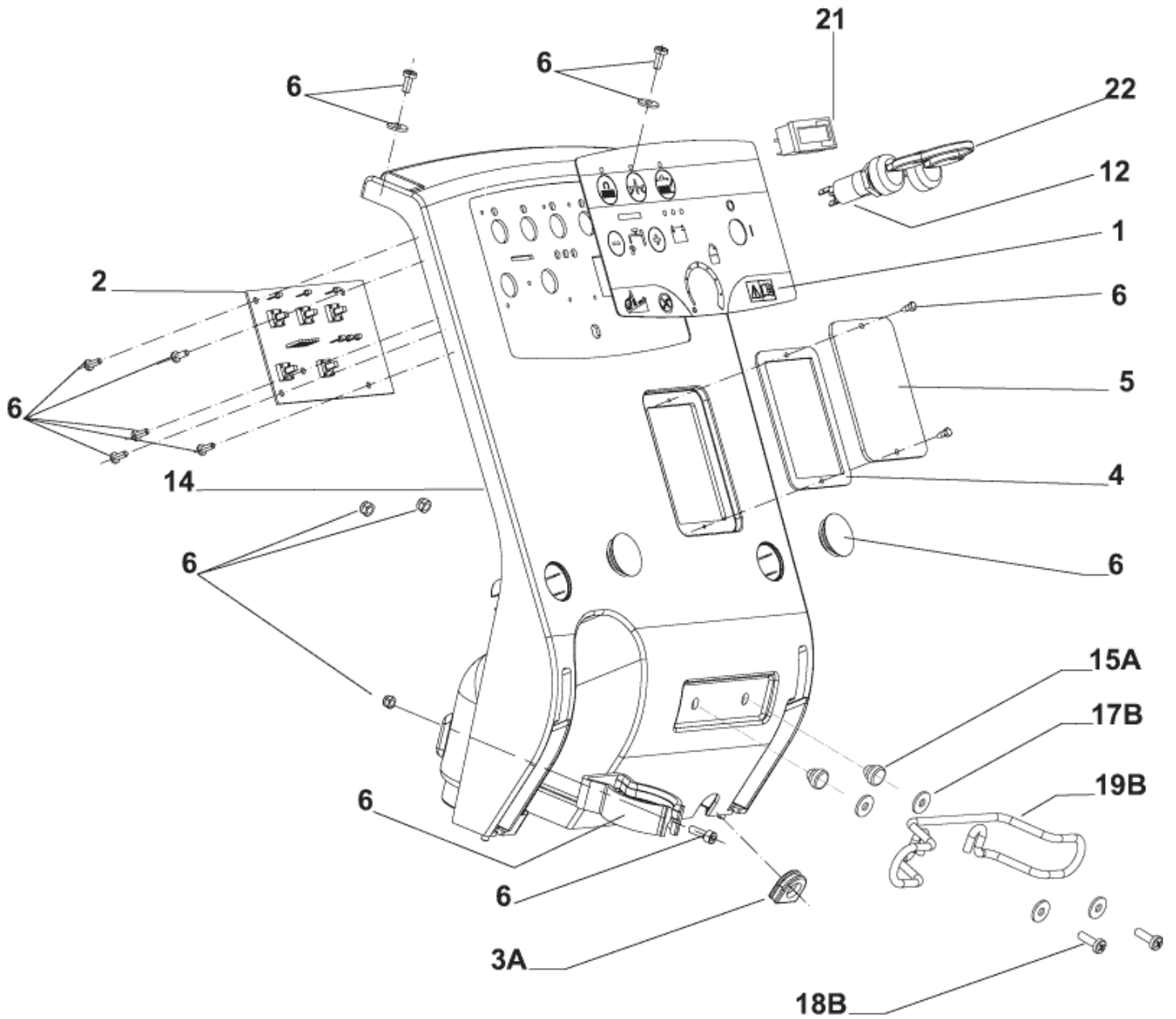
# Control panel system

SCRUBTEC 653B - 653BL - 651BCL - 661BL

30-09-2014

ET-Liste-Nr.  
SCRUBTEC653B19

33



# Control panel system

SCRUBTEC 653B - 653BL - 651BCL - 661BL

30-09-2014

ET-Liste-Nr.  
SCRUBTEC653B19

34

| Pos | Artikelnr.   | Me | Beschreibung  |
|-----|--------------|----|---|
| 0   | 145 8368 000 | 2  | Sicherung 3A Bedienelement                              |
| 0   | 909 6678 000 | 1  | Sicherung 20A GLASS DELAYED                             |
| 1   | 9097025000   | 1  | Bedienfeld  |
| 2   | 9100000176   | 1  | PLATINE FUNKTIONEN KIT                                  |
| 4   | 909 6545 000 | 1  | Dichtung  |
| 6   | 9098302000   | 1  | Bedienkonsolenkit                                       |
| 12  | 146 2888 000 | 1  | Schlüsselschalter Kappe                                 |
| 14  | 9098123000   | 1  | COVER EL.COMP. BLUE KIT                                 |
| 21  | 9096951000   | 1  | BETRIEBSSTUNDENZÄHLER<br>OPTION - INSTR.CODE 9096952000 |
| 22  | 146 2887 000 | 1  | KEY (2 PCS)   |
| 3A  | 909 6542 000 | 1  | Abdichtung Kabel  |
| 5A  | 909 6655 000 | 1  | Schauglas   |
| 15A | 909 6553 000 | 2  | Gummi   |
| 17B | 145 1261 000 | 4  | U-Scheibe   |
| 18B | 146 2090 000 | 2  | Schraube M5x16  |
| 19B | 909 5149 000 | 1  | Kabelführung  |

A ONLY VERSION WITHOUT BATTERY CHARGER ON BOARD  
B ONLY VERSION WITH BATTERY CHARGER ON BOARD

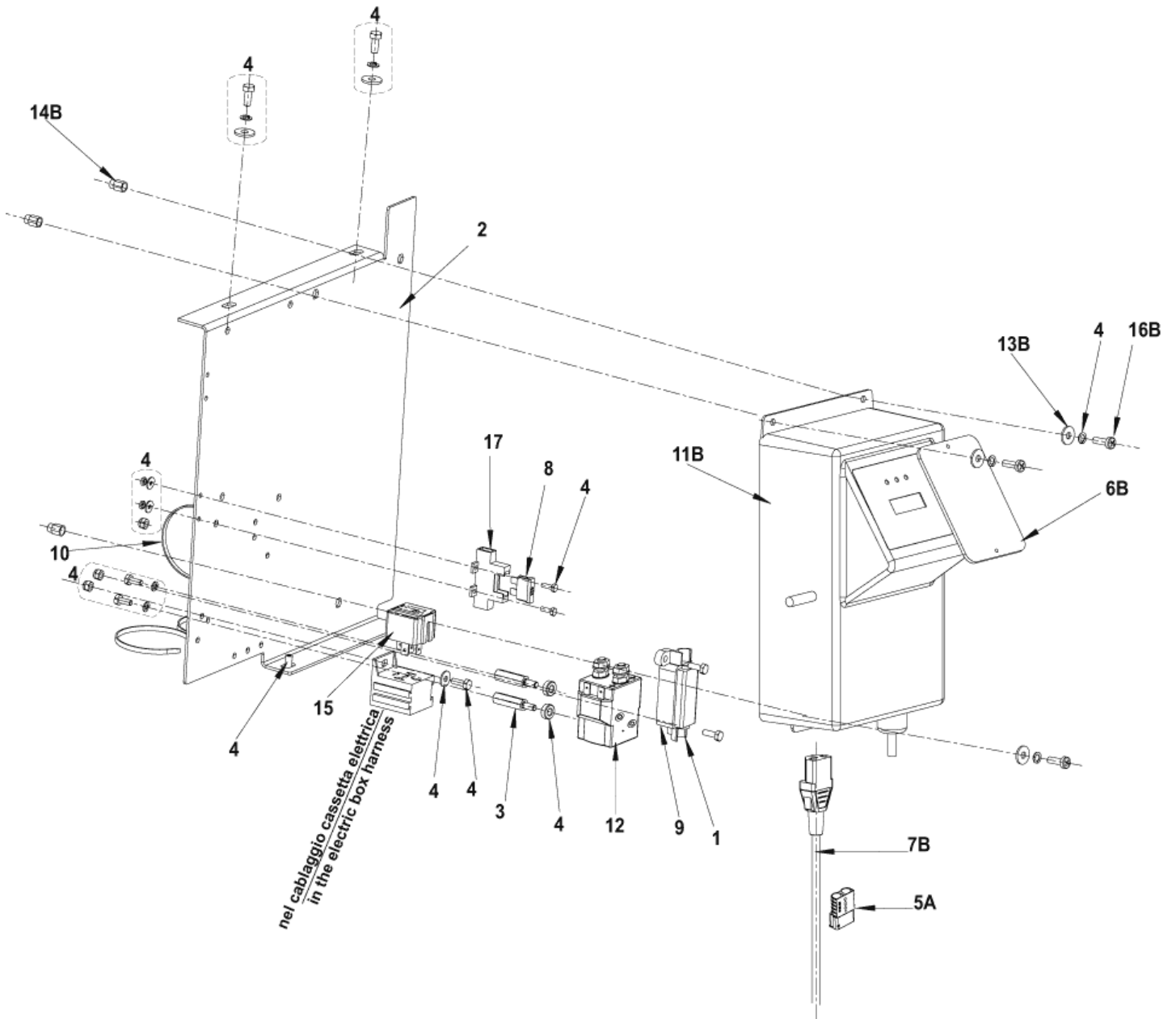
# Electrical components 653B

SCRUBTEC 653B - 653BL - 651BCL - 661BL

30-09-2014

ET-Liste-Nr.  
SCRUBTEC653B20

35



# Electrical components 653B

SCRUBTEC 653B - 653BL - 651BCL - 661BL

30-09-2014

ET-Liste-Nr.  
SCRUBTEC653B20

36

| Pos | Artikelnr.   | Me | Beschreibung                          |
|-----|--------------|----|---------------------------------------|
| 0   | 80564400     | 2  | DRYFIT MONOBLOC DF 12                 |
| 0   | 909 6613 000 | 1  | Harness Vacuum Motor                  |
| 0   | 909 6618 000 | 1  | Batteriekabelsatz                     |
| 0   | 9097034000   | 1  | RATCHET HANDLE ADJUSTER               |
| 0   | 9097036000   | 1  | Kabelbaum, Lenker                     |
| 0   | 9097038000   | 1  | HARNESS MACHINE                       |
| 0   | 9097590000   | 1  | Batterieverbindungskabel              |
| 1   | 145 8046 000 | 1  | HOLDER FUSE                           |
| 2   | 909 6498 000 | 1  | Support Electric                      |
| 3   | 909 6676 000 | 2  | Distanzbolzen                         |
| 4   | 9098303000   | 1  | Befestigungskit                       |
| 8   | 145 8513 000 | 1  | Sicherung 30A                         |
| 9   | 145 3824 000 | 1  | Sicherung Strip 40A                   |
| 10  | 145 1449 000 | 3  | TIE CABLE 3.6x140 BLACK               |
| 12  | 9097209000   | 1  | SWITCH ELECTROMAGNETIC 24V            |
| 15  | 909 6622 000 | 1  | RELAY 24V 40A                         |
| 17  | 146 0660 000 | 2  | Sicherungshalter                      |
| 5A  | 9098762000   | 1  | Stecker 120A ROT                      |
| 6B  | 909 5313 000 | 1  | PLATE INSPECTION TRANSP. gerät        |
| 7B  | 909 5633 000 | 1  | CABLE EXTENSION                       |
| 7B  | 909 5676 000 | 1  | Kabel Ex. Plug                        |
| 11B | 9098297000   | 1  | CHARGER BATTERY ON BOARD 24V 13A 240V |
| 13B | 33005912     | 3  | Unterlegscheibe M5                    |
| 14B | 145 6132 000 | 3  | INSERT M5                             |
| 16B | 146 1711 000 | 3  | SCREW M5X20 UNI7687                   |

A ONLY VERSION WITHOUT BATTERY CHARGER ON BOARD

B ONLY VERSION WITH BATTERY CHARGER ON BOARD

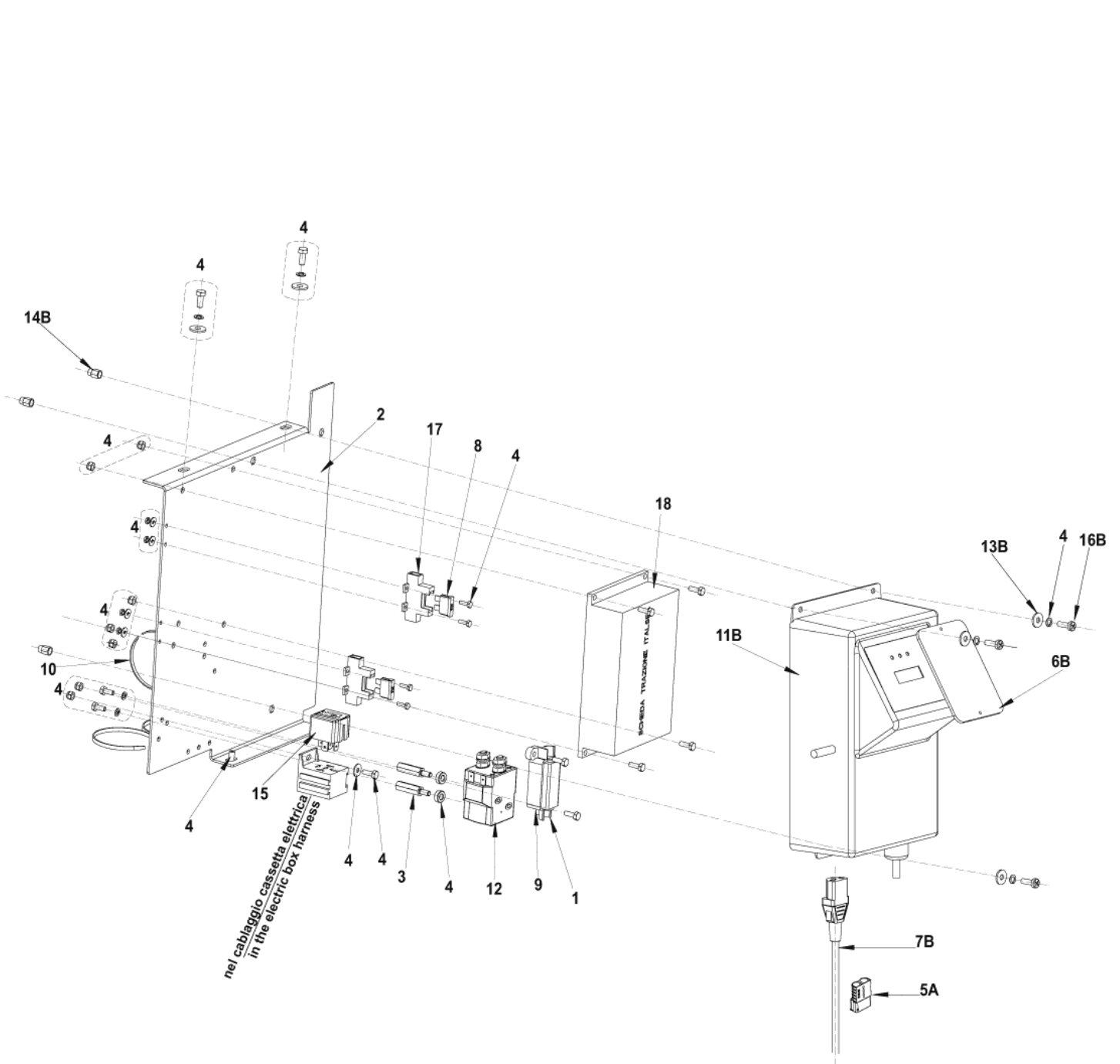
# Electrical components 653BL-651BCL-661BL

SCRUBTEC 653B - 653BL - 651BCL - 661BL

30-09-2014

ET-Liste-Nr.  
SCRUBTEC653B21

37



# Electrical components 653BL-651BCL-661BL

SCRUBTEC 653B - 653BL - 651BCL - 661BL

30-09-2014

ET-Liste-Nr.  
SCRUBTEC653B21

38

| Pos | Artikelnr.   | Me | Beschreibung                               |
|-----|--------------|----|--|
| 0   | 909 6613 000 | 1  | Harness Vacuum Motor                       |
| 0   | 909 6618 000 | 1  | Batteriekabelsatz                          |
| 0   | 9096962000   | 1  | Kabelbaum                                  |
| 0   | 9096964000   | 1  | HARNESS ELECTRIC BOX                       |
| 0   | 9097035000   | 1  | Kabelbaum Gelenkachse                      |
| 0   | 9097590000   | 1  | Batterieverbindungskabel                   |
| 1   | 145 8046 000 | 1  | HOLDER FUSE                                |
| 2   | 909 6498 000 | 1  | Support Electric                           |
| 3   | 909 6676 000 | 2  | Distanzbolzen                              |
| 4   | 9098303000   | 1  | Befestigungskit                            |
|     |              |    | contains all Hardware shown in this system |
| 8   | 145 8513 000 | 1  | Sicherung 30A                              |
| 9   | 145 3824 000 | 1  | Sicherung Strip 40A                        |
| 10  | 145 1449 000 | 3  | TIE CABLE 3.6x140 BLACK                    |
| 12  | 9097209000   | 1  | SWITCH ELECTROMAGNETIC 24V                 |
| 15  | 909 6622 000 | 1  | RELAY 24V 40A                              |
| 17  | 146 0660 000 | 2  | Sicherungshalter                           |
| 18  | 9100000173   | 1  | CARD ELECTRONIC TRACTION KIT               |
| 5A  | 9098762000   | 1  | Stecker 120A ROT                           |
| 6B  | 909 5313 000 | 1  | PLATE INSPECTION TRANSP. gerät             |
| 7B  | 909 5633 000 | 1  | CABLE EXTENSION                            |
| 7B  | 909 5676 000 | 1  | Kabel Ex. Plug                             |
| 11B | 9098297000   | 1  | CHARGER BATTERY ON BOARD 24V 13A 240V      |
| 13B | 33005912     | 3  | Unterlegscheibe M5                         |
| 14B | 145 6132 000 | 3  | INSERT M5                                  |
| 16B | 146 1711 000 | 3  | SCREW M5X20 UNI7687                        |

A ONLY VERSION WITHOUT BATTERY CHARGER ON BOARD

B ONLY VERSION WITH BATTERY CHARGER ON BOARD

# Accessory: Battery charger

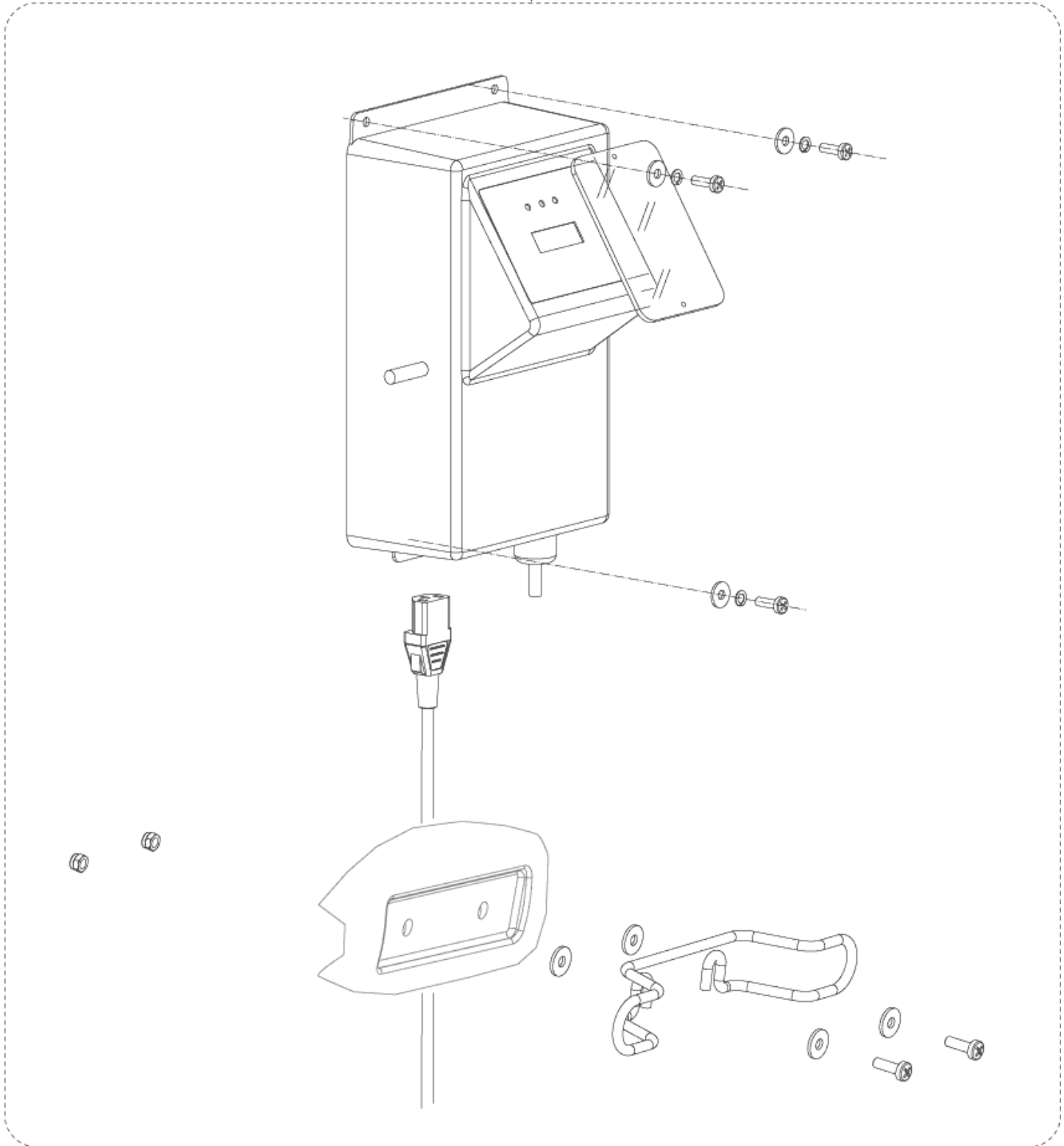
SCRUBTEC 653B - 653BL - 651BCL - 661BL

30-09-2014

ET-Liste-Nr.  
SCRUBTEC653B22

39

1



# Accessory: Battery charger

SCRUBTEC 653B - 653BL - 651BCL - 661BL

30-09-2014

ET-Liste-Nr.  
SCRUBTEC653BZZ

40

| Pos | Artikelnr.   | Me | Beschreibung                             |                         |
|-----|--------------|----|--|-------------------------|
| 1   | 909 6739 000 | 1  | CHARGER BATTERY CPL KIT Ladegerät Einbau | INSTR.CODE 909 6746 000 |



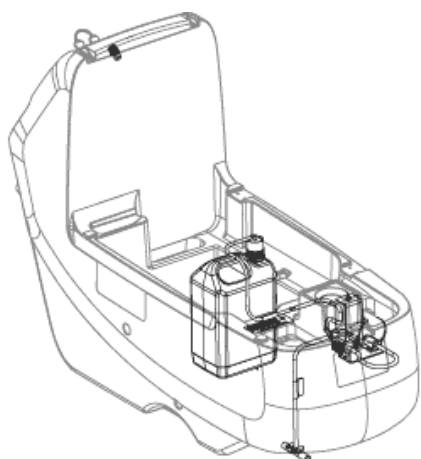
# Accessories chemical mixing system 653BL-653E

SCRUBTEC 653B - 653BL - 651BCL - 661BL

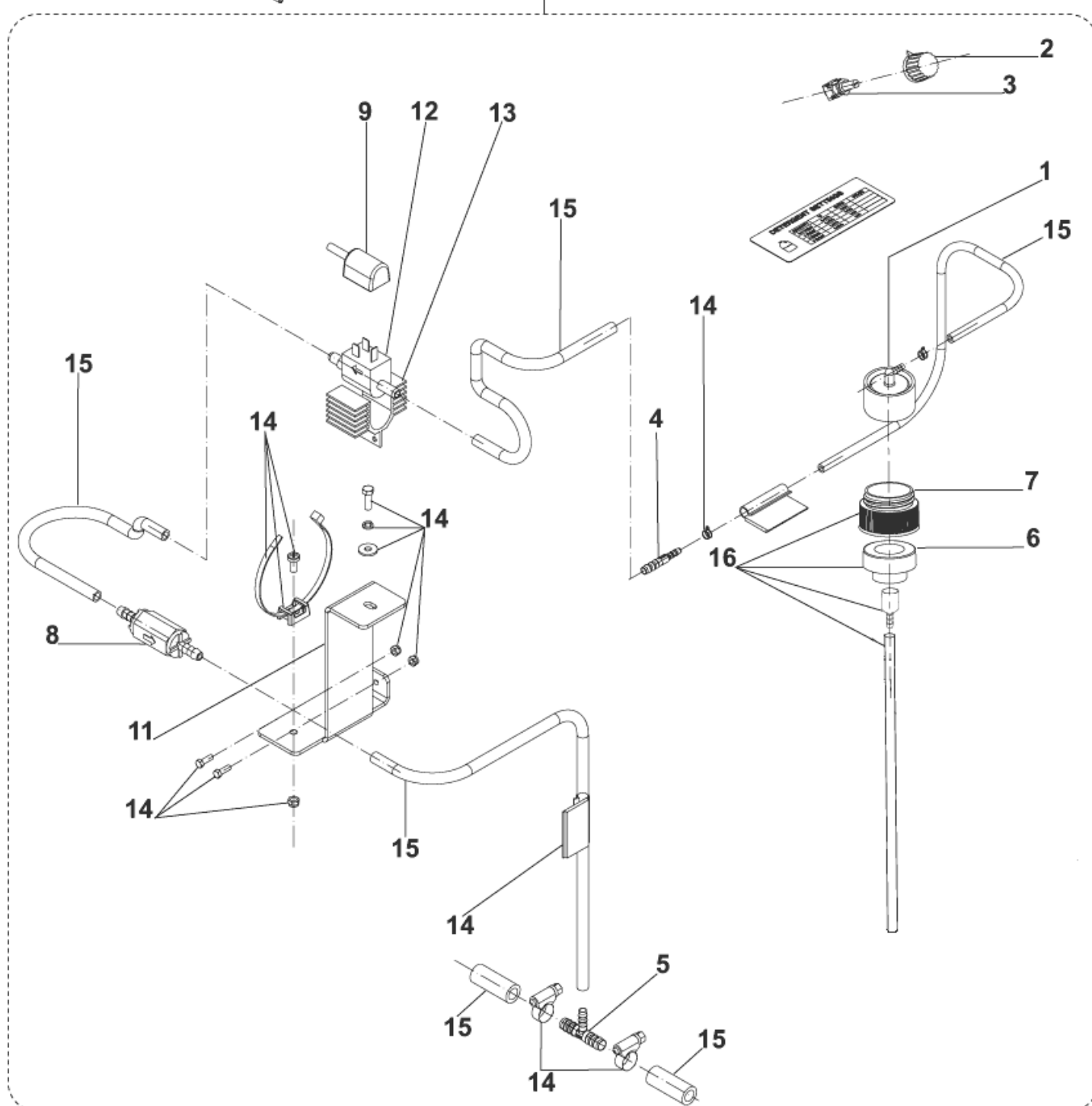
30-09-2014

ET-Liste-Nr.  
SCRUBTEC653B23

41



17



# Accessories chemical mixing system 653BL-653B

SCRUBTEC 653B - 653BL - 651BCL - 661BL

30-09-2014

ET-Liste-Nr.  
SCRUBTEC653BZ3

42

| Pos | Artikelnr.   | Me | Beschreibung                        |
|-----|--------------|----|-------------------------------------|
| 0   | 9097041000   | 1  | HARNESS CHEMICAL PUMP               |
| 1   | 56315523     | 1  | Deckel EDS-Schwimmer                |
| 2   | 145 4719 000 | 1  | Drehknopf zuPotentiometer           |
| 3   | 909 6076 000 | 1  | Potentiometer BR 601                |
| 4   | 909 6090 000 | 1  | HOLDER RUBBER STRAIGHT              |
| 5   | 909 6092 000 | 1  | T- Stück                            |
| 6   | 9097022000   | 1  | Niveauf ühler                       |
| 7   | 9097023000   | 1  | Adapter f. Chemie Tank              |
| 8   | 9097030000   | 1  | Ventil 1/4 "Chemiesteuerung         |
| 9   | 9097041000   | 1  | HARNESS CHEMICAL PUMP               |
| 11  | 9097084000   | 1  | BRACKET PUMP SUPPORT                |
| 12  | 53721A       | 1  | PUMP CHEMICAL                       |
| 13  | 61772A       | 1  | Halter Reinigungs- mittelpumpe      |
| 14  | 9098495000   | 1  | HARDWARE CHEMICAL MIXING SYSTEM KIT |
| 15  | 9097175000   | 1  | HOSES CHEMICAL MIX KIT              |
| 16  | 9098025000   | 1  | Reduzierstück f. Chemieschlauch     |
| 17  | 9097160000   | 1  | CHEMICAL MIXING SYSTEM mischsystem  |

INSTR.CODE 9097159000

# EMPFOHLENE ERSATZTEILE

SCRUBTEC 653B - 653BL - 651BCL - 661BL

30-09-2014

ET-Liste-Nr.  
SCRUBTEC653B24

43

Keine Zeichnung zur ET-Liste

# EMPFOHLENE ERSATZTEILE

SCRUBTEC 653B - 653BL - 651BCL - 661BL

30-09-2014

ET-Liste-Nr.  
SCRUBTEC653B24

44

| Pos | Artikelnr.   | Me | Beschreibung                    |                                  |
|-----|--------------|----|---------------------------------|----------------------------------|
| 1   | 9098265000   | 1  | HARDWARE SOLUTION TANK KIT      | SCRUBTEC 653B-653BL-651BCL-661BL |
| 2   | 909 6874 000 | 1  | CABLE TANK KIT                  | SCRUBTEC 653B-653BL-651BCL-661BL |
| 3   | 909 6521 000 | 1  | Frischwasserschlauch            | SCRUBTEC 653B-653BL-651BCL-661BL |
| 4   | L08812457    | 2  | CAP,TANK LOCKING                | SCRUBTEC 653B-653BL-651BCL-661BL |
| 5   | 9099853000   | 1  | Saugschlauch schwarz KIT        | SCRUBTEC 653B-653BL-651BCL-661BL |
| 6   | 9099166000   | 1  | Ablaufschlauch RAL 9005         | SCRUBTEC 653B-653BL-651BCL-661BL |
| 7   | L08812259    | 2  | CAGE,FLOAT CP                   | SCRUBTEC 653B-653BL-651BCL-661BL |
| 8   | L08812373    | 1  | BALL FLOATING                   | SCRUBTEC 653B-653BL-651BCL-661BL |
| 9   | 9097724000   | 1  | Schwimmer Halter Kit            | SCRUBTEC 653B-653BL-651BCL-661BL |
| 10  | 145 0543 000 | 3  | CLAMP 14/32-52                  | SCRUBTEC 653B-653BL-651BCL-661BL |
| 11  | 9099401000   | 1  | MOTOR VACUUM KIT                | SCRUBTEC 653B-653BL-651BCL-661BL |
| 12  | 909 5371 000 | 1  | CARBON BRUSH                    | SCRUBTEC 653B-653BL-651BCL-661BL |
| 13  | 909 6491 000 | 1  | PANEL,ACOUSTIC INSULATION       | SCRUBTEC 653B-653BL-651BCL-661BL |
| 14  | 9096918000   | 1  | Dichtung f. Motor               | SCRUBTEC 653B-653BL-651BCL-661BL |
| 15  | 909 6672 000 | 1  | FILTER                          | SCRUBTEC 653B-653BL-651BCL-661BL |
| 16  | 909 6876 000 | 1  | Befestigungskit                 | SCRUBTEC 653B-653BL-651BCL-661BL |
| 17  | 909 6877 000 | 1  | Motor Befestigungskit           | SCRUBTEC 653B-653BL-651BCL-661BL |
| 18  | 909 6880 000 | 1  | Lenkrollen Kit                  | SCRUBTEC 653BL-651BCL-661BL      |
| 19  | 909 6880 000 | 1  | Lenkrollen Kit                  | SCRUBTEC 653B                    |
| 20  | 909 6878 000 | 1  | Satz Befestigungsteile          | SCRUBTEC 653B-653BL-651BCL-661BL |
| 21  | 909 6548 000 | 1  | MOTOR DRIVE 200W 24V 200W/24V   | SCRUBTEC 653BL-651BCL-661BL      |
| 22  | 145 5124 000 | 2  | Kohlebürste 2 Stück             | SCRUBTEC 653BL-651BCL-661BL      |
| 23  | 9099691000   | 1  | Radkit                          | SCRUBTEC 653BL-651BCL-661BL      |
| 24  | 9097085000   | 2  | Vorderrad D.250, ohne Antrieb   | SCRUBTEC 653B                    |
| 25  | 9097043000   | 1  | POTENTIOMETER                   | SCRUBTEC 653BL-651BCL-661BL      |
| 26  | 9098330000   | 1  | Bediengriff-Set Maschine        | SCRUBTEC 653B-653BL-651BCL-661BL |
| 27  | 9097154000   | 1  | FILTER COMPLETE KIT             | SCRUBTEC 653B-653BL-651BCL-661BL |
| 28  | 9097171000   | 1  | PIPES SOLENOID VALVE KIT        | SCRUBTEC 653B-653BL-651BCL-661BL |
| 29  | 909 6555 000 | 1  | SOLENOID VALVE 24V              | SCRUBTEC 653B-653BL-651BCL-661BL |
| 30  | 9098777000   | 1  | Anschlusswinkel 90 GRAD.KIT     | SCRUBTEC 653B-653BL-651BCL-661BL |
| 31  | 909 6055 000 | 1  | Halteband f. Gummilippe         | SCRUBTEC 653B-653BL-651BCL       |
| 32  | 909 6044 000 | 1  | WELDMENT.SQUEEGEE TOOL          | SCRUBTEC 653B-653BL-651BCL       |
| 33  | 9097637000   | 1  | SQUEEGEE FIXING KIT             | SCRUBTEC 653B-653BL-651BCL-661BL |
| 34  | 909 6551 000 | 1  | Drehknopf M8X30 SS              | SCRUBTEC 653B-653BL-651BCL       |
| 37  | 909 6851 000 | 1  | SQUEEGEE CPL ALU KIT 30"        | SCRUBTEC 653B-653BL-651BCL       |
| 38  | 909 6882 000 | 1  | HARDWARE SQU.BLADE FIXING KIT   | SCRUBTEC 653B-653BL-651BCL       |
| 39  | 909 6883 000 | 1  | WHEELS SQUEEGEE KIT             | SCRUBTEC 653B-653BL-651BCL       |
| 40  | 909 6884 000 | 1  | Abweisrolle - KIT               | SCRUBTEC 653B-653BL-651BCL       |
| 41  | 909 6885 000 | 1  | HARDWARE SQUEEGEE FIXING KIT    | SCRUBTEC 653B-653BL-651BCL       |
| 42  | 909 6394 000 | 1  | LATCH SQUEEGEE KIT              | SCRUBTEC 653B-653BL-651BCL       |
| 43  | 909 5372 000 | 1  | Walze kpl. 840MM/33KIT          | SCRUBTEC 661BL                   |
| 46  | 909 5294 000 | 1  | Absaugdüsenkörper               | SCRUBTEC 661BL                   |
| 47  | 9097078000   | 1  | Bürstenabdeckung schwarz 530 mm | SCRUBTEC 653B-653BL              |

POSITION 35-36: 909 6484 000 - 909 6483 000 included in the KIT 909 6860 000

POSITION 44-45: L08603830 - L08603832 included in the KIT 9097499000

# EMPFOHLENE ERSATZTEILE

SCRUBTEC 653B - 653BL - 651BCL - 661BL

30-09-2014

ET-Liste-Nr.  
SCRUBTEC653B24

45

| Pos | Artikelnr.   | Me | Beschreibung                             |  |
|-----|--------------|----|--|--|
| 48  | 9098376000   | 1  | CARBON BRUSHES KIT 4 PCS                 | SCRUBTEC 653B-653BL                    |
| 49  | 9098308000   | 1  | REDUCTION GEARMOTOR 450W 24V             | SCRUBTEC 653B-653BL                    |
| 50  | 909 6355 000 | 2  | Abstandsrolle KIT                        | SCRUBTEC 653B-653BL                    |
| 51  | 9097184000   | 1  | VIBRATION DAMPING M8 60SH                | SCRUBTEC 653B-653BL                    |
| 52  | 9099419000   | 1  | HARDWARE BRUSH DECK SYST.KIT Bürstendeck | SCRUBTEC 653B-653BL                    |
| 53  | 909 5637 000 | 1  | Feder                                    | SCRUBTEC 653BL                         |
| 54  | 9097025000   | 1  | Bedienfeld                               | SCRUBTEC 653B-653BL-651BCL-661BL       |
| 55  | 146 2888 000 | 1  | Schlüsselschalter Kappe                  | SCRUBTEC 653B-653BL-651BCL-661BL       |
| 56  | 9100000176   | 1  | PLATINE FUNKTIONEN KIT                   | SCRUBTEC 653B-653BL-651BCL-661BL       |
| 57  | 145 8368 000 | 1  | Sicherung 3A Bedienelement               | SCRUBTEC 653B-653BL-651BCL-661BL       |
| 58  | 909 6678 000 | 1  | Sicherung 20A GLASS DELAYED              | SCRUBTEC 653B-653BL-651BCL-661BL       |
| 59  | 9100000173   | 1  | CARD ELECTRONIC TRACTION KIT             | SCRUBTEC 653BL-651BCL-661BL            |
| 60  | 9098762000   | 1  | Stecker 120A ROT                         | SCRUBTEC 653B-653BL-651BCL-661BL       |
| 61  | 9097209000   | 1  | SWITCH ELECTROMAGNETIC 24V               | SCRUBTEC 653B-653BL-651BCL-661BL       |
| 62  | 909 6622 000 | 1  | RELAY 24V 40A                            | SCRUBTEC 653B-653BL-651BCL-661BL       |
| 63  | 145 3824 000 | 1  | Sicherung Strip 40A                      | SCRUBTEC 653B-653BL-651BCL-661BL       |
| 64  | 145 8513 000 | 1  | Sicherung 30A                            | SCRUBTEC 653B-653BL-651BCL-661BL       |
| 65  | 9098297000   | 1  | CHARGER BATTERY ON BOARD 24V 13A 240V    | ALL SCRUBTEC WBATTERY CHARGER ON BOARD |

POSITION 35-36: 909 6484 000 - 909 6483 000 included in the KIT 909 6860 000

POSITION 44-45: L08603830 - L08603832 included in the KIT 9097499000

# Accessories list

SCRUBTEC 653B - 653BL - 651BCL - 661BL

30-09-2014

ET-Liste-Nr.  
SCRUBTEC653B25

46

Keine Zeichnung zur ET-Liste

# Accessories list

SCRUBTEC 653B - 653BL - 651BCL - 661BL

30-09-2014

ET-Liste-Nr.  
SCRUBTEC653B25

47

| Pos | Artikelnr.   | Me | Beschreibung                                     |                                  |
|-----|--------------|----|--|----------------------------------|
| 1   | 909 5065 000 | 1  | FILTER ANTIFOAMING                               | SCRUBTEC 653B-653BL-651BCL-661BL |
| 2   | 9098947000   | 1  | Lenkrolle Kit                                    | SCRUBTEC 653B-653BL-651BCL-661BL |
| 3   | 9096916000   | 1  | FILTER SOLUTION TANK Frischwassertank            | SCRUBTEC 653B-653BL-651BCL-661BL |
| 4   | 9097160000   | 1  | CHEMICAL MIXING SYSTEM mischsystem               | SCRUBTEC 653B-653BL-651BCL-661BL |
| 5   | 9097175000   | 1  | HOSES CHEMICAL MIX KIT                           | SCRUBTEC 653B-653BL-651BCL-661BL |
| 6   | 9097181000   | 1  | DECK BRUSH 530MM/21 KIT W.SQU.                   | SCRUBTEC 653BL                   |
| 7   | L08837025    | 1  | BRUSH PROLENE 530MM                              | SCRUBTEC 653B-653BL              |
| 8   | L08837026    | 1  | BRUSH PROLITE 530MM                              | SCRUBTEC 653B-653BL              |
| 9   | L08837027    | 1  | BRUSH UNION MIX 530MM Ø 530 mm                   | SCRUBTEC 653B-653BL              |
| 10  | L08837028    | 1  | BRUSH, MIDLITE 180 GRIT Light Grit               | SCRUBTEC 653B-653BL              |
| 11  | L08837029    | 1  | BRUSH, MIDGRIT MEDIUM Clean Grit                 | SCRUBTEC 653B-653BL              |
| 12  | L08837065    | 1  | BRUSH MAGNA GRIT 46 530MM Super Grit             | SCRUBTEC 653B-653BL              |
| 13  | L08837066    | 1  | BRUSH DYNA GRIT 80 530MM f. BA 550               | SCRUBTEC 653B-653BL              |
| 14  | L08837067    | 1  | BRUSH ASLIDEE GRIT 500 f. BA 550                 | SCRUBTEC 653B-653BL              |
| 15  | 9099671000   | 1  | Padhalter 21" 530mm                              | SCRUBTEC 653B-653BL              |
| 16  | 909 6849 000 | 1  | Bürstenaggregat Absaug- leiste f. BA551C (Kit)   | SCRUBTEC 651BCL                  |
| 17  | 909 5823 000 | 2  | BÜRSTE CYL. PPL 0.4 20"                          | SCRUBTEC 651BCL                  |
| 18  | 909 5824 000 | 2  | BRUSH CYL. NYLON 0.45 20" Nylon 0.45 20"         | SCRUBTEC 651BCL                  |
| 19  | 909 5825 000 | 2  | BRUSH CYL. ABRASIVE 0.60 20" 0.60 20"            | SCRUBTEC 651BCL                  |
| 20  | 9097183000   | 1  | Bürstendeck BA 611 Absaugleiste                  | SCRUBTEC 661BL                   |
| 21  | L08603842    | 2  | BRUSH PROLENE 305MM                              | SCRUBTEC 661BL                   |
| 22  | L08603873    | 2  | BRUSH MIDGRIT 240 305MM Clean Grit               | SCRUBTEC 661BL                   |
| 23  | L08603872    | 2  | BRUSH MIDLITE GRIT180 Super Grit                 | SCRUBTEC 661BL                   |
| 24  | L08603874    | 2  | BRUSH PROLITE 305MM PP weich                     | SCRUBTEC 661BL                   |
| 25  | L08603875    | 2  | BRUSH UNION MIX 305MM Ø 305 mm                   | SCRUBTEC 661BL                   |
| 26  | L08603939    | 2  | Treibteller D305mm Kit                           | SCRUBTEC 661BL                   |
| 27  | L08603878    | 1  | SQUEEGEE COMPLETE KIT f. BA/CA 430S/510S         | SCRUBTEC 653B-653BL-651BCL       |
| 28  | 909 6851 000 | 1  | SQUEEGEE CPL ALU KIT 30"                         | SCRUBTEC 653B-653BL-651BCL       |
| 29  | 9100000279   | 1  | BLADES NON MARKING 740MM/29 KIT                  | SCRUBTEC 653B-653BL-651BCL       |
| 30  | 909 6858 000 | 1  | Sauglippenset Poly urethan                       | SCRUBTEC 653B-653BL-651BCL       |
| 31  | 9098343000   | 1  | THIRD BLADE SQUEEGEE KIT D6/7                    | SCRUBTEC 653B-653BL-651BCL-661BL |
| 32  | 909 6736 000 | 1  | SPLASH GUARD KIT 531-551                         | SCRUBTEC 653B-653BL              |
| 33  | 9097186000   | 1  | PRESSURE EXTRA BRUSH KIT GAS SPRING 20K          | SCRUBTEC 653B                    |
| 34  | 9096951000   | 1  | BETRIEBSSTUNDENZÄHLER                            | SCRUBTEC 653B-653BL-651BCL-661BL |
| 35  | 9097026000   | 2  | WHEEL FRONT D.250 DRIVE u. bessere Trakt. Ø250mm | BTEC 653BL-651BCL-661BL          |
| 36  | 9097599000   | 1  | Motorschutz Kit nicht mehr lieferbar             | SCRUBTEC 653B-653BL              |
| 37  | 9098854000   | 1  | Winkel für Schlauch KIT                          | TSB IT 2010-061                  |
| 38  | 9100000335   | 1  | STRAP ANTISTATIC KIT                             |                                  |