**DESCRIPTION****PLAN**

Handle, line drawings

D - 2.9.1 - 2

Handle

D - 2.9.1 - 3

Base part with motor, line drawings

D - 2.9.1 - 4

Base part with motor

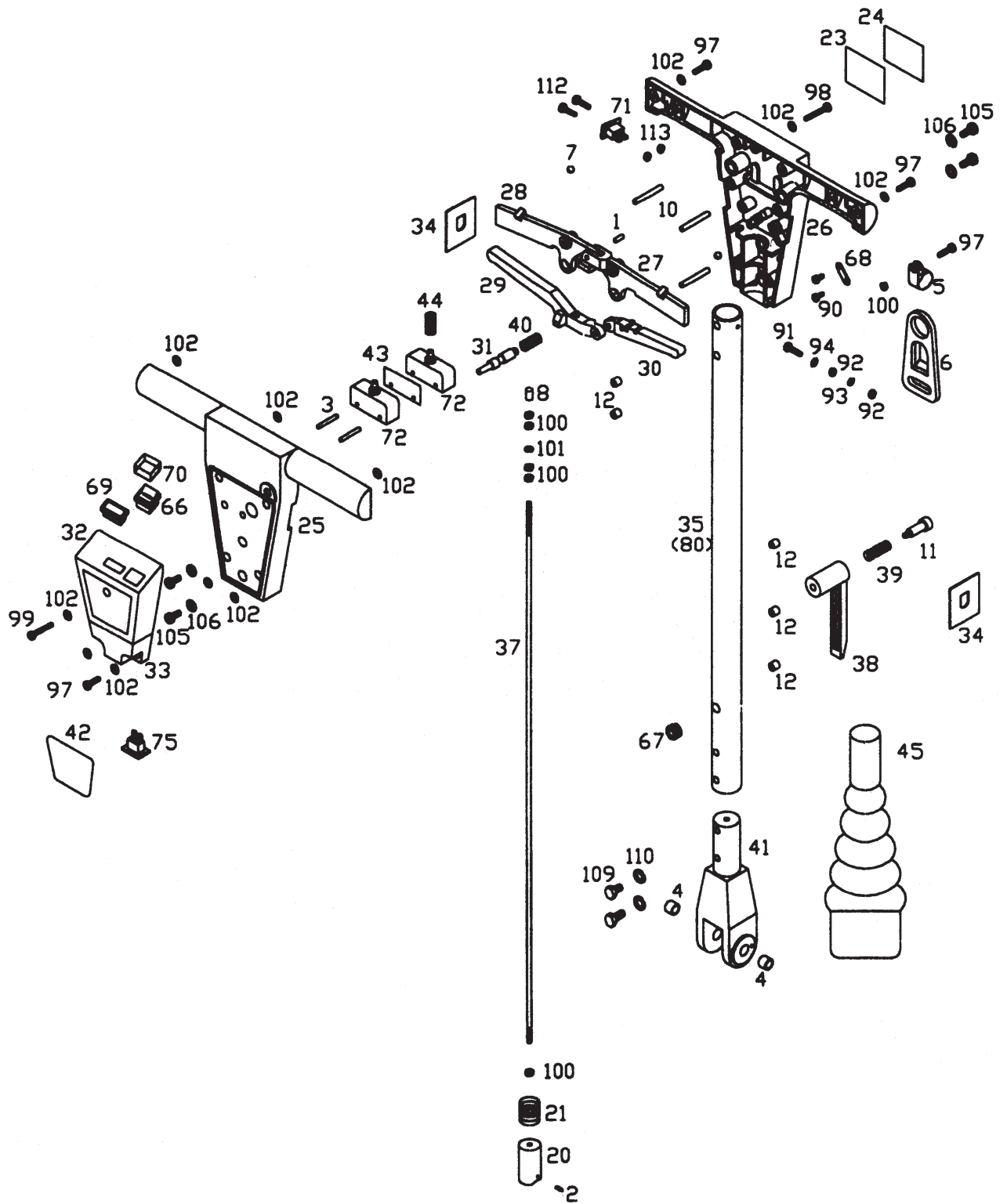
D - 2.9.1 - 5

Vac mount and skirt, line drawings

D - 2.9.1 - 6

Vac mount and skirt

D - 2.9.1 - 7



D

2.9.1

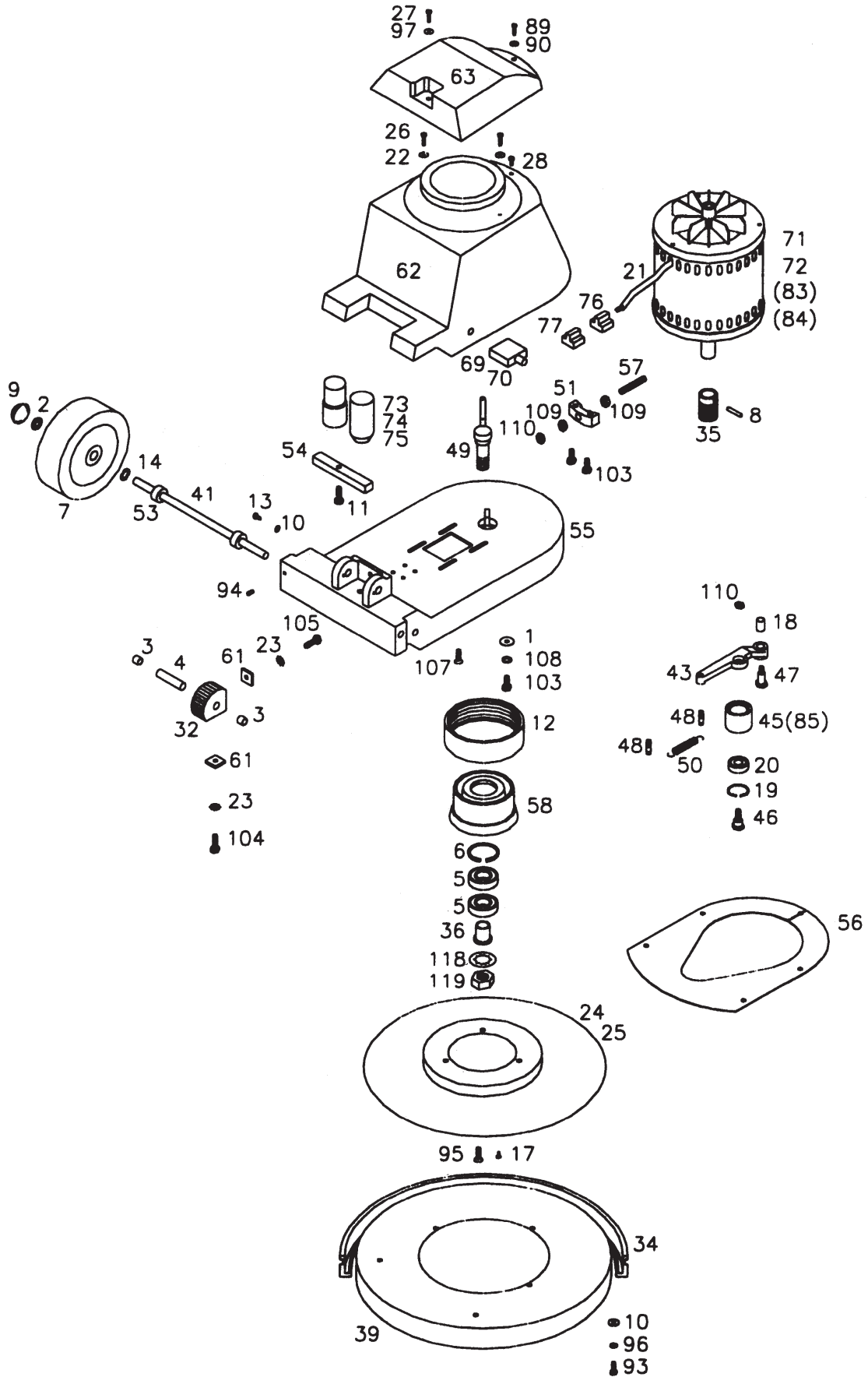
3

HANDLE, SPARE PARTS

Item No.	QTY. PER.	PART NO.	DESCRIPTION	Item No.	QTY. PER.	PART NO.	DESCRIPTION
1	1	143 3503 000	SPIROL PIN 5 DIA x 20 LG	66	1	140 5496 000	ROCKER SWITCH
2	1	143 3501 000	PIN 3 DIA x 10 LG	67	1	143 2994 000	GROMMET
3	2	142 2883 000	DOWEL PIN 4 DIA x 32 LG	68	2	82361900	CABLE CLAMP
4	2	142 2872 000	BEARING 12 BORE x 12 LG	69	1	82338600	NEON INDICATOR
5	1	142 2895 000	P' CLIP	70	1	140 5497 000	PLASTIC SWITCH COVER
6	1	142 2857 000	CABLE STRAIN RELIEF BRACKET	71	1	142 2621 000	OUTLET SOCKET
7	2	142 2890 000	MILD STEEL BALL BEARING 10 DIA	72	2	142 2881 000	PLUNGER MINI-SWITCH
8	1	142 2887 000	END CAP	73	1	82334200	CORD SET 15M x 1.5 x 3 (230V) N/S (UK)
9	1	82332700	NYLON WASHER	74	1	82334300	CORD SET 15M x 1.5 x 3 (220V) N/S (EU)
10	3	142 2875 000	DOWEL PIN 6 DIA x 45 LG	75	1	142 2853 000	16 AMP INPUT SOCKET
11	1	143 3519 000	M6/8 x 30 LG SHOULDER SCREW	76			
12	5	143 3540 000	TRI-LOBE FASTENER	77			
13	1	82332800	POP RIVET	78			
14	2	82332900	SCREW NO.6 x 3/8" S/T FLANGED	79			
15				80			
16				81	1	82334400	MAIN DROP LEAD
17				82	1	82334500	VACUUM DROP LEAD
18				83	1	142 2878 000	PAIR OF LIVE LINK WIRES
19				84	1	142 2880 000	PAIR OF NEUTRAL LINK WIRES
20	1	142 2842 000	GEAR DOG	85	1	142 2877 000	LIVE LINK WIRE
21	1	142 2844 000	GEAR DOG SPRING	86	1	142 2860 000	EARTH LINK WIRE
22				87	1	142 2879 000	NEUTRAL LINK WIRE
23	1	82333000	IDENT LABEL	88			
24	1	142 2799 000	IDENT LABEL SKIN	89			
25	1	82333100	CONTROL BOX FRONT	90	4	143 3504 000	M4 x 10 LG PAN HD POZI SCREW
26	1	82333200	CONTROL BOX REAR	91	2	143 2941 000	M4 x 16 LG PAN HD POZI SCREW
27	1	142 2850 000	INTERLOCK TRIGGER	92	4	143 2120 000	M4 FULL NUT
28	1	142 2851 000	SECOND TRIGGER	93	2	82334600	M4 S/COIL WASHER
29	1	142 2885 000	GEAR OPERATING LEVER	94	2	143 2374 000	M4 EXT SHAKEPROOF WASHER
30	1	142 2884 000	WATER LEVER	95			
31	1	142 2889 000	INTERLOCK BUTTON	96			
32	1	82333300	SWITCH COVER TOP	97	5	143 3515 000	M5 x 10 LG PAN HD POZI SCREW
33	1	82333400	SWITCH COVER BOTTOM	98	5	143 3516 000	M5 x 35 LG PAN HD POZI SCREW
34	2	82333500	GEAR & WATER LEVER COVER	99	1	143 3517 000	M5 x 45 LG PAN HD POZI SCREW
35	1	82333600	HANDLE TUBE	100	6	143 3502 000	M5 FULL NUT
36	1	82333700	TANK LOCKING SLEEVE	101	1	143 1052 000	M5 PLAIN WASHER
37	1	142 2843 000	ADJUSTING GEAR ROD	102	11	143 2953 000	M5 INT SHAKEPROOF WASHER
38	1	142 2859 000	CABLE WINDER	103			
39	1	142 2858 000	CABLE WINDER SPRING	104			
40	1	142 2888 000	INTERLOCK SPRING	105	4	143 2315 000	M6 x 16 LG PAN HD POZI SCREW
41	1	82333900	AXLE FORK	106	4	82334700	M6 INT SHAKEPROOF WASHER
42	1	82334000	TOP SWITCH COVER DECAL	107			
43	1	142 2882 000	INSULATION CARD	108			
44	1	82334100	TRIGGER RETURN SPRING	109	2	82334800	M8 x 20 LG HEX HD SCREW
45	1	82333800	SPECIAL BELLOWS	110	2	82334900	M8 S/COIL WASHER
46				111			
47				112	2	82335000	M3 X 12 POZI CSK SCREW
48			N/S = NOT SHOWN	113	2	82335100	M3 NYLOC NUT
49				114			
50				115			
51	1	08423400	SUCTION UNIT SU 600	116	1	22341900	MOUNTING KIT SUCTION UNIT SU 600 CPL. (N/S)
52	1	22341900	MOUNTING KIT FOR SU 600 CPL.	117	1	82342000	SPECIAL ACCESSORY CLAMP (N/S)
53	1	22342900	SUCTION SKIRT KIT CPL.	118	1	82342100	VACUUM MOUNT LOWER PART (N/S)
54	1	82040500	PAPER BAGS 5 pcs incl. 1 filter 56703951	119	1	82342200	VACUUM MOUNT UPPER PART (N/S)
55	1	56703951	ELECTROSTATICAL EXHAUST FILTER	120	1	82342300	VACUUM MOUNT UPPER SPACER (N/S)
56	1	140 9315 000	SOFT START BOX TO PROTECT FUSES	121	1	82342400	VACUUM MOUNT SCREW GUIDE (N/S)
57	1	00190860	PAD WHITE, 430 mm, 5 pcs	122	1	82342500	M6 x 20 CAP HEAD SCREW - BLACK (N/S)
58	1	08531000	PAD RED, 430 mm, 5 pcs	123	1	82342600	M8 x 25 CAP HEAD SCREW - BLACK (N/S)
59	1	08531200	PAD BLUE, 430 mm, 5 pcs	124	1	82342700	M8 x 16 HEX HEAD SCREW (N/S)
60	1	00281000	PAD GREEN, 430 mm, 5 pcs	125	1	82342800	M8 LOCKNUT (N/S)
61	1	08531400	PAD BROWN, 430 mm, 5 pcs	126	1	22342900	SUCTION SKIRT KIT CPL. (N/S)
62				127	1	82343000	SUCTION SKIRT (N/S)
63				128	1	82343100	BLANKING CAP (N/S)
64				129	1	82343200	STRAIGHT CUFF (N/S)
65				130			

ACCESSORIES

ASSEMBLY PARTS SUCTION UNIT AND SUCTION SKIRT



D

2.9.1

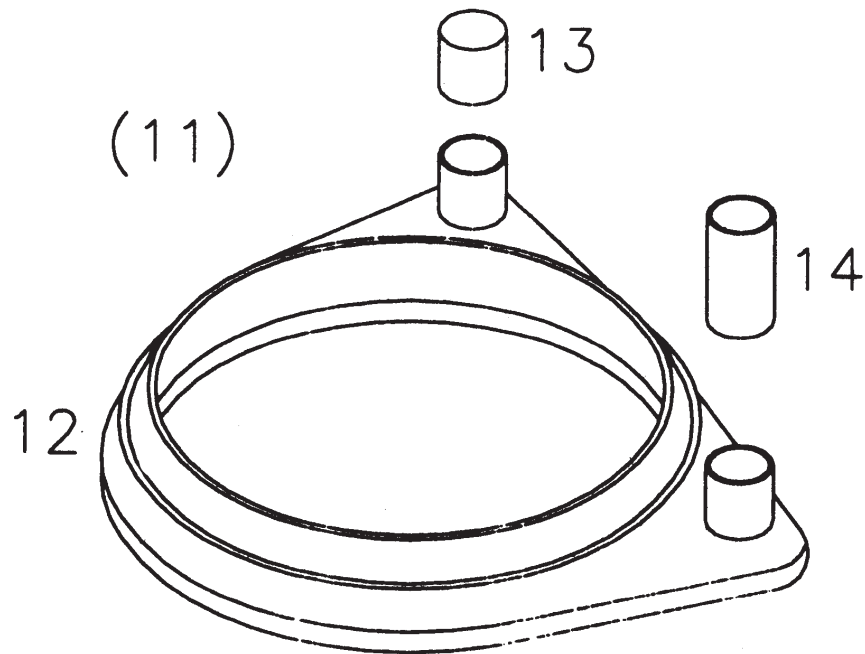
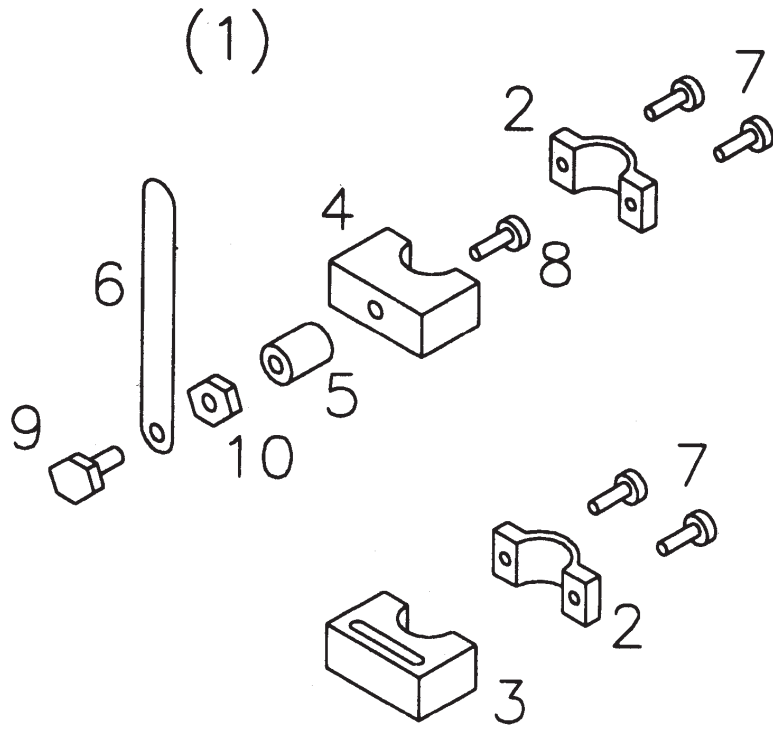
5

BASE PART, WITH MOTOR SPARE PARTS

Item No.	QTY. PER.	PART NO.	DESCRIPTION	Item No.	QTY. PER.	PART NO.	DESCRIPTION
1	2	143 3545 000	M8 WASHER x 1.25" O/D	66			
2	2	143 3554 000	STARLOCK WASHER	67			
3	2	142 2872 000	FORK PIVOT BUSH	68	1	82336900	CENTRIFUGAL SWITCH N/S
4	1	142 2819 000	FORK PIVOT SHAFT	69	1	82337000	CIRCUIT BREAKER - 240V (UK)
5	2	143 1224 000	BEARING - DRIVE PLATE	70	1	82337100	CIRCUIT BREAKER - 220V (EU)
6	1	143 3558 000	CIRCLIP - DRIVE PLATE	71	1	142 1894 010	MOTOR 240V 50Hz 1.3Kw (UK)
7	2	142 2532 000	WHEEL	72	1	82337200	MOTOR 220V 50Hz 1.3Kw (EU)
8	1	143 3529 000	SPIROL PIN 6 DIA x 32	73	1	142 2896 000	MOTOR START CAPACITOR
9	2	142 1278 000	WHEEL CAP	74	1	142 2897 010	MOTOR RUN CAPACITOR - 240V (UK)
10	7	143 1054 000	WASHER 1/4" x 3/4"	75	1	82337300	MOTOR RUN CAPACITOR - 220V (EU)
11	1	82335300	M6 x 16 THREAD FORMING SCREW	76	1	143 2998 000	SPECIAL 3 WAY CON. SOCKET
12	1	142 1881 000	DRIVE BELT	77	1	143 3525 000	SPECIAL 3 WAY CON. PLUG
13	2	143 3553 000	M5 x 10 THREAD FORMING BOLT	78			
14	2	143 2913 000	CRINKLE WASHER	79			
15	0.13M	82335400	VELCRO STRIP LOOP N/S	80			
16	0.13M	82335500	VELCRO STRIP HOOK N/S	81			
17	3	82335600	No 8 x 12 ST/ST SELF TAP SCREW	82			
18	1	142 1879 000	PIVOT BUSH	83	1	142 1896 010	MOTOR & PULLEY ASSY - 240V (UK)
19	1	143 3548 000	CIRCLIP	84	1	82337400	MOTOR & PULLEY ASSY - 220V (EU)
20	1	142 1877 000	BEARING	85	1	82337500	BELT TENSION ROLLER ASSY
21	0.25M	82362000	PVC TUBE	86			
22	2	82335700	1/4" x 5/8" WASHER	87			
23	2	143 2378 000	EXT. SERRATED LOCK WASHER	88			
24	1	82335800	PAD DRIVER ASSEMBLY	89	1	143 3521 000	M4 x 12 BLACK POZI PAN SCREW
25	1	82335900	PAD LOCKING DEVICE - CENTERING	90	1	143 3522 000	M4 PLAIN BLACK WASHER
26	2	143 3528 000	M6 x 12 THREAD FORMING SCREW	91			
27	1	82336000	M6 x 12 BLACK POZI PAN SCREW	92			
28	1	143 3511 000	RAWLNUT M4	93	5	143 2967 000	M6 x 20 LG HEX HD SCREW
29				94	1	143 2320 000	M6 x 8 LG SOCKET GRUB SCREW
30				95	3	82337600	M6 x 20 CSK POZI SCREW
31				96	5	82337700	M6 SINGLE COIL WASHER
32	1	142 3114 000	ADJUSTING GEAR	97	1	143 3513 000	M6 PLAIN BLACK WASHER
33				98			
34	1	142 3118 000	18" FURNITURE GUARD	99			
35	1	82336100	MOTOR PULLEY 64 x 24	100			
36	1	142 3112 000	BEARING GUIDE	101			
37				102			
38				103	4	82334800	M8 x 20 LG HEX HD SCREW
39	1	82336200	17" HOUSING GREY	104	1	82337800	M8 x 25 LG HEX HD SCREW
40				105	1	82337900	M8 x 30 LG HEX HD SCREW
41	1	82336300	T.V. AXLE	106			
42				107	2	82338000	M8 x 16 LG SKT CSK HD SCREW
43	1	142 1876 000	BELT TENSION LEVER	108	2	82334900	M8 SINGLE COIL WASHER
44				109	2	82338100	M8 FULL NUT
45	1	142 1875 000	BELT TENSION ROLLER	110	2	82338200	M8 LOCK NUT
46	1	142 1878 000	TENSION LEVER BOLT	111			
47	1	142 1880 000	PIVOT BOLT	112			
48	2	142 1873 000	SPRING RETAINING PIN	113			
49	1	142 2826 010	SPECIAL U.H.S SPINDLE	114			
50	1	142 3113 000	BELT TENSION SPRING	115			
51	1	142 1870 000	MOTOR ADJUSTING BLOCK	116			
52				117			
53	2	82336400	WHEEL AXLE SPACER	118	1	143 3549 000	M20 FULL NUT
54	1	142 2829 000	SPECIAL CAPACITOR MOUNT	119	1	143 3562 000	M20 INT. SHAKEPROOF WASHER
55	1	82336500	BASE CASTING - ANTHRACITE GREY	120			
56	1	82336600	BELT HOUSING COVER	121			
57	1	142 1869 000	MOTOR ADJUSTING STUD	122			
58	1	82336700	OUTPUT DRIVE HUB	123			
59				124			
60				125			
61	2	82336800	M8 SQUARE WASHER	126			
62	1	142 2831 000	IN-LINE MOTOR COVER	127			
63	1	142 2832 000	IN-LINE FAN COVER	128			
64				129			
65				130			

N/S = NOT SHOWN

VAC MOUNT AND SKIRT



Item No.	QTY. PER.	PART NO.	DESCRIPTION
1	1	22341900	UB 624 VACUUM MOUNT KIT
2	2	82342000	SPECIAL ACCESSORY CLAMP
3	1	82342100	UB 624 VACUUM MOUNT LOWER FRONT
4	1	82342200	UB 624 VACUUM MOUNT UPPER FRONT
5	1	82342300	UB 624 VACUUM MOUNT UPPER SPACER
6	1	82342400	UB 624 VACUUM MOUNT SCREW GUIDE
7	4	82342500	M6 x 20 CAP HEAD SCREW - BLACK
8	1	82342600	M8 x 25 CAP HEAD SCREW - BLACK
9	1	82342700	M8 x 16 HEX HEAD SCREW
10	1	82342800	M8 LOCKNUT
11	1	22342900	NILFISK ADVANCE FLO-CLEAN SKIRT KIT
12	1	82343000	FLO-CLEAN VAC SKIRT
13	1	82343100	BLANKING CAP
14	1	82343200	STRAIGHT CUFF