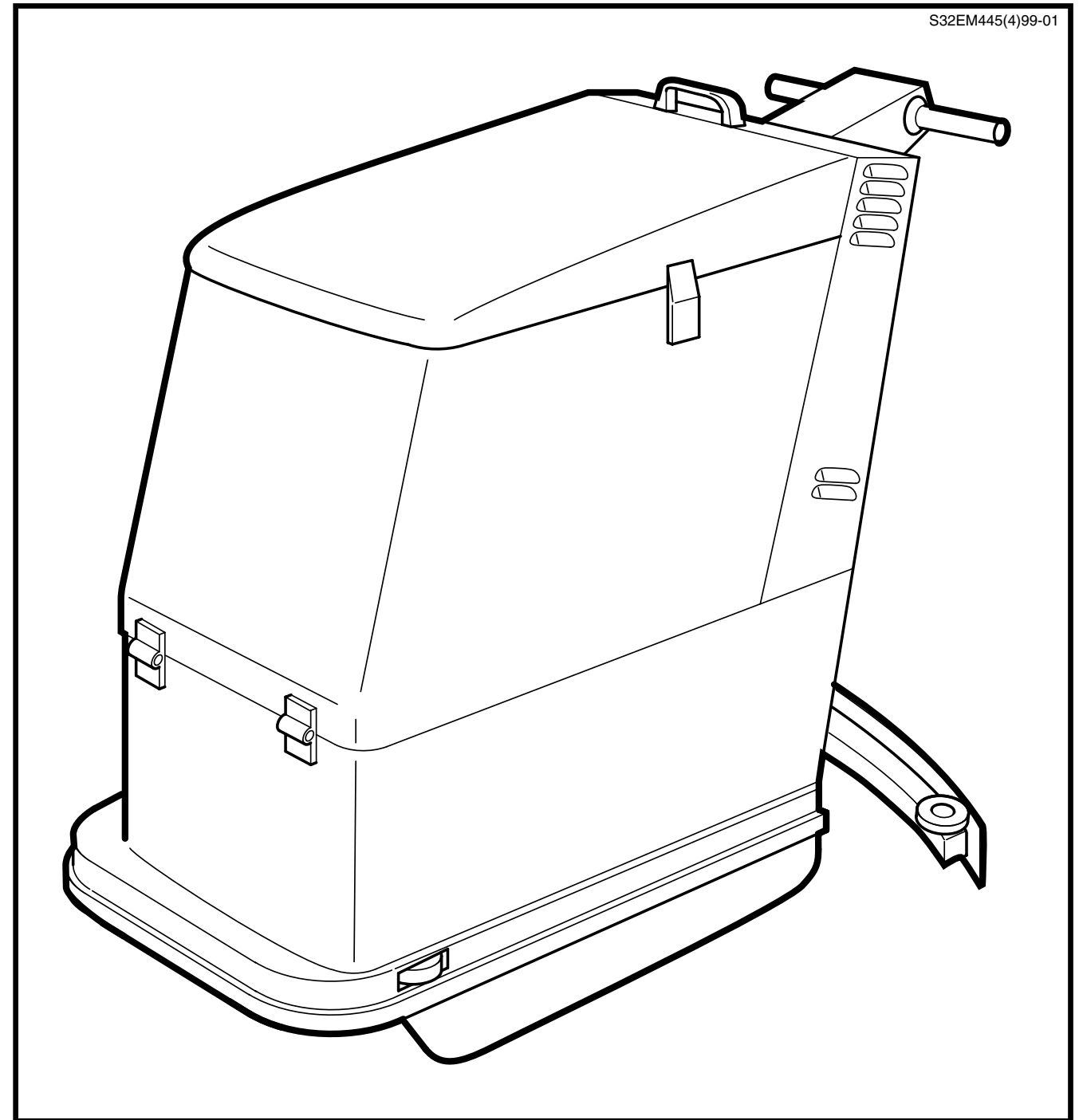


S32EM445(4)99-01



S32EM445(4)99-01

AW 445

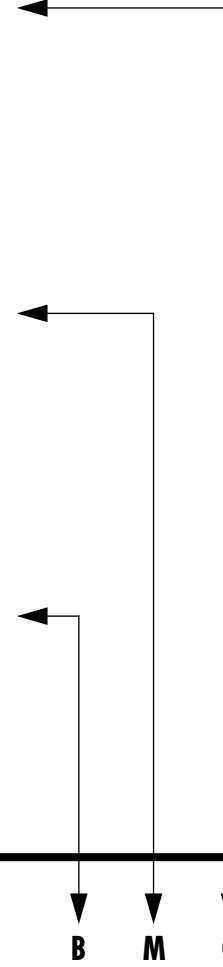
Catalogo ricambi
Spare Parts List
Liste des pieces detachees
Ersatzteilliste

ACCESSORIO
OPTIONAL
ACCESSOIRES
ZUBEHÖR

VERSIONE CON CAVO 220V
MAINS VERSION
VERSION AVEC CABLE 220V
MODELL MIT KABEL 220V

VERSIONE A BATTERIA
BATTERY VERSION
VERSION A BATTERIE
BATTERIE MODELL

| POSIZ. ITEM POS. EINSAT. | CODICE CODE CODE NUMMER | CODICE INTERNO INTERNAL CODE CODE INTERIEUR INTERNE NUMMER | DESCRIZIONE DESCRIPTION DESCRIPTION BEZEICHNUNG | B | M | O |
|-----------------------------------|----------------------------------|---|--|---|---|---|
| 26 | 145 0180 000 | G00.04530 | BATTERIA 12V 115Ah / BATTERY 12V 115Ah / BATTERIE 12V 115Ah / BATTERIE 12V 115Ah | | | 2 |
| 27 | 145 0184 000 | G00.04560 | CARICABATTERIA / BATTERY CHARGER / CHARGE ACCUMULATEUR / LADEGERÄT | | | 1 |
| 28 | 145 0573 000 | G13.19410 | KIT CAVI BATTERIA / CABLES / CABLE / KABEL | 1 | | |
| 29 | 145 0413 000 | G11.009 | FUSIBILE / FUSE / FUSIBLE / SICHERUNG | | 1 | |
| 30 | 145 0000 000 | A13.00040 | CONDENSATORE / CAPACITOR / CONDENSATEUR / KONDENSATOR | | | |



LIST OF RECOMMENDED SPARE PARTS

AW445

S32EM445(4)99-01

| CODICE CODE NUMMER | CODICE INTERNO INTERNAL CODE CODE INTERIEUR INTERNE NUMMER | ITEM DESCRIPTION | QUANTITY (for nr. 5 machines) | REF. DRAW | ITEM | CLASS | NOTE |
|--------------------|--|---|-------------------------------|-----------|------|-------|------------------------|
| 145 0515 000 | G02.13810 | ELECTRONIC BOARD | 1 | H | 7 | EM | |
| 145 0383 000 | G02.13740 | CONTROL PANEL | 1 | H | 1 | EM | |
| 145 0372 000 | G05.11130 | KEY SWITCH | 1 | H | 2 | EM | |
| 145 9944 000 | H02.33800 | REAR FLAP FOR SQUEEGEE | 10 | G | 44 | W | |
| 145 9943 000 | H02.33900 | FRONT FLAP FOR SQUEEGEE | 10 | G | 42 | W | |
| 145 1949 000 | - | KNOB FOR SQUEEGEE SUPPORT | 4 | G | 24 | OM | |
| 145 8502 000 | G02.11200 | WATER PUMP (optional, with membrane only) | 2 | C | 16 | OM | |
| 145 9942 000 | G02.12900 | ELECTROVALVES WITH PLASTIC BODY | 1 | C | 26 | OM | |
| 145 4799 000 | - | MICROSWITCH | 2 | G | 50 | EM | |
| 145 4636 000 | - | WHEEL (rotating-rear) | 3 | B | 1 | OM | |
| 145 4637 000 | - | WHEEL (front-17mm hole diameter) | 3 | B | 11 | OM | from ser. nr. 81700942 |
| 145 8536 000 | L02.13900 | LOCK FOR TANK LID | 5 | A | 5 | OM | |
| 145 0394 000 | H08.00100 | FILTER | 5 | D | 2 | OM | ALSO D-19 |
| 145 5028 000 | - | GASKET FOR TANK LID | 5 | A | 3 | OM | |
| 145 0096 000 | B04.01700 | BRUSH STANDARD (see also other types) | 5 | F | 37 | W | |
| 145 9854 000 | G11.05600 | FUSE-TAB-50 Amp | 10 | H | 9 | OM | |
| 145 4849 000 | - | VACUUM MOTOR | 2 | C | 42 | EM | |
| 145 0411 000 | H08.00060 | PLASTIC FLANGE FOR VACUUM MOTOR | 2 | C | 41 | EM | |
| 145 8497 000 | R4DA0L020 | KIT FOR CAP OF REAR HOSES | 5 | C | 2 | OM | |
| 145 0386 000 | G02.13760 | DISPLAY ELECTRONIC BOARD | 1 | H | 3 | EM | |
| 145 0413 000 | G11.009 | FUSE 6 Amp (10 mm x 38 mm) | 10 | H | 29 | OM | CABLE VERSION ONLY |
| 145 0463 000 | D00.06670 | WHEEL | 2 | G | 46 | EM | |
| 145 0461 000 | L02.16130 | KNOB | 3 | G | 15 | EM | |
| 145 8494 000 | G05.09200 | LEVEL SENSOR | 3 | C | 11 | EM | |
| 145 0558 000 | G05.11140 | LEVEL SENSOR | 3 | D | 1 | EM | |

CLASS: W=NORMAL WEAR PART

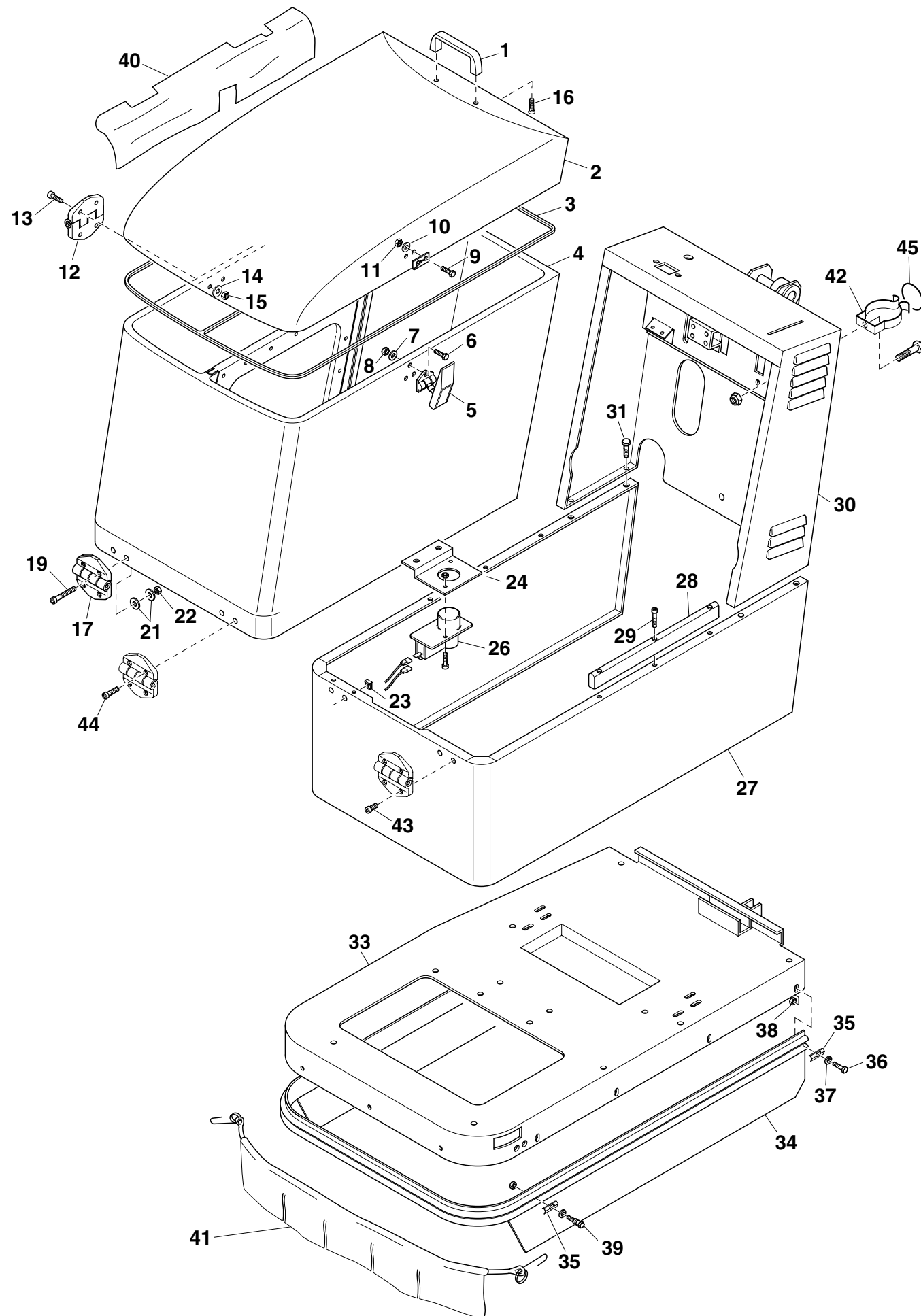
OM=ORDINARY MAINTENANCE

EM=EXTRA-ORDINARY MAINTENANCE

TAV. A / DRAW. A / VUE A / ZEICHN. A

AW445

S32EM445(4)99-01



TAV. H / DRAW. H / VUE H / ZEICHN. H

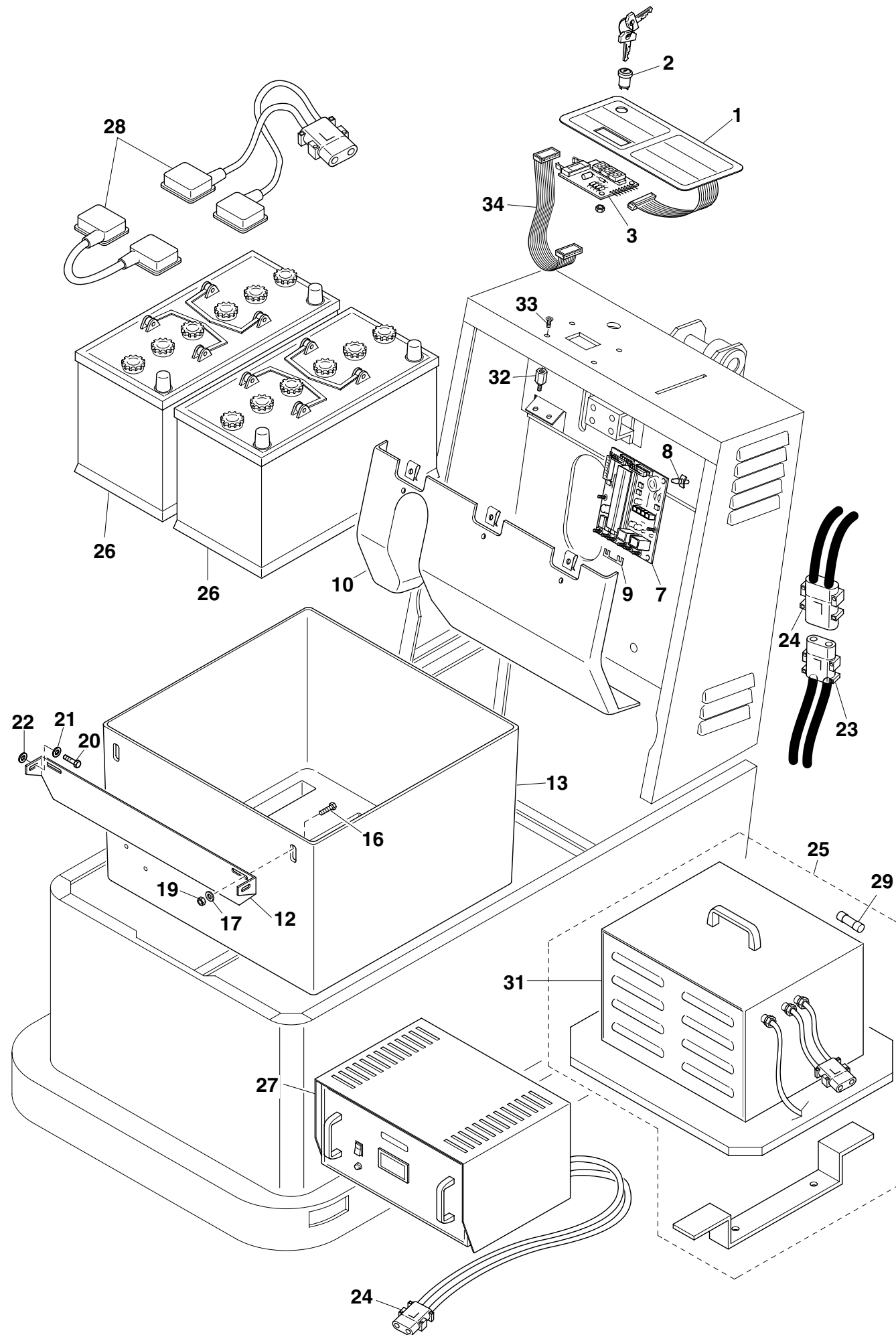
AW445 S32EM445(4)99-01

| POSIZ. ITEM POS. EINSAT. | CODICE CODE CODE NUMMER | CODICE INTERNO INTERNAL CODE CODE INTERIEUR INTERNE NUMMER | DESCRIZIONE DESCRIPTION DESCRIPTION BEZEICHNUNG | B | M | O |
|-----------------------------------|----------------------------------|---|--|---|---|---|
| 1 | 145 0383 000 | G02.13740 | PLANCIA / PANEL / PLANCHE / PANEEL | 1 | 1 | |
| 2 | 145 0372 000 | G05.11130 | INTERRUTTORE / SWITCH / INTERRUPTEUR / SCHALTER | 1 | 1 | |
| 3 | 145 0386 000 | G02.13760 | SCHEDA / CARD / PLATINE / KARTE | 1 | 1 | |
| 7 | 145 0515 000 | G02.13810 | SCHEDA / CARD / PLATINE / KARTE | 1 | 1 | |
| 8 | 145 0516 000 | L02.13700 | DISTANZIALE / WASHER / RONDELLE / BEILAGSCHEIBE | 4 | 4 | |
| 9 | 145 9854 000 | G11.05600 | FUSIBILE / FUSE / FUSIBLE / SICHERUNG | 1 | 1 | |
| 10 | 145 4908 000 | - | PROTEZIONE / GUARD / PROTECTION / SCHUTZ | 1 | 1 | |
| 12 | 145 0506 000 | F03.69830 | STAFFA / HANGER / ETRIER / BÜGEL | 1 | 1 | |
| 13 | 145 0504 000 | H01.25910 | CONTENITORE / CONTAINER / BAC / BEHALTER | 1 | 1 | |
| 16 | 145 0507 000 | V03.00410 | VITE / SCREW / VIS / SCHRAUBE | 2 | 2 | |
| 17 | 145 0246 000 | V09.02210 | RONDELLA / WASHER / RONDELLE / BEILAGSCHEIBE | 2 | 2 | |
| 19 | 145 9934 000 | V13.01910 | DADO / NUT / ECROU / MUT | 2 | 2 | |
| 20 | 145 9959 000 | V02.00310 | VITE / SCREW / VIS / SCHRAUBE | 2 | 2 | |
| 21 | 145 0252 000 | V19.00410 | RONDELLA / WASHER / RONDELLE / BEILAGSCHEIBE | 2 | 2 | |
| 22 | 145 0246 000 | V09.02210 | RONDELLA / WASHER / RONDELLE / BEILAGSCHEIBE | 2 | 2 | |
| 23 | 145 9671 000 | G03.01000 | SPINA / PIN / GOUPILLE / STIFT | 1 | 1 | |
| 24 | 145 9672 000 | G03.01200 | PRESA / PLUG / PRISE / STECKER | 1 | 1 | |
| 25 | 145 4377 000 | RDDAOZE40 | KIT ALIMENTATORE / POWER SUPPLY / ALIMENTATEUR / SPEISER | | 1 | 1 |
| 26 | 145 0180 000 | WOP.G4530 | BATTERIA 12V 115Ah / BATTERY 12V 115Ah / BATTERIE 12V 115Ah / BATTERIE 12V 115Ah | | | 2 |
| 27 | 145 0184 000 | G00.04560 | CARICABATTERIA / BATTERY CHARGER / CHARGE ACCUMULATEUR / LADEGERÄT | | | 1 |
| 28 | 145 0573 000 | G13.19410 | KIT CAVI BATTERIA / CABLES / CABLE / KABEL | 1 | | 1 |
| 29 | 145 0413 000 | G11.009 | FUSIBILE / FUSE / FUSIBLE / SICHERUNG | | 1 | |
| 31 | 145 3680 000 | G00.04200 | ALIMENTATORE / POWER SUPPLY / ALIMENTATEUR / SPEISER | | 1 | |
| 32 | 145 1719 000 | L02.16190 | DISTANZIALE / WASHER / RONDELLE / BEILAGSCHEIBE | 4 | 4 | |
| 33 | 145 1720 000 | L02.16200 | VITE IN PLASTICA / SCREW / VIS / SCHRAUBE | 4 | 4 | |
| 34 | 145 1749 000 | G12.01080 | PIATTINA / PLATE / PLAQUE / BAND | 1 | 1 | |

TAV. H / DRAW. H / VUE H / ZEICHN. H

AW445

S32EM445(4)99-01



TAV. A / DRAW. A / VUE A / ZEICHN. A

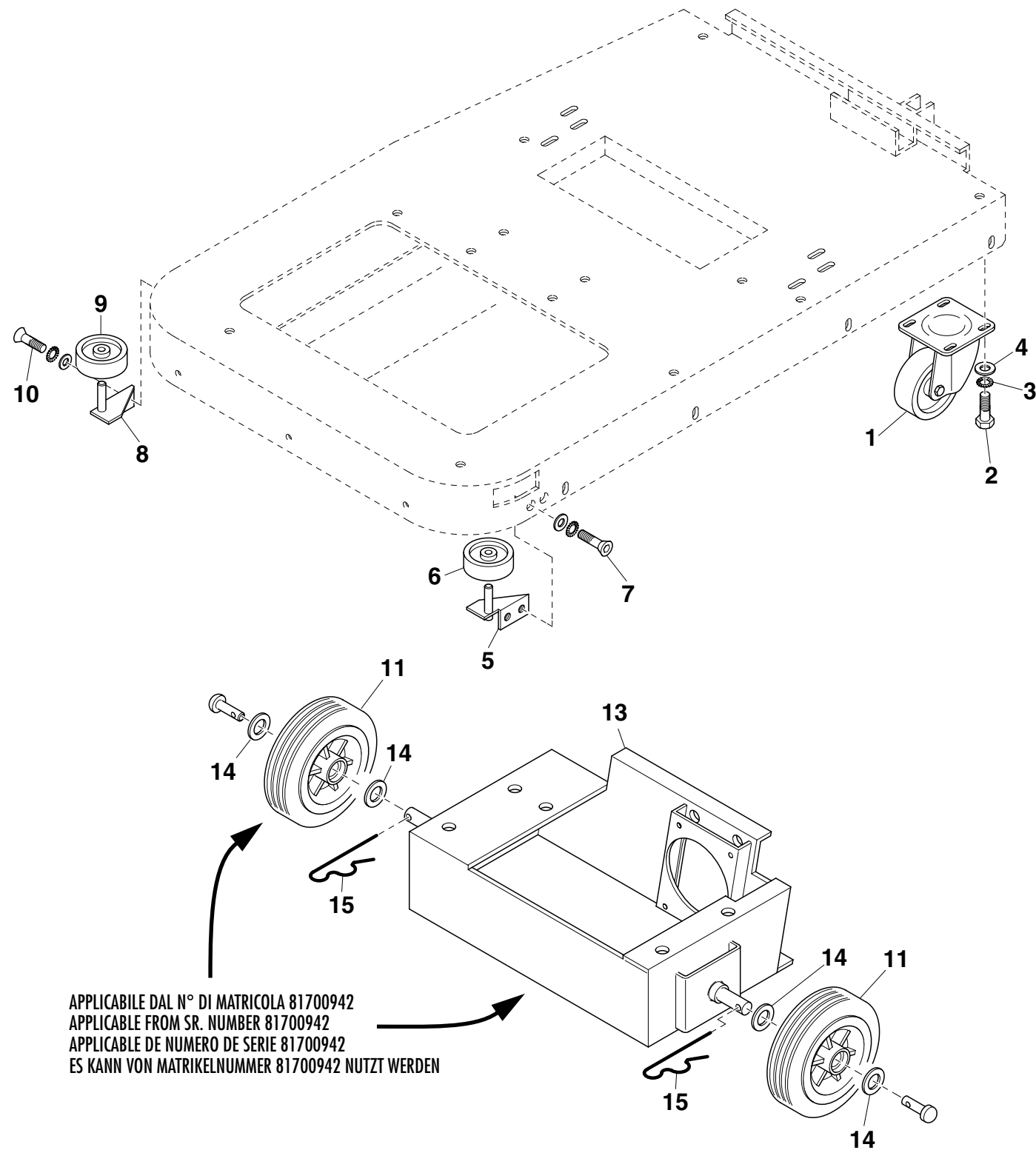
AW445 S32EM445(4)99-01

| POSIZ. ITEM POS. EINSAT. | CODICE CODE CODE NUMMER | CODICE INTERNO INTERNAL CODE CODE INTERIEUR INTERNE NUMMER | DESCRIZIONE DESCRIPTION DESCRIPTION BEZEICHNUNG | B | M | O |
|-----------------------------------|----------------------------------|---|---|----|----|---|
| 1 | 145 8461 000 | L02.14000 | MANIGLIA / HANDLE / POIGNEE / HANDGRIF | 1 | 1 | |
| 2 | 145 4921 000 | - | COPERCHIO / LID / COUVERCLE / DECKEL BLU | 1 | 1 | |
| 2 | 1454922 000 | - | COPERCHIO / LID / COUVERCLE / DECKEL GREY | 1 | 1 | |
| 3 | 145 5028 000 | - | GUARNIZIONE / GASKET / JOINT / DICHTUNG | 1 | 1 | |
| 4 | 145 0380 000 | L00.05360 | SERBATOIO / TANK / RESERVOIR / TANK BLU | 1 | 1 | |
| 4 | 145 0581 000 | L00.05370 | SERBATOIO / TANK / RESERVOIR / TANK RED | 1 | 1 | |
| 4 | 145 0582 000 | L00.05380 | SERBATOIO / TANK / RESERVOIR / TANK GREY | 1 | 1 | |
| 5 | 145 8536 000 | L02.13900 | CHIUSURA / PROTECTION SIDE PLATE / FERMATURE / VERSCHLUSS | 1 | 1 | |
| 6 | 145 8279 000 | V02.10510 | VITE / SCREW / VIS / SCHRAUBE | 3 | 3 | |
| 7 | 145 8280 000 | V09.05310 | RONDELLA / WASHER / RONDELLE / BEILAGSCHEIBE | 3 | 3 | |
| 8 | 145 8281 000 | V13.01810 | DADO / NUT / ECROU / MUTTER | 3 | 3 | |
| 9 | 145 8279 000 | V02.10510 | VITE / SCREW / VIS / SCHRAUBE | 2 | 2 | |
| 10 | 145 8280 000 | V09.05310 | RONDELLA / WASHER / RONDELLE / BEILAGSCHEIBE | 2 | 2 | |
| 11 | 145 8281 000 | V13.01810 | DADO / NUT / ECROU / MUTTER | 2 | 2 | |
| 12 | 145 0399 000 | L02.16080 | CERNIERA / HINGE / CHARNIERE / SCHARNIER | 2 | 2 | |
| 13 | 145 0569 000 | V04.05090 | VITE / SCREW / VIS / SCHRAUBE | 8 | 8 | |
| 14 | 145 8280 000 | V09.05310 | RONDELLA / WASHER / RONDELLE / BEILAGSCHEIBE | 4 | 4 | |
| 15 | 145 8281 000 | V13.01810 | DADO / NUT / ECROU / MUTTER | 4 | 4 | |
| 16 | 145 0568 000 | V03.04410 | VITE / SCREW / VIS / SCHRAUBE | 2 | 2 | |
| 17 | 145 0399 000 | L02.16080 | CERNIERA / HINGE / CHARNIERE / SCHARNIER | 2 | 2 | |
| 19 | - | V04.01810 | VITE / SCREW / VIS / SCHRAUBE | 2 | 2 | |
| 21 | 145 8280 000 | V09.05310 | RONDELLA / WASHER / RONDELLE / BEILAGSCHEIBE | 6 | 6 | |
| 22 | 145 8281 000 | V13.01810 | DADO / NUT / ECROU / MUTTER | 4 | 4 | |
| 23 | 145 0497 000 | V13.09610 | DADO / NUT / ECROU / MUTTER | 4 | 4 | |
| 24 | 145 4875 000 | - | STAFFA / HANGER / ETRIER / BÜGEL | 1 | 1 | |
| 26 | 145 4820 000 | - | INTERRUTTORE / SWITCH / INTERRUPTEUR / SCHALTER | 1 | 1 | |
| 27 | 145 0496 000 | F04.13603 | CARENATURA / COVER / BATI / VERKLEIDUNG | 1 | 1 | |
| 28 | 145 8273 000 | F03.66400 | GUIDA / SLIDE / GUIDE / FUEHRUNGSBAHN | 2 | 2 | |
| 29 | 145 0499 000 | V04.05010 | VITE / SCREW / VIS / SCHRAUBE | 6 | 6 | |
| 30 | 145 0500 000 | F04.21170 | SUPPORTO / SUPPORT / SUPPORT / HALTER | 1 | 1 | |
| 31 | 145 0521 000 | V02.01210 | VITE / SCREW / VIS / SCHRAUBE | 4 | 4 | |
| 33 | 145 0433 000 | F01.21700 | TELAIO / FRAME / CHASSIS / RAHMEN | 1 | 1 | |
| 34 | 145 1181 000 | H02.34690 | PARASPRUZZI / SPLASHGUARD / BNAVETTE GUARD BOUE / SPRITZENS | 1 | 1 | |
| 35 | 145 1180 000 | H01.26340 | PIASTRA / PLATE / PLAQUE / PLATTE | 12 | 12 | |
| 36 | 145 0440 000 | V02.07310 | VITE / SCREW / VIS / SCHRAUBE | 10 | 10 | |
| 37 | 145 0441 000 | V09.00210 | RONDELLA / WASHER / RONDELLE / BEILAGSCHEIBE | 10 | 10 | |
| 38 | 145 0438 000 | V13.06110 | DADO / NUT / ECROU / MUTTER | 10 | 10 | |
| 39 | 145 1108 000 | V03.07103 | VITE / SCREW / VIS / SCHRAUBE | | | 2 |
| 40 | 145 4938 000 | - | RIPARO / GUARD / PROTECTION / SCHUTZWEHR | 1 | 1 | |
| 41 | 145 4988 000 | - | PARASPRUZZI / SPLASHGUARD / BAVETTE GUARD BOUE / SPRITZENS | | | 1 |
| 42 | 145 8539 000 | E04.07600 | FASCETTA / CLAMP / COLLIER / PASSRING | 2 | 2 | |
| 43 | 145 0513 000 | V04.01310 | VITE / SCREW / VIS / SCHRAUBE | 4 | 4 | |
| 44 | 145 0569 000 | V04.05090 | VITE / SCREW / VIS / SCHRAUBE | 2 | 2 | |
| 45 | 145 0508 000 | H04.09500 | O-RING / O-RING / O-RING / O-RING | 2 | 2 | |

TAV. B / DRAW. B / VUE B / ZEICHN. B

AW445

S32EM445(4)99-01



TAV. G / DRAW. G / VUE G / ZEICHN. G

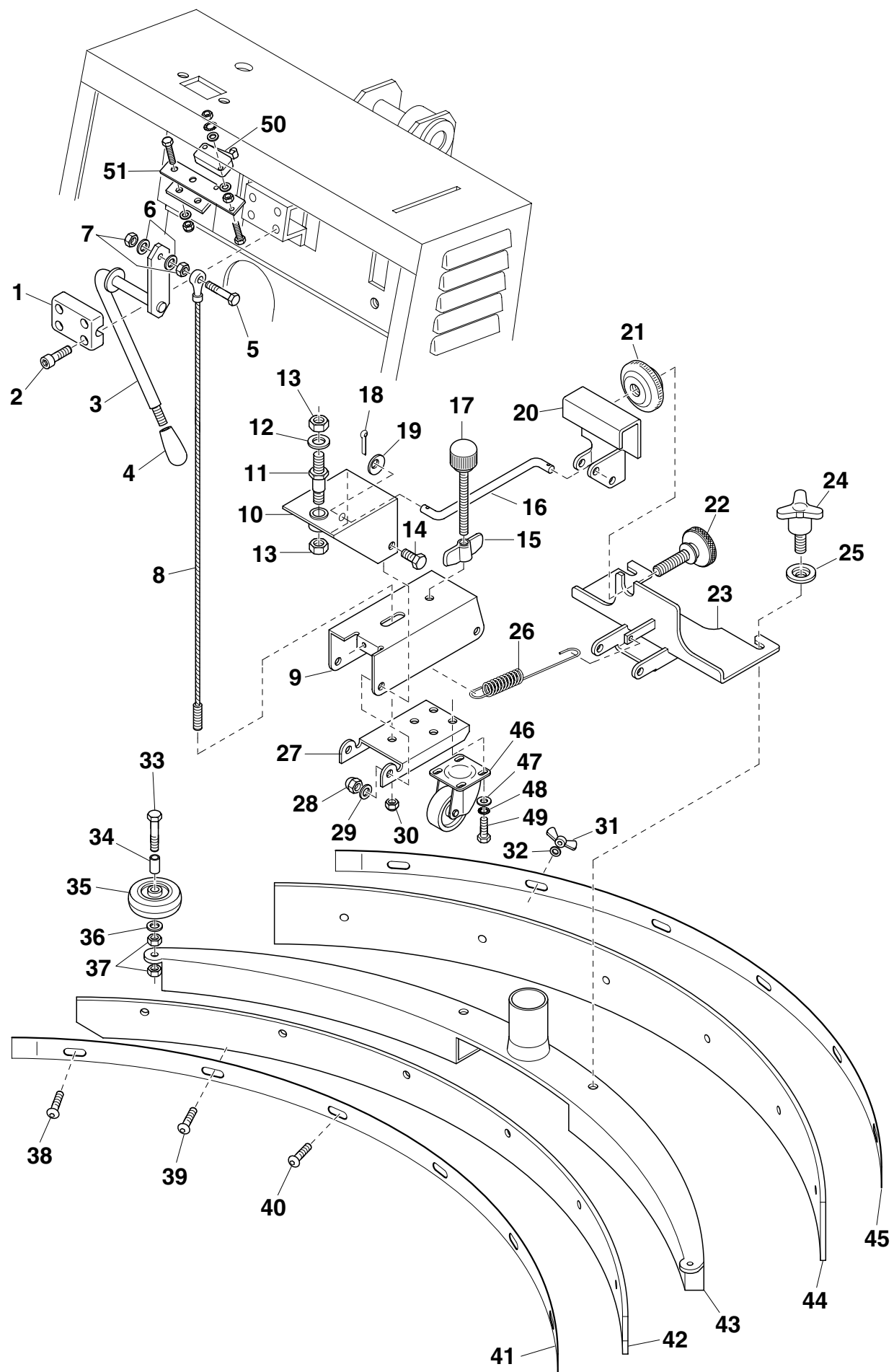
AW445 S32EM445(4)99-01

| POSIZ. ITEM POS. EINSAT. | CODICE CODE CODE NUMMER | CODICE INTERNO INTERNAL CODE CODE INTERIEUR INTERNE NUMMER | DESCRIZIONE DESCRIPTION DESCRIPTION BEZEICHNUNG | B | M | O |
|-----------------------------------|----------------------------------|---|---|---|---|---|
| 47 | 145 8395 000 | V09.02010 | RONDELLA / WASHER / RONDELLE / BEILAGSCHEIBE | 4 | 4 | |
| 48 | 145 8396 000 | V19.00510 | RONDELLA / WASHER / RONDELLE / BEILAGSCHEIBE | 4 | 4 | |
| 49 | 145 1625 000 | V03.05810 | VITE / SCREW / VIS / SCHRAUBE | 4 | 4 | |
| 50 | 145 4799 000 | - | MICROINT. / MICROSWITCH / MICROINTERRUPTEUR / MICROSCHALTER | 1 | 1 | |
| 51 | 145 4962 000 | - | PIASTRA / PLATE / PLAQUE / PLATTE | 1 | 1 | |

TAV. G / DRAW. G / VUE G / ZEICHN. G

AW445

S32EM445(4)99-01



TAV. B / DRAW. B / VUE B / ZEICHN. B

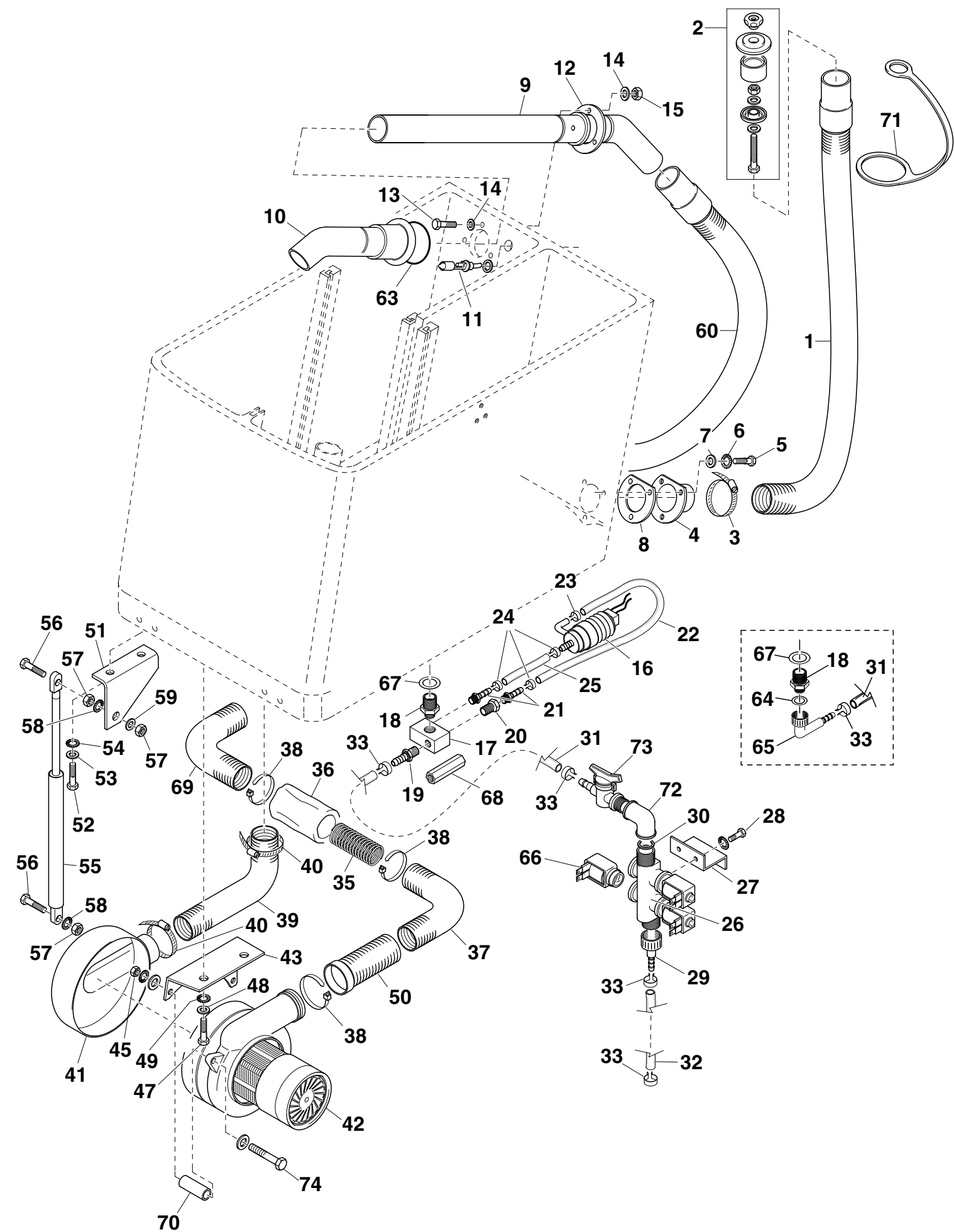
AW445 S32EM445(4)99-01

| POSIZ. ITEM POS. EINSAT. | CODICE CODE CODE NUMMER | CODICE INTERNO INTERNAL CODE CODE INTERIEUR INTERNE NUMMER | DESCRIZIONE DESCRIPTION DESCRIPTION BEZEICHNUNG | B | M | O |
|-----------------------------------|----------------------------------|---|---|---|---|---|
| 1 | 145 4636 000 | - | RUOTA / WHEEL / ROUE / RAD | 2 | 2 | |
| 2 | 145 9968 000 | V02.01310 | VITE / SCREW / VIS / SCHRAUBE | 8 | 8 | |
| 3 | 145 8396 000 | V19.00510 | RONDELLA / WASHER / RONDELLE / BEILAGSCHEIBE | 8 | 8 | |
| 4 | 145 8395 000 | V09.02010 | RONDELLA / WASHER / RONDELLE / BEILAGSCHEIBE | 8 | 8 | |
| 5 | 145 0434 000 | F04.21070 | SUPPORTO / SUPPORT / SUPPORT / HALTER SX | 1 | 1 | |
| 6 | 145 8463 000 | D00.05500 | RUOTA / WHEEL / ROUE / RAD | 1 | 1 | |
| 7 | 145 0435 000 | V03.00510 | VITE / SCREW / VIS / SCHRAUBE | 2 | 2 | |
| 8 | 145 0436 000 | F04.21080 | SUPPORTO / SUPPORT / SUPPORT / HALTER DX | 1 | 1 | |
| 9 | 145 8463 000 | D00.05500 | RUOTA / WHEEL / ROUE / RAD | 1 | 1 | |
| 10 | 145 0435 000 | V03.00510 | VITE / SCREW / VIS / SCHRAUBE | 2 | 2 | |
| 11 | 145 4637 000 | - | RUOTA / WHEEL / ROUE / RAD (17mm HOLE DIAMETER) | 2 | 2 | |
| 13 | 145 1848 000 | - | SUPPORTO RUOTA / WHEEL SUPPORT / SUPPORT ROUE / HALTER | 1 | 1 | |
| 14 | 145 4312 000 | M03.09800 | DISTANZIALE / WASHER / RONDELLE / BEILAGSCHEIBE | 6 | 6 | |
| 15 | 145 1317 000 | V15.02203 | SPINA / PIN / GOUPILLE / STIFT | 2 | 2 | |

TAV. C / DRAW. C / VUE C / ZEICHN. C

AW445

S32EM445(4)99-01



TAV. G / DRAW. G / VUE G / ZEICHN. G

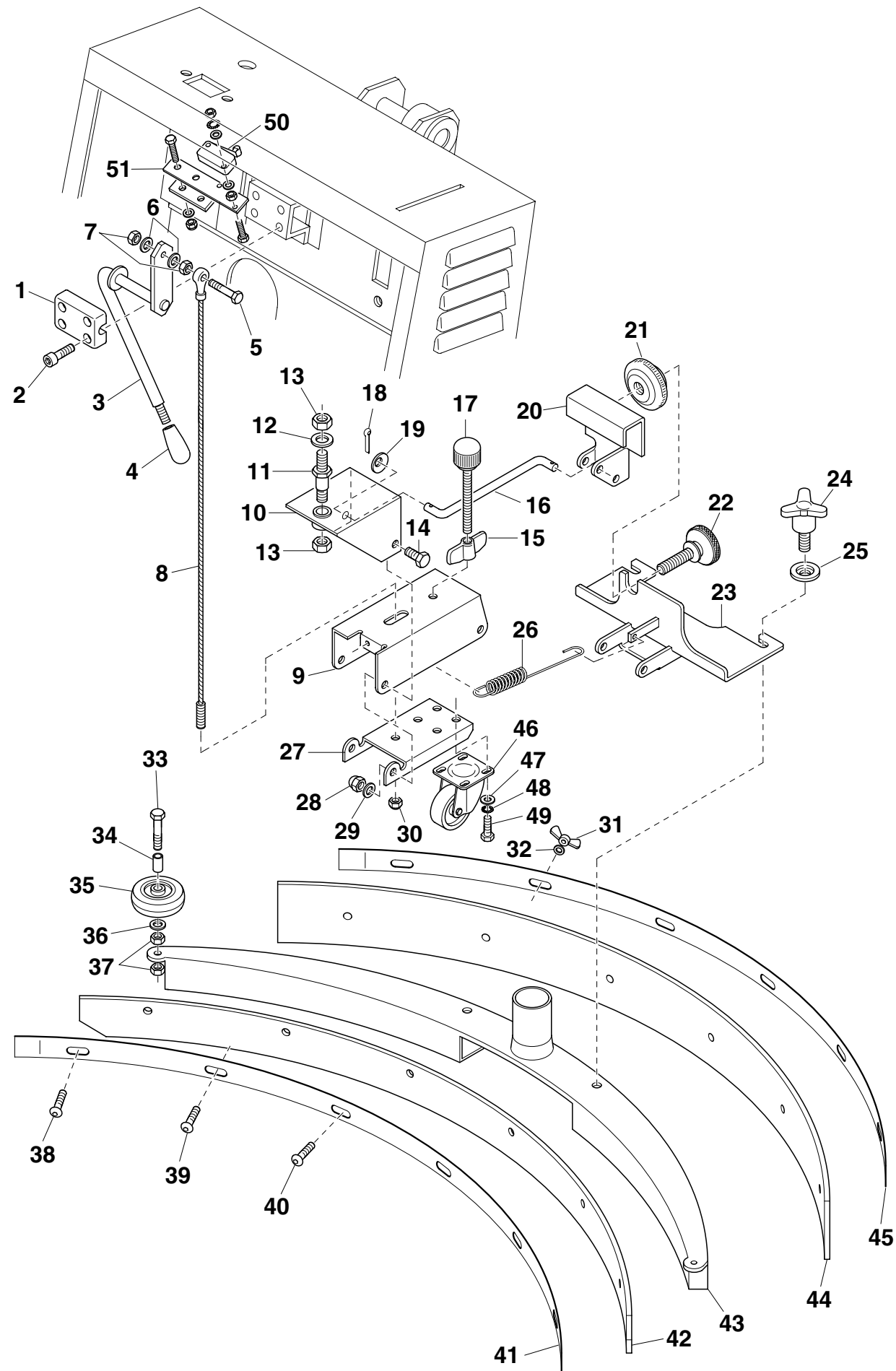
AW445 S32EM445(4)99-01

| POSIZ. ITEM POS. EINSAT. | CODICE CODE CODE NUMMER | CODICE INTERNO INTERNAL CODE CODE INTERIEUR INTERNE NUMMER | DESCRIZIONE DESCRIPTION DESCRIPTION BEZEICHNUNG | B | M | O |
|-----------------------------------|----------------------------------|---|--|---|---|---|
| 1 | 145 9954 000 | L02.15800 | BLOCCETTO / BLOCK / BLOC / ANPASSKOERPER | 1 | 1 | |
| 2 | 145 0513 000 | V04.01310 | VITE / SCREW / VIS / SCHRAUBE | 4 | 4 | |
| 3 | 145 9958 000 | F03.66500 | LEVA / LEVER / LEVIER / HEBEL | 1 | 1 | |
| 4 | 145 9319 000 | L03.02400 | POMELLO / KNOB / BOULE / KUGELGRIFF | 1 | 1 | |
| 5 | 145 9959 000 | V02.00310 | VITE / SCREW / VIS / SCHRAUBE | 1 | 1 | |
| 6 | 145 9961 000 | V09.00410 | RONDELLA / WASHER / RONDELLE / BEILAGSCHEIBE | 2 | 2 | |
| 7 | 145 9960 000 | V13.00410 | DADO / NUT / ECROU / MUT | 2 | 2 | |
| 8 | 145 0402 000 | E08.15000 | CAVO / CABLE / CABLE / KABEL | 1 | 1 | |
| 9 | 145 0449 000 | F03.69890 | SUPPORTO / SUPPORT / SUPPORT / HALTER | 1 | 1 | |
| 10 | 145 0448 000 | F04.21210 | SNODO / LINK / JOINT / GELENK | 1 | 1 | |
| 11 | 145 9963 000 | E02.67900 | VITE / SCREW / VIS / SCHRAUBE | 1 | 1 | |
| 12 | 145 9966 000 | V09.00610 | RONDELLA / WASHER / RONDELLE / BEILAGSCHEIBE | 2 | 2 | |
| 13 | 145 4518 000 | V13.021 | DADO / NUT / ECROU / MUT | 2 | 2 | |
| 14 | 145 0458 000 | V02.12940 | VITE / SCREW / VIS / SCHRAUBE | 1 | 1 | |
| 15 | 145 0461 000 | L02.16130 | VOLANTINO / KNOB / MOLETTE / HANDRAD | 1 | 1 | |
| 16 | 145 0454 000 | E02.69090 | TIRANTE / TENSION ROD / TIRANT / ZUGSTANGE | 1 | 1 | |
| 17 | 145 1354 000 | L02.16160 | POMELLO / KNOB / BOULE / KUGELGRIFF | 1 | 1 | |
| 18 | 145 8564 000 | V15.01603 | COPIGLIA / SPLIT PIN / GOUPILLE / SPLINT | 2 | 2 | |
| 19 | 145 8555 000 | E04.08600 | RONDELLA / WASHER / RONDELLE / BEILAGSCHEIBE | 2 | 2 | |
| 20 | 145 0453 000 | F03.69910 | SUPPORTO / SUPPORT / SUPPORT / HALTER | 1 | 1 | |
| 21 | 145 0455 000 | E02.69100 | RONDELLA / WASHER / RONDELLE / BEILAGSCHEIBE | 1 | 1 | |
| 22 | 145 0456 000 | L02.16110 | VOLANTINO / KNOB / MOLETTE / HANDRAD | 1 | 1 | |
| 23 | 145 0457 000 | F04.21220 | SUPPORTO / SUPPORT / SUPPORT / HALTER | 1 | 1 | |
| 24 | 145 1949 000 | - | VOLANTINO / KNOB / MOLETTE / HANDRAD | 2 | 2 | |
| 25 | 145 8395 000 | V09.02010 | RONDELLA / WASHER / RONDELLE / BEILAGSCHEIBE | 2 | 2 | |
| 26 | 145 0460 000 | E04.09560 | MOLLA / SPRING / RESSORT / FEDER | 1 | 1 | |
| 27 | 145 0450 000 | F03.69900 | SUPPORTO / SUPPORT / SUPPORT / HALTER | 1 | 1 | |
| 28 | 145 0452 000 | V13.06510 | DADO / NUT / ECROU / MUT | 1 | 1 | |
| 29 | 145 9979 000 | V09.00510 | RONDELLA / WASHER / RONDELLE / BEILAGSCHEIBE | 2 | 2 | |
| 30 | 145 9934 000 | V13.01910 | DADO / NUT / ECROU / MUT | 1 | 1 | |
| 31 | 145 1948 000 | - | DADO / NUT / ECROU / MUT | 6 | 6 | |
| 32 | 145 0493 000 | V09.01210 | RONDELLA / WASHER / RONDELLE / BEILAGSCHEIBE | 6 | 6 | |
| 33 | 145 9980 000 | V02.03110 | VITE / SCREW / VIS / SCHRAUBE | 2 | 2 | |
| 34 | 145 1624 000 | E05.19200 | DISTANZIALE / WASHER / RONDELLE / BEILAGSCHEIB | 2 | 2 | |
| 35 | 145 0384 000 | D00.06650 | RUOTA / WHEEL / ROUE / RAD | 2 | 2 | |
| 36 | 145 9979 000 | V09.00510 | RONDELLA / WASHER / RONDELLE / BEILAGSCHEIBE | 4 | 4 | |
| 37 | 145 9978 000 | V13.00510 | DADO / NUT / ECROU / MUT | 4 | 4 | |
| 38 | 145 0559 000 | V06.00220 | VITE / SCREW / VIS / SCHRAUBE | 2 | 2 | |
| 39 | 145 0570 000 | V06.00230 | VITE / SCREW / VIS / SCHRAUBE | 2 | 2 | |
| 40 | 145 0571 000 | V06.00240 | VITE / SCREW / VIS / SCHRAUBE | 2 | 2 | |
| 41 | 145 9977 000 | F03.66200 | PIATTINA / PLATE / PLAQUE / BAND | 1 | 1 | |
| 42 | 145 9943 000 | H02.33900 | GOMMA / RUBBER / CAOUTCHOU / GUMMI | 1 | 1 | |
| 43 | 145 0537 000 | F04.20201 | CORPO TERGITORE / SQUEEGEE / CORP DE SOUCEUR / SAUGFUSS | 1 | 1 | |
| 44 | 145 9944 000 | H02.33800 | GOMMA POST. / RUBBER / CAOUTCHOU / GUMMI | 1 | 1 | |
| 45 | 145 9976 000 | F03.66300 | PIATTINA POST. / PLATE / PLAQUE / BAND | 1 | 1 | |
| 46 | 145 0463 000 | D00.06670 | RUOTA / WHEEL / ROUE / RAD | 1 | 1 | |

TAV. G / DRAW. G / VUE G / ZEICHN. G

AW445

S32EM445(4)99-01



TAV. C / DRAW. C / VUE C / ZEICHN. C

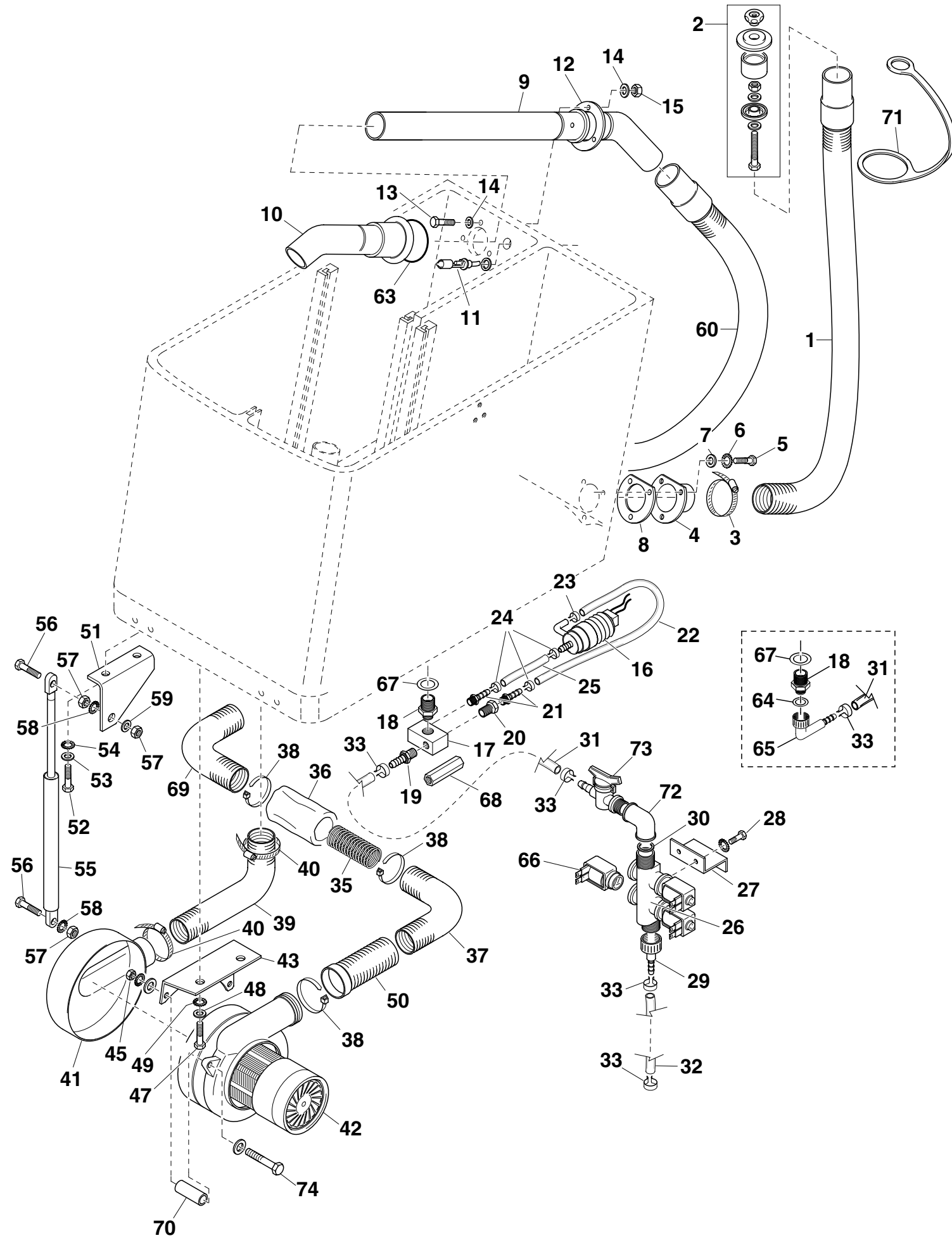
AW445 S32EM445(4)99-01

| POSIZ. ITEM POS. EINSAT. | CODICE CODE CODE NUMMER | CODICE INTERNO INTERNAL CODE CODE INTERIEUR INTERNE NUMMER | DESCRIZIONE DESCRIPTION DESCRIPTION BEZEICHNUNG | B | M | O |
|-----------------------------------|----------------------------------|---|---|---|---|---|
| 1 | 145 1704 000 | H06.03800 | TUBO / PIPE / TUYAU / SCHLAUCH | 2 | 2 | |
| 2 | 145 8497 000 | R4DA0L020 | KIT TAPPO ACQUA / CAP / BOUCHON / PFROPFEN | 2 | 2 | |
| 3 | 145 8575 000 | V20.02100 | FASCETTA / CLAMP / COLLIER / PASSRING | 2 | 2 | |
| 4 | 145 8574 000 | F04.13900 | TUBO / PIPE / TUYAU / SCHLAUCH | 2 | 2 | |
| 5 | 145 9959 000 | V02.00310 | VITE / SCREW / VIS / SCHRAUBE | 6 | 6 | |
| 6 | 145 0252 000 | V19.00410 | RONDELLA / WASHER / RONDELLE / BEILAGSCHEIBE | 6 | 6 | |
| 7 | 145 9961 000 | V09.00410 | RONDELLA / WASHER / RONDELLE / BEILAGSCHEIBE | 6 | 6 | |
| 8 | 145 0545 000 | H04.08500 | GUARNIZIONE / GASKET / JOINT / DICHTUNG | 2 | 2 | |
| 9 | 145 4566 000 | X60.008AA | TUBO ASPIR. / VACUUM HOSE / TUYAU / SAUGSCHLAUCH | 1 | 1 | |
| 10 | 145 4567 000 | X60.009AA | TERMINALE TUBO ASP. / TERMINAL / TERMINAL / TERMINAL | 1 | 1 | |
| 11 | 145 8494 000 | G05.09200 | SENSORE / SENSOR / SENSOR / SENSOR | 1 | 1 | |
| 12 | 145 0566 000 | E02.68100 | FLANGIA / FLANGE / FLASQUE / FLANSCH | 1 | 1 | |
| 13 | 145 0492 000 | V02.00510 | VITE / SCREW / VIS / SCHRAUBE | 3 | 3 | |
| 14 | 145 0246 000 | V09.02210 | RONDELLA / WASHER / RONDELLE / BEILAGSCHEIBE | 6 | 6 | |
| 15 | 145 9934 000 | V13.01910 | DADO / NUT / ECROU / MUT | 3 | 3 | |
| 16 | 145 8502 000 | G02.11200 | POMPA / PUMP / POMPE / PUMPE | | | 1 |
| 17 | 145 8579 000 | E02.63400 | BLOCCHETTO / BLOCK / BLOC / ANPASSKOERPER | | | 1 |
| 18 | 145 8580 000 | E02.61800 | PASSAPARATIA / PIPE FITTING / CLOISON / VERBINDUNG | 1 | 1 | 1 |
| 19 | 145 9222 000 | M03.002 | PORTAGOMMA / PIPE HOLDER / RACCORD / GUMMIHALTER | | | 1 |
| 20 | 145 0590 000 | M03.08000 | RIDUZIONE / REDUCTION / REDUCTION / REDUKTION | | | 1 |
| 21 | 145 8577 000 | M03.039 | PORTAGOMMA / PIPE HOLDER / RACCORD / GUMMIHALTER | | | 2 |
| 22 | 145 4178 000 | H05.08740 | TUBO / PIPE / TUYAU / SCHLAUCH | | | 1 |
| 23 | 145 1104 000 | V20.04600 | FASCETTA / CLAMP / COLLIER / PASSRING | | | 1 |
| 24 | 145 0588 000 | V20.04700 | FASCETTA / CLAMP / COLLIER / PASSRING | | | 3 |
| 25 | 145 4177 000 | H05.08730 | TUBO / PIPE / TUYAU / SCHLAUCH | | | 1 |
| 26 | 145 9942 000 | G02.12900 | GRUPPO ELETTROVALVOLE / ELECTROVALVE / ELECTROVALVE / ELEKTROVENTIL | 1 | 1 | |
| 27 | 145 0531 000 | F03.64100 | SUPPORTO / SUPPORT / SUPPORT / HALTER | 1 | 1 | |
| 28 | 145 0532 000 | V01.03210 | VITE / SCREW / VIS / SCHRAUBE | 2 | 2 | |
| 29 | 145 0530 000 | M03.25400 | PORTAGOMMA / PIPE HOLDER / RACCORD / GUMMIHALTER | 2 | 2 | |
| 30 | 145 0534 000 | H04.10000 | GUARNIZIONE / GASKET / JOINT / DICHTUNG | 2 | 2 | |
| 31 | 145 4166 000 | H05.07200 | TUBO / PIPE / TUYAU / SCHLAUCH | 1 | 1 | |
| 32 | 145 4168 000 | H05.07400 | TUBO / PIPE / TUYAU / SCHLAUCH | 1 | 1 | |
| 33 | 145 0535 000 | V20.04800 | FASCETTA / CLAMP / COLLIER / PASSRING | 4 | 4 | |
| 35 | 145 8588 000 | E04.08200 | MOLLA / SPRING / RESSORT / FEDER | 1 | 1 | |
| 36 | 145 8589 000 | H03.06300 | TUBO / PIPE / TUYAU / SCHLAUCH | 1 | 1 | |
| 37 | 145 1712 000 | H06.03890 | TUBO / PIPE / TUYAU / SCHLAUCH | 1 | 1 | |
| 38 | 145 0541 000 | V20.01200 | FASCETTA / CLAMP / COLLIER / PASSRING | 3 | 3 | |
| 39 | 145 1708 000 | H06.03850 | TUBO / PIPE / TUYAU / SCHLAUCH | 1 | 1 | |
| 40 | 145 0543 000 | V20.04500 | FASCETTA / CLAMP / COLLIER / PASSRING | 2 | 2 | |
| 41 | 145 0411 000 | H08.00060 | CONVOGLIATORE / CONVEYOR / VONVOYEUR / BEFÖRDERN | 1 | 1 | |
| 42 | 145 4849 000 | - | MOTORE / MOTOR / MOTEUR / MOTOR | 1 | 1 | |
| 43 | 145 0539 000 | F03.67900 | SUPPORTO / SUPPORT / SUPPORT / HALTER | 1 | 1 | |
| 45 | 145 9960 000 | V13.00410 | DADO / NUT / ECROU / MUT | 2 | 2 | |
| 47 | 145 9959 000 | V02.00310 | VITE / SCREW / VIS / SCHRAUBE | 2 | 2 | |
| 48 | 145 0246 000 | V09.02210 | RONDELLA / WASHER / RONDELLE / BEILAGSCHEIBE | 2 | 2 | |
| 49 | 145 0252 000 | V19.00410 | RONDELLA / WASHER / RONDELLE / BEILAGSCHEIBE | 2 | 2 | |

TAV. C / DRAW. C / VUE C / ZEICHN. C

AW445

S32EM445(4)99-01



TAV. F / DRAW. F / VUE F / ZEICHN. F

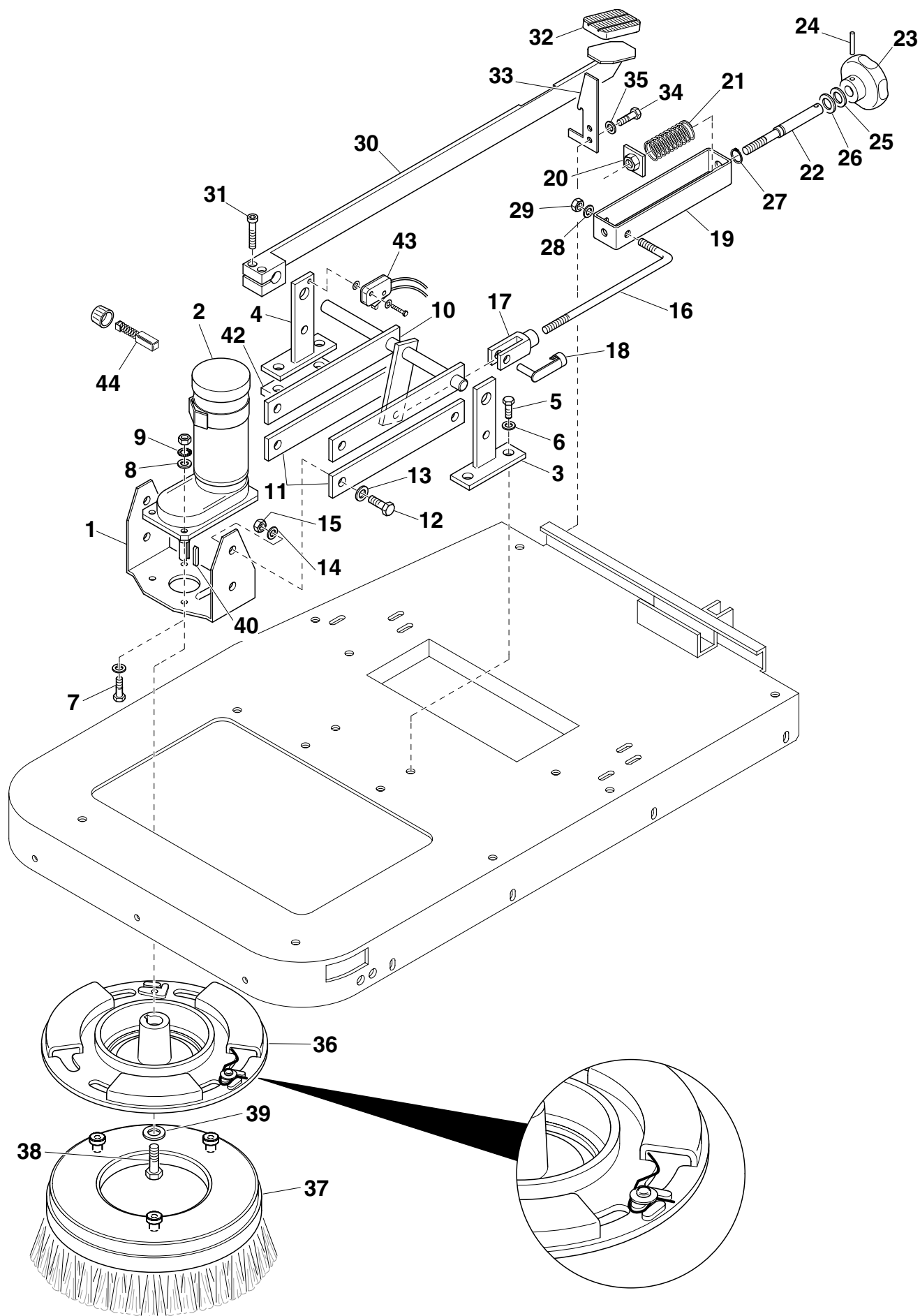
AW445 S32EM445(4)99-01

| POSIZ. ITEM POS. EINSAT. | CODICE CODE CODE NUMMER | CODICE INTERNO INTERNAL CODE CODE INTERIEUR INTERNE NUMMER | DESCRIZIONE DESCRIPTION DESCRIPTION BEZEICHNUNG | B | M | O |
|-----------------------------------|----------------------------------|---|---|---|---|---|
| 40 | 145 8470 000 | V17.10100 | LINGUETTA / TAB / CLAVETTE / KEIL | 1 | 1 | |
| 42 | 145 4870 000 | F03.70160 | SPESSORE / WASHER / EPAISSEUR / BLECHSTÜCK | 1 | 1 | |
| 43 | 145 4799 000 | - | MICROINT. / MICROSWITCH / MICROINTERRUPTEUR / MICROSCHALTER | 1 | 1 | |
| 44 | 145 8645 000 | A11.01100 | CARBONCINO / CARBON BRUSH / FUSAIN / KOHLENSTIFT | 2 | 2 | |

TAV. F / DRAW. F / VUE F / ZEICHN. F

AW445

S32EM445(4)99-01



TAV. C / DRAW. C / VUE C / ZEICHN. C

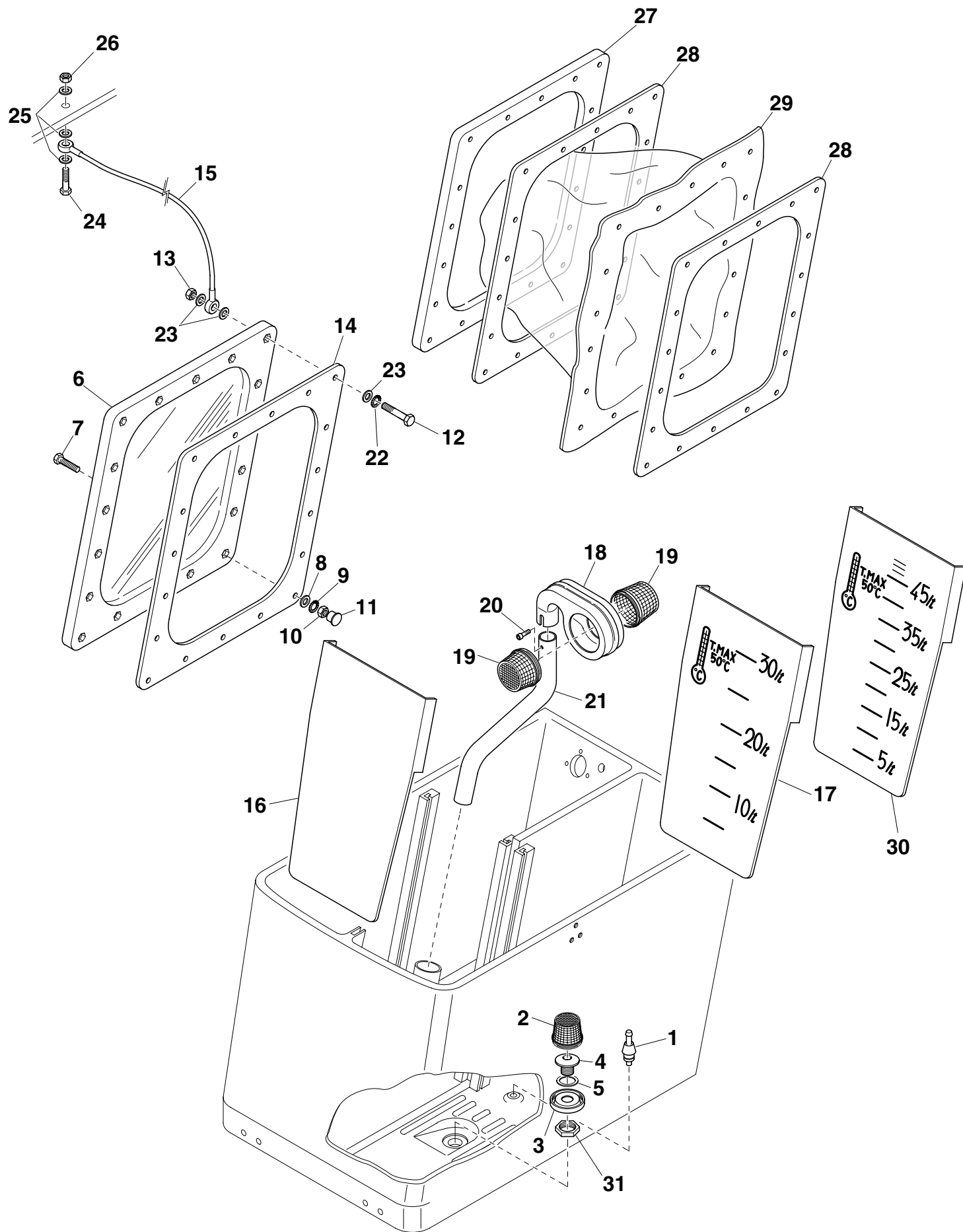
AW445 S32EM445(4)99-01

| POSIZ. ITEM POS. EINSAT. | CODICE CODE CODE NUMMER | CODICE INTERNO INTERNAL CODE CODE INTERIEUR INTERNE NUMMER | DESCRIZIONE DESCRIPTION DESCRIPTION BEZEICHNUNG | B | M | O |
|-----------------------------------|----------------------------------|---|--|---|---|---|
| 50 | 145 1623 000 | E08.15220 | GUAINA / SHEATH / GAINÉ / MANTEL | 1 | 1 | |
| 51 | 145 0550 000 | F03.69480 | STAFFA / HANGER / ETRIER / BÜGEL | 1 | 1 | |
| 52 | 145 9959 000 | V02.00310 | VITE / SCREW / VIS / SCHRAUBE | 2 | 2 | |
| 53 | 145 0246 000 | V09.02210 | RONDELLA / WASHER / RONDELLE / BEILAGSCHEIBE | 2 | 2 | |
| 54 | 145 0252 000 | V19.00410 | RONDELLA / WASHER / RONDELLE / BEILAGSCHEIBE | 2 | 2 | |
| 55 | 145 8587 000 | E04.06300 | MOLLA / SPRING / RESSORT / FEDER | 1 | 1 | |
| 56 | 145 0478 000 | V02.01410 | VITE / SCREW / VIS / SCHRAUBE | 2 | 2 | |
| 57 | 145 9978 000 | V13.00510 | DADO / NUT / ECROU / MUT | 3 | 3 | |
| 58 | 145 8396 000 | V19.00510 | RONDELLA / WASHER / RONDELLE / BEILAGSCHEIBE | 2 | 2 | |
| 59 | 145 9979 000 | V09.00510 | RONDELLA / WASHER / RONDELLE / BEILAGSCHEIBE | 1 | 1 | |
| 60 | 145 1703 000 | H06.03790 | TUBO / PIPE / TUYAU / SCHLAUCH | 1 | 1 | |
| 63 | 145 0565 000 | H04.10590 | GUARNIZIONE OR / GASKET / JOINT / DICHTUNG | 1 | 1 | |
| 64 | 145 0534 000 | H04.10000 | GUARNIZIONE OR / GASKET / JOINT / DICHTUNG | 1 | 1 | |
| 65 | 145 0530 000 | M03.25400 | PORTAGOMMA / PIPE HOLDER / RACCORD / GUMMIHALTER | 1 | 1 | |
| 66 | 145 8503 000 | G02.12400 | SOLENOIDE / SOLENOID / SOLENOIDE / SOLENOID | 3 | 3 | |
| 67 | 145 0423 000 | H04.10510 | GUARNIZIONE OR / GASKET / JOINT / DICHTUNG | 1 | 1 | |
| 68 | 145 0585 000 | E02.63900 | TUBO ESAGONALE / PIPE / TUYAU / SCHLAUCH | | | 1 |
| 69 | 145 1707 000 | H06.03840 | TUBO / PIPE / TUYAU / SCHLAUCH | 1 | 1 | |
| 70 | 145 4824 000 | - | DISTANZIALE / WASHER / RONDELLE / BEILAGSCHEIBE | 2 | 2 | |
| 71 | 145 4911 000 | - | GOMMA / RUBBER / CAOUTCHOU / GUMMI | 2 | 2 | |
| 72 | 145 5016 000 | - | RACCORDO A 90° 1/2" / CONNECTOR / RACCORD / ANSCHLUß | 1 | 1 | |
| 73 | 145 5015 000 | - | RUBINETTO 1/2" / PLUG COCK / ROBINET / HAHN | 1 | 1 | |
| 74 | 145 0555 000 | - | VITE / SCREW / VIS / SCHRAUBE | 2 | 2 | |

TAV. D / DRAW. D / VUE D / ZEICHN. D

AW445

S32EM445(4)99-01



TAV. F / DRAW. F / VUE F / ZEICHN. F

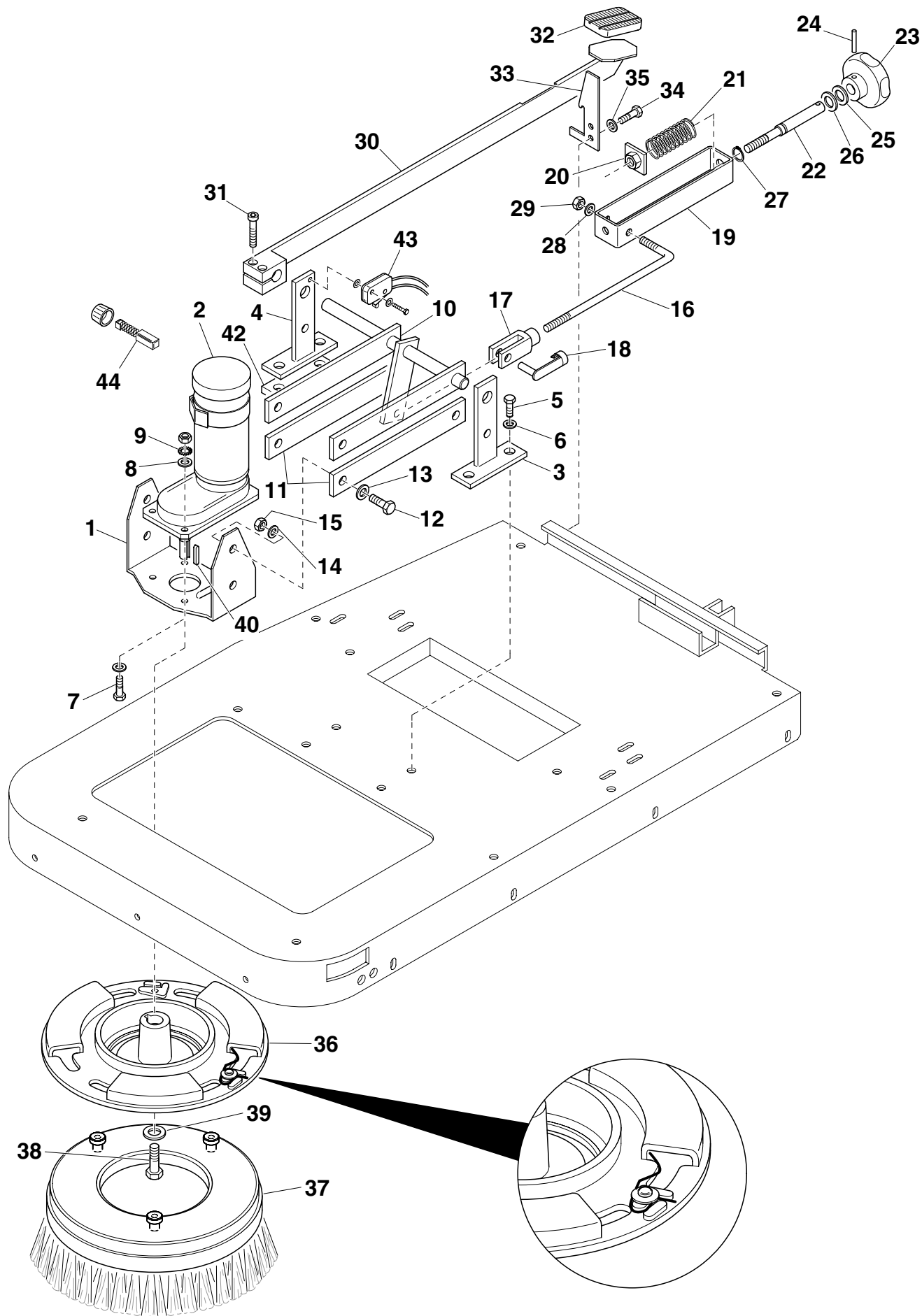
AW445 S32EM445(4)99-01

| POSIZ. ITEM POS. EINSAT. | CODICE CODE CODE NUMMER | CODICE INTERNO INTERNAL CODE CODE INTERIEUR INTERNE NUMMER | DESCRIZIONE DESCRIPTION DESCRIPTION BEZEICHNUNG | B | M | O |
|-----------------------------------|----------------------------------|---|--|---|---|---|
| 1 | 145 0469 000 | F04.21180 | PIASTRA / PLATE / PLAQUE / PLATTE | 1 | 1 | |
| 2 | 145 0471 000 | A05.01750 | MOTORID. / REDUCTION GEAR / MOTORED. / VERMINDERUNGSGETRIEBE | 1 | 1 | |
| 3 | 145 0475 000 | F04.12701 | MONTANTE / SUPPORT / SUPPORT / PFOSTEN | 1 | 1 | |
| 4 | 145 4869 000 | | MONTANTE / SUPPORT / SUPPORT / PFOSTEN | 1 | 1 | |
| 5 | 145 9968 000 | V02.01310 | VITE / SCREW / VIS / SCHRAUBE | 4 | 4 | |
| 6 | 145 9979 000 | V09.00510 | RONDELLA / WASHER / RONDELLE / BEILAGSCHEIBE | 4 | 4 | |
| 7 | 145 9959 000 | V02.00310 | VITE / SCREW / VIS / SCHRAUBE | 4 | 4 | |
| 8 | 145 0246 000 | V09.02210 | RONDELLA / WASHER / RONDELLE / BEILAGSCHEIBE | 4 | 4 | |
| 9 | 145 0252 000 | V19.00410 | RONDELLA / WASHER / RONDELLE / BEILAGSCHEIBE | 4 | 4 | |
| 10 | 145 0473 000 | F04.12802 | LEVA / LEVER / LEVIER / HEBEL | 1 | 1 | |
| 11 | 145 0474 000 | F04.12902 | LEVA / LEVER / LEVIER / HEBEL | 2 | 2 | |
| 12 | 145 0478 000 | V02.01410 | VITE / SCREW / VIS / SCHRAUBE | 6 | 6 | |
| 13 | 145 0477 000 | E05.18500 | DISTANZIALE / WASHER / RONDELLE / BEILAGSCHEIBE | 6 | 6 | |
| 14 | 145 8395 000 | V09.02010 | RONDELLA / WASHER / RONDELLE / BEILAGSCHEIBE | 6 | 6 | |
| 15 | 145 9969 000 | V13.02010 | DADO / NUT / ECROU / MUT | 6 | 6 | |
| 16 | 145 1148 000 | E02.68200 | TIRANTE / TENSION ROD / TIRANT / ZUGSTANGE | 1 | 1 | |
| 17 | 145 8472 000 | V17.022 | FORCELLA / FORK / FOURCHETTE / GABELSTUECK | 1 | 1 | |
| 18 | 145 8473 000 | V17.023 | CLIP / CIRCLIP / CLIP / KLIPP | 1 | 1 | |
| 19 | 145 0482 000 | F03.45000 | CONTENITORE / CONTAINER / BAC / BEHALTER | 1 | 1 | |
| 20 | 145 0483 000 | F04.12500 | DADO ANTIROTAZIONE / NUT / ECROU / MUT | 1 | 1 | |
| 21 | 145 0484 000 | E04.09430 | MOLLA / SPRING / RESSORT / FEDER | 1 | 1 | |
| 22 | 145 0485 000 | E02.67400 | ALBERO / SHAFT / ARBRE / WELLE | 1 | 1 | |
| 23 | 145 0486 000 | L02.16150 | VOLANTINO / KNOB / MOLETTE / HANDRAD | 1 | 1 | |
| 24 | 145 0487 000 | V17.11200 | SPINA / PIN / GOUPILLE / STIFT | 1 | 1 | |
| 25 | 145 0488 000 | V09.00750 | RONDELLA / WASHER / RONDELLE / BEILAGSCHEIBE | 1 | 1 | |
| 26 | 145 9165 000 | V09.007 | RONDELLA / WASHER / RONDELLE / BEILAGSCHEIBE | 1 | 1 | |
| 27 | 145 9187 000 | V14.006 | SEEGER / RETAINING RING / CIRCLIPS / SICHERUNGSRINGT | 1 | 1 | |
| 28 | 145 8396 000 | V19.00510 | RONDELLA / WASHER / RONDELLE / BEILAGSCHEIBE | 1 | 1 | |
| 29 | 145 9978 000 | V13.00510 | DADO / NUT / ECROU / MUT | 1 | 1 | |
| 30 | 145 8604 000 | F04.14300 | PEDALE / PEDAL / PEDALE / PEDAL | 1 | 1 | |
| 31 | 145 9828 000 | V01.01900 | VITE / SCREW / VIS / SCHRAUBE | 2 | 2 | |
| 32 | 145 8478 000 | H02.063 | COPRIPEDALE / PEDAL COVER / HOUSSE PEDALE / PEDALDECKUNG | 1 | 1 | |
| 33 | 145 0505 000 | F03.69490 | PIASTRA / PLATE / PLAQUE / PLATTE | 1 | 1 | |
| 34 | 145 9959 000 | V02.00310 | VITE / SCREW / VIS / SCHRAUBE | 2 | 2 | |
| 35 | 145 0246 000 | V09.02210 | RONDELLA / WASHER / RONDELLE / BEILAGSCHEIBE | 2 | 2 | |
| 36 | 145 4379 000 | RDDBORE26 | MOZZO / HUB / MOYEU / NABE | 1 | 1 | |
| 37 | 145 0096 000 | B04.01700 | SPAZZOLA / BRUSH / BROSSSE / BUERSTE STANDARD | | | 1 |
| 37 | 145 0041 000 | B04.02100 | SPAZZOLA / BRUSH / BROSSSE / BUERSTE SOFT | | | 1 |
| 37 | 145 0042 000 | B04.02200 | SPAZZOLA / BRUSH / BROSSSE / BUERSTE IN SAGGINA | | | 1 |
| 37 | 145 0063 000 | B04.02800 | SPAZZOLA / BRUSH / BROSSSE / BUERSTE IN TYNEX | | | 1 |
| 37 | 145 2311 000 | B04.04600 | DISCO / PAD / DISQUE / DISK NERO | | | 1 |
| 37 | 145 2315 000 | B04.05000 | DISCO / PAD / DISQUE / DISK ROSSO | | | 1 |
| 37 | 145 2316 000 | B04.05100 | DISCO / PAD / DISQUE / DISK VERDE | | | 1 |
| 37 | 145 0043 000 | B04.02000 | DISCO TRASCINAT. / PAD HOLDER / DISQUE D'ENTRAIN / TREIBTELLER | | | 1 |
| 38 | 145 0478 000 | V02.01410 | VITE / SCREW / VIS / SCHRAUBE | 1 | 1 | |
| 39 | 145 0494 000 | V09.02510 | RONDELLA / WASHER / RONDELLE / BEILAGSCHEIBE | 1 | 1 | |

TAV. F / DRAW. F / VUE F / ZEICHN. F

AW445

S32EM445(4)99-01



TAV. D / DRAW. D / VUE D / ZEICHN. D

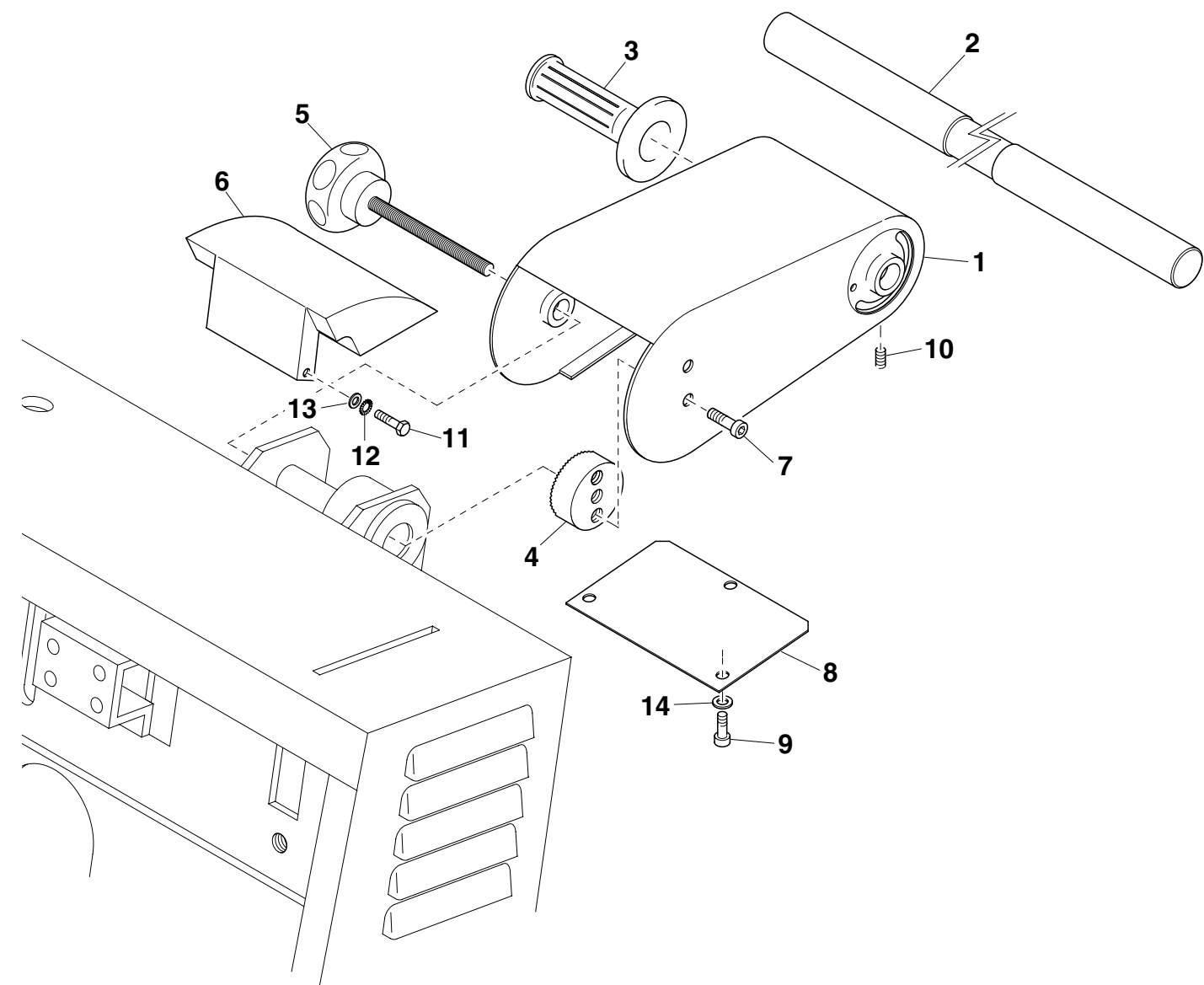
AW445 S32EM445(4)99-01

| POSIZ. ITEM POS. EINSAT. | CODICE CODE CODE NUMMER | CODICE INTERNO INTERNAL CODE CODE INTERIEUR INTERNE NUMMER | DESCRIZIONE DESCRIPTION DESCRIPTION BEZEICHNUNG | B | M | O |
|-----------------------------------|----------------------------------|---|--|----|----|---|
| 1 | 145 0558 000 | G05.11140 | SENSORE / SENSOR / SENSOR / SENSOR | 1 | 1 | |
| 2 | 145 0394 000 | H08.00100 | FILTRO / FILTER / FILTRE / FILTER | 1 | 1 | |
| 3 | 145 0410 000 | H08.00110 | BASE CESTINO DI FONDO / SUPPORT / SUPPORT / HALTER | 1 | 1 | |
| 4 | 145 0422 000 | H08.00160 | RACCORDO / CONNECTOR / RACCORD / ANSCHLUß | 1 | 1 | |
| 5 | 145 0536 000 | H04.10580 | GUARNIZIONE / GASKET / JOINT / DICHTUNG | 1 | 1 | |
| 6 | 145 0352 000 | F01.21680 | TELAIO / FRAME / CHASSIS / RAHMEN | 1 | 1 | |
| 7 | 145 0553 000 | V02.00610 | VITE / SCREW / VIS / SCHRAUBE | 17 | 17 | |
| 8 | 145 0246 000 | V09.02210 | RONDELLA / WASHER / RONDELLE / BEILAGSCHEIBE | 18 | 18 | |
| 9 | 145 0252 000 | V19.00410 | RONDELLA / WASHER / RONDELLE / BEILAGSCHEIBE | 18 | 18 | |
| 10 | 145 0554 000 | V13.09630 | DADO / NUT / ECROU / MUT | 18 | 18 | |
| 11 | 145 4618 000 | - | COPRIDADO / COVER FOR NUT / COUVRE-ECROU / MUTTERKASTEN | 18 | 18 | |
| 12 | 145 0555 000 | V02.07810 | VITE / SCREW / VIS / SCHRAUBE | 1 | 1 | |
| 13 | 145 9960 000 | V13.00410 | DADO / NUT / ECROU / MUT | 1 | 1 | |
| 14 | 145 0335 000 | H04.10530 | GUARNIZIONE / GASKET / JOINT / DICHTUNG | 1 | 1 | |
| 15 | 145 8498 000 | E08.13000 | CAVO / CABLE / CABLE / KABEL | 1 | 1 | |
| 16 | 145 0567 000 | H08.00140 | PARATIA / DIVIDING PLATE / CLOISON / SCHOTT DX | 1 | 1 | |
| 17 | 145 0583 000 | H08.00120 | PARATIA / DIVIDING PLATE / CLOISON / SCHOTT SX | 1 | 1 | |
| 18 | 145 0396 000 | H01.25930 | PROTEZIONE / GUARD / PROTECTION / SCHUTZ | 1 | 1 | |
| 19 | 145 0394 000 | H08.00100 | FILTRO / FILTER / FILTRE / FILTER | 2 | 2 | |
| 20 | 145 0172 000 | V04.05060 | VITE / SCREW / VIS / SCHRAUBE | 1 | 1 | |
| 21 | 145 8492 000 | H05.03600 | TUBO ASPIR. / VACUUM HOSE / TUYAU / SAUGSCHLAUCH | 1 | 1 | |
| 22 | 145 0252 000 | V19.00410 | RONDELLA / WASHER / RONDELLE / BEILAGSCHEIBE | 1 | 1 | |
| 23 | 145 0246 000 | V09.02210 | RONDELLA / WASHER / RONDELLE / BEILAGSCHEIBE | 3 | 3 | |
| 24 | 145 0245 000 | V02.08410 | VITE / SCREW / VIS / SCHRAUBE | 1 | 1 | |
| 25 | 145 0246 000 | V09.02210 | RONDELLA / WASHER / RONDELLE / BEILAGSCHEIBE | 5 | 5 | |
| 26 | 145 9934 000 | V13.01910 | DADO / NUT / ECROU / MUT | 1 | 1 | |
| 27 | 145 0584 000 | F01.21500 | TELAIO / FRAME / CHASSIS / RAHMEN | | | 1 |
| 28 | 145 0335 000 | H04.10530 | GUARNIZIONE / GASKET / JOINT / DICHTUNG | | | 2 |
| 29 | 145 0289 000 | H02.34460 | MEMBRANA / MEMBRANE / MEMBRANE / MEMBRAN | | | 1 |
| 30 | 145 0592 000 | H08.00130 | PARATIA SX / BUFFLE / CLOISON / SCHOTT | | | 1 |
| 31 | 145 8578 000 | V13.07120 | GHIERA / NUT / ECROU / RING | 1 | 1 | |

TAV. E / DRAW. E / VUE E / ZEICHN. E

AW445

S32EM445(4)99-01



TAV. E / DRAW. E / VUE E / ZEICHN. E

AW445 S32EM445(4)99-01

| POSIZ. ITEM POS. EINSAT. | CODICE CODE CODE NUMMER | CODICE INTERNO INTERNAL CODE CODE INTERIEUR INTERNE NUMMER | DESCRIZIONE DESCRIPTION DESCRIPTION BEZEICHNUNG | B | M | O |
|-----------------------------------|----------------------------------|---|---|---|---|---|
| 1 | 145 0526 000 | F04.21160 | MANUBRIO / HANDLE / GUIDON / LENKER | 1 | 1 | |
| 2 | 145 0527 000 | E02.69050 | MANOPOLA / KNOB / POIGNEE / DREHKNOPF | 1 | 1 | |
| 3 | 145 8568 000 | L02.09500 | MANOPOLA / KNOB / POIGNEE / DREHKNOPF | 2 | 2 | |
| 4 | 145 8532 000 | E02.63600 | MARGHERITA / COG WHEEL / ENGRENAGES / ZAHNRAD | 1 | 1 | |
| 5 | 145 8455 000 | L02.14500 | VOLANTINO / KNOB / MOLETTE / HANDRAD | 1 | 1 | |
| 6 | 145 8530 000 | H01.21200 | CARTER / CRANKCASE / CARTER / GEHAEUSE | 1 | 1 | |
| 7 | 145 0529 000 | V01.005 | VITE / SCREW / VIS / SCHRAUBE | 2 | 2 | |
| 8 | 145 8531 000 | F03.46500 | CHIUSURA / PROTECTION SIDE PLATE / FERMATURE / VERSCHLUSS | 1 | 1 | |
| 9 | 145 0572 000 | V03.05010 | VITE / SCREW / VIS / SCHRAUBE | 3 | 3 | |
| 10 | 145 9192 000 | V08.001 | GRANO / DOWEL / GOUPILLE / STIFT | 2 | 2 | |
| 11 | 145 4478 000 | V02.061 | VITE / SCREW / VIS / SCHRAUBE | 2 | 2 | |
| 12 | 145 0514 000 | V19.00310 | RONDELLA / WASHER / RONDELLE / BEILAGSCHEIBE | 2 | 2 | |
| 13 | 145 9955 000 | V09.00310 | RONDELLA / WASHER / RONDELLE / BEILAGSCHEIBE | 2 | 2 | |
| 14 | 145 0441 000 | V09.00210 | RONDELLA / WASHER / RONDELLE / BEILAGSCHEIBE | 3 | 3 | |