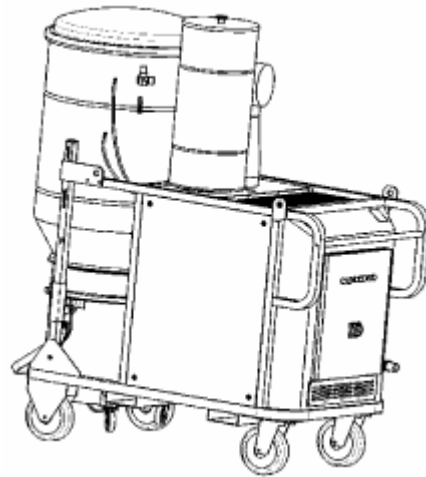


3997

Model:
3997
3997H
3997L
3997M



Part List US-English

12-02-2015

Table of Contents

3997

Frame	3
Container unit	5
Shaker unit	7
Filter group	9
Suction unit	11
Control panel	13
Electric board	15
Intake unit	17

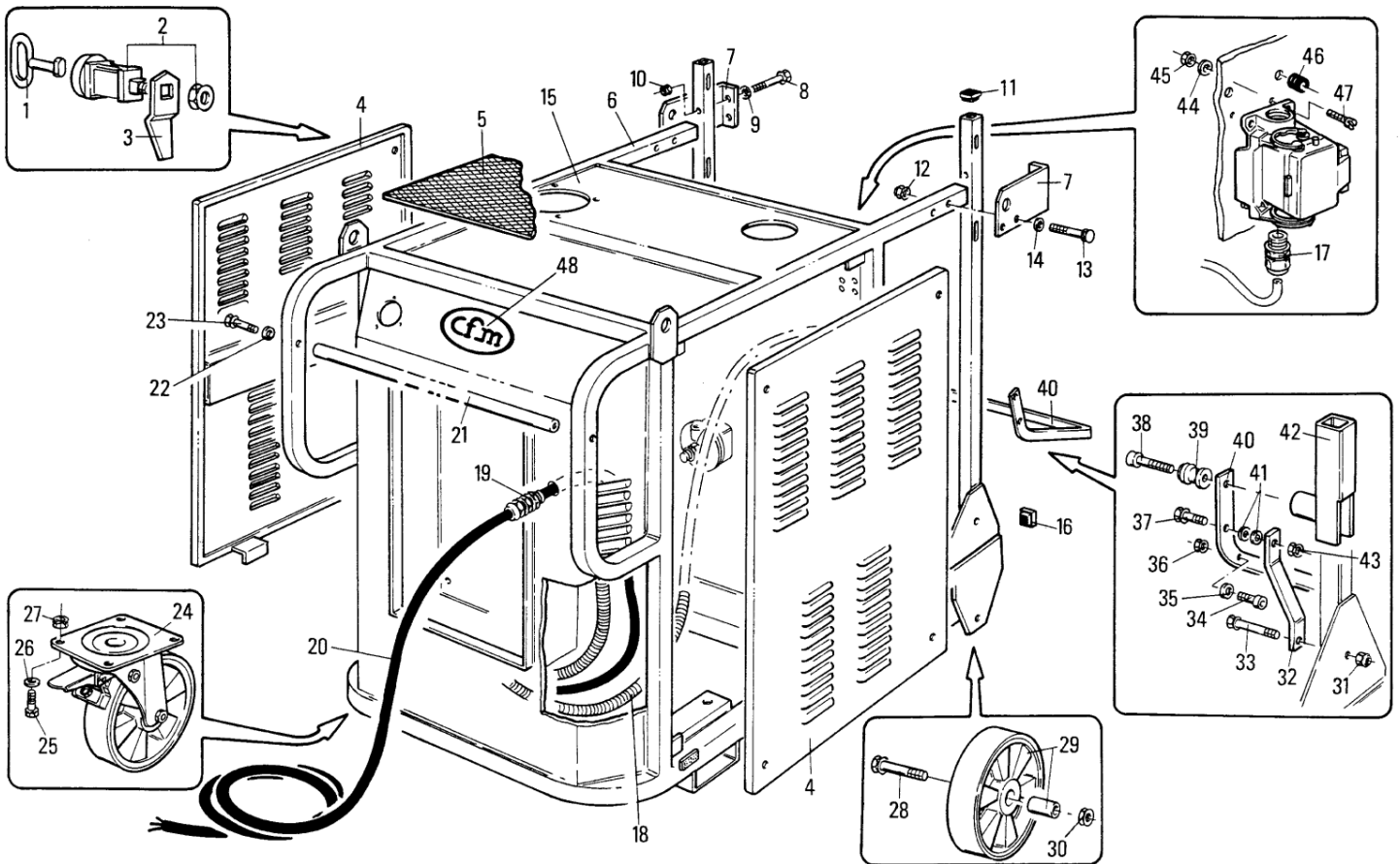
Frame

3997

12-02-2015

Part List ID 399702

3



Frame

3997

12-02-2015

Part List ID
3997/02

4

Pos	Part no.	Qty	Description
1	Z8 40245	1	KEY x LOCK
2	Z8 40270	8	PANEL LOCK MOD.3997
3	Z8 40271	8	CAM x CLOSURE 3997
4	Z8 35040	2	LATERAL PANEL 3997
5	Z8 17338	1	TANK BELT MOD.3997
6	Z8 36166	1	CAR MODEL 3997 FE STANDARD
7	Z8 18343	2	LIFTING BRACKET
11	Z8 40035	2	SQUARE PLUG 40 x 40 PVC
15	Z8 16127	1	ACCESSORIES TANK 3997
16	Z8 40036	2	SQUARE PLUG 50 x 50 PVC
17	Z8 39055	2	CABLE GLAND PG16 PA
18	Z8 39035	1	CABLE 4G1.5 FROR AL M
19	Z8 39263	1	CABLE GLANDPG29 OTT.
20	Z8 39034	1	CABLE 4G10 NE. AL M
21	Z8 18344	1	HANDLE MODEL 3997
24	Z8 40250	2	CASTOR D250 PLATE 3997
29	Z8 40251	2	WHEEL FIX D250 MOD.3997
32	Z8 14090	2	LIFTING LEVER MOD.3997
39	Z8 14038	2	RELEASE SHEAVE D560
40	Z8 14074	1	LEVER RELEASE PUSH D560 FE
42	Z8 36056	2	MOBILE SLIDER 3997
43	Z8 14076	2	HIGH PIN RELEASE D560
46	Z8 39039	2	PLATE PASS D9
48	Z8 17340	1	LABEL CFM BIG WHITE

Container unit

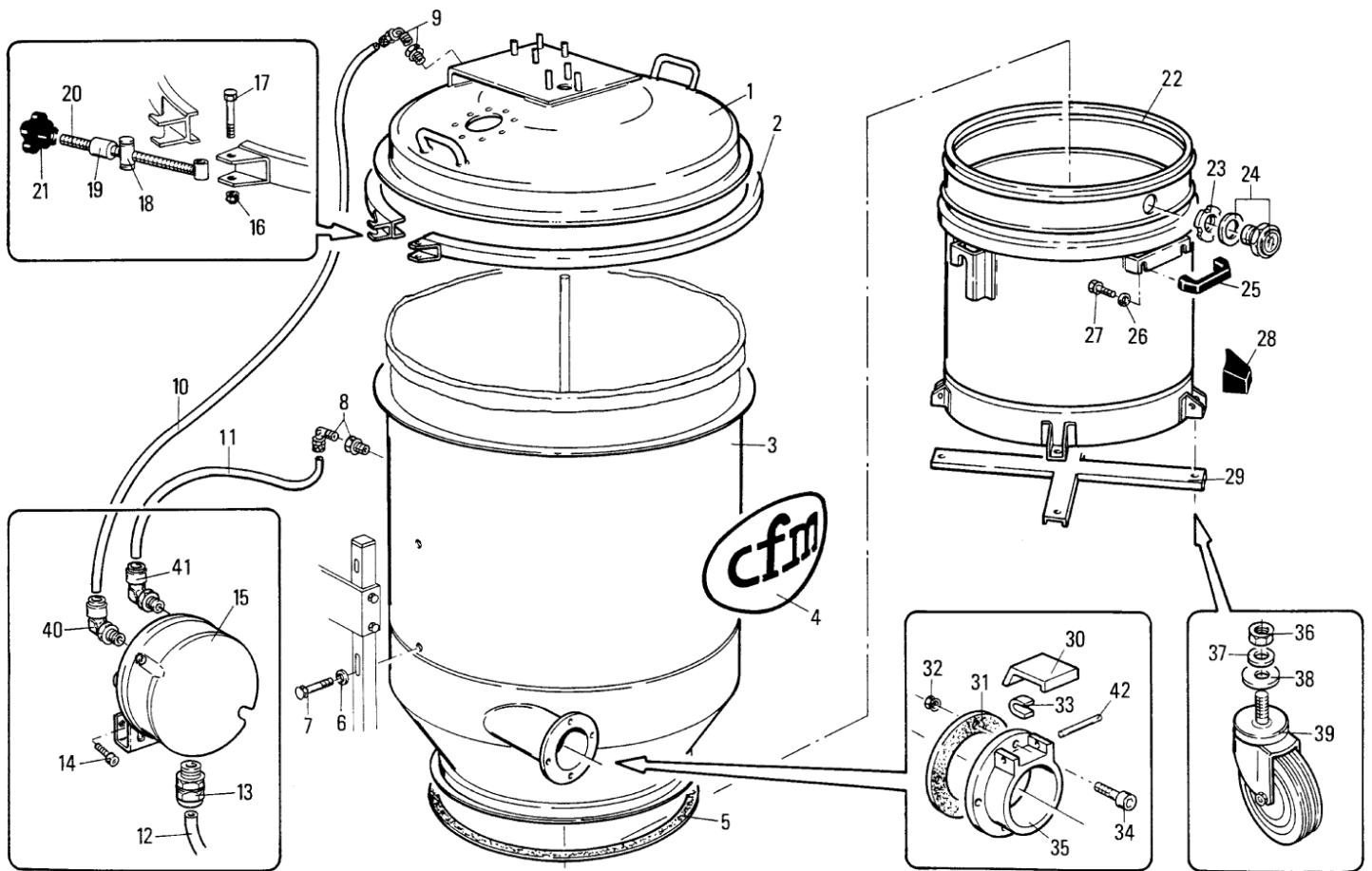
3997

12-02-2015

Part List ID

399704

5



Container unit

3997

12-02-2015

Part List ID

3997/04

6

Pos	Part no.	Qty	Description	
0	Z8 30090	1	CONTAINER D560x700 FE COMPL. RELEASE	POS. 22-29, 36-39
0	Z8 31186	1	FILT.CHAMBER D780/560x935 FE C	POS. 3-5, 30-35
0	Z8 32180	1	INLET AL. D100 COMPL. FLAT	POS. 30, 33, 35, 42
1	Z8 31111	1	CAP D780 FE HOLE D120 ELECT.FILT.SHAKER	
2	Z8 36192	1	BAND LOCK D.780	
3	Z8 31092	1	FILT.CHAMBER D780/560x935 FE MOD.3997	
4	Z8 17083	1	GREEN LABEL CFM BIG GREEN	
5	Z8 17055	1	FILTER CHAMBER SEAL D560	
8	Z8 40180	1	CONNECTION BENT SWIVEL 1/4MD8	
9	Z8 40180	1	CONNECTION BENT SWIVEL 1/4MD8	
12	Z8 39035	1	CABLE 4G1.5 FROR AL M	
13	Z8 39055	1	CABLE GLAND PG16 PA	
15	Z8 40265	1	PRESS. DIFFERENT. FILTER 150MBAR	
18	Z8 14172	1	CLOSING PIN D780	
19	Z8 14170	1	LOCK SPACER D780	
20	Z8 14171	1	LOCK TIE ROD D780	
21	Z8 40030	1	KNOB D60 M10 THROUGH x FIXED SUCKER	
22	Z8 30025	1	CONTAINER D560x700 LT175 FE	
23	Z8 38001	1	INSP.WINDOW RING NUT D50	
24	Z8 40020	1	INSP.WINDOW D50	
25	Z8 40205	2	HANDGRIP BACHELITE CONTAINER	
28	Z8 17021	4	BUMPER WHEEL HOLDER	
29	Z8 36109	1	CONTAINER REINFORCEMENT D560	
30	Z8 32544	1	PUSHB. INLET 70 INOX	
31	Z8 17056	1	INLET SEAL D100	
33	Z8 13010	4	SPRING INLET D50	
35	Z8 13089	1	CRUSHED INLET D100	
39	Z8 40008	4	CASTOR D100VULKOLAN	
40	Z8 40150	1	CONNECTION BENT 1/4M D6	
41	Z8 40179	1	CONNECTION BENT SWIVEL 1/8MD6	
42	Z8 38020	2	ELASTIC PIN 3X16	

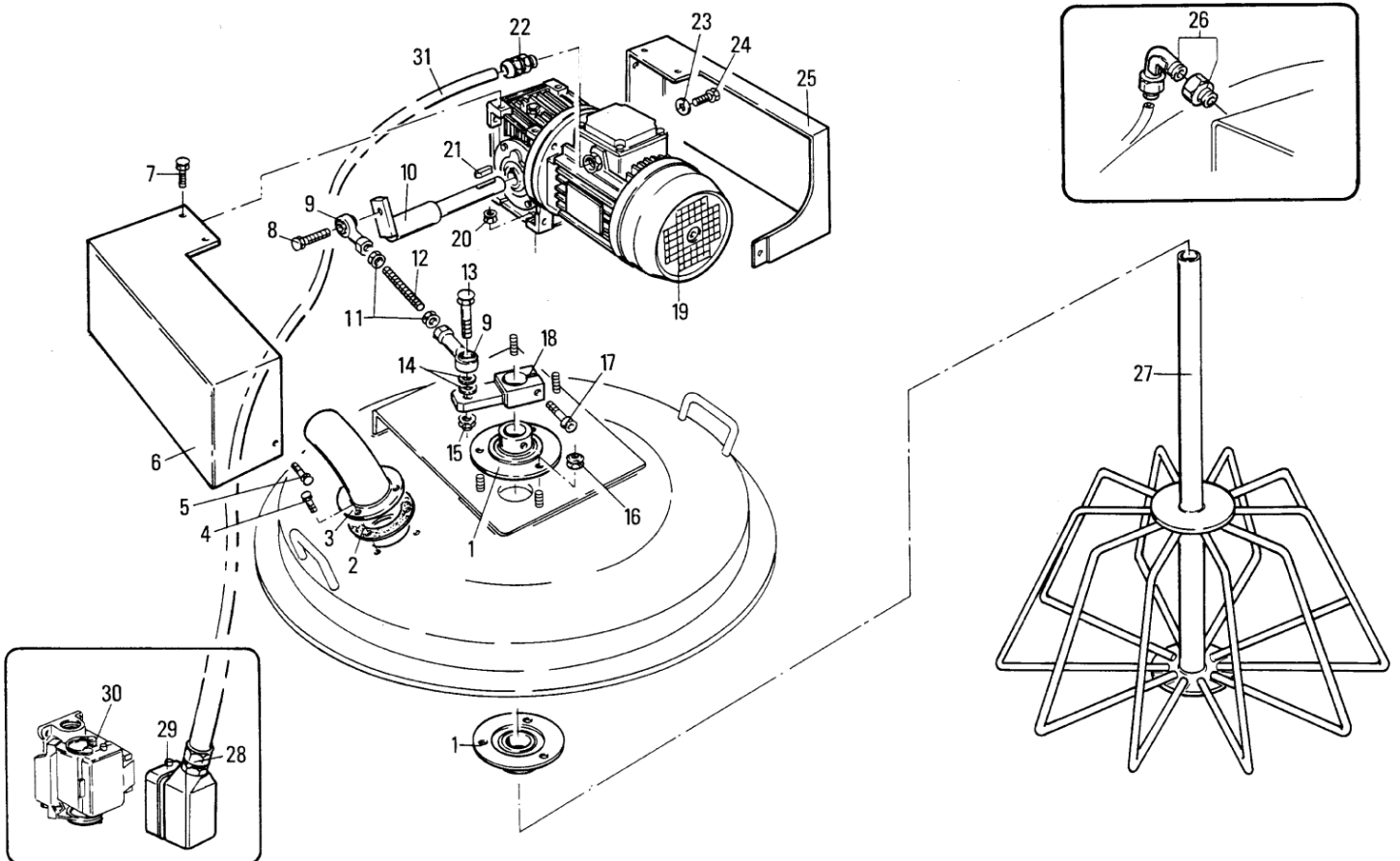
Shaker unit

3997

12-02-2015

Part List ID
399706

7



Shaker unit

3997

12-02-2015

Part List ID

3997/06

8

Pos	Part no.	Qty	Description	
0	Z5 60083	1	KIT ELECT.FILTER SHAKERD780 MOD.3997	POS. 1-31
1	Z8 38012	2	SUPPORT BEARING D30 FILTER SHAKER	
2	Z8 17056	1	INLET SEAL D100	
3	Z8 32118	1	BENT COUPL. D100 FL150 ZINC.	
6	Z8 16090	1	CARTER ELEC.F.SHAKER D780	
9	Z8 38007	2	UNIBOL D12 M12 FEMALE	
10	Z8 34019	1	PIN ELECT.FILTER SHAKER D780	
18	Z8 34018	1	ELECTRIC/FS LEVER D780	
19	Z8 56009	1	GEARBOX FILT.SHAKER D780	
21	Z8 38016	1	KEY 6X30	
22	Z8 39055	1	CABLE GLAND PG16 PA	
25	Z8 16090A	1	CARTER ELEC.F.SHAKER D780	
26	Z8 40180	1	CONNECTION BENT SWIVEL 1/4MD8	
27	Z8 33116	1	STAR CAGE D780 ELECTRIC	
28	Z8 39055	1	CABLE GLAND PG16 PA	
29	Z8 39327	1	MOBILE CASE x 6P+E ILME METAL IP65	
30	Z8 39328	1	FIX CASE x 6P+E ILME METAL IP65	
31	Z8 39035	1	CABLE 4G1.5 FROR AL M	

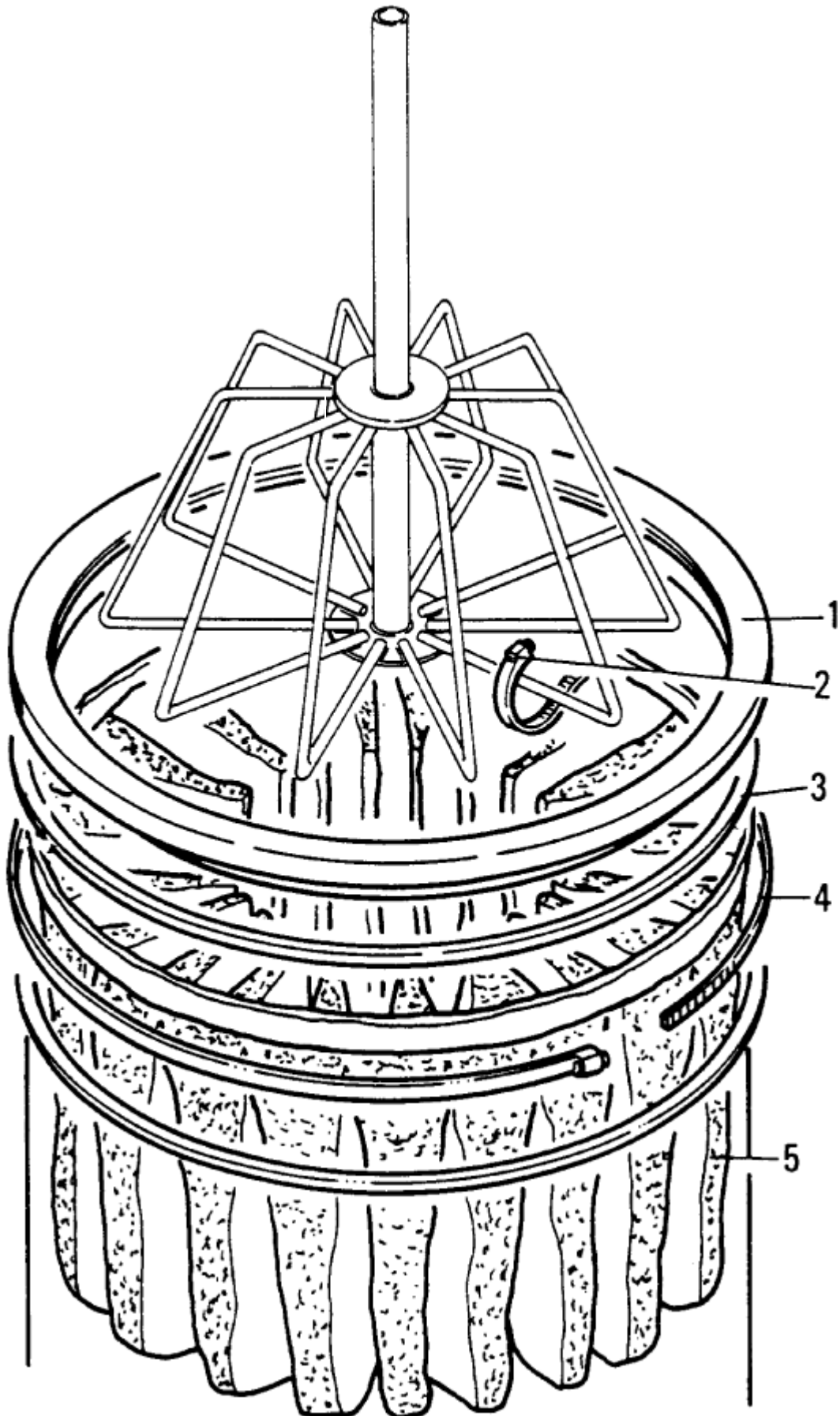
Filter group

3997

12-02-2015

Part List ID 399708

9



Filter group

3997

12-02-2015

Part List ID
399708

10

Pos	Part no.	Qty	Description
0	Z8 33138	1	FILTER COM.ST.D780 POS. 1-5
1	Z58 17285	1	FILTER SEAL D780 BLACK
2	Z8 40053	12	TIE x FILTERS PVC 120x7.8
3	Z8 15084	1	FILTER HOLDER RING D780 FE
4	Z8 18074	1	FILTER BLOCK TIE D780
5	Z8 17160	1	STAR FILTER 780 POLYESTER

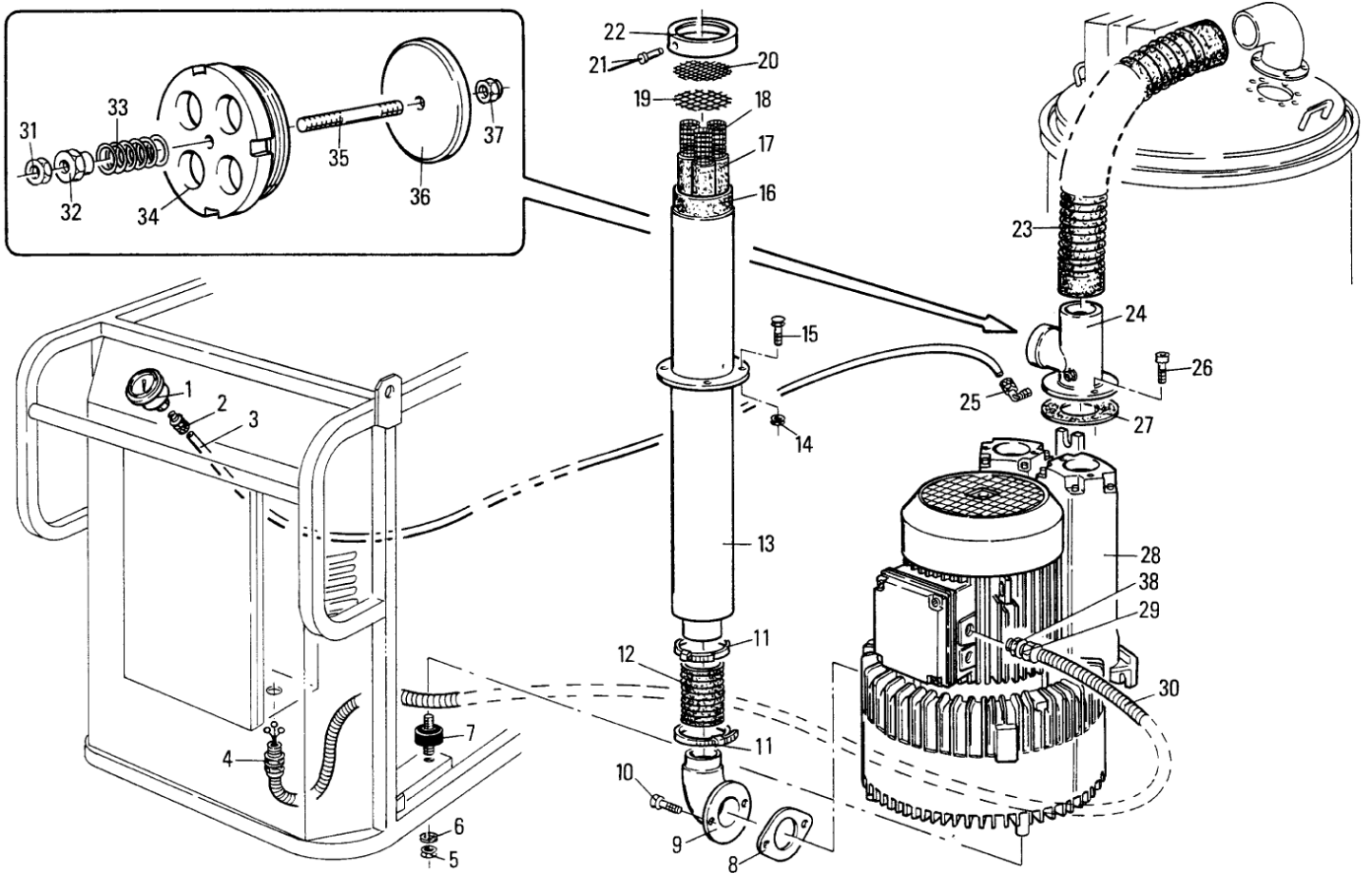
Suction unit

3997

12-02-2015

Part List ID
399710

11



Suction unit

3997

12-02-2015

Part List ID
3997/10

12

Pos	Part no.	Qty	Description	
0	Z8 32120	1	MUFFLER D150 MOD3997 COMP	POS. 13, 16-22
0	Z8 34025	1	RELIEF VALVE 3	POS. 32-37
1	Z8 40247	1	VACUUM GAUGE D63 MOD.3997 0/-76 CMHG	
2	Z8 40196	1	CONNECTION STRAIGHT 1/4F D6	
3	Z8 24076	1	TUBE RILSAN 6x4 x VAC. GAUGE	
4	Z8 39309	2	CABLE GLAND PG21 x SHEATH D22	
7	Z8 40063	3	PAD D60x30 M12 2M	
8	Z8 17256	2	SEAL X CONNECTIONS HP18	
9	Z8 32195	1	CONNECTION BLOWING 3997SERIES	
11	Z8 40044	2	TIE D90-120	
12	Z7 24079	1	TUBE RUBBER D100 IN METERS	
13	Z8 32196	1	MUFFLER D150 MOD. 3997	
16	Z8 13120	2	MUFFLER SPONGE D150	
17	Z8 13121	6	TUBE SPONGE MUFFLER D150	
18	Z8 13122	6	MUFFLER MESH TUBE D150	
19	Z8 13124	1	NET D150 MESH 12x12	
20	Z8 13123	1	NET D150 MESH 6x6	
22	Z8 13115	1	MUFFLER COVER D150 FE	
23	Z8 13156	1	CONNECTION TUBE 3707/3907	
24	Z8 32193	1	CONNECTION SUCTION 3997SERIES	
25	Z8 40179	1	CONNECTION BENT SWIVEL 1/8MD6	
27	Z8 17256	1	SEAL X CONNECTIONS HP18	
29	Z8 39205	2	CABLE GLAND PG21 PA	
30	Z8 39086	1	CABLE 4G6 NE. AL M	
32	Z8 14280	1	NUT x P.R.VALVE 3	
33	Z8 14251	1	SPRING X P.R.VALVE 3	
37	Z8 40385	2	REDUCER PG29M/PG21F	

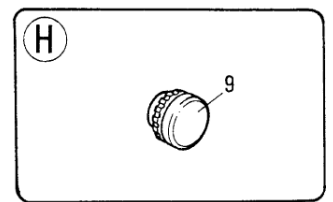
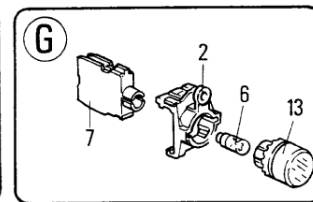
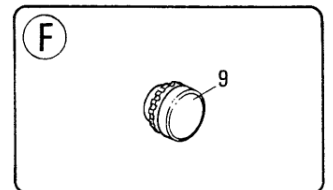
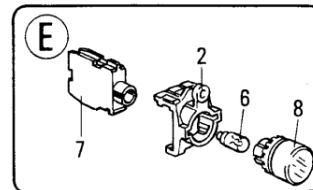
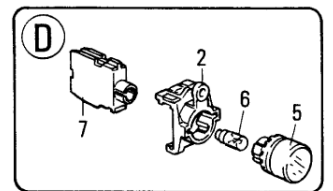
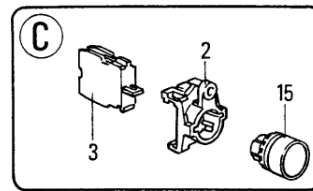
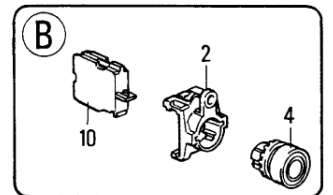
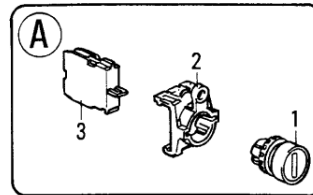
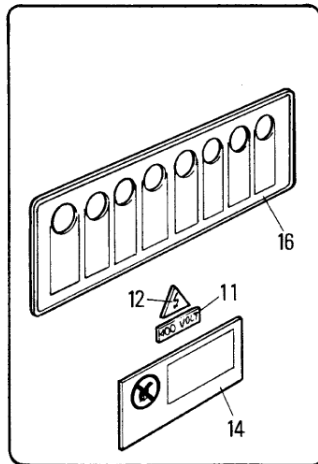
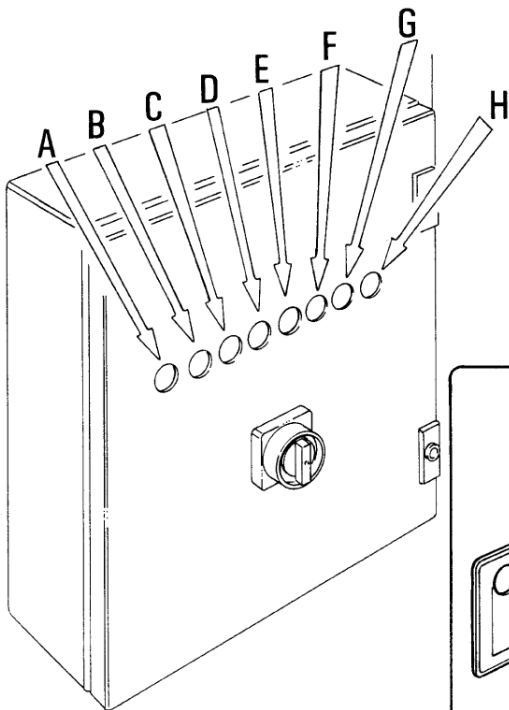
Control panel

3997

12-02-2015

Part List ID
399712

13



Control panel

3997

12-02-2015

Part List ID 399/12

14

Pos	Part no.	Qty	Description
0	Z8 41244	1	E.B. KW20 S/T SE TELEINV. AUT.
1	Z8 39107	1	PUSHBUTTON GREEN 3SB3
2	Z8 39298	6	CONTACTS SUPPORT
3	Z8 39108	2	CONTACT NO PUSH B. 3SB3
4	Z8 39109	1	PUSHBUTTON RED 3SB3
5	Z8 39111	1	PILOT LIGHT WHITE D22 3SB3
6	Z8 39114	4	LAMP BA9 V24
7	Z8 39113	4	LAMP HOLDER BA9 3SB3
8	Z8 39112	1	PILOT LIGHT RED D22 3SB3
9	Z8 39522	2	PLUG BLIND CONTROL PLATE D22
10	Z8 39110	1	CONTACT NC PUSH B. 3SB3
11	Z8 17089	1	LABEL 400V
12	Z8 17361	1	LABEL VOLTAGE ON
13	Z8 39334	1	PILOT LIGHT BLUE D22 3SB3
15	Z8 39312	1	PUSHBUTTON YELLOW 3SB3

Electric board

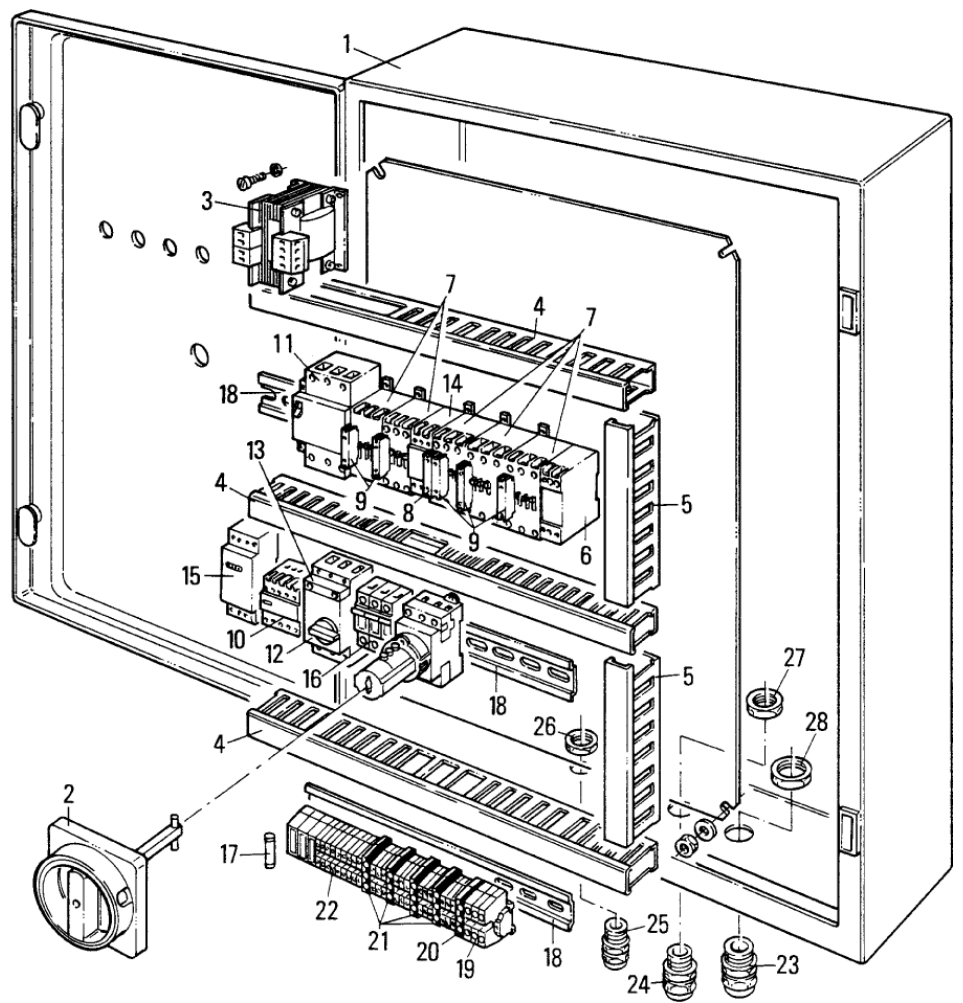
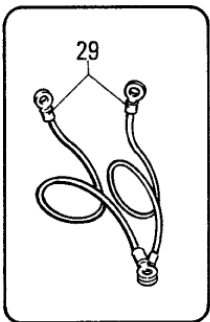
3997

12-02-2015

Part List ID

399714

15



Electric board

3997

12-02-2015

Part List ID
3997/14

16

Pos	Part no.	Qty	Description
0	Z8 41224	1	E.B. KW7.5 S/T SE
2	Z8 39558	1	MAIN SWITCH 63A IP65 S
3	Z8 39104	1	TRANSFORMER 63VA 400/24V
6	Z8 39119	1	TIMER S/T 0-60 SEC. 24-110-230V
7	Z8 39261	5	CONTACTOR KW18.5 24VAC SIRIUS S2
8	Z8 39366	1	CONTACT AUX CONTACTOR NO SIRIUS S2-S12
9	Z8 39367	5	CONTACT AUX CONTACTOR NC SIRIUS S2-S12
10	Z8 39281	1	CONTACTOR KW4 24VAC 1NO SIRIUS S00
11	Z8 39695	1	CIRCUIT BREAKER 36-45 A SIRIUS S2
12	Z8 39676	1	CIRCUIT BREAKER KLOCK. 1-1.6 A PKZM0
13	Z8 39684	1	CONTACTS AUX OVERL.CUTOUT KLOC
14	Z8 391120	1	RELAY PHASE SEQUENCE 180-600V
15	Z8 39693	1	HOURS COUNTER TO GUIDE 24VAC
16	Z8 39244	3	TERMINAL FUSEHOLDER 1.5mmq S 5X20
17	Z8 39539	3	FUSE 2A 5x20 GLASS RAPID
18	Z8 39133	1	GUIDE OMEGA TS 35x7.5
19	Z8 39264	3	TERMINAL LINE 16mmq S
21	Z8 39121	4	TERMINAL EARTH 6MMQ S
22	Z8 39120	22	TERMINAL LINE 6MMQ S
23	Z8 39263	1	CABLE GLANDPG29 OTT.
24	Z8 39205	2	CABLE GLAND PG21 PA
25	Z8 39055	2	CABLE GLAND PG16 PA
26	Z8 39568	2	METAL RING NUT PG16
27	Z8 39569	2	METAL RING NUT PG21
28	Z8 39570	1	METAL RING NUT PG29
29	Z8 39590	1	KIT EARTH CABLE 3707/3907

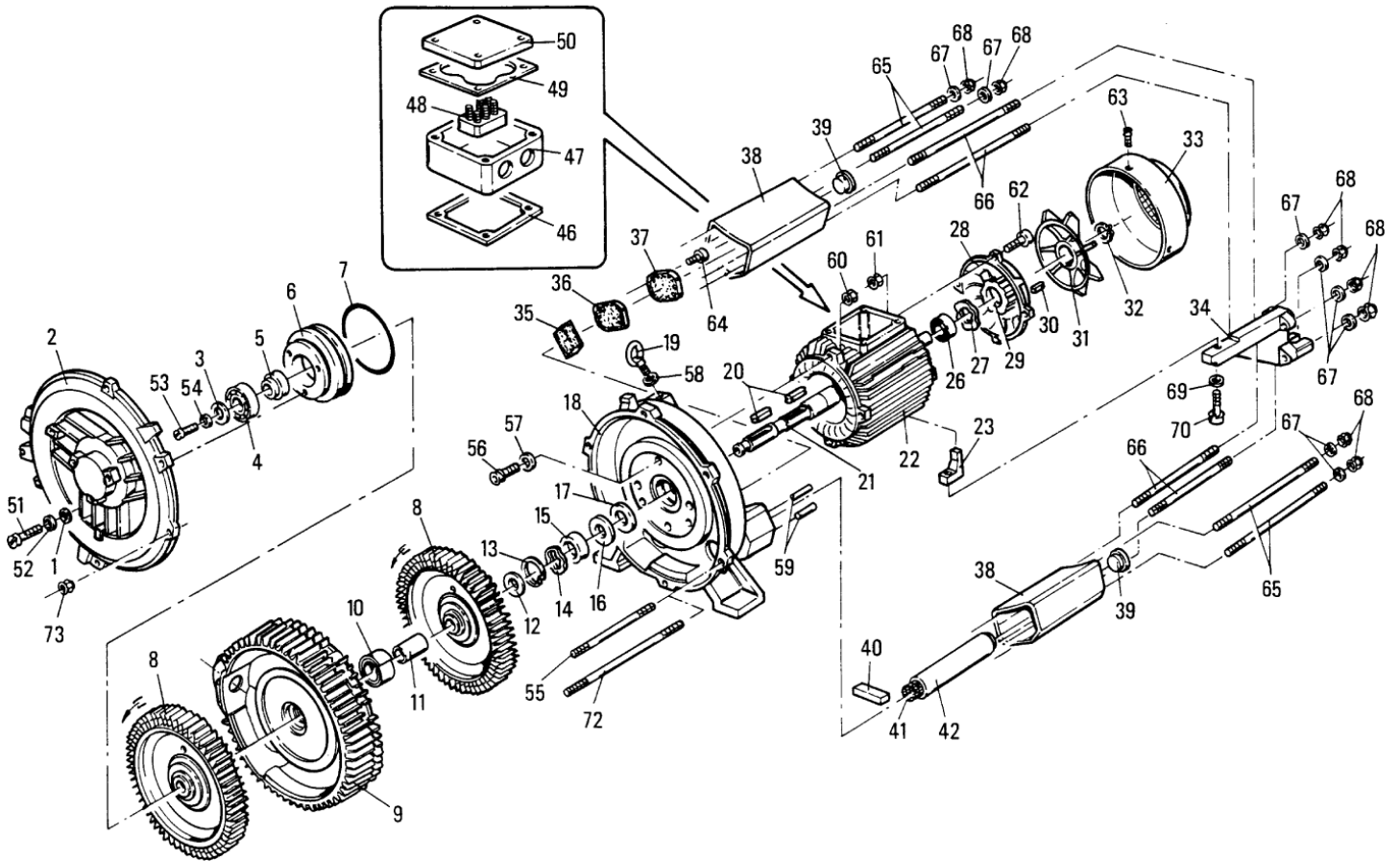
Intake unit

3997

12-02-2015

Part List ID
399716

17



Intake unit

3997

12-02-2015

Part List ID
3997/16

18

Pos	Part no.	Qty	Description
1	Z8 51541	3	RING MOD.55055-55055W
2	Z8 51015	1	BOTTOM CAP MOD.55300/W
3	Z8 51659	1	RONDELLA ARRESTO MOD.55300
4	Z8 51509	1	INFERIOR BEARING MOD55180
7	Z8 51543	1	RING FOR MOD55300
8	Z8 51048	2	IMPELLER MOD.55180/55300
11	Z8 51350	1	BUSHING SPACER MOD.55300
31	Z8 51334	1	COOLING FAN 55150/55180/55300
42	Z8 51364	1	SOUNDPROOF + MESH55180-55300