

SR 1000S B

Model:
SR 1000S B



Part List US-English

21-04-2015

Table of Contents

SR 1000S B

Chassis System	3
Bonnet System	5
Main Broom Assembly	7
Right-Left Hub Assemblies	9
Side Broom Assembly - before SN 062211241	11
Side Broom Assembly - from SN 062211241	13
Steering System - before SN 062211241	15
Steering System - from SN 062211241	18
Drive system - before SN 062211241	21
Drive system - from SN 062211241	23
Pedal Assemblies - before serial no. 051807363	25
Pedal Assemblies - after serial no. 051807363	27
Control Panel System	29
Transmission System	31
Reduction Motor Assembly	33
Dust Control System	35
Hopper System	37
Electrical Components	39
Decals	41
Accessories 1 - Battery charger	43
Accessories 2	45
Accessories 3	47
Accessories 4	49
Accessories 5	51
Recommended spare parts 1	53
Recommended spare parts 2	56
Electric Diagram	58

Chassis System

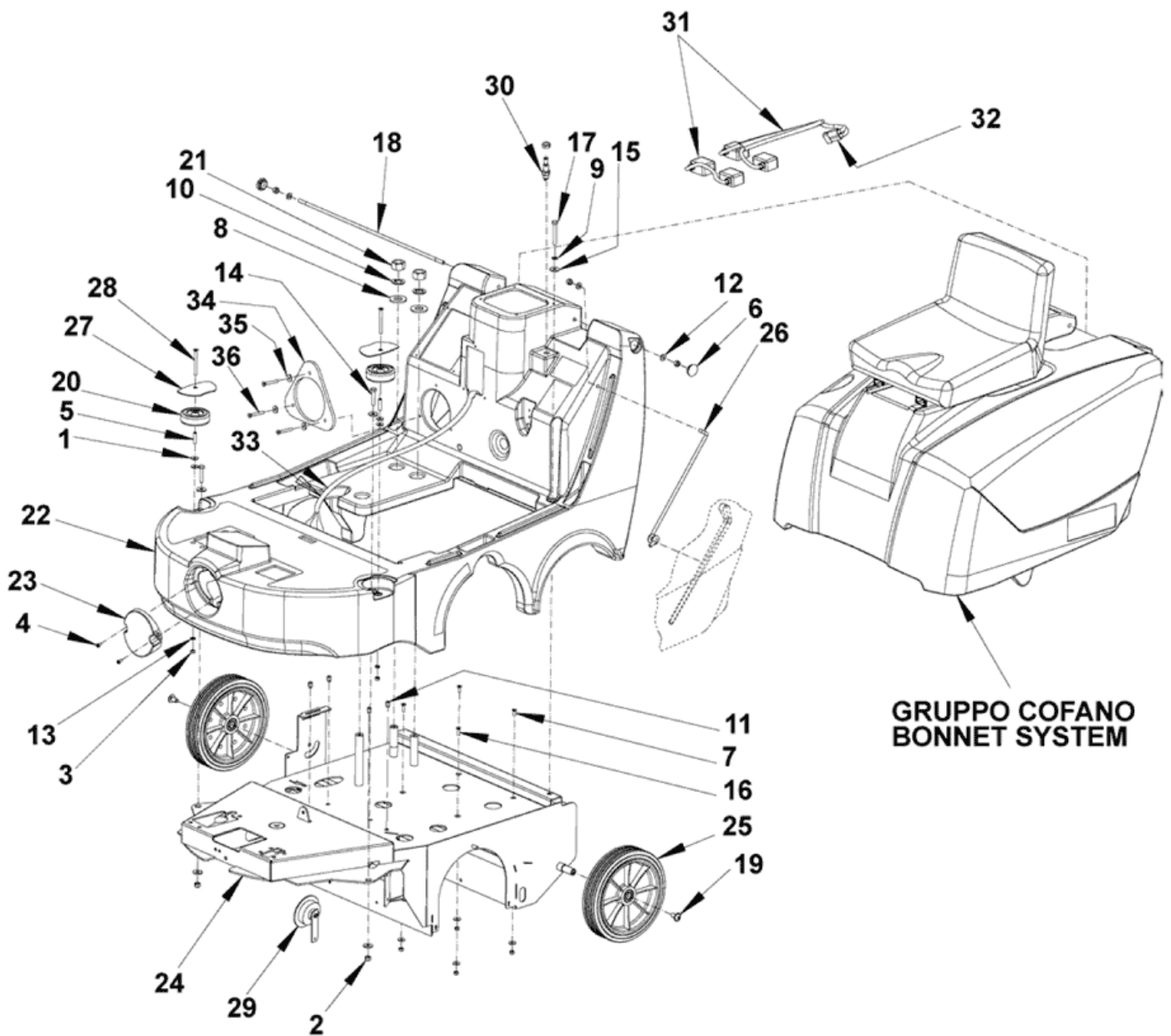
SR 1000S B

21-04-2015

Part List ID

F39103

3



Chassis System

SR 1000S B

21-04-2015

Part List ID

F-39103

4

Pos	Part no.	Qty	Description	
1		4	NOTE COMMENT	WASHER FLAT M6X18
2		5	NOTE COMMENT	NUT SELF LOCKING M8
3		6	NOTE COMMENT	NUT SELF LOCKING M6
4		2	NOTE COMMENT	SCREW M5X10
5		2	NOTE COMMENT	SPACER
6	L08812365	2	CAP. BLACK	
7		2	NOTE COMMENT	SCREW M6X16
8		2	NOTE COMMENT	WASHER FLAT M20X43
9		1	NOTE COMMENT	WASHER SPLIT M8
10		2	NOTE COMMENT	WASHER SPLIT M20
11		4	NOTE COMMENT	INSERT M6
12		3	NOTE COMMENT	WASHER FLAT M8X17
13		2	NOTE COMMENT	WASHER FLAT 6X12,5
14		2	NOTE COMMENT	SCREW M8X40
15		5	NOTE COMMENT	WASHER FLAT M8X24
16		2	NOTE COMMENT	SCREW M6X20
17		1	NOTE COMMENT	SCREW M8X60
18	146 0534 000	1	SHAFT. HANDLE	
19		2	NOTE COMMENT	SCREW M10X20
20		2	NOTE COMMENT	ROLLER BUMPER
21		2	NOTE COMMENT	HEXAGONAL NUT M20
22	146 1681 000	1	CHASSIS ROTOMOLDED	
23	1465168000	1	COVER LIGHT	
24	146 2965 000	1	FRAME	
25	146 1899 000	2	WHEEL	
26	146 1900 000	1	BAR SAFETY F BONNET	
27		2	NOTE COMMENT	PLATE
28		2	NOTE COMMENT	SCREW M6X70
29	145 8881 000	1	HORN 24V	
30	146 0565 000	1	SWITCH. HOOD SAFETY	
31	146 1904 000	1	HARNESS BATTERY SR1000S B	
31	9097590000	1	CABLE BATTERY INTERCONNECTION	
32	146 1986 000	1	CONNECTOR 120A	
33	146 2240 000	1	HARNESS MACHINE SR1000S B	
34	146 3127 000	1	GASKET	
35	33005916	3	WASHER M10 UNI6592	
36	33004578	3	SCREW M6X20 C/SUNK FLAT HD HEX ISO10642	
K1	1464391000	1	HARDWARE CHASSIS SYST KIT	NOT SHOWN (POS.2-3-4-7-8-9-10-11-12-13-14-15-16-17)
K2	1464392000	2	ROLLER BUMPER KIT	NOT SHOWN (POS.1-3-5-13-20-27-28)

Bonnet System

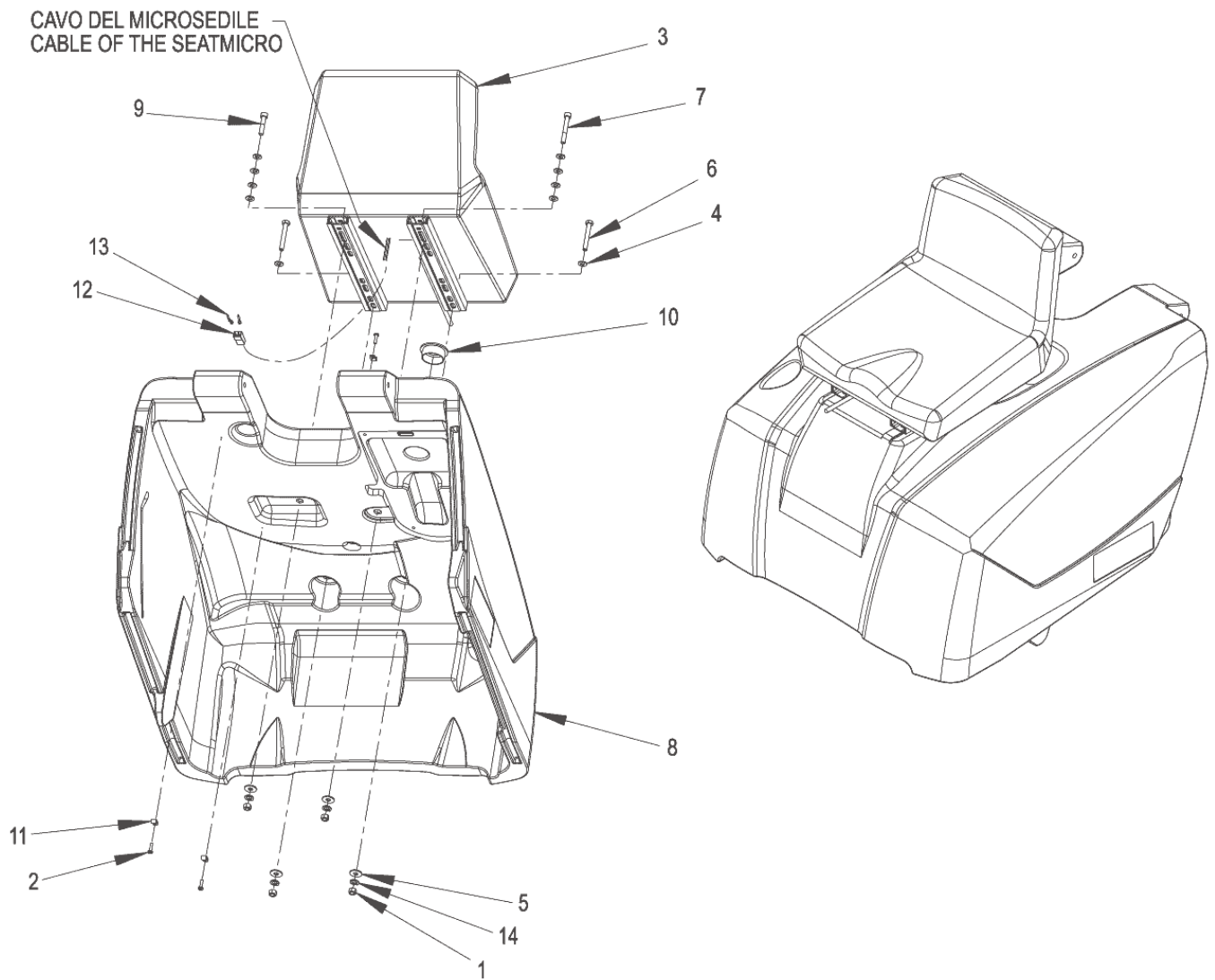
SR 1000S B

21-04-2015

Part List ID

F39105

5



Bonnet System

SR 1000S B

21-04-2015

Part List ID

F-39105

6

Pos	Part no.	Qty	Description	
1		4	NOTE COMMENT	NUT HEX. M8
2		3	NOTE COMMENT	SCREW 4.6X19.2
3	145 1782 000	1	SEAT W/MICROSWITCH	
4		10	NOTE COMMENT	WASHER FLAT M8X17
5		4	NOTE COMMENT	WASHER FLAT M8X24
6		2	NOTE COMMENT	SCREW M8X60
7		1	NOTE COMMENT	SCREW M8X60
8	146 1682 000	1	HOOD ROTOMOLDED. BATTERY	
9		1	NOTE COMMENT	SCREW M8X40
10	146 1970 000	1	CAP D.46	
11		3	NOTE COMMENT	CABLE CLAMP
12	145 3740 000	1	TERMINAL 1/2.5	
13	145 3733 000	1	CONNECTOR	
14		4	NOTE COMMENT	WASHER SPLIT M8
15	1464486000	1	SUPPORT SEAT KIT	NOT SHOWN
16	1464485000	1	PLATE OF STIFFENER KIT	NOT SHOWN
17	1463241000	1	HARNESSEAT MICRO KIT	NOT SHOWN - INST. ISTR. 1463243000 - TSB IT 2007-0
K1	1464393000	1	HARDWARE BONNET SYST KIT	NOT SHOWN (POS.1-2-4-5-6-7-9-11-14)

Main Broom Assembly

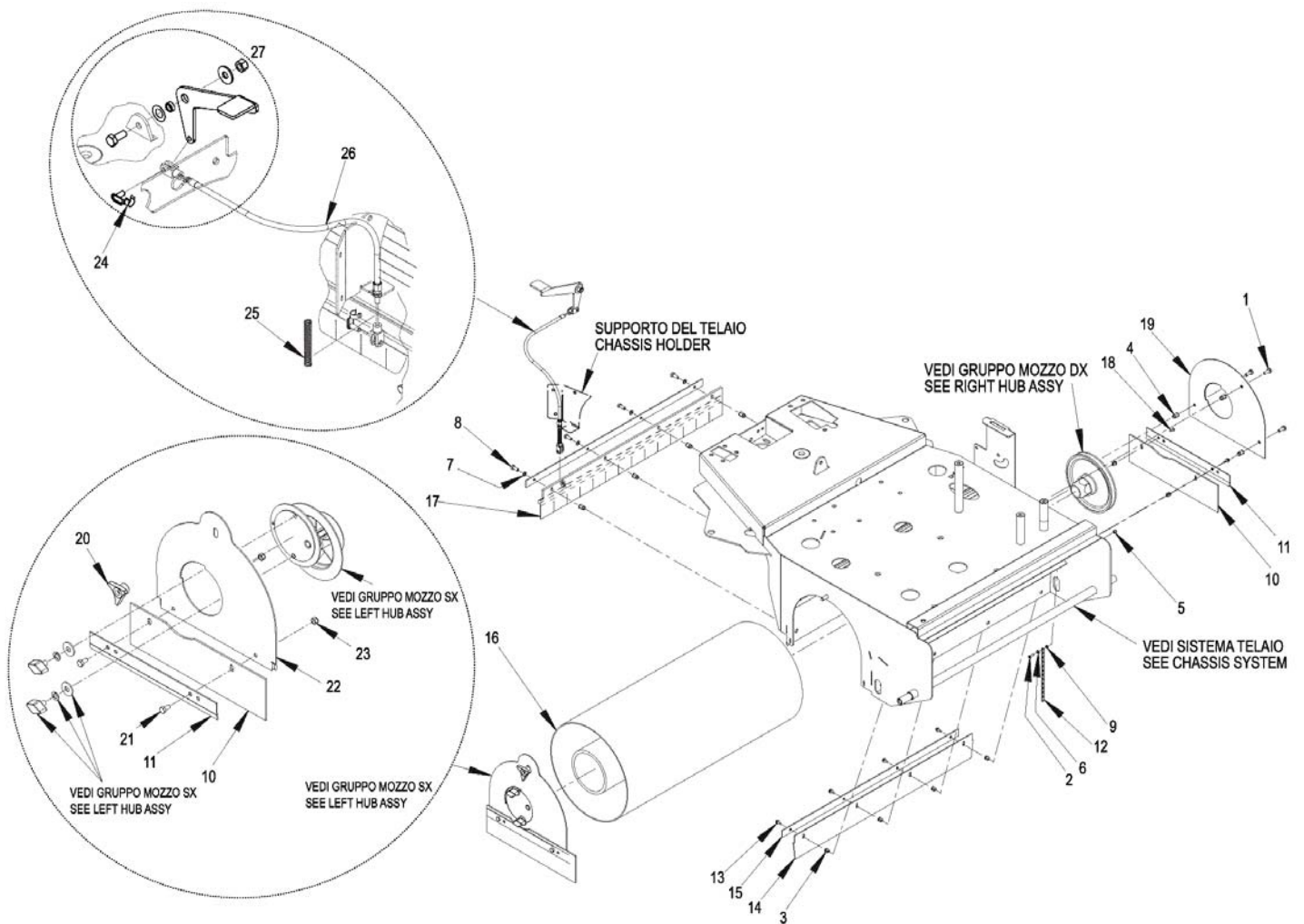
SR 1000S B

21-04-2015

Part List ID

F39107

7



Main Broom Assembly

SR 1000S B

21-04-2015

Part List ID

F-39107

8

Pos	Part no.	Qty	Description	
1		3	NOTE COMMENT	SCREW M6X16
2		1	NOTE COMMENT	SCREW 4X12
3		6	NOTE COMMENT	NUT SCREW
4		7	NOTE COMMENT	INSERT M6
5		1	NOTE COMMENT	NUT SELFLOCKING M8
6		1	NOTE COMMENT	WASHER FLAT 4X9
7		4	NOTE COMMENT	WASHER SPLIT 6
8		4	NOTE COMMENT	SCREW M6X16
9		1	NOTE COMMENT	TOOTHED WASHER 4
10	146 0555 000	2	SKIRT SIDE	
10	146 0587 000	2	SKIRT SIDE NON MARKING	
11	146 0557 000	2	PLATE SIDE SKIRT	
12	146 0611 000	1	CHAIN GROUND KIT	
13		5	NOTE COMMENT	SCREW 3,9X13
14	146 0738 000	1	SKIRT REAR	
14	146 0743 000	1	SKIRT REAR NON MARKING	
15	146 0739 000	2	PLATE.FRONT SKIRT	
16	146 0748 000	1	BROOM MAIN 265X600 CHEVRON 6R PPL 0.7	
16	146 0750 000	1	BROOM MAIN 265X600 CHEVRON 6R MIX STELL	
16	146 0753 000	1	BROOM MAIN 245X600 CHEVRON 6R NATURAL	
17	146 0756 000	1	SKIRT FRONT SOFT	
18		1	NOTE COMMENT	SCREW 3.9X13
19	146 2137 000	1	HATCH RT CLOSING MAIN BROOM SPACE GREY	
20	145 5035 000	1	KNOB M8	
21		2	NOTE COMMENT	SCREW HEX. M6X12
22	1466363000	1	HATCH LEFT MAIN BROOM PKD	
23		2	NOTE COMMENT	NUT HEX. SELFLOCK. M6
24	145 4536 000	2	CIRCLIP M6	
25	145 1935 000	1	SPRING	
26	145 1975 000	1	CABLE SKIRT RAIS.DEVICE	
27	146 2161 000	2	PEDAL SKIRT RAISING DEVICE KIT	
28	1464395000	1	HUB LEFT KIT	
29	1464396000	1	HUB RIGHT KIT	
K1	1464394000	1	HARDWARE MAIN BROOM KIT	NOT SHOWN (POS.1-2-3-4-5-6-7-8-9-13-18-21-23)

Right-Left Hub Assemblies

SR 1000S B

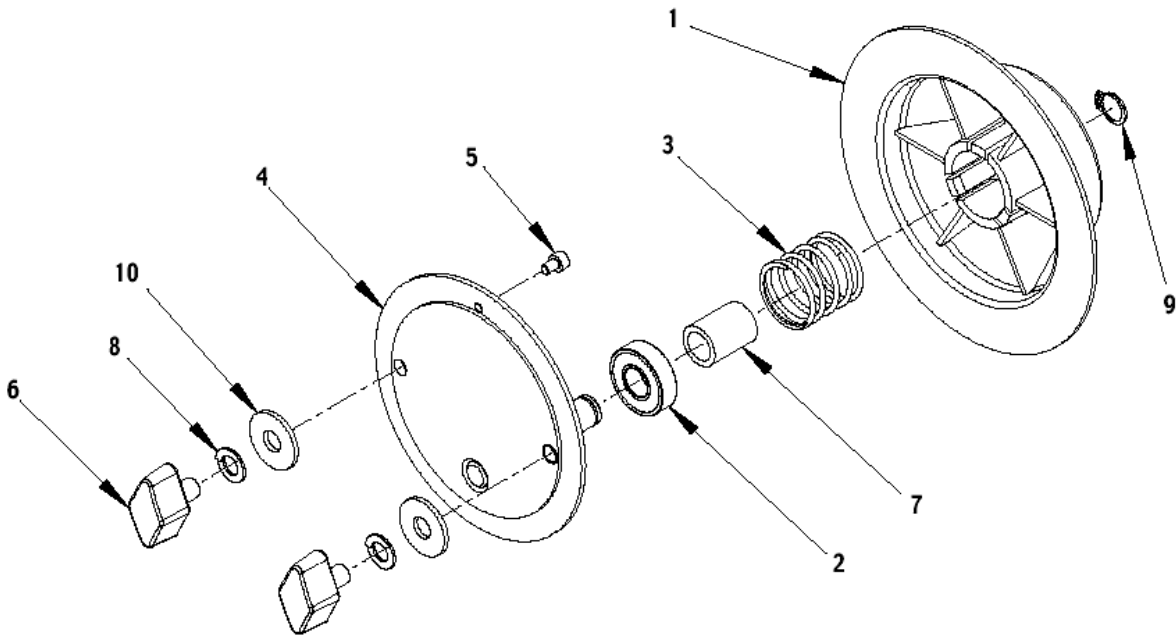
21-04-2015

Part List ID

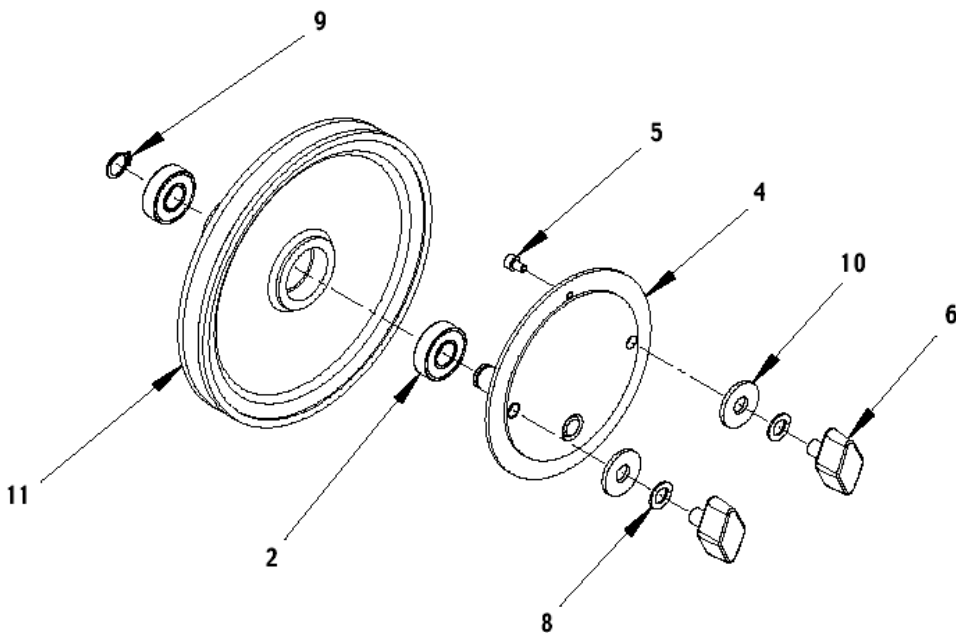
F39109

9

**KIT GRUPPO MOZZO SX
LEFT HUB ASSEMBLY KIT**



**KIT GRUPPO MOZZO DX
RIGHT HUB ASSEMBLY KIT**



Right-Left Hub Assemblies

SR 1000S B

21-04-2015

Part List ID

F-39109

10

Pos	Part no.	Qty	Description	
1		1	NOTE COMMENT	LEFT HUB
2		3	NOTE COMMENT	BALL BEARING
3		1	NOTE COMMENT	SPRING
4		2	NOTE COMMENT	PIN
5		2	NOTE COMMENT	SCREW HEX HD M4X6
6		4	NOTE COMMENT	KNOB
7		1	NOTE COMMENT	SPACER
8		4	NOTE COMMENT	WASHER
9		2	NOTE COMMENT	RETAINING RING
10		4	NOTE COMMENT	WASHER FLAT
11		1	NOTE COMMENT	PULLEY
K1	1464395000	1	HUB LEFT KIT	NOT SHOWN (POS.1-2-3-4-5-6-7-8-9-10)
K2	1464396000	1	HUB RIGHT KIT	NOT SHOWN (POS.2-4-5-6-8-9-10-11)

Side Broom Assembly - before SN 062211241

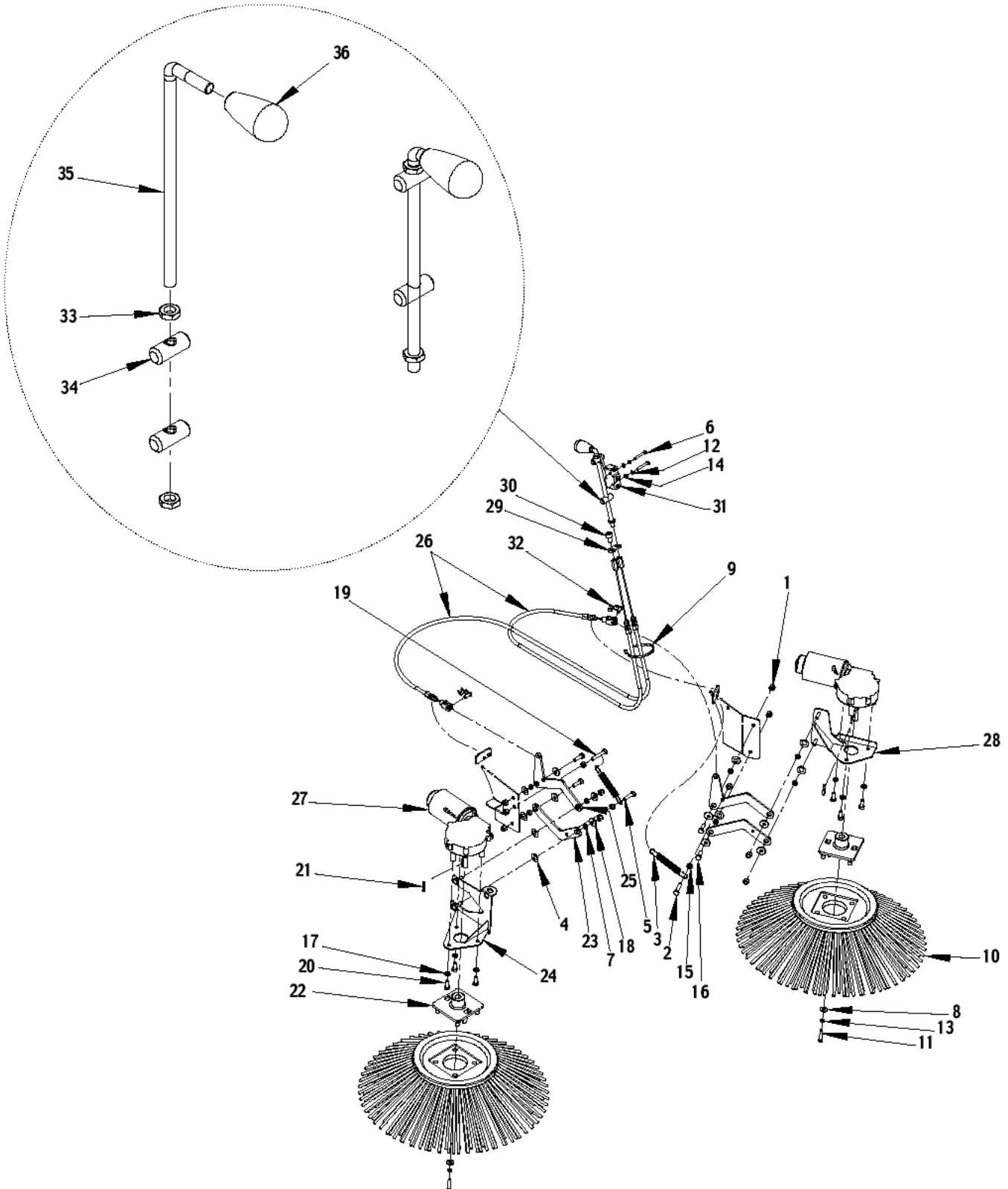
SR 1000S B

21-04-2015

Part List ID

F39111

11



Side Broom Assembly - before SN 062211241

SR 1000S B

21-04-2015

Part List ID F-39111

12

Pos	Part no.	Qty	Description	
1		10	NOTE COMMENT	NUT SELF LOCKING M6
2		1	NOTE COMMENT	SCREW M6X30
3	145 0274 000	2	SPRING	
4	145 1147 000	8	WASHER 10.2X18.8X0.35 10.2x18.8X0.35	
5		1	NOTE COMMENT	SCREW M6X25
6		2	NOTE COMMENT	SCREW M4X30
7		8	NOTE COMMENT	SPACER
8		2	NOTE COMMENT	WASHER FLAT 5X15
9		1	NOTE COMMENT	CLAMP 3.6X140
10	145 1899 000	2	BROOM SIDE 180X400 PPL 0.7	OPTIONAL
10	145 4959 000	2	BROOM SIDE 180X400 MIX STEEL	
10	145 4976 000	2	BROOM SIDE 180X400 NATURAL	OPTIONAL
10	146 0678 000	2	BROOM SIDE 180X350 NYLON	OPTIONAL
11		2	NOTE COMMENT	SCREW M5X25
12		2	NOTE COMMENT	WASHER SPLIT
13		2	NOTE COMMENT	WASHER SPLIT
14		2	NOTE COMMENT	WASHER FLAT M4X9
15		3	NOTE COMMENT	NUT M6
16		4	NOTE COMMENT	SCREW M6X20
17		6	NOTE COMMENT	WASHER SPLIT
18		8	NOTE COMMENT	WASHER FLAT M6X18
19		1	NOTE COMMENT	SCREW M6X35
20		6	NOTE COMMENT	SCREW M6X16
21		2	NOTE COMMENT	KEY
22	146 0519 000	2	HUB SIDE BROOM	
23	146 0558 000	2	ARM SIDE BROOM	
24	146 0559 000	1	BRACKET BROOM	USED BEFORE SN 062211241 - JUNE 2006
25	146 1894 000	2	ARM UPPER SIDER BROOM	
26	146 1895 000	2	CABLE.SIDE BROOM	USED BEFORE SN 062211241 - JUNE 2006
27	1464054000	1	CARBON BRUSHES W/HOLDER KIT	NOT SHOWN - FOR OLD RED.GEAR MOT.146 1897 000
27	1464152000	2	REDUCTION GEARMOTOR 60W 24V	
27	1464166000	1	CARBON BRUSHES W/HOLDER KIT	NOT SHOWN - FOR NEW RED.GEAR MOT.1464152000
28	146 2972 000	1	BRACKET. SIDE BROOM	
29	146 2107 000	1	PLATE	USED BEFORE SN 062211241 - JUNE 2006
30		1	NOTE COMMENT	SCREW M8X12
31	145 9679 000	1	MICROSWITCH 10A 250V	
32	145 4536 000	2	CIRCLIP M6	
33		2	NOTE COMMENT	NUT M8
34	L08601509	2	PIN SUPPORT	
35	146 1955 000	1	PIN	USED BEFORE SN 062211241
36	145 9319 000	1	KNOB M8	
K1	146 2226 000	1	HARDWARE SIDE BROOM KIT SR 1000S	NOT SHOWN (POS.1-2-5-6-7-8-9-11-12-13-14-15-16-17-

POSITIONS 24 146 0519 000 - 26 146 1895 000 - 29 146 2107 000 - 35 146 1955 000 USED ONLY ON MACHINES
PRODUCED BEFORE SN 062211241 - JUNE 2006

Side Broom Assembly - from SN 062211241

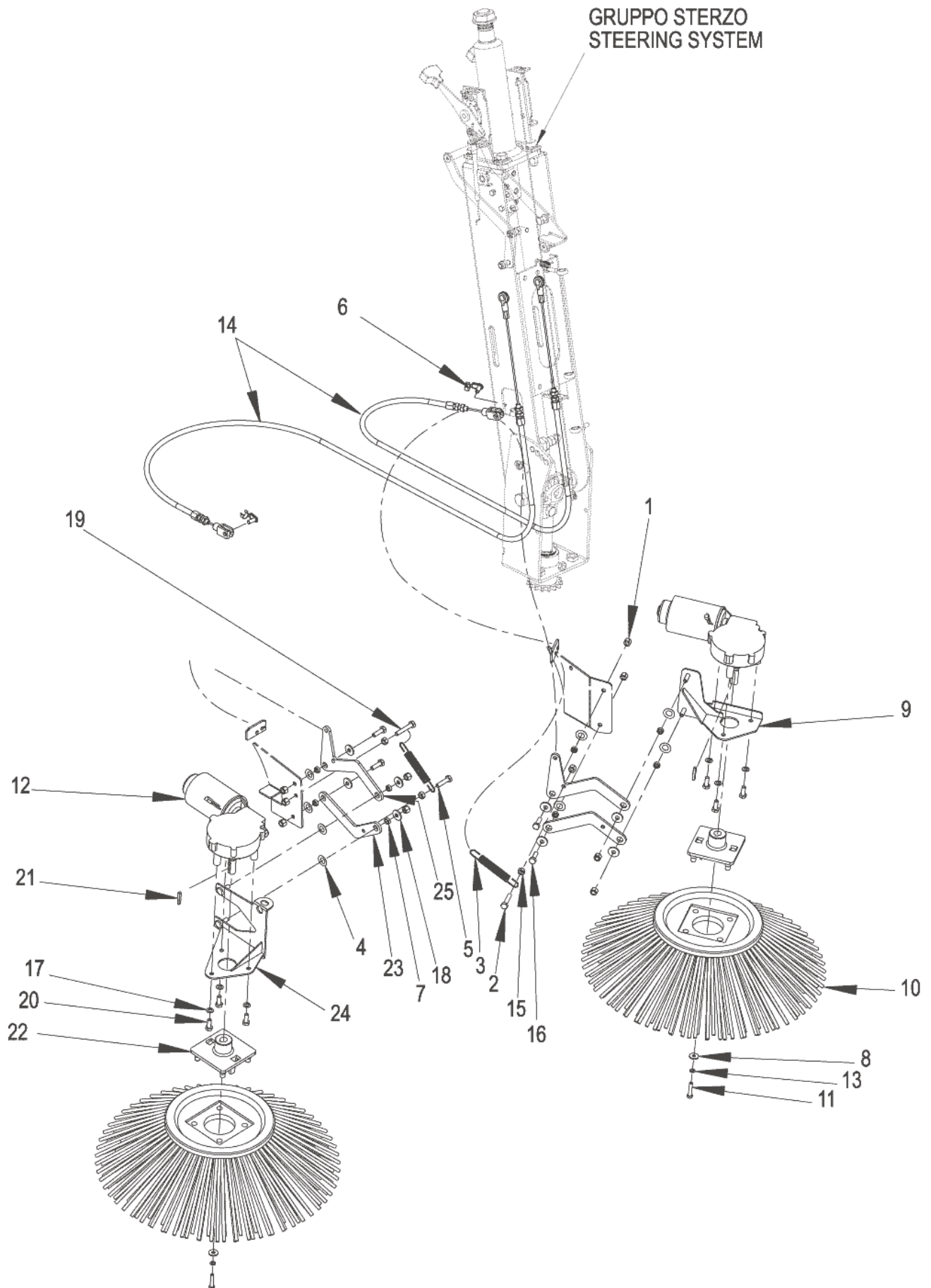
SR 1000S B

21-04-2015

Part List ID

F39113

13



Side Broom Assembly - from SN 062211241

SR 1000S B

21-04-2015

Part List ID

F-39113

14

Pos	Part no.	Qty	Description	
1		10	NOTE COMMENT	NUT SELF LOCKING M6
2		1	NOTE COMMENT	SCREW M6X30
3	145 0274 000	2	SPRING	
4	145 1147 000	8	WASHER 10.2X18.8X0.35	10.2x18.8X0.35
5		1	NOTE COMMENT	SCREW M6X25
6	145 4536 000	2	CIRCLIP M6	
7		8	NOTE COMMENT	SPACER
8		2	NOTE COMMENT	WASHER FLAT 5X15
9	146 2972 000	1	BRACKET. SIDE BROOM	
10	145 1899 000	2	BROOM SIDE 180X400 PPL 0.7	OPTIONAL
10	145 4959 000	2	BROOM SIDE 180X400 MIX STEEL	
10	145 4976 000	2	BROOM SIDE 180X400 NATURAL	OPTIONAL
10	146 0678 000	2	BROOM SIDE 180X350 NYLON	OPTIONAL
11		2	NOTE COMMENT	SCREW M5X25
12	1464054000	1	CARBON BRUSHES W/HOLDER KIT	NOT SHOWN - OLD RED.GEAR MOT.146 1897 000
12	1464152000	2	REDUCTION GEAR MOTOR 60W 24V	FROM SN.092816281
12	1464166000	1	CARBON BRUSHES W/HOLDER KIT	NOT SHOWN - FOR NEW RED.GEAR MOT.1464152000
13		2	NOTE COMMENT	WASHER SPLIT
14	146 2970 000	2	CABLE.SIDE BROOM	
15		3	NOTE COMMENT	NUT M6
16		4	NOTE COMMENT	SCREW M6X20
17		6	NOTE COMMENT	WASHER SPLIT
18		8	NOTE COMMENT	WASHER FLAT M6X18
19		1	NOTE COMMENT	SCREW M6X35
20		6	NOTE COMMENT	SCREW M6X16
21		2	NOTE COMMENT	KEY
22	146 0519 000	2	HUB SIDE BROOM	
23	146 0558 000	2	ARM SIDE BROOM	
24	146 2971 000	1	BRACKET. SIDE BROOM	
25	146 1894 000	2	ARM UPPER SIDER BROOM	
K1	1464397000	1	HARDWARE SIDE BROOMS KIT	NOT SHOWN (POS.1,2,5,7,8,11,13,15,16,17,18,19,20,2

Steering System - before SN 062211241

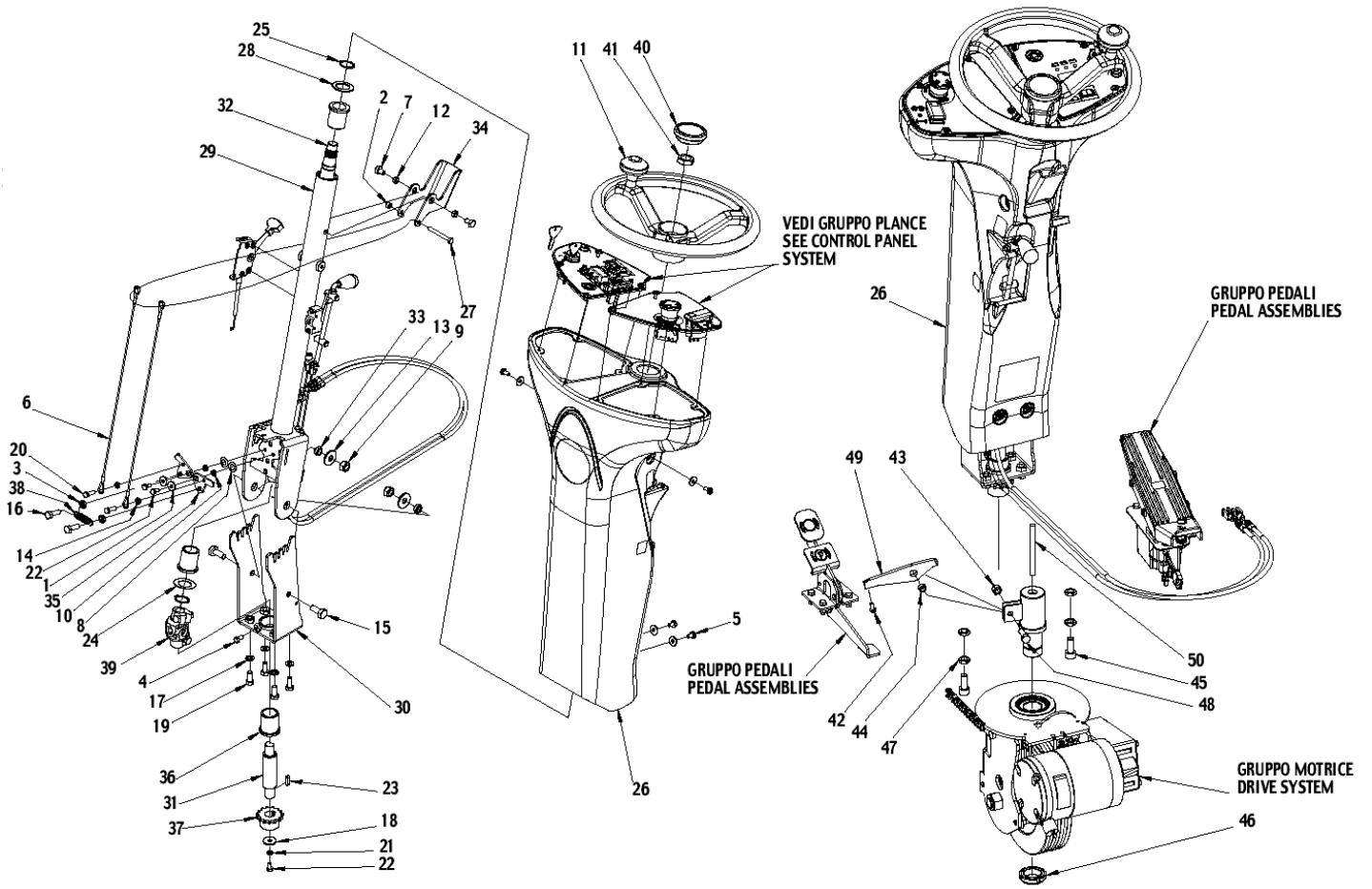
SR 1000S B

21-04-2015

Part List ID

F39115

15



Steering System - before SN 062211241

SR 1000S B

21-04-2015

Part List ID F-39115

16

Pos	Part no.	Qty	Description	
1		6	NOTE COMMENT	WASHER M6X18
2		1	NOTE COMMENT	NUT SELF LOCKING M6
3		2	NOTE COMMENT	NUT M8
4		1	NOTE COMMENT	SCREW M6X16
5		4	NOTE COMMENT	SCREW M6X12
6	L08812362	2	CABLE	
7		2	NOTE COMMENT	SCREW M8X12
8		2	NOTE COMMENT	SPRING
9		2	NOTE COMMENT	NUT SELFLOCKING M10
10		2	NOTE COMMENT	SPACER
11	146 2106 000	1	WHEEL. STEERING D.320	
12		2	NOTE COMMENT	SPACER
13		2	NOTE COMMENT	WASHER M10X30
14		2	NOTE COMMENT	NUT M6
15		2	NOTE COMMENT	SCREW M10X25
16		2	NOTE COMMENT	SCREW M8X25
17	146 1886 000	1	PIN	USED BEFORE SN 062211241
18		1	NOTE COMMENT	WASHER M6X24
19		4	NOTE COMMENT	SCREW M8X16
20		2	NOTE COMMENT	SCREW M6X20
21		1	NOTE COMMENT	WASHER
22		3	NOTE COMMENT	SCREW M6X12
23		1	NOTE COMMENT	KEY
24	145 9875 000	1	BELLEVILLE WASHER 25.5X41.6X0.7 DIN2093	
25		2	NOTE COMMENT	RETAINING RING
26	146 1686 000	1	COVER ROTOMOLDED FRONT	USED ONLY ON MACHINES BEFORE SN 062211241
27		1	NOTE COMMENT	SCREW M6X55
28		1	NOTE COMMENT	SPACER
29	146 1906 000	1	steering column	
30	146 1907 000	1	SUPPORT. STEERING COLUMN	
31	146 1908 000	1	SHAFT.PINION STEERING	
32	146 1909 000	1	SHAFT.STEERING	
33		2	NOTE COMMENT	SPACER
34	146 1911 000	1	LEVER	
35	146 1912 000	2	LEVER	
36	146 1913 000	3	BUSH FLANGED	
37	145 2601 000	1	pinion z15 3/8	
38		1	NOTE COMMENT	SPRING
40	145 8753 000	1	CAP	
41		1	NOTE COMMENT	NUT M8X1,5
42		1	NOTE COMMENT	SCREW M5X12 SS
43		1	NOTE COMMENT	NUT M8
44		1	NOTE COMMENT	SPACER

POSITIONS 17 146 1886 000 - 26 146 1686 000 USED ONLY ON MACHINES BEFORE SN 062211241

Steering System - before SN 062211241

SR 1000S B

21-04-2015

Part List ID F-39115

17

Pos	Part no.	Qty	Description	
45		2	NOTE COMMENT	SCREW M10X25
46		1	NOTE COMMENT	NUT RING SELFLOCKING
47		4	NOTE COMMENT	NUT M10
48		1	NOTE COMMENT	SCREW M8X25
49	146 1885 000	1	LEVER	USED ONLY ON MACHINES BEFORE SN 062211241
K1	146 2227 000	1	HARDWARE STEERING KIT SR 1000S	NOT SHOWN

Steering System - from SN 062211241

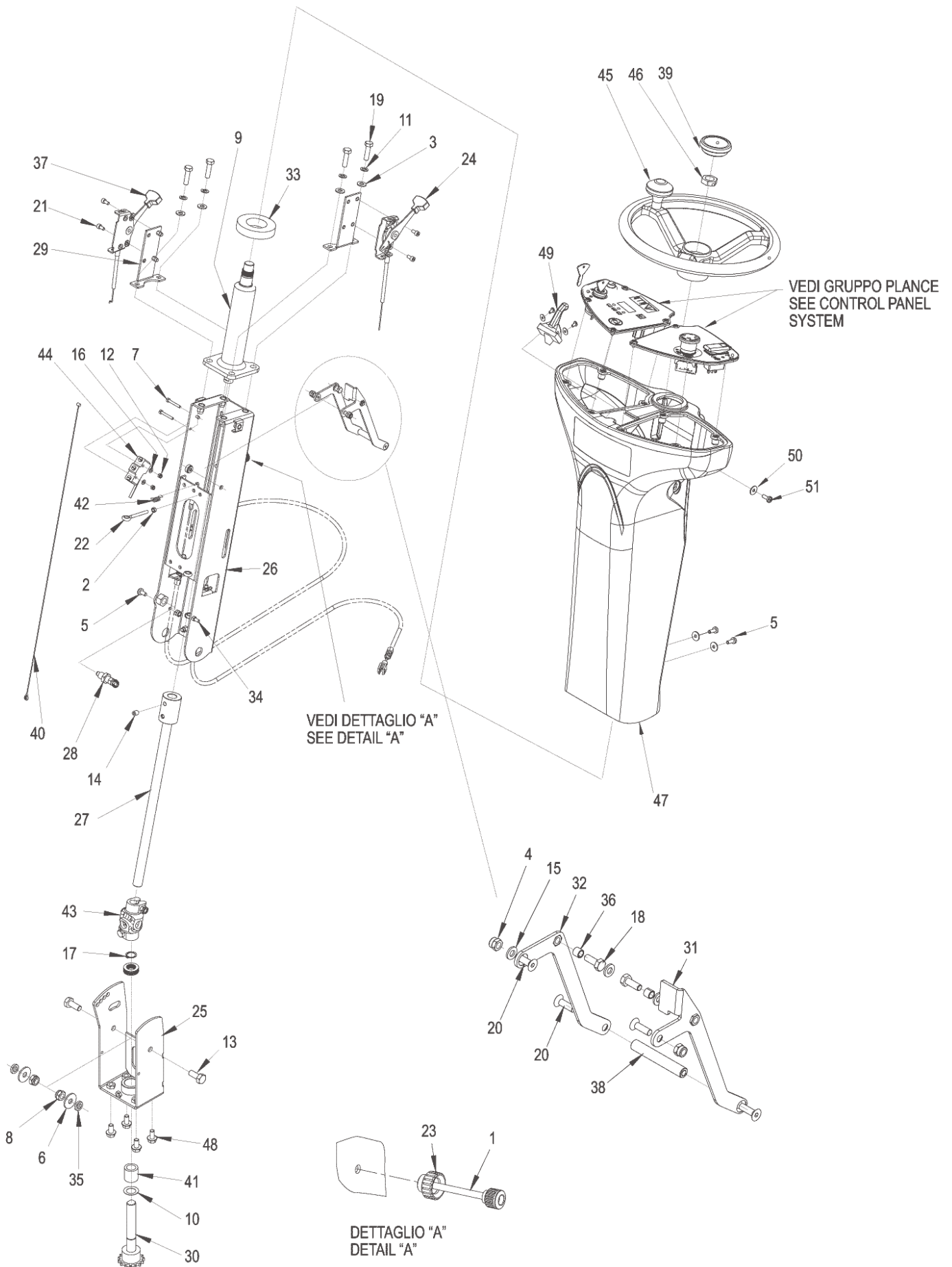
SR 1000S B

21-04-2015

Part List ID

F39117

18



Steering System - from SN 062211241

SR 1000S B

21-04-2015

Part List ID

F-39117

19

Pos	Part no.	Qty	Description
1	145 1354 000	1	KNOB M 6x 65
2		4	NOTE COMMENT NUT HEX M5
3		4	NOTE COMMENT WASHER FLAT 8X17
4		3	NOTE COMMENT NUT HEX SELFLOCK. M6
5		5	NOTE COMMENT SCREW M6X12
6		2	NOTE COMMENT WASHER FLAT 10X30
7		2	NOTE COMMENT SCREW HEX HD M4X30
8		2	NOTE COMMENT NUT
9	145 1946 000	1	COLUMN STEERING
10		7	NOTE COMMENT SPRING
11		4	NOTE COMMENT WASHER SPLIT 8
12		2	NOTE COMMENT NUT
13		2	NOTE COMMENT SCREW
14		1	NOTE COMMENT SCR, SOC SET
15		3	NOTE COMMENT WASHER FLAT 6X12,5
16		2	NOTE COMMENT WASHER FLAT 4X9
17	33006056	1	RING D 17 UNI7435
18		2	NOTE COMMENT SCREW HEX. HD M6X16
19		4	NOTE COMMENT SCREW HEX HD M8X25
20		4	NOTE COMMENT SCREW M6X20
21		4	NOTE COMMENT SCREW M5X10
22	146 2450 000	1	TIE-ROD EYE D.8 M5X52MM
23	146 2471 000	1	KNOB KNURLED M6 FEMALE
24	146 2939 000	1	LEVER EMERGENCY BRAKE
25	146 2945 000	1	SUPPORT STEERING COLUMN
26	146 2947 000	1	STEERING COLUMN
27	146 2948 000	1	SHAFT STEERING KIT
28	1466327000	1	PLUNGER M12 W/CABLE KIT INCLUDES CABLE AND PLUNGER POS. 40
29	146 2951 000	2	SUPPORT VACUUM CABLE
30	146 2953 000	1	SHAFT STEERING W/ PINION
31	146 2954 000	1	LEVER.LEFT SIDE BROOM
32	146 2955 000	1	LEVER.LEFT SIDE BROOM
33	146 2956 000	1	GASKET
34	146 2957 000	2	TIE-ROD EYE D.8 M5X25MM
35		2	NOTE COMMENT SPACER
36	146 2959 000	2	BUSHING PAP 6X 8X 7
37	146 2960 000	1	CABLE.VACUUM CONTROL
38	146 2961 000	1	HANDLE. SIDE BRUSHES
39	145 8753 000	1	CAP
41	145 9505 000	1	BUSHING BBB 17x25x25
42	145 9290 000	1	SPRING
44	145 9679 000	1	MICROSWITCH 10A 250V
45	146 2106 000	1	WHEEL. STEERING D.320

POSITION 40 NO MORE AVAILABLE

Steering System - from SN 062211241

SR 1000S B

21-04-2015

Part List ID

F-39117

20

Pos	Part no.	Qty	Description
46		1	NOTE COMMENT NUT HEX LOW M18X1.5
47	146 2906 000	1	COVER ROTOMOLDED FRONT
48	146 2316 000	4	SCREW M8X16 HEX HD F/THD FLANG ISO1665
49	146 2458 000	1	LEVER
50		4	NOTE COMMENT WASHER FLAT 6X18
51		4	NOTE COMMENT SCR, PAN PHIL M6X16
K1	1464398000	1	HARDWARE STEERING KIT NOT SHOWN (POS.1-2-3-4-5-6-7-8-10-11-12-13-14-15-1

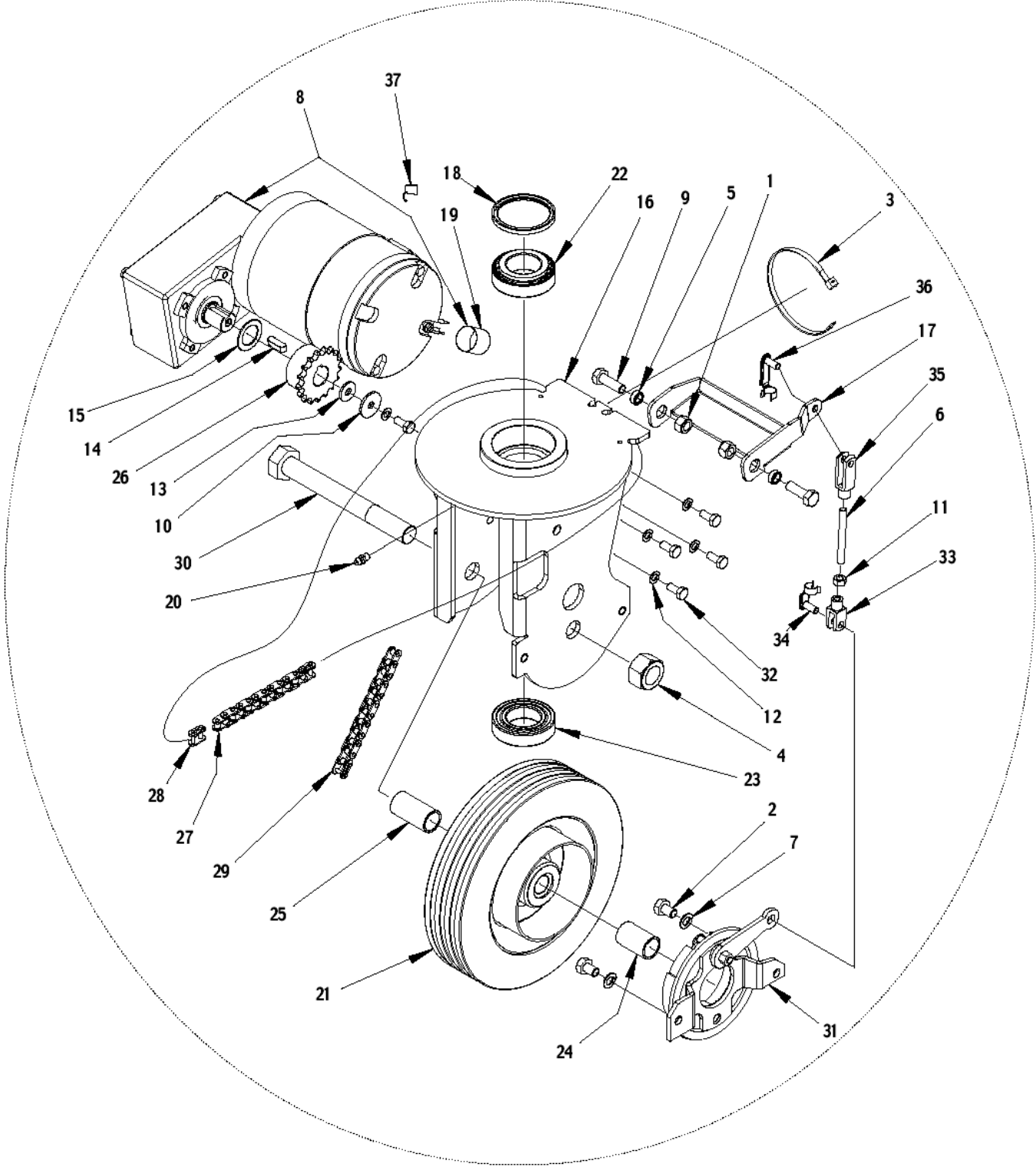
Drive system - before SN 062211241

SR 1000S B

21-04-2015

Part List ID
F39119

21



Drive system - before SN 062211241

SR 1000S B

21-04-2015

Part List ID

F-39119

22

Pos	Part no.	Qty	Description	
1		2	NOTE COMMENT	NUT SELFLOCKING M8
2		2	NOTE COMMENT	SCREW M8X12
3	909 5896 000	1	CLAMP HOSE D.12	
4		1	NOTE COMMENT	NUT SELFLOCKING M18
5		2	NOTE COMMENT	SPACER
6	145 2529 000	1	ROD THREADED M6X55MM	
7		2	NOTE COMMENT	WASHERSPLIT M8
8	146 2166 000	1	REDUCTION GEARMOTOR CPL CON/SHEATH	
9		2	NOTE COMMENT	SCREW M8X25
10		1	NOTE COMMENT	WASHER FLAT M6X24
11		1	NOTE COMMENT	NUT M6
12		5	NOTE COMMENT	WASHER SPLIT 6
13		1	NOTE COMMENT	WASHER FLAT 6X18
14		1	NOTE COMMENT	KEY 6X6X20
15		1	NOTE COMMENT	SPACER
16	146 1926 000	1	SUPPORT FRONT WHEEL	
17	146 1927 000	1	BRACKET	
18	146 1928 000	1	GASKET	
19	146 1929 000	1	SHEATH	
20		1	NOTE COMMENT	GREASER NIPPLE M6
21	1463184000	1	WHEEL FRONT	TSB IT 2007-025
22	145 4691 000	1	BEARING TAPER ROLLER 32006	
23	145 0225 000	1	BEARING BALL 6006 2RS1	
24	145 2574 000	1	SPACER 17X33	
25	145 2575 000	1	SPACER 17X41	
26	145 0221 000	1	PINION Z17 3/8 7/32	
27	145 2713 000	1	CHAIN ROLLER 3/8 - 59 PITCHES	
28	145 9604 000	1	LINK 3/8	
29	145 0222 000	1	CHAIN ROLLER 3/8 - 35 PITCHES	
30	145 2576 000	1	PIN	
31	145 8066 000	1	BRAKE FRONT WHEEL	
32		6	NOTE COMMENT	SCREW M6X14
33	145 4535 000	1	FORK M6	
34	145 4536 000	1	CIRCLIP M6	
35	145 9409 000	1	FORK M6	
36	145 9410 000	1	CIRCLIP M6	
37	1464432000	1	CARBON BRUSHES KIT 4 PCS	
38		1	NOTE COMMENT	NUT HEX. SELFLOCK LOW M6
K1	146 2229 000	1	HARDWARE DRIVE KIT SR 1000S	NOT SHOWN (POS.1-2-4-5-7-9-10-11-12-13-14-15-20-32)

Drive system - from SN 062211241

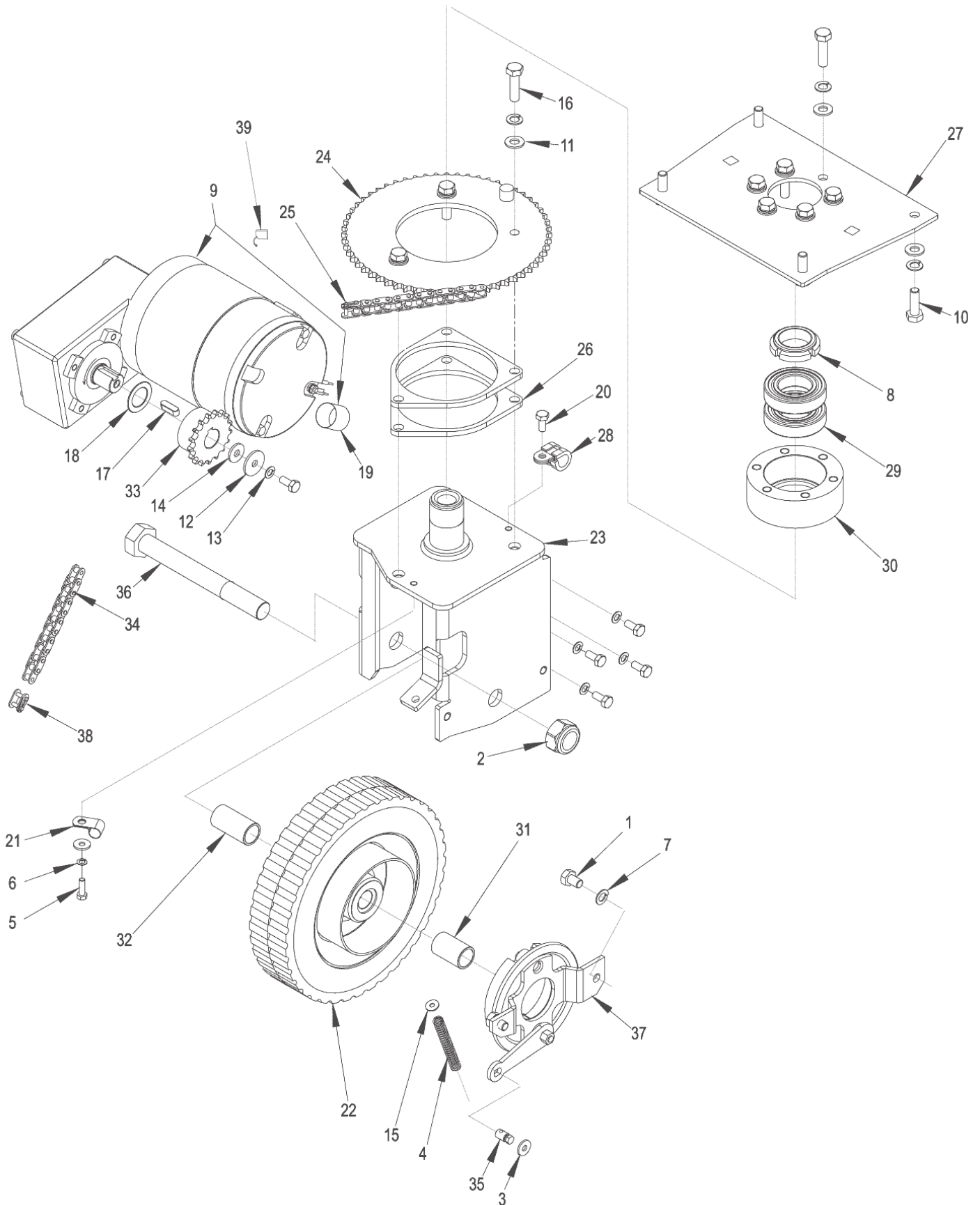
SR 1000S B

21-04-2015

Part List ID

F39121

23



Drive system - from SN 062211241

SR 1000S B

21-04-2015

Part List ID

F-39121

24

Pos	Part no.	Qty	Description	
1		2	NOTE COMMENT	SCREW M8X12
2		1	NOTE COMMENT	NUT SELFLOCKING M18
3		2	NOTE COMMENT	WASHER
4	145 1935 000	1	SPRING	
5		1	NOTE COMMENT	SCREW HEX HD M5X16
6		1	NOTE COMMENT	WASHER
7		15	NOTE COMMENT	WASHER SPLIT 8
8		1	NOTE COMMENT	NUT RING SELFLOCKING
9	146 2166 000	1	REDUCTION GEARMOTOR CPL CON/SHEATH	
10		4	NOTE COMMENT	SCREW HEX HD M8X25
11		13	NOTE COMMENT	WASHER FLAT 8X17
12		1	NOTE COMMENT	WASHER FLAT 6X24
13		5	NOTE COMMENT	WASHER SPLIT 6
14		1	NOTE COMMENT	WASHER FLAT 6X18
15		1	NOTE COMMENT	WASHER FLAT 4X12
16		9	NOTE COMMENT	SCREW HEX HD M8X30
17		1	NOTE COMMENT	KEY
18		1	NOTE COMMENT	SPACER
19	146 1929 000	1	SHEATH	
20		6	NOTE COMMENT	SCREW HEX HD 6X14
21	146 2417 000	1	CLAMP D. 10	
22	1463184000	1	WHEEL FRONT	TSB IT 2007-025
23	1464456000	1	SUPPORT FRONT WHEEL	
24	146 2935 000	1	CROWN STEERING	
25	145 1784 000	1	CHAIN ROLLER 3/8 - 68 PITCHES	
26	146 2937 000	2	SPACER STEERING CROWN	
27	146 2938 000	1	PLATE SUP.. FRONT WHEEL	
28	909 5896 000	1	CLAMP HOSE D.12	
29	145 0225 000	2	BEARING BALL 6006 2RS1	
30	145 2568 000	1	FLANGE	
31	145 2574 000	1	SPACER 17X33	
32	145 2575 000	1	SPACER 17X41	
33	145 0221 000	1	PINION Z17 3/8 7/32	
34	145 0222 000	1	CHAIN ROLLER 3/8 - 35 PITCHES	
35	145 9366 000	1	CLAMP CABLE D.8	
36	145 2576 000	1	PIN	
37	145 8066 000	1	BRAKE FRONT WHEEL	
38	145 9604 000	1	LINK 3/8	
39	1464432000	1	CARBON BRUSHES KIT 4 PCS	
K1	1464399000	1	HARDWARE DRIVE KIT	NOT SHOWN (POS.1,2,3,5,6,7,8,10,11,12,13,14,15,16,

Pedal Assemblies - before serial no. 05180736

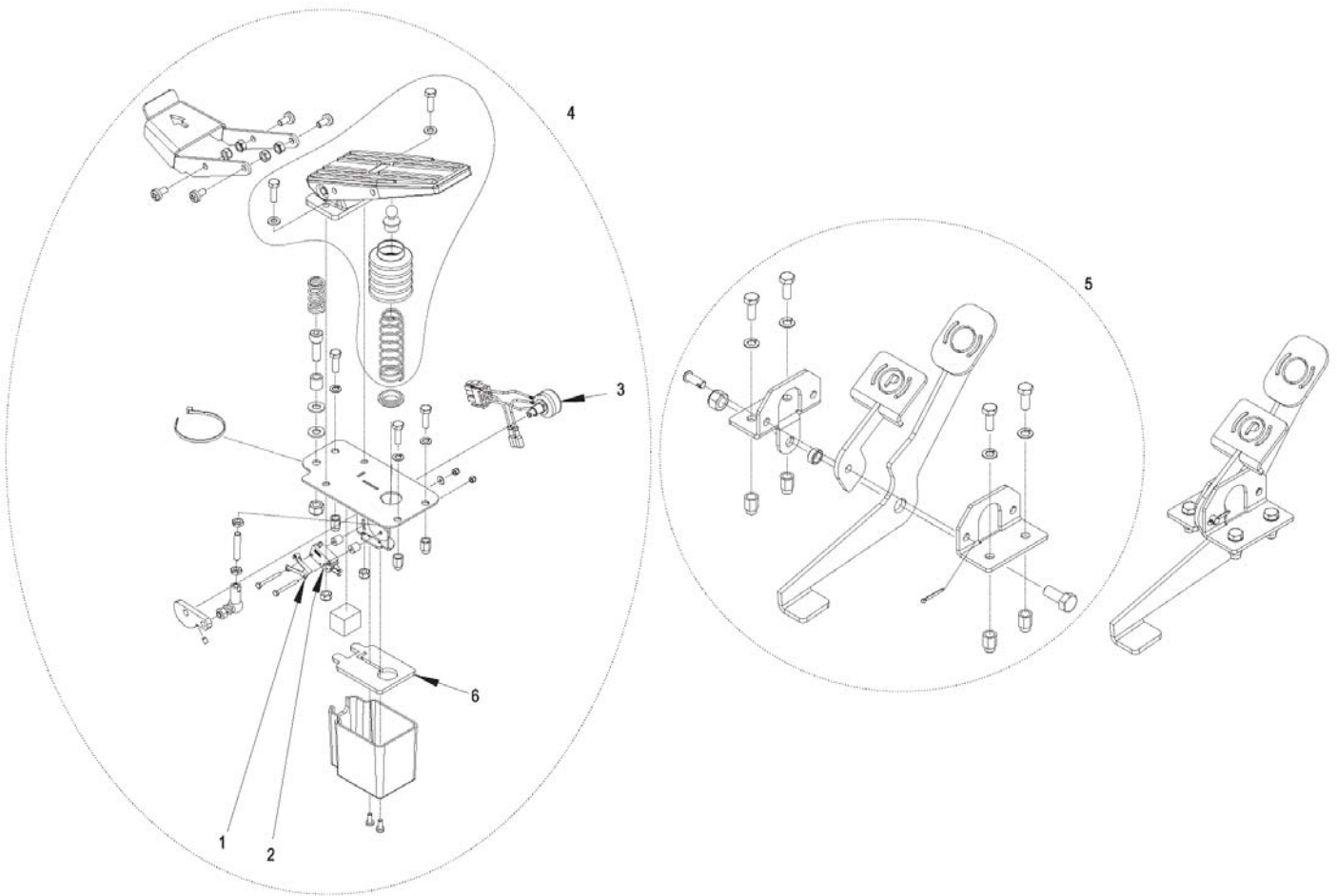
SR 1000S B

21-04-2015

Part List ID

F39123

25



Pedal Assemblies - before serial no. 05180736

SR 1000S B

21-04-2015

Part List ID

F-39123

26

Pos	Part no.	Qty	Description
3	146 2480 000	1	HARNESS DRIVE PEDAL
6	146 2315 000	1	GASKET. PEDAL
1A	L08812377	1	CONTACT FOR MICROSWITCH
2A	L08812580	1	MICROSWITCH 16A 250V
4A	146 2134 000	1	PEDAL SPEED CONTROL KIT W/ MICRO SWITCH
5B	146 2122 000	1	PEDAL BRAKE KIT

A: before S/N 051807363

B: before S/N 062211241

POSITIONS 1A L08812377 -2A - L08812580 - 4A 146 2134 000 VALID ONLY FOR MACHINES BEFORE SERIAL NUMBER

Pedal Assemblies - after serial no. 05180736

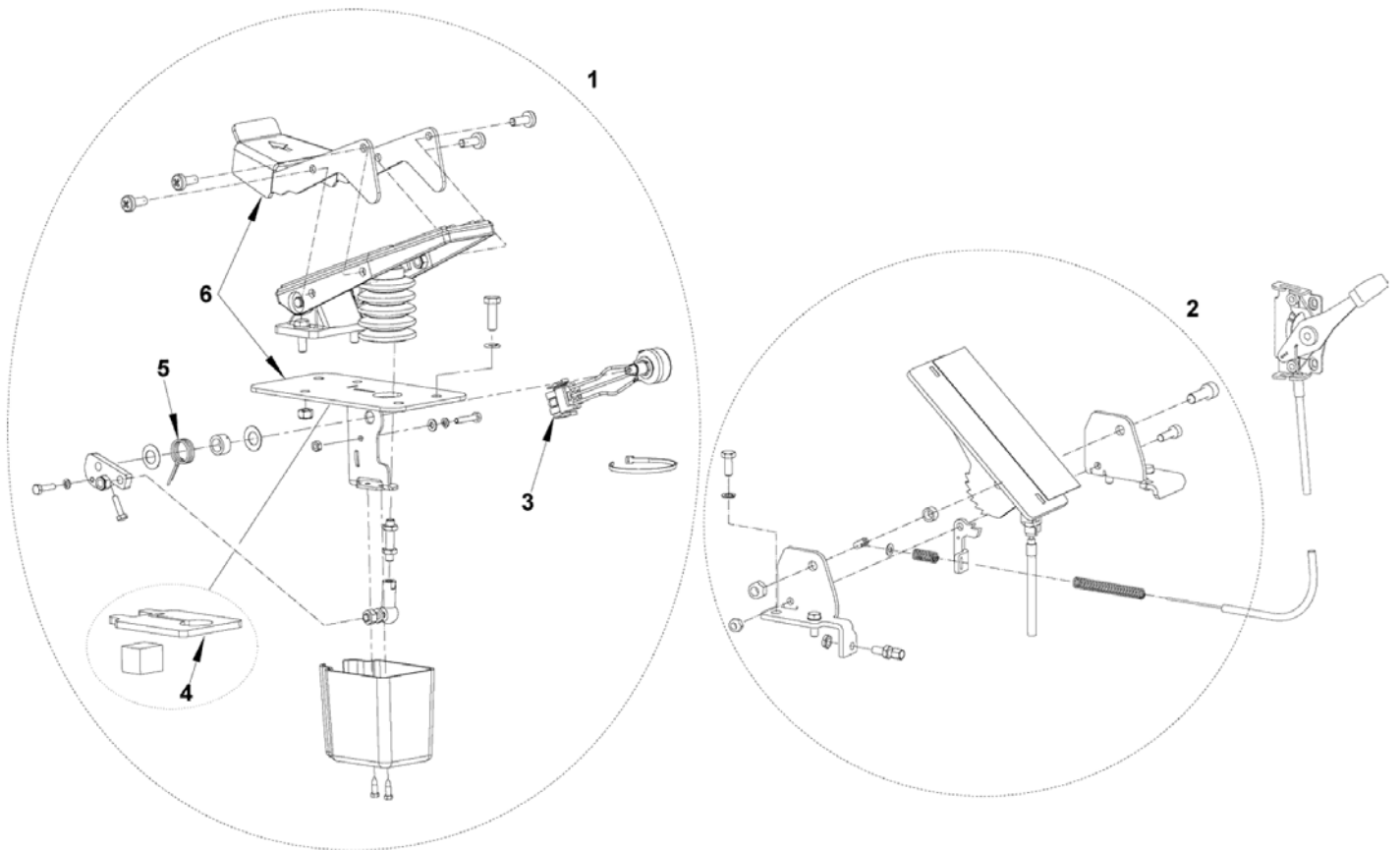
SR 1000S B

21-04-2015

Part List ID

F39125

27



Pedal Assemblies - after serial no. 05180736

SR 1000S B

21-04-2015

Part List ID

F-39125

28

Pos	Part no.	Qty	Description
3	146 2480 000	1	HARNESS DRIVE PEDAL
4	146 2315 000	1	GASKET. PEDAL
5	146 2883 000	1	PEDAL SPRING
6	146 2932 000	1	SUPPORT AND BRACKET KIT
7	146 2940 000	1	BRAKE CABLE NOT SHOWN
1A	146 2952 000	1	PEDAL SPEED CONTROL KIT
2B	1464401000	1	PEDAL BRAKE KIT

A: starting from S/N 051807363

B: starting from S/N 062211241

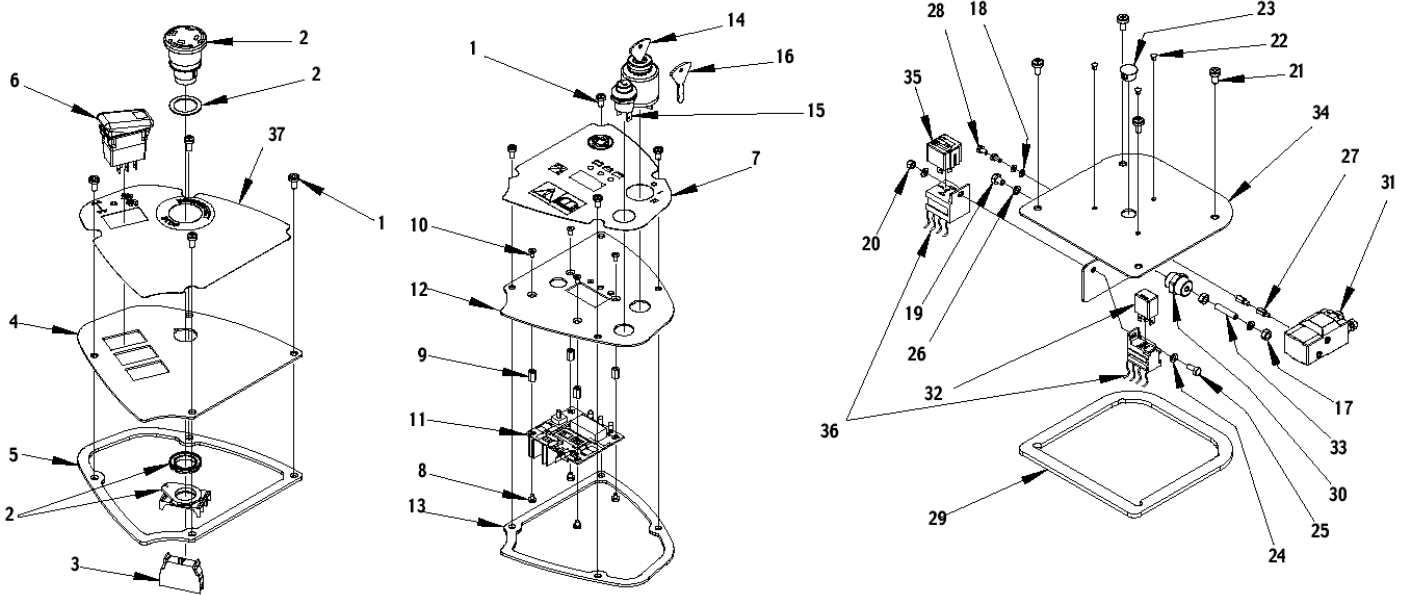
Control Panel System

SR 1000S B

21-04-2015

Part List ID
F39127

29



Control Panel System

SR 1000S B

21-04-2015

Part List ID

F-39127

30

Pos	Part no.	Qty	Description	
1		8	NOTE COMMENT	SCREW M5X10
2	146 1727 000	1	SWITCH EMERGENCY	
3	146 1728 000	1	CONTACT. NC.	
4	146 1930 000	1	CONTROL PANEL LEFT	
5	146 1932 000	1	GASKET CONTROL PANEL LEFT	
6	146 1935 000	1	SWITCH	
7	146 1882 000	1	DECAL CONTROL PANEL RT	
8		4	NOTE COMMENT	SCREW M4X5
9		4	NOTE COMMENT	SPACER
10		4	NOTE COMMENT	SCREW M4X8
11	1466161000	1	CONTROLLER MAIN MACHINE KIT	INST. INSTR. 1465914000
12	146 1931 000	1	CONTROL PANEL RIGHT	
13	146 1933 000	1	GASKET CONTR. PANEL RIGHT	
14	145 9373 000	1	SWITCH KEY STARTER	
15	145 9678 000	1	SWITCH HORN	
16	146 0073 00	1	KEY	
17		2	NOTE COMMENT	NUT M6
18		2	NOTE COMMENT	WASHER D.4
19		1	NOTE COMMENT	SCREW M6X8
20		1	NOTE COMMENT	NUT SELFLOCKING M5
21		4	NOTE COMMENT	SCREW M6X12
22		3	NOTE COMMENT	CAP
23	145 8008 000	1	CAP D.18.2	
24		2	NOTE COMMENT	WASHER FLAT 5X10
25		1	NOTE COMMENT	SCREW M5X12
26		2	NOTE COMMENT	WASHER D.6
27		2	NOTE COMMENT	SPACER
28		2	NOTE COMMENT	SCREW M4X8
29	146 0697 000	1	GASKET ADHESIVE F CONTR. PANEL	
30	146 0708 000	1	INSULATOR M6 WHITE	
31	146 0719 000	1	SWITCH ELECTROMAGNETIC 24V	
32	146 1646 000	1	RELAY 24V	
33	146 1678 000	1	SCREW GRUB M6X30 CUP POINT ISO4029	
34	146 1936 000	1	CONTROL PANEL	
35	145 3712 000	1	RELAY 24V	
36	146 1903 000	1	HARNESS REAR CONTROL PAN.	
37	146 1883 000	1	DECAL CONTROL PANEL LT	
38	146 1902 000	1	HARNESS CONTROL PANEL	NOT SHOWN
K1	1464402000	1	HARDWARE CONTR. PANEL KIT	NOT SHOWN (POS.1-8-9-10-17-18-19-20-21-22-24-25-26

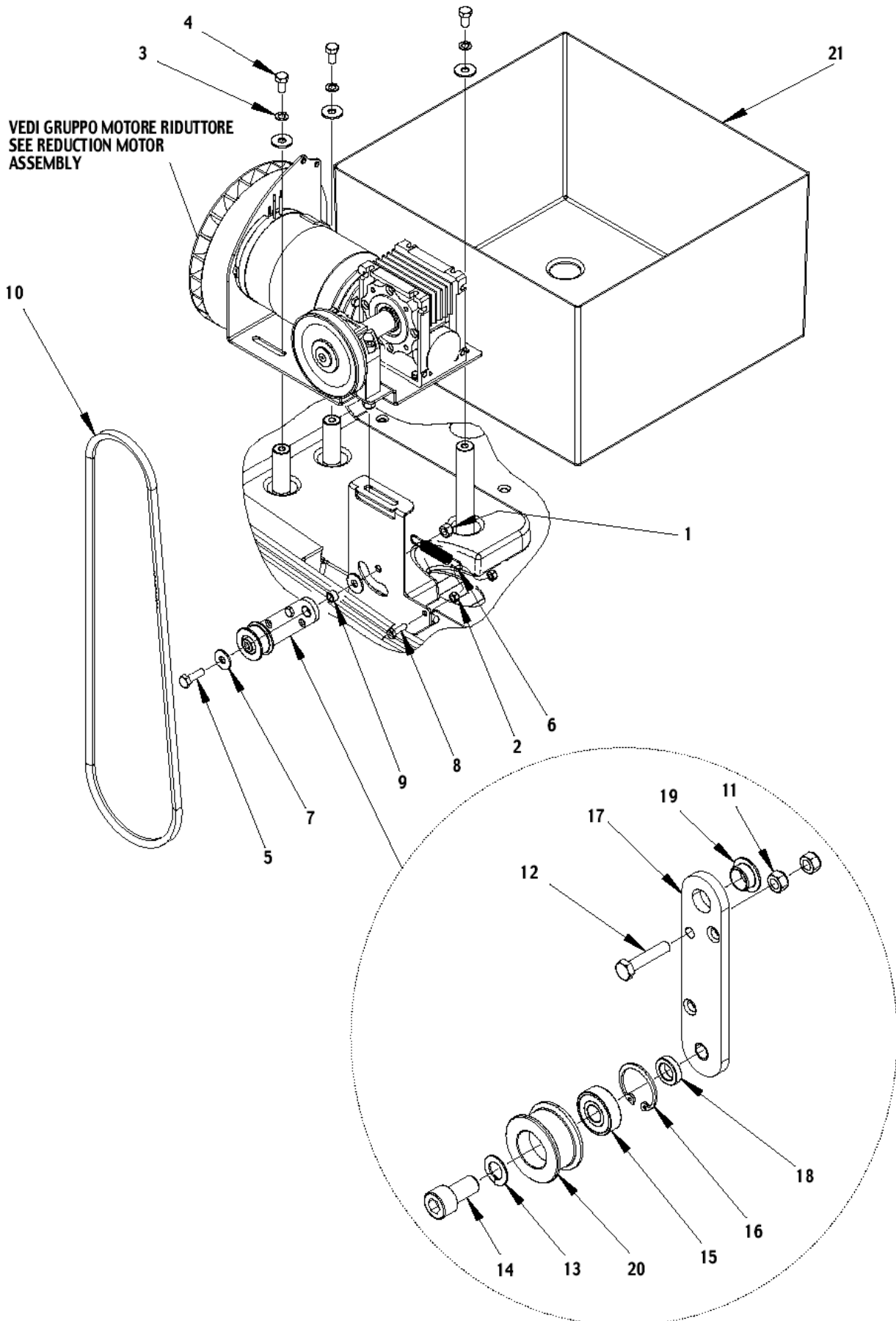
Transmission System

SR 1000S B

21-04-2015

Part List ID
F39129

31



Transmission System

SR 1000S B

21-04-2015

Part List ID

F-39129

32

Pos	Part no.	Qty	Description	
1		1	NOTE COMMENT	NUT SELFLOCKING M8
2		2	NOTE COMMENT	NUT SELFLOCKING M6
3		3	NOTE COMMENT	WASHER SPLIT 8
4		3	NOTE COMMENT	SCREW M8X16
5		1	NOTE COMMENT	SCREW M8X25
6	146 3135 000	1	SPRING	
7		5	NOTE COMMENT	WASHER FLAT 8X24
8		1	NOTE COMMENT	SCREW M6X20
9		1	NOTE COMMENT	SPACER
10	146 3137 000	1	BELT TRANSMISSION KIT	TSB IT 2007-002 - INST.INSTR.CODE 146 3139 000
11		2	NOTE COMMENT	NUT SELFLOCKING M6
12		1	NOTE COMMENT	SCREW M6X30
13		1	NOTE COMMENT	WASHER SPLIT 10
14		1	NOTE COMMENT	SCREW M10X20
15		1	NOTE COMMENT	BALL BEARING
16		1	NOTE COMMENT	RETAINING RING
17		1	NOTE COMMENT	BELT TENSIONER ARM
18		1	NOTE COMMENT	SPACER
19		1	NOTE COMMENT	BEARING WITH FLANGE
20		1	NOTE COMMENT	BELT TENSIONER ROLLER
21	146 1684 000	1	CONTAINER BATTERY	
K1	1464403000	1	HARDWARE TRANSMISSION KIT	NOT SHOWN (POS.1-2-3-4-5-7-8-9-12-13-14-15-16-17-1

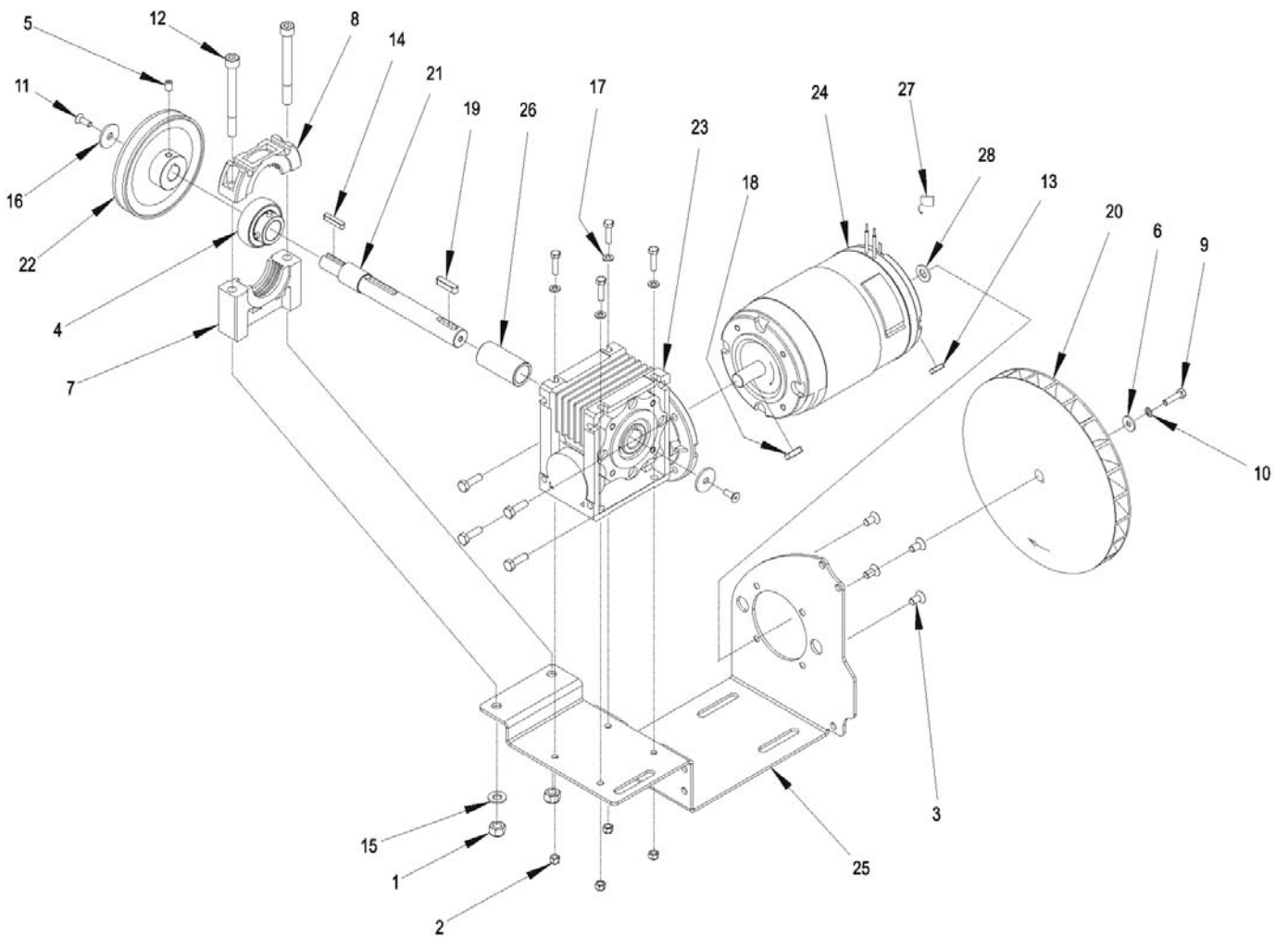
Reduction Motor Assembly

SR 1000S B

21-04-2015

Part List ID
F39131

33



Reduction Motor Assembly

SR 1000S B

21-04-2015

Part List ID
F-39131

34

Pos	Part no.	Qty	Description	
1		1	NOTE COMMENT	NUT SELFLOCKING M8
2		2	NOTE COMMENT	NUT SELFLOCKING M6
3		3	NOTE COMMENT	WASHER SPLIT 8
4	145 1123 000	1	BEARING BALL YAT204	
5		1	NOTE COMMENT	DOWEL
6		1	NOTE COMMENT	WASHER FLAT 5X15
7	145 1976 000	1	SUPPORT BEARING LOWER	
8	145 1977 000	1	SUPPORT BEARING UPPER	
9		1	NOTE COMMENT	SCREW M6X20
10		1	NOTE COMMENT	WASHER SPLIT 5
11		1	NOTE COMMENT	SCREW M5X14
12		1	NOTE COMMENT	SCREW M6X30
13	146 1489 000	1	KEY 4X4X15 UNI6604A	
14	1466146000	1	KEY 5X5X25 UNI6604A PKD	
15		1	NOTE COMMENT	BALL BEARING
16		1	NOTE COMMENT	RETAINING RING
17		1	NOTE COMMENT	BELT TENSIONER ARM
18	1466147000	1	KEY 5X5X20 UNI6604A PKD	
19	145 9899 000	1	KEY 6X6X25 UNI6604A	
20	146 0537 000	1	FAN	
21	146 0540 000	1	SHAFT TRANSMISSION	
22	146 1921 000	1	PULLEY	
23	1463249000	1	REDUCTION GEAR COMPLETE 5 1	
24	146 1923 000	1	MOTOR ELECTRIC 600W 24V	
25	146 1924 000	1	PLATE. SUPPORTING	
26	146 1925 000	1	SPACER	
27	L08603949	1	CARBON BRUSHES KIT 4 PCS	
28	146 2814 000	1	WASHER	
K1	1464404000	1	HARDWARE REDUCT.MOTOR KIT	NOT SHOWN (POS.1-2-3-5-6-9-10-11-12-13-14-15-16-17)

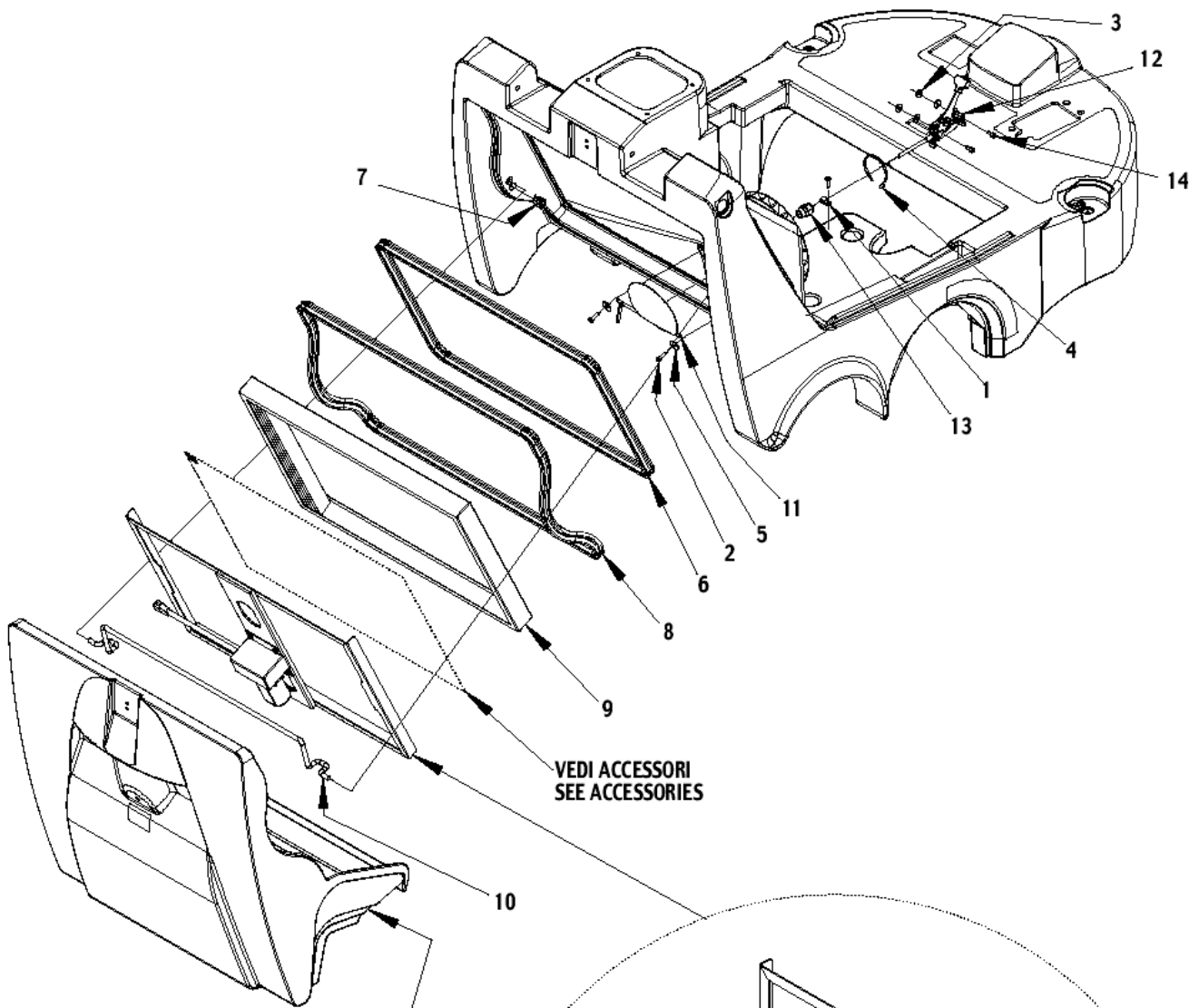
Dust Control System

SR 1000S B

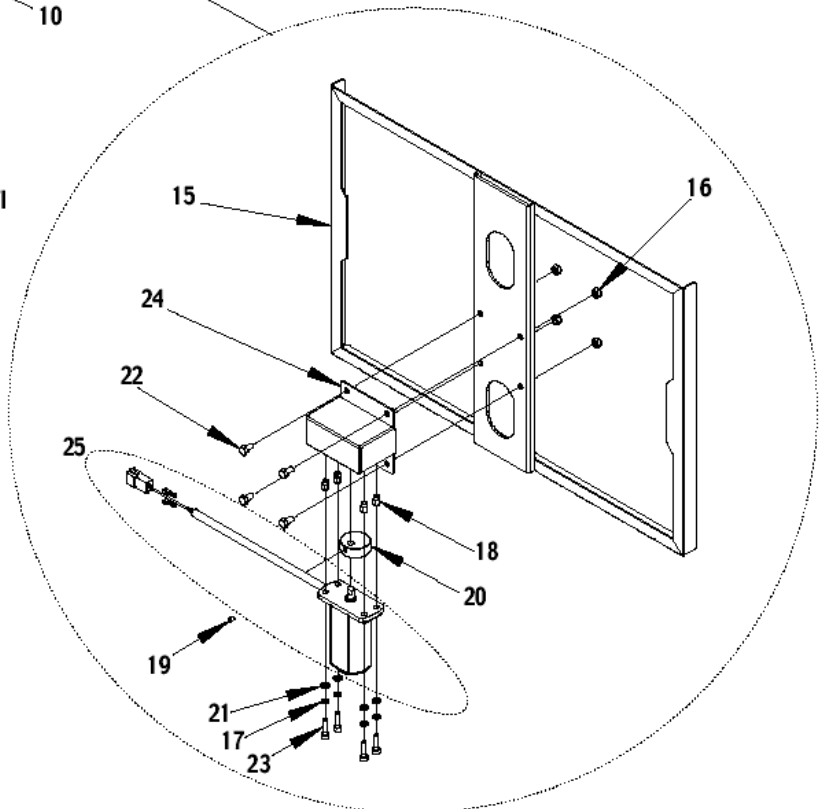
21-04-2015

Part List ID
F39133

35



VEDI SISTEMA CASSETTO DI RIFIUTI
SEE HOPPER SYSTEM



Dust Control System

SR 1000S B

21-04-2015

Part List ID

F-39133

36

Pos	Part no.	Qty	Description	
1		1	NOTE COMMENT	CLAMP GREY
2		3	NOTE COMMENT	SCREW M4.6X19.2
3		4	NOTE COMMENT	WASHER FLAT 5X15
4		1	NOTE COMMENT	CLAMP
5		2	NOTE COMMENT	WASHER FLAT 5X20
6	146 0630 000	1	GASKET BULB RUBBER L.1800MM	
7	146 0661 000	1	GROMMET	
8	146 0741 000	1	GASKET BULB RUBBER L.2030MM	
9	146 1888 000	1	FILTER PAPER	
9	146 1988 000	1	FILTER POLYESTER	OPTIONAL
9	146 1989 000	1	FILTER POLYESTER ANTIST.	OPTIONAL
10	146 1889 000	1	CLAMP FILTER	
11	146 1890 000	1	VALVE. THROTTLE	
12	146 1891 000	1	CABLE	
13	146 1892 000	1	CLAMP CABLE	
14	146 2127 000	2	SCREW M5X10 CAP HD HEX SOCK ISO4762	
14		2	NOTE COMMENT	SCREW M5X10
15	146 1947 000	1	FRAME FOR PANEL FILTER	
16		4	NOTE COMMENT	NUT SELFLOCKING M6
17		4	NOTE COMMENT	WASHER SPLIT 5
18		4	NOTE COMMENT	INSERT HEX. 5
19		1	NOTE COMMENT	DOWEL
20	145 8376 000	1	CAM	
21		4	NOTE COMMENT	WASHER FLAT M5X10
22		4	NOTE COMMENT	SCREW M6X12
23		4	NOTE COMMENT	SCREW M5X20
24	1466335000	1	BRACKET FILTER SHAKER PKD	
25	1466314000	1	MOTOR FILTER SHAKER 12W 24V KIT	
26	146 1893 000	1	PRE-FILTER	NOT SHOWN - OPTIONAL
K1	1464405000	1	HARDWARE DUST CONTROL KIT	NOT SHOWN (POS.1-2-3-4-5-14-16-17-18-19-21-22-23)

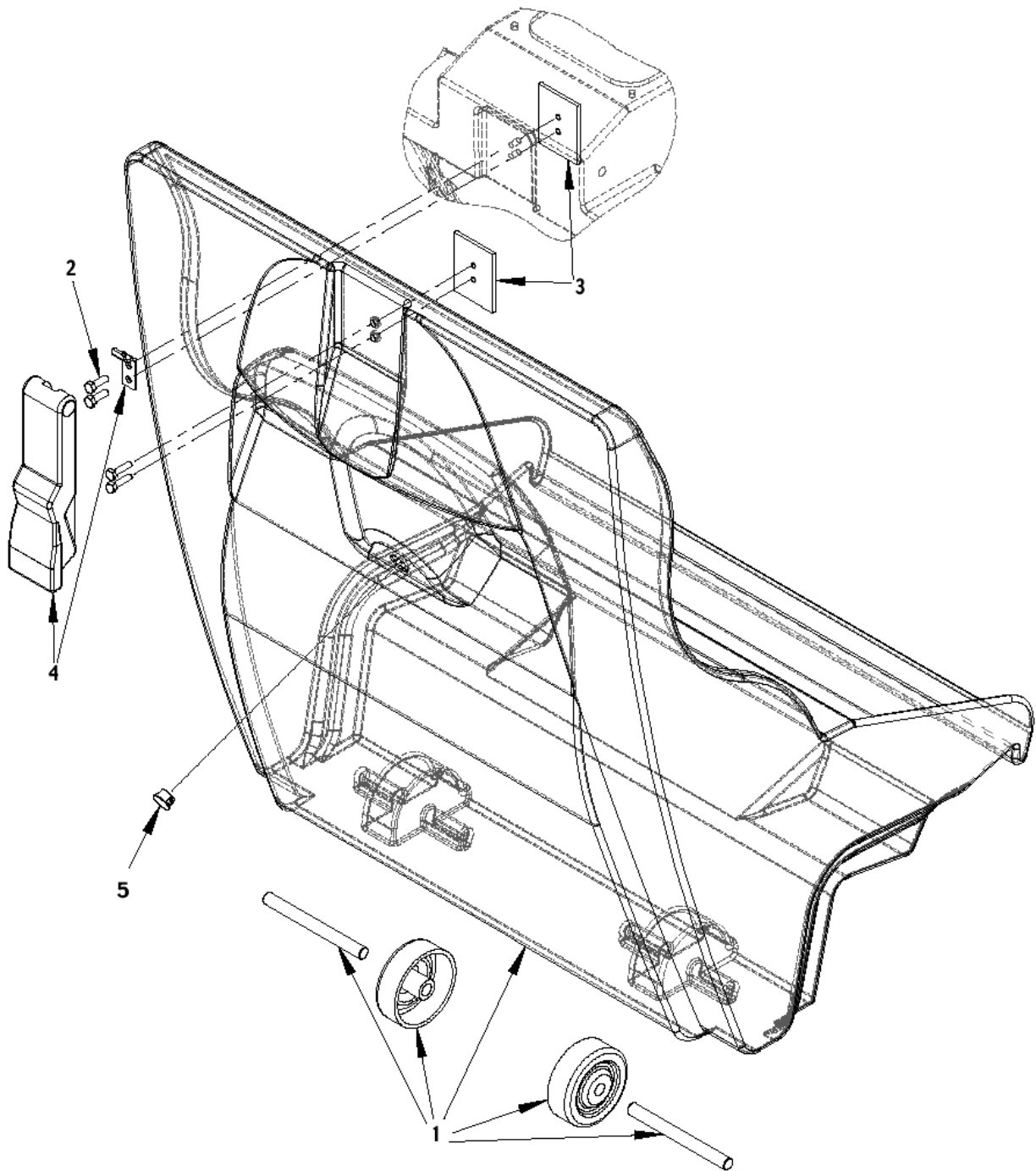
Hopper System

SR 1000S B

21-04-2015

Part List ID
F39135

37



Hopper System

SR 1000S B

21-04-2015

Part List ID
F-39135

38

Pos	Part no.	Qty	Description
1	1466159000	1	CONTAINER WASTE GREY ROTOMOULDED KIT
2	33003963	4	SCREW M5X20 HEX HD F/THD ISO4017
3	146 0562 000	2	PLATE
4	146 0520 000	1	HOOK RUBBER
5	145 4259 000	1	CAP. BLACK D.11.9

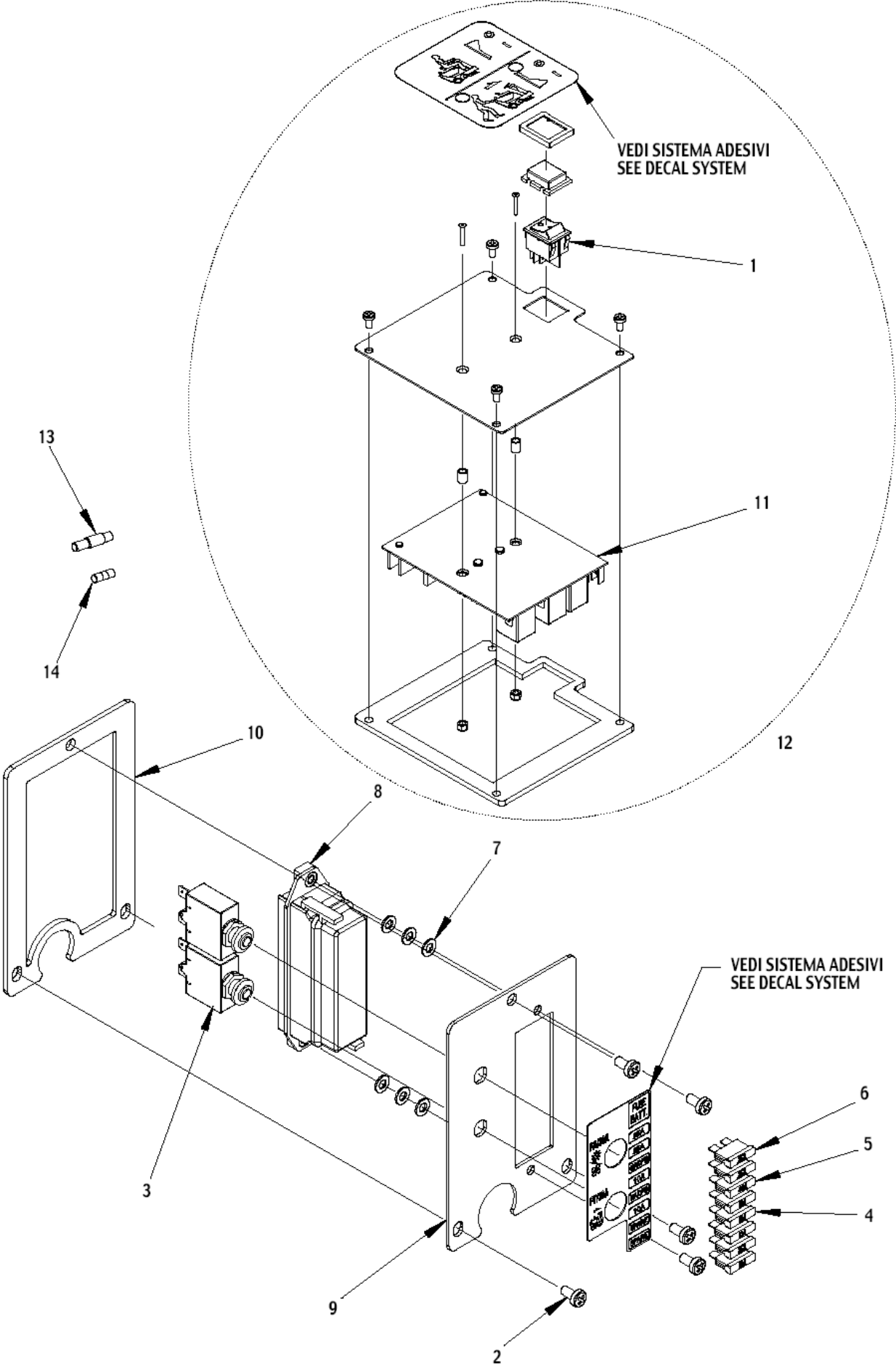
Electrical Components

SR 1000S B

21-04-2015

Part List ID
F39137

39



Electrical Components

SR 1000S B

21-04-2015

Part List ID F-39137

40

Pos	Part no.	Qty	Description	
1	909 5668 000	1	SWITCH COMPLETE	
2	L08603041	4	SCREW M5X10 PAN HD PHIL ISO7045 SCOTCH-	
3	909 5706 000	2	BREAKER CIRCUIT 30A	
4	146 0068 00	3	FUSE BLADE 10A	
5	145 0227 000	1	FUSE BLADE 40A	
6	145 8514 000	2	FUSE BLADE 25A	
7	33005912	6	WASHER M5 UNI6592	
8	146 1170 000	1	HOLDER FUSE 8 WAYS	
9	146 1952 000	1	PANEL. ELECTR.COMPONENTS	
10	146 1953 000	1	GASKET	
11	146 2880 000	1	CONTROLLER DRIVE WHEEL	
12	146 2135 000	1	CARD ELECTRONIC DRIVE KITSR 1000S	
13	146 2243 000	1	HOLDER FUSE	
15	146 1986 000	1	CONNECTOR 120A	NOT SHOWN
16A	1463241000	1	HARNESS SEAT MICRO KIT	NOT SHOWN INSTAL.INSTR. 1463243000

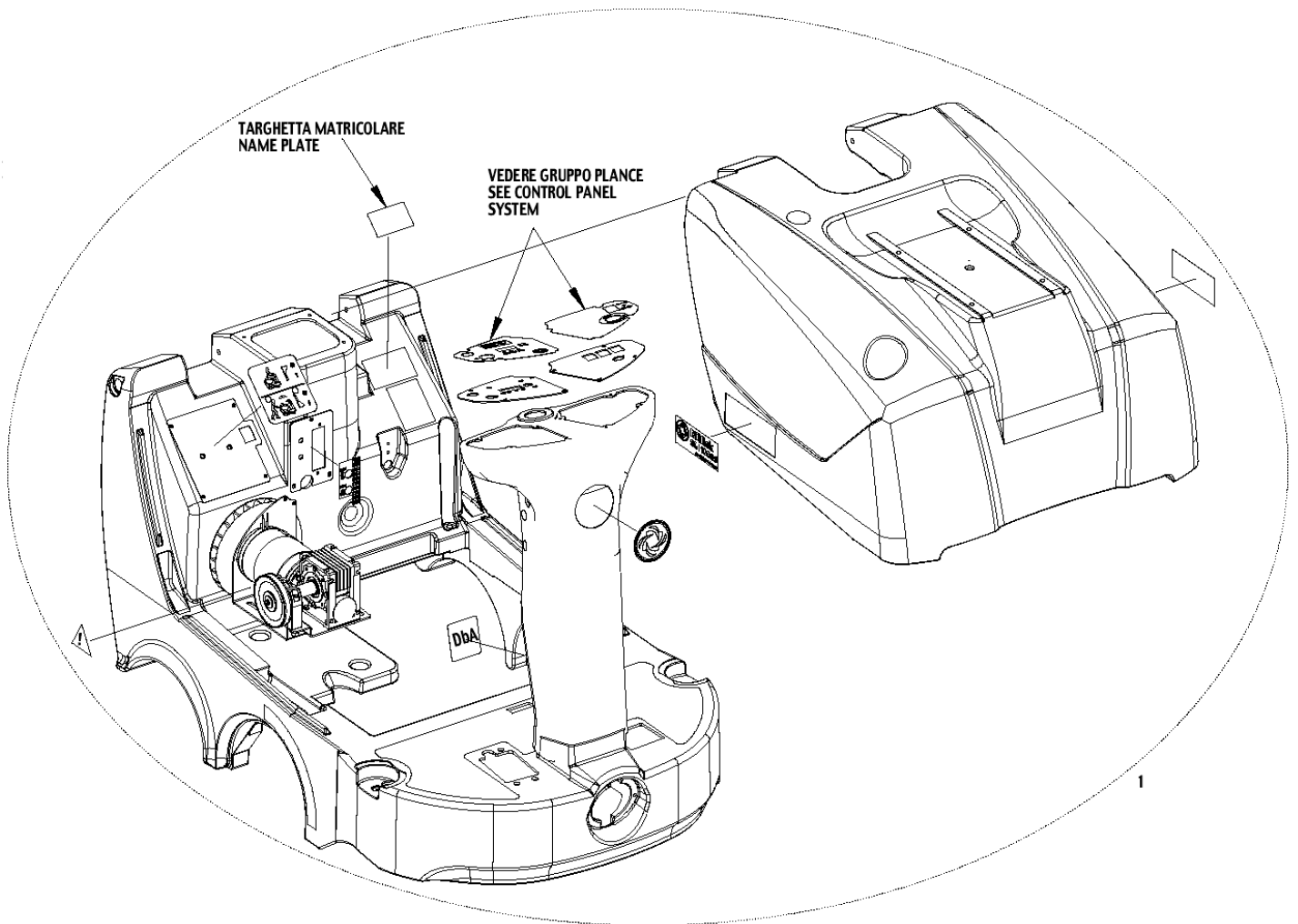
Decals

SR 1000S B

21-04-2015

Part List ID
F39139

41



Decals

SR 1000S B

21-04-2015

Part List ID F-39139

42

Pos	Part no.	Qty	Description
1	1463742000	1	DECALS SR 1000S B KIT

Accessories 1 - Battery charger

SR 1000S B

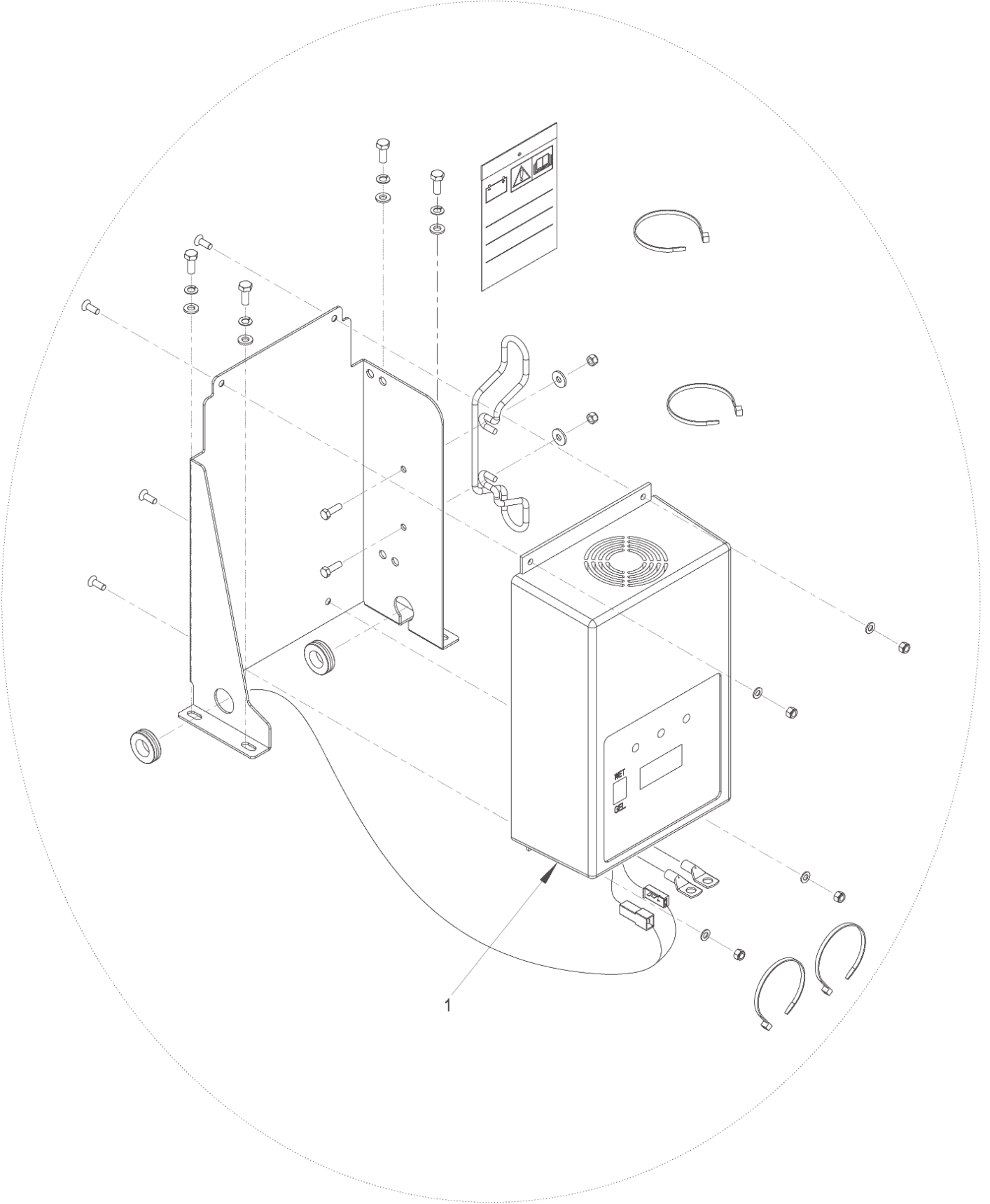
21-04-2015

Part List ID

F39141

43

KIT CARICA BATTERIA /BATTERY CHARGER KIT



Accessories 1 - Battery charger

SR 1000S B

21-04-2015

Part List ID

F-39141

44

Pos	Part no.	Qty	Description	
1	146 2131 000	1	CHARGER BATT. ON BOARD 24V 25A 230V CPL	BEFORE SN 3810144200009
1	1466315000	1	CHARGER BATT. ON BOARD 24V 13A 230V PKD	STARTING FROM SN 3810144200009
2	145 1726 000	1	FUSE 10A	NOT SHOWN - BEFORE SN 3810144200009 F 146 2131 000
3	146 0801 000	1	SWITCH WET/GEL	NOT SHOWN - BEFORE SN 3810144200009 F 146 2131 000
4	146 2052 000	1	CHARGER BATT. ON BOARD 24V 25A 230V KIT	NOT SHOWN - OPT. BEFORE SN 3810144200009 F 146 213
5	146 2139 000	1	CARD ELECTRONIC BATTERY CHARGER	NOT SHOWN - BEFORE SN 3810144200009 F 146 2131 000
6	146 2142 000	1	FAN COOLING	NOT SHOWN - BEFORE SN 3810144200009 F 146 2131 000
7	1466172000	1	CONTROLLER DISPLAY PKD	NOT SHOWN - BEFORE SN 3810144200009 F 146 2131 000
8	146 2144 000	1	CABLE	NOT SHOWN - BEFORE SN 3810144200009 F 146 2131 000
9	1464527000	1	CHARGER BATT. ON BOARD 24V 13A 230V KIT	NOT SHOWN - OPT. STARTING FROM SN 3810144200009
10	1465917000	1	HARDWARE BATTERY CHARGER KIT	NOT SHOWN - FROM SN 3810144200009 F 1466315000
11	9100000787	1	CABLE EXTENSION EU PLUG L.2000 PKD	NOT SHOWN - FROM SN 3810144200009 F 1466315000

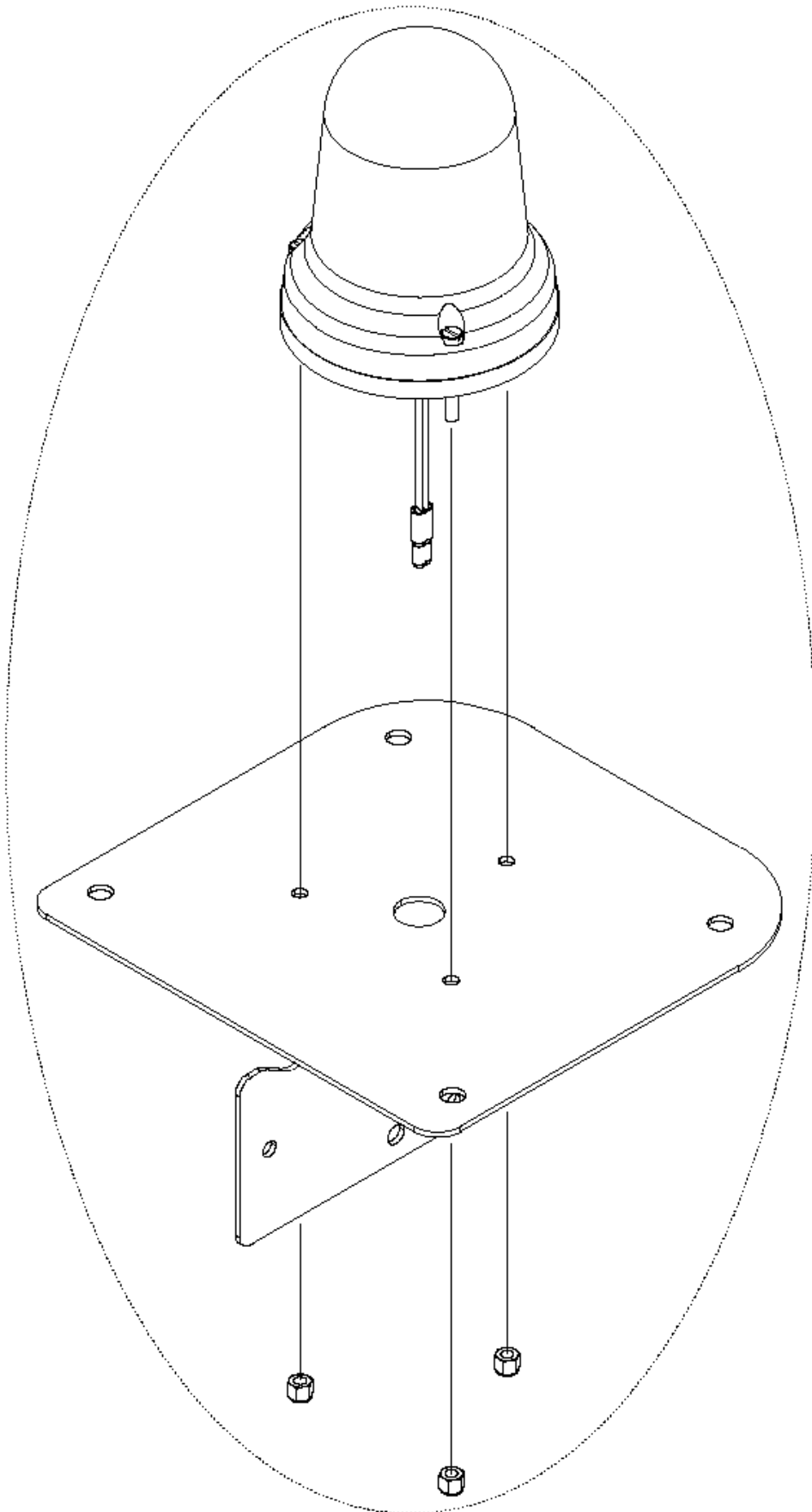
Accessories 2

SR 1000S B

21-04-2015

Part List ID F39143

45



Accessories 2

SR 1000S B

21-04-2015

Part List ID
F-39143

46

Pos	Part no.	Qty	Description
0	146 2659 000	1	BEACON FLASHING KIT

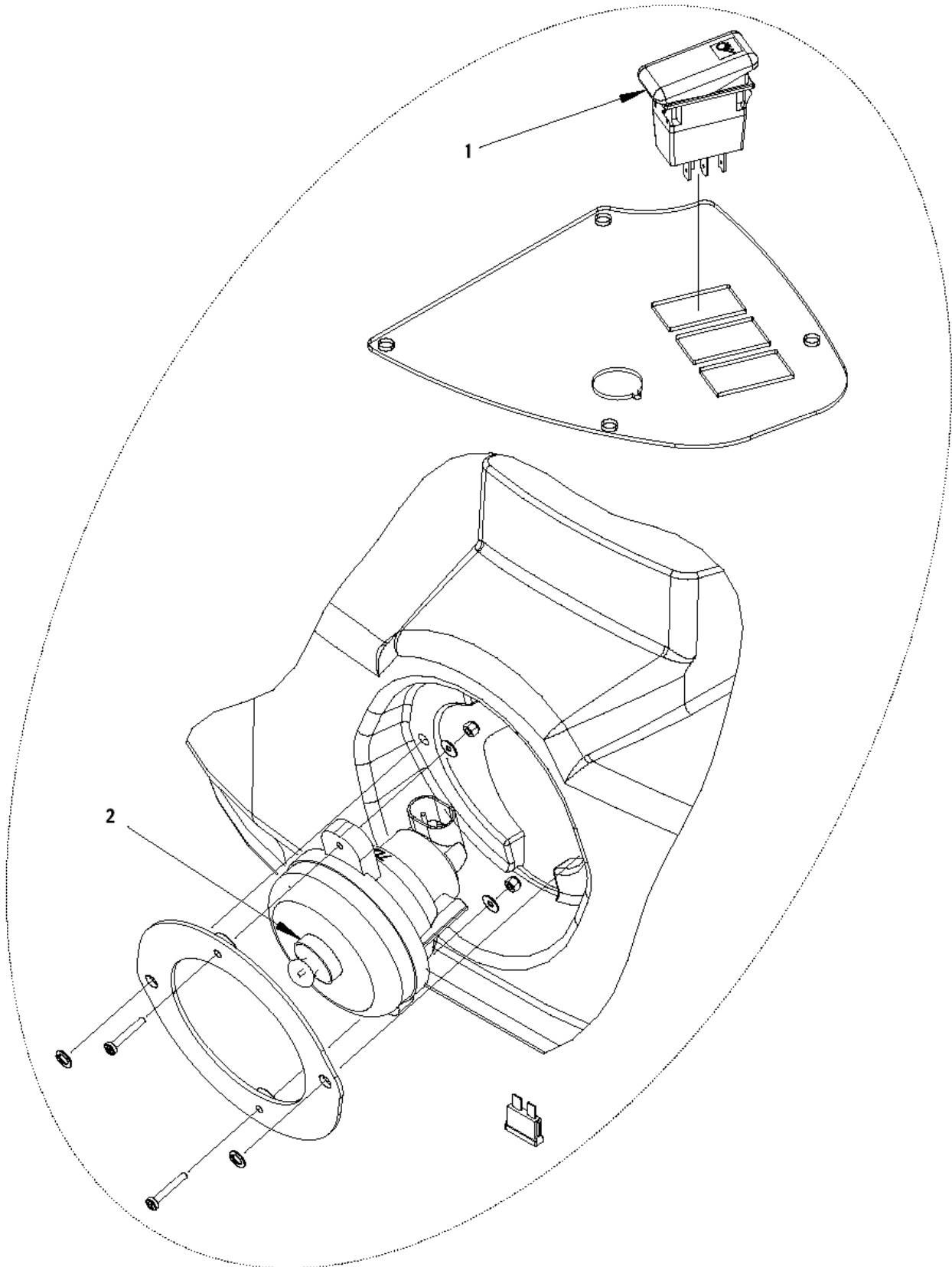
Accessories 3

SR 1000S B

21-04-2015

Part List ID
F39145

47



Accessories 3

SR 1000S B

21-04-2015

Part List ID F-39145

48

Pos	Part no.	Qty	Description
	146 2663 000	1	LIGHT WORKING KIT
1	146 1974 000	1	SWITCH
2	145 5518 000	1	LAMP 24V 21W

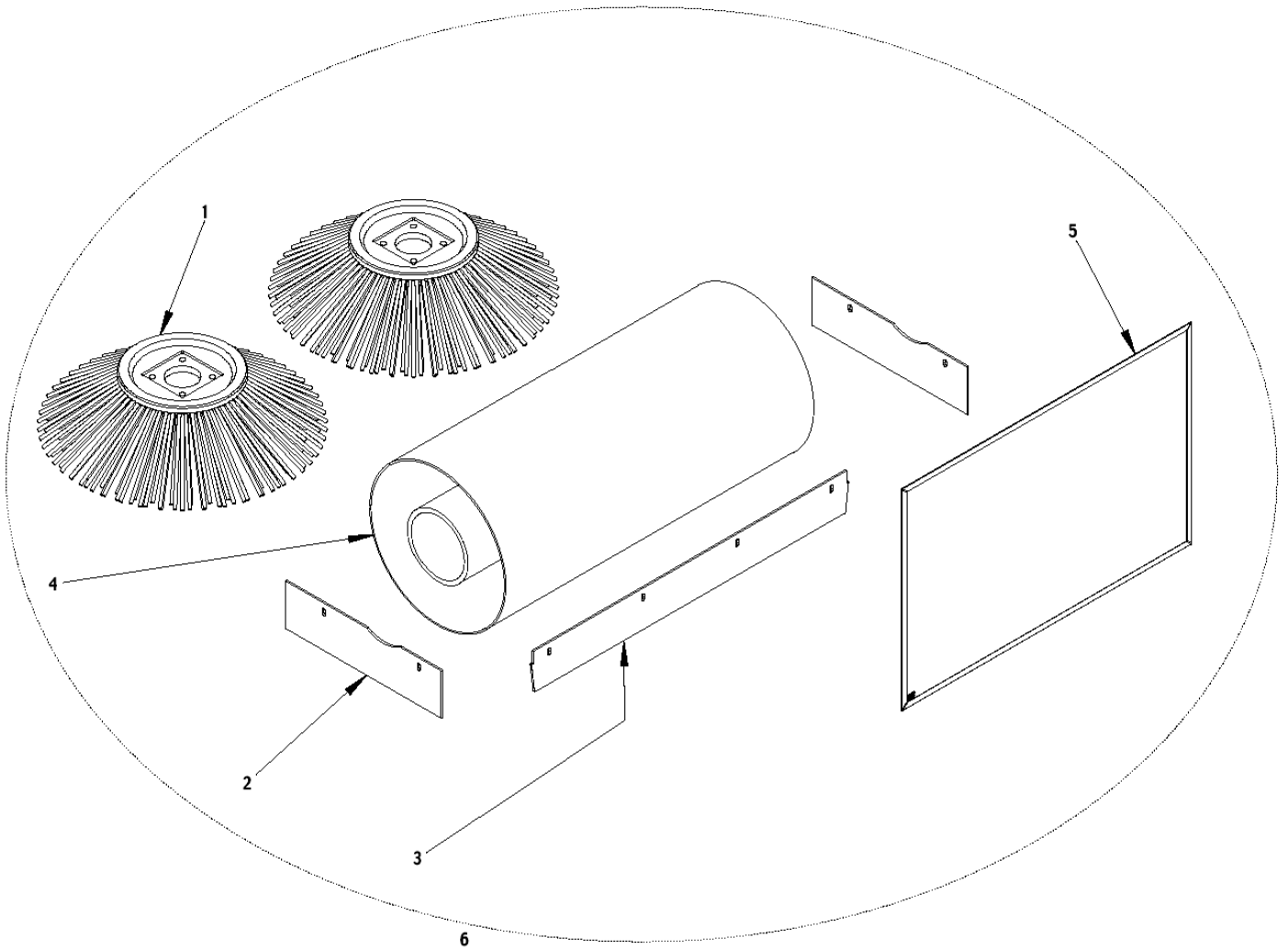
Accessories 4

SR 1000S B

21-04-2015

Part List ID F39147

49



Accessories 4

SR 1000S B

21-04-2015

Part List ID F-39147

50

Pos	Part no.	Qty	Description
1	145 4976 000	2	BROOM SIDE 180X400 NATURAL
2	146 0587 000	2	SKIRT SIDE NON MARKING
3	146 0743 000	1	SKIRT REAR NON MARKING
4	146 0753 000	1	BROOM MAIN 245X600 CHEVRON 6R NATURAL
5	146 1893 000	1	PRE-FILTER
6	146 2102 000	1	CARPET KIT

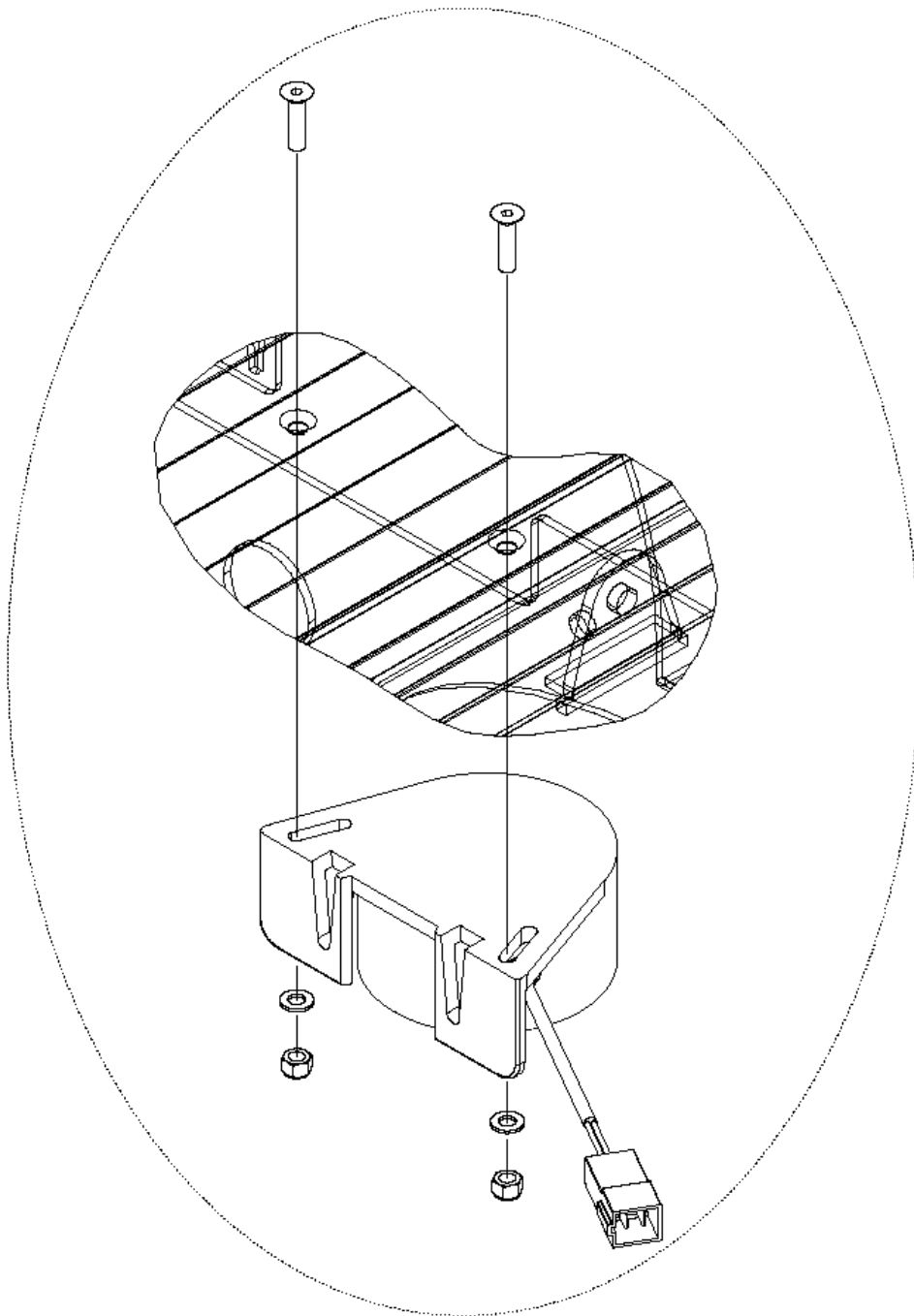
Accessories 5

SR 1000S B

21-04-2015

Part List ID
F39149

51



Accessories 5

SR 1000S B

21-04-2015

Part List ID F-39149

52

Pos	Part no.	Qty	Description
0	146 2661 000	1	ALARM BACK UP KIT

Recommended spare parts 1

SR 1000S B

21-04-2015

Part List ID

F39152

53

No Drawing For Part List

Recommended spare parts 1

SR 1000S B

21-04-2015

Part List ID

F-3915Z

54

Pos	Part no.	Qty	Description
1	146 1888 000	1	FILTER PAPER
2	146 0738 000	1	SKIRT REAR
3	146 0756 000	1	SKIRT FRONT SOFT
4	146 0555 000	2	SKIRT SIDE
5	146 0748 000	1	BROOM MAIN 265X600 CHEVRON 6R PPL 0.7
6	145 1899 000	2	BROOM SIDE 180X400 PPL 0.7
7	145 8514 000	2	FUSE BLADE 25A
8	145 0227 000	1	FUSE BLADE 40A
9	146 0068 000	4	FUSE BLADE 10A
10	145 9184 000	1	SPRING
11	146 3137 000	1	BELT TRANSMISSION KIT
12	146 0519 000	2	HUB SIDE BROOM
13	1464432000	1	CARBON BRUSHES KIT 4 PCS
14	1464433000	4	CARBON BRUSHES KIT 4 PCS
15	146 1899 000	2	WHEEL
16	1463184000	1	WHEEL FRONT
17	146 0945 000	2	ROLLER BUMPER
18	145 4536 000	2	CIRCLIP M6
19	145 1975 000	1	CABLE SKIRT RAIS.DEVICE
20	145 1935 000	1	SPRING
21	145 8066 000	1	BRAKE FRONT WHEEL
22	146 2122 000	1	PEDAL BRAKE KIT
23	145 2713 000	1	CHAIN ROLLER 3/8 - 59 PITCHES
24	145 9604 000	1	LINK 3/8
25	145 0222 000	1	CHAIN ROLLER 3/8 - 35 PITCHES
26	146 2166 000	1	REDUCTION GEARMOTOR CPL CON/SHEATH
27	1464152000	2	REDUCTION GEARMOTOR 60W 24V
28	145 0274 000	2	SPRING
30	146 0719 000	1	SWITCH ELECTROMAGNETIC 24V
31	146 1646 000	1	RELAY 24V
32	145 3712 000	1	RELAY 24V
33	1466161000	1	CONTROLLER MAIN MACHINE KIT
34	146 0565 000	1	SWITCH. HOOD SAFETY
35	145 4691 000	1	BEARING TAPER ROLLER 32006
36	145 0225 000	1	BEARING BALL 6006 2RS1
37	146 1928 000	1	GASKET
38	145 0221 000	1	PINION Z17 3/8 7/32
39	146 0741 000	1	GASKET BULB RUBBER L.2030MM
40	146 0630 000	1	GASKET BULB RUBBER L.1800MM
41	146 1891 000	1	CABLE
42	1466314000	1	MOTOR FILTER SHAKER 12W 24V KIT
43	909 5668 000	1	SWITCH COMPLETE
44	146 2134 000	1	PEDAL SPEED CONTROL KIT W/ MICRO SWITCH

POSITION 44: 146 2134 000 till machine serial number 051807363 - VALID TILL 18.05.2005 see TSB IT 2005-009

Recommended spare parts 1

SR 1000S B

21-04-2015

Part List ID

F-39152

55

Pos	Part no.	Qty	Description
45	146 1943 000	1	POTENTIOMETER
48	146 0073 00	1	KEY
49	146 2880 000	1	CONTROLLER DRIVE WHEEL
50	145 9679 000	1	MICROSWITCH 10A 250V
51	909 5706 000	2	BREAKER CIRCUIT 30A

Recommended spare parts 2

SR 1000S B

21-04-2015

Part List ID
F39153

56

No Drawing For Part List

Recommended spare parts 2

SR 1000S B

21-04-2015

Part List ID

F-39153

57

Pos	Part no.	Qty	Description
52	146 1988 000	1	FILTER POLYESTER
53	146 1989 000	1	FILTER POLYESTER ANTIST.
54	146 0749 000	1	BROOM MAIN 265X600 CHEVRON 6R NATURAL
55	146 0750 000	1	BROOM MAIN 265X600 CHEVRON 6R MIX STEEL
56	146 0751 000	1	BROOM MAIN 245X600 CHEVRON 6R PPL 0.7
57	146 0753 000	1	BROOM MAIN 245X600 CHEVRON 6R NATURAL
58	146 0752 000	1	BROOM MAIN 245X600 CHEVRON 6R NYLON
59	145 4959 000	2	BROOM SIDE 180X400 MIX STEEL
60	145 4976 000	2	BROOM SIDE 180X400 NATURAL
61	146 0678 000	2	BROOM SIDE 180X350 NYLON
62	146 2659 000	1	BEACON FLASHING KIT
63	146 2663 000	1	LIGHT WORKING KIT
64	146 2303 000	1	HARDWARE.VAC.CLEANER KIT SR 1000S
65	146 2661 000	1	ALARM BACK UP KIT
66	146 2052 000	1	CHARGER BATT. ON BOARD 24V 25A 230V KIT
67	146 2102 000	1	CARPET KIT
68	146 0587 000	2	SKIRT SIDE NON MARKING
69	146 0743 000	1	SKIRT REAR NON MARKING
71	146 1893 000	1	PRE-FILTER

Electric Diagram

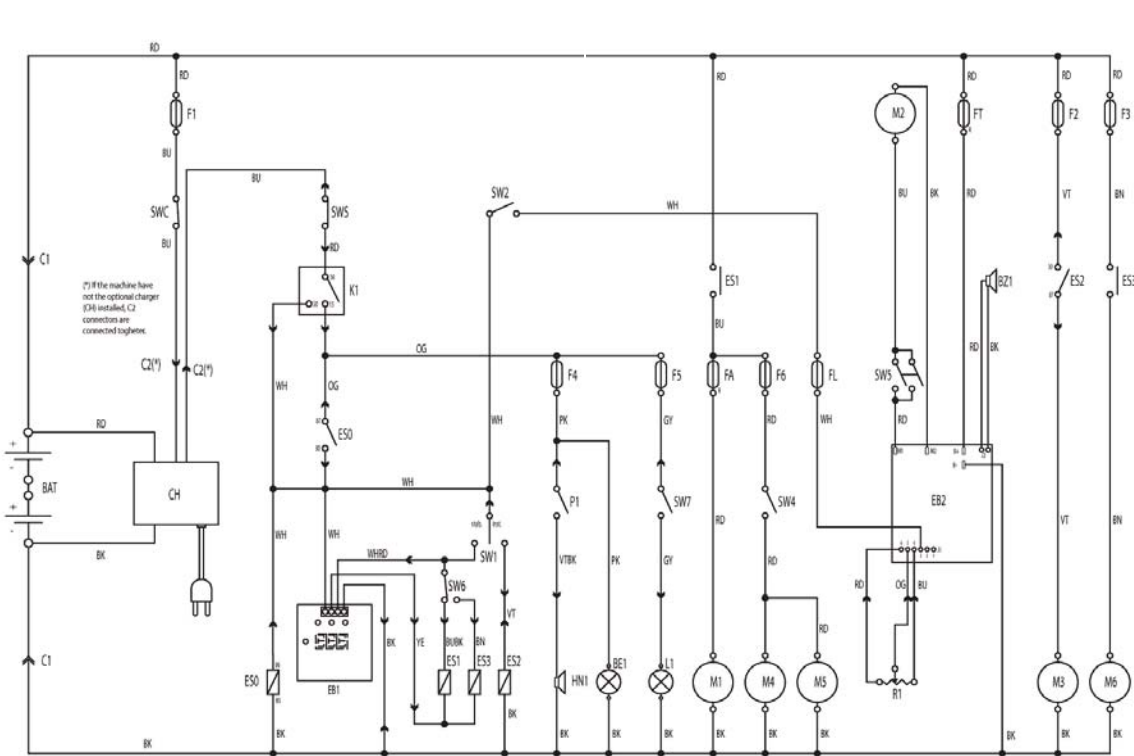
SR 1000S B

21-04-2015

Part List ID

F39154

58



WIRING DIAGRAM
SR1000S B
146 2006 000 Rev.C

COMPONENTS	
BAT	24V BATTERY
BE1	BEACON (OPT)
BZ1	REW BUZZER
C1	BATTERY CONNECTOR
CH1	BATTERY CHARGER (OPT)
EB1	HOUR METER & BATT. DISPLAY
EB2	DRIVE ELECTRONIC BOARD
ES0	START RELAYS
ES1	MAIN BRUSH ELECTROM. SWITCH
ES2	SHAKER RELAYS
ES3	VACUUM ELECTROM. SWITCH (OPT)
FA	MAIN BRUSH CIRCUIT BREAKER
FL	DRIVE BOARD FUSE (0A)
FT	DRIVE CIRCUIT BREAKER
F1	SERVICES (MAIN) FUSE (25A)
F2	SHEAKER FUSE (25A)
F3	VACUUM FUSE (40A) (OPT)
F4	HORN AND BEACON FUSE (10A)
F5	WORKING LIGHT FUSE (10A) (OPT)
F6	SIDE BRUSHES FUSE (10A)
HN1	HORN
K1	KEY
L1	WORKING LIGHT (OPT)
M1	MAIN BRUSH MOTOR
M2	DRIVE MOTOR
M3	SHEAKER MOTOR
M4	RIGHT BRUSH MOTOR
M5	LEFT BRUSH MOTOR (OPT)
M6	VACUUM MOTOR (OPT)
P1	HORN BUTTON
R1	DRIVE SPEED POTENTIOMETER
SWC	HOOD SAFETY MICROSWITCH
SWS	SAFETY SWITCH
SW1	BRUSHES AND SHEAKER SWITCH
SW2	SEAT SAFETY SWITCH
SW4	SIDE BRUSHES MICROSWITCH
SW5	DRIVE SWITCH
SW6	VACUUM SWITCH (OPT)
SW7	WORKING LIGHT SWITCH (OPT)

Electric Diagram

SR 1000S B

21-04-2015

Part List ID

F-39154

59