

# UZ 878/878B

---

Model:  
UZ 878/878B



Part List US-English

11-02-2015

# Table of Contents

UZ 878/878B

|  |           |
|--|-----------|
| <b>Panel line drawing UZ 878</b>         | <b>3</b>  |
| <b>USA panel line drawing UZ 878</b>     | <b>5</b>  |
| <b>Fan unit and sealing rings UZ 878</b> | <b>7</b>  |
| <b>Table, fan unit and cord</b>          | <b>9</b>  |
| <b>Cart and frame UZ 878</b>             | <b>11</b> |
| <b>Tank UZ 878</b>                       | <b>13</b> |
| <b>Draining pump UZ 878B</b>             | <b>15</b> |
| <b>Hose and tube part numbers UZ 878</b> | <b>17</b> |
| <b>Nozzles, UZ 878</b>                   | <b>19</b> |

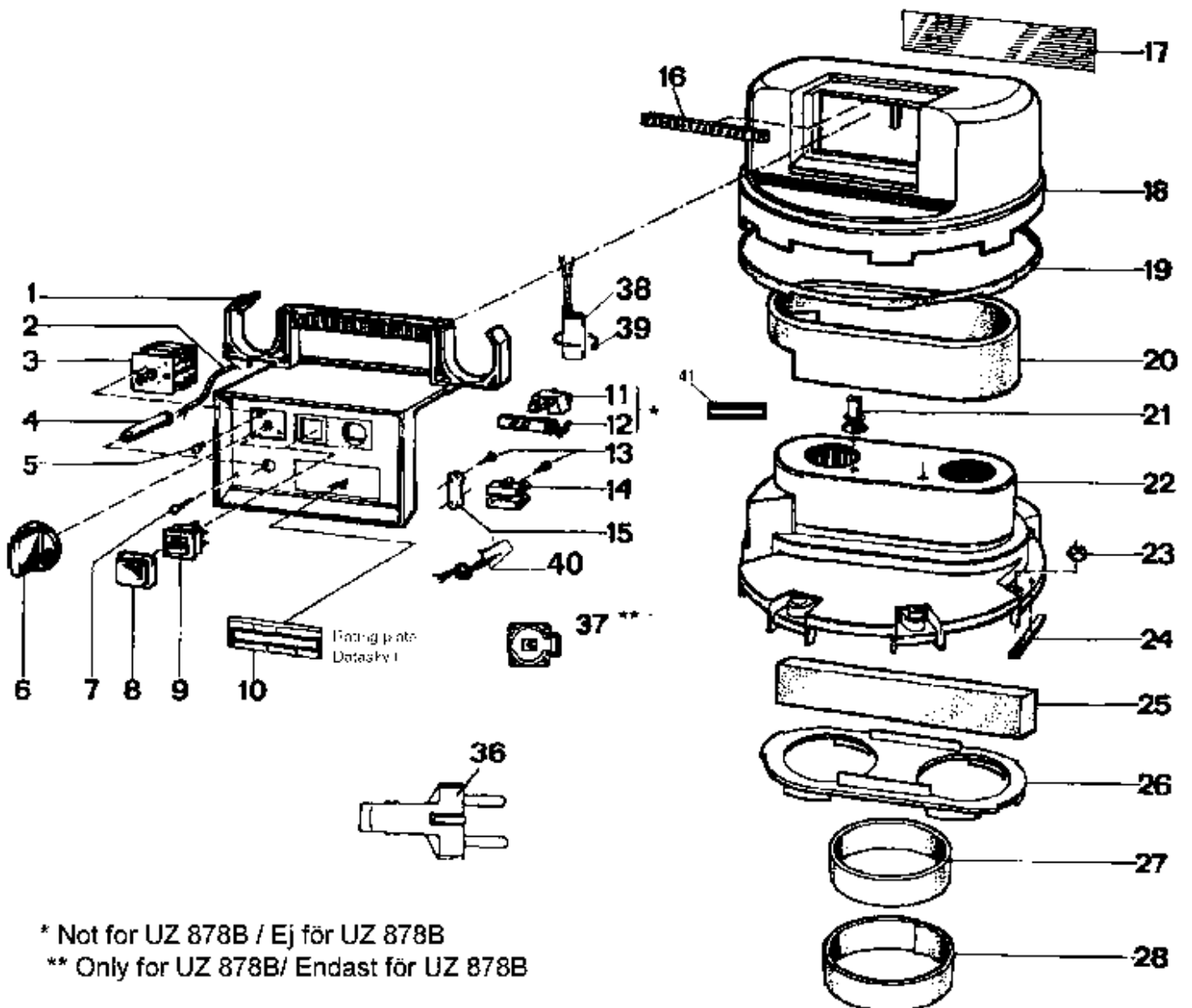
# Panel line drawing UZ 878

UZ 878/878B

11-02-2015

Part List ID B4312

3



\* Not for UZ 878B / Ej för UZ 878B

\*\* Only for UZ 878B/ Endast för UZ 878B

# Panel line drawing UZ 878

UZ 878/878B

11-02-2015

Part List ID

B4312

4

| Pos | Part no.     | Qty | Description                    |                              |
|-----|--------------|-----|--------------------------------|------------------------------|
| 0   | 140 7794 000 | 1   | BOX CPL. UZ878 N-A.            |                              |
| 1   | 140 5428 000 | 1   | PANEL UZ 878 TWIN MOTORS       | B                            |
| 1   | 140 5428 010 | 1   | PANEL 1 MOTOR UZ 876 UZ 877    | A - Machine outphased 2006   |
| 1   | 140 5428 020 | 1   | PANEL UZ 878B 2MOTORS AND PUMP | C                            |
| 1   | 140 5428 030 | 1   | PANEL TWIN FAN UNIT UL-APPROV. | B                            |
| 1   | 140 5428 070 | 1   | PANEL SINGLE FAN UNIT UL-APPR. | Replacement for 140 5428 040 |
| 2   |              | 1   | NOTE COMMENT                   | A+B+C - CORD SET, SEE TABLE  |
| 3   | 140 6273 000 | 1   | SWITCH 10A/500V                | B+C                          |
| 3   | 140 6363 000 | 1   | SWITCH 16A/250V                | B+C                          |
| 4   | 140 0467 010 | 1   | PROTECTION SLEEVE              | A+B+C                        |
| 5   |              | 1   | NOTE COMMENT                   | B+C - SCREW                  |
| 6   | 140 5512 000 | 1   | KNOB                           | B+C                          |
| 7   |              | 1   | NOTE COMMENT                   | A+B+C - SCREW                |
| 8   | 140 5497 000 | 1   | SWITCH PROTECTION              | A+B+C                        |
| 9   | 140 5496 510 | 1   | SWITCH UL KIT                  |                              |
| 10  |              | 1   | NOTE COMMENT                   | RATING PLATE                 |
| 11  | 010 9678 500 | 1   | OUTLET ELECTRICAL 230V         | A+B                          |
| 12  | 010 9678 500 | 1   | OUTLET ELECTRICAL 230V         | A+B                          |
| 13  |              | 1   | NOTE COMMENT                   | A+B+C - SCREW                |
| 14  | 82003700     | 1   | TERMINAL BLOCK                 | A+B+C                        |
| 15  | 056 1014 060 | 1   | ANTI-STRAIN CLIP BLACK         | Machine outphased 2005       |
| 16  | 140 5963 000 | 1   | GASKET                         | A+B+C                        |
| 17  | 140 7778 000 | 1   | LABEL NILFISK HD SERIES        | A+B+C                        |
| 17  | 140 7781 000 | 1   | LABEL EUROCLEAN HD SERIES      | A+B+C                        |
| 18  | 140 5430 020 | 1   | COVER BLUE UL-MATERIAL         | A+B+C                        |
| 18  | 140 5430 070 | 1   | COVER GREY NILFISK             | A+B+C                        |
| 19  | 140 5964 000 | 1   | GASKET                         | A+B+C                        |
| 20  | 140 5511 000 | 1   | SILENCER                       | A+B+C                        |
| 21  | 010 9374 010 | 1   | GROMMET                        | Machine outphased 2003       |
| 22  | 140 5435 000 | 1   | HOOD                           | A                            |
| 22  | 140 5435 010 | 1   | HOOD BLACK                     | B+C                          |
| 23  |              | 1   | NOTE COMMENT                   | A+B+C - NUT M5               |
| 24  | 140 5965 000 | 1   | GASKET                         | A+B+C                        |
| 25  | 140 6102 000 | 1   | SILENCER                       | B+C                          |
| 26  | 140 5433 000 | 1   | PLATE                          | B+C                          |
| 26  | 140 5434 000 | 1   | PLATE 1-MOTOR VER.             | A                            |
| 27  | 140 5966 000 | 1   | SILENCER                       | A                            |
| 28  | 140 5966 010 | 1   | SILENCER                       | A                            |
| 37  | 140 7552 000 | 1   | OUTLET                         | C                            |
| 39  | 465 0225 010 | 1   | CABLE STRAP                    | A+B+C                        |
| 40  | 141 6378 000 | 1   | WIRE NUT UL-APPROVED           | A+B+C                        |

# USA panel line drawing UZ 878

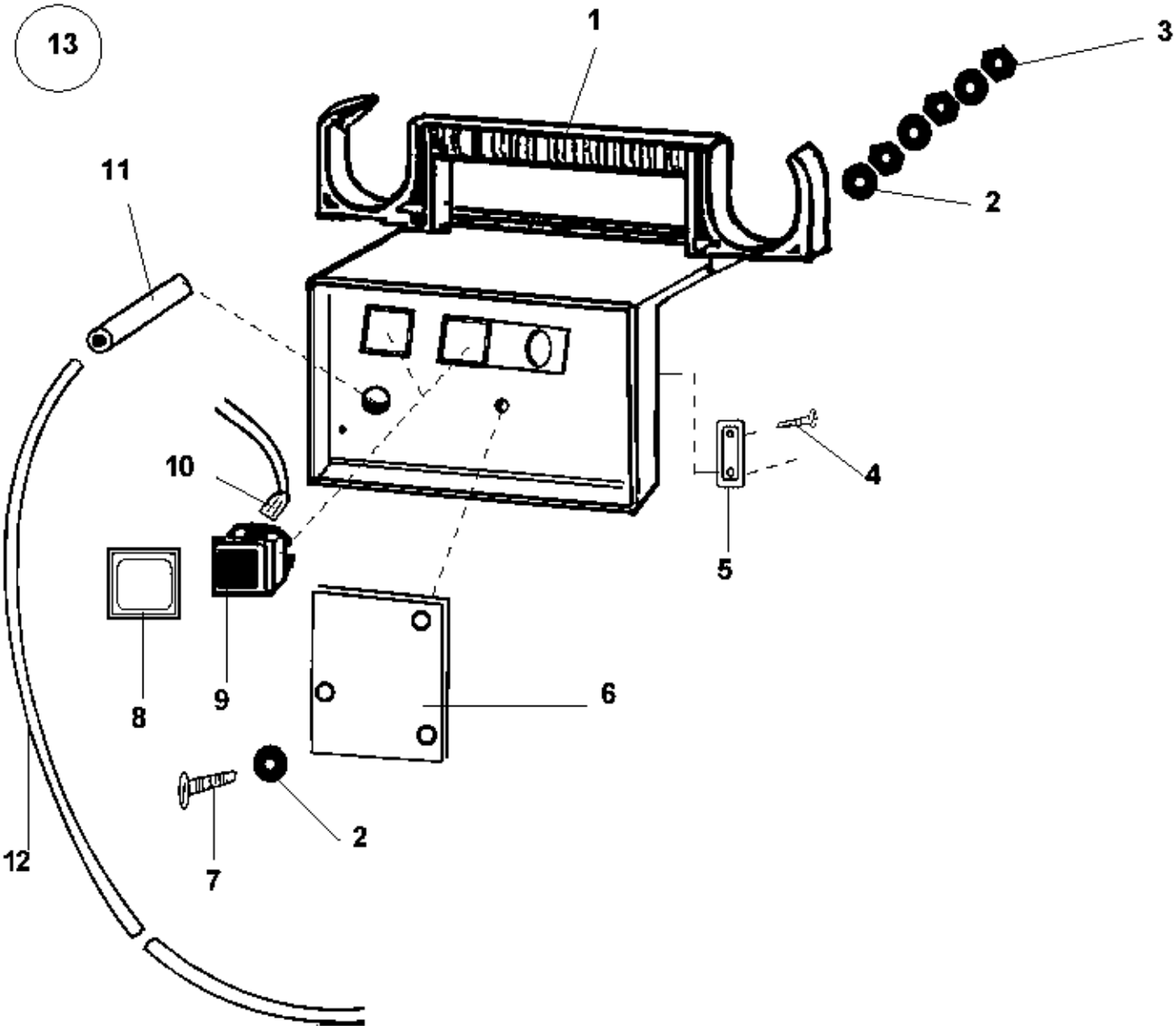
UZ 878/878B

11-02-2015

Part List ID

B4314

5



# USA panel line drawing UZ 878

UZ 878/878B

11-02-2015

Part List ID

B4314

6

| Pos | Part no.     | Qty | Description  |
|-----|--------------|-----|--|
| 1   | 140 5428 070 | 1   | PANEL SINGLE FAN UNIT UL-APPR. <span style="float: right;">Replacement for 140 5428 040</span> |
| 2   | 735 2136 800 | 4   | TOOTH PLATE CONNECTOR  |
| 3   | 731 2312 010 | 3   | NUT. M6M 4 ZAP.  |
| 5   | 056 1014 060 | 1   | ANTI-STRAIN CLIP BLACK   |
| 7   | 724 1295 130 | 1   | SCREW ISO 7045 M4X20   |
| 8   | 140 5497 000 | 2   | SWITCH PROTECTION  |
| 9   | 140 5496 510 | 2   | SWITCH UL KIT  |
| 10  | 140 1101 100 | 4   | CABLE  |
| 11  | 140 0467 010 | 1   | PROTECTION SLEEVE  |
| 12  | 140 7559 000 | 1   | CORD SET 15.5M   |

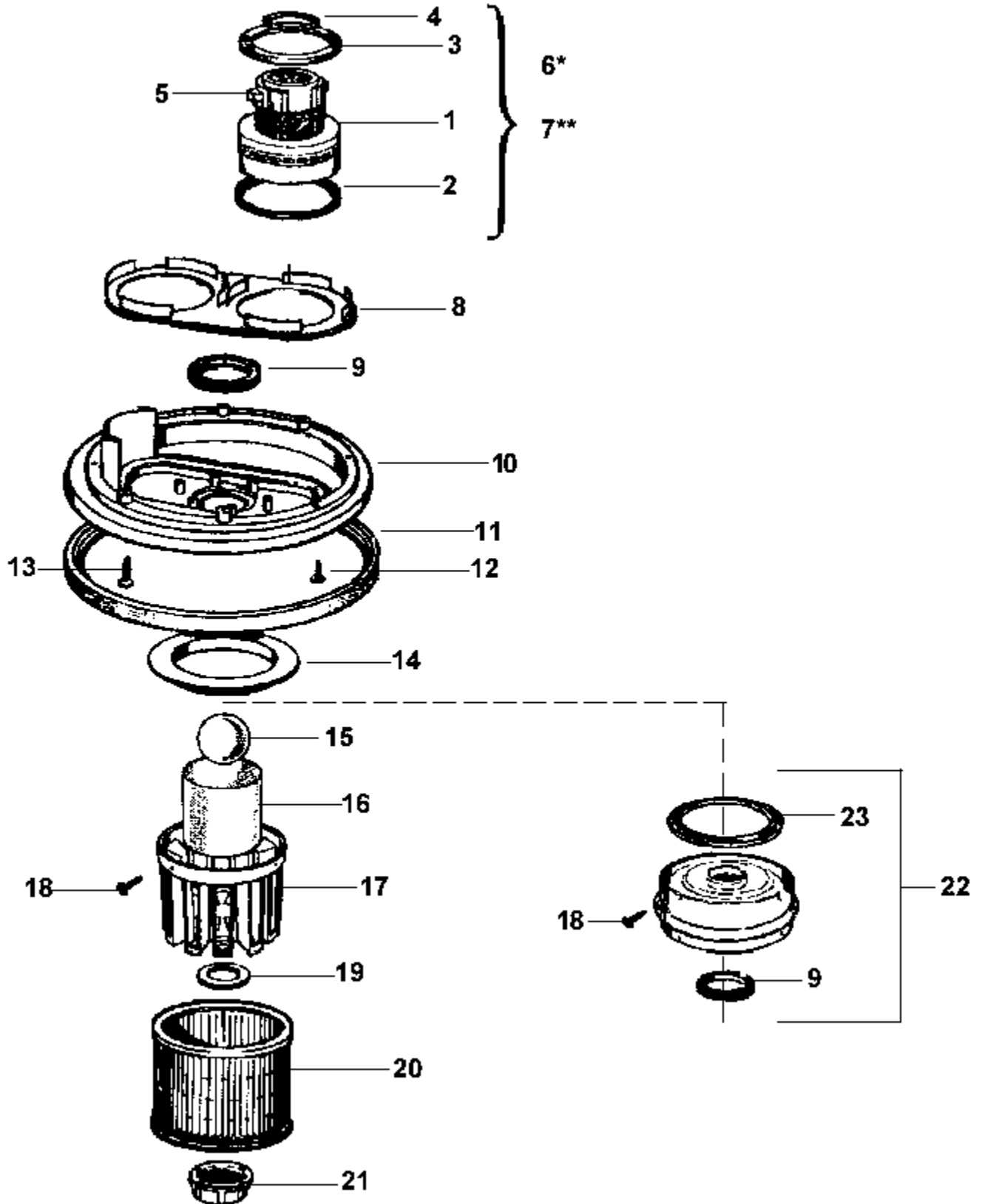
# Fan unit and sealing rings UZ 878

UZ 878/878B

11-02-2015

Part List ID B4316

7



# Fan unit and sealing rings UZ 878

UZ 878/878B

11-02-2015

Part List ID B4316

8

| Pos | Part no.     | Qty | Description                   |                            |
|-----|--------------|-----|-------------------------------|----------------------------|
| 1   |              | 1   | NOTE COMMENT                  | FAN UNIT, SEE TABLE        |
| 2   |              | 1   | NOTE COMMENT                  | SUSPENSION RING, SEE TABLE |
| 3   |              | 1   | NOTE COMMENT                  | SEALING RING, SEE TABLE    |
| 4   |              | 1   | NOTE COMMENT                  | SEALING RING, SEE TABLE    |
| 5   |              | 1   | NOTE COMMENT                  | CARBON BRUSH, SEE TABLE    |
| 6   | 140 7173 000 | 1   | FAN UNIT KIT 220-240V 50/60HZ | *                          |
| 7   | 140 7185 000 | 1   | FAN UNIT KIT 120V 50/60HZ     | **                         |
| 8   | 140 5433 000 | 1   | PLATE                         |                            |
| 8   | 140 5434 000 | 1   | PLATE 1-MOTOR VER.            |                            |
| 9   | 140 4675 000 | 1   | SEALING RING                  |                            |
| 10  | 140 5432 000 | 1   | MOTOR STAND BLACK             |                            |
| 11  | 140 5543 000 | 1   | BUMPER                        |                            |
| 12  | 724 1328 400 | 1   | SCREW MRX 5X14 STAINLESS      |                            |
| 13  | 140 4404 060 | 1   | SCREW PT D5X40                |                            |
| 14  | 140 4667 000 | 1   | CLAMP RING                    |                            |
| 15  | 140 4658 000 | 1   | BALL                          |                            |
| 16  | 140 4668 000 | 1   | WET FILTER                    |                            |
| 17  | 140 4657 010 | 1   | FLOAT BASKET                  |                            |
| 18  | 729 5281 400 | 1   | SCREW RXS B6X13 STAINLESS     |                            |
| 19  | 140 6604 000 | 1   | GASKET                        |                            |
| 20  | 140 6606 000 | 1   | FOLDED PAPER FILTER           |                            |
| 21  | 140 6603 000 | 1   | CAP                           |                            |
| 22  | 140 6661 010 | 1   | HEPA FILTER                   |                            |
| 23  | 140 6606 000 | 1   | FOLDED PAPER FILTER           |                            |

**Note:**

\* 140 7173 000 Spare part kit for 220-240V machines with serial No. lower than (9)51100001

\*\* 140 7185 000 Spare part kit for 110-120V machines with serial No. lower than (9)5470001

For position number 1 to 5, see the next drawing - at next page.



# Table, fan unit and cord

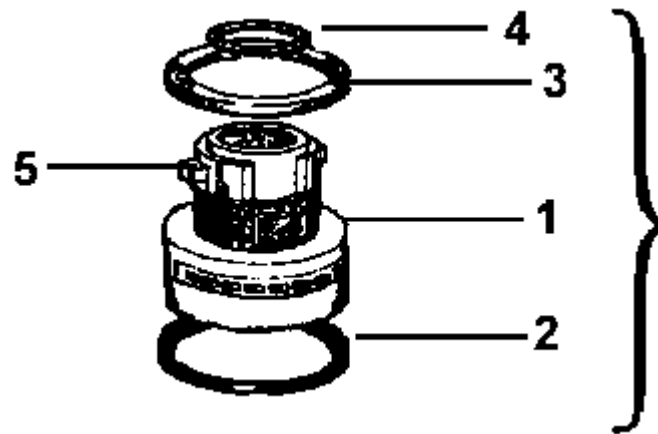
UZ 878/878B

11-02-2015

Part List ID

B4318

9



# Table, fan unit and cord

UZ 878/878B

11-02-2015

Part List ID

B4318

10

| Pos | Part no.     | Qty | Description                   |         |
|-----|--------------|-----|-------------------------------|---------|
| 1   | 140 7154 500 | 1   | FAN UNIT KIT 230V 1000W       |         |
| 1   | 140 7154 510 | 1   | FAN UNIT KIT 100V             |         |
| 2   | 140 6644 000 | 1   | SUSPENSION RING               |         |
| 3   | 140 7159 000 | 1   | MOTORSEALING                  |         |
| 4   | 140 6749 000 | 1   | SUSPENSION RING               |         |
| 5   | 140 7169 000 | 1   | CARBON BRUSH F. 140 7154 000  |         |
| 5   | 140 7169 010 | 1   | CARBON BRUSH FOR 140 7154 010 |         |
| 6   | 093 1054 020 | 1   | CORD SET 15.5M EU PLUG        | UZ 868E |
| 6   | 12222503     | 1   | CORD SET UK L 10M             | UZ 868E |
| 6   | 140 6777 500 | 1   | CORD SET UK 10M               | UZ 878B |
| 6   | 140 7559 000 | 1   | CORD SET 15.5M                | UZ 878B |
| 6   | 140 8262 010 | 1   | CORD SET 10.5 M AU PLUG       | UZ 878B |

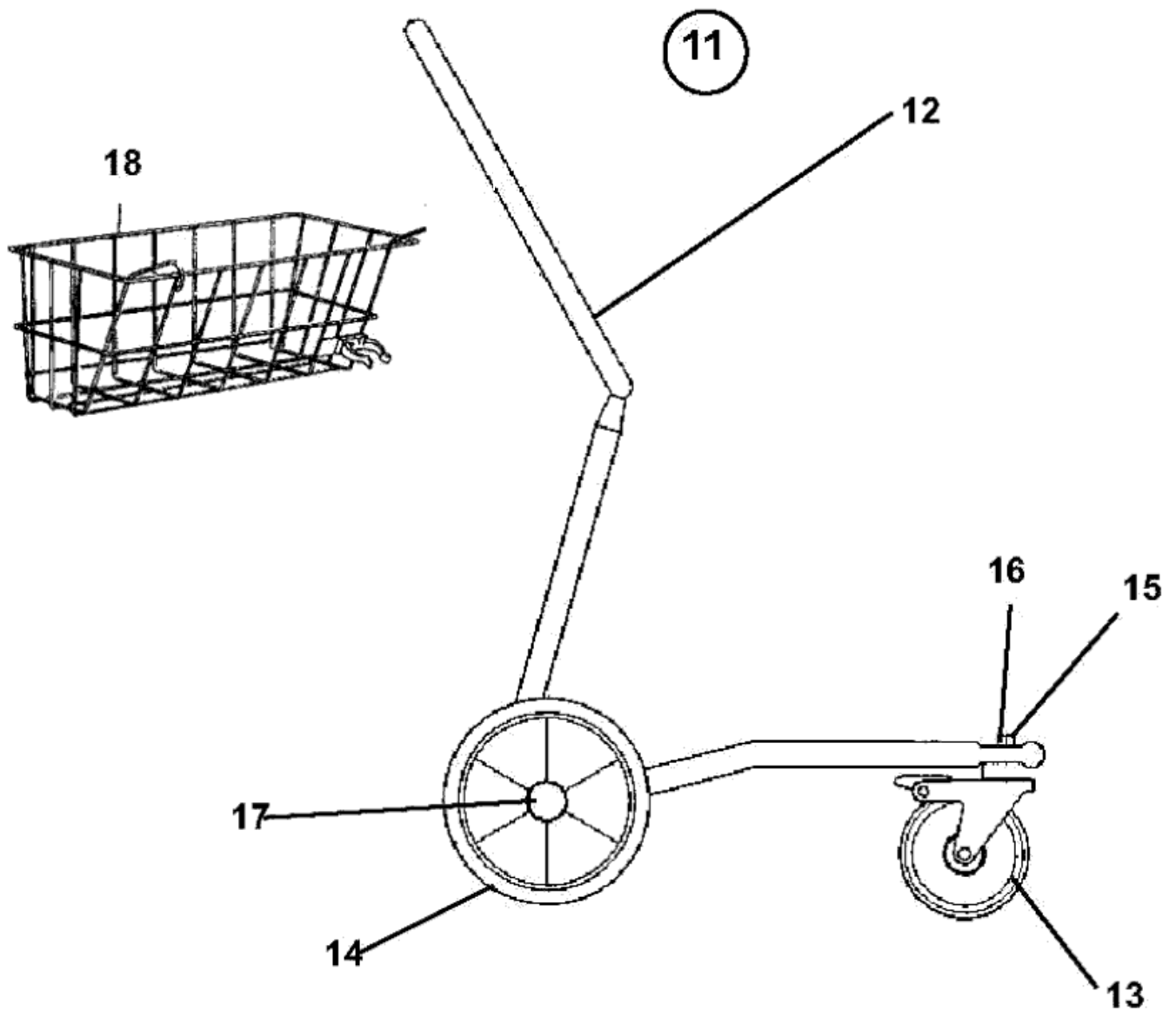
# Cart and frame UZ 878

UZ 878/878B

11-02-2015

Part List ID  
B43110

11



# Cart and frame UZ 878

UZ 878/878B

11-02-2015

Part List ID  
B43110

12

| Pos | Part no.     | Qty | Description             |
|-----|--------------|-----|-------------------------|
| 11  | 140 7661 000 | 1   | CART CPL.               |
| 12  | 140 7660 000 | 1   | CARRIAGE STAND CPL.     |
| 13  | 140 4664 510 | 1   | CASTER WHEEL KIT        |
| 14  | 140 8156 000 | 1   | WHEEL 200MM             |
| 15  | 725 5500 010 | 1   | SCREW MC6S M10X45 Z.PL. |
| 16  | 732 2120 010 | 1   | NUT M10 Z.PL.           |
| 17  | 140 8173 000 | 1   | LOCKING CAP             |
| 18  | 140 4681 510 | 1   | ACCESSORY BASKET        |

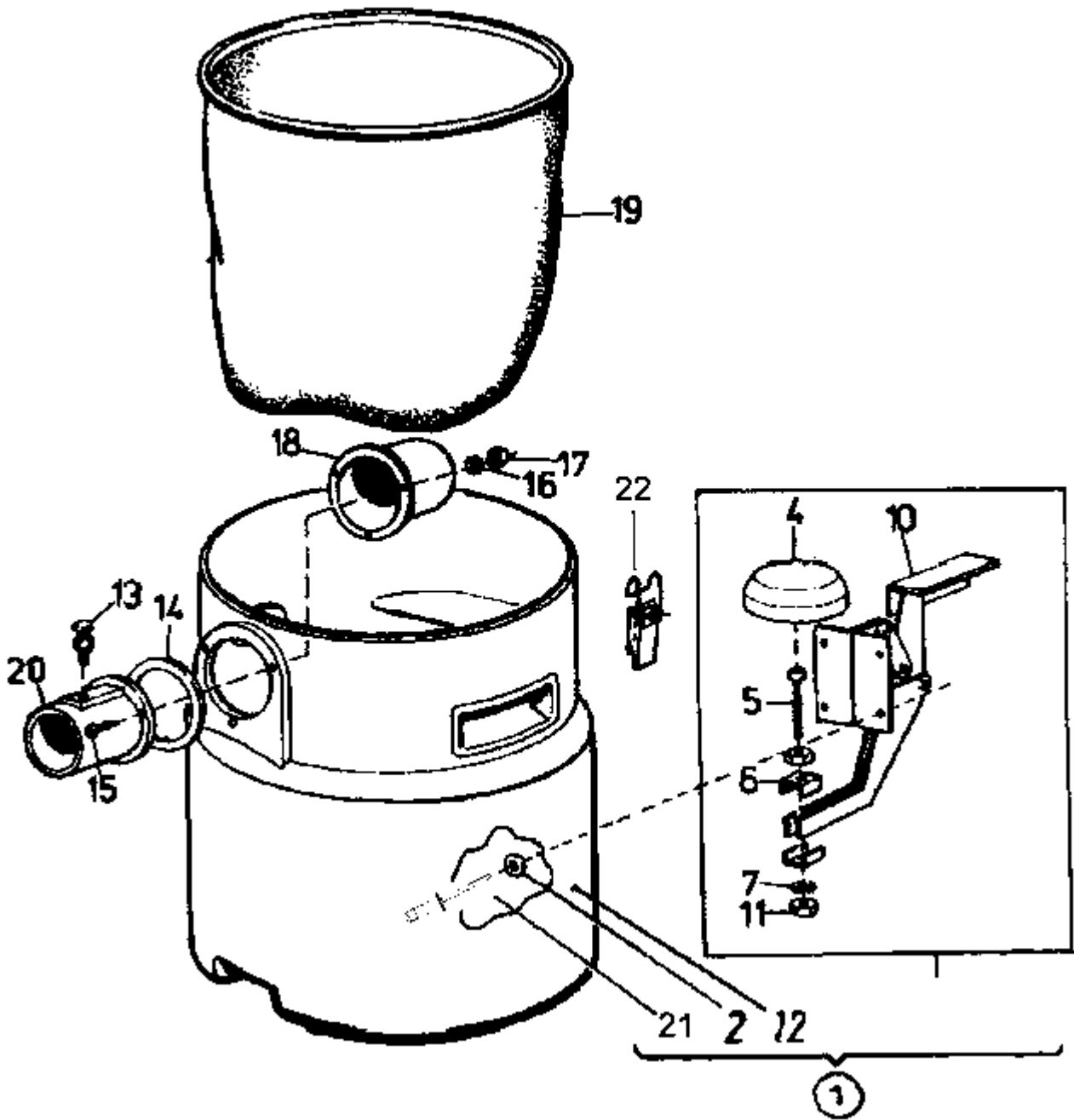
# Tank UZ 878

UZ 878/878B

11-02-2015

Part List ID  
B43112

13



# Tank UZ 878

UZ 878/878B

11-02-2015

Part List ID  
B43112

14

| Pos | Part no.     | Qty | Description                   |                        |
|-----|--------------|-----|-------------------------------|------------------------|
| 1   | 140 4676 030 | 1   | TANK WHITE 60L CPL            |                        |
| 1   | 140 5474 010 | 1   | TANK CPL. WITH PUMP           | Machine outphased 2003 |
| 3   | 724 1329 400 | 1   | SCREW MRX M5X16 STAINLESS     | *                      |
| 4   | 140 0411 000 | 1   | DRAIN VALVE                   | *                      |
| 5   | 724 1376 010 | 1   | SCREW MCS M6X35 Z.PL.         | *                      |
| 6   | 014 9748 050 | 1   | NUT CLIP                      | Machine outphased 2003 |
| 7   | 735 2153 010 | 1   | LOCK WASHER DIA 6.4X11 Z.PL.  | *                      |
| 8   | 731 2314 400 | 1   | NUT M6M5 STAINLESS            | *                      |
| 9   | 735 2146 800 | 1   | LOCKWASHER DIA 5.3X10 TIN/BR. | *                      |
| 10  | 140 0190 010 | 1   | LEVER                         | *                      |
| 11  | 731 4316 010 | 1   | NUT M6 Z.PL.                  | *                      |
| 12  | 140 4508 030 | 1   | TANK WHITE                    |                        |
| 13  | 140 3368 000 | 1   | CATCH                         |                        |
| 14  | 140 3382 000 | 1   | SEALING RING                  |                        |
| 16  |              | 1   | NOTE COMMENT                  | Lock washer 4,3 Z.PI   |
| 17  | 731 2312 010 | 1   | NUT. M6M 4 ZAP.               |                        |
| 18  | 140 4209 000 | 1   | INLET                         |                        |
| 19  | 140 4577 010 | 1   | CLOTH FILTER 1-LAYER          |                        |
| 20  | 140 3303 000 | 1   | HOSE COUPLING                 |                        |
| 21  | 140 5694 010 | 1   | RIVET                         |                        |
| 22  | 140 8119 500 | 1   | LATCH 2 PCS SPARE PART KIT    |                        |

Note:

\*= Not for UZ 878B

Part number 731 2314 400, 735 2146 800, 724 1329 400

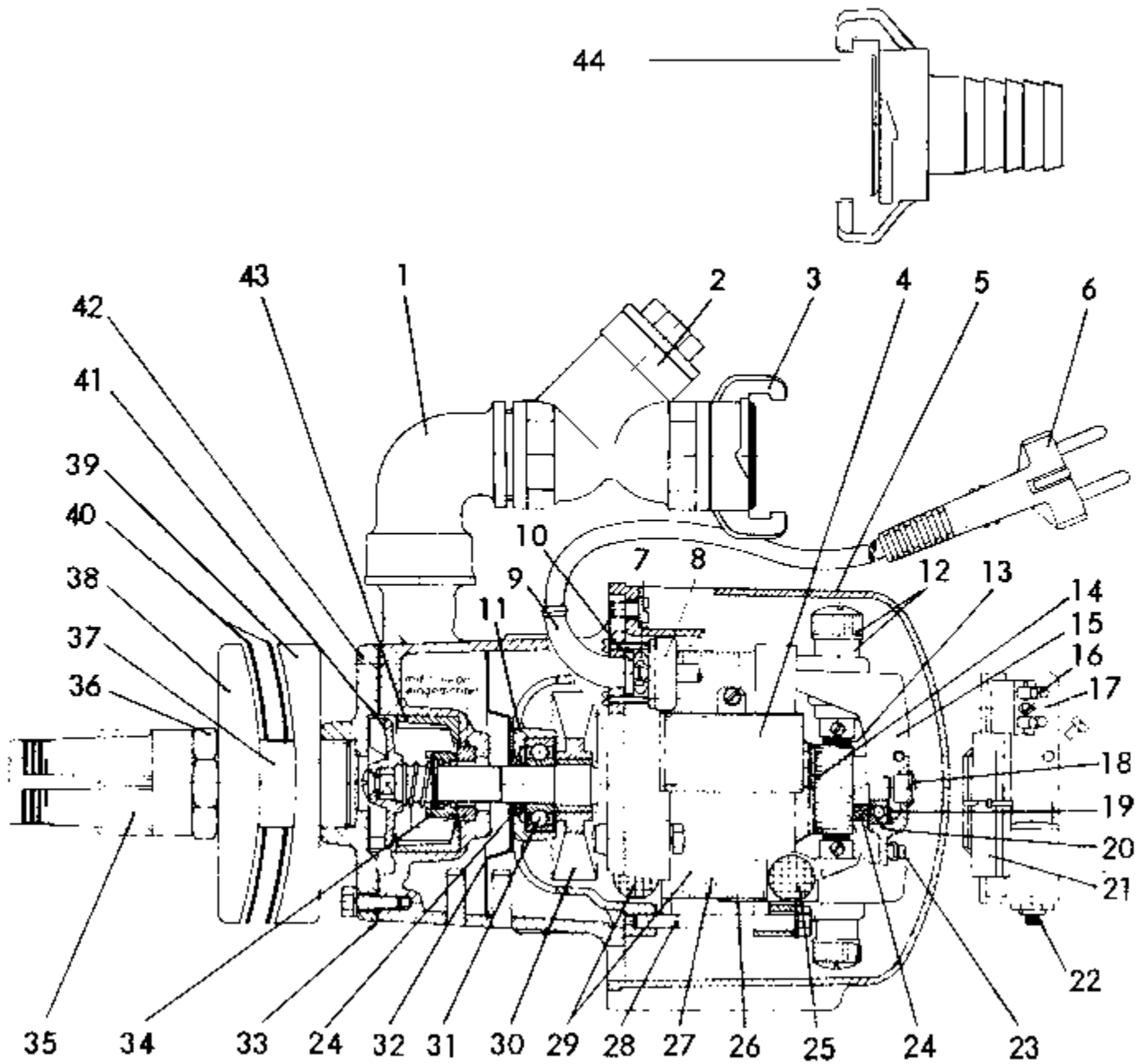
# Draining pump UZ 878B

UZ 878/878B

11-02-2015

Part List ID  
B43114

15



# Draining pump UZ 878B

UZ 878/878B

11-02-2015

Part List ID  
B43114

16

| Pos | Part no.     | Qty | Description             |                               |
|-----|--------------|-----|-------------------------|-------------------------------|
| 0   | 140 5473 000 | 1   | PUMP CPL.               |                               |
| 0   | 140 5474 010 | 1   | TANK CPL. WITH PUMP     | Machine outphased 2003        |
| 2   | 095 2008 000 | 1   | NON RETURN VALVE 1      |                               |
| 6   | 095 2012 000 | 1   | CABLE WITH PLUG 2M      | Machine outphased 2003        |
| 12  | 095 2018 000 | 1   | CARBON BRUSH HOLDER CPL | Machine outphased 2003        |
| 13  | 095 2019 000 | 1   | CARBON BRUSH            |                               |
| 15  | 095 2021 000 | 1   | UPPER BEARING SHIELD    |                               |
| 33  | 095 2040 000 | 1   | GASKET                  | Machine outphased 2003        |
| 34  | 140 5473 000 | 1   | PUMP CPL.               |                               |
| 35  | 095 2042 000 | 1   | STRAINER                | Machine outphased 2003        |
| 38  | 095 2045 000 | 1   | OUTER FLANGE            | Machine outphased 2003        |
| 39  | 095 2046 000 | 1   | INNER FLANGE            | Machine outphased 2003        |
| 40  | 095 2047 000 | 1   | RUBBER GASKET           | Since 2003, use glue in stead |
| 41  | 095 2048 000 | 1   | PUMP IMPELLER           | Machine outphased 2003        |
| 44  | 140 5505 000 | 1   | COUPLING                |                               |



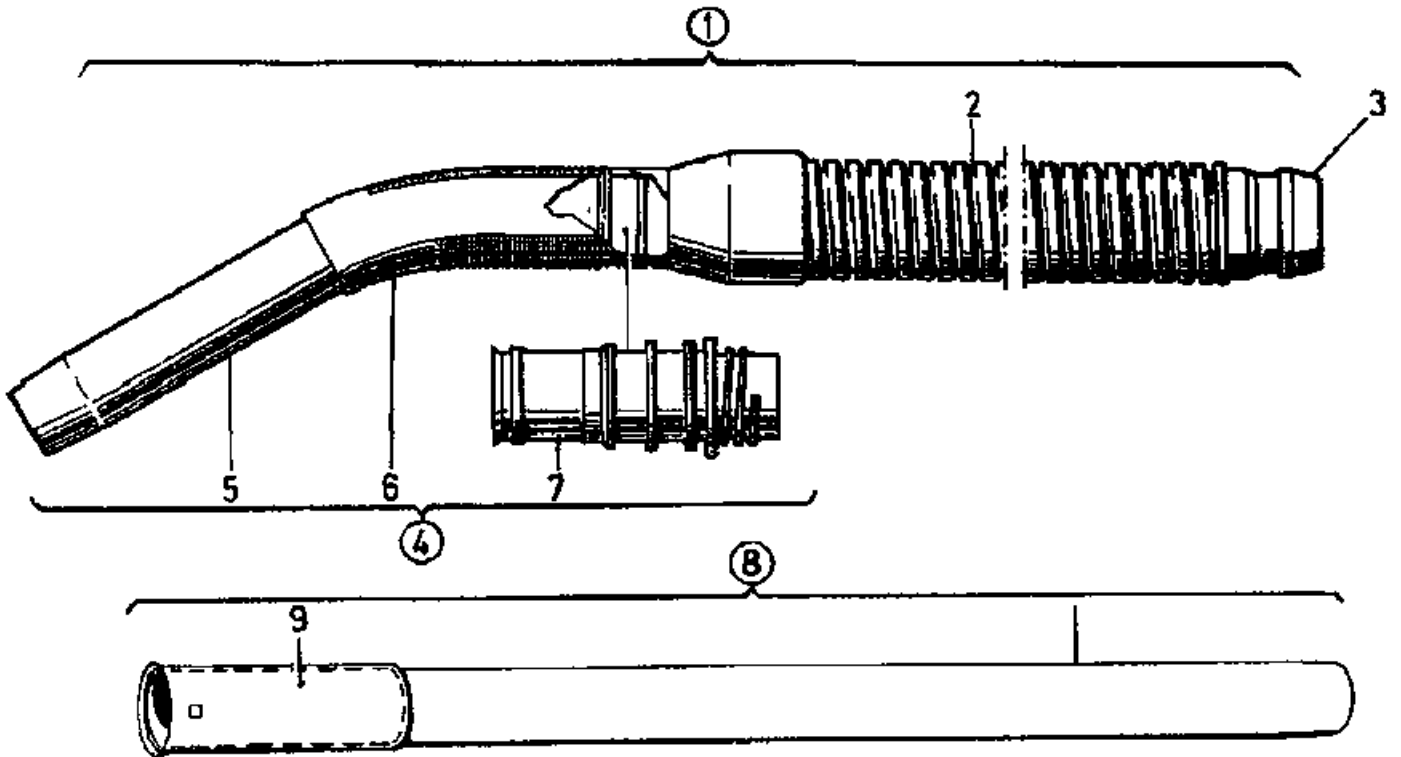
# Hose and tube part numbers UZ 878

UZ 878/878B

11-02-2015

Part List ID  
B43116

17



# Hose and tube part numbers UZ 878

UZ 878/878B

11-02-2015

Part List ID

B43116

18

| Pos | Part no.     | Qty | Description                              |
|-----|--------------|-----|--|
| 1   | 140 4001 010 | 1   | HOSE CPL.PLASTIC AND                     |
| 2   | 140 2148 030 | 1   | HOSE BY THE METRE                        |
| 3   | 140 3304 030 | 1   | INLET SLEEVE D38                         |
| 4   | 140 5132 000 | 1   | BENT END PIECE CPL.                      |
| 5   | 010 8907 010 | 1   | BENT END PIECE<br>Machine outphased 2003 |
| 6   | 140 3126 000 | 1   | HANDLE                                   |
| 7   | 140 4004 000 | 1   | SLEEVE                                   |
| 8   | 011 6451 010 | 2   | EXTENSION TUBE<br>Machine outphased 2003 |

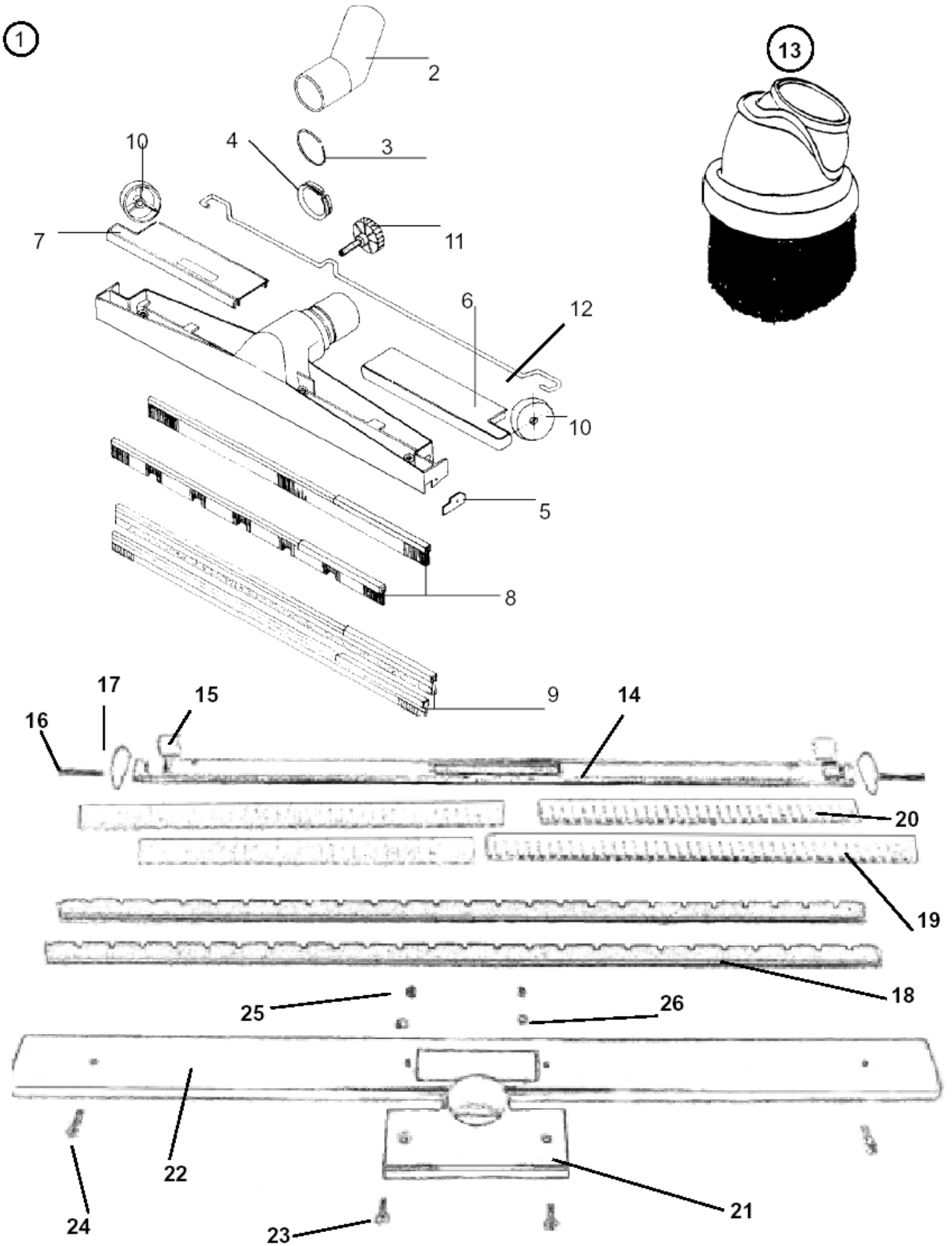
# Nozzles, UZ 878

UZ 878/878B

11-02-2015

Part List ID  
B43119

19



# Nozzles, UZ 878

UZ 878/878B

11-02-2015

Part List ID  
B43119

20

| Pos | Part no.     | Qty | Description               |                        |
|-----|--------------|-----|---------------------------|------------------------|
| 0   | 010 8738 020 | 1   | CREVICE NOZZLE PLASTIC    |                        |
| 0   | 011 6451 010 | 1   | EXTENSION TUBE            |                        |
| 1   | 140 3817 000 | 1   | NOZZLE BRUSH              |                        |
| 1   | 140 4054 000 | 1   | NOZZLE WET PICK-UP        |                        |
| 5   | 093 1678 000 | 1   | CLIP                      |                        |
| 8   | 15351        | 1   | BRUSH STRIP SET - 2 PCS   | Machine outphased 2003 |
| 9   | 15352        | 1   | Rubber Strip Set          | Machine outphased 2003 |
| 13  | 010 7031 000 | 1   | ADJUSTABLE DUSTING BRUSH  | Machine outphased 2003 |
| 14  | 140 0020 010 | 1   | LOWER PART NOZZLE         |                        |
| 15  | 140 0021 000 | 1   | WHEEL                     |                        |
| 16  | 140 0023 000 | 1   | SCREW D5X40               |                        |
| 17  | 140 0055 000 | 1   | SIDE COVER                |                        |
| 18  | 140 0056 020 | 1   | BRUSH STRIP 693 MM        |                        |
| 19  | 140 0148 000 | 1   | RUBBER STRIP 394 MM       |                        |
| 20  | 140 0148 010 | 1   | RUBBER STRIP 300 MM       |                        |
| 21  | 140 0092 010 | 1   | HOSE INLET 38 MM          |                        |
| 22  | 140 0382 040 | 1   | UPPER PART                |                        |
| 23  | 724 1329 400 | 1   | SCREW MRX M5X16 STAINLESS |                        |
| 24  | 724 1332 400 | 1   | SCREW 5X22                |                        |
| 25  | 731 2314 400 | 1   | NUT M6M5 STAINLESS        |                        |
| 26  | 735 2146 720 | 1   | LOCKING WASHER 5.3 RF     |                        |