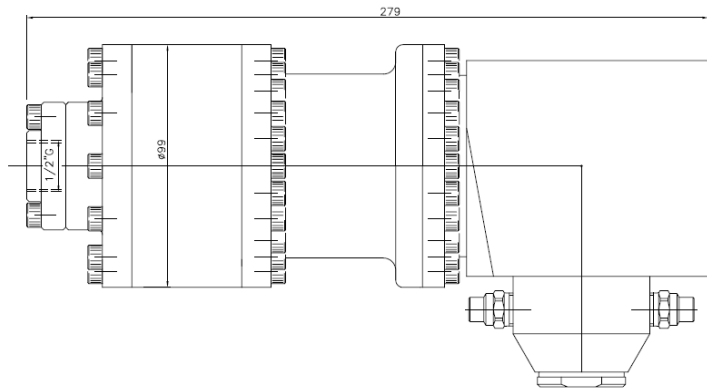
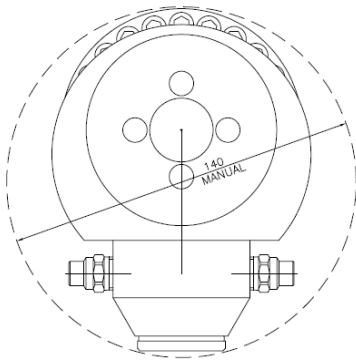


Impact Systems TWK 500-60



		DIFFUSER POSITION			
		1	2	3	4
FLOW L/MIN	15	13	6		
	30		15	7	
	45			12	7
	60			16	10
		SPINNING SPEED		RPM	

TECHNICAL DATA	
temperature max	90°C
pressure max	500 bar
flow	15-60 l/min
washing cycle time	4.8 min
min. pass-through hole dia.	140 mm (manual)
water inlet	1/2" G
inlet filter	700 micron
material	INOX
seals	NBR
nozzle size	1/4" NPT
nozzles positions	2 - 4
weight	9.5 Kg