

# BR 652 - 752 - 752C

---

Model:  
BR 652  
BR 752  
BR 752C



Stückliste Deutsch

12-03-2015

# Inhalt

BR 652 - 752 - 752C

<b>Ansicht allgemein</b>	<b>3</b>
<b>Frischwassertank</b>	<b>5</b>
<b>SCHMUTZWASSERTANK</b>	<b>7</b>
<b>COLUMN SYSTEM</b>	<b>9</b>
<b>STEERING ASSY</b>	<b>11</b>
<b>STEERING WHEEL SUPP ASSY</b>	<b>13</b>
<b>DRIVE WHEEL ASSY</b>	<b>15</b>
<b>Chassis-System</b>	<b>17</b>
<b>FRISCHWASSERSYSTEM</b>	<b>19</b>
<b>SQUEEGEE RAISING ASSY</b>	<b>21</b>
<b>SQUEEGEE SYSTEMS</b>	<b>23</b>
<b>DISC BRUSH DECK SUPP. ASSY</b>	<b>25</b>
<b>DISC BRUSH DECKS SYSTEMS</b>	<b>27</b>
<b>CYL. BRUSH DECK SUPP. ASSY</b>	<b>29</b>
<b>CYL. BRUSHES DECK 1</b>	<b>31</b>
<b>CYL. BRUSHES DECK 2</b>	<b>33</b>
<b>Elektrokomponenten</b>	<b>35</b>
<b>Batterieladegerät</b>	<b>37</b>
<b>ECOFLEX</b>	<b>39</b>
<b>MOP AND TRASH KIT - BASKET KIT</b>	<b>41</b>
<b>FLASHING BEACON KIT - NOISE REDUCTION KIT</b>	<b>43</b>
<b>Zubehör</b>	<b>45</b>
<b>VERDRAHTUNGSPLAN</b>	<b>47</b>
<b>EMPFOHLENE ERSATZTEILE</b>	<b>49</b>

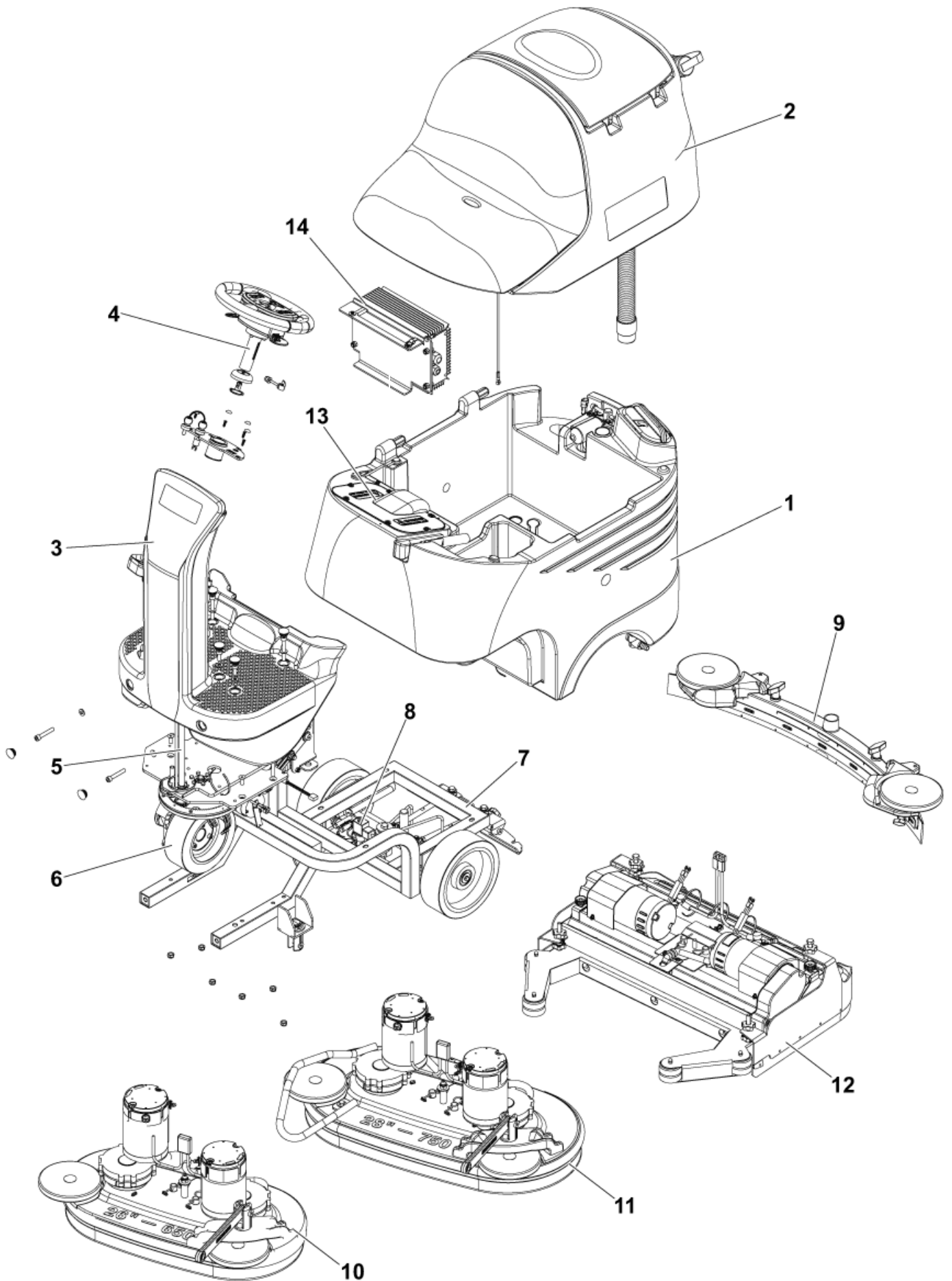
# Ansicht allgemein

BR 652 - 752 - 752C

12-03-2015

ET-Liste-Nr.  
BR652000

3



# Ansicht allgemein

BR 652 - 752 - 752C

12-03-2015

ET-Liste-Nr.  
BR652000

4

Pos	Artikelnr.	Me	Beschreibung
1		1	USE LINK Solution tank
2		1	USE LINK Recovery tank
3		1	USE LINK Column system
4		1	USE LINK Steering assy
5		1	USE LINK Steering wheel support assembly
6		1	USE LINK Drive wheel assembly
7		1	USE LINK Chassis system
8		1	USE LINK Solution system
9		1	USE LINK Squeegee systems
10		1	USE LINK Brushes deck system 650
11		1	USE LINK Brushes deck system 750
12		1	USE LINK Cyl. Brushes system
13		1	USE LINK Electrical components
14		1	USE LINK Battery charger

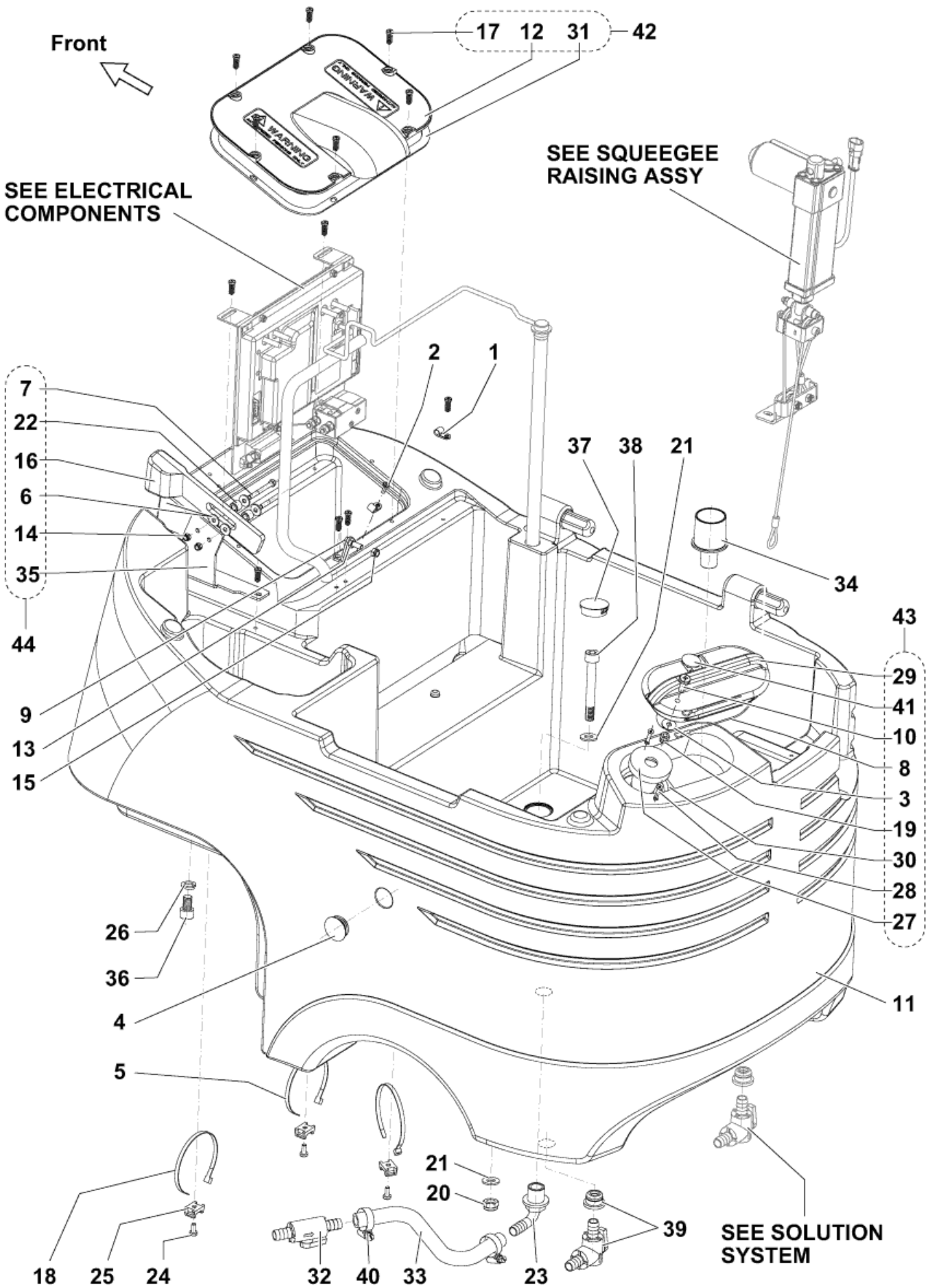
# Frischwassertank

BR 652 - 752 - 752C

12-03-2015

ET-Liste-Nr.  
BR652006

5



# Frischwassertank

BR 652 - 752 - 752C

12-03-2015

ET-Liste-Nr.  
BR652006

6

Pos	Artikelnr.	Me	Beschreibung	
4	L08812457	2	CAP,TANK LOCKING	
11	9097797000	1	Tank	
23	909 6087 000	3	Verbindung	
27	9100000703	1	HOSE FILLING PKD	
32	9098173000	1	VALVE 1/2-1/2	
33	9098175000	1	HOSE PVC W/SPIRAL D12X18 L.270MM PKD	
34	9098224000	1	Adapter Frischwassertank	
39	9097626000	1	VALVE ELBOW KIT	
42	9098707000	1	COVER ELECTRONIC CARD KIT	Item 17-12-31
43	9098709000	1	Kappe Frischwassertank	Item 29-41-10-8-3-30-19-28-27
44	9098710000	1	LEVER BATTERY DEACTIVATION KIT	Item 35-14-6-16-22-7
45	9098711000	1	HARDWARE SOLUTION TANK KIT	Item 1-2-24-25-18-5-15-13-9-17-26-36-37-38-21-20-4

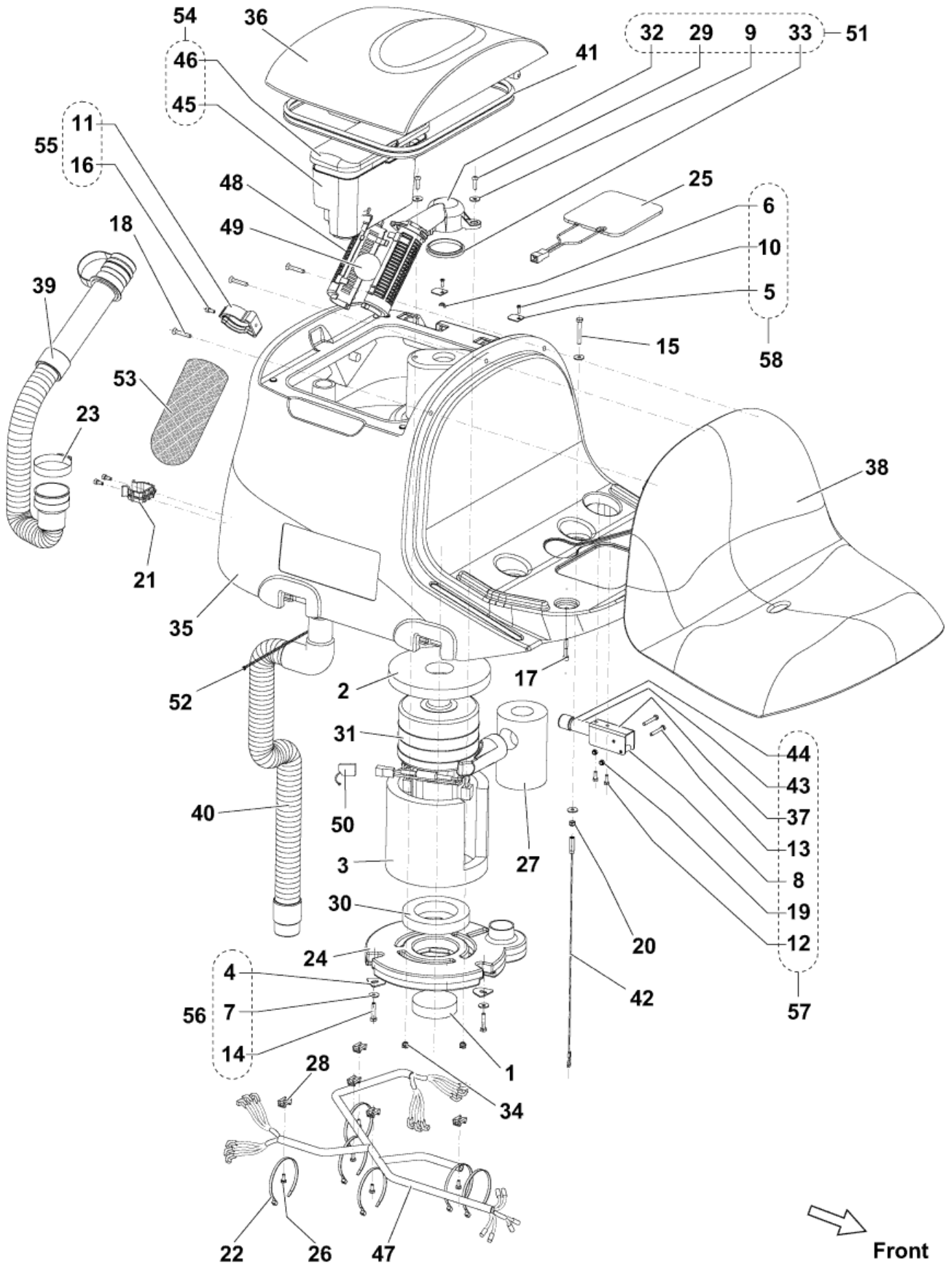
# SCHMUTZWASSERTANK

BR 652 - 752 - 752C

12-03-2015

ET-Liste-Nr.  
BR652010

7



# SCHMUTZWASSERTANK

BR 652 - 752 - 752C

12-03-2015

ET-Liste-Nr.  
BR652010

8

Pos	Artikelnr.	Me	Beschreibung	
1	909 6672 000	1	FILTER	
2	909 6489 000	1	GASKET VACUUM MOTOR	
3	909 6491 000	1	PANEL,ACOUSTIC INSULATION	
21	56407361	1	Plastikklammer zu BR 850	
23	146 0771 000	1	CLAMP	
24	909 6051 000	1	Abdeckhaube f. Motor	
25	909 6242 000	1	Mikroschalter	
27	909 6442 000	1	PIPE,ACOUSTIC INSULATION	
30	9097555000	1	Dichtung	
31	9098455000	1	MOTOR VACUUM 3 STAGE 670W 24V KIT	Optional - Inst.Instr. 9098456000
31	9099929000	1	Saugturbine 3ST 24V 420W	
35	9097801000	1	TANK RECOVERY RAL 7001	
36	9097802000	1	Tankdeckel	
38	9097858000	1	Sitz	
39	9097935000	1	Ablassschlauch	
40	9098169000	1	HOSE SUCTION	
41	9098172000	1	Dichtung Deckel	
42	9098177000	1	Halteseil	
47	9098235000	1	pARNES RECOVERY TANK	
48	L08812259	2	CAGE,FLOAT CP	
49	L08812373	1	BALL FLOATING	
50	9098716000	1	BRUSH CARBON KIT 2PCS	
51	9097681000	1	Schwimmerkorb-Kit	Item 32-29-9-33
52	L08066000	1	TIE CABLE QUICK FASTENING L.320	
53	909 5065 000	1	FILTER ANTIFOAMING	Optional
54	9098712000	1	Grobschmutzkorb Kit	Item 45-46
55	909 6380 000	1	Befestigungskit	Item 11-16
56	909 6877 000	1	Motor Befestigungskit	Item 4-7-14
57	9098713000	1	BRACKET SAFETY KIT	Item 44-43-37-13-8-19-12
58	9098714000	1	FIXING TANK KIT	Item 6-10-5
59	9098715000	1	HARDWARE RECOVERY TANK KIT	Item 15-17-20-34-26-22-28-18-7
60	9099210000	1	Klebefolie	NOT SHOWN



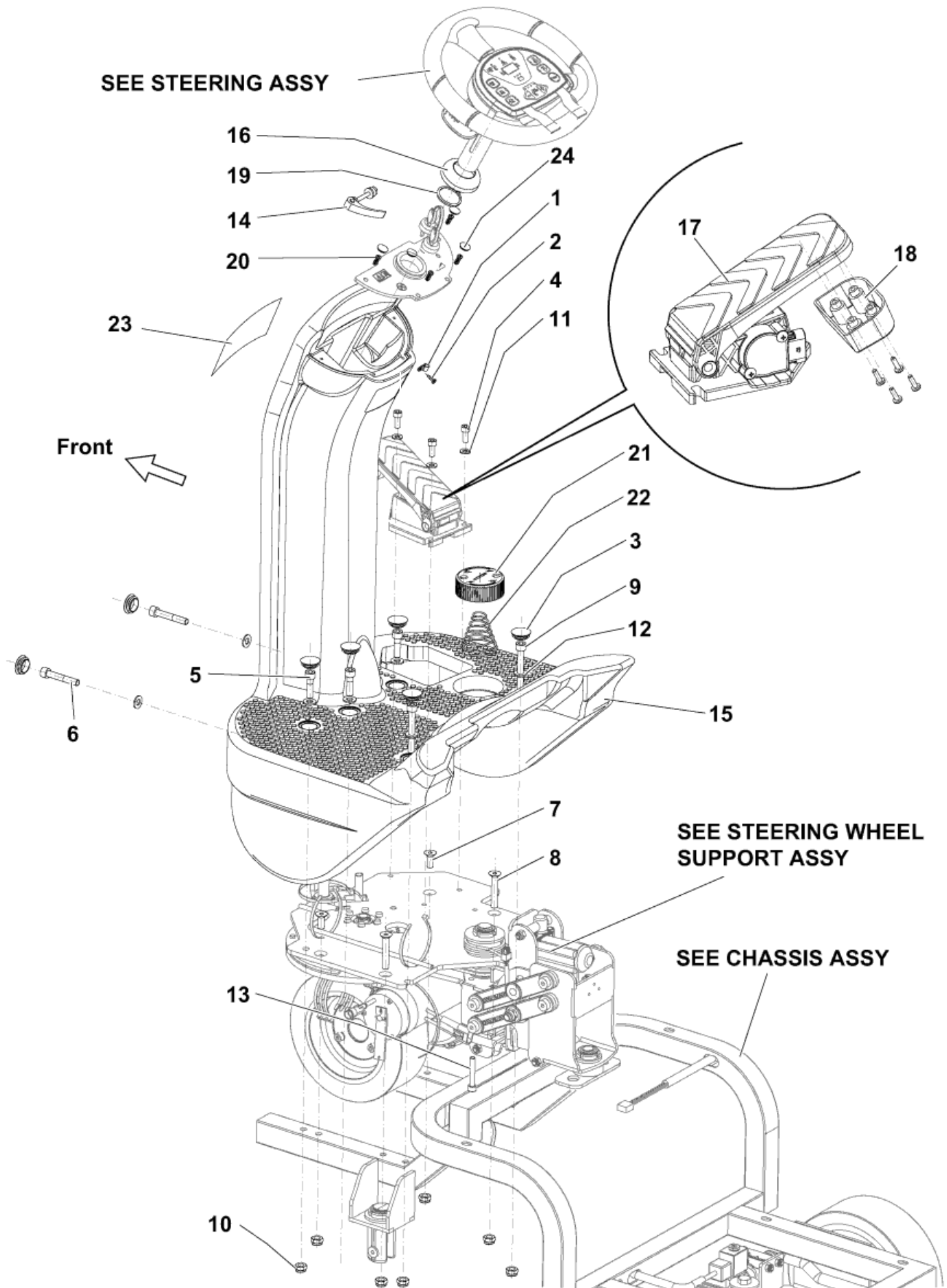
# COLUMN SYSTEM

BR 652 - 752 - 752C

12-03-2015

ET-Liste-Nr.  
BR652020

9



# COLUMN SYSTEM

BR 652 - 752 - 752C

12-03-2015

ET-Liste-Nr.  
BR652U20

10

Pos	Artikelnr.	Me	Beschreibung
14	9097796000	1	Lenksaule HÖheEinstellung
15	9097805000	1	FOOTBOARD WITH COLUMN RAL7016
16	9097806000	1	PROTECTION STEERING RING
17	9100001051	1	PEDAL SPEED CONTROL KIT
18	9100001052	1	STOPPER PEDAL PKD
21	9097950000	1	Fußstütze
22	9097957000	1	Feder für Fußstütze
23	9098717000	1	Aufkleberkit
25	9098718000	1	Befestigungskit

Item 1-2-3-4-5-6-7-8-9-10-11-12-13-19-20-24

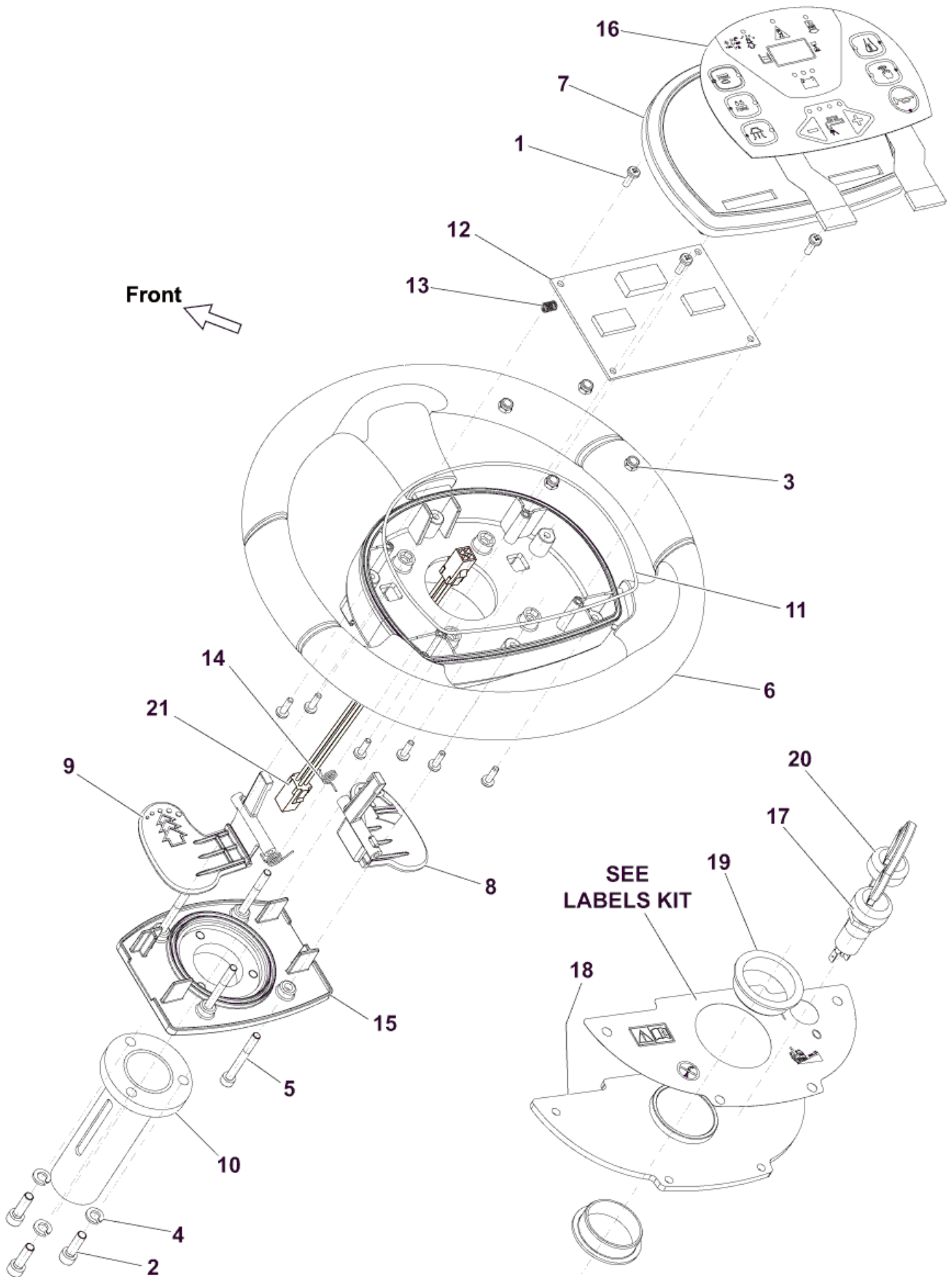
# STEERING ASSY

BR 652 - 752 - 752C

12-03-2015

ET-Liste-Nr.  
BR652030

11



# STEERING ASSY

BR 652 - 752 - 752C

12-03-2015

ET-Liste-Nr.  
BR652U30

12

Pos	Artikelnr.	Me	Beschreibung
6	9097785000	1	Lenkrad D.320X281
7	9097786000	1	COVER DRIVE WHEEL
8	9097788000	1	Hebel, gelb
9	9097789000	1	Hebel, schwarz
10	9097846000	1	TUBE ADJUST.STEERING WHEEL
11	9097921000	1	GASKET ROUND D.2MM
12	9100000178	1	CARD ELECTRONIC FUNCTIONS KIT
13	9097923000	2	Feder
14	9097924000	2	Feder
15	9097925000	1	Kappe hinten
16	9097986000	1	Aufkleber Bedienfeld
17	146 2888 000	1	Schlüsselschalter
18	9097842000	1	PLATE FIXING STEERING WHEEL
19	9097843000	2	BUSH FLANGED D.40X44X52
20	146 2887 000	1	KEY (2 PCS)
21	9097792000	1	Verbindungskabel
22	9098719000	1	Befestigungskit für Rad

Item 1-2-3-4-5

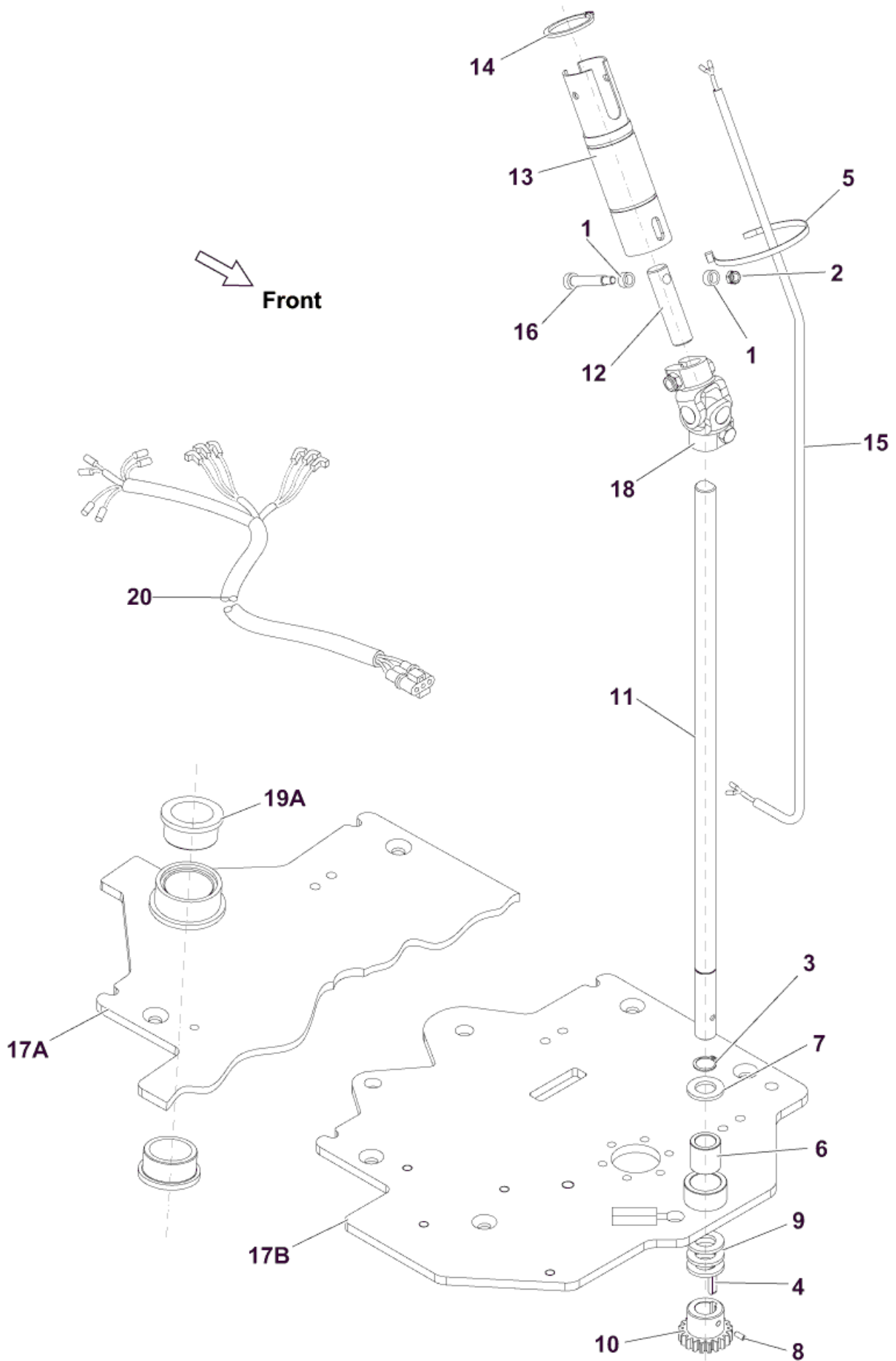
# STEERING WHEEL SUPP ASSY

BR 652 - 752 - 752C

12-03-2015

ET-Liste-Nr. BR652040

13



# STEERING WHEEL SUPP ASSY

BR 652 - 752 - 752C

12-03-2015

ET-Liste-Nr.  
BR652040

14

Pos	Artikelnr.	Me	Beschreibung	
4	1466146000	1	KEY 5X5X25 UNI6604A PKD	
10	909 5943 000	1	Zahnstangengelenk	
11	9097840000	1	SHAFT STEERING	
12	9097844000	1	SHAFT STEERING	
13	9099425000	1	TUBE STEERING KIT	TSB IT 2011-076
15	9098094000	1	Kabelbaum Lenksaule	
16	9098166000	1	SCREW SHOUL 8X40 M6 ISO7379 GEOMET 320A	
21	9098720000	1	Befestigungs kit für	Item 1-2-5-6-7-8-9-14-3-TSB IT 2011-076
17A	9097937000	1	PLATE STEERING SUPPORT	Only for BR 652 - BR 752
17B	9098412000	1	PLATE STEERING SUPPORT	Only for BR 752C
19A	9098216000	2	BUSH FLANGED D.30X38X44	Only for BR 652 - BR 752
20A	9098191000	1	HARNESS FOOT BOARD	Only for BR 652 - BR 752
20B	9097932000	1	HARNESS FOOT BOARD FOR CYL.	Only for BR 752C

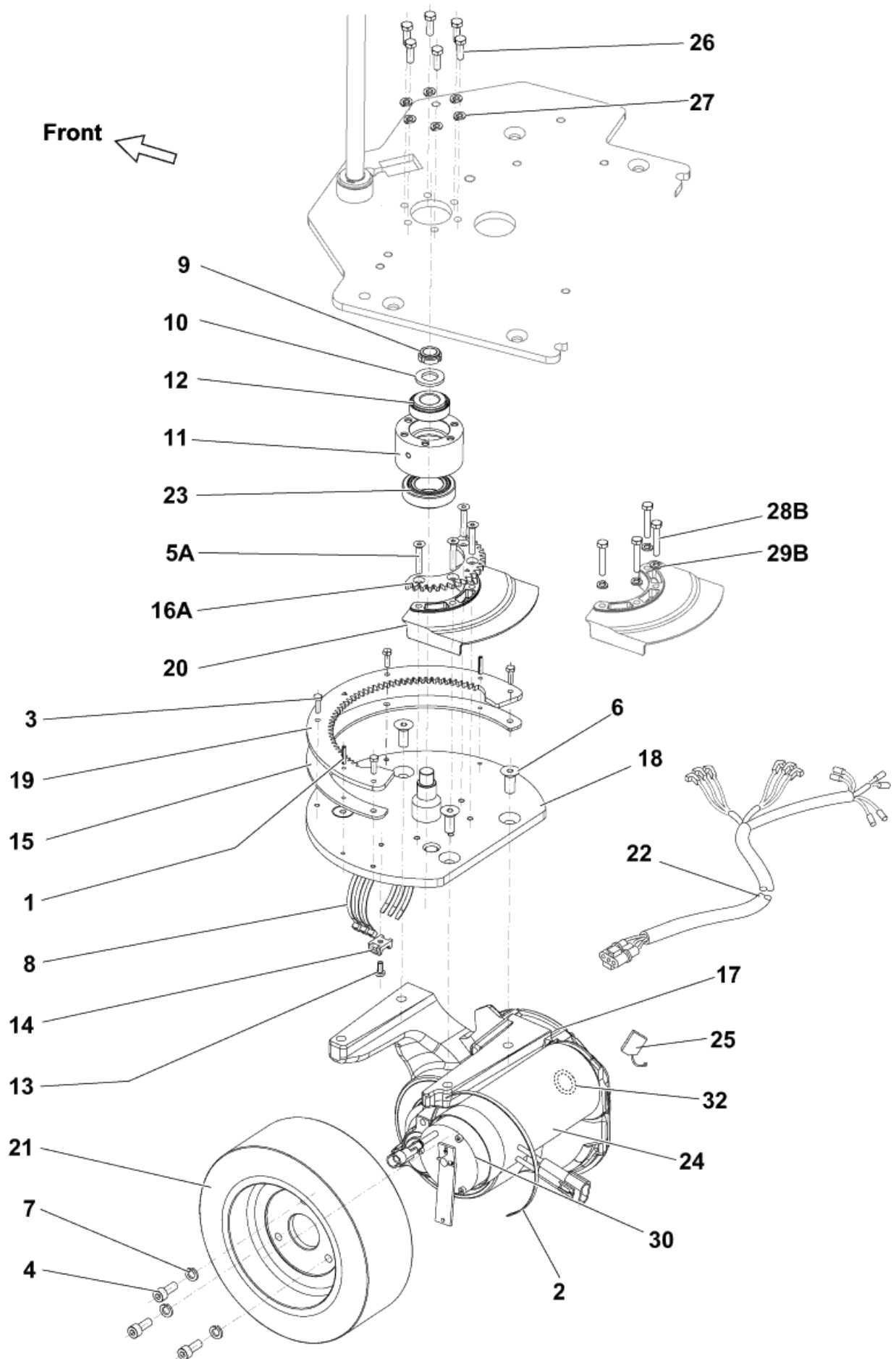
# DRIVE WHEEL ASSY

BR 652 - 752 - 752C

12-03-2015

ET-Liste-Nr.  
BR652050

15



# DRIVE WHEEL ASSY

BR 652 - 752 - 752C

12-03-2015

ET-Liste-Nr.  
BR652U50

16

Pos	Artikelnr.	Me	Beschreibung	
11	909 5941 000	1	Distanzstück	
12	909 5942 000	1	Kugellager	
15	9097807000	1	SPACER CROWN STEERING	
17	9100000074	1	MOTOR WHEEL 300W 24V KIT	
18	9097837000	1	BRACKET STEERING	
19	9097841000	1	CROWN STEERING Z100	
20	9098165000	1	PROTECTION DRIVE WHEEL WIRING	
21	9098407000	1	Antriebsrad	
22	9098430000	1	Kabelbaum Kit Antriebsrad	
23	145 4691 000	1	Kugellager	
24	9098625000	1	MOTOR ELECTRIC	when stock used up order 9100000076
24	9100000684	1	MOTOR ELECTRIC 300W 24V PKD	
25	9098627000	1	BRUSH CARBON KIT	
30	9098626000	1	Bremse, Elektromagnetisch	
31	9098721000	1	Befestigungs kit	Item 26-27-9-10-5-28-29-3-1-6-8-14-13-7-4-2
32	9098800000	1	OIL SEAL 15X32X7	For MOTOR WHEEL 9097834000
16A	9097809000	1	GEAR MAIN Z45	Only for BR 652 - BR 752



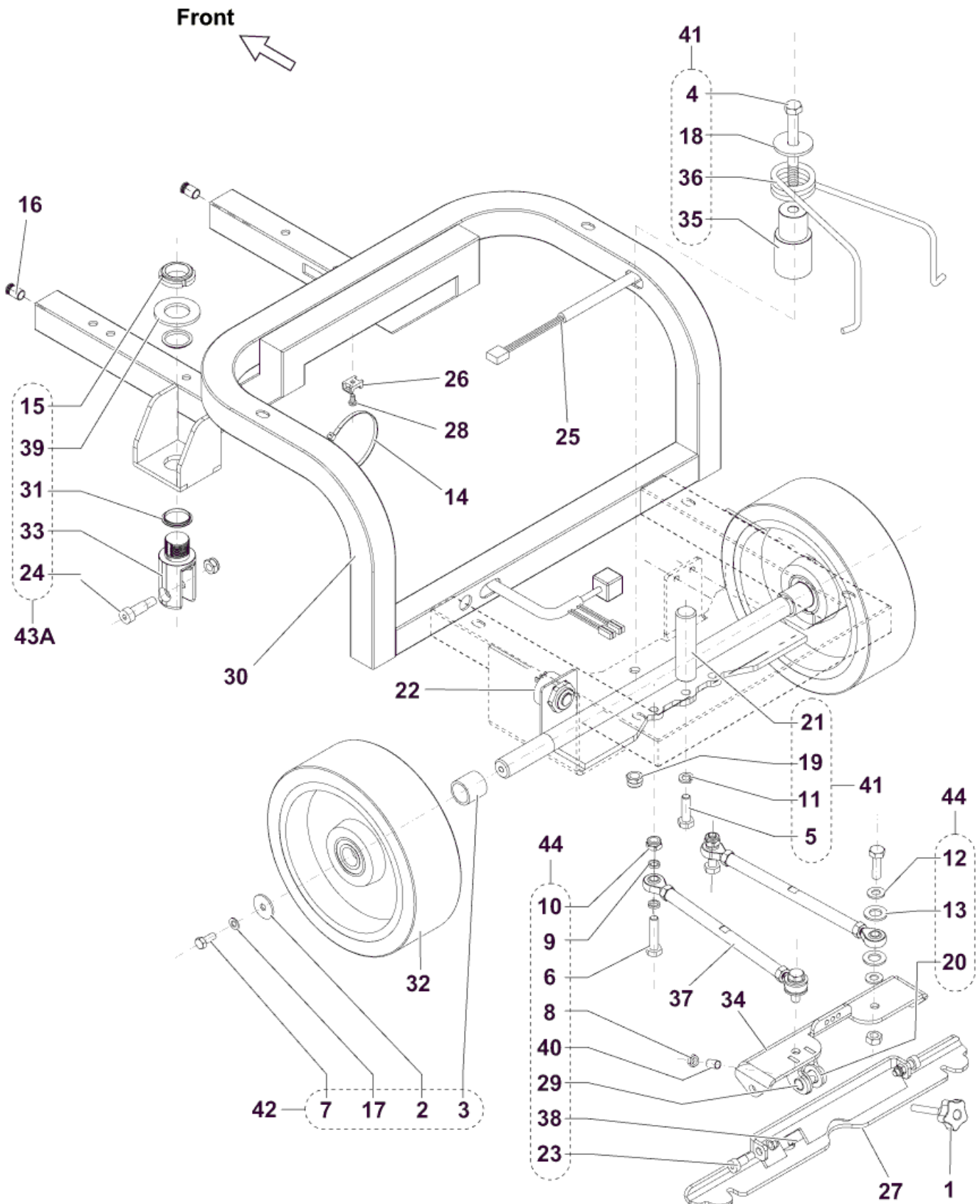
# Chassis-System

BR 652 - 752 - 752C

12-03-2015

ET-Liste-Nr.  
BR652060

17



# Chassis-System

BR 652 - 752 - 752C

12-03-2015

ET-Liste-Nr.  
BR652060

18

Pos	Artikelnr.	Me	Beschreibung	
1	9099136000	1	Handrad	
22	909 6126 000	1	HUPE 5-32V	
25	9098236000	1	HARNESS REAR MACHINE	
27	9098390000	1	SUPPORT SQUEEGEE DOWN	
30	9097798000	1	CHASSIS	
32	910000772	2	WHEEL D.254 80SH GREY PKD	
34	9097827000	1	SUPPORT SQUEEGEE UPPER	
37	9097931000	2	ROD EYE M10	
41	9098722000	1	CENTRING SQUEEGEE KIT	Item 4-18-36-35-21-19-11-5
42	9098723000	1	FIXING WHEELS KIT	Item 7-17-2-3
44	9098725000	1	Befestigungskit	Item 10-9-6-8-40-29-38-23-12-13-20
43A	9098724000	1	BRACKET TURNING KIT	Item 24-33-31-39-15 (Only for BR 652 - BR 752)

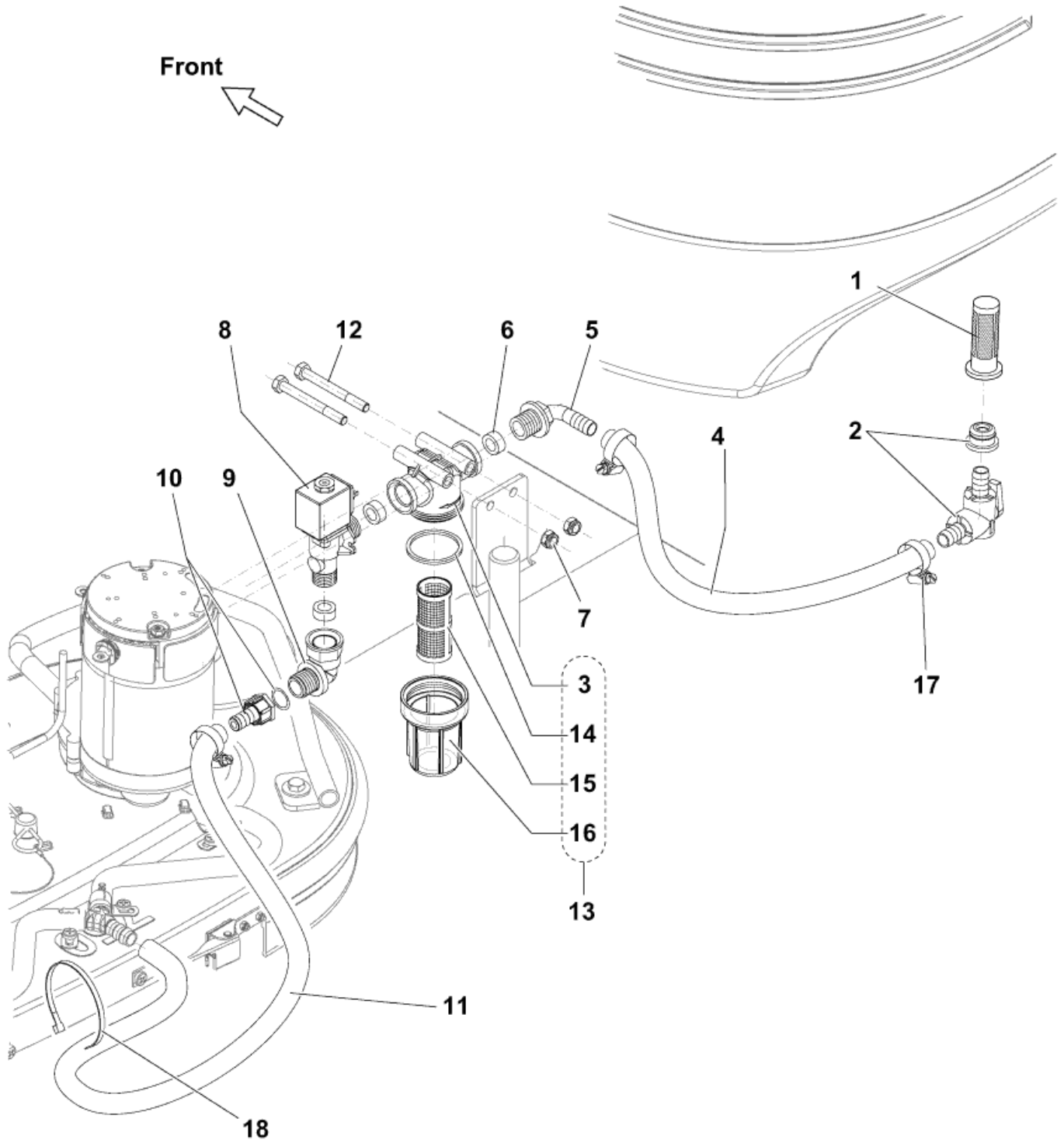
# FRISCHWASSERSYSTEM

BR 652 - 752 - 752C

12-03-2015

ET-Liste-Nr.  
BR652070

19



# FRISCHWASSERSYSTEM

BR 652 - 752 - 752C

12-03-2015

ET-Liste-Nr.  
BR652070

20

Pos	Artikelnr.	Me	Beschreibung	
1	9096916000	1	FILTER SOLUTION TANK	Optional
2	9097626000	1	VALVE ELBOW KIT	
4	9098120000	1	HOSE PVC W/SPIRAL D12X18 L.323MM PKD	
5	909 6087 000	1	Verbindung	
6	9100000622	3	GASKET RUBBER D.11.5x19x5 BLACK PKD	
8	909 6555 000	1	SOLENOID VALVE 24V	
9	909 6086 000	1	Verbindung	
10	9097115000	1	Schlauchanschluß	
11	9097821000	1	Schlauch D12 x 1020mm	
13	9098115000	1	Wasserfilter	
14	9097943000	1	Dichtung für Wasserfilter	
15	9097944000	1	Filtereinsatz	
16	9097945000	1	Deckel Wasserfilter	
19	9098726000	1	Befestigungskit	Item 12-7-17-18

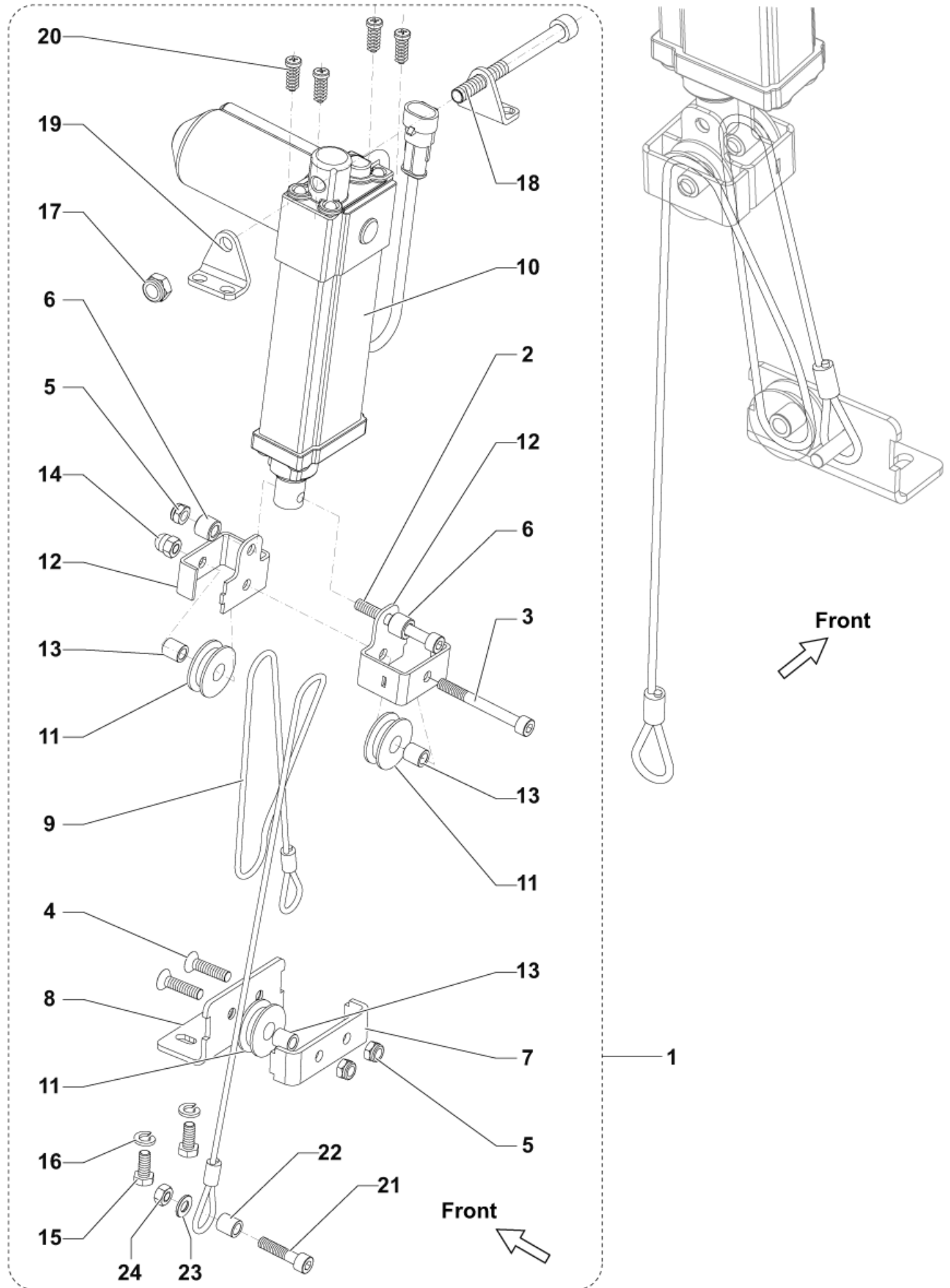
# SQUEEGEE RAISING ASSY

BR 652 - 752 - 752C

12-03-2015

ET-Liste-Nr.  
BR652080

21



# SQUEEGEE RAISING ASSY

BR 652 - 752 - 752C

12-03-2015

ET-Liste-Nr.  
BR652080

22

Pos	Artikelnr.	Me	Beschreibung
1	9098708000	1	SQUEEGEE LIFTING KIT
9	9097933000	1	Seilzug f. Absaugleiste
10	9100000682	1	ACTUATOR LINEAR 24V DC STRK 100MM PKD
11	9098248000	3	Umlenkrolle

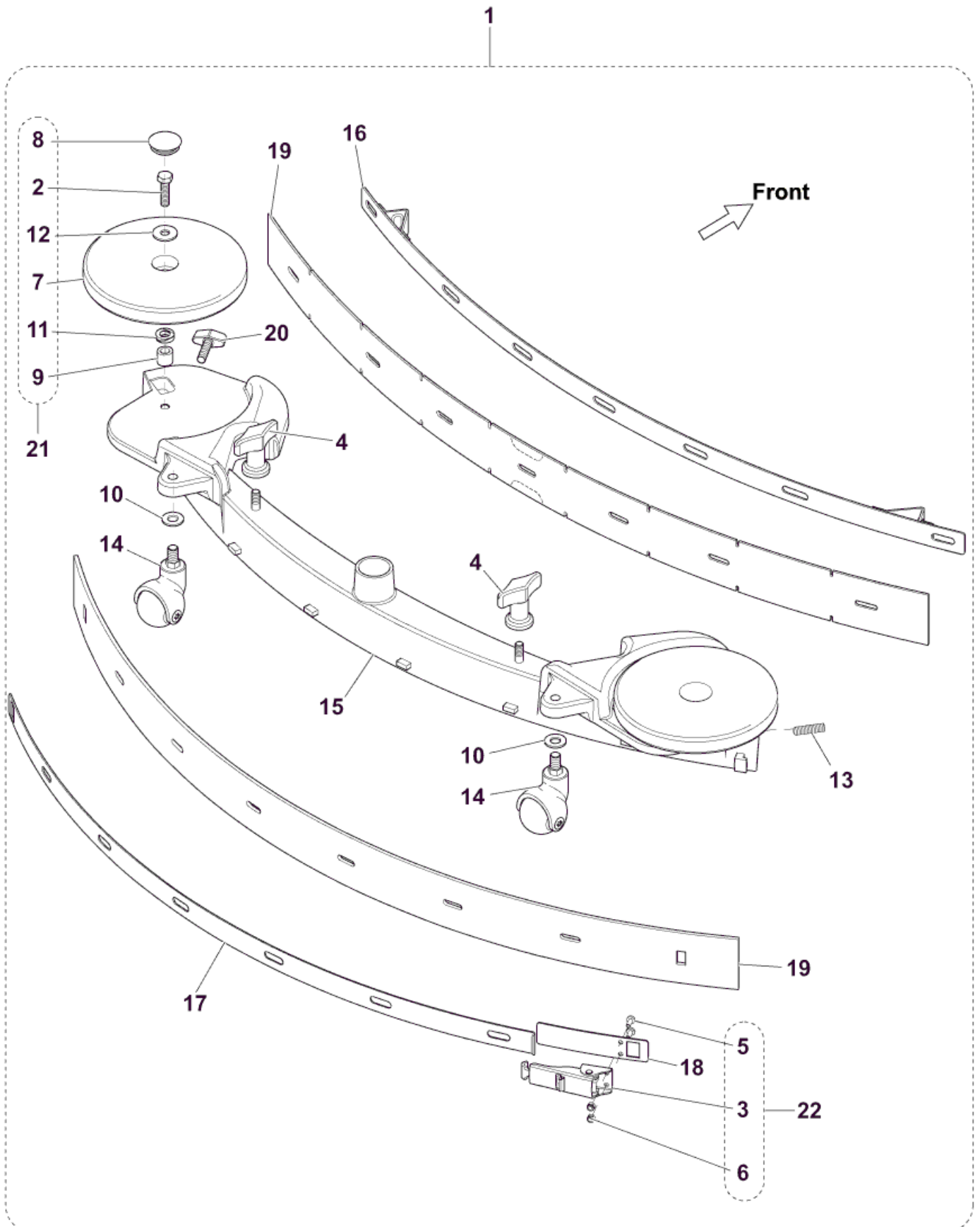
# SQUEEGEE SYSTEMS

BR 652 - 752 - 752C

12-03-2015

ET-Liste-Nr.  
BR652090

23



# SQUEEGEE SYSTEMS

BR 652 - 752 - 752C

12-03-2015

ET-Liste-Nr.  
BR652090

24

Pos	Artikelnr.	Me	Beschreibung	
1	9098728000	1	Absaugleiste kpl. 890mm	
4	9097637000	1	SQUEEGEE FIXING KIT	
10	33005916	2	Unterlagscheibe M10 UNI6592	
13	909 6600 000	1	Schraube M8X30 UNI5929 SS	
14	9099163000	2	Lenkrolle D42	
15	9098379000	1	Gehäuse - Absaugleiste	
16	9098380000	1	STRAP FRONT SQUEEGEE 35 INC	
17	9098381000	1	STRAP SKIRT REAR RIGHT 35 INC.	
18	9098382000	1	Spannverschluss	
19	9097804000	1	Gummilippen Kit 890mm/35	Optional
19	9099855000	1	BLADES PU 890MM/35 KIT	
20	9100000791	1	KNOB M8X30 THD STUD SS PKD	
21	909 6887 000	2	Abweisrollenkit	Item 9-11-7-12-2-8
22	909 6394 000	1	LATCH SQUEEGEE KIT	Item 3-5-6



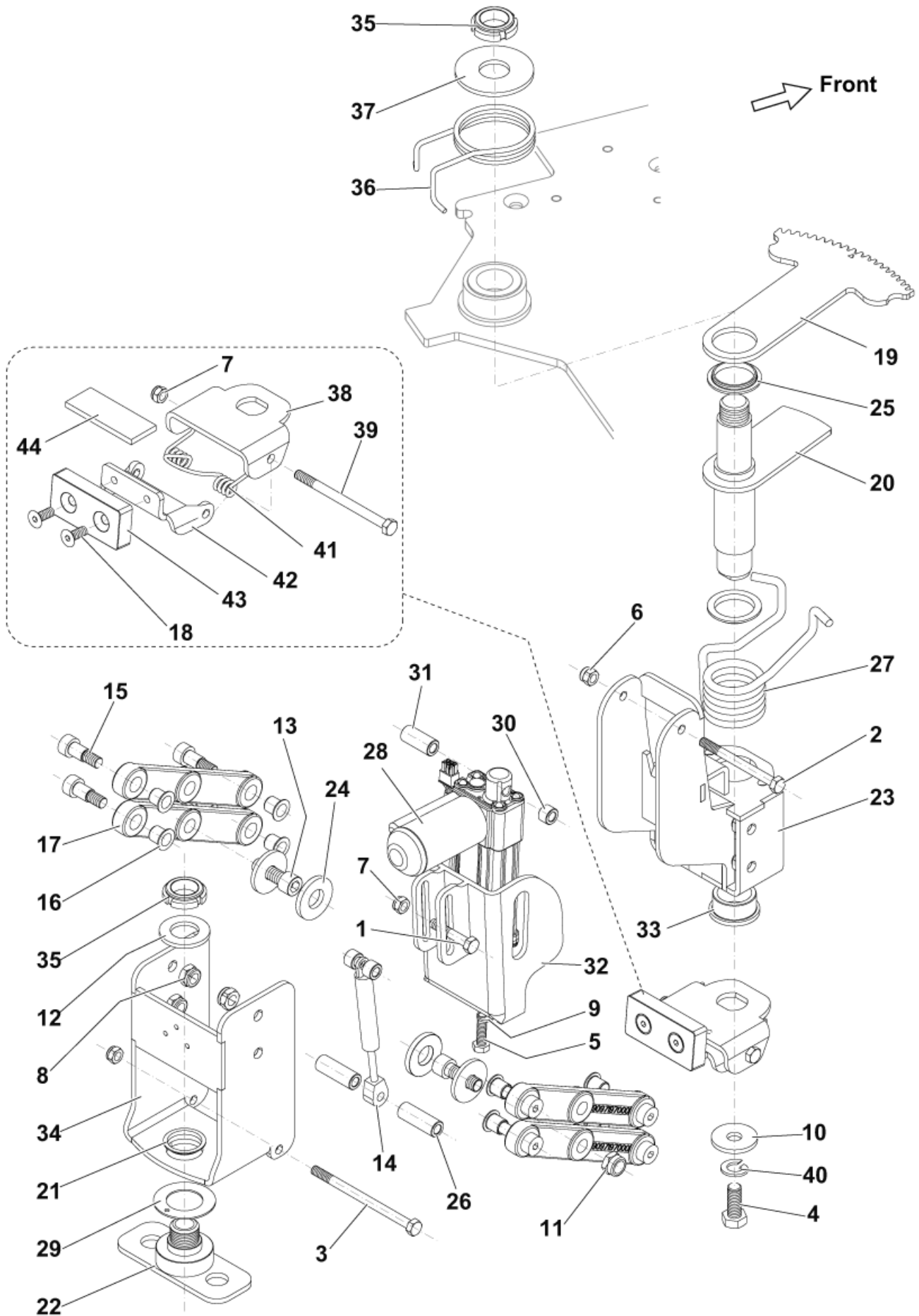
# DISC BRUSH DECK SUPP. ASSY

BR 652 - 752 - 752C

12-03-2015

ET-Liste-Nr.  
BR652100

25



# DISC BRUSH DECK SUPP. ASSY

BR 652 - 752 - 752C

12-03-2015

ET-Liste-Nr.  
BR652100

26

Pos	Artikelnr.	Me	Beschreibung
14	909 5637 000	1	Feder
15	909 6520 000	8	SCREW 12X16 M10 ISO7379 12.9 GEOMET320A
16	9097008000	8	BUSH FLANGED
17	9097197000	4	LEVER
19	9097810000	1	GEAR SLAVE
20	9097811000	1	PIN DRIVEN CROWN
21	9097812000	1	BUSH FLANGED D.30X32X37
22	9097819000	1	BRACKET ROTATING SUPPORT DECK
23	9097822000	1	SUPPORT JACK
24	9097824000	2	Buchse D.18.2X40
25	9097835000	2	BUSH FLANGED D.35X39X47
26	9097836000	2	SPACER D. 8.5X15X42
27	9097850000	1	Federdämpfer Schrubbdeck
29	9097854000	1	BUSH D.32X54
30	9097938000	3	SPACER D. 8.5X15X10
31	9097939000	1	SPACER D. 8.5X15X33
32	9098176000	1	BRACKET LOWER JACK MOTOR
33	9098216000	1	BUSH FLANGED D.30X38X44
34	9098220000	1	BRACKET SUPPORT DECK
35	33005721	2	Ringmutter M25x1,5
36	9097851000	1	Zentrierfeder
37	9098239000	1	WASHER FLAT D.25.5X65X4
38	9098195000	1	FLANGE UP DRAGGING
41	9098197000	1	SPRING INSERTION DRAGGING
42	9098196000	1	FLANGE DOWN DRAGGING
43	9097813000	1	Führung
44	9098857000	1	RUBBER ANTISHOCK
45	9098727000	1	HARDWARE BRUSH DECK SUPPORT KI

Item 40-18-39-6-2-13-1-7-9-5-10-4-11-3-8-12

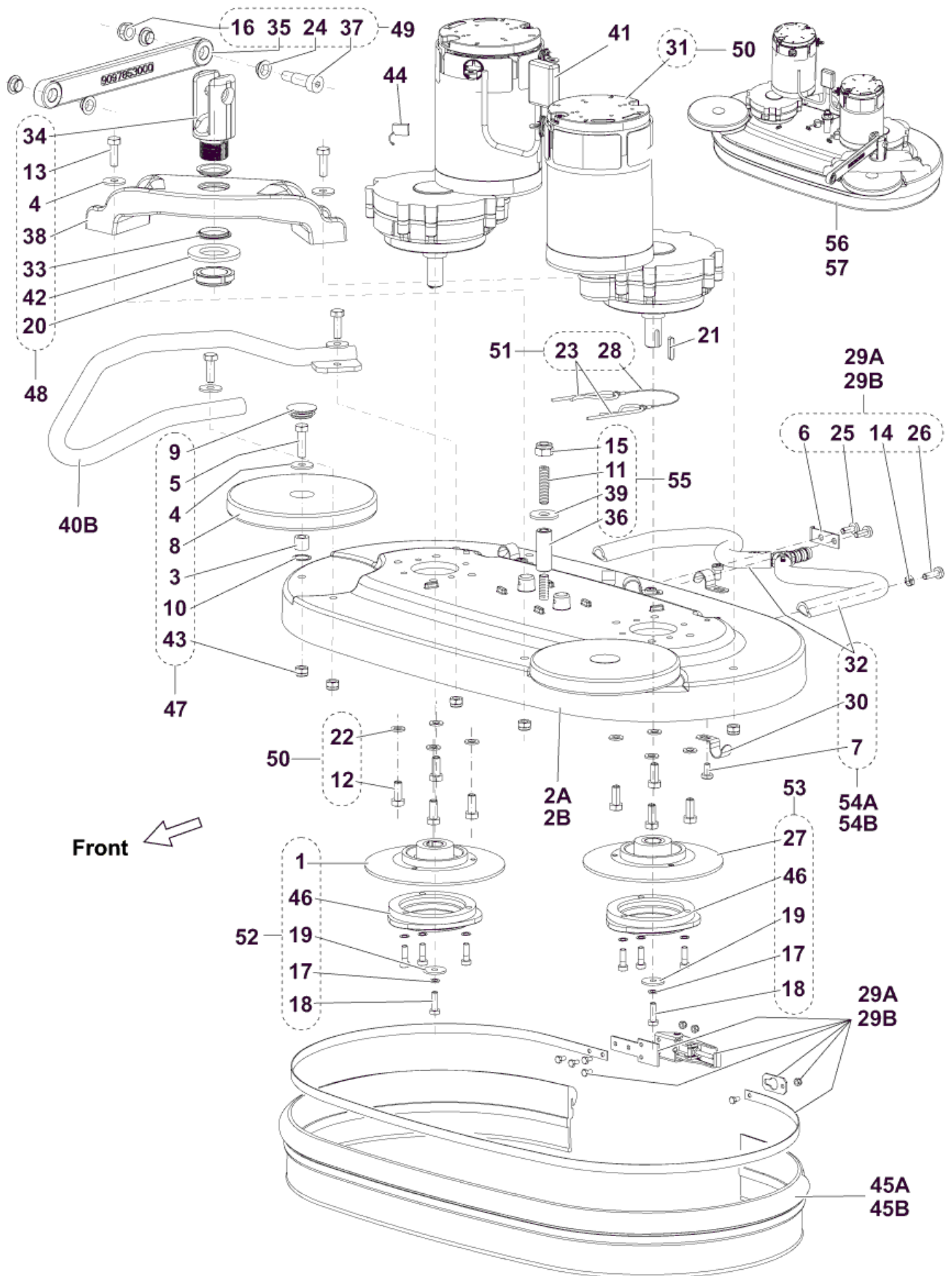
# DISC BRUSH DECKS SYSTEMS

BR 652 - 752 - 752C

12-03-2015

ET-Liste-Nr.  
BR652110

27



# DISC BRUSH DECKS SYSTEMS

BR 652 - 752 - 752C

12-03-2015

ET-Liste-Nr.  
BR652110

28

Pos	Artikelnr.	Me	Beschreibung	
0	9098761000	1	Stecker 50A ROT	
21	1466147000	2	KEY 5X5X20 UNI6604A PKD	
2A	9099414000	1	DECK BRUSH 650MM	For BR 652
2B	9099415000	1	DECK BRUSH 750MM	For BR 752
41	9098374000	1	Kabelbaum für Bürstendeck	
44	909 5380 000	2	Kohlebürste KIT	FOR OLD MOTOR 9097638000
44	9100000421	2	CARBON BRUSHES W/HOLDER KIT	FOR MOTOR 9100000309
46	L08812480	2	HUB,BRUSH	
47	909 6887 000	2	Abweisrollenkit	Item 4-5-9-8-3-10-43
48	9098730000	1	SPACER SIDE ARM KIT	Item 13-34-4-38-33-42-20
49	9098731000	1	ARM SIDE KIT	Item 16-24-35-37
50	9100000309	2	REDUCTION GEAR MOTOR 400W 24V KIT	Item 31-21-22-12-44
51	909 6354 000	1	Splint Set	Item 23-28
52	9097640000	1	HOLDER POLYGONAL RIGHT 650-750-850MM/26	Item 1-19-17-18
53	9097639000	1	HOLDER POLYGONAL LEFT 650-750-850MM/26-	Item 27-19-17-18
55	9098732000	1	FIXING DECK KIT	Item 15-11-39-36
56	9098741000	1	Bürstendeck 350mm/26 Kit	
57	9098742000	1	Bürstendeck 750mm/28 Kit	
29A	909 5398 000	1	Spritzgummihalterungs-KitBA 600S / BA 65	For BR 652
29B	909 5407 000	1	Spritzgummihalterungs-KitBA 750S	For BR 752
40B	9098243000	1	PROTECTION BRUSH DECK 750	For BR 752
45A	909 5224 000	1	Schmutzfänger - DECK 650MM/26"	For BR 652
45A	9097474000	1	Spritzschutz	Optional for BR 652
45B	909 5345 000	1	Spritzgummi BA 750L=1600mm	For BR 752
45B	9097475000	1	SPLASH GUARD W/BRISTLES	Optional for BR 752
54A	9097644000	1	Schlauch	Item 7-30-32 for BR 652
54B	9097645000	1	Wasserschlauch	Item 7-30-32 for BR 752

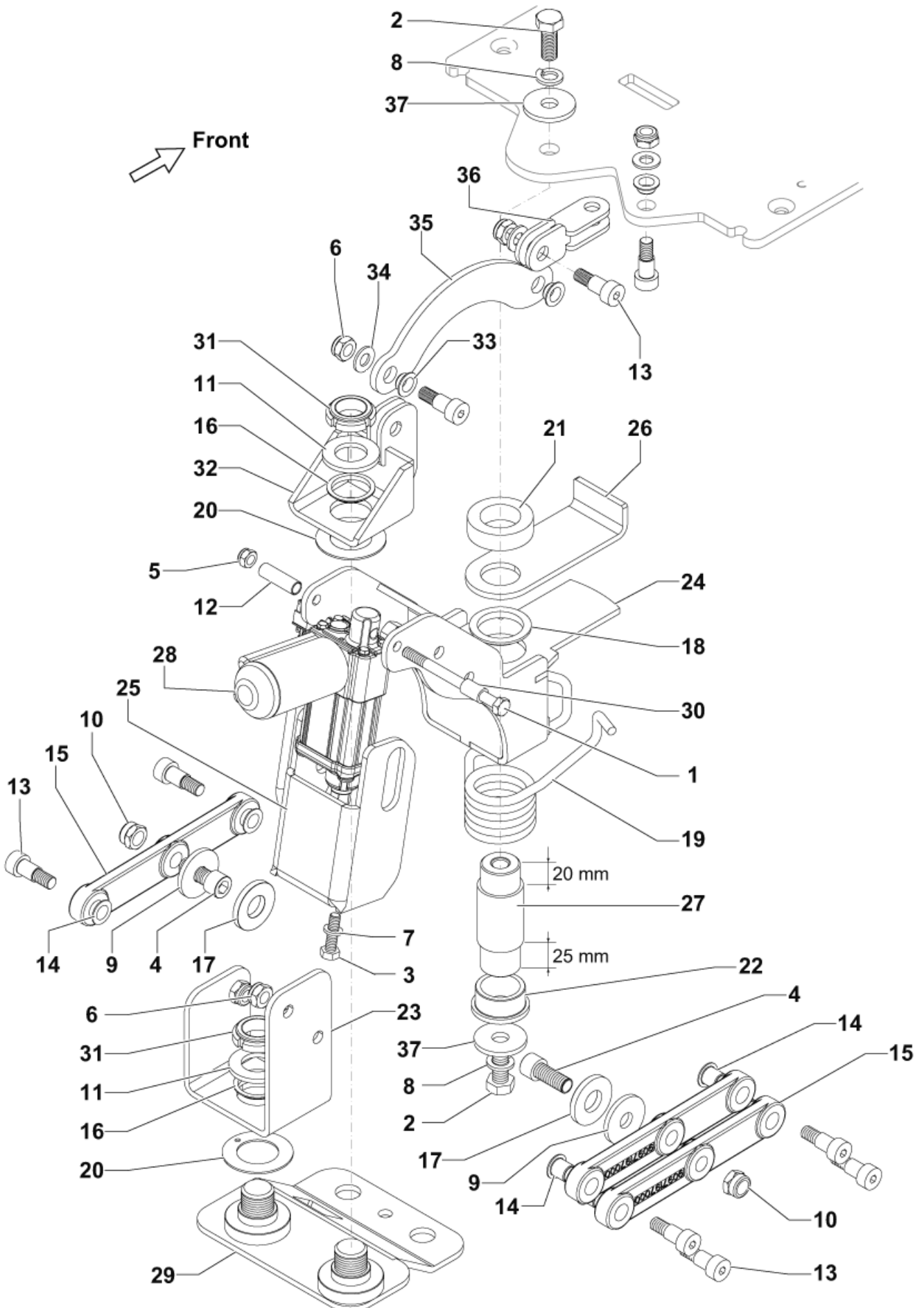
# CYL. BRUSH DECK SUPP. ASSY

BR 652 - 752 - 752C

12-03-2015

ET-Liste-Nr.  
BR652120

29



# CYL. BRUSH DECK SUPP. ASSY

BR 652 - 752 - 752C

12-03-2015

ET-Liste-Nr.  
BR652120

30

Pos	Artikelnr.	Me	Beschreibung
12	9097920000	1	SPACER D. 8.5X15X38
14	9097008000	6	BUSH FLANGED
15	9097197000	3	LEVER
16	9097812000	2	BUSH FLANGED D.30X32X37
17	9097824000	2	Buchse D.18.2X40
18	9097835000	1	BUSH FLANGED D.35X39X47
19	9097850000	1	Federdämpfer Schrubbdeck
20	9097854000	2	BUSH D.32X54
21	9098121000	1	SPACER D.31X50X14.5 NYLON
22	9098216000	1	BUSH FLANGED D.30X38X44
23	9098409000	1	BRACKET SUPPORT CYL.DECK
24	9098410000	1	SUPPORT JACK CYL.DECK
25	9098411000	1	BRACKET LOWER JACK MOTOR CYL.D
26	9098415000	1	PLATE SPRING SUPPORT
27	9098416000	1	PIN SUPPORT JACK MOTOR CYL.DEC
28	910000683	1	ACTUATOR LINEAR 24V DC STRK 46MM PKD
29	9098418000	1	BRACKET ROTATING SUPPORT CYL.D
30	145 2381 000	1	Lagerf utter
31	33005721	2	Ringmutter M25x1,5
32	9098420000	1	SUPPORT ROTATING CYL.DECK
33	146 0549 000	3	Flanschlager
35	9098419000	1	ARM SIDE CYLINDRICAL DECK
36	9098421000	1	ARTICULATED JOINT FOR CYL DECK
38	9098733000	1	HARDWARE CYL.BRUSH DECK SUPPOR

Item 37-34-13-5-10-4-9-6-11-2-8-3-7-1

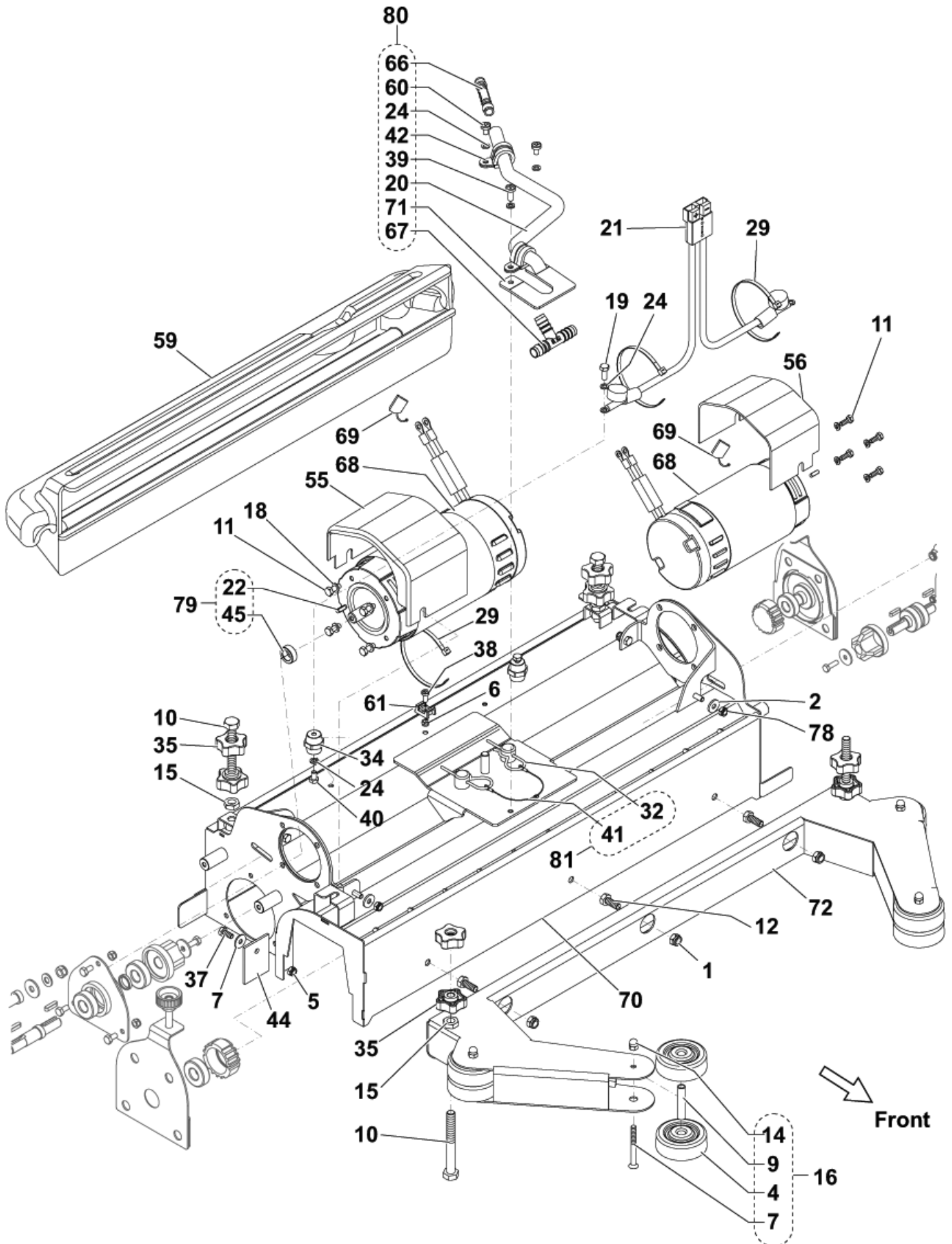
# CYL. BRUSHES DECK 1

BR 652 - 752 - 752C

12-03-2015

ET-Liste-Nr.  
BR652130

31



# CYL. BRUSHES DECK 1

BR 652 - 752 - 752C

12-03-2015

ET-Liste-Nr.  
BR652130

32

Pos	Artikelnr.	Me	Beschreibung
0	9098761000	1	Stecker 50A ROT
16	9098736000	4	ROLLER BUMPER KIT Item 14-4-9-7
21	9098658000	1	HARNESS CYL.DECK
23	56407551	2	Bürstenklaue zu BR 850/C
26	145 0461 000	8	NUT WING M6
30	145 2361 000	6	Kugellager 6202-2RS1
34	146 0708 000	2	Isolator weiß
35	146 1036 000	8	Stellknopf
43	909 5728 000	2	HUB BRUSH
44	909 5752 000	2	Deckgummi BA 750 SC
48	909 5758 000	2	Ritzel
49	909 5761 000	1	Keilriemen
50	909 5762 000	2	ROLLER BELT TENSIONER
51	909 5763 000	4	Lager
55	909 5802 000	1	Motorabdeckung BR 751
56	909 5803 000	1	Motorschutzgehäuse
57	909 5964 000	2	Stellschraube
59	909 6225 000	1	Grobschmutzbehälter BR751
61	909 6595 000	1	Halter / Schelle
62	909 6730 000	2	PULLEY POLY-V
63	909 6731 000	1	Keilriemen
64	909 6785 000	1	CRANKCASE.BELT PROTECTIONRIGHT
65	909 6786 000	1	CRANKCASE.BELT PROTECTIONLEFT
68	9099858000	2	MOTOR ELECTRIC 600W 24V KIT
69	L08603949	2	Kohlebürste SET STÜCK
70	9097847000	1	FRAME CYLINDRICAL DECK 750
72	9097936000	1	PROTECTION CYL.BRUSH DECK 750
73	9097952000	1	SUPPORT CYL.DECK LEFT SIDE SKIRT
74	9097956000	1	SUPPORT CYL.DECK RIGHT SIDE SKIRT
75	9097959000	2	PLATE SIDE SKIRT CYL.DECK
76	9097960000	2	SKIRT SIDE CYL.DECK
79	9098734000	2	BELT TRANSMISSION KIT Item 3-5-13-17-22-25-27-28-31-30-33-36-43-45-46-47
80	9098735000	1	PIPE WATER KIT Item 20-39-42-60-66-67-71
81	909 6354 000	1	Splint Set Item 32-41
82	9098737000	2	SUPPORT BRUSH KIT Item 58-30-23
83	9098738000	1	Befestigungskit Item 1-2-6-8-10-11-12-15-18-19-24-29-37-38-40-78



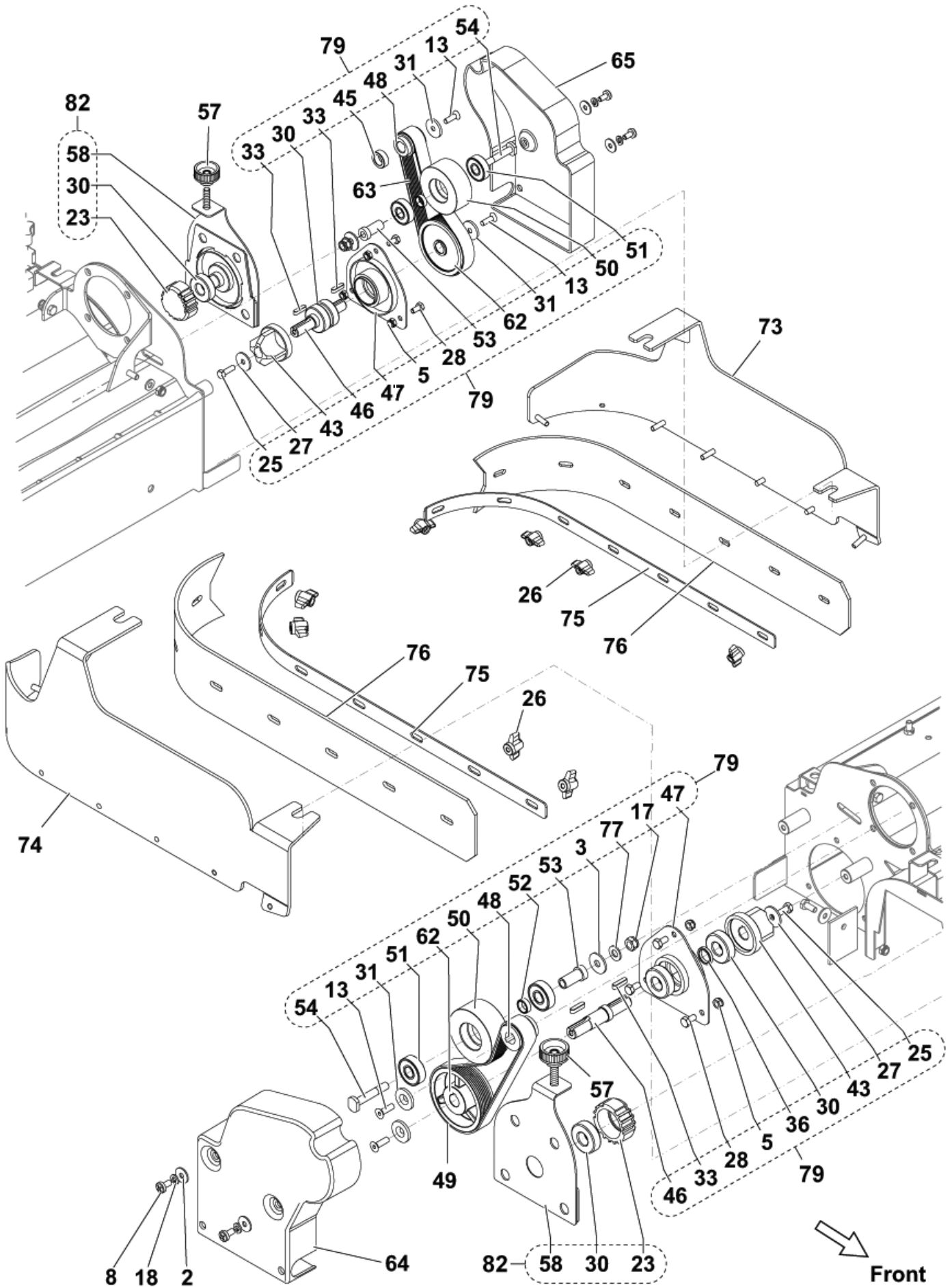
# CYL. BRUSHES DECK 2

BR 652 - 752 - 752C

12-03-2015

ET-Liste-Nr.  
BR652140

33



# CYL. BRUSHES DECK 2

BR 652 - 752 - 752C

12-03-2015

ET-Liste-Nr.  
BR652140

34

Pos	Artikelnr.	Me	Beschreibung
0	9098761000	1	Stecker 50A ROT
16	9098736000	4	ROLLER BUMPER KIT Item 14-4-9-7
21	9098658000	1	HARNESS CYL.DECK
23	56407551	2	Bürstenklaue zu BR 850/C
26	145 0461 000	8	NUT WING M6
30	145 2361 000	6	Kugellager 6202-2RS1
34	146 0708 000	2	Isolator weiß
35	146 1036 000	8	Stellknopf
43	909 5728 000	2	HUB BRUSH
44	909 5752 000	2	Deckgummi BA 750 SC
48	909 5758 000	2	Ritzel
49	909 5761 000	1	Keilriemen
50	909 5762 000	2	ROLLER BELT TENSIONER
51	909 5763 000	4	Lager
55	909 5802 000	1	Motorabdeckung BR 751
56	909 5803 000	1	Motorschutzgehäuse
57	909 5964 000	2	Stellschraube
59	909 6225 000	1	Grobschmutzbehälter BR751
61	909 6595 000	1	Halter / Schelle
62	909 6730 000	2	PULLEY POLY-V
63	909 6731 000	1	Keilriemen
64	909 6785 000	1	CRANKCASE.BELT PROTECTIONRIGHT
65	909 6786 000	1	CRANKCASE.BELT PROTECTIONLEFT
68	9099858000	2	MOTOR ELECTRIC 600W 24V KIT
69	L08603949	2	Kohlebürste SET STÜCK
70	9097847000	1	FRAME CYLINDRICAL DECK 750
72	9097936000	1	PROTECTION CYL.BRUSH DECK 750
73	9097952000	1	SUPPORT CYL.DECK LEFT SIDE SKIRT
74	9097956000	1	SUPPORT CYL.DECK RIGHT SIDE SKIRT
75	9097959000	2	PLATE SIDE SKIRT CYL.DECK
76	9097960000	2	SKIRT SIDE CYL.DECK
79	9098734000	2	BELT TRANSMISSION KIT Item 3-5-13-17-22-25-27-28-31-30-33-36-43-45-46-47
80	9098735000	1	PIPE WATER KIT Item 20-39-42-60-66-67-71
81	909 6354 000	1	Splint Set Item 32-41
82	9098737000	2	SUPPORT BRUSH KIT Item 23-33-58
83	9098738000	1	Befestigungskit Item 1-2-6-8-10-11-12-15-18-19-24-29-37-38-40-78

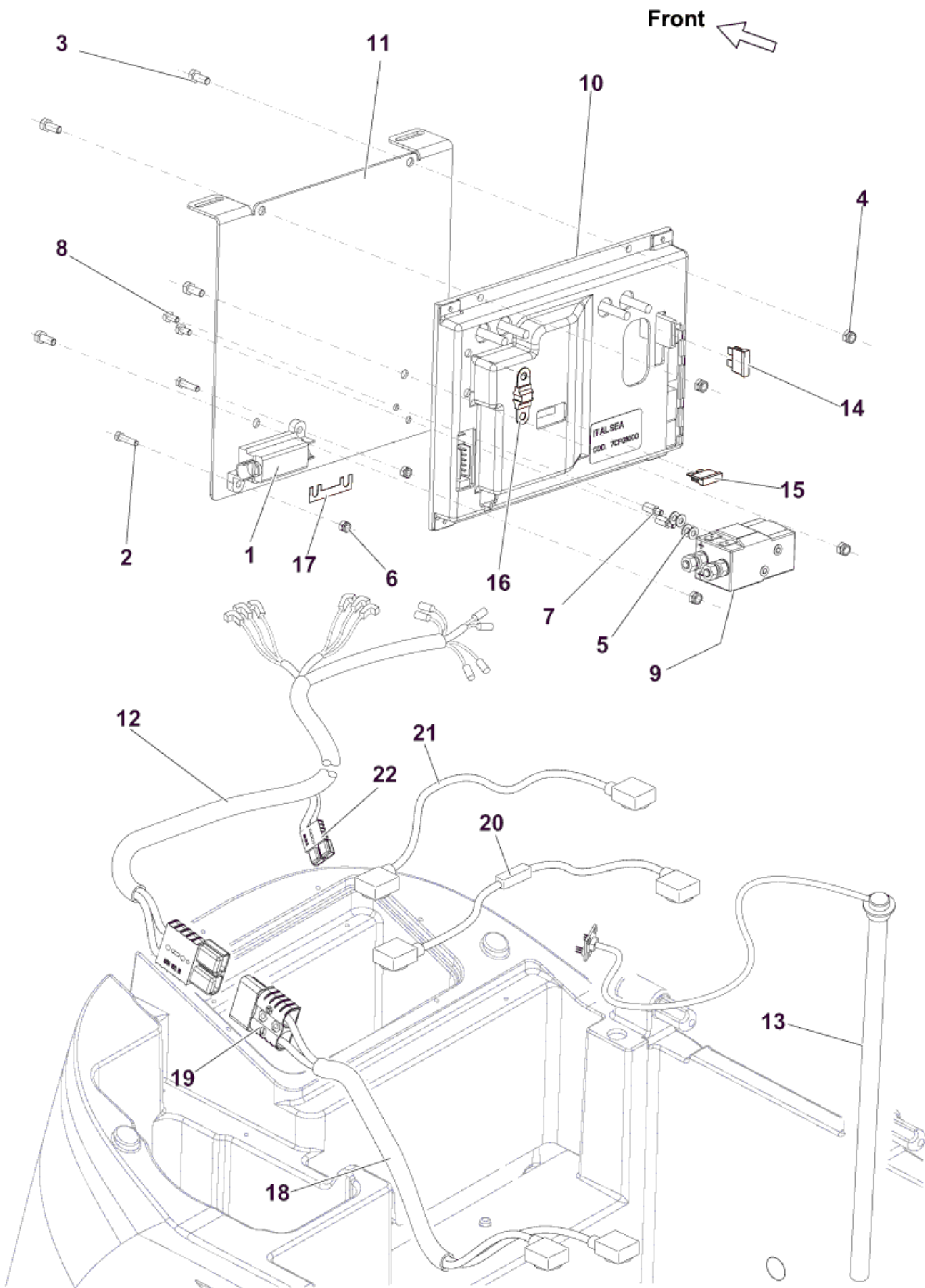
# Elektrokomponenten

BR 652 - 752 - 752C

12-03-2015

ET-Liste-Nr.  
BR652150

35



# Elektrokomponenten

BR 652 - 752 - 752C

12-03-2015

ET-Liste-Nr.  
BR652150

36

Pos	Artikelnr.	Me	Beschreibung	
1	145 8046 000	1	HOLDER FUSE	
9	9097208000	1	Relais	
10	9100000024	1	CARD ELECTRONIC TRACTION KIT	SEE TSB FC 2013-117
10	9100000183	1	CARD ELECTRONIC TRACTION/FUNCTIONS KIT	before SN 3510133204431
11	9097860000	1	PLATE FIXING ELECTRONIC CARD	
12	9098190000	1	HARNESS EL.COMPON.BOX	
12	9099681000	1	Kabelbaum	
13	9098897000	1	Drucksensor KIT	
14	145 8368 000	1	Sicherung 3A	
15	145 9853 000	1	Sicherung 15A	
16	9097830000	1	Sicherung 100A	
17	145 9854 000	1	Sicherung 50A	
18	9099694000	1	Kabelsatz Batterie	
19	9098762000	1	Stecker 120A ROT	
20	9098526000	1	Bastteriekabel	
21	9097590000	1	Batterieverbindungskabel	
22	9098761000	1	Stecker 50A ROT	
23	9098739000	1	HARDWARE ELECTRIC COMPONENTS K	Item 2-3-4-5-6-7-8
24	9099203000	1	CONNECTOR 3 WAYS WITH BRIDGE	

POSITIONS 12: 9098190000 before serial number 3510122204474 - SEE TSB IT 2012-087

POSITIONS 12: 9099681000 starting from serial number 3510122204474 - SEE TSB IT 2012-087

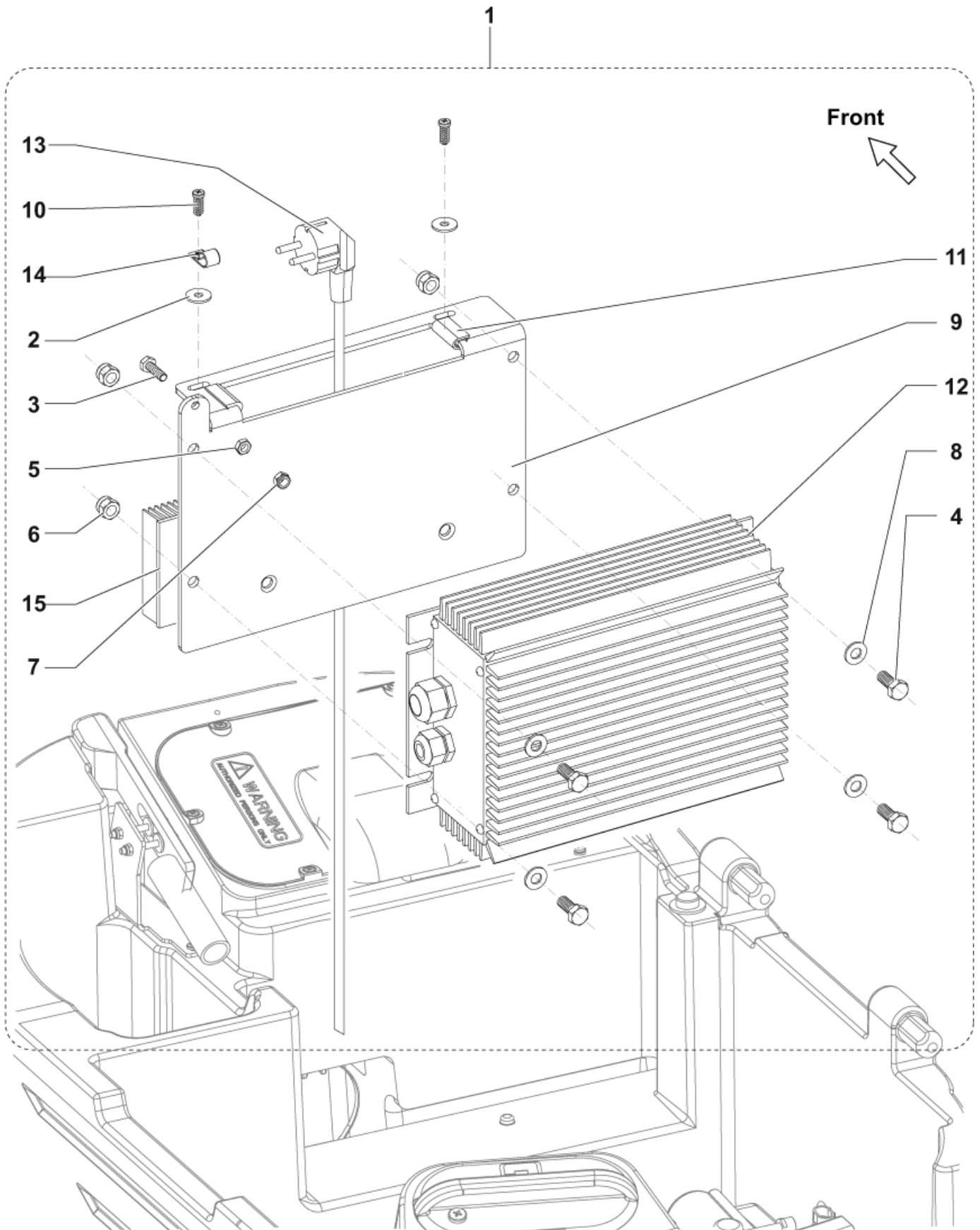
# Batterieladegerät

BR 652 - 752 - 752C

12-03-2015

ET-Liste-Nr.  
BR652160

37



# Batterieladegerät

BR 652 - 752 - 752C

12-03-2015

ET-Liste-Nr.  
BR652160

38

Pos	Artikelnr.	Me	Beschreibung
1	9098198000	1	Einbauladegerät zu BR 652/752/752C Optional - Inst.Instr. 9098215000
9	910000661	1	PLATE BATTERY CHARGER PKD
12	9099680000	1	BATTERY CHARGER 24V 20A SEE TSB IT 2012-088
13	909 5676 000	1	Kabel Ex. Plug
13	9098676000	1	Ladekabel mit Schuko
15	9098859000	1	HEATSINK

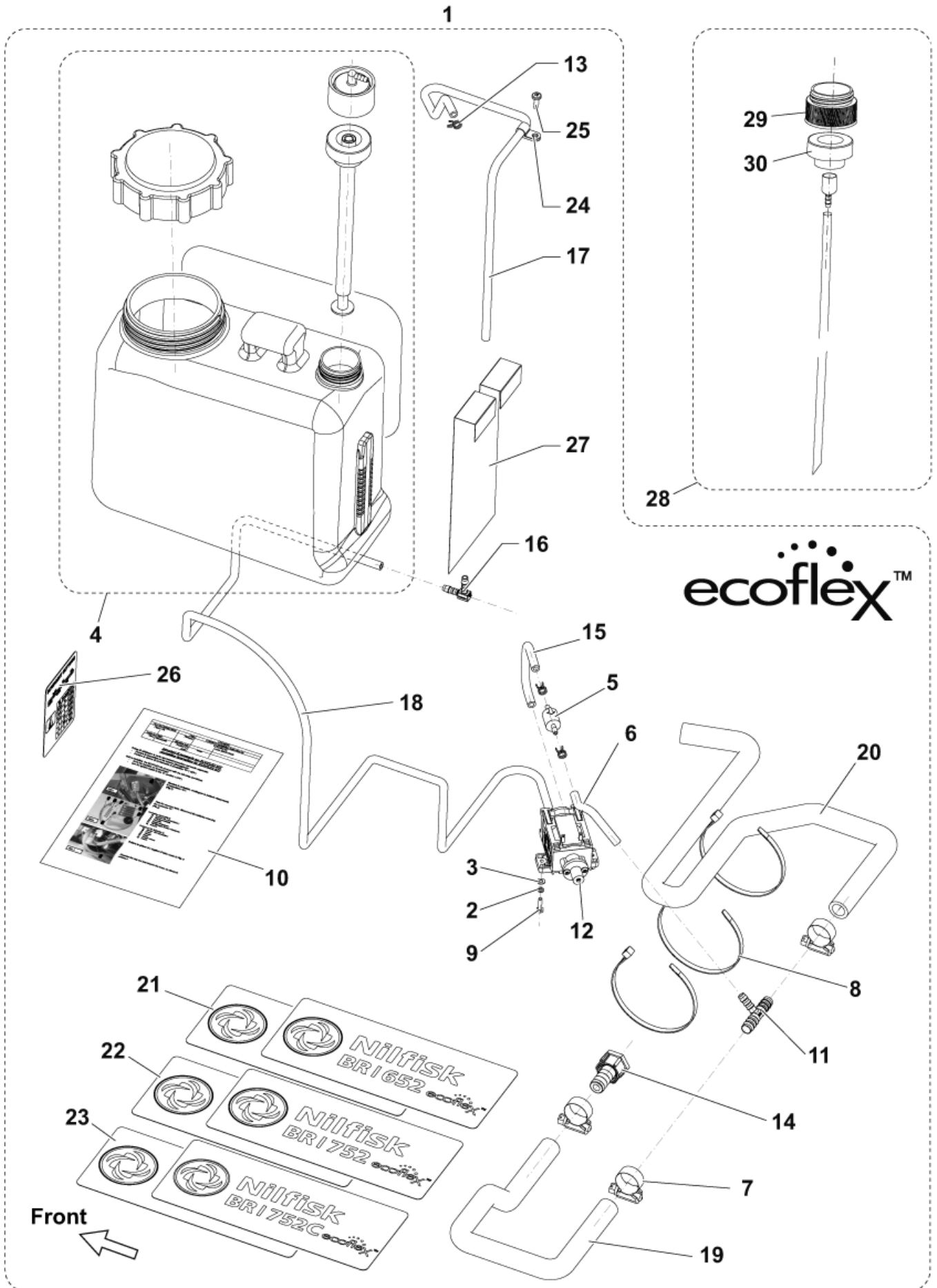
# ECOFLEX

BR 652 - 752 - 752C

12-03-2015

ET-Liste-Nr.  
BR652170

39



# ECOFLEX

BR 652 - 752 - 752C

12-03-2015

ET-Liste-Nr.  
BR652170

40

Pos	Artikelnr.	Me	Beschreibung	
1	9097818000	1	Ecoflex Kit	Optional - Inst.Instr. 9098219000
4	909 6903 000	1	EDS Behälter nachfüllbarBA 611	
5	56315522	1	Rückschlagventil EDS	
12	909 6183 000	1	EDS Pumpe BA551D/ BA611D	
28	9098025000	1	Reduzierstück f.	Optional
29	9097023000	1	Adapter f. Chemie Tank	
30	9097022000	1	Niveaufühler	
K1	9099948000	1	HOSES ECOFLEX SYSTEM KIT	Not Shown (pos.2-6-7-8-11-13-14-15-16-17-18-19-20-



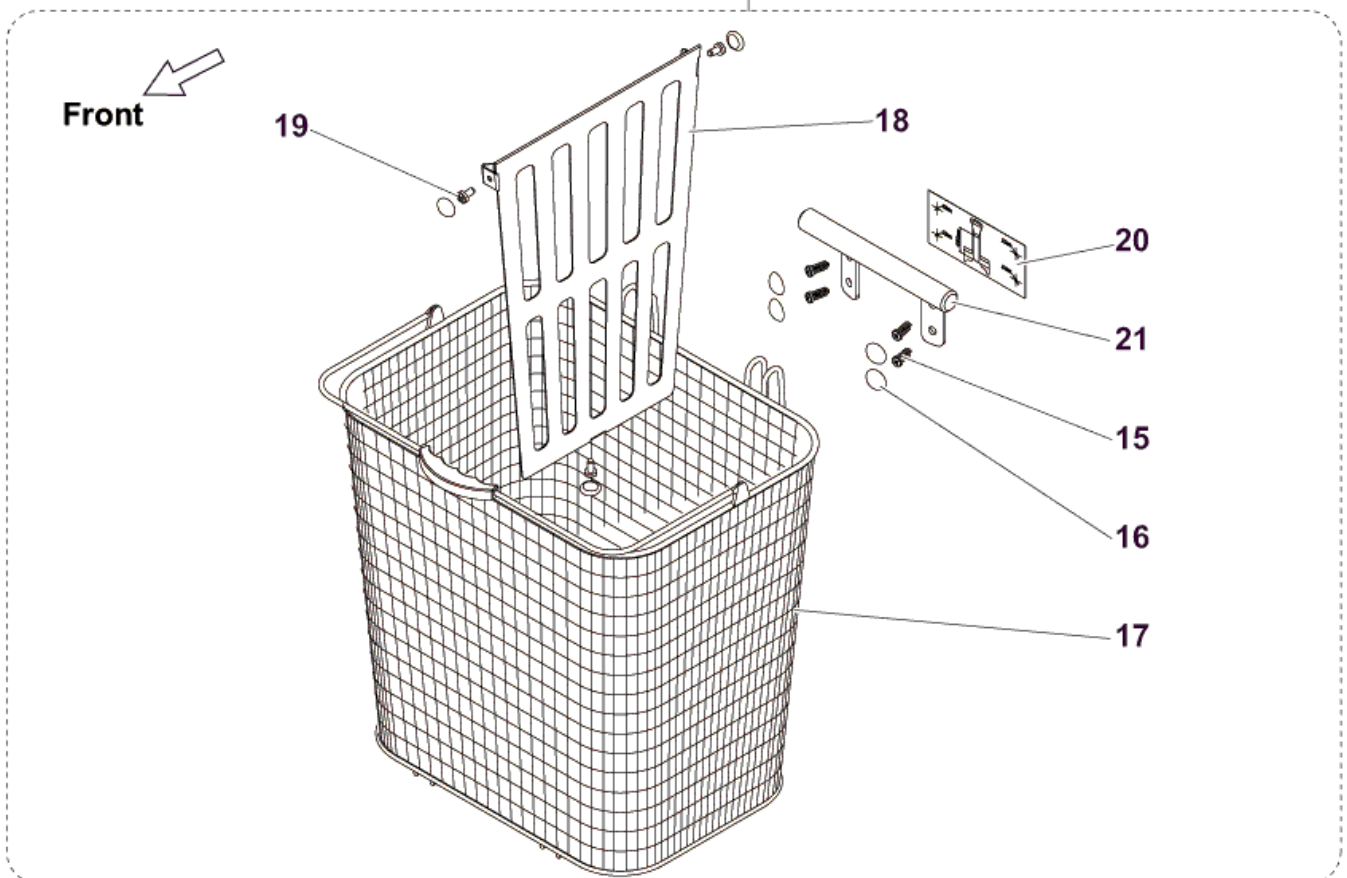
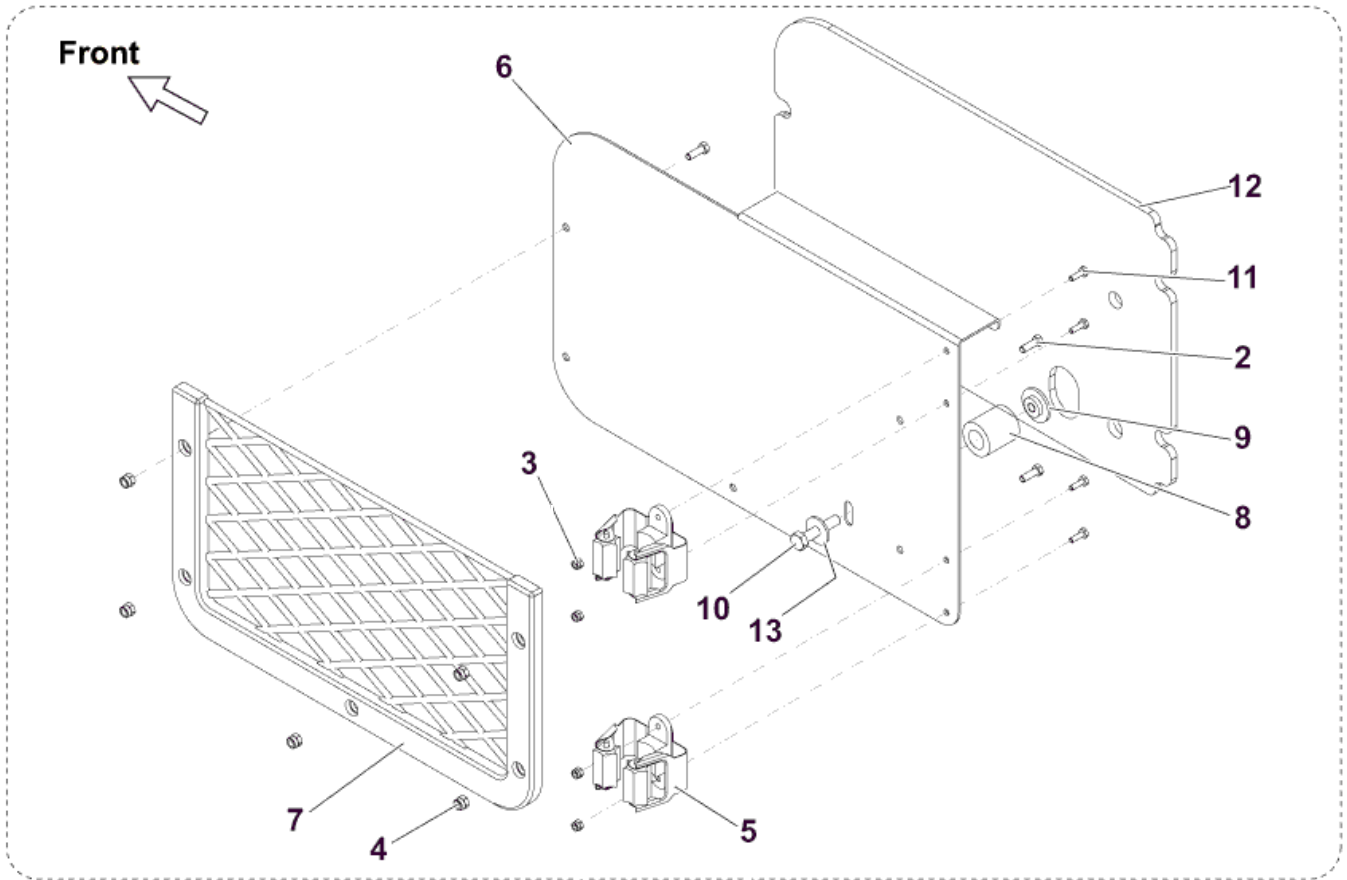
# MOP AND TRASH KIT - BASKET KIT

BR 652 - 752 - 752C

12-03-2015

ET-Liste-Nr.  
BR652180

41



# MOP AND TRASH KIT - BASKET KIT

BR 652 - 752 - 752C

12-03-2015

ET-Liste-Nr.  
BR652180

42

Pos	Artikelnr.	Me	Beschreibung	
1	9097815000	1	Mop und Müll SET	Optional
5	33017513	2	Halteklammer	
7	9097947000	1	NET DOCUMENT HOLDER	
14	9098480000	1	Ablagekorb Kit	Optional
17	9098250000	1	BASKET	

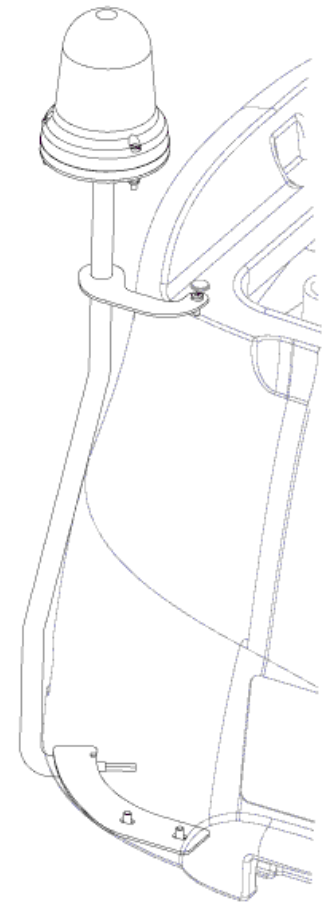
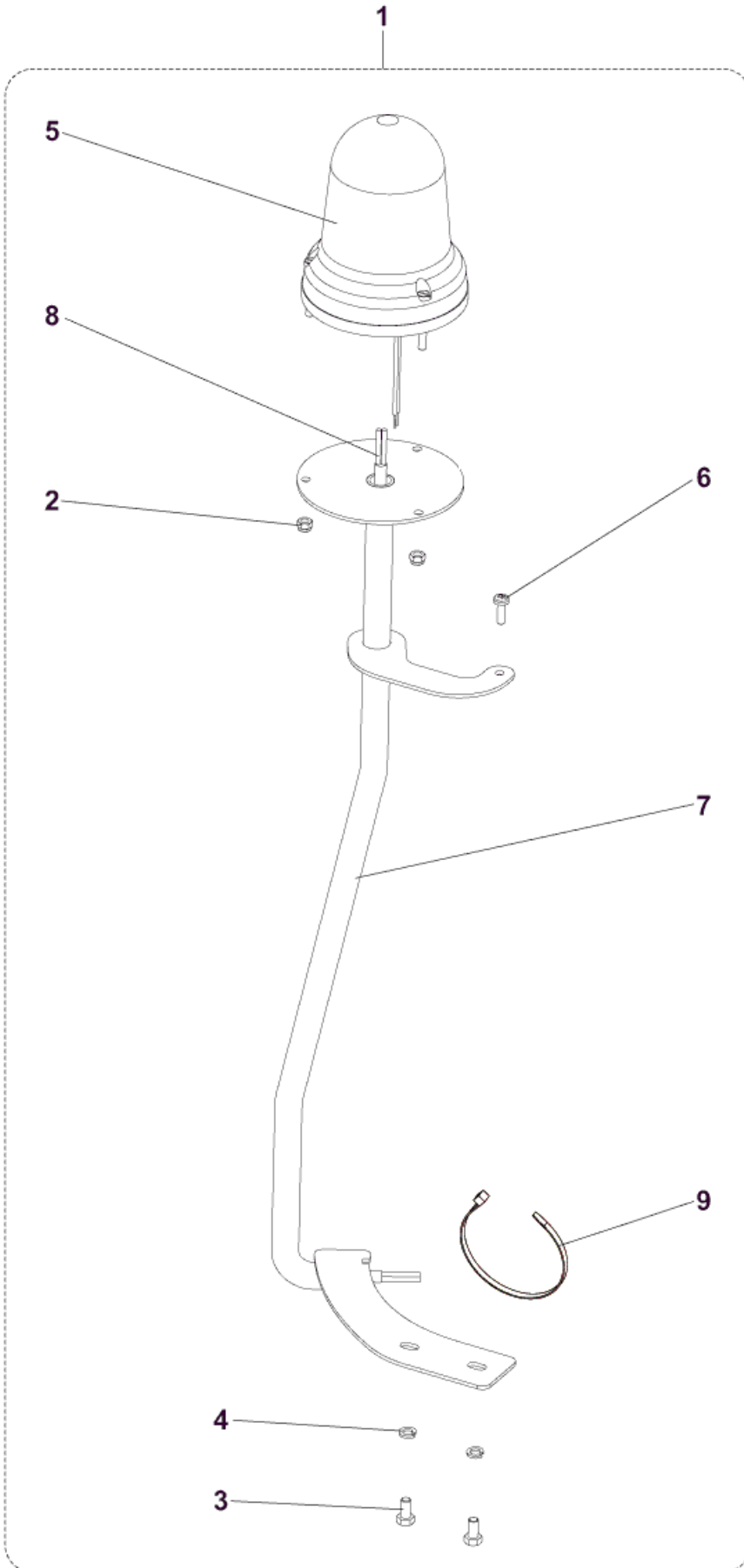
# FLASHING BEACON KIT - NOISE REDUCTION I

BR 652 - 752 - 752C

12-03-2015

ET-Liste-Nr.  
BR652190

43



→ Front

# FLASHING BEACON KIT - NOISE REDUCTION I

BR 652 - 752 - 752C

12-03-2015

ET-Liste-Nr.

BR652190

44

Pos	Artikelnr.	Me	Beschreibung	
1	9098164000	1	Rundumleuchte	Optional
5	33023155	1	BEACON FLASHING PKD	
10	9098772000	1	Schalldämpfer Kit	Optional - Inst.Instr. 9098773000

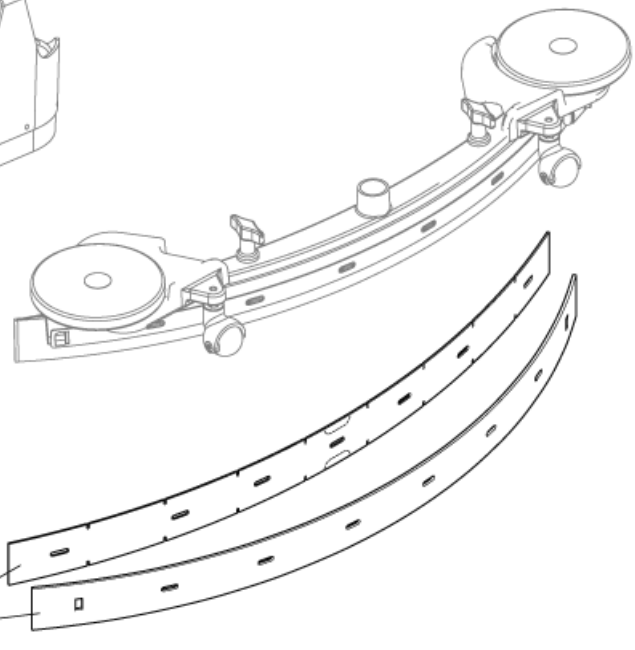
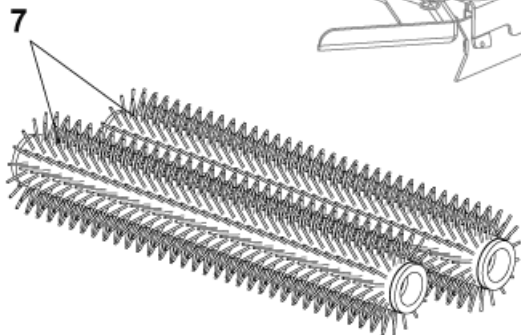
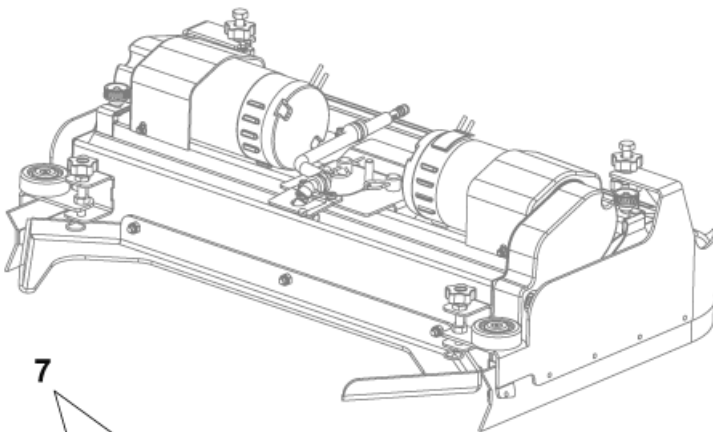
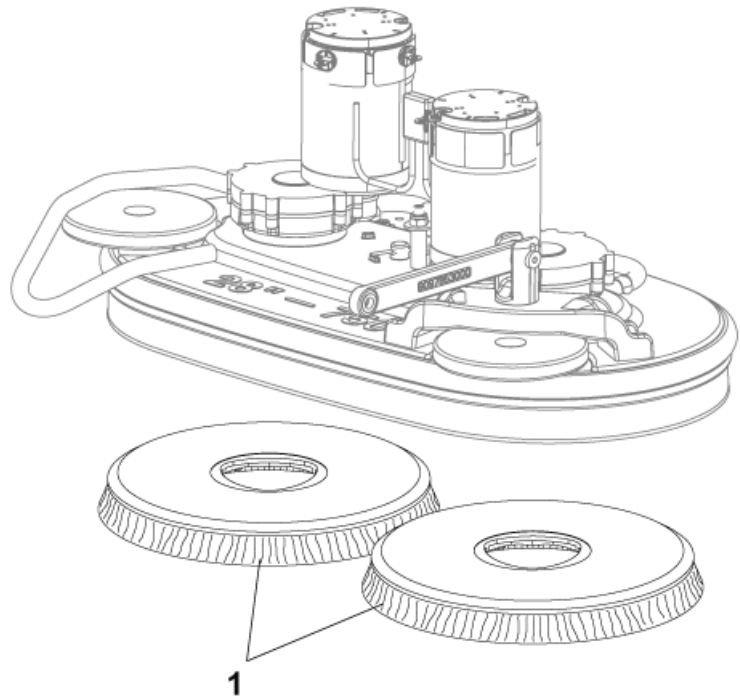
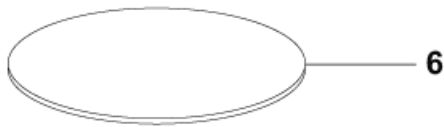
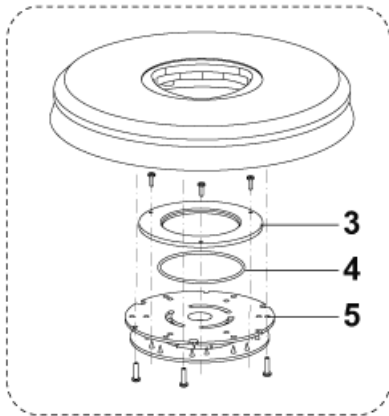
# Zubehör

BR 652 - 752 - 752C

12-03-2015

ET-Liste-Nr.  
BR652200

45



# Zubehör

BR 652 - 752 - 752C

12-03-2015

ET-Liste-Nr.  
BR652Z00

46

Pos	Artikelnr.	Me	Beschreibung
1	909 5332 000	2	BÜRSTE d.330 PROLENE PPL
1	909 5333 000	2	BÜRSTE d.370 PROLENE PPL
1	909 5334 000	2	Bürste d.330 MIDGRIT 240
1	909 5335 000	2	BÜRSTE d.370 MIDGRIT 240
1	909 5336 000	2	Bürste d.330 MIDLITE GRIT
1	909 5337 000	2	BRUSH d.370 MIDLITE GRIT
1	909 5338 000	2	BÜRSTE d.330 PROLITE
1	909 5339 000	2	Bürste d.370 PROLITE
1	909 5340 000	2	Bürste d.330 UNION MIX COMPLEXITY REDUCTION
1	909 5341 000	2	Bürste d.370 UNION MIX COMPLEXITY REDUCTION
2	909 5330 000	2	PAD HOLDER KIT CPL 330MM W/CENTER LOCK
2	909 5331 000	2	PAD HOLDER KIT CPL 355MM W/CENTER LOCK
3	L08603936	1	RING NYLON
4	L08603965	1	SEAL O-RING
5	56505195	1	Padverschluss mit Spange
6	10001910	2	Eco Pad 13, 330mm,schwarz
6	10001911	2	PAD 13 330MM ECO BLUE 5PCS
6	10001912	2	PAD 13 330MM ECO BROWN 5PCS
6	10001914	2	PAD 13 330MM ECO RED 5PCS
6	10001915	2	PAD 13 330MM ECO WHITE 5PCS
6	10001916	2	Eco Pad Black 14 355MM 5 Stk
6	10001917	2	PAD 14 355MM ECO BLUE 5PCS
6	10001918	2	PAD 14 355MM ECO BROWN 5PCS
6	10001919	2	Eco Pad 14, 355mm, grün
6	10001920	2	PAD 14 355MM ECO RED 5PCS
6	10001921	2	PAD 14 355MM ECO WHITE 5PCS
6	9100000142	2	PAD HOLDER FLAT 13 330MM
6	9100000143	2	PAD HOLDER FLAT 14 355MM
7	56412046	2	BÜRSTE POLYPROPYLENE 28"-RED
7	56412191	2	BÜRSTE SOFT NYLON 28"-YELLOW- COMPLEXITY REDUCTION
7	56412192	2	BÜRSTE HART NYLON 28"-NATURAL
7	56412193	2	BÜRSTE 180 GRIT 28"-BLUE/GREY
7	56412194	2	BRUSH 80 GRIT 28 BLACK COMPLEXITY REDUCTION
7	56412195	2	BÜRSTE 46 GRIT 28"-ORANG/BROWN
8	9097804000	1	Gummilippen Kit 890mm/35
8	9099211000	1	Sauglippenkit rot

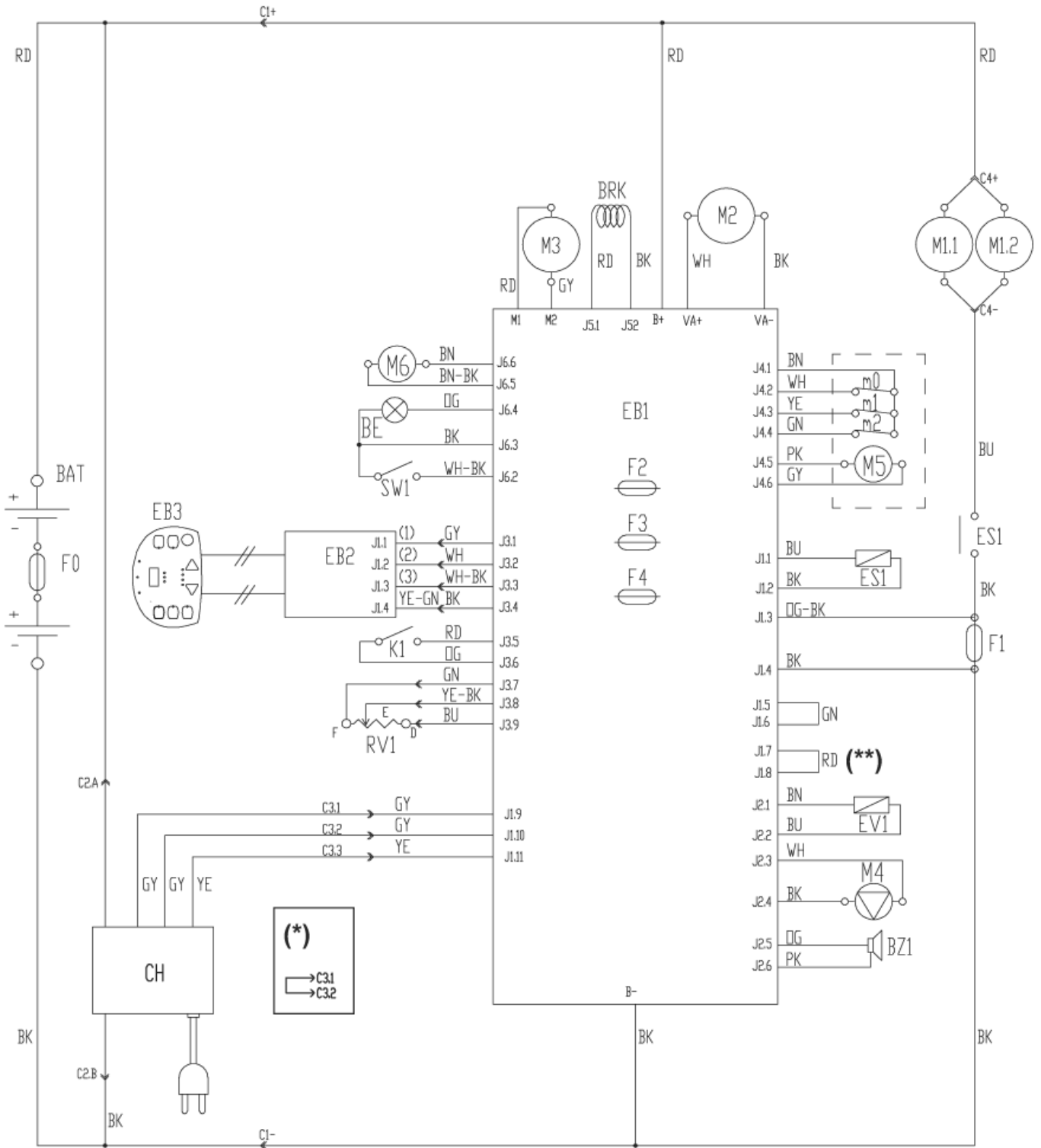
# VERDRÄHTUNGSPLAN

BR 652 - 752 - 752C

12-03-2015

ET-Liste-Nr.  
BR652206

47



(\*) W/O BATTERY CHARGER VERSION

(\*\*) ONLY FOR BR 652 / 752

(\*) VERSIONI SENZA CARICABATTERIE

(\*\*) SOLO PER BR 652 / 752

# VERDRAHTUNGSPLAN

BR 652 - 752 - 752C

12-03-2015

ET-Liste-Nr.  
BR652Z06

48

Pos	Artikelnr.	Me	Beschreibung
BE	33023155	1	BEACON FLASHING PKD
C1	9098762000	1	Stecker 120A ROT
C4	9098761000	1	Stecker 50A ROT
CH	9099680000	1	BATTERY CHARGER 24V 20A
F1	145 9854 000	1	Sicherung 50A
F2	9097830000	1	Sicherung 100A
F3	145 8368 000	1	Sicherung 3A
F4	145 9853 000	1	Sicherung 15A
K1	146 2888 000	1	Schlüsselschalter
M2	9099929000	1	Saugturbine 3ST 24V 420W
M3	910000684	1	MOTOR ELECTRIC 300W 24V PKD
M4	909 6183 000	1	EDS Pumpe BA551D/ BA611D
M5	910000683	1	ACTUATOR LINEAR 24V DC STRK 46MM PKD
M6	910000682	1	ACTUATOR LINEAR 24V DC STRK 100MM PKD
BRK	9098626000	1	Bremse, Elektromagnetisch
BZ1	909 6126 000	1	HUPE 5-32V
EB1	910000024	1	CARD ELECTRONIC TRACTION KIT
EB2	910000178	1	CARD ELECTRONIC FUNCTIONS KIT
EB3	9097986000	1	Aufkleber Bedienfeld
ES1	9097208000	1	Relais
EV1	909 6555 000	1	SOLENOID VALVE 24V
PR1	9098897000	1	Drucksensor KIT
RV1	9100001051	1	PEDAL SPEED CONTROL KIT
SW1	909 6242 000	1	Mikroschalter
M1.	910000309	1	REDUCTION GEARMOTOR 400W 24V KIT
M1.	9099858000	1	MOTOR ELECTRIC 600W 24V KIT



# EMPFOHLENE ERSATZTEILE

BR 652 - 752 - 752C

12-03-2015

ET-Liste-Nr.  
BR652210

49

Keine Zeichnung zur ET-Liste

# EMPFOHLENE ERSATZTEILE

BR 652 - 752 - 752C

12-03-2015

ET-Liste-Nr.  
BR652Z10

50

Pos	Artikelnr.	Me	Beschreibung
	145 0461 000	1	NUT WING M6
	145 8368 000	1	Sicherung 3A
	145 9853 000	1	Sicherung 15A
	145 9854 000	1	Sicherung 50A
	146 2887 000	1	KEY (2 PCS)
	146 2888 000	1	Schlüsselschalter
	1466146000	1	KEY 5X5X25 UNI6604A PKD
	909 5224 000	1	Schmutzfänger - DECK 650MM/26"
	909 5345 000	1	Spritzgummi BA 750L=1600mm
	909 5380 000	1	Kohlebürste KIT
	909 5761 000	1	Keilriemen
	909 6242 000	1	Mikroschalter
	909 6380 000	1	Befestigungskit
	909 6394 000	1	LATCH SQUEEGEE KIT
	909 6555 000	1	SOLENOID VALVE 24V
	909 6731 000	1	Keilriemen
	9097208000	1	Relais
	9097639000	1	HOLDER POLYGONAL LEFT 650-750-850MM/26-
	9097640000	1	HOLDER POLYGONAL RIGHT 650-750-850MM/26
	9097792000	1	Verbindungskabel
	9097796000	1	Lenksaule HÖheinstellung
	9097813000	1	Führung
	9097827000	1	SUPPORT SQUEEGEE UPPER
	9097830000	1	Sicherung 100A
	9097850000	1	Federdämpfer Schrubbdeck
	9097851000	1	Zentrierfeder
	9097931000	1	ROD EYE M10
	9097935000	1	Ablassschlauch
	9097960000	1	SKIRT SIDE CYL.DECK
	9097986000	1	Aufkleber Bedienfeld
	9098094000	1	Kabelbaum Lenksaule
	9098115000	1	Wasserfilter
	9098169000	1	HOSE SUCTION
	9098172000	1	Dichtung Deckel
	9098177000	1	Halteseil
	9098224000	1	Adapter Frischwassertank
	9098374000	1	Kabelbaum für Bürstendeck
	9098380000	1	STRAP FRONT SQUEEGEE 35 INC
	9098381000	1	STRAP SKIRT REAR RIGHT 35 INC.
	9098382000	1	Spannverschluss
	9098390000	1	SUPPORT SQUEEGEE DOWN
	9098407000	1	Antriebsrad
	9098430000	1	Kabelbaum Kit Antriebsrad

# EMPFOHLENE ERSATZTEILE

BR 652 - 752 - 752C

12-03-2015

ET-Liste-Nr.  
BR652Z10

51

Pos	Artikelnr.	Me	Beschreibung
	9098626000	1	Bremse, Elektromagnetisch
	9098627000	1	BRUSH CARBON KIT
	9098658000	1	HARNESS CYL.DECK
	9098676000	1	Ladekabel mit Schuko
	9098708000	1	SQUEEGEE LIFTING KIT
	9098709000	1	Kappe Frischwassertank
	9098716000	1	BRUSH CARBON KIT 2PCS
	9098722000	1	CENTRING SQUEEGEE KIT
	9098734000	1	BELT TRANSMISSION KIT
	9098737000	1	SUPPORT BRUSH KIT
	9099163000	1	Lenkrolle D42
0	9099680000	1	BATTERY CHARGER 24V 20A
	9099855000	1	BLADES PU 890MM/35 KIT
	9099858000	1	MOTOR ELECTRIC 600W 24V KIT
	9099929000	1	Saugturbine 3ST 24V 420W
	910000178	1	CARD ELECTRONIC FUNCTIONS KIT
0	910000183	1	CARD ELECTRONIC TRACTION/FUNCTIONS KIT before SN 3510133204431
	910000309	1	REDUCTION GEARMOTOR 400W 24V KIT
	910000682	1	ACTUATOR LINEAR 24V DC STRK 100MM PKD
	910000683	1	ACTUATOR LINEAR 24V DC STRK 46MM PKD
	910000684	1	MOTOR ELECTRIC 300W 24V PKD
0	910000703	1	HOSE FILLING PKD
0	910000772	1	WHEEL D.254 80SH GREY PKD
	L08603949	1	Kohlebürste SET STÜCK