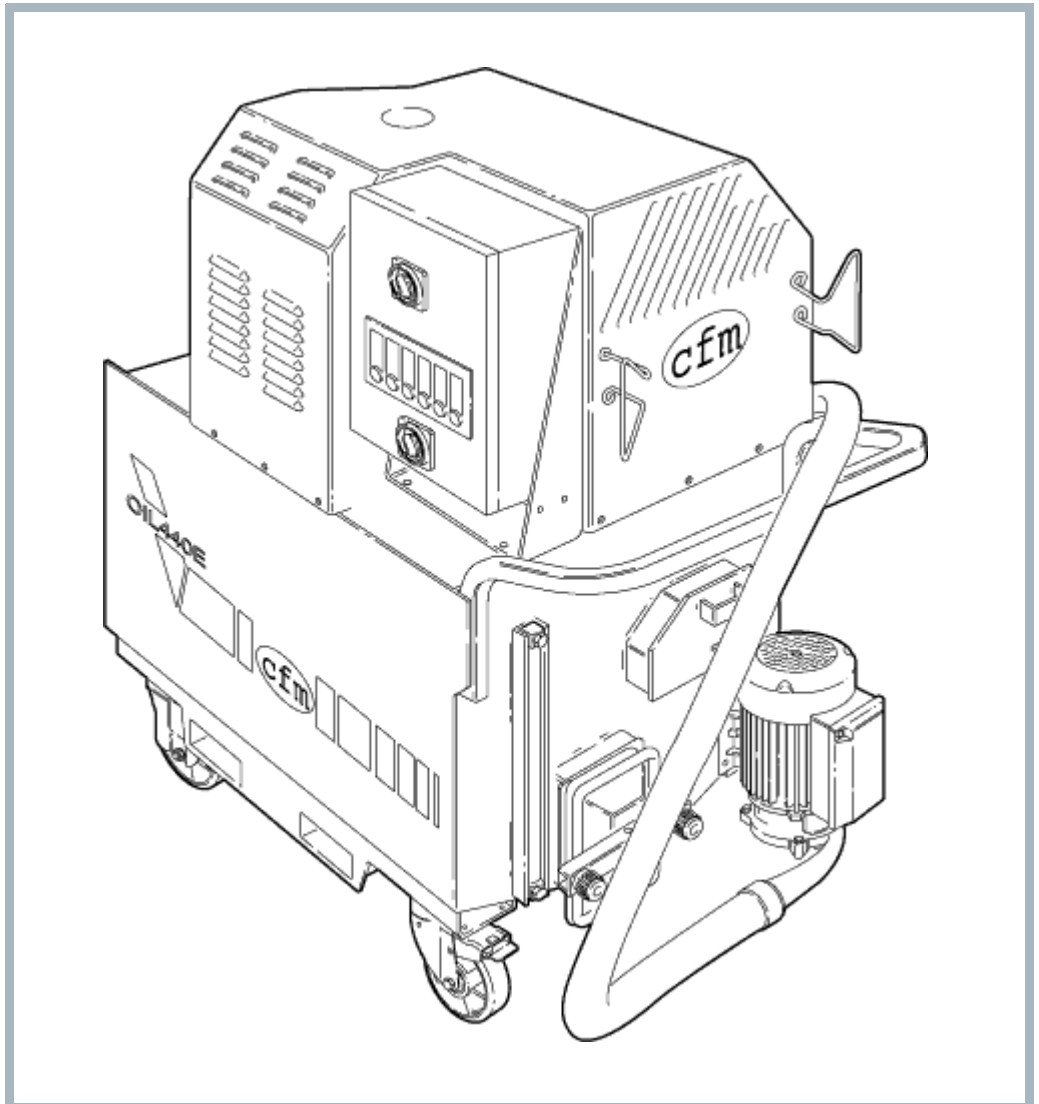


OIL 675

Model:
OIL 675



Part List US-English

25-02-2015

Table of Contents

OIL 675

Frame	3
Container unit	5
Anti-splash filter	7
Liquid discharging system	9
Suction unit	11
Intake unit	13
Electric board	15

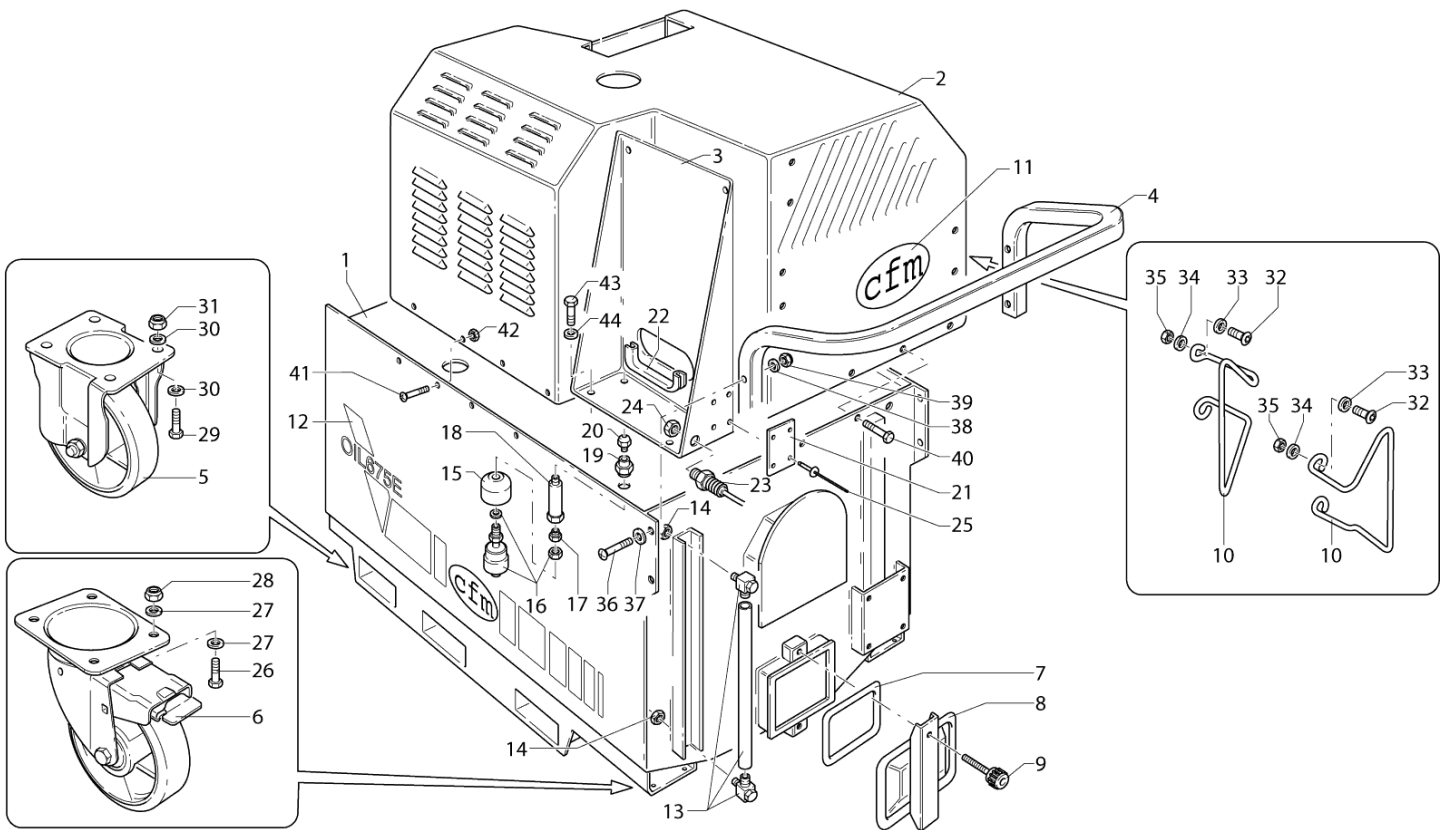
Frame

OIL 675

25-02-2015

Part List ID
OIL67502

3



Frame

OIL 675

25-02-2015

Part List ID
OIL67502

4

Pos	Part no.	Qty	Description
5	Z8 40241	2	FIXED WHEEL D200 OIL 440
6	Z8 40242	2	CASTOR D.200 PLATE OIL 440
7	Z8 40594	1	SEAL NOZZLE OIL 440
8	Z8 40593	1	NOZZLE COVER OIL 440 COVERxART290
10	Z8 16189	2	CABLE HOLDER MODEL T37
11	Z8 17348	2	LABEL CFM X D780 WHITE
12	Z8 17528	1	LABEL MODEL OIL 675
13	Z8 40586	1	LEVEL CHECK OIL440
14	Z8 40587	2	NUT 3/8
15	Z8 12286	1	CAP PROTECTION PROBE
16	Z8 39545	1	SENS.MAGN.LIQ. D28 FLOATER NO-NC
18	Z58 40148	2	STUD FOR A128XR 1/4M-F
19	Z8 40729	1	SLEEVE 1/4 F/F
20	Z8 39819	1	CABLE GLAND PG7 PA
21	Z8 17015	1	3-PHASE PLATE ALUMINIUM
22	Z8 17084	1	PROFILE U SEAL
23	Z8 39099	1	CABLE GLAND PG21 PA SPRING
24	Z8 39569	1	METAL RING NUT PG21

Container unit

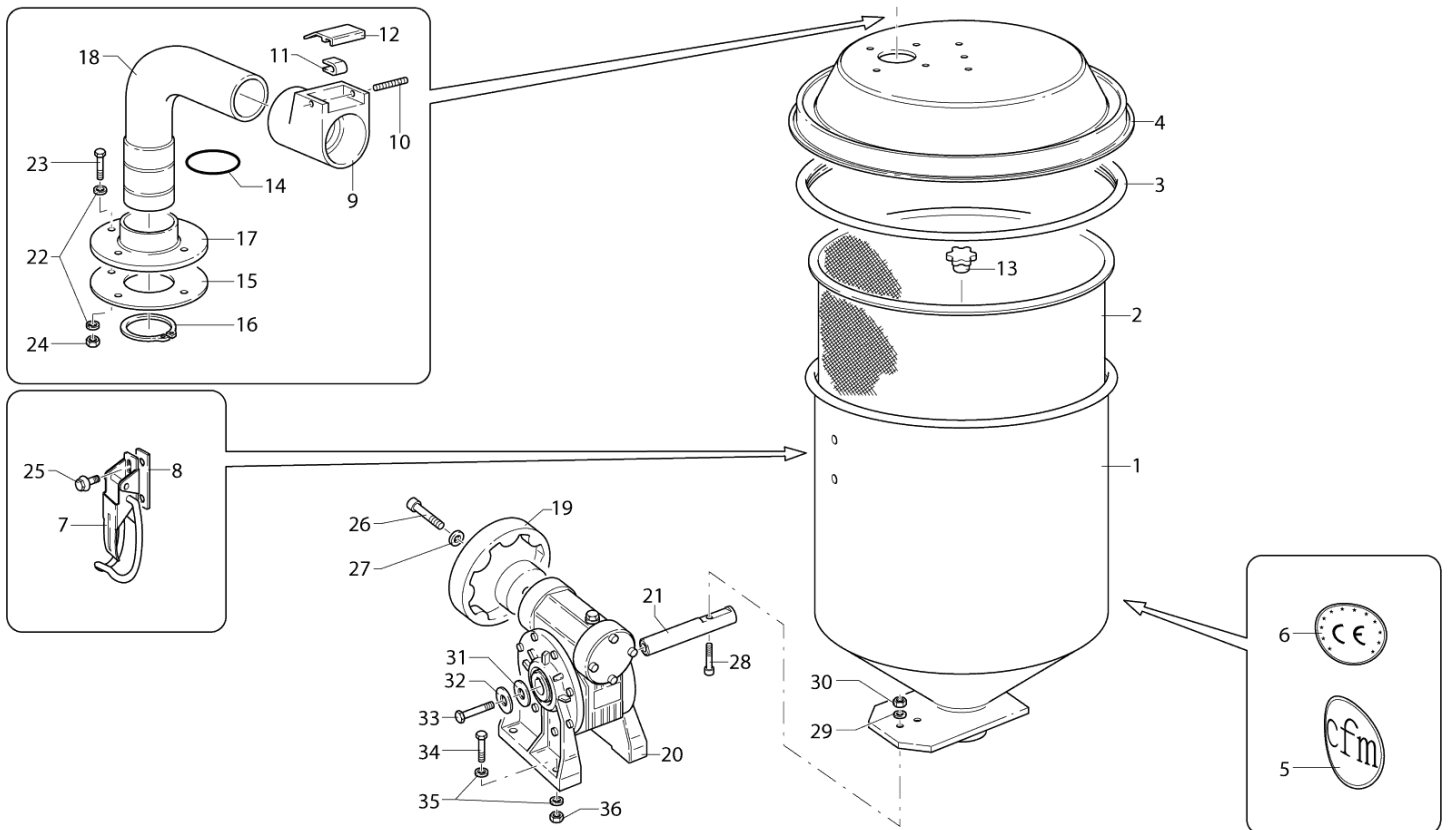
OIL 675

25-02-2015

Part List ID

OIL67504

5



Container unit

OIL 675

25-02-2015

Part List ID
OIL67504

6

Pos	Part no.	Qty	Description
2	Z8 30178	1	PERF.CONTAINER D435x380 FE OIL
3	Z8 17459	1	FILTER SEAL D460 OIL TIGHT
4	Z8 31049	1	CAP D460 FE HOLE D70 MAN.FILTER SHAKER
5	Z8 17083	1	GREEN LABEL CFM BIG GREEN
6	Z8 17349	1	CE MARK LABEL
7	Z8 36028	2	CAP LEVER CLOSURE FE
8	Z8 18010	2	HOOK HOLDER PLATE
10	Z8 38020	2	ELASTIC PIN 3X16
11	Z8 13010	2	SPRING INLET D50
12	Z8 32544	1	PUSHB. INLET 70 INOX
13	Z8 40576	1	KNOB D60 M10 NO HOLE
14	Z8 17006	1	INLET SEAL D70
15	Z8 32006	1	BENT COUPL. D70 FL120ZINC PLAT
16	Z8 40254	1	TILTING HANDWHEEL OIL 440
17	Z8 56011	1	GEARBOX EMPTYING OIL 440
18	Z8 14190	1	PIN REDUCTION UNIT OIL 440
34	Z8 25056	1	STRAIGHT INLET D70 COMPL.

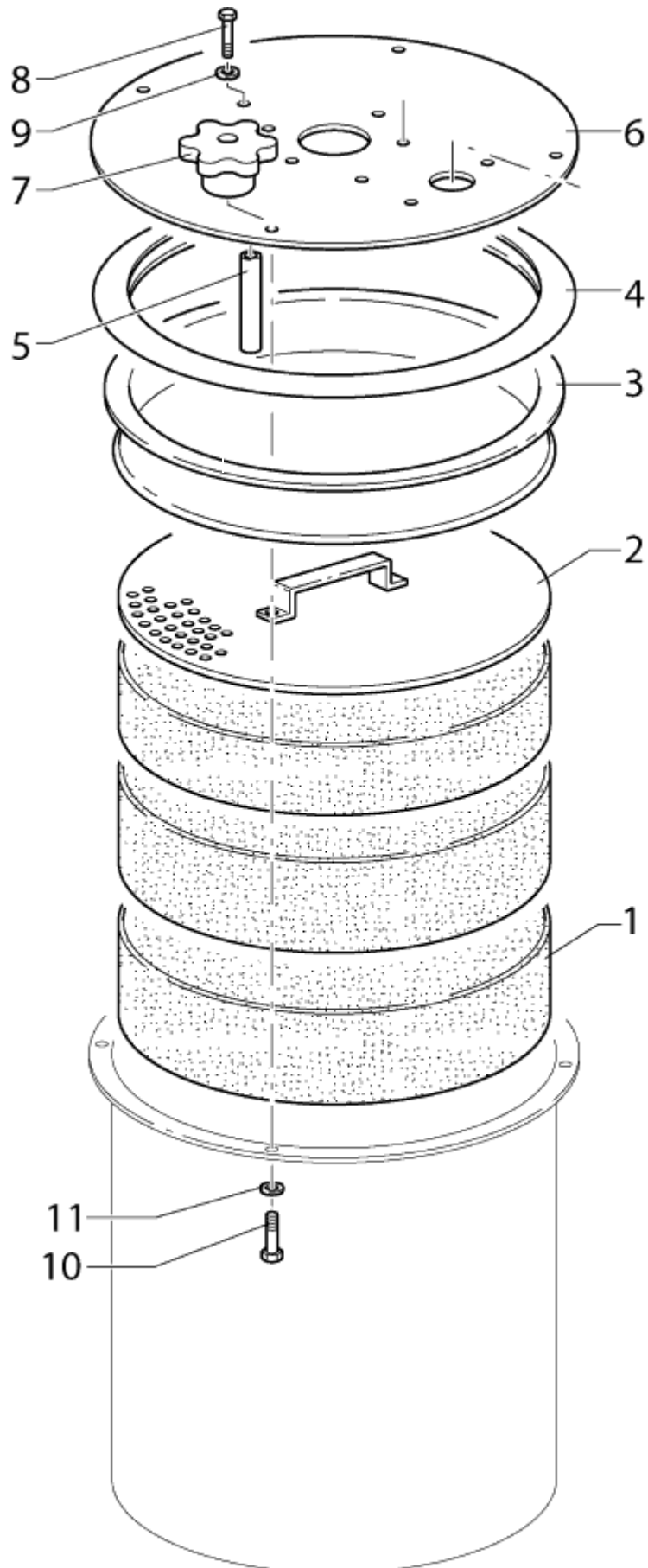
Anti-splash filter

OIL 675

25-02-2015

Part List ID
OIL67506

7



Anti-splash filter

OIL 675

25-02-2015

Part List ID

OIL67506

8

Pos	Part no.	Qty	Description
1	Z8 17257	4	FILTER X STEAMS OIL 440
2	Z8 12034	2	SIFTER D280 HOLES D5 Z.PLT.
3	Z8 15001	1	FILTER HOLDER RING D280 FE
4	Z8 17024	1	FILTER SEAL D280 BLACK
5	Z8 14506	3	SPACER D10X90 OIL220
7	Z8 40576	4	KNOB D60 M10 NO HOLE

Liquid discharging system

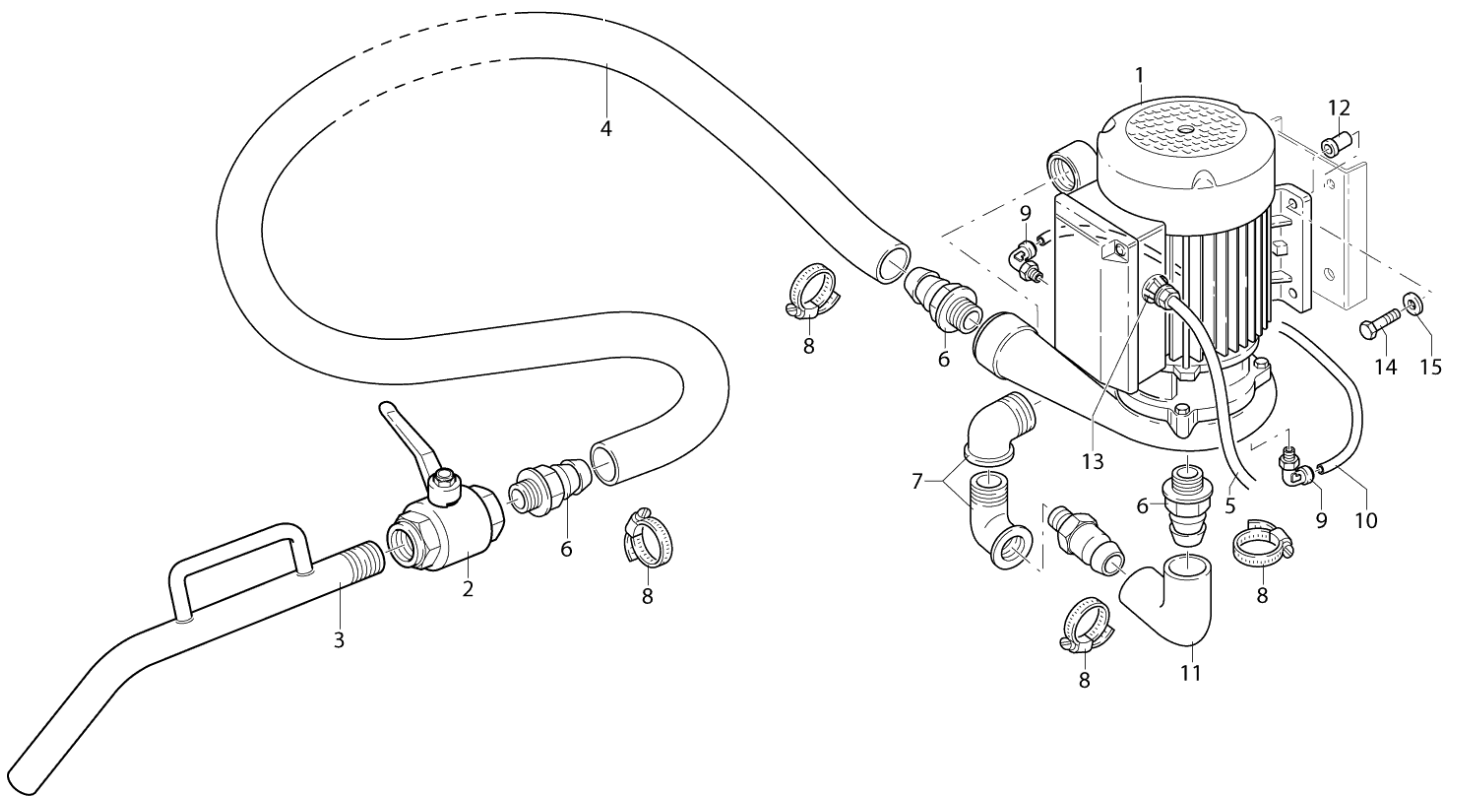
OIL 675

25-02-2015

Part List ID

OIL4408

9



Liquid discharging system

OIL 675

25-02-2015

Part List ID

OIL4408

10

Pos	Part no.	Qty	Description
1	Z8 56026	1	3-PH PUMP KW 0.55xOIL 675
2	Z8 40375	1	BALL VALVE 1 1/2 F/F
3	Z8 32434	1	CONNECTION EJCT.OIL 1 1/2 D40
4	Z8 24134	1	TUBE D40 OILTIGHT TRANSPARENT
5	Z8 39797	1	CABLE 4G1.5 NEOPR. AL M
6	Z8 40588	4	TUBE HOLDER 1 1/2 D40 BRASS
8	Z8 40932	4	FASC.STRINGIT.33-53 INOX INOX 304
9	Z8 40743	2	CONNECTION BENT SWIVEL1/8MD8
10	Z8 40716	1	TUBE POLYURETHAN 6x4 BLUE
11	ZS08IM24003	1	FITTING D37 RUBBER
12	Z8 38036	4	THREADED INSERT M6
13	Z8 39208	1	CABLE GLAND PG11 PA

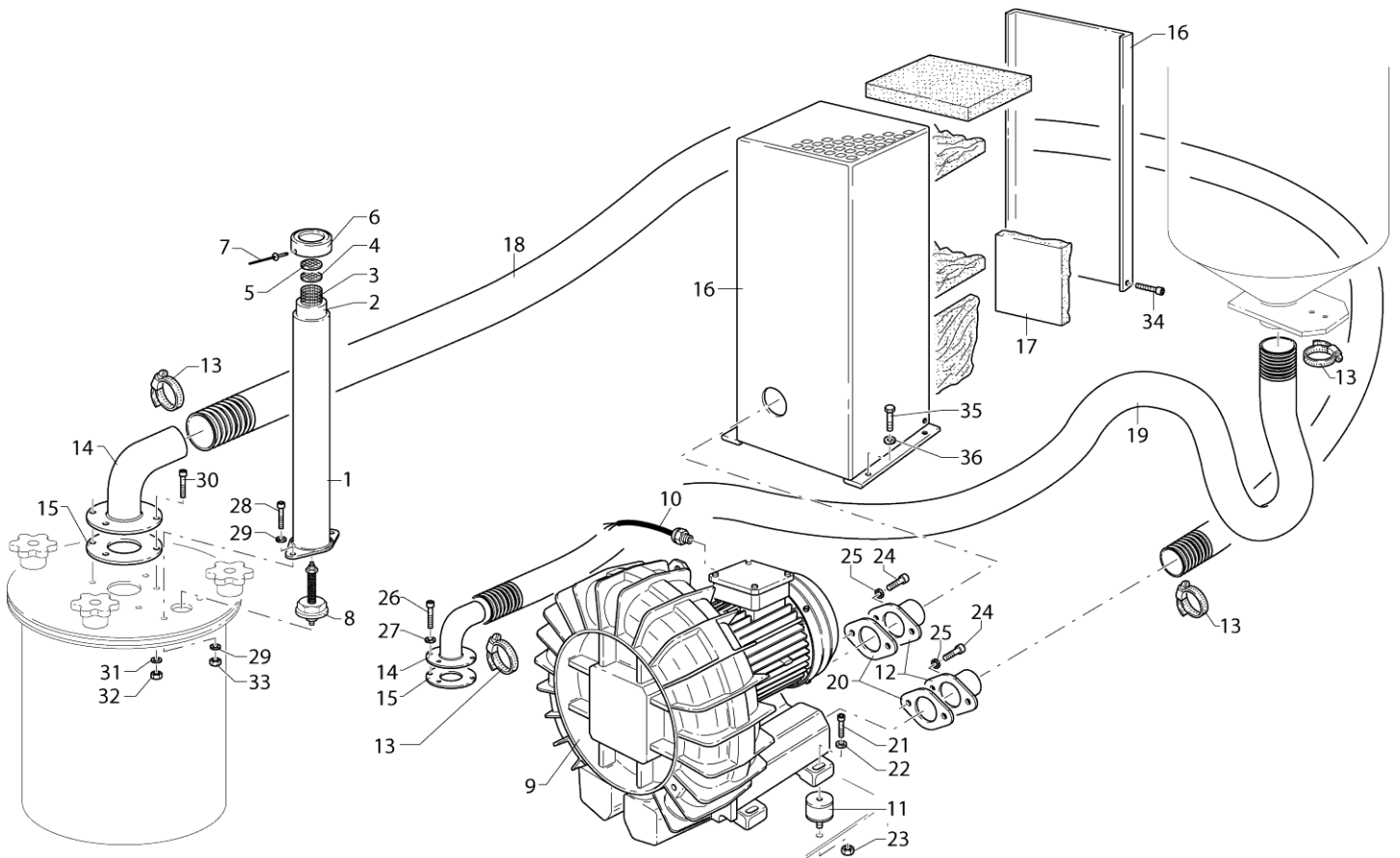
Suction unit

OIL 675

25-02-2015

Part List ID
OIL67510

11



Suction unit

OIL 675

25-02-2015

Part List ID
OIL67510

12

Pos	Part no.	Qty	Description
1	Z8 32034	1	MUFFLER D60 MOD. 3101
2	Z8 13044	1	MUFFLER SPONGE D60
3	Z8 13054	1	MUFFLER MESH TUBE D60
4	Z8 13063	1	NET D60 MESH 12x12
5	Z8 13062	1	NET D60 MESH 1.5x1.5
6	Z8 13068	1	MUFFLER COVER D60 FE
8	Z8 34024	1	RELIEF VALVE 1 1/2
10	Z8 39127	1	CABLE CONN.MOT. 7G4 FROR
11	Z8 40383	4	PAD D50 M10 M/F
13	Z8 40042	4	TIE D60-80
14	Z8 32006	2	BENT COUPL. D70 FL120ZINC PLAT
15	Z8 17006	2	INLET SEAL D70
16	Z8 32438	1	MUFFLER OIL 675 E
17	Z8 17532	1	KIT SOUNDPROOF OIL 675
18	Z7 24112	1	TUBE POLYURETHAN D70 IN METERS IN METERS
19	Z7 24112	1	TUBE POLYURETHAN D70 IN METERS IN METERS
20	Z8 17256	2	SEAL X CONNECTIONS HP18
37	Z8 32035	1	MUFFLER D60 MOD.3101 COMP

Intake unit

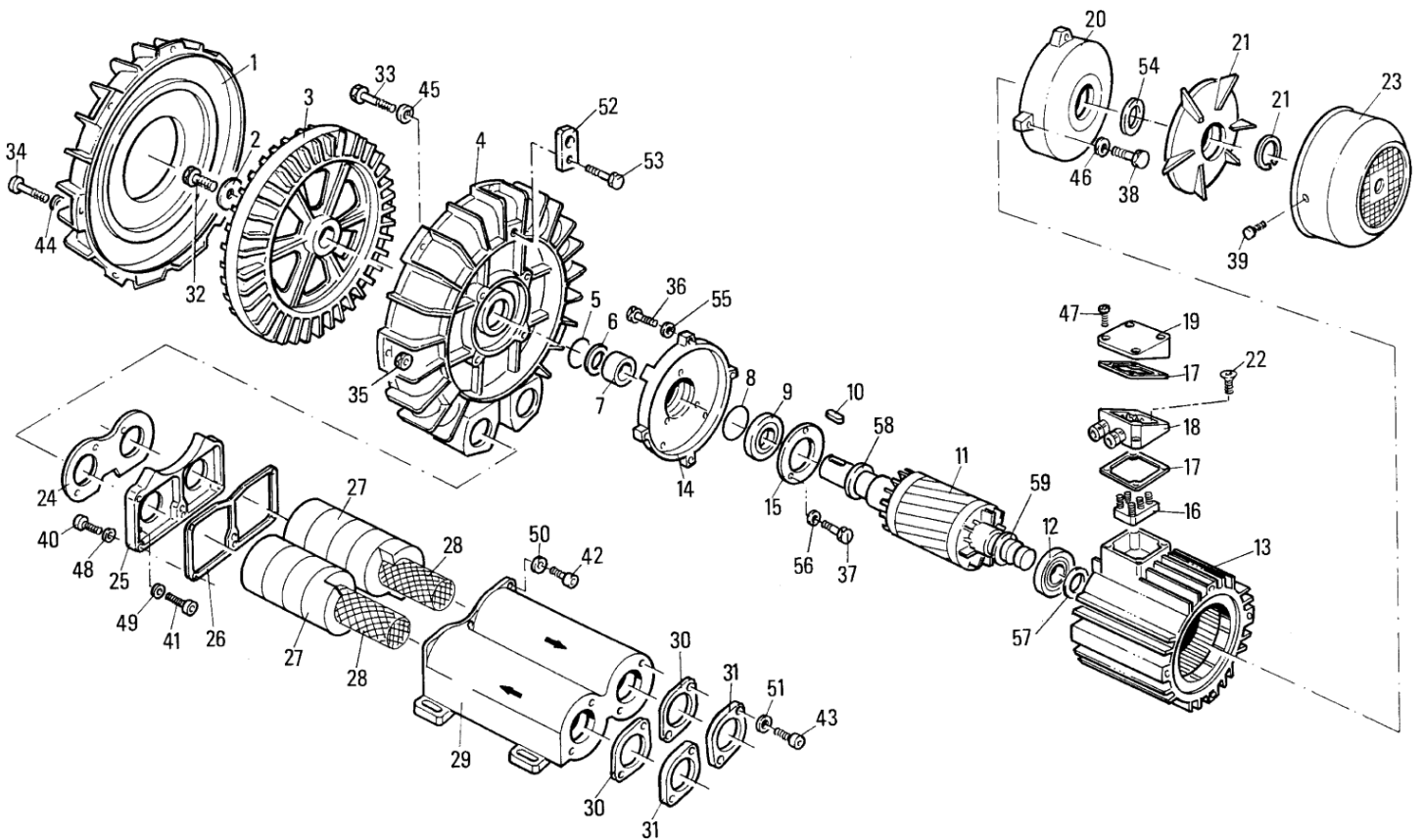
OIL 675

25-02-2015

Part List ID

OIL67512

13



Intake unit

OIL 675

25-02-2015

Part List ID
OIL67512

14

Pos	Part no.	Qty	Description
2	Z8 51666	1	STOP WASHER MODEL 58100
5	Z8 51602	1	RING 58100
6	Z8 51685	1	SPACER
8	Z8 51606	1	RING 58100-58150
9	Z8 51494	1	CENTRAL BALL BEARING FOR 58100
10	Z8 51538	1	KEY FOR MOD 58100
15	Z8 51701	1	FLANGE FOR WASHER 58100
20	Z8 51179	1	UPPER CAP FOR 58100-58150
21	Z8 51341	1	COOLING FAN 58100/58150
27	Z8 51371	2	SOUNDPROOF + MESH 58100
29	Z8 51306	1	CASING MUFFLER 58100
30	Z8 51446	2	SEAL DISCHARGE HP10
70	Z8 51861	1	MOTOR MOD. 58100 COMPLETE

Electric board

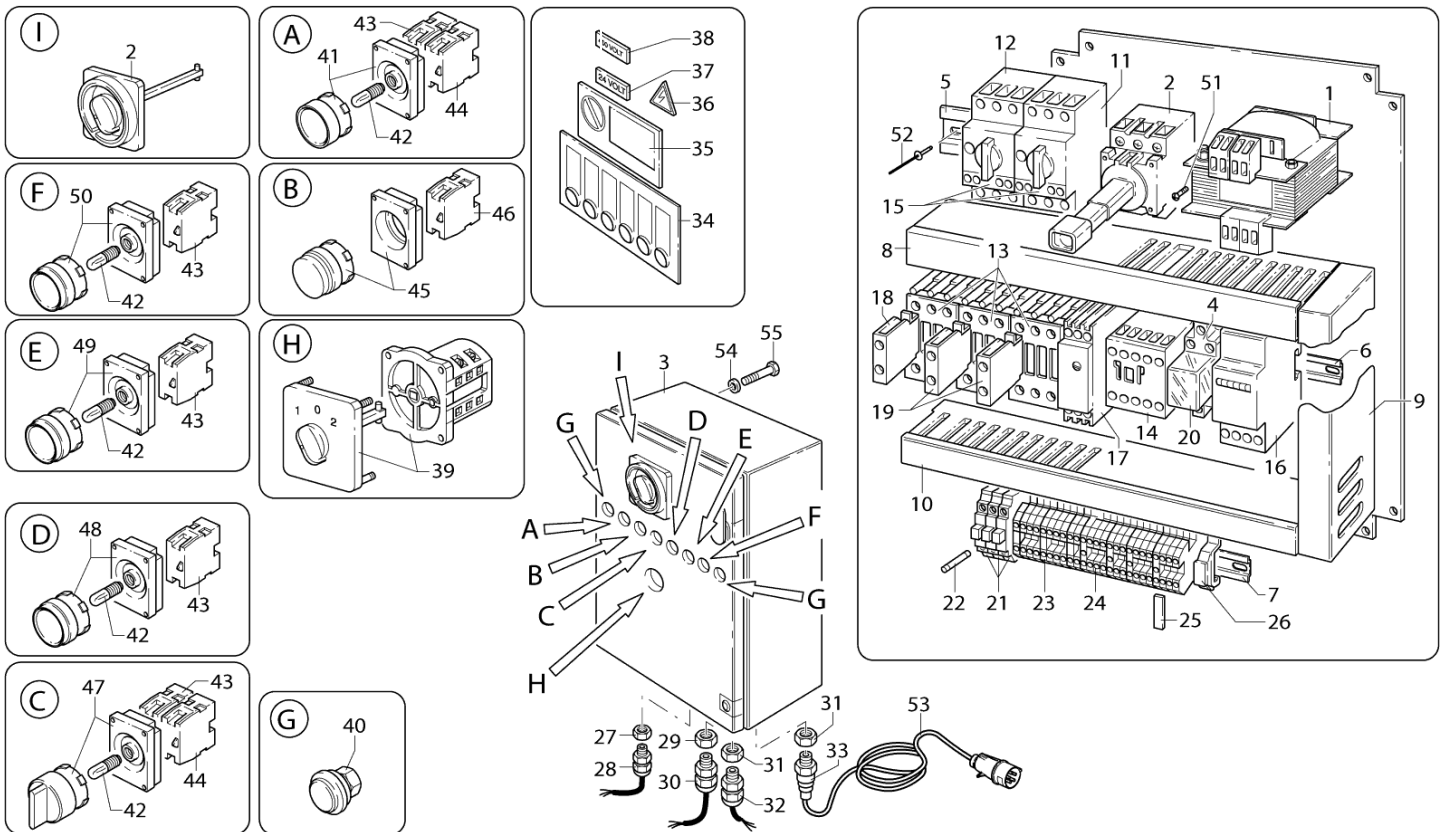
OIL 675

25-02-2015

Part List ID

OIL67514

15



Electric board

OIL 675

25-02-2015

Part List ID
OIL67514

16

Pos	Part no.	Qty	Description
1	Z8 39104	1	TRANSFORMER 63VA 400/24V
2	Z8 39556	1	MAIN SWITCH 32A IP65 S
3	Z8 39701	1	CASE 400x500x200 IP65 DRILLED DRW.
4	Z8 39118	1	BASE x RELAY 2 EXCHANGES PYF
5	Z8 39133	1	GUIDE OMEGA TS 35x7.5
6	Z8 39133	1	GUIDE OMEGA TS 35x7.5
7	Z8 39133	1	GUIDE OMEGA TS 35x7.5
8	Z8 39130	1	RACEWAY X C3
9	Z8 39130	1	RACEWAY X C3
10	Z8 39130	1	RACEWAY X C3
11	Z8 39677	1	CIRCUIT BREAKER KLOCK. 1.6-2.5 A PKZM0
12	Z8 39682	1	CIRCUIT BREAKER KLOCK. 16-20 A PKZM0
13	Z8 39100	3	CONTACTOR KW5.5 24VAC SIRIUS S0
14	Z8 39281	1	CONTACTOR KW4 24VAC 1NO SIRIUS S00
15	Z8 39684	2	CONTACTS AUX OVERL.CUTOUT KLOC
16	Z8 39693	1	HOURS COUNTER TO GUIDE 24VAC
17	Z8 39119	1	TIMER S/T 0-60 SEC. 24-110-230V
18	Z8 39366	1	CONTACT AUX CONTACTOR NO SIRIUS S2-S12
19	Z8 39367	2	CONTACT AUX CONTACTOR NC SIRIUS S2-S12
20	Z8 39259	1	RELAY 24VAC 2 EXCHANGES MY2
21	Z8 39244	3	TERMINAL FUSEHOLDER 1.5mmq S 5X20
22	Z8 39539	6	FUSE 2A 5x20 GLASS RAPID
23	Z8 39121	3	TERMINAL EARTH 6MMQ S
24	Z8 39120	10	TERMINAL LINE 6MMQ S
26	Z8 39296	2	TERMINAL STOP x GUIDE 35mm S
27	Z8 39565	1	METAL RING NUT PG7
28	Z8 39819	1	CABLE GLAND PG7 PA
29	Z8 39568	1	METAL RING NUT PG16
30	Z8 39055	1	CABLE GLAND PG16 PA
31	Z8 39569	2	METAL RING NUT PG21
32	Z8 39205	1	CABLE GLAND PG21 PA
33	Z8 39099	1	CABLE GLAND PG21 PA SPRING
36	Z8 17361	1	LABEL VOLTAGE ON
38	Z8 17089	1	LABEL 400V
39	Z8 39557	1	REVERSER COMP. 32 A IP65 BRM
40	Z8 39522	2	PLUG BLIND CONTROL PLATE D22
42	Z8 39114	5	LAMP BA9 V24
43	Z8 39113	5	LAMP HOLDER BA9 3SB3
44	Z8 39108	2	CONTACT NO PUSH B. 3SB3
45	Z8 39109	1	PUSHBUTTON RED 3SB3
46	Z8 39110	1	CONTACT NC PUSH B. 3SB3
47	Z8 39719	1	SELECTOR LIGHTNING GREEN 2 POSITIONS
48	Z8 39111	1	PILOT LIGHT WHITE D22 3SB3

Electric board

OIL 675

25-02-2015

Part List ID
OIL67514

17

Pos	Part no.	Qty	Description
49	Z8 39112	1	PILOT LIGHT RED D22 3SB3
50	Z8 39314	1	PILOT LIGHT YELLOW D22 3SB3
53	Z8 39026	1	CABLE SUP. 4G4 NE. SP32 9M MOD.3707/10