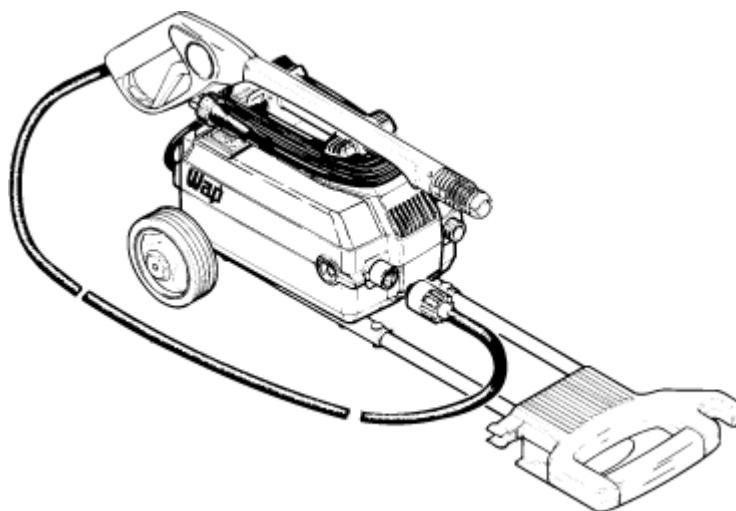


4800 automatic, 5200 automatic

Model:
4800-5200



Part List US-English

06-02-2015

Table of Contents

4800 automatic, 5200 automatic

Cabinet	3
Pump	5
Motor and electrical parts	8
Handle and wheels	10
Trigger	12
Handle	14

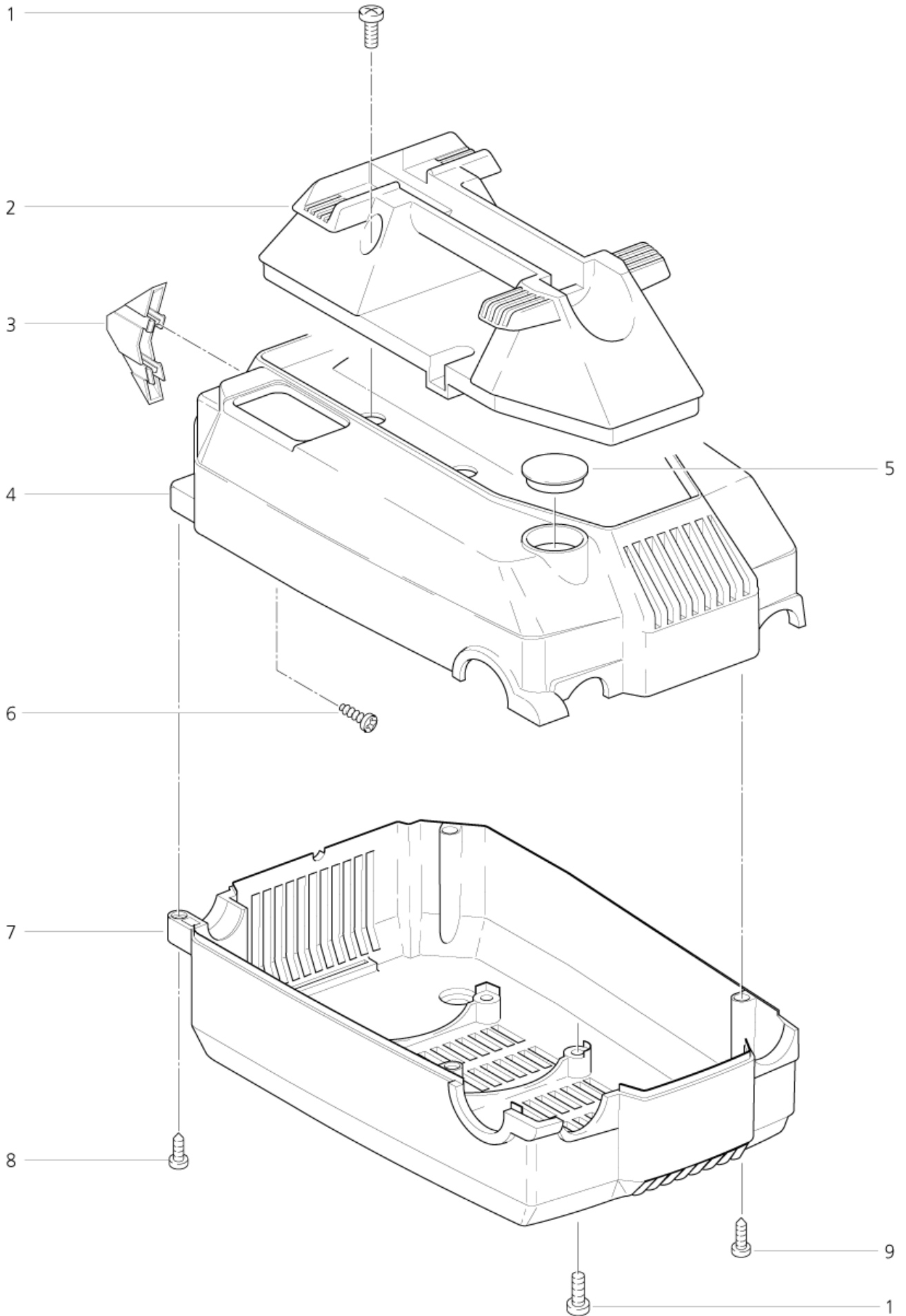
Cabinet

4800 automatic, 5200 automatic

06-02-2015

Part List ID
480002

3



Cabinet

4800 automatic, 5200 automatic

06-02-2015

Part List ID 480002

4

Pos	Part no.	Qty	Description
1	3348	1	SCREW M5X10
3	25380	1	FOOT
5	29576	1	COVER CAP D39/D33X8
6	4036	1	SHEET METAL SCREW 2.9X9
8	16861	1	SCREW 4X20 WN1412

Pump

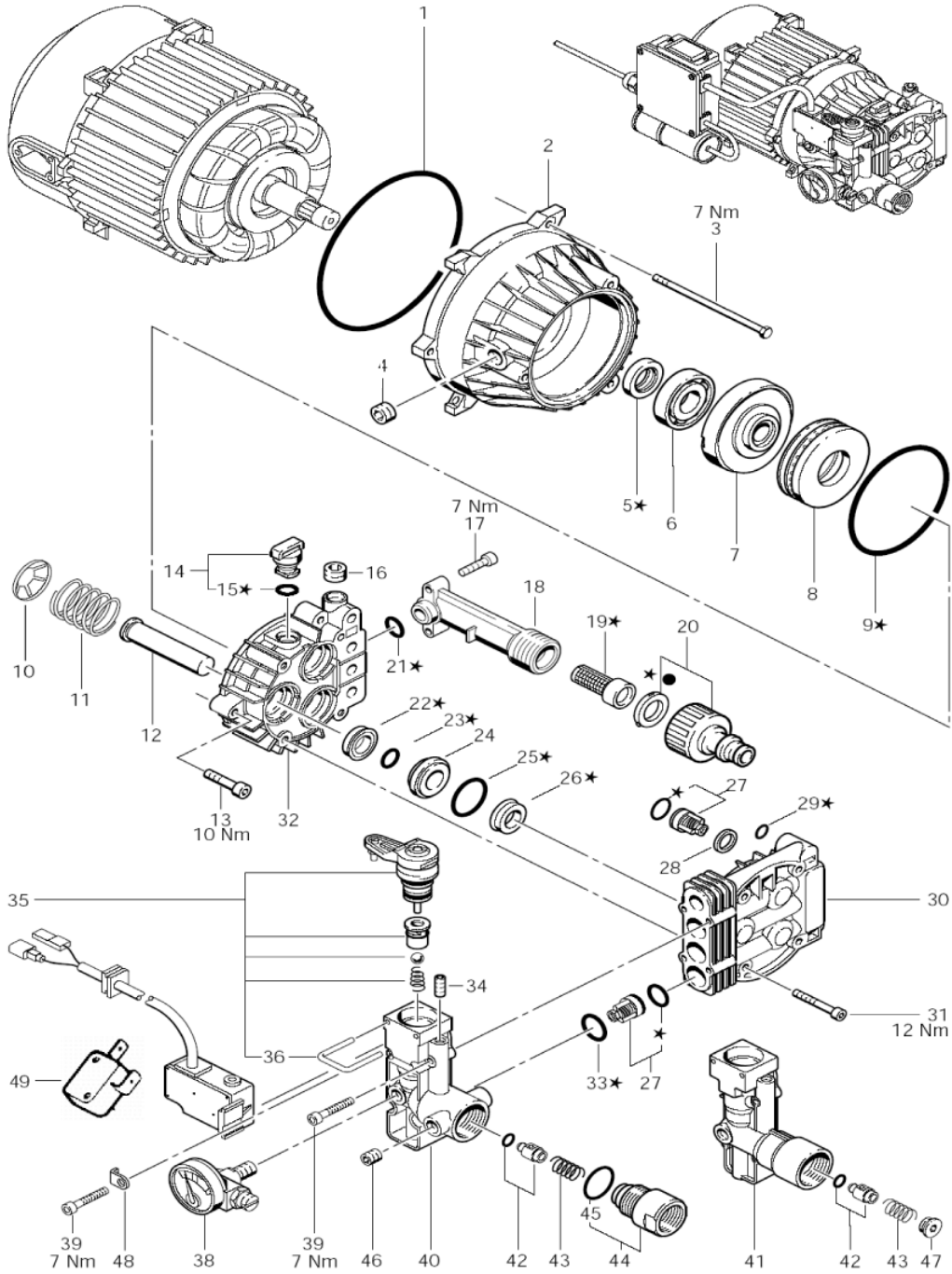
4800 automatic, 5200 automatic

06-02-2015

Part List ID
480004

5

4800
5200



Pump

4800 automatic, 5200 automatic

06-02-2015

Part List ID
480004

6

Pos	Part no.	Qty	Description
-	42800	1	GASKET SET FOR AXIAL PUMP
1	43201	1	GASKET FOR MOTOR 4100
2	44328	1	PUMP HOUSING
3	42761	1	HEXAGON HEAD CAP SCREW
4	6262	1	LOCKING SCREW R1/4 INCH DIN 906 ZN
5	42760	1	SHAFT SEAL RING AS 17X 28
6	29144	1	BEARING
7	44326	1	SWASH PLATE
7	54567	1	SWASH PLATE
8	42763	1	NEEDLE BEARING
9	48653	1	O-RING 80.6X2.62 ARP AS 568 A NBR70
10	42765	1	SHAFT CLAMPING RING FOR A
11	42766	1	SPRING FOR AXIAL PISTON
12	42767	1	PISTON
13	13600	1	CYLINDER SCREW M6X25 ISO 4762 ST 8.8/ ZN
14	43470	1	CAP FOR OIL FILLER POINT
15	42768	1	O-RING 11.2x1.8 DIN 3771 NBR70
16	6262	1	LOCKING SCREW R1/4 INCH DIN 906 ZN
17	3872	1	CYLINDER SCREW M5X20 ISO 4762 8.8 ZN
18	42568	1	WATER INTAKE
19	54649	1	SUCTION STRAINER Ø18X35.5 PP
20	8049	1	SE NOZZLE Ø13 3/4 INCH
21	31324	1	O-RING 12.5X1.8 DIN 3771 NBR65
22	42776	1	PACKING RING 14X22X5/7
23	47813	1	O-RING 14.0X2.65 DIN 3771 NBR90
24	42774	1	RING
25	42773	1	O-RING 23.6X1.8 DIN 3771 NBR70
26	42772	1	PACKING RING 14X22X6 AXIAL
27	42771	1	VALVE CPL FOR AXIAL PISTON
28	44522	1	WASHER 11 X1 D16 VA
29	7424	1	O-RING 8.76x1.8 DIN 3771 NBR70
30	43978	1	CYLINDER HEAD 4600 MS
31	9752	1	CYLINDER SCREW M6X35 ISO 4762 12.9 BK
32	42332	1	FLANGE WAP 4100
33	42779	1	O-RING 15.0X2.0 DIN 3770 NBR70
34	16704	1	SET SCREW M6X8 DIN 916 ST
35	29500	1	BYPASS CARTRIDGE
37	29504	1	PRESSURE CUT-OUT TOTAL ST
38	45070	1	PRESSURE GAUGE
39	3873	1	SCREW M5X30
40	29577	1	HOUSING CONTROL/SAFETY BL
41	29577	1	HOUSING CONTROL/SAFETY BL
42	54844	1	NON-RETURN VALVE

Pump

4800 automatic, 5200 automatic

06-02-2015

Part List ID
480004

7

Pos	Part no.	Qty	Description
43	43503	1	SPRING
44	29579	1	CONNECTION HP HOSE M24X1.
45	29582	1	O-RING 20.24X2.62 ARP AS 568 A NBR90
46	6261	1	LOCKING SCREW R1/8 INCH DIN 906 ZN
47	42786	1	SCREW PLUG M14

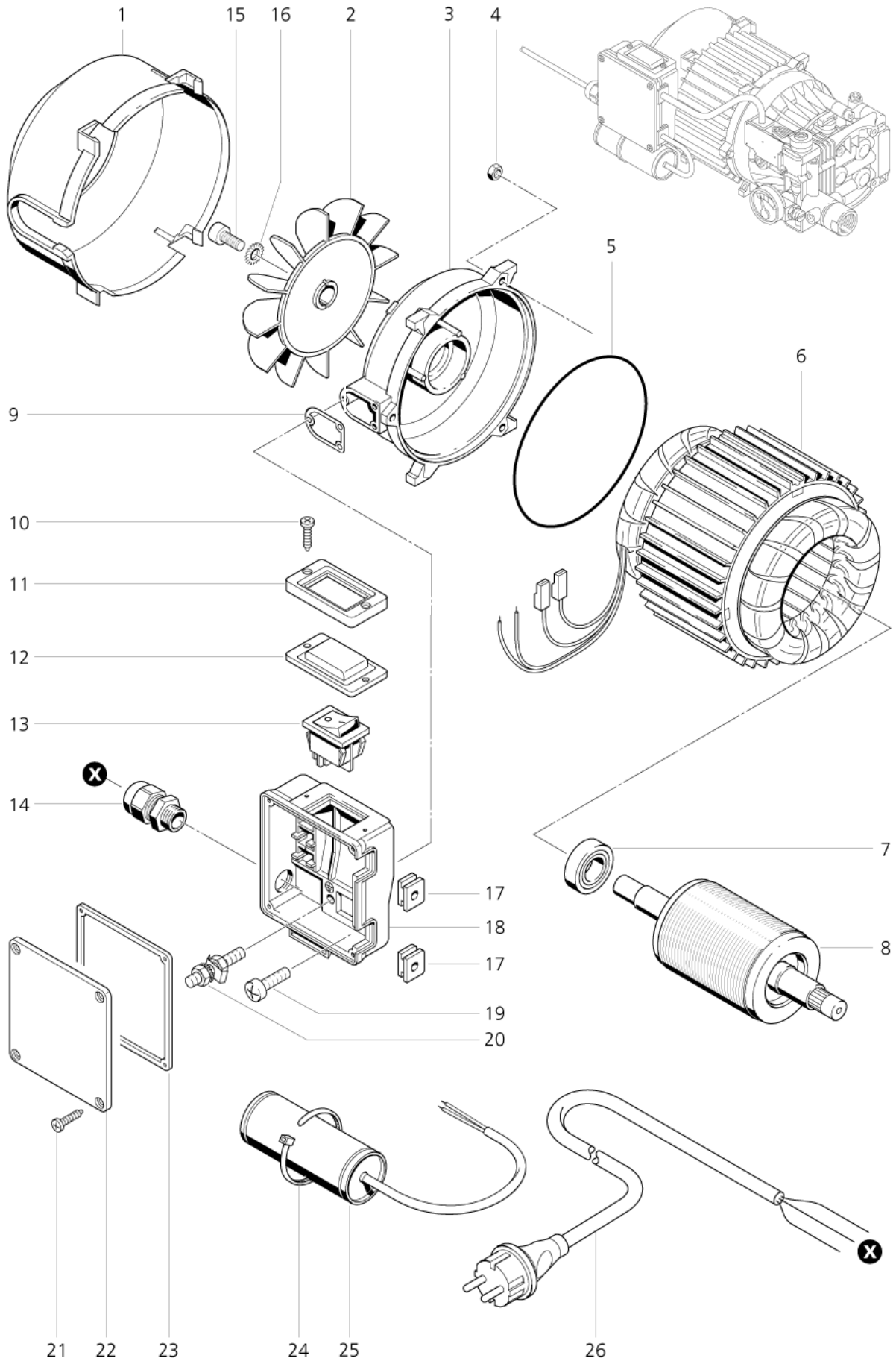
Motor and electrical parts

4800 automatic, 5200 automatic

06-02-2015

Part List ID
480006

8



Motor and electrical parts

4800 automatic, 5200 automatic

06-02-2015

Part List ID
480006

9

Pos	Part no.	Qty	Description
2	54566	1	FAN
3	42334	1	BEARING COVER
4	2760	1	NUT M5 ISO 4032 ZN
5	43201	1	GASKET FOR MOTOR 4100
6	54555	1	STATOR ASSEMBLY 230V 50HZ
7	42853	1	ANTI-FRICTION BEARING 600
9	42791	1	PACKING
10	5188	1	TREAD-CUTTING SCREW 2.9X16 C-H ISO 7049
11	42571	1	FRAME
12	42798	1	CAP
13	42797	1	SWITCH
14	17348	1	KABELVERSCHR. PG11 KU
15	9795	1	CYLINDER SCREW M5X12 ISO 4762 ST 8.8/ZN
16	3376	1	SERRATED LOCK WASHER D5.3 A2 DIN 6798A
17	42793	1	CABLE BUSHING
18	42569	1	HOUSING FOR SWITCH BOX 41
19	6163	1	CYLINDER SCREW M4X12 ISO 1207 ZN
20	43471	1	HEXAGON CAP SCREW M4X25
21	11356	1	EJOT SCREW KA40X14 WN1412 ST/ZN
23	42792	1	PACKING
24	8819	1	CABLE STRAP 4.5X1X350
25	42795	1	CONDENSER
25	54952	1	CAPACITOR 30mF 450V 45x94
26	10440	1	CABLE H07RN-F 3G1.5X 5.0
26	14503	1	POWER CABLE
26	32534	1	CABLE H07RN-F 3G1.0X 5.0

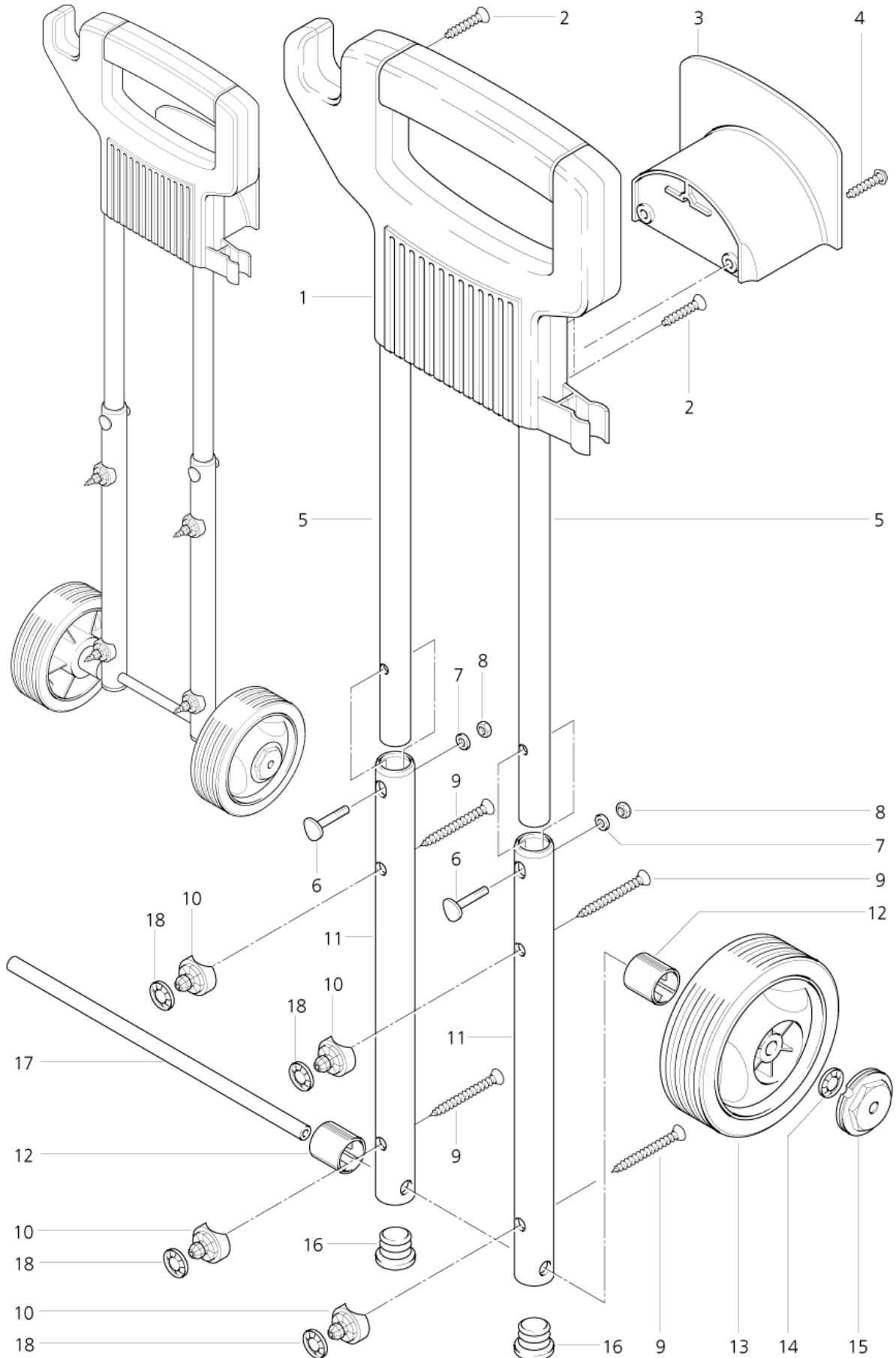
Handle and wheels

4800 automatic, 5200 automatic

06-02-2015

Part List ID
480008

10



Handle and wheels

4800 automatic, 5200 automatic

06-02-2015

Part List ID
480008

11

Pos	Part no.	Qty	Description
1	49910	1	HANDLE HALF SET 4000-BAUR
2	56727	1	SCREW 5X20
3	43064	1	HOSE HOLDER SB STATION
4	56726	1	SCREW KB50X20 WN1411
5	49912	1	TUBE
6	49426	1	SCREW M5X30
7	2763	1	WASHER 5.3X1
8	2760	1	NUT M5 ISO 4032 ZN
9	49779	1	SHEET METAL SCREW 4.8X45
10	49913	1	SECURING ELEMENT
11	49914	1	PIPE 25X1.5X 335 ST
12	49915	1	SPACER SLEEVE D25X29 K
13	49916	1	WHEEL
14	31664	1	CLAMPING RING
15	61998	1	WHEEL SET
16	49918	1	CAP
17	49919	1	PIPE 12X1.5X 295 ZN
18	5639	1	CLAMPING RING 10X2

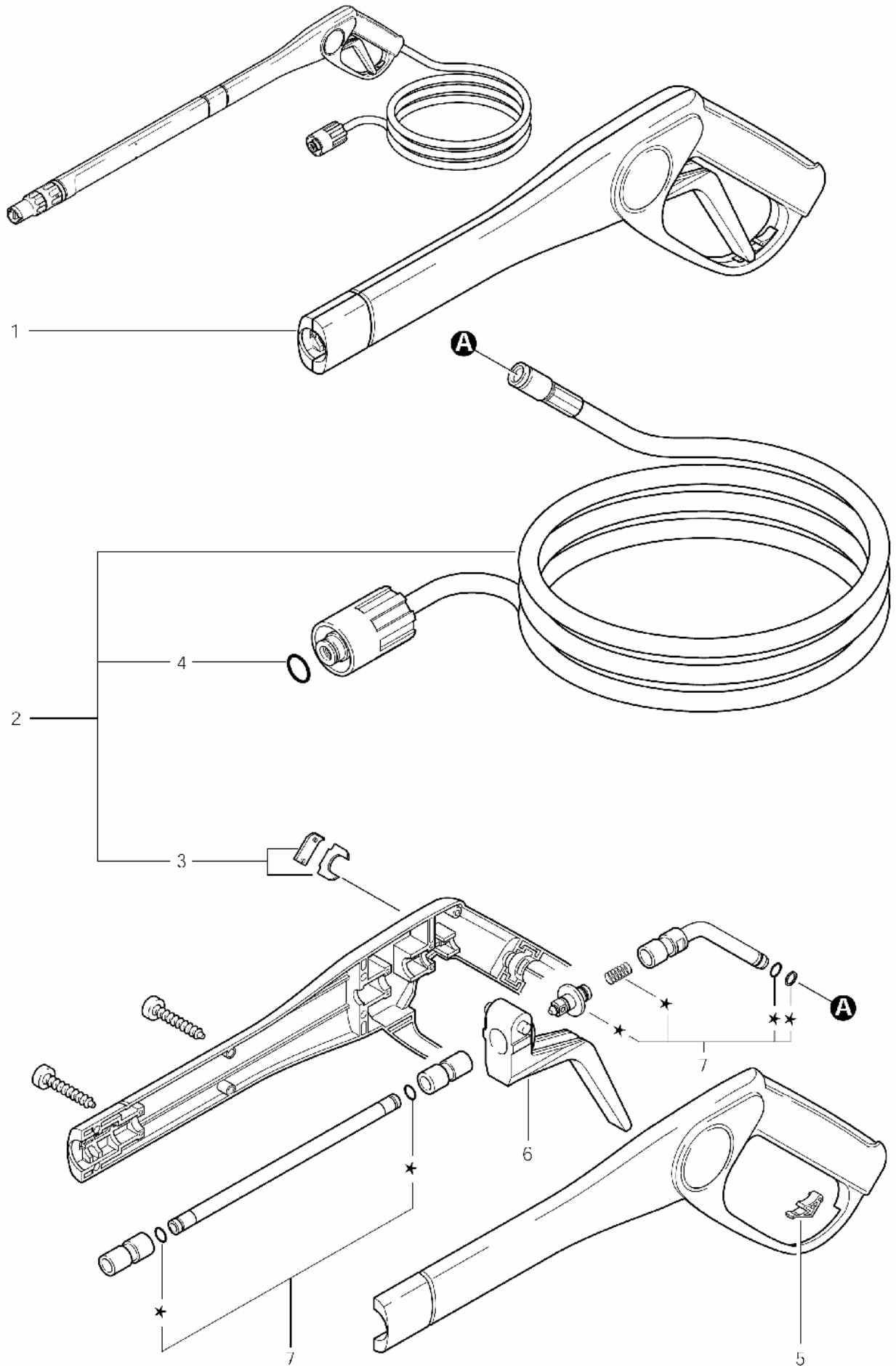
Trigger

4800 automatic, 5200 automatic

06-02-2015

Part List ID
AQUA80010

12



Trigger

4800 automatic, 5200 automatic

06-02-2015

Part List ID
AQUA80010

13

Pos	Part no.	Qty	Description
1	29496	1	TRIGGER GUN STIHL
2	29946	1	HP HOSE Ø6X8M 160BAR M24X1.5
3	29499	1	CONNECTION FOR HP HOSE Ø6X7M
4	1381	1	O-RING 14.0x2.0 DIN 3770 NBR70
5	29608	1	SAFETY CATCH
6	29607	1	LEVER
7	29498	1	PISTON W GASKETS

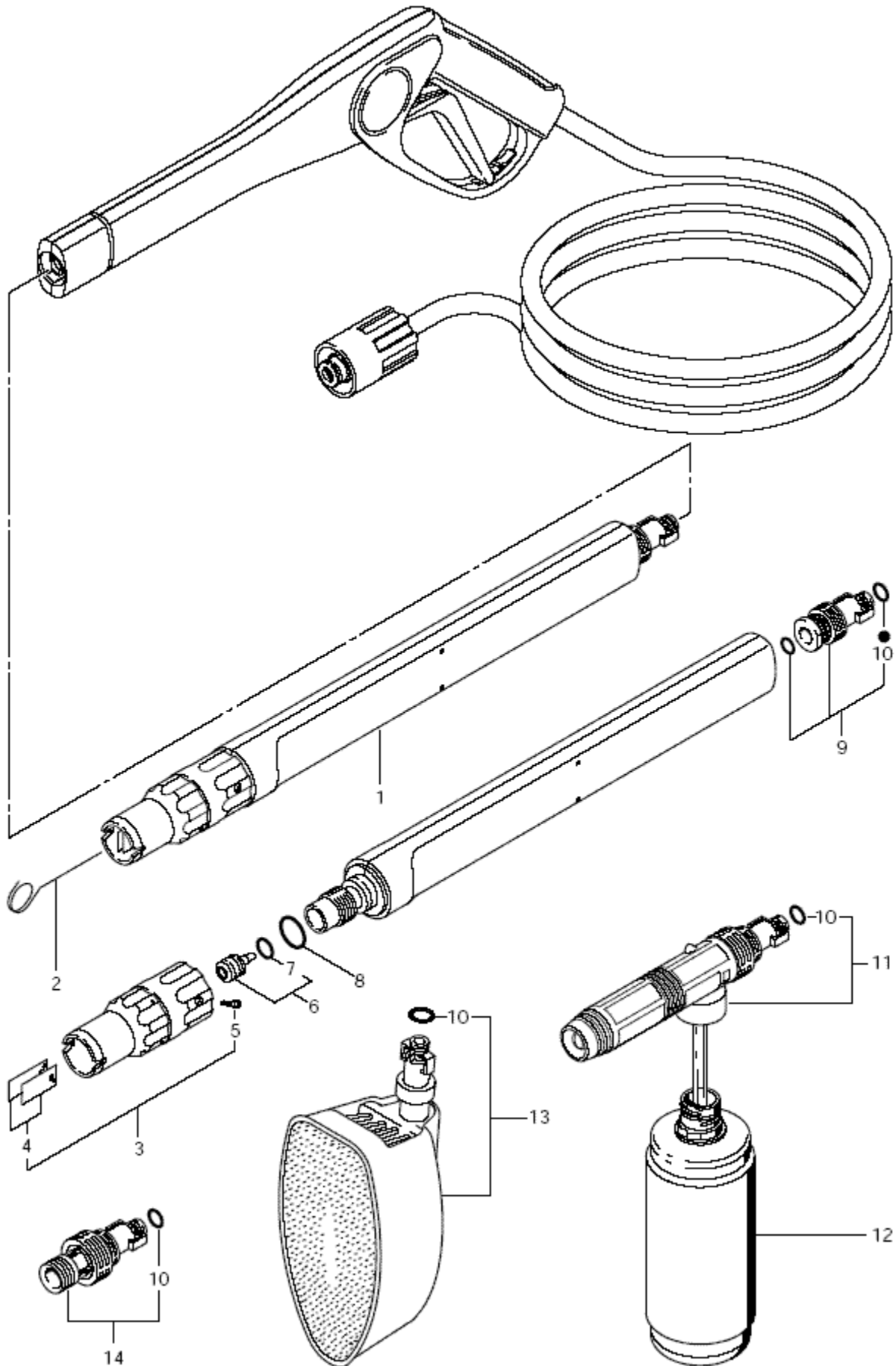
Handle

4800 automatic, 5200 automatic

06-02-2015

Part List ID
AQUA80012

14



Handle

4800 automatic, 5200 automatic

06-02-2015

Part List ID
AQUA80012

15

Pos	Part no.	Qty	Description	
1	29147	1	VARIO PRESS SPRAY LANCE 450MM	EU, ZA, GB, BR
1	29553	1	VARIO PRESS SPRAY LANCE 450MM	CH, AU
2	45355	1	NEEDLE	
4	49576	1	PLATE FOR JET FORMER ON S	
5	29581	1	SHEET METAL SCREW 2.9X9.5	
6	60536	1	HP NOZZLE D1.25 MS	CH, AU
6	60537	1	HP NOZZLE SET Ø1.30 MS	EU, ZA, GB, BR
7	13739	1	O-RING 10X2 DIN 3770 NBR70	
8	4029	1	O-RING 18.0X2.5 DIN 3770 NBR70	
9	29606	1	BAYONET CONNECTION W O-RING ALU	
10	13700	1	O-RING 7.5X2.65 DIN 3771 NBR70	
11	29609	1	FOAM LANCE	
12	42607	1	BOTTLE FOR INJECTOR SPRAY	
13	29503	1	WASHING BRUSH	
14	29628	1	ADAPTER QUICK-BAYONET ALU	