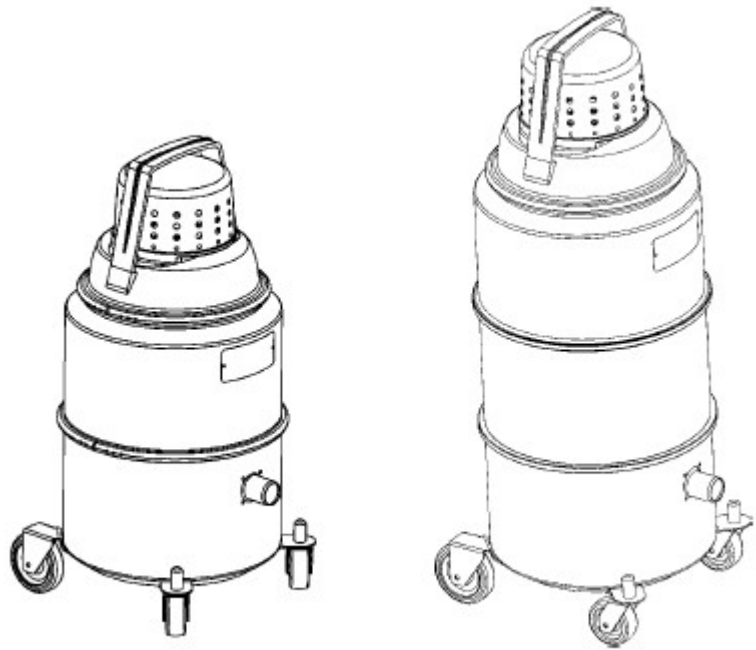


IVT 1000 CR

Model:
IVT 1000 CR
IVT 1000 CR H-CLASS
IVT 1000 CR SAFE PACK



Stückliste Deutsch

27-03-2015

Inhalt

IVT 1000 CR

Motor head for standard and H-class	3
Motor and motor wire for standard and H-class	5
KABEL FÜR MOTORKOPF	7
Exhaust filters and handle for standard and H-clas	9
Filter and dust bag for H-class	11
Filter and dust bag for standard class	13
Upper-lower container with acc. standard and H-cla	15
Hoses, tubes and nozzles, 32 mm - autoclavable	17
Hoses, tubes and nozzles, 32 mm - antistatic	19
Hoses, tubes and nozzles, 32 mm - standard	21

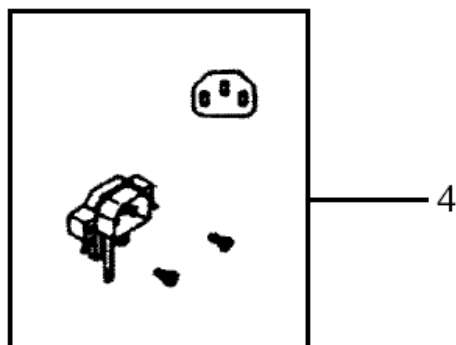
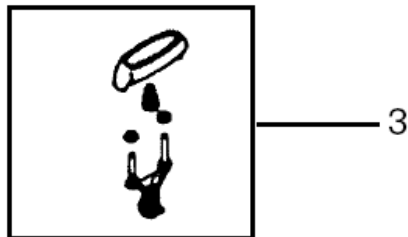
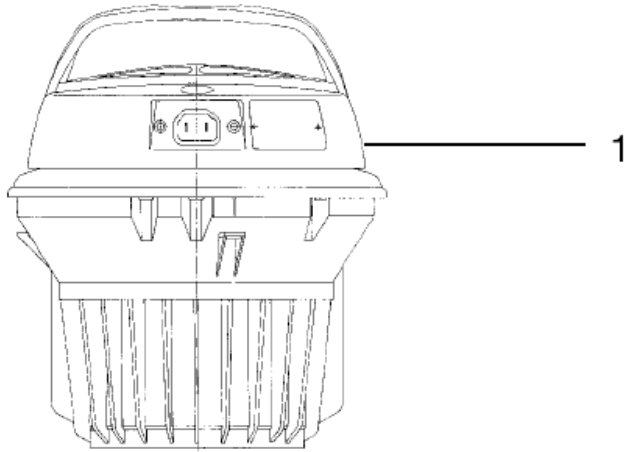
Motor head for standard and H-class

VT 1000 CR

27-03-2015

ET-Liste-Nr. G21313

3



Motor head for standard and H-class

VT 1000 CR

27-03-2015

ET-Liste-Nr.

GZ1313

4

Pos	Artikelnr.	Me	Beschreibung
1	12110553	1	Motor GMPJ white EU
1	12110729	1	MOTOR UNIT SPARE GMPJ WHITE US
1	22091000	1	ANTISTATIC CONNECTION
2	80386300	1	Spannring f. Motor
3	22410500	1	Ein- Aus Schalter GM 80
4	20705500	1	SOCKET EARTHED W. PARTS
5	80603000	1	Handgrif f

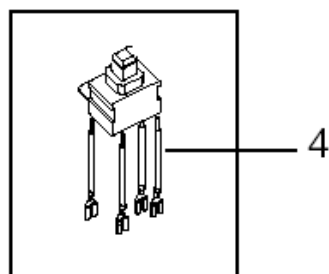
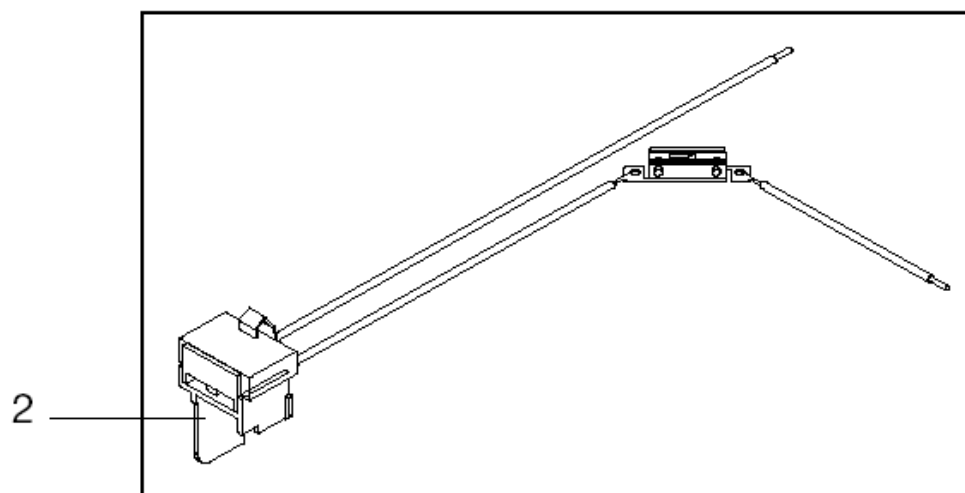
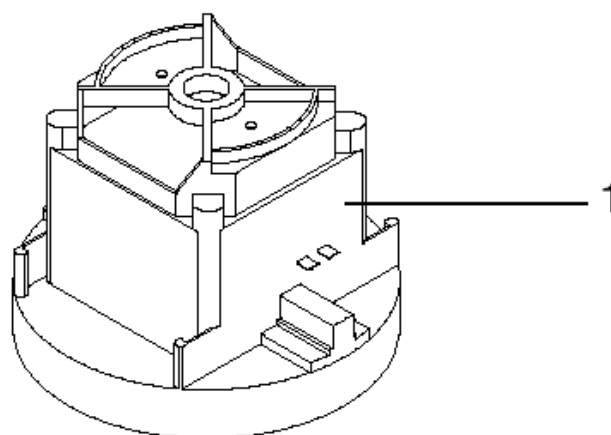
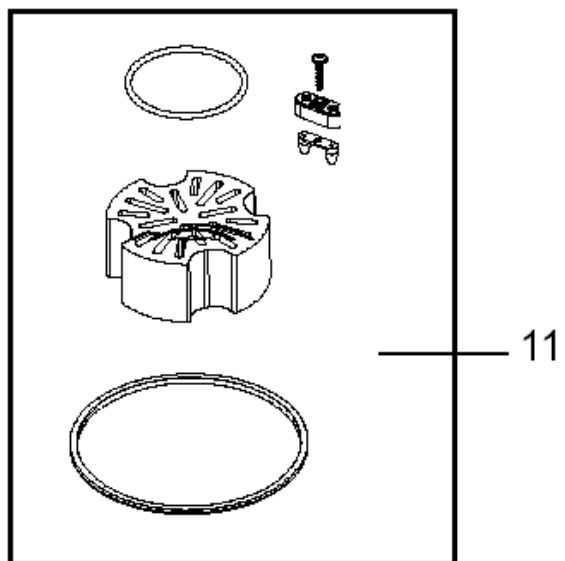
Motor and motor wire for standard and H-clas

VT 1000 CR

27-03-2015

ET-Liste-Nr. G21315

5



Motor and motor wire for standard and H-class

VT 1000 CR

27-03-2015

ET-Liste-Nr.

GZ1315

6

Pos	Artikelnr.	Me	Beschreibung
1	12125002	1	Motoreinsatz 220-240V 800W
1	12125003	1	MOTOR 110-120V AMETEK
2	22130501	1	Kabelkit m.Thermoschalter
4	22131200	1	Schalter Set GM-Motoren4-Polig
11	22365300	1	Schalldämpfer u. Dichtung zu GS/GM Motor
12		1	NOTE COMMENT INLET GASKET AMETEK FAN UNIT

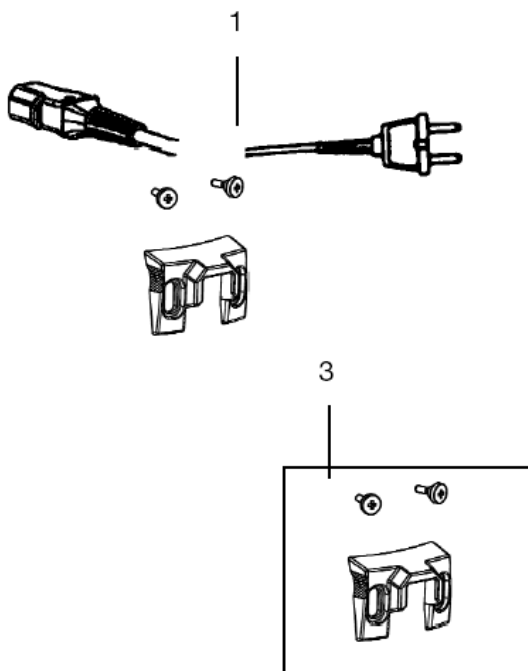
KABEL FÜR MOTORKOPF

VT 1000 CR


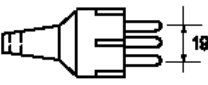



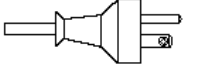
27-03-2015

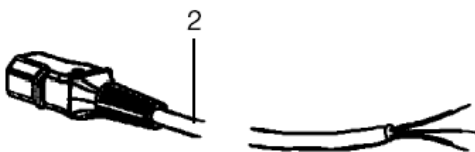
ET-Liste-Nr. G21317

7



Cord with plug/socket for bracket, item 3

	Rating	Plug type	
EU Grounded	250		
UK Grounded	250		
USA/CAN Grounded	120		



KABEL FÜR MOTORKOPF

VT 1000 CR

27-03-2015

ET-Liste-Nr. GZ1317

8

Pos	Artikelnr.	Me	Beschreibung
1	107408837	1	CORD SET 9.3M 3x1.25 JP PLUG NILFISK CO
2	11746601	1	10M CORD 2X1.0 CON./UK
2	4083901466	1	Kabel 10 m 3-Polohne Stecker
3	22361000	1	Kabelsicherung zuGM-GS Motoren

Exhaust filters and handle for standard and H-c

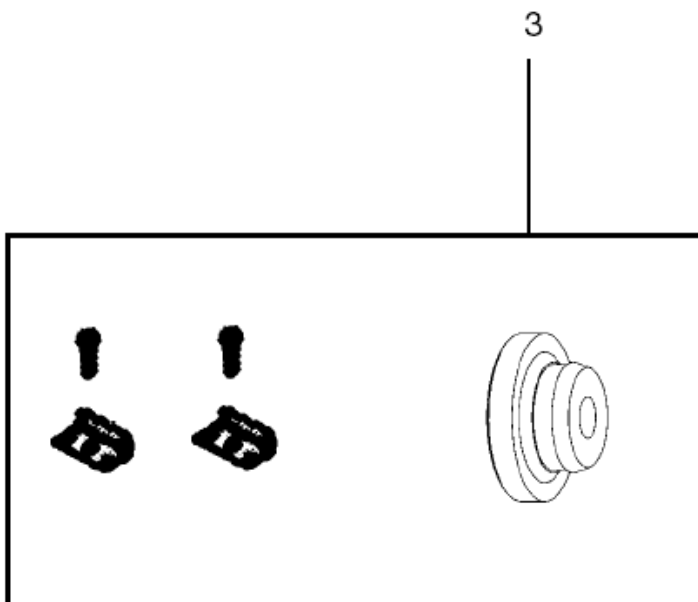
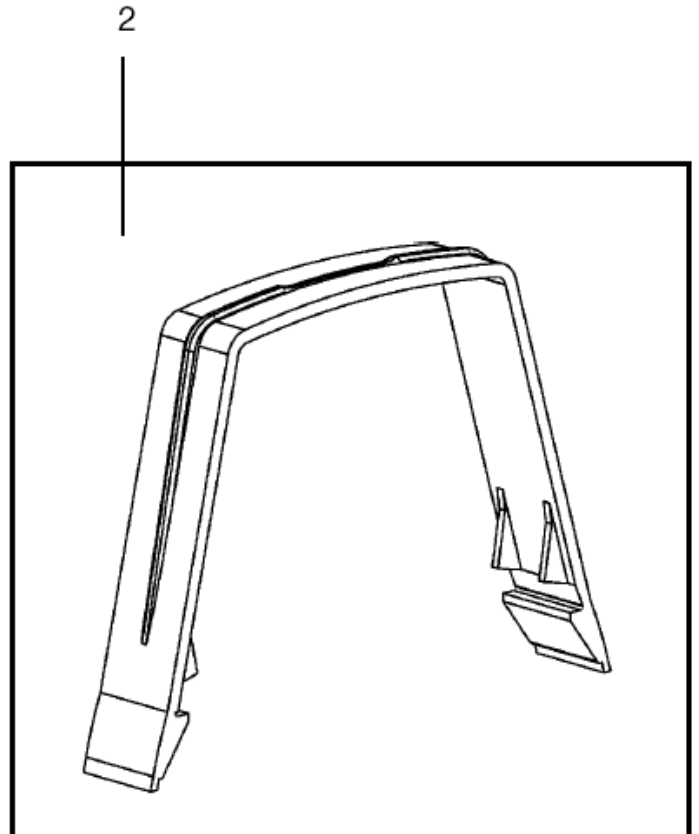
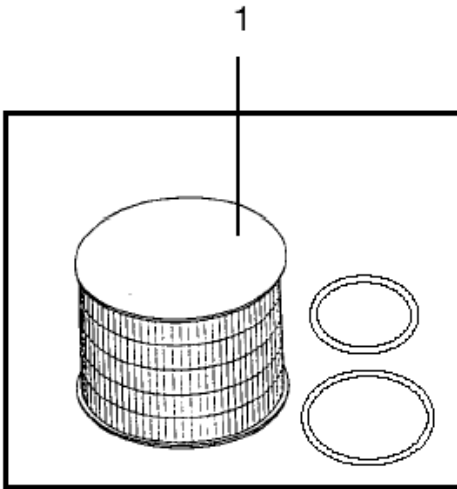
VT 1000 CR

27-03-2015

ET-Liste-Nr.

G21319

9



Exhaust filters and handle for standard and H-c IT 1000 CR

27-03-2015

ET-Liste-Nr.

GZ1319

10

Pos	Artikelnr.	Me	Beschreibung
1	80556400	1	Hepa Filter Kit H-Class
1	80556600	1	Ulpa U 15 Filter Kit
2	80603000	1	Handgriff
3	80551800	1	Halter für Handgriff

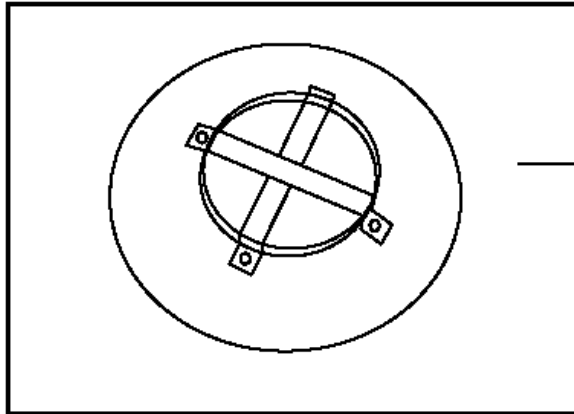
Filter and dust bag for H-class

VT 1000 CR

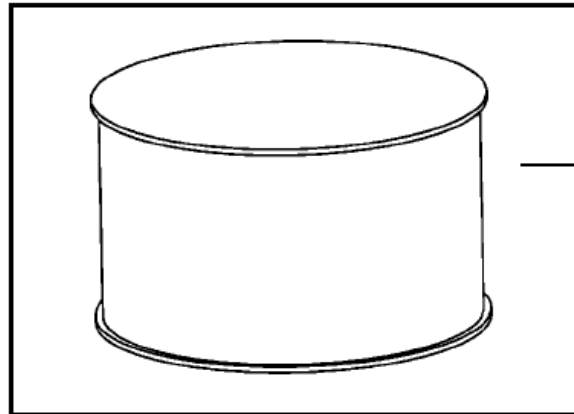
27-03-2015

ET-Liste-Nr. G213111

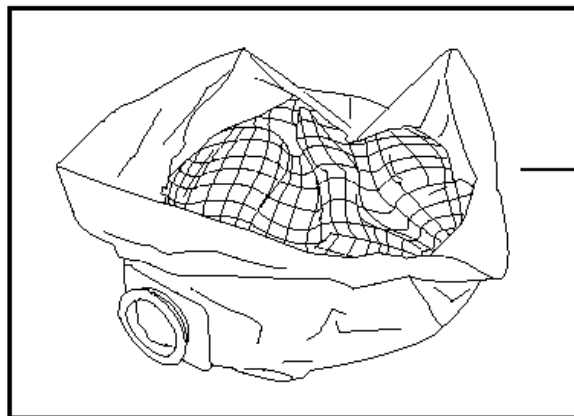
11



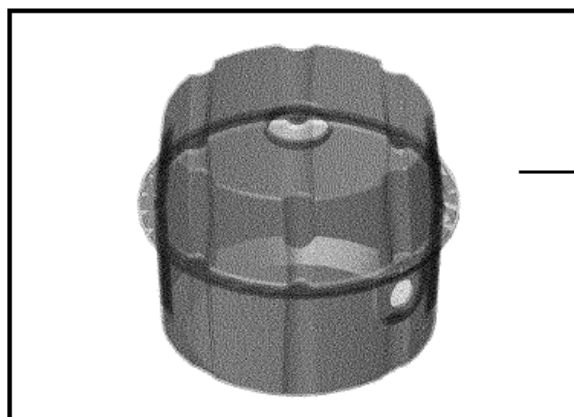
1



2



3



4

Filter and dust bag for H-class

VT 1000 CR

27-03-2015

ET-Liste-Nr. G213111

12

Pos	Artikelnr.	Me	Beschreibung
1	80559200	1	Filterplatte H Klasse
2	80551600	1	Filter Container H-Class
3	81303215	1	EntsorgungssystemIVT 1000 CR
4	81303218	1	Safe Pack ReplacementIVT/CRX 1000

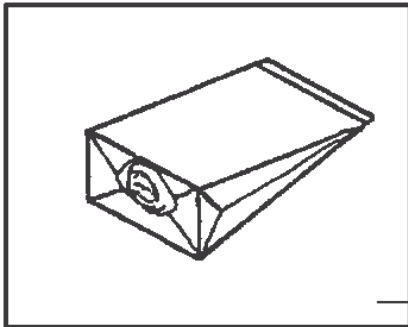
Filter and dust bag for standard class

VT 1000 CR

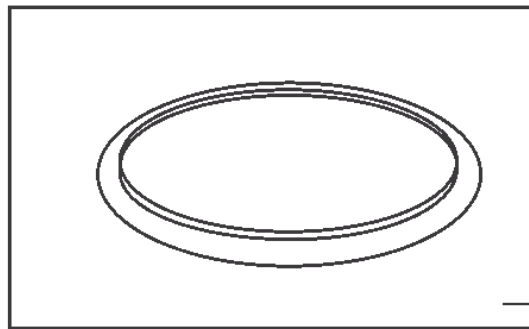
27-03-2015

ET-Liste-Nr. G213113

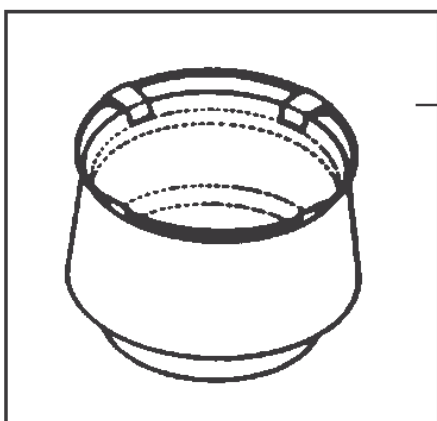
13



1



2



3

Filter and dust bag for standard class

IT 1000 CR

27-03-2015

ET-Liste-Nr. G213113

14

Pos	Artikelnr.	Me	Beschreibung
1	81620000	1	Staubbeutel GM/GS 80-90IVT 1000 9.25 l,
2	80551300	1	Montagering f. Filter
3	61909800	1	Gorefilter GS/GM 80/8132 mm

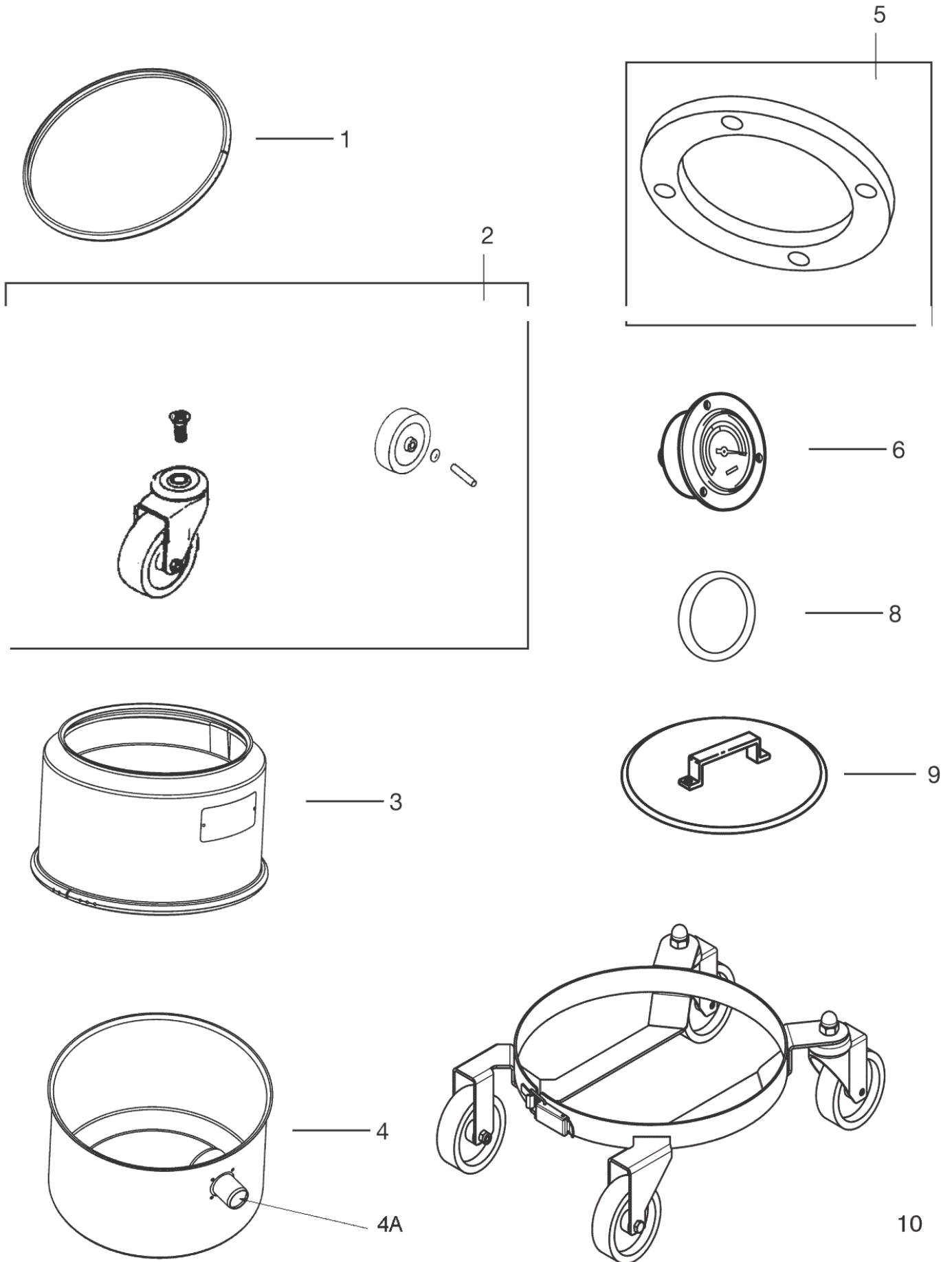
Upper-lower container with acc. standard and H

VT 1000 CR

27-03-2015

ET-Liste-Nr. G213115

15



Upper-lower container with acc. standard and H IVT 1000 CR

27-03-2015

ET-Liste-Nr.

G213115

16

Pos	Artikelnr.	Me	Beschreibung
1	80386400	1	Spannring zu IVT 1000
2	80551000	1	Radkit f für IVT 1000
3	81551400	1	Filterzwischenteil
4	80551500	1	Staubkessel, rostfrei
5	80386700	1	Kesseldichtung IVT 1000
6	81303227	1	Manometer f. IVT
8	80353000	1	Dichtung
10	81303229	1	Fahrgestell f. IVT 1000
4A	80555200	1	Anschluss 32 mm Edelstahl

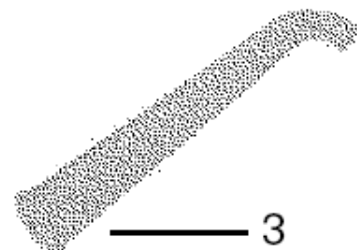
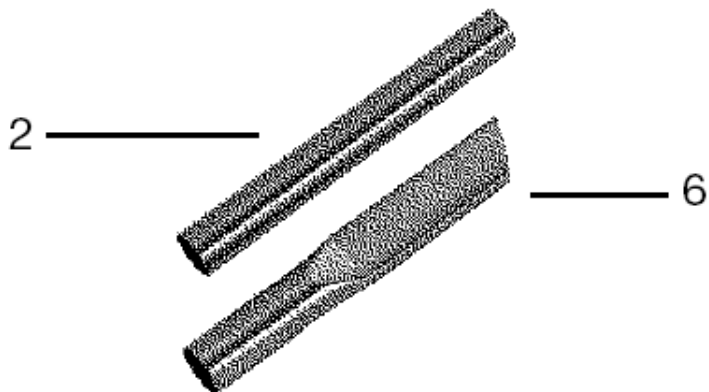
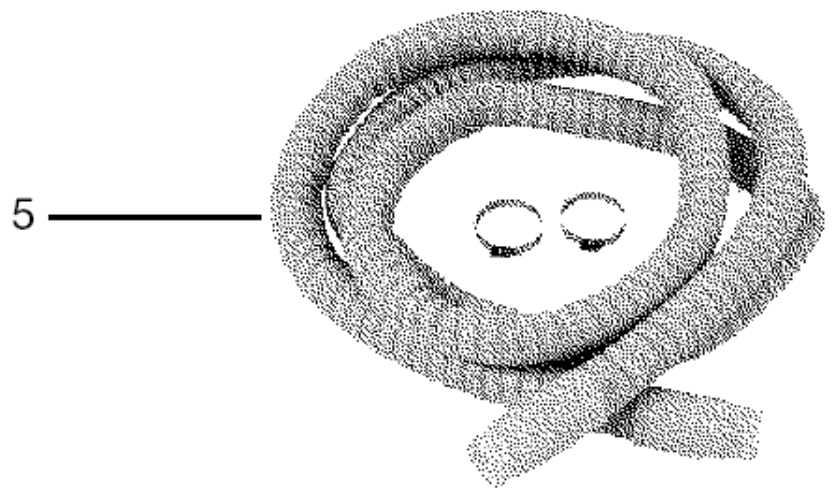
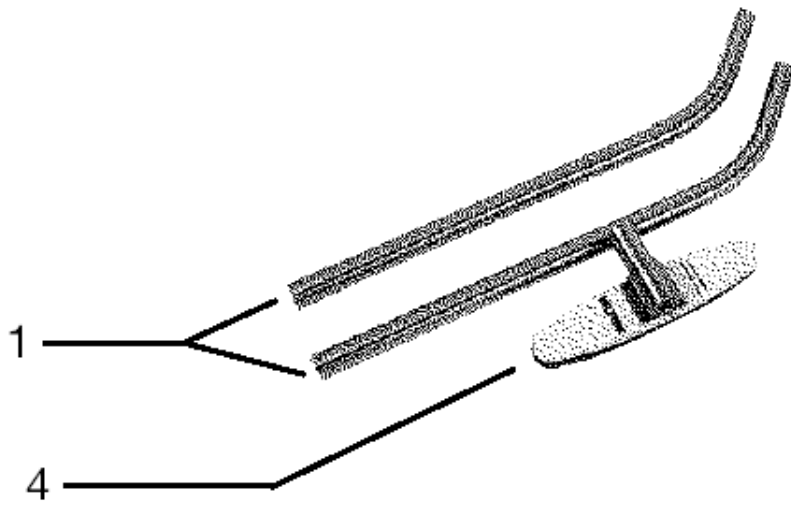
Hoses, tubes and nozzles, 32 mm - autoclavab

VT 1000 CR

27-03-2015

ET-Liste-Nr. G213117

17



Hoses, tubes and nozzles, 32 mm - autoclavable

IVT 1000 CR

27-03-2015

ET-Liste-Nr.

G213117

18

Pos	Artikelnr.	Me	Beschreibung
0	80556700	1	Saugkit IVT 1000autoklavierbar
1	11112500	1	S-Rohr Set IVT 1000
2	11882505	1	Rohr gerade 250 mm 3/32 zu IVT 1000
3	81141103	1	Silikonspitzdüse gebogen 32-240mm
4	22430808	1	Bodendüse autoklavierbar 300mm
5	80551900	1	Schlauch autoklavierbar zu IVT 1000 CR
6	80552000	1	Düse Flach D32 250 mm

Hoses, tubes and nozzles, 32 mm - antistatic

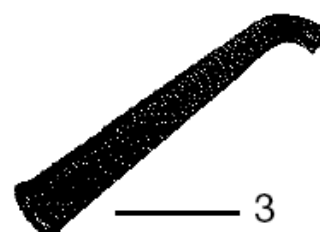
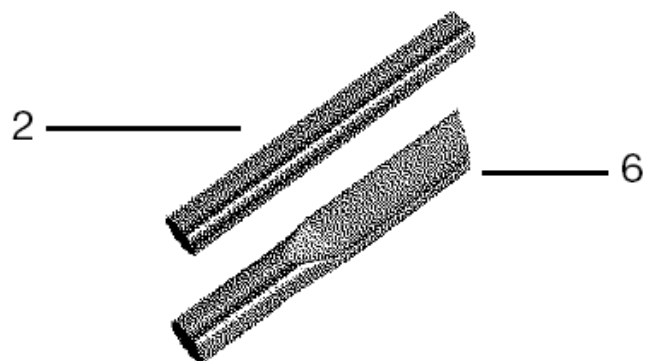
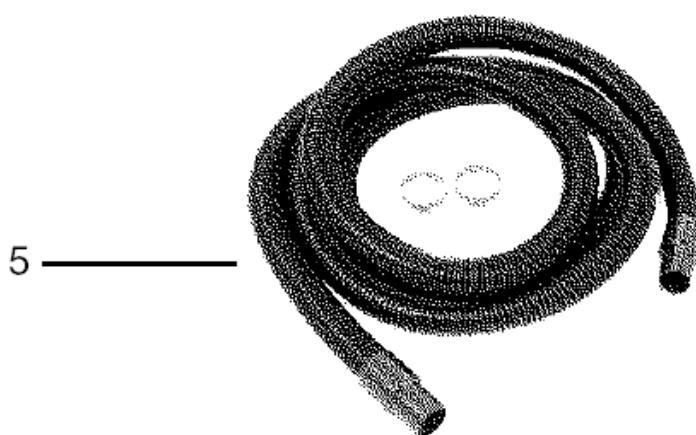
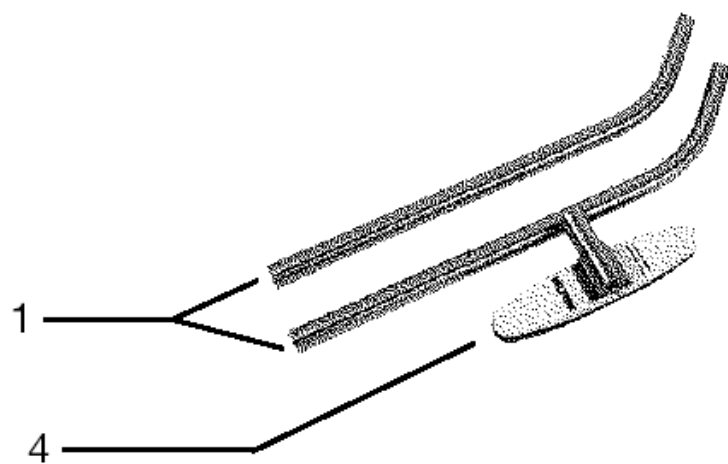
27-03-2015

ET-Liste-Nr.

G213119

VT 1000 CR

19



Hoses, tubes and nozzles, 32 mm - antistatic

IVT 1000 CR

27-03-2015

ET-Liste-Nr. G213119

20

Pos	Artikelnr.	Me	Beschreibung
0	80551200	1	Saugkit IVT 1000antistatisch EDS
1	11112500	1	S-Rohr Set IVT 1000
2	11882505	1	Rohr gerade 250 mm \varnothing 32zu IVT 1000
3	81932600	1	Gummidüse schwarz 240 mmD = 32, antistat
4	22431608	1	antistatische Bodendüse
5	80552900	1	Schlauch antistatisch 3M
6	80552000	1	Düse Flach D32 250 mm

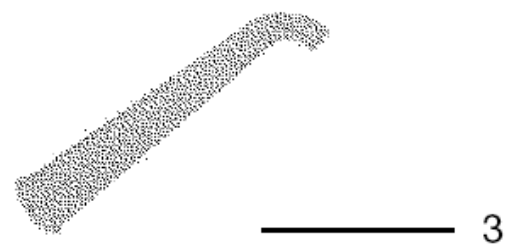
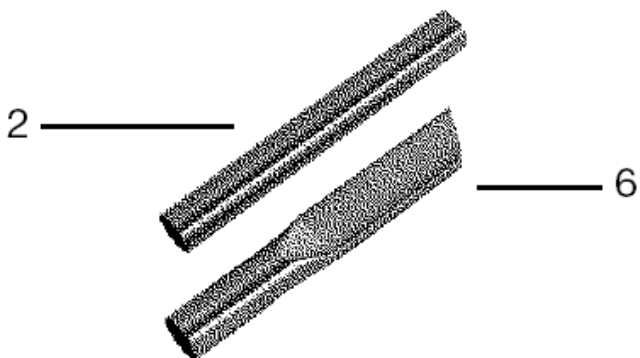
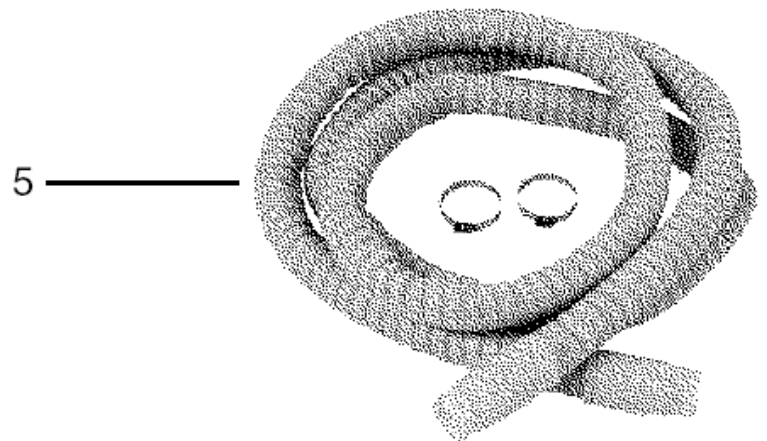
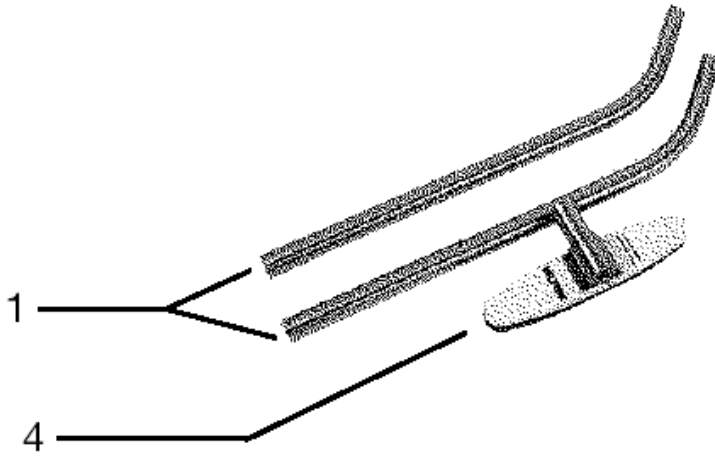
Hoses, tubes and nozzles, 32 mm - standard

VT 1000 CR

27-03-2015

ET-Liste-Nr. G213121

21



Hoses, tubes and nozzles, 32 mm - standard

IVT 1000 CR

27-03-2015

ET-Liste-Nr.

G213121

22

Pos	Artikelnr.	Me	Beschreibung
0	80551100	1	Saugkit IVT 1000
1	11112500	1	S-Rohr Set IVT 1000
2	11882505	1	Rohr gerade 250 mm \varnothing 32zu IVT 1000
3	81141101	1	DÜSE FLEXIBLE 240MM INLET 32MM RUB 65
4	22431611	1	NOZZLE FLOOR STANDARD 300MM FLAT
5	80553100	1	Schlauch std. 3Mzu IVT 1000
6	80552000	1	Düse Flach D32 250 mm