

---

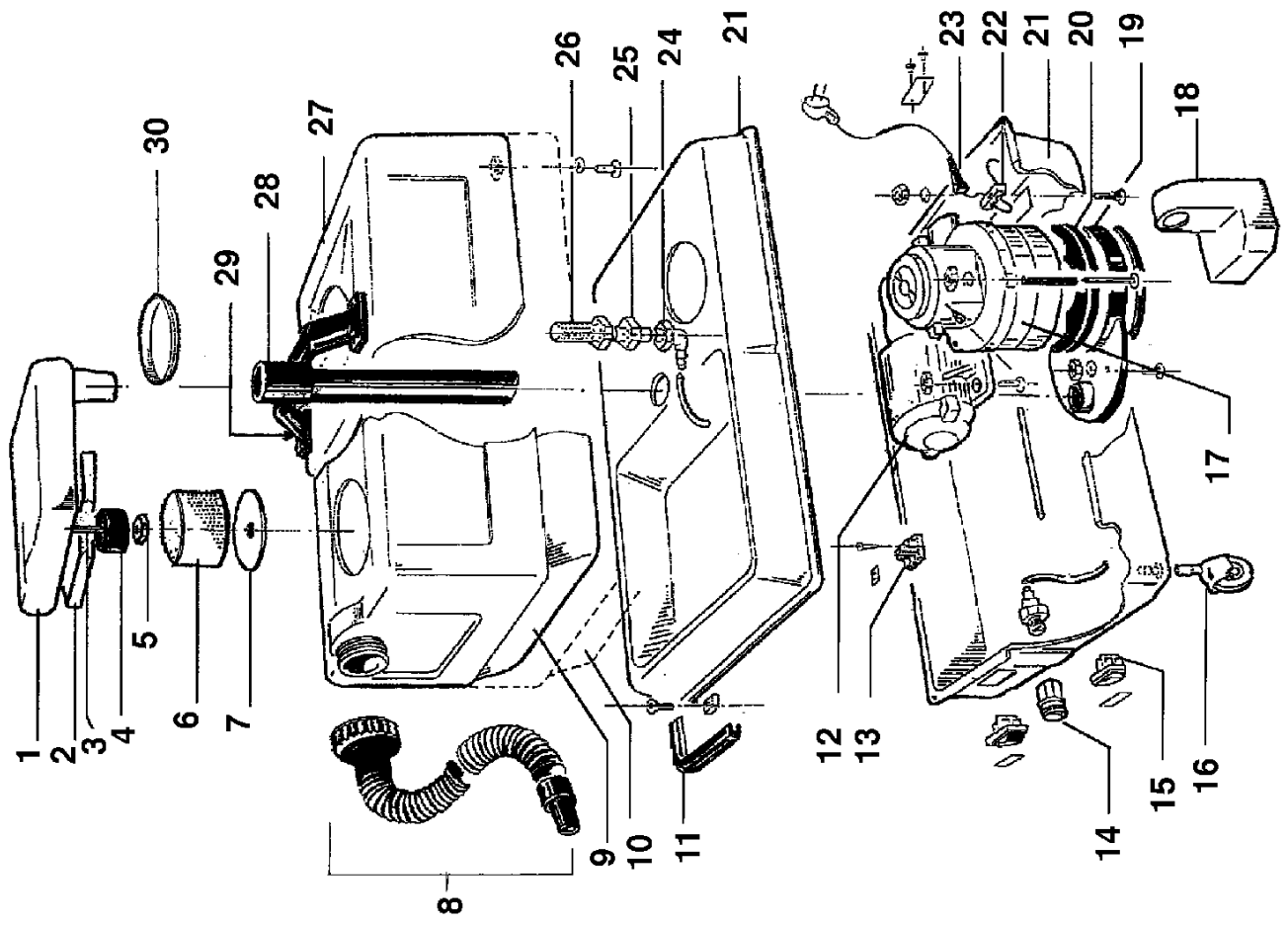
# Extra 10/16

---

**Reservedelsliste**  
**Spare parts list**  
**Ersatzteilliste**  
**Liste de pièces détachées**

Bundramme / Base housing / Bodenrahmen / Bac inferieur . . . . .	2
Rør/Mundstykke / Tube/Nozzle / Roehre/Düse / Tube/Suceur . . . . .	5

Bundramme / Base housing / Bodenrahmen / Bac inferieur



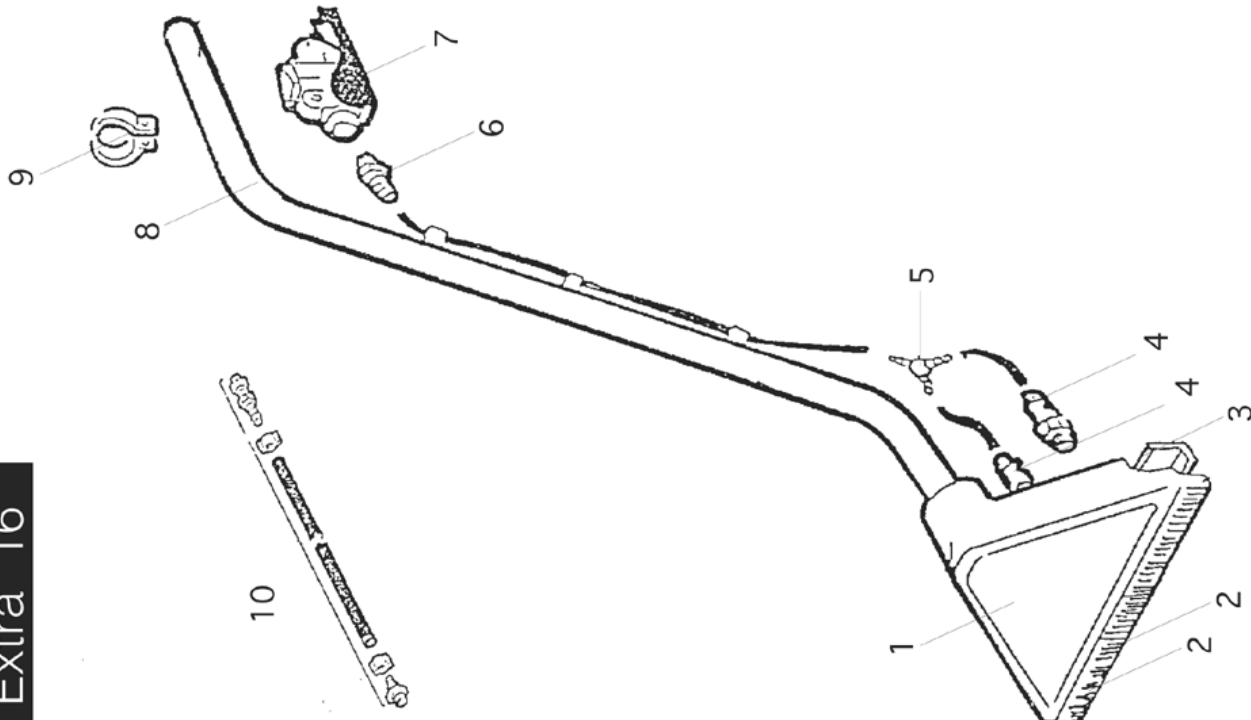
## Bundramme / Base hausing / Bodenrahmen / Bac inferieur

Pos.	Ref. no.	Betegnelse Description	Bezeichnung Description	Extra 10 / Extra 16
01	06390643	D/ÅKSEL, EX 10/16 COVER, EX 10/16	DECKEL COUVERCLE ASPIRATION	1
02	06390651	SKUMPLADE COVER RUBBER FOAM	JOINT DE COUVERCLE	1
03	06390652	FILTERAKSEL FILTER AXEL	AXE DE FLOTTEUR P/EXTRA	1
04	06390653	SVØMMER, EX 10/16 FLOAT VALVE, EX 10/16	FLOTTEUR EXTRA 10/16	1
05	06390584	MØTRIK NUT	STOPPMUTTER ECROU DE MAINTIEN	1
06	06390654	FILTER, RUSTFRI INOX FILTER	FILTRE COUVERTURE INOX	1
07	06390655	FILTER SKIVE FILTER WASHER	FERMETURE DE FILTRE A EAU	1
08	06390646	SUGESLANGE, Ø32 2,20 M SUCTION HOSE, Ø32 2,20 M	FLEXIBLE ASPIRATION	1
09	06390656	RETRUTANK EXTRA10, CPL. RECOVERY TANK EXTRA 10, CPL.	RES. EAU SALE EXTRA 10, CPL.	1
11	06390647	GUMMILISTE, EX 10/16 1.53M RUBBER FILET, EX 10/16 1.53M	RANDLEISTE JOINT PROTECTION EMBASE	1
12	06390470	PUMPE, EX 10/16 40W 220V PUMP, EX 10/16 40W 220V	PUMPE 2 I MOTEUR POMPE EXTRA 10/1622121	1
14	06390475	KOBLING COUPLING	KUPPLUNG COUPLEUR FEMELLE058 058	1
15	06390440	AFBRYDER, 2 PCS SWITCH, 2 PCS	SCHALTER INTERRUPTEUR EXTRA 10/16	2
16	06390658	HJUL, Ø50 MM WHEEL, Ø50 MM	ROUE PIVOTANTE CPL.	1
17	06390497	VAKUUMMOTOR, EX 10/16 1000W 240V VACUUM MOTOR, EX 10/16 1000W 240V	VAKUUMMOTOR BBT35, 240V MOTEUR A VIDE BBT35 240V 35240	1
18	06390444	LYDDÆMPER, EX 10/16 SILENCER, EX 10/16	POT ECHAPPEMENT	1
19	06390441	BÆREPLADE FOR MOTOR, EX 10/16 VACUUM BASE, EX 10/16	TRAGPLATTE MOTOR PLAQUE-SUPPORT MOTEUR 09005	1
20	06390683	TÆTNINGSPLADE FLAT GASKET	JOINT POUR EMBASE MOTEUR	1
21	06390640	BUNDRAMME, EX 16 BOTTOM FRAME, EX 16	GRUNDPLATTE PARTIE SUPERIEURE09 09	1
22	06390606	KABELKLEMME CABLE CLAMP	BRIDE DE CABLE	1
23	06390565	KABEL KLEMMEBØSNING CABLE CLAMP SLEEVE	PASSE FIL CABLE	1
24	06390659	VINKELKOBLING. PLAST PLASTIC ELBOW COUPLING	RACCORD 90° CRAPINE PROT.	1

**Bundramme / Base hausing / Bodenrahmen / Bac inferieur**

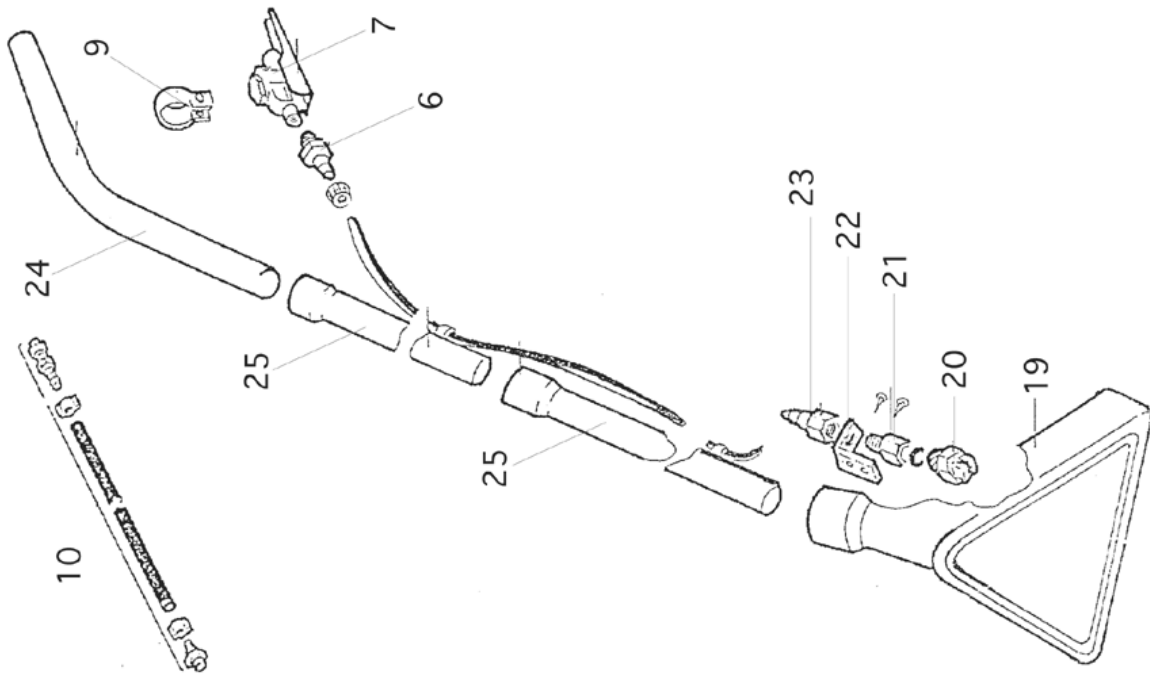
Pos.	Ref. no.	Betegnelse Description	Bezeichnung Description	Extra 10 / Extra 16
25	06390660	FORSKRUNING SCREWED CONNECTION	RACCORD MM POUR	1
26	06390661	SUGEFILTER SUCTION FILTER	FILTRE D'ASPIRATION	1
27	06390662	VANDTANK, EXTRA 10 WATER TANK, EXTRA 10	CREPINE ASPIRATION BAC	1
27	06390663	VANDTANK, EXTRA 16 WATER TANK, EXTRA 16	CUVE A EAU, EXTRA 16	1
28	06390664	VAKUUMRØR, EXTRA 10 VAC TUBE, EXTRA 10	TUBE ASPIRATION FIXE	1
29	06390451	HANDTAG, EX 10/16 HANDLE, EX 10/16	HANDGRIFF POIGNEE EXTRA 10/16	1
30	06390641	LÅG FOR BEHOLDER COVER	DECKEL F. BEHAELTER BOUCHON BAC EAU PROPRE	1
31	06390686	RADIO STØJDÆMPER NOISE FILTER	RADIOSTØRSCHUTZ SUPPRES DE BRUIT P RADIO	1

Extra 16

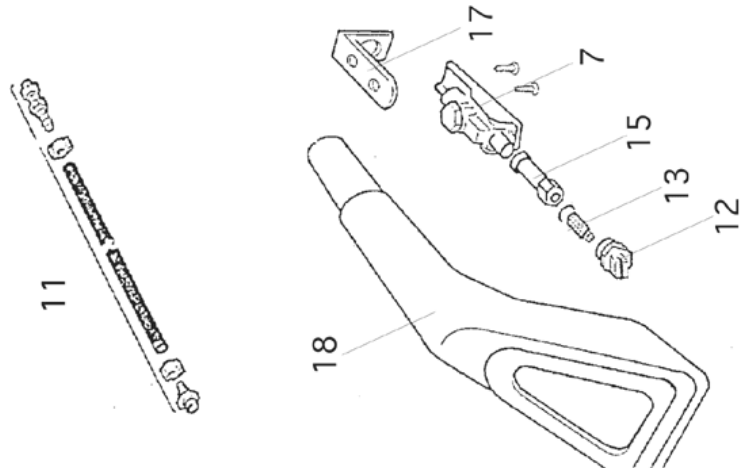


Rør/Mundstykke  
Tube/Nozzle  
Roehre/Düse  
Tube/Suceur

Extra 10



Extra 10/16



## Rør/Mundstykke / Tube/Nozzle / Roehre/Düse / Tube/Suceur

Pos.	Ref. no.	Betegnelse Description	Bezeichnung Description	Extra 10/ Extra 16
0	06390204	POLSTERMUNDSTYKKE KPL., EX 10/16 UPHOLSTERY TOOL CPL., EX 10/16	POLSTERDUESE KUNSTSTOFF KPL. ACC. FAUTEUIL NYLONASTIQUASTIQUE CPL.	1
0	06390205	GULVMUNDSTYKKE PLAST, KPL., EX 10/16 FLOOR NOZZLE TOOL POLY, CPL., EX 10/16	BODENDUESE KUNSTSTOFF KPL. ACCESSOIRE NYLON POUR SOLET	1
01	06390666	GULVMUNDSTYKKE ALU. FLOOR NOZZLE, INOX	SUCEUR ALU. NU EXTRA 16	1
02	06390432	BØRSTE SORT BLACK BRUSH STRIP	BUERSTE SCHWARZ STRIP NOIR POUR CANNE	1
02	06390433	BØRSTE HVID WHITE BRUSH STRIP	BUERSTE WEISS STRIP BLANC POUR CANNE	1
03	06390667	FORSTÆRKNINGSSTYKKE INOX REINFORCER	RENFORT SUPPORT STRIP	1
04	06390431	DYSE, EX 10/16 NOZZLE, EX 10/16	SPRITZDUESE GICLEUR CANNE0/16 18016 0/16 18016	2
05	06390494	Y-FORBINDELSESSTYKKE, EX 10/16 Y-CONNECTION, EX 10/16	Y-VERBINDUNGSSTUECK KUNSTSTOFF Y DE CONNECTION INJECTIONLASTIQUE 18024	1
06	06390668	KOBLING COUPLING	RACCORD 1/8 EME M/M	1
07	06390421	LUKKEVENTIL, EX 10/16 SPRAY VALVE , EX 10/16	DICHTKLAPPE ROBINET MARCHE ARRET16 116 17006	1
08	06390669	RØR, RUSTFRI, Ø32 STAINLESS TUBE, Ø32	TUBE INOXEN FORME DE S	1
09	06390670	HOLDER CLAMP	BRISE DE MAINTIEN	1
10	06390671	SLANGE, 2,20M HOSE, 2,20M	TUYAU INJECTION PRODUIT	1
11	06390672	SPRØJTESLANGE, 2M SPRAYING HOSE, 2M	TUYAU INJECTION PRODUIT	1
12	06390422	DYSE, 3/8"0 EX 10/16 NOZZLE, 3/8"0 EX 10/16	SPRITZDUESE GICLEUR CANNE FAUTEUIL0/10/16 17007	1
13	06390673	FILTER FILTER	FILTRE GICLEUR CANNE	1
15	06390674	FORLÆNGERSTYKKE FOR DYSE EXTENSION PIECE FOR NOZZLE	SUPPORT GICLEUR CANNE	1
17	06390675	HOLDER CLAMP	SUPPORT ROBINET CANNE	1
18	06390676	POLSTERMUNDSTYKKE UPHOLSTERY TOOL	EMBOUCHURE FAUTEUIL NYLON	1
19	06390677	GULVMUNDSTYKKE PLAST FLOOR NOZZLE TOOL POLY	SUCEUR EN PLASTIQUE NU	1
19_1	06390205	GULVMUNDSTYKKE PLAST, KPL., EX 10/16 FLOOR NOZZLE TOOL POLY, CPL., EX 10/16	BODENDUESE KUNSTSTOFF KPL. ACCESSOIRE NYLON POUR SOLET	1
20	06390678	DYSE, 04/110 NOZZLE, 04/110	GICLEUR CANNE EXTRA 10	1

**Rør/Mundstykke / Tube/Nozzle / Roehre/Düse / Tube/Suceur**

Pos.	Ref. no.	Betegnelse Description	Bezeichnung Description	Extra 10 / Extra 16
21	06390679	KOBLING COUPLING	SUPPORT GICLEUR RACCORD	1
22	06390680	DYSEHOLDER NOZZLE HOLDER	SUPPORT ENSEMBLE INJECT/	1
23	06390529	SLANGENIPPEL, 1/8" HOSE NIPPLE, 1/8"	DUESE F. BODENDUESE EX10 RACCORD SUPPORT GICLEUR/ ECHE ET HUMIDE	1
24	06390681	RØR BUKKET, RUSTFRI, Ø32/0,43M STAINLESS ELBOW TUBE, Ø32/0,43M	TUBE COURBE DIAM. 32 MM	1
25	06390682	RØR LIGE, RUSTFRI, Ø32/0,44M STAINLESS STRAIGHT TUBE, Ø32/0,44M	TUBE DROIT DIAM.32 MM	1
25	06390685	TELESKOPRØR, EX 8/10/16 FLEXIBLE PIPE, EX 8/10/16	TELESKOPRØR, EX 8/10/16 TUBE FLEXIBLE, EX 8/10/16	1