

# 30 HA MASTER

---

Model:  
30 HA MASTER



Part List US-English

09-02-2015

# Table of Contents

30 HA MASTER

<b>Cabinet</b>	<b>3</b>
<b>Motor (a)</b>	<b>6</b>
<b>Motor (b)</b>	<b>9</b>
<b>Motor (c)</b>	<b>11</b>
<b>Electric component</b>	<b>13</b>
<b>Boiler</b>	<b>16</b>
<b>Float house</b>	<b>19</b>
<b>Hose reel</b>	<b>21</b>

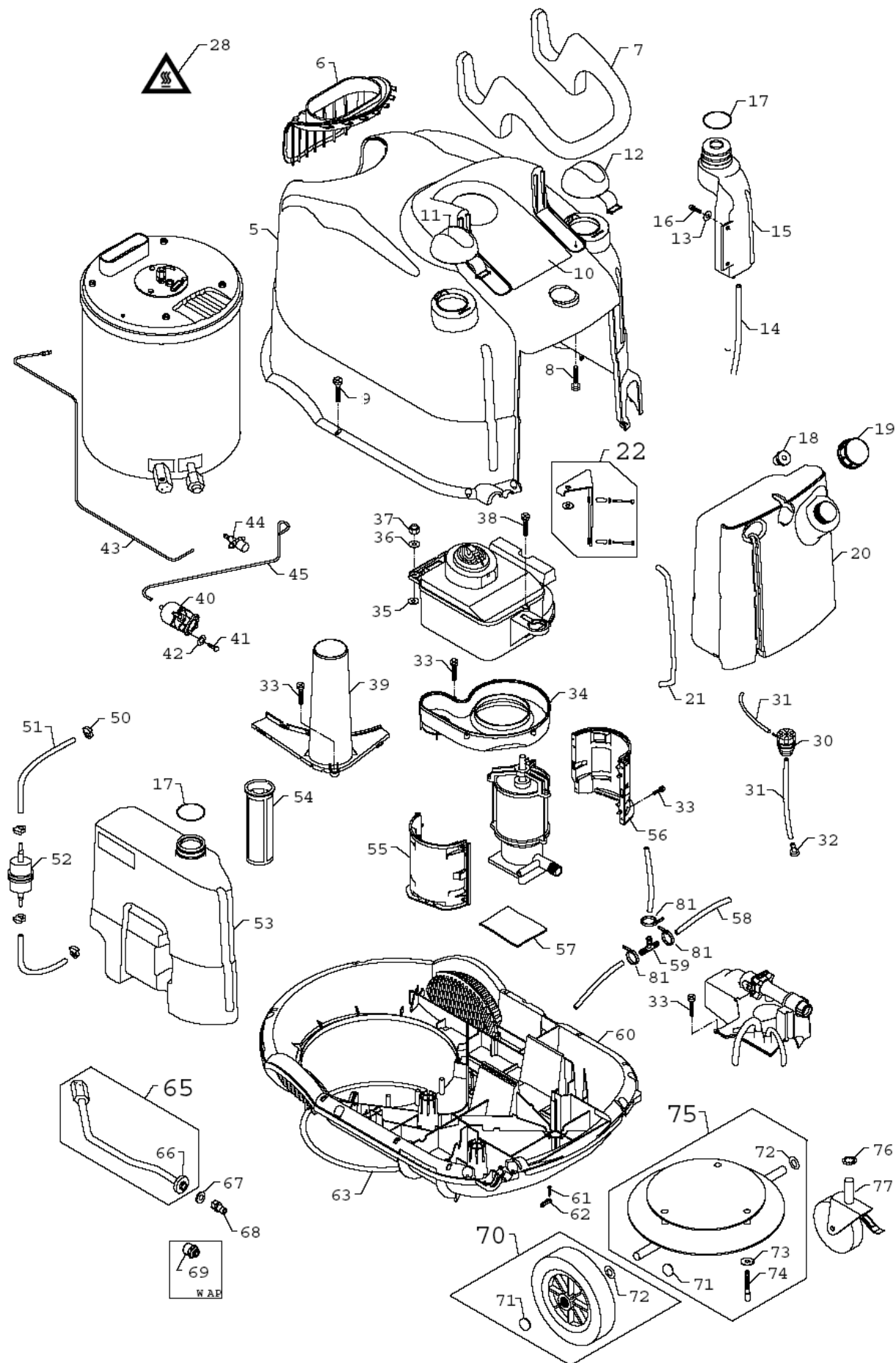
# Cabinet

## 30 HA MASTER

09-02-2015

Part List ID  
30HAM02

3



# Cabinet

## 30 HA MASTER

09-02-2015

Part List ID  
30HAM02

4

Pos	Part no.	Qty	Description
5	7181639	1	CABINET 30HA. WAP/KEW
6	7181631	1	BOILER SHIELD
7	7181610	1	HAND BRACKET
8	1814616	1	SCREW FOR CABINET 30HA
9	1814614	1	PT-SCREW K50X16 T20 WN1451 - A2
10	7182854	1	LABEL INSTRUMENT PANEL AL
10	7182857	1	LABEL INSTRUMENT PANEL WA
10	7182858	1	LABEL INSTRUM. PANEL ALTO
10	7182859	1	LABEL INSTRUMENT PANEL WA
10	7182860	1	OPERATING PANEL 30HA MAS
10	7182863	1	LABEL
11	7181644	1	CAP OF A TANK SQ
12	7181620	1	COVER
13	2763	1	WASHER 5.3X1
14	5226147	1	HOSE PVC 4/7.2
15	7181623	1	NO-SCALE CONTAINER
16	1803030	1	SCREW CROSS M5 X 12 FZB DIN7985
17	3004284	1	O-RING 49.21X3.53 NBR70
18	3803780	1	GROMMET 10-14C
19	61102	1	TANK COVER
20	7181646	1	CONTAINER FOR DETERGENTS
21	2450004	1	HOSE 1200MM
22	7181938	1	BRACKET
28	4210066	1	WARNING LABEL HEAT TRANS
30	7180907	1	METERING UNIT
31	2450004	1	HOSE 1200MM
32	6400240	1	CHEMICAL FILTER /PLASTIC/
33	101814782	1	SCREW K50X18 WN 1412 GALVANIZED
34	7181625	1	FAN HOUSING
35	1800796	1	WASHER M8
36	61467	1	HEXAGON NUT M8
38	1814508	1	SCREW EJOT- K50X16 T25 W N 1452 SW-ZN
39	7181630	1	AIR FUNNEL
40	301000032	1	FUEL PUMP VSC 63 200V/ JAPAN
40	3821583	1	FUEL PUMP 220-240V 220-440V
40	3821584	1	FUEL PUMP 110-115V 110-115V
41	8917	1	SCREW M6X12
42	1800440	1	WASHER -1101320 -1103440
43	7181342	1	OIL LINE
44	64445	1	ANTI SCALE VALVE
45	7181341	1	FUEL PIPE -PUMP / VALVE
50	1810084	1	HOSE CLIP 10.8/12.3
51	5226220	1	HOSE D6X2.5

# Cabinet

## 30 HA MASTER

09-02-2015

Part List ID  
30HAM02

5

Pos	Part no.	Qty	Description
52	6184100	1	FUEL FILTER
53	7181624	1	FUEL TANK
54	1604222	1	STRAINER
55	7181627	1	ENGINE SHELL LEFT
56	7181645	1	MOTOR SHELL. RIGHT
57	7181018	1	RUBBER SHEET
58	2450004	1	HOSE 1200MM
59	2399	1	HOSE LINER
60	7181600	1	CHASSIS
61	6122531	1	SCREW Ø 3X22. 5
62	3806262	1	STRAIN RELIEF BRACKET 27.
63	5218652	1	STRIP FOAM RUBBER
65	7181905	1	REP.KIT OUTLET PIPE
66	6184282	1	RUBBER SEAL
67	1801075	1	PACKING RING 23.8X17.2X2 3/8 INCH St-NBR
68	1600493	1	Nippel F. Q-COUPL. 3/8 INCH
68	1603101	1	NIPPLE F/QUICK COULING 3/8 SS
69	64235	1	CONVERTER KEW/WAP
70	7181937	1	DRIVING WHEEL - X2. COMPL
71	7180737	1	SHAFT CLAMPING CAP DIA. 1
72	1814618	1	PLAIN WASHERS
73	1800796	1	WASHER M8
74	1813385	1	SCREW 8X60 DIN 912 8.8 GALV
75	7181902	1	WHEEL AXLE / BOILER BUTTOM
76	1814626	1	CIRCLIP
77	2013496	1	GUIDE ROLLER
81	1810084	1	HOSE CLIP 10.8/12.3

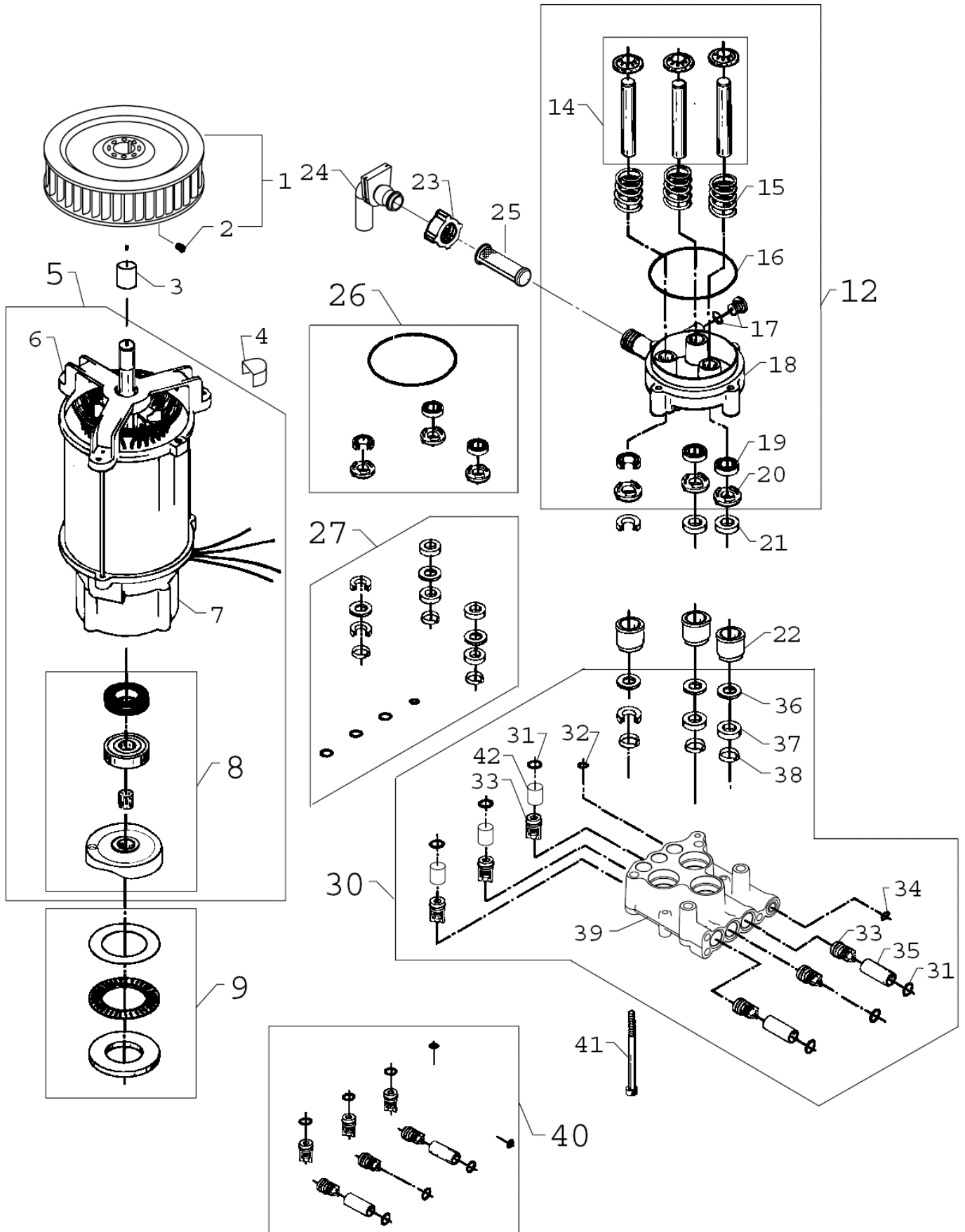
# Motor (a)

30 HA MASTER

09-02-2015

Part List ID  
30HAM04

6



# Motor (a)

## 30 HA MASTER

09-02-2015

Part List ID  
30HAM04

7

Pos	Part no.	Qty	Description
-	5218433	1	PUMP OIL 150 1X1L
1	301000058	1	IMPELLER 160
2	49500	1	SET SCREW DIN 915 M8X12
3	7181226	1	SLEEVEØ17 /Ø14 H 23.6
4	7181629	1	RUBBER BUFFER
5	7180910	1	MOTOR W. WOBBLE DISC 400/230V
5	7180912	1	MOTOR W. WOBBLE DISC 440/220V6
5	7180967	1	MOTOR W. WOBBLE DISC *US,115V,60HZ*
5	7180971	1	MOTOR W. WOBBLE DISC 220V,60HZ
5	7180973	1	MOTOR 1X230V 50HZ 12A 400V,50 HZ
5	7181925	1	MOTOR W.WOBBLE DISC 230-240V-12V
5	7181926	1	USE 7180910 3010000571
8	1119389	1	WOBBLE DISC 115V 60HZ REP.KIT
8	1119703	1	WOBBLE DISC 50HZ REP.KIT
8	1119704	1	WOBBLE DISC 60HZ REP.KIT
8	1119796	1	WOBBLE DICC REP.KIT
8	1119833	1	WOBBLE 12A 60HZ REP.KIT
9	1119705	1	BEARING REPAIR KIT
12	7181908	1	CYLINDERBLOCK COMPL
14	1119791	1	PISTON REP.KIT
15	2602490	1	SPRING
16	3003654	1	O-RING 80X2 NITRIL 70 SHORE
17	6122313	1	PLUG WITH O-RING
18	7181005	1	CYLINDER BLOCK
19	3003696	1	OIL SLEEVE 14X22X5/7
20	7181006	1	THRUST RING
21	3004259	1	SLEEVE Ø14X22X6
22	7181020	1	THRUST COLLAR
23	1604958	1	UNION NUT FOR HOSE SOCKET
24	7181704	1	SUCTION TUBE
25	6125144	1	FILTER
26	1119800	1	OIL SEAL REP.KIT
27	1119801	1	SEALING SYSTEM REP.KIT 30C/H
30	7181910	1	CYLINDER HEAD COMPL.
31	3004222	1	O-RING 15.1 X 1.6 NITRIL SH 90
32	3001823	1	O-RING 6.1X1.6 NITRIL 70 SH
33	7180906	1	VALVE COMPL.
34	3003688	1	O-RING 11.11X1.78 NITRIL 70 SH
35	6122475	1	SPACER FOR VALVE
36	3004277	1	BACK-UP RING 14X22X1.9
37	3004227	1	U-SLEEVE
38	3004228	1	WS-RING
39	7181028	1	CYLINDER HEAD

**Motor (a)**  
30 HA MASTER

09-02-2015

Part List ID  
30HAM04

8

Pos	Part no.	Qty	Description
40	1119707	1	VALVE SYSTEM REP.KIT
41	1814589	1	SCREW M8X90 DIN 912-8.8



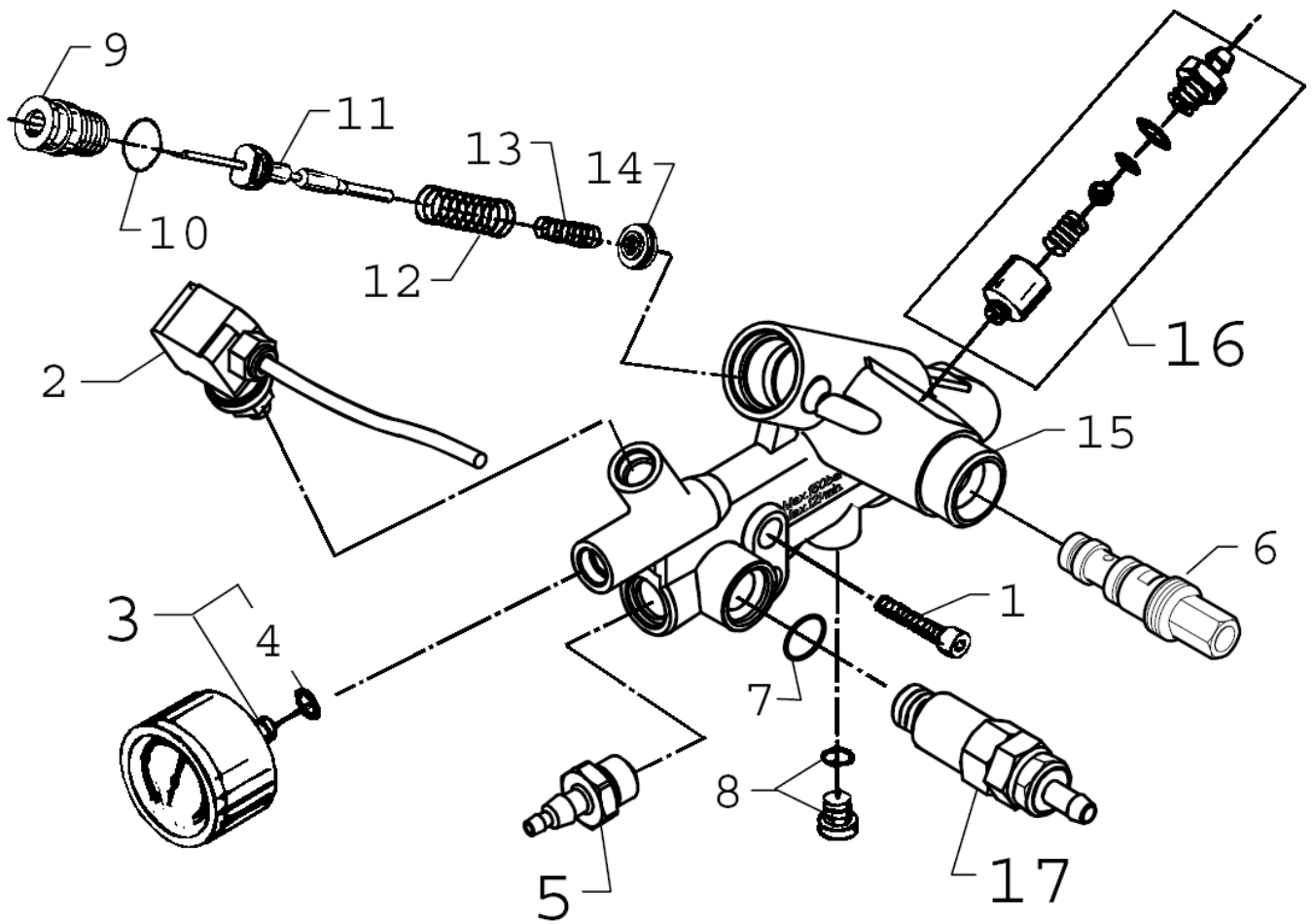
# Motor (b)

30 HA MASTER

09-02-2015

Part List ID  
30HAM06

9



# Motor (b)

## 30 HA MASTER

09-02-2015

Part List ID  
30HAM06

10

Pos	Part no.	Qty	Description
1	1813864	1	SCREW M8X35
2	7181913	1	PRESSURE SWITCH 11 BAR COMPL.
3	7180931	1	PRESSURE GAUGE WITH O-RING
4	3003662	1	O-RING 6.0X2.0 NITRIL 70 SH
5	6187123	1	VENTING VALVE
6	6124310	1	STEERING NOZZLE COMPL.
6	7180932	1	STEERING NOZZLE GREY
7	3001070	1	O-RING 13.1X1.6 NITRIL 90SH
8	6123655	1	PLUG W. O-RING REP.KIT
9	6523000	1	STUFFING BOX COMPL.
10	3004245	1	O-RING Ø15.88X2.62 NITRIL 90 SH
11	6523003	1	PISTON F. S/S COMPL.
12	2602510	1	SPRING
13	2602509	1	SPRING FOR AUTO S/S
14	7181939	1	VALVE CONE SEAT
15	7180658	1	VALVE HOUSING 30HA STD.
16	6124314	1	HOSE TAIL COMPL. DETERGENT
17	7181188	1	SAFETY VALVE 30HA STD.

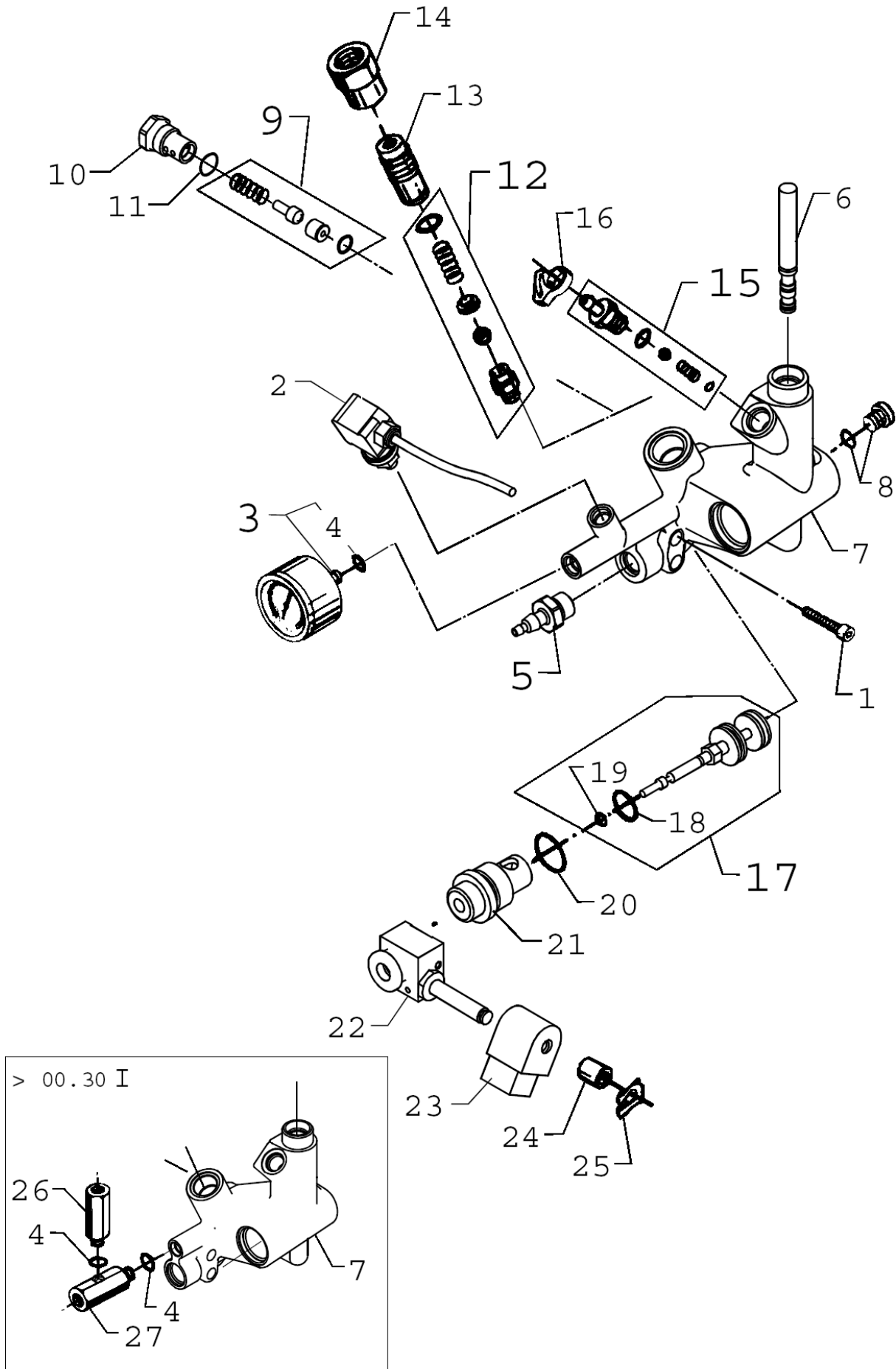
# Motor (c)

30 HA MASTER

09-02-2015

Part List ID  
30HAM08

11



# Motor (c)

## 30 HA MASTER

09-02-2015

Part List ID  
30HAM08

12

Pos	Part no.	Qty	Description
1	1813864	1	SCREW M8X35
2	7181913	1	PRESSURE SWITCH 11 BAR COMPL.
3	7180931	1	PRESSURE GAUGE WITH O-RING
4	3003662	1	O-RING 6.0X2.0 NITRIL 70 SH
5	6187123	1	VENTING VALVE
6	7181906	1	INJECTOR NOZZLE W. O-RING
6	7181907	1	INJECTORNOZZLE W.O-RING COMPL
6	7181914	1	INJECTOR NOZZLE W. O-RING
7	7181037	1	VALVE HOUSING 30HA MASTER
8	6180913	1	HOLE PLUG W. O-RING
9	1119790	1	RETAINING PRESSURE VALVE KIT
9	1119798	1	RETAINING PRESSURE VALVE KIT
10	7181002	1	PLUG
11	3000064	1	O-RING 14.1X1.6 NITRIL 70SH
12	1118512	1	SAFETY VALVE REP.KIT
13	6100940	1	ADJUSTMENT SCREW
14	6100928	1	LOCK NUT
15	1119406	1	NON RETURN VALVE REP. KIT
16	1814029	1	HOSE CLIP
17	1119795	1	PISTON REP.KIT
18	3003860	1	O-RING 13.95X2.62 NITRIL 70SH
19	3000387	1	O-RING 3.1 X 1.6 SMS
20	3001963	1	O-RING 11.6x2.4 SMS 1586 EPDM70
21	6184525	1	PLUG
22	7181935	1	STEAM STAGE
23	3821578	1	COIL 110-200V
23	3821579	1	COIL 220-440V
24	6184533	1	BUSH
25	1813591	1	LOCKING CLIP
26	7181017	1	EXTENSION PIECE
27	7181031	1	EXTENSION PIECE FOR PRESU

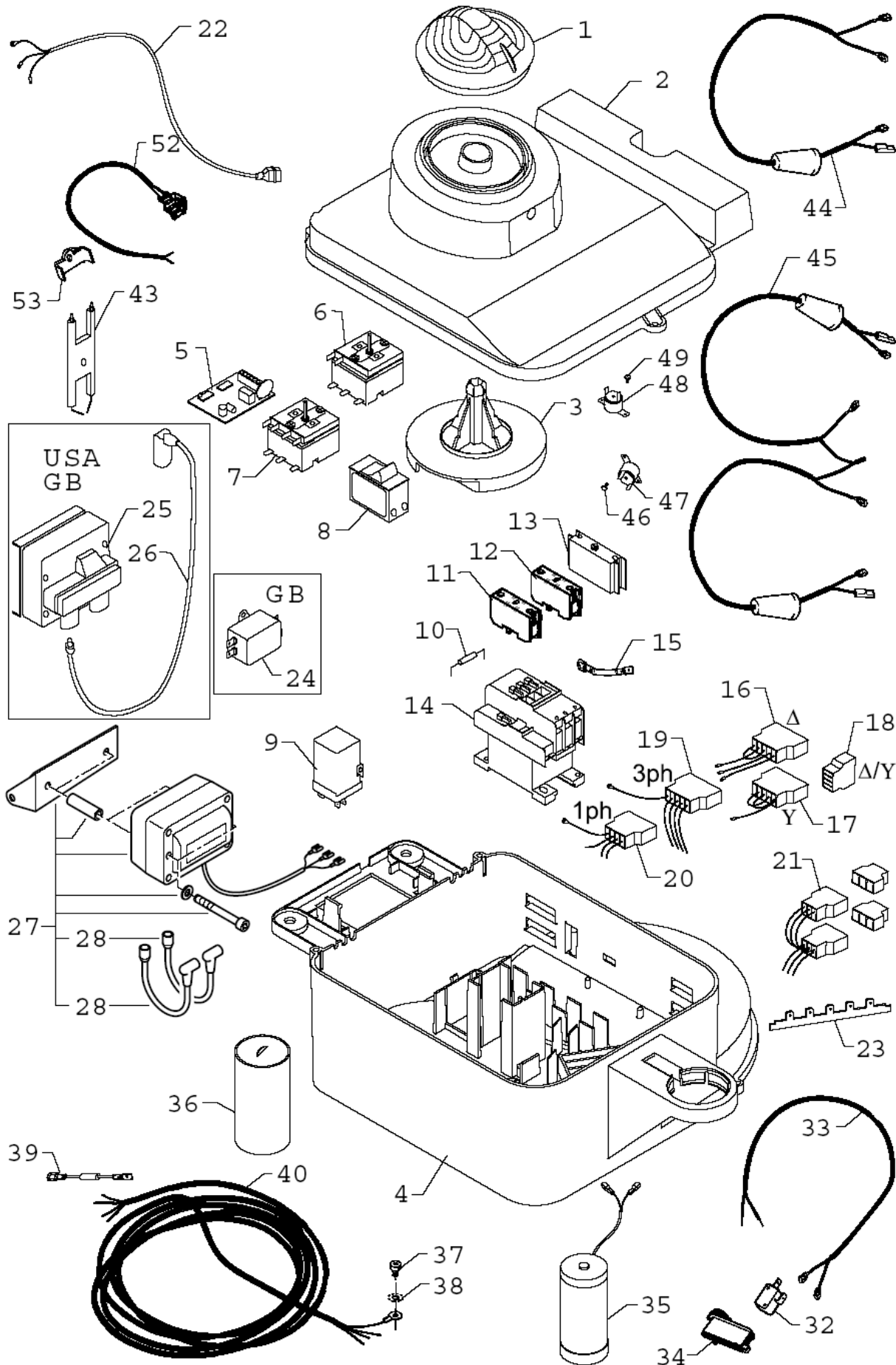
# Electric component

30 HA MASTER

09-02-2015

Part List ID  
30HAM10

13



# Electric component

## 30 HA MASTER

09-02-2015

Part List ID  
30HAM10

14

Pos	Part no.	Qty	Description	
1	7181617	1	ROTARY KNOB	
2	7181614	1	COVER FOR SWITCH BOX	
3	7181641	1	CURVE PAD	
4	7181611	1	ELECTRICAL HOUSING. LOWER	
5	6420050	1	ELECTRICAL CONTROL UNIT	
6	3821745	1	THERMOSTAT WITHOUT STEAM	
7	3821588	1	THERMOSTAT 40-80C	
8	301000051	1	SWITCH 15A 400V 3-POLE	3-POL. 15A/400V
8	3821501	1	SWITCH	
8	3821613	1	SWITCH-WHIP 0-I 240/50	
8	3821614	1	SWITCH 2-POL. 15A 240V	15A
8	3821700	1	ROCKER SWITCH	16A
9	3821581	1	STARTER RELAY 110V. 15V G	110-115V, GREEN
9	3821582	1	STARTER RELAY 220-240V 50	220-240V
10	3821511	1	ESISTANCE 560 OHM 2W	
11	3809464	1	AUXILIARY SWITCH. NO	NO, 3X400/230V,50HZ, 3X440/220V,60HZ
12	3821496	1	AUXILIARY SWITCH. CB-NC	CB-NC, 3X400/230V,50HZ, 3X440/220V,60HZ
13	31000112	1	TIMER	CONTACTOR CL15 16A 230-240V 50HZ
14	103822336	1	CONTACTOR CJX2-D18.200V 3P+NO	C115,200V/50HZ MASTER *JP,50HZ*
14	3821438	1	CONTACT CI15 16A 230-24	CI15,16A,230-240V,50HZ, 230/400V,50HZ
14	3821439	1	CONTACT CI15 16A 400V 5	CI15,16A,400V,50HZ
14	3821440	1	CONTACTOR CI15 16A 415V 5	CI15,16A,415V,50HZ
14	3821568	1	CONTACT CI15 16A 220V 6	CI15,16A,220/440V,60HZ, 220V,60HZ
14	3821589	1	CONTACT 115/60/16A	CI15,16A,115V,60HZ
14	3821610	1	CONTACT CI15 110/50/16A	CI15,16A,110V,50HZ
15	7180245	1	RESISTANCE	
16	7181422	1	PLUG 5-POLAR 3X400/230 DE	3X400/230V,50HZ - 3X440/220V,60HZ
17	7181421	1	PLUG 5-POLAR. 3X400/230 Y	3X400/230V,50HZ - 3X440/220V,60HZ
18	7181419	1	PLUG FOR MOTOR. FOUR-POLE	3X400/230V,50HZ - 3X440/220V,60HZ, 3X200V,50/60HZ*
19	7181420	1	PLUG 5-POLAR 3PH	
20	7181418	1	MOTOR CABLE	
20	7181420	1	PLUG 5-POLAR 3PH	
20	7181430	1	PLUG 5-POLAR. COMPL.	
21	7181423	1	PLUG 3-POLAR. OIL PUMP/NO	
22	7181426	1	CABLE FOR STEAM STAGE	
22	7181430	1	PLUG 5-POLAR. COMPL.	
23	7181416	1	SPADE TERMINAL BLOCK	
24	3821686	1	INTERFERENCE FILTER	*GB,1X110V*
25	301150002	1	30H IGNITION TRANS. KIT	*US,1X220V,60HZ*
25	301150003	1	30H IGNITION TRANS. KIT	*GB,110V,50HZ*
26	7181443	1	SPARK PLUG CABLE	*US*
27	301150002	1	30H IGNITION TRANS. KIT	220-240V
28	301000093	1	IGNITION WIRE 290MM 30HA	220-240V

# Electric component

## 30 HA MASTER

09-02-2015

Part List ID  
30HAM10

15

Pos	Part no.	Qty	Description
32	3821437	1	MICRO SWITCH
33	3830062	1	INTERCONNECTING CABLE FOR
34	126482241	1	BOX FOR MICROSWITCH
35	3821343	1	CAPACITOR 50AF 220-240V
35	3821626	1	CONDENSER-OPERATION 100AF 115V, 110V
36	3821063	1	CAPACITOR START-UP 160 220-240V
36	3821695	1	CAPACITOR. START-UP. 500A 115V,110V
36	3821696	1	CONDENSER STANDARD I, MASTER I, 220V,60HZ
37	1800606	1	SCREW CROSS M4X10 FZB DIN7985
38	1810308	1	STAR WASHER M4 INTERN.TOOTHING
39	301000053	1	CAPACITOR 1MICRONFOR 250V
39	7180290	1	CAPACITOR 0.68 MICRONF
40	301000043	1	CABLE 4X2.0X8.5M WITHOUT *JP,200V/50/60HZ*
40	3821142	1	POWER CORD SJTWAWG 12/3X11 *US,220V,60HZ*,
40	3821649	1	POWER CORD SJTW AWG14/3X11M 115V,60HZ
40	7180201	1	ELECTRIC CABLE COMPL. 400V,415V,230/400V, 240V 50HZ GB
40	7180225	1	POWER CORD RN-F 3G1.5X6 *GB,240V*, H07RN-F 3G1,5X 7,5 CEE7 FLH/RZ
40	7180226	1	POWER CORD RN-F 3G1.5X6M CEE7/VII *AU* *EU*
40	7180230	1	SUPPLY CORD H07RN-F3G1.5 *CA,KR* *AU,240V*
40	7180231	1	SUPPLY CORD STOW-A 14/3 *GB* 110V, 220V,60HZ
40	7180232	1	ELEC. CABLE. 110V 50HZ GB *GB,110V*, 20A
43	7181221	1	BRACKET FOR ELECTRODE
44	7181454	1	CABLE. COMPL.
45	7181453	1	CABLE. COMPL.
46	1803139	1	SCREW M3X6
47	3819859	1	THERMOSTAT 60 DG. W/AUTO
48	3821744	1	THERMOSTAT 150 C
49	1803139	1	SCREW M3X6
52	7181435	1	CABLE FOR FLAME SENSOR
53	6184328	1	BRACKET FOR ELECTRODE HOL

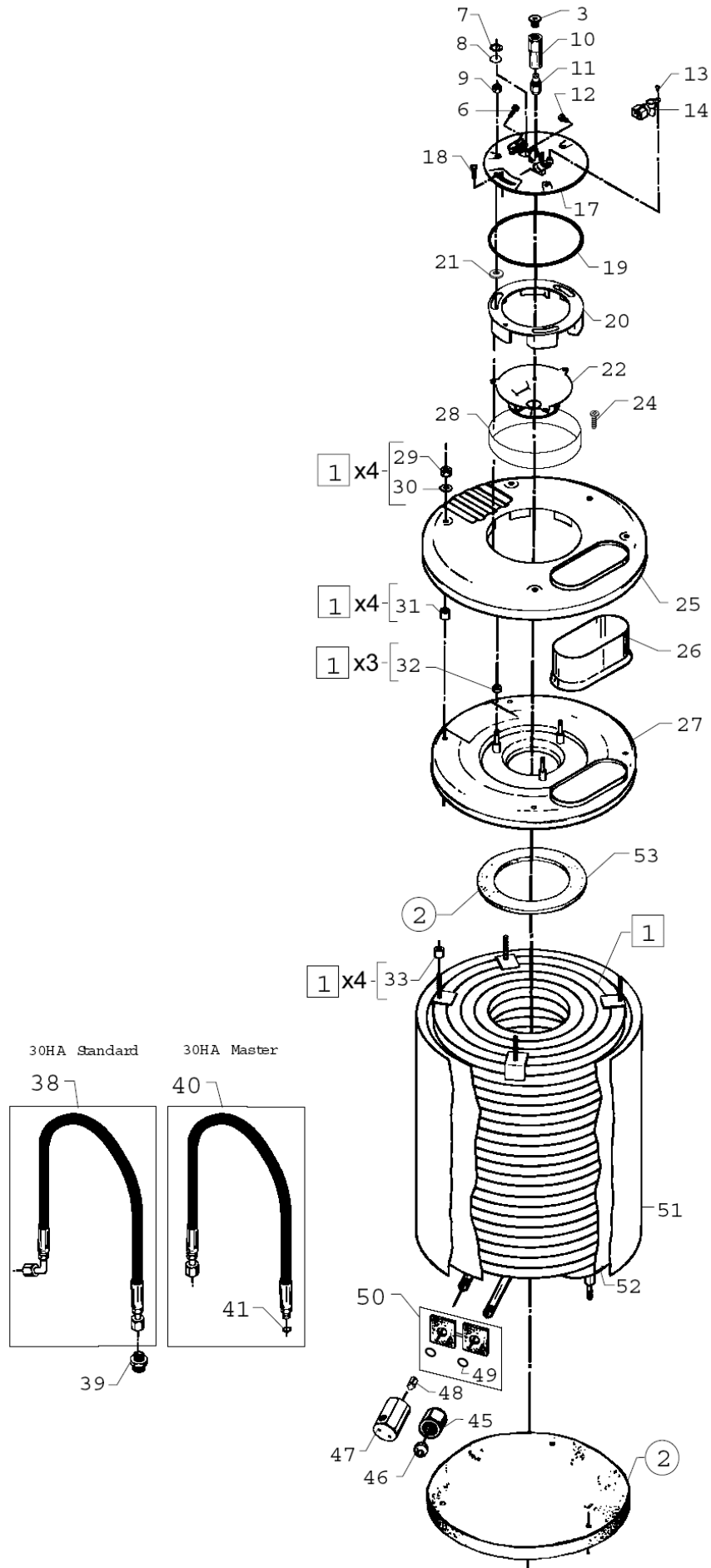
# Boiler

30 HA MASTER

09-02-2015

Part List ID  
30HAM12

16





# Boiler

## 30 HA MASTER

09-02-2015

Part List ID  
30HAM12

17

Pos	Part no.	Qty	Description	
1	7181904	1	BOILER COIL WITH NUTS	
1	7181922	1	COIL	
2	1119794	1	REPAIR KIT	
3	6180913	1	HOLE PLUG W. O-RING	
6	1805464	1	SCREW	
7	1814611	1	CLIP.	
8	6184295	1	INSPECTION GLASS	
9	2760	1	NUT M5 ISO 4032 ZN	
10	7181216	1	HOLDER FOR NOZZLE	
11	2802445	1	OIL NOZZLE 1.25 GAL 80 DEGREES	
11	2802647	1	OIL NOZZLE 1.1 GAL/H 4.2	
11	2802723	1	OIL NOZZLE 1.10 USGAL/H 8	*BE*
11	2802724	1	NOZZLE 1.25GAL/H 4.71KG/	*BE*
12	1803717	1	SCREW FOR NOZZLE	
13	1800606	1	SCREW CROSS M4X10 FZB DIN7985	*SE*
14	6420300	1	SENSOR FOR FLAME MONITOR	*SE*
17	6184272	1	BOILER COVER	*SE*
17	6240262	1	BOILER COVER	
18	1803030	1	SCREW CROSS M5 X 12 FZB DIN7985	
19	6184296	1	GASKET	
20	6184255	1	AIR THROTTLE	
21	1807999	1	WASHER M5 5.3X10X1	
22	6184350	1	AIR DISTRIBUTOR	
24	1813781	1	SCREW M5X8	
25	6184281	1	BOILER TOP. OUTER SECTION	
26	6184259	1	SMOKESTACK	
27	6184360	1	BOILER TOP. INNER SECTION	
28	6184322	1	AIR FILTER	
29	2758	1	HEXAGON NUT M8	
30	1800796	1	WASHER M8	
31	6184275	1	SLEEVE	
32	6184294	1	SLEEVE	
33	6184293	1	SLEEVE Ø13Ø9.5 H12	
38	64444	1	HP HOSE DN10X600 1/4 M2	
39	1602770	1	THREADED CONNECTION 12X1/4 INCH	
40	1450005	1	HIGH PRESSURE HOSE COMPL L 525	
41	3000072	1	O-RING 10.1X1.6 NITRIL 70SH	
45	6184288	1	UNION NUT	
46	6184287	1	NIPPLE	
47	7181220	1	SOCKET FOR INLET	
48	7181026	1	PISTON	
48	7181035	1	PISTON	60HZ
49	3004278	1	O-RING 15.6 X 2.4 SMS	

# Boiler

## 30 HA MASTER

09-02-2015

Part List ID  
30HAM12

18

Pos	Part no.	Qty	Description
50	7181326	1	RUBBER SEAL
51	7181202	1	BURNER SHELL Ø 327X439
52	7181909	1	INSIDE CASING TO CALORIFI
53	1119700	1	COIL GASKET

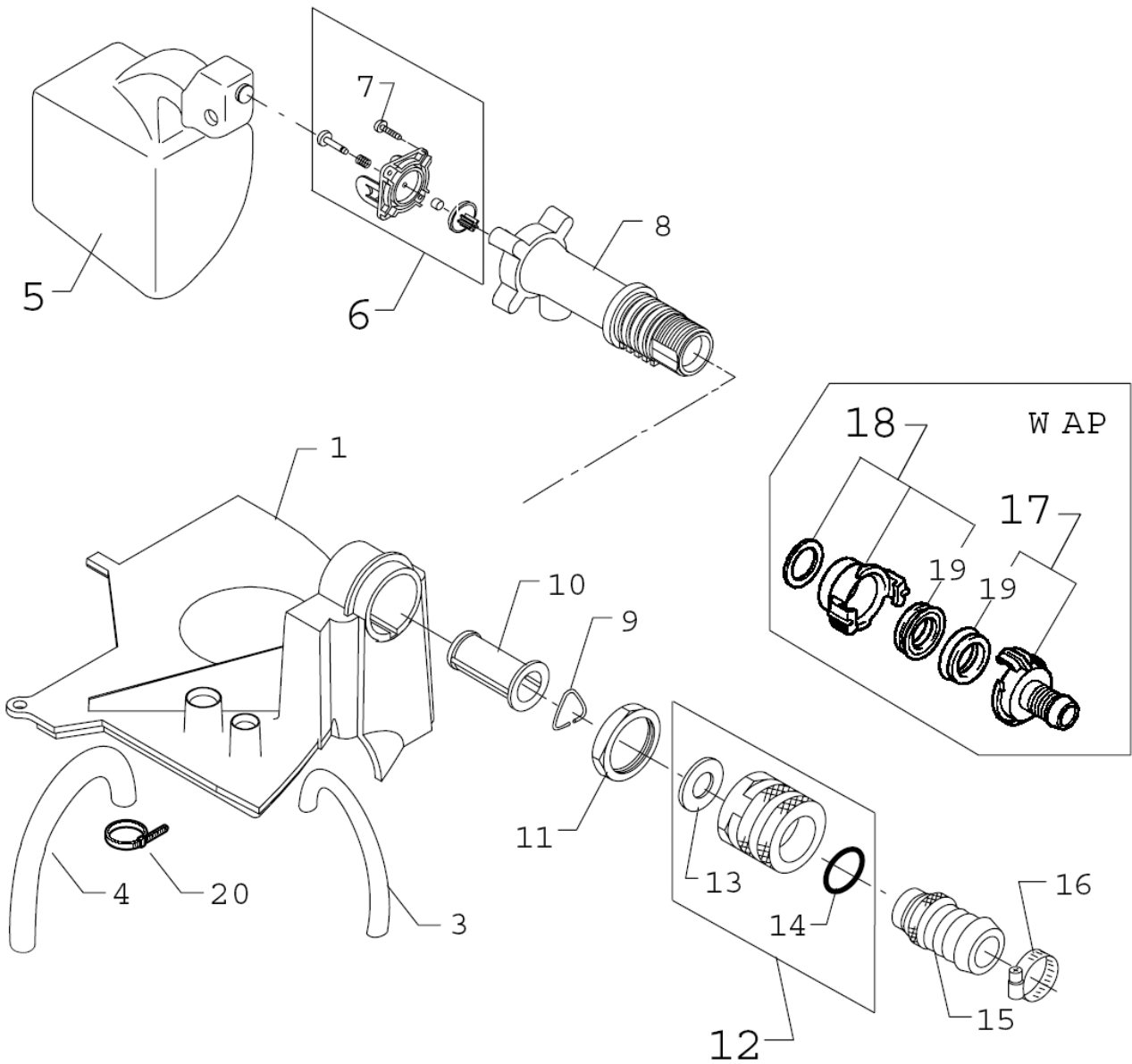
# Float house

30 HA MASTER

09-02-2015

Part List ID  
30HAM14

19



# Float house

## 30 HA MASTER

09-02-2015

Part List ID

30HAM14

20

Pos	Part no.	Qty	Description
1	7181621	1	LID
3	5226147	1	HOSE PVC 4/7.2
			PLEASE INDICATE LENGTHS IN METRES WHEN ORDERING
4	2450004	1	HOSE 1200MM
5	1119793	1	REPAIR KIT
6	1119792	1	REPAIR KIT
7	1813641	1	SCREW EJOT- KB40X16 WN
8	7181700	1	PIPE FOR FLOAT VALVE
9	1807833	1	CLAMPING RING
10	6125144	1	FILTER
11	1800341	1	LOCK NUT 3/4IN
12	1602945	1	QUICK COUPLING 3/4 W/GASKET
13	3001237	1	GASKET Ø24.5XØ16X3 NITRIL 80SH
14	3000320	1	O-RING 20X3 NITRIL
15	1604669	1	NITO COUPLING HOSE END 1
15	1605955	1	NIPPLE F. QUICK COUPLING L.P
			*US*
16	8298	1	HOSE CLIP 16-27
17	1311	1	GEKA COUPLING HOSE END 3/4
18	1718	1	COUPLING GEKA FEMALE - INT THREAD 3/4 IN
19	6502	1	MOULDED GASKET GEKA COUPE
20	15147	1	CABLE STRAP 3.5X1.3X175

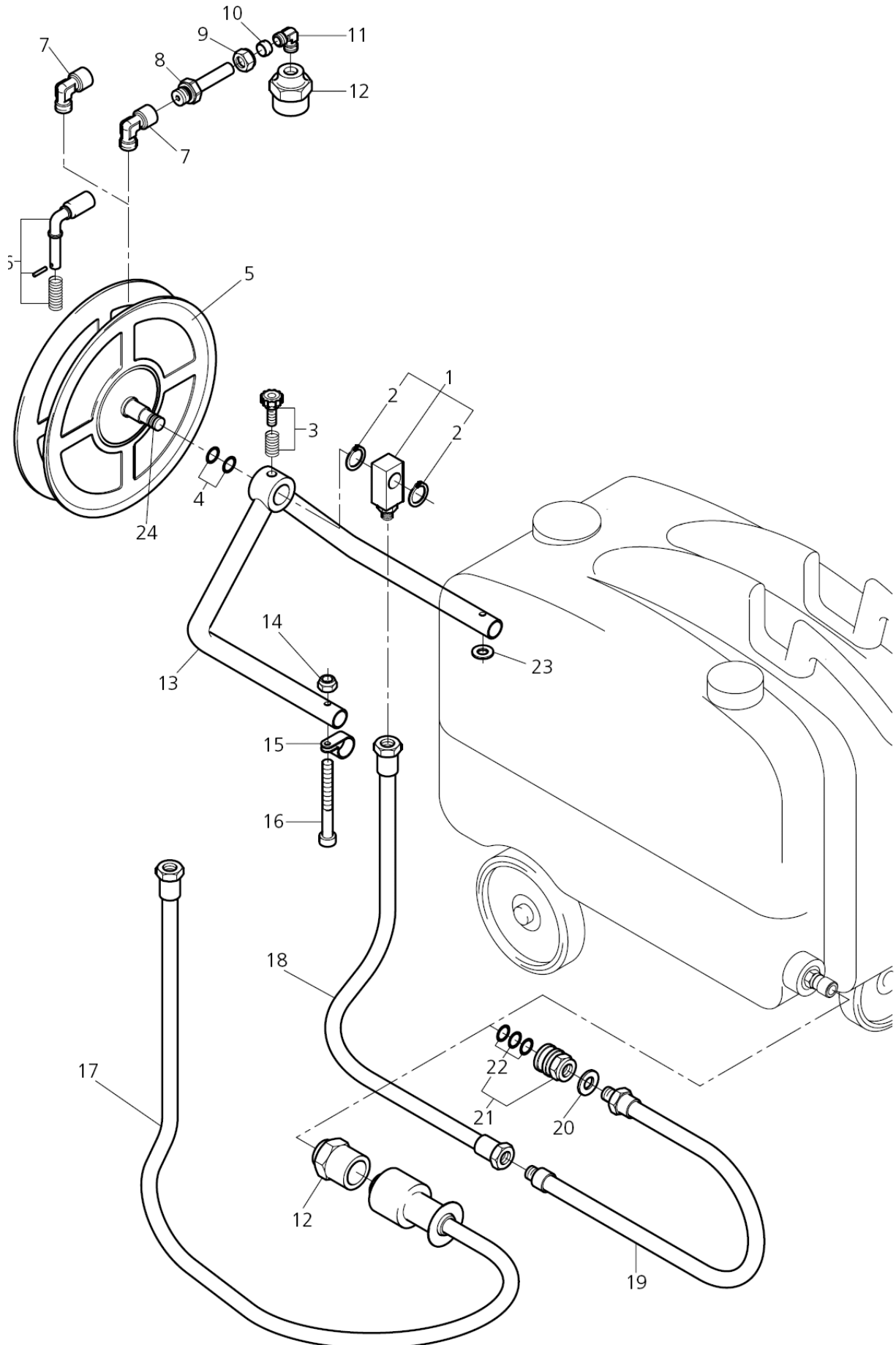
# Hose reel

30 HA MASTER

09-02-2015

Part List ID  
30HAM16

21



# Hose reel

## 30 HA MASTER

09-02-2015

Part List ID  
30HAM16

22

Pos	Part no.	Qty	Description
1	6408011	1	SWIVEL
2	1802057	1	CIRCLIP EXTERNAL 20X1.2 STEEL. DIN 471
3	6408012	1	STAR HANDLE W. SPRING
4	1119398	1	O-RINGS REP.KIT
6	6408014	1	HANDLE COMPL.
7	1609314	1	ELBOW
8	65446	1	SCREW XEVGE 12LR3/8INC X
9	1081	1	UNION NUT L12 DIN 3870-A ST/ZN
10	1080	1	CUTTING RING L12 B DIN 3861 ST/ZN
11	1823	1	ELBOW FITTING 12L WE R 3/8 INCH ZN
12	64235	1	CONVERTER KEW/WAP
13	6408046	1	HOLDER. 30HA
14	11619	1	Lock Nut M6 - 8 A2K DIN985
15	1814625	1	PIPE CLAMP
16	1814624	1	BOLT M6X70
17	65456	1	HP HOSE DN 8X 1.3M M18X1.
18	6408016	1	HOSE COMPL. 3/8 INCH 960MM
20	3001237	1	GASKET Ø24.5XØ16X3 NITRIL 80SH
21	106402075	1	COUPLING - FEMALE/Q-COUPPL 3/8 INCH
22	3000320	1	O-RING 20X3 NITRIL
23	2764	1	WASHER 6.4X1.6
24	6408045	1	SHAFT JOURNAL