

# N 301

---

Model:  
N 301



Part List US-English

14-02-2015

# Table of Contents

N 301

<b>ACCESSORIES 32 MM FOR MODEL 301</b>	<b>3</b>
<b>ACCESSORIES 32 mm, handle, nozzles</b>	<b>5</b>
<b>Floor tool 32mm</b>	<b>7</b>
<b>ACCESSORIES for hand tool 32-38mm</b>	<b>9</b>
<b>ACCESSORIES for handle, nozzles 32mm</b>	<b>11</b>
<b>ACCESSORIES 38 mm, handle, nozzles</b>	<b>13</b>
<b>Motor and housing parts</b>	<b>15</b>
<b>Container parts</b>	<b>17</b>
<b>WATHER PUMP MODEL 301</b>	<b>19</b>
<b>SUCTION MOTOR FOR MODEL 301</b>	<b>21</b>

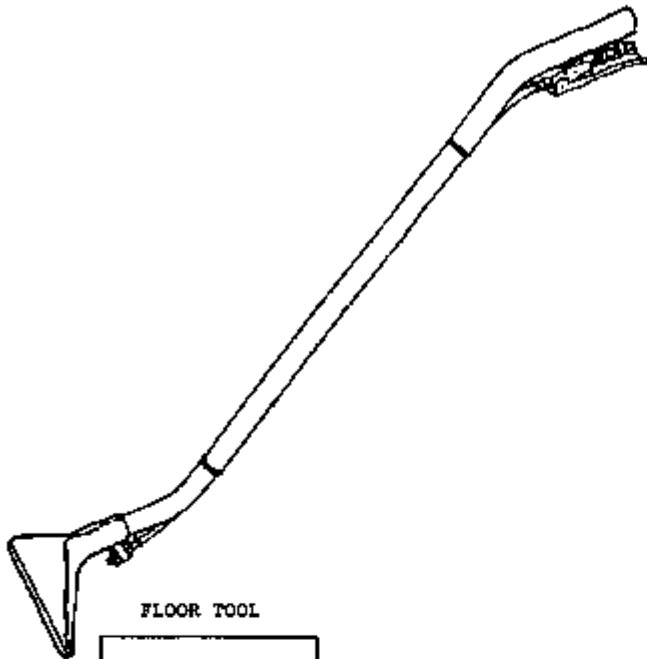
# ACCESSORIES 32 MM FOR MODEL 301

14-02-2015

Part List ID CX5313

N 301

3



FLOOR TOOL

WIDTH 240 mm  
ONE SPRAY NOZZLE  
ALUMINIUM  
07019100  
PLAN 541 A



HAND TOOL

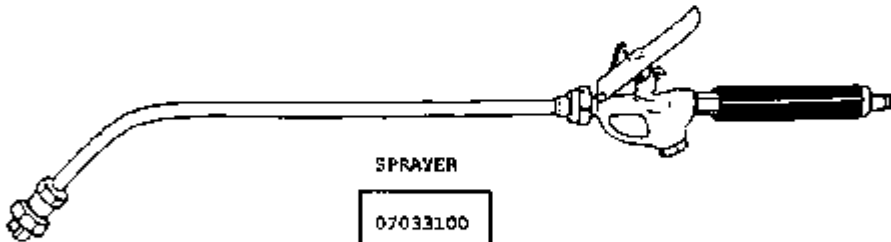
WIDTH 85 mm  
COMBI 32 AL.  
ALUMINIUM  
07030400  
PLAN 541 C



EX-TABS

1 PACKET OF  
50 TABLETS  
07033900

Minimum order  
18 packets



SPRAYER

07033100



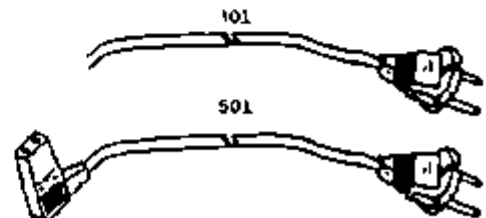
SUCTION HOSE CPL.

301	501
NYLON	
2.5 m	
07016700	
PLAN 550 A	



WATER HOSES CPL.

301	501
PVC	PVC
2.7 m	2.5 m
07044700	07017300
PLAN 545 B	PLAN 550 A



CABLES

301	501
7 m	7 m
07041000	07033000
PLAN 545A	PLAN 550A

# ACCESSORIES 32 MM FOR MODEL 301

N 301

14-02-2015

Part List ID

CX5313

4

Pos	Part no.	Qty	Description
0	L07030400	1	HAND NOZZLE 32MM ALU
0	L07033900	1	EX-TABS BOX A 50 PCS
0	L07044700	1	WATER HOSE COMP.

# ACCESSORIES 32 mm, handle, nozzles

14-02-2015

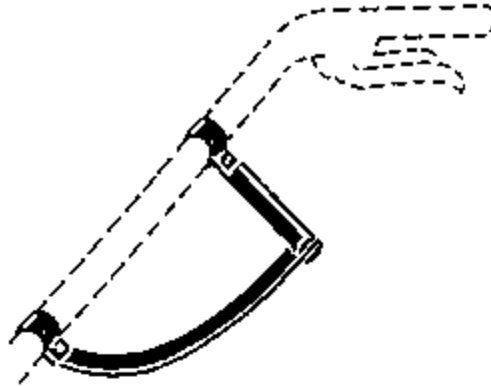
Part List ID CX5315

N 301

5

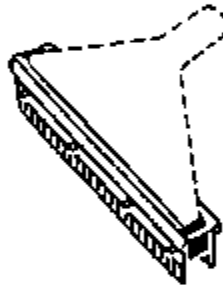
## HAND GRIP

PLASTIC
07044900
PLAN 542 A



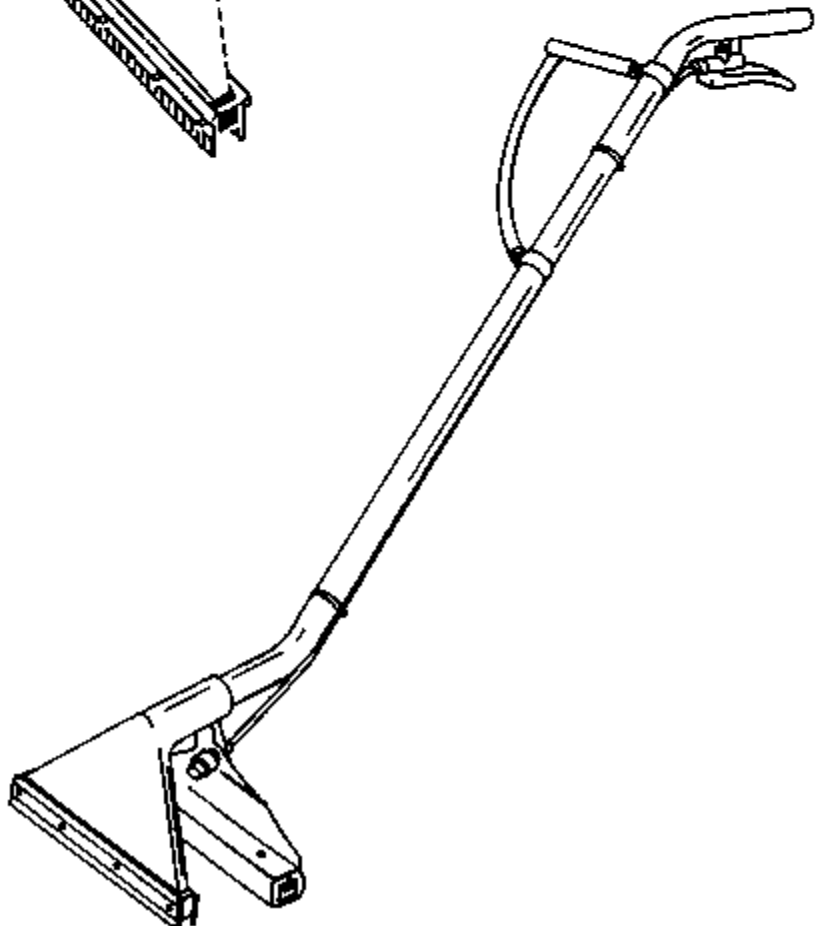
## WATER SUCTION RAIL FOR FLOOR TOOL

STAINLESS STEEL
WIDTH 240 mm
07045400
PLAN 542 B



## SCRUBBING TOOL

WIDTH 240 mm
07047000
PLAN 542 A-C



# ACCESSORIES 32 mm, handle, nozzles

N 301

14-02-2015

Part List ID

CX5315

6

# Floor tool 32mm

N 301

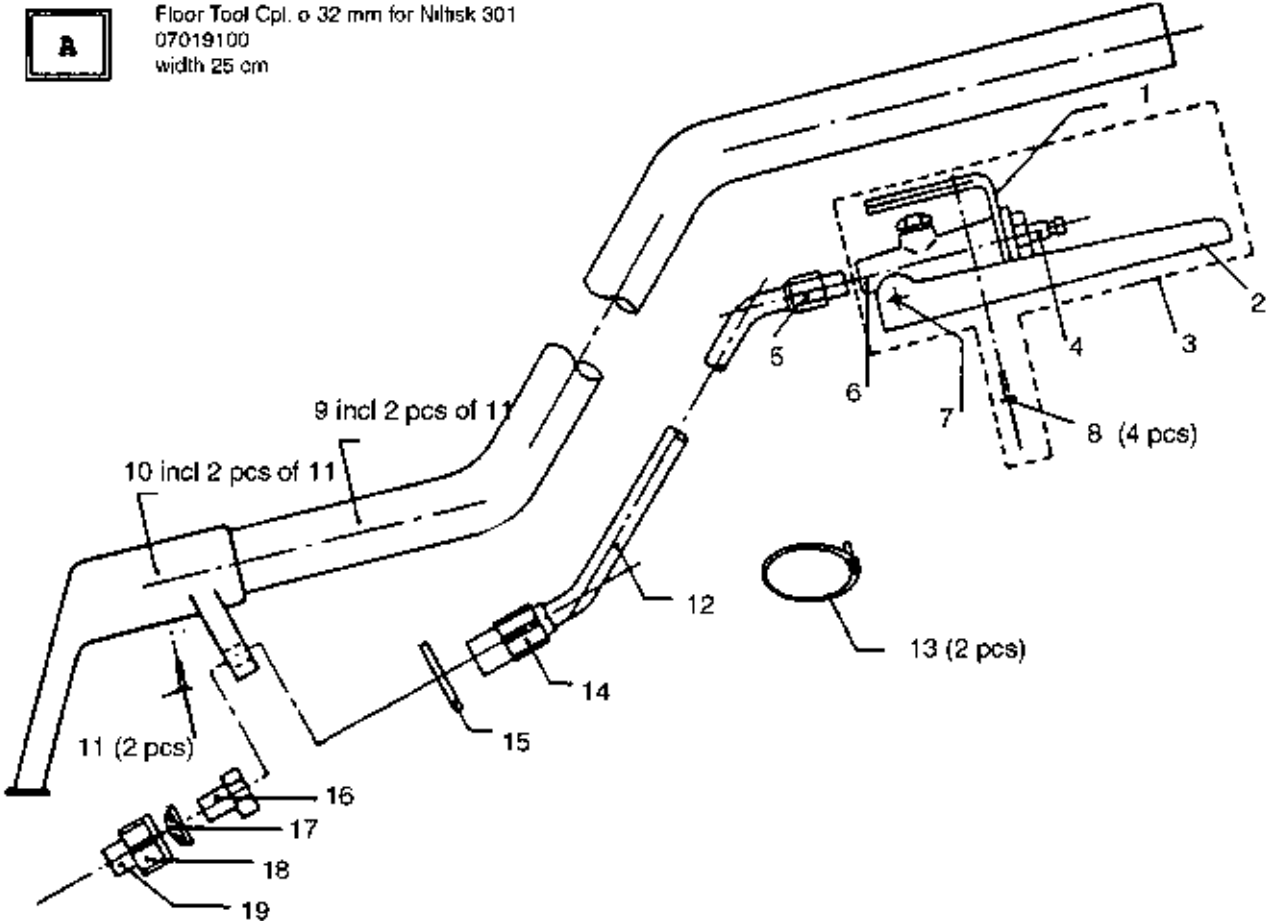
14-02-2015

Part List ID  
CX5317

7



Floor Tool Cpl. ø 32 mm for Niltisk 301  
07019100  
width 25 cm



# Floor tool 32mm

N 301

14-02-2015

Part List ID

CX5317

8

Pos	Part no.	Qty	Description
3	L07019000	1	VALVE/FITTING COMPLETE
4	L07018900	1	PLUG NIPPLE FOR VALVE.
5	L07018400	1	SAMLEMUFFE F NYLONRDR.
6	L07018800	1	VALVE FOR NOZZLE
13	L07016500	1	STRIP BLACK -CABLE TIES
14	L07018200	1	SNAP-COUPLING
16	L07018000	1	COUPLING FOR NOZZLE
17	L07017900	1	FILTER FOR NOZZLE
18	L07017800	1	NOZZLE UNION.
19	L07017700	1	NOZZLE FOR NILFISK.



# ACCESSORIES for hand tool 32-38mm

14-02-2015

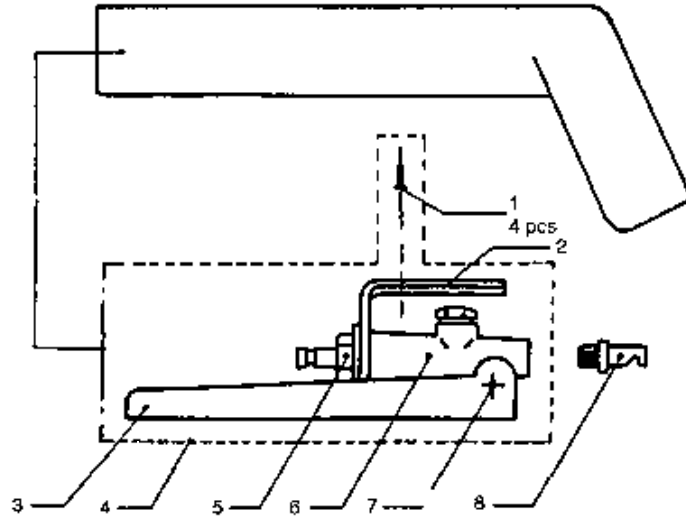
Part List ID  
CX5319

N 301

9

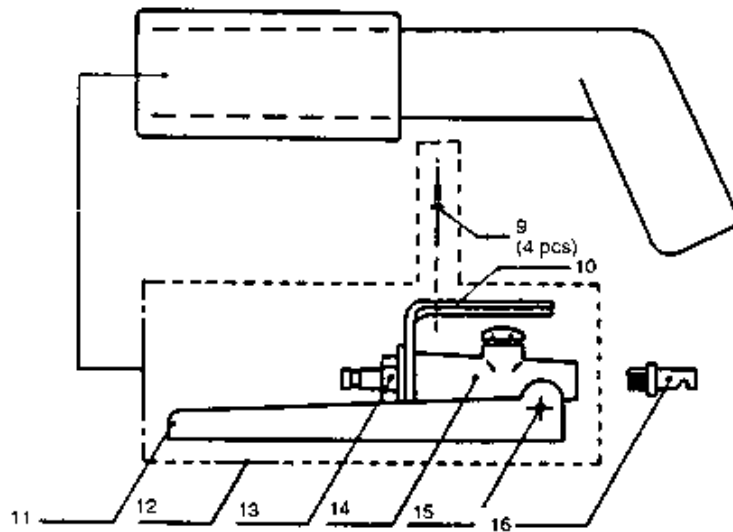
**C**

Hand Tool cpl.-COMBI 32 AL 07030400  
Ø 32 mm Aluminium, width 8.5 cm



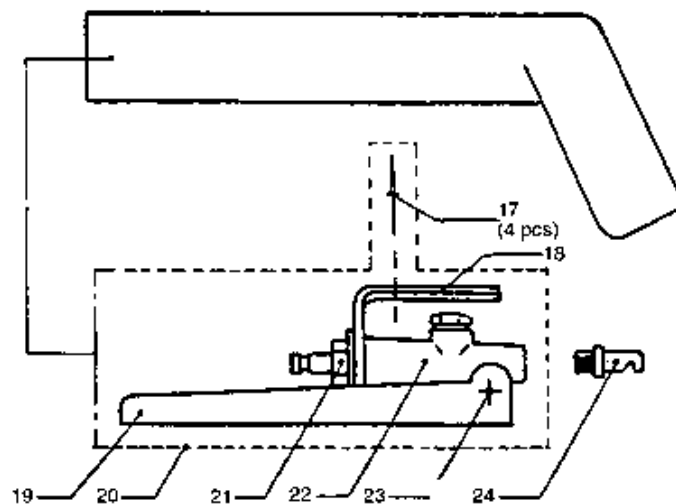
**D**

Hand Tool cpl.-COMBI 38 AL 07031100  
Ø 38 Aluminium, width 11 cm



**E**

Hand Tool cpl.-COMBI 38 SS 07032200  
Ø 38 mm Stainless steel, width 11 cm



# ACCESSORIES for hand tool 32-38mm

N 301

14-02-2015

Part List ID

CX5319

10

Pos	Part no.	Qty	Description
4	L07019000	1	VALVE/FITTING COMPLETE
5	L07018900	1	PLUG NIPPLE FOR VALVE.
6	L07018800	1	VALVE FOR NOZZLE
8	L07030700	1	SPRAY NOZZLE FOR HAND NOZZLE.
12	L07019000	1	VALVE/FITTING COMPLETE
13	L07018900	1	PLUG NIPPLE FOR VALVE.
14	L07018800	1	VALVE FOR NOZZLE
16	L07030700	1	SPRAY NOZZLE FOR HAND NOZZLE.
20	L07019000	1	VALVE/FITTING COMPLETE
21	L07018900	1	PLUG NIPPLE FOR VALVE.
22	L07018800	1	VALVE FOR NOZZLE
24	L07030700	1	SPRAY NOZZLE FOR HAND NOZZLE.

# ACCESSORIES for handle, nozzles 32mm

14-02-2015

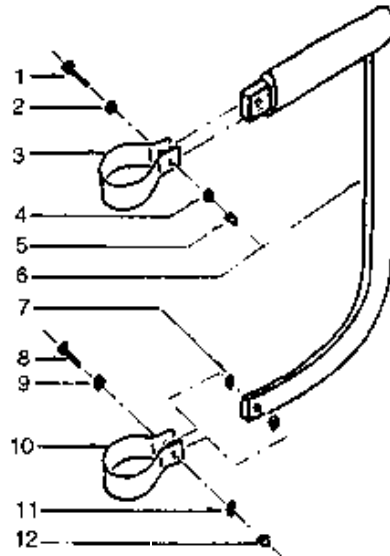
Part List ID CX53111

N 301

11

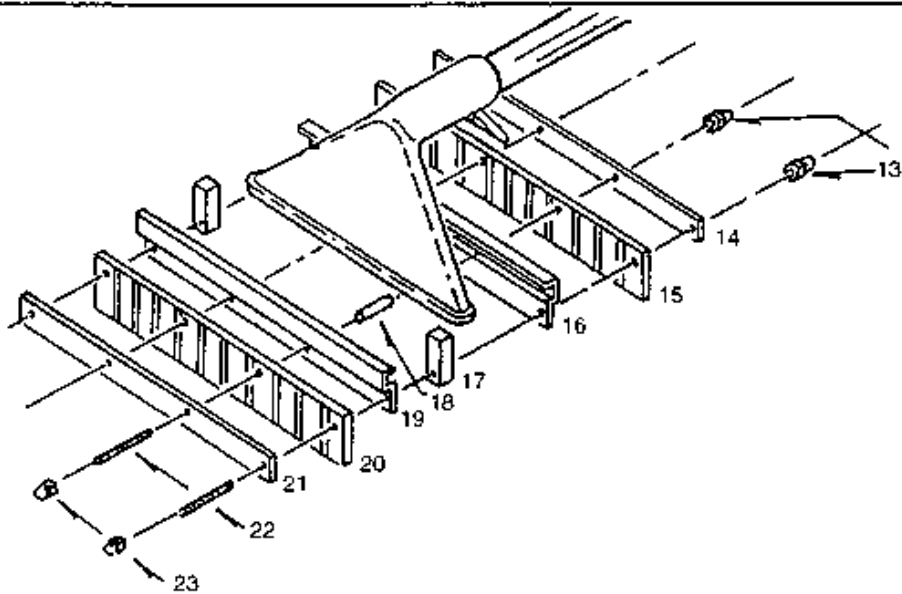
**A**

<b>HANDLE</b>
<b>PLASTIC</b>
<b>07044900</b>



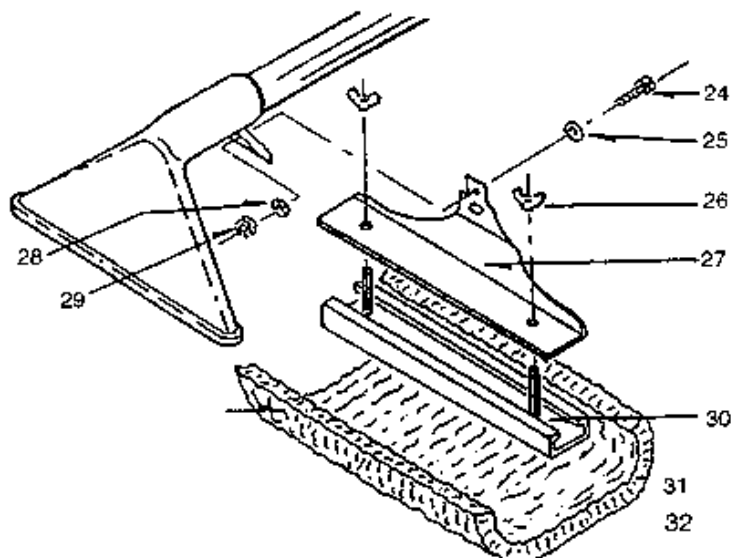
**B**

<b>NOZZLE FOR WATER SUCTION</b>
<b>STAINLESS STEEL</b>
<b>WIDTH 240 mm</b>
<b>07045400</b>



**C**

<b>SCRUBBING PART FOR FLOOR TOOL</b>
--



# ACCESSORIES for handle, nozzles 32mm

N 301

14-02-2015

Part List ID

CX53111

12

# ACCESSORIES 38 mm, handle, nozzles

14-02-2015

Part List ID CX53113

N 301

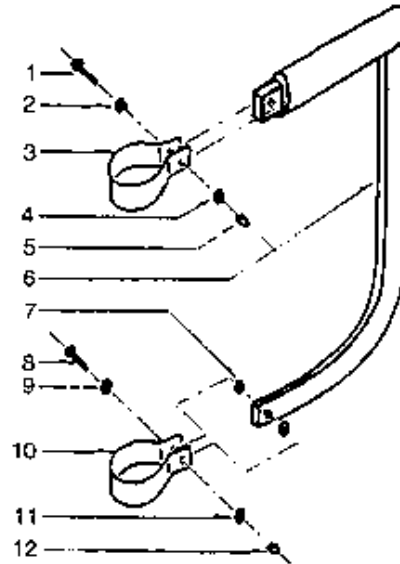
13

**D**

Handle

Plastic

07045200



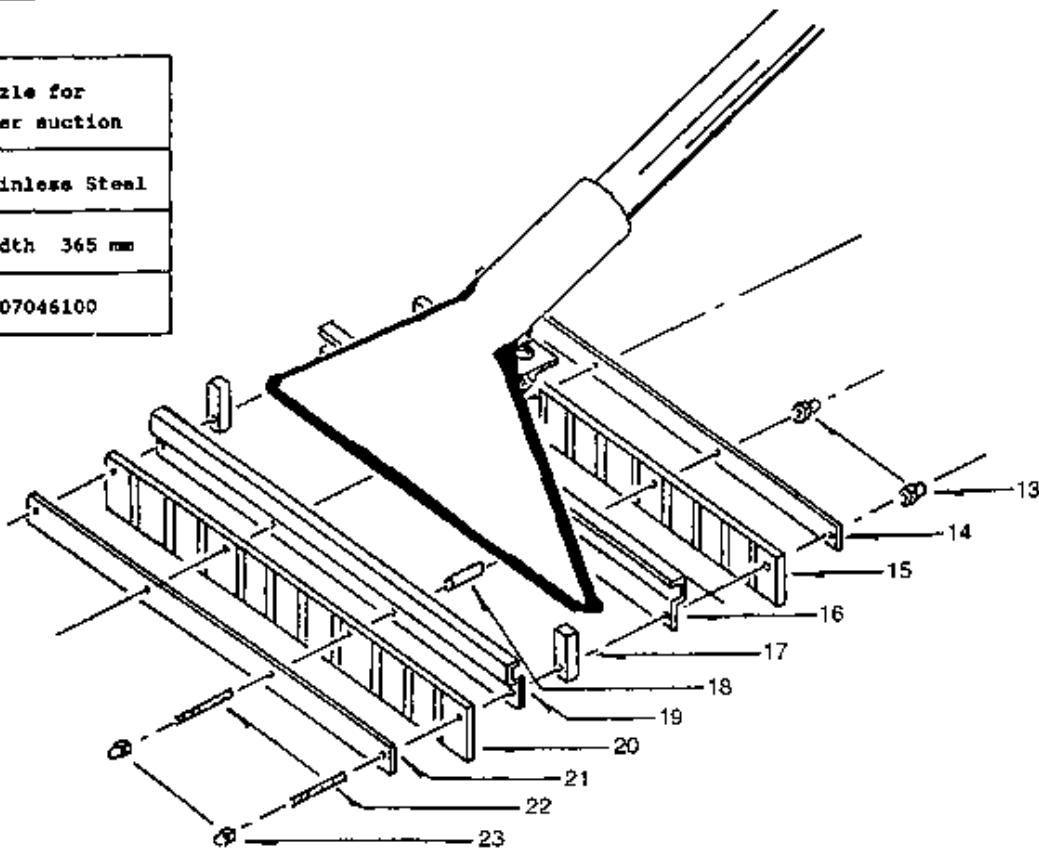
**E**

Nozzle for  
Water suction

Stainless Steel

Width 365 mm

07046100



# ACCESSORIES 38 mm, handle, nozzles

N 301

14-02-2015

Part List ID

CX53113

14

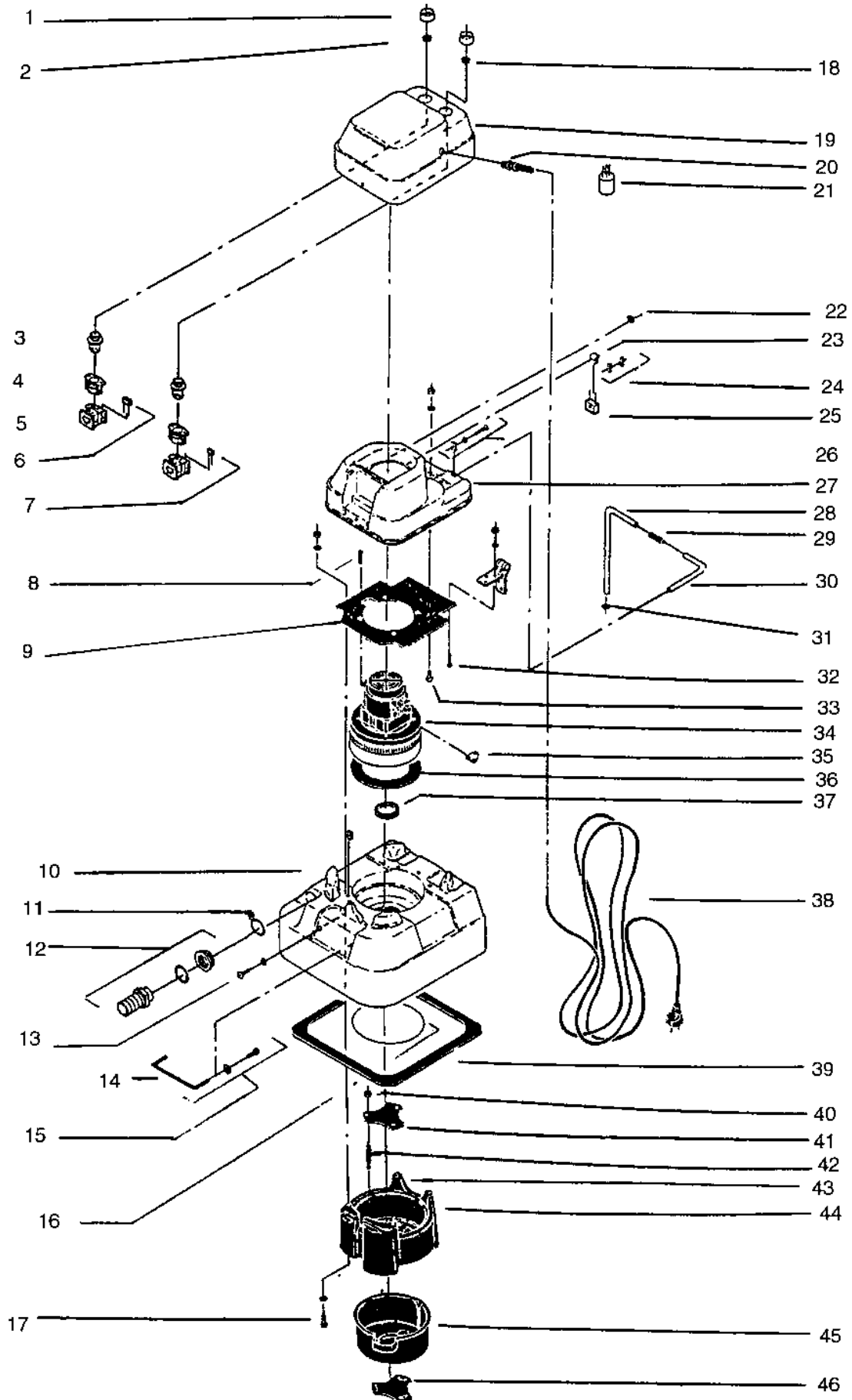
# Motor and housing parts

N 301

14-02-2015

Part List ID CX53115

15



# Motor and housing parts

N 301

14-02-2015

Part List ID

CX53115

16

Pos	Part no.	Qty	Description
1	L07013900	1	UNION NUT FOR SWITCH
2	L07013700	1	BUTTON FOR SUCTION SWITCH
5	L07013300	1	SWITCH FOR 501/301
10	L07042300	1	SPACER FOR 301
12	L07042200	1	VACUUM NOZZLE COMPLETE
15	L07042000	1	HANDLE WITH SCREW FOR 301
19	L07039500	1	LID 301
21	L07032600	1	CHOKE COIL FOR 501/301
34	L07014450	1	VACUUM MOTOR 220-230V
39	L07041100	1	SEAL
41	L07041300	1	COVER
42	L07041400	1	JOYSTICK



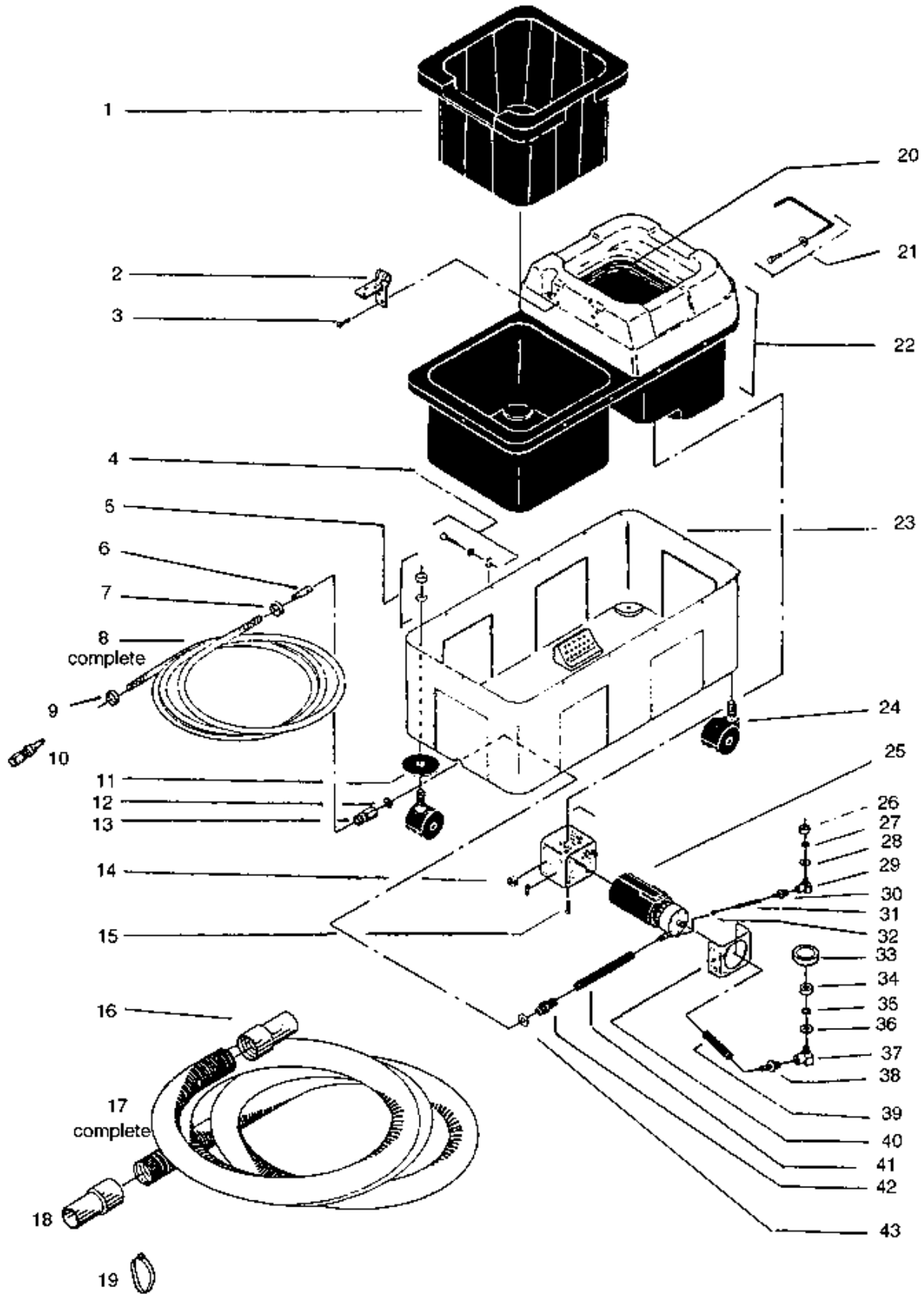
# Container parts

N 301

14-02-2015

Part List ID CX53117

17



# Container parts

N 301

14-02-2015

Part List ID

CX53117

18

Pos	Part no.	Qty	Description
1	L07042600	1	CONTAINER 301
6	L07016100	1	PLUG NIPPLE.
7	L07016200	1	HOSE CLIPS. PRESSURE HOSE.
8	L07044700	1	WATER HOSE COMP.
9	L07016200	1	HOSE CLIPS. PRESSURE HOSE.
10	L07016400	1	SNAP-COUPLING.
12	L07043900	1	PLASTIC PLUG DISC
13	L07016000	1	SNAP-COUPLING FOR N501/301
16	L07016600	1	SUCTION NOZZLE. SUCTION HOSE
18	L07016600	1	SUCTION NOZZLE. SUCTION HOSE
19	L07016500	1	STRIP BLACK -CABLE TIES
21	L07042000	1	HANDLE WITH SCREW FOR 301
23	L07043000	1	BASE COMPLETE
24	L07043100	1	WHEEL FOR NILFISK 301
25	L07014650	1	WATER PUMP + MOTOR CPL.
33	L07038800	1	FILTER FOR CLEAN WATER TANK.
42	L07012900	1	HOSE CONNECTOR FOR PUMP

# WATHER PUMP MODEL 301

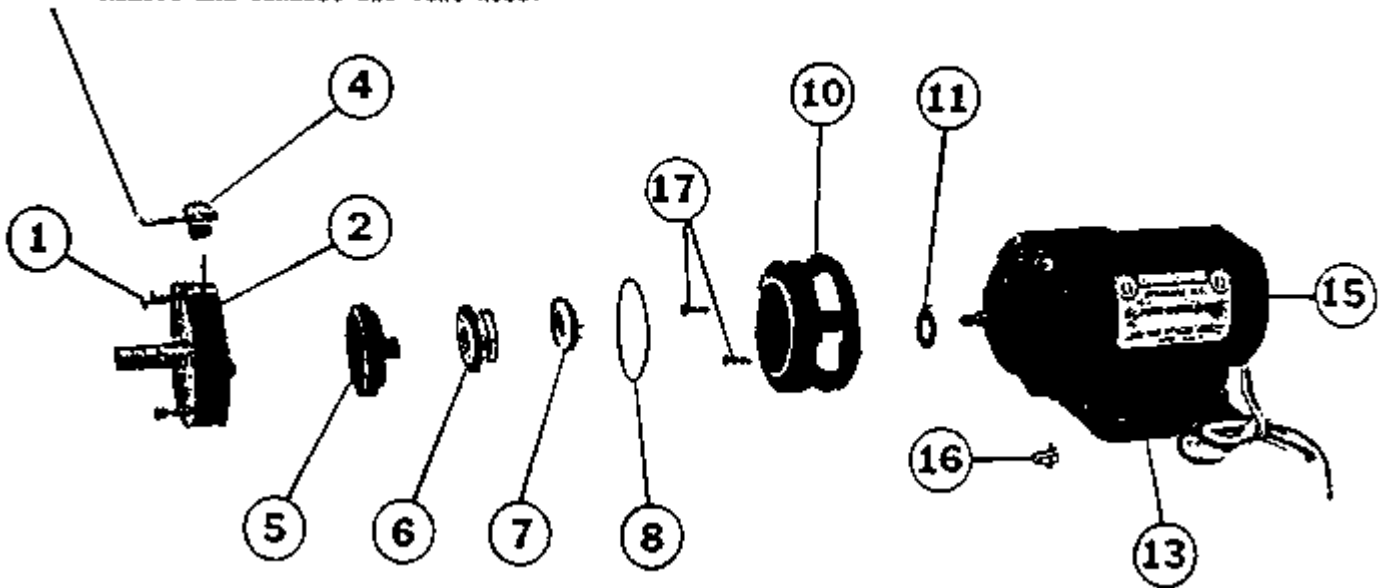
N 301

14-02-2015

Part List ID CX53119

19

**NOTE:** Yellow cap on air vent fitting  
for factory test only.  
Remove and connect air vent hose.



# WATHER PUMP MODEL 301

N 301

14-02-2015

Part List ID  
CX53119

20

Pos	Part no.	Qty	Description
0	L07014650	1	WATER PUMP + MOTOR CPL.
0	L07026250	1	WATER PUMP + MOTOR COMPLETE
0	L07035100	1	WATER PUMP COMPLETE
6	L07034600	1	GASKET HEAD.
8	L07034800	1	O-RING.

# SUCTION MOTOR FOR MODEL 301

N 301

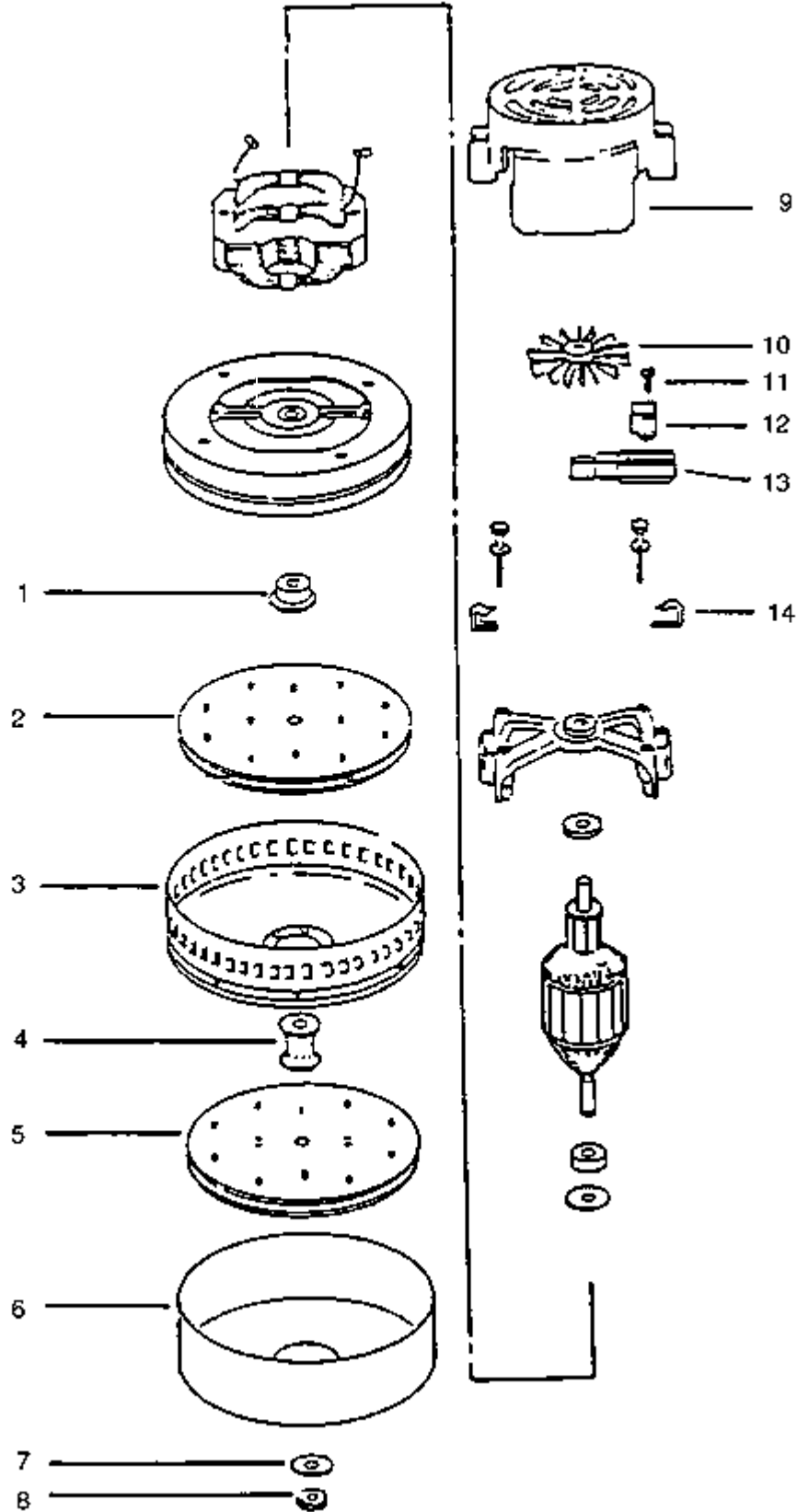
14-02-2015

Part List ID CX53121

21

A

B



# SUCTION MOTOR FOR MODEL 301

N 301

14-02-2015

Part List ID

CX53121

22