

VHW210

Model:
VHW210



Part List US-English

02-04-2015

Table of Contents

VHW210

| | |
|---------------------------|-----------|
| Frame | 3 |
| Container Unit | 5 |
| Absolute Filter | 7 |
| Suction Unit | 9 |
| Electirc System | 11 |
| Electric System 01 | 13 |

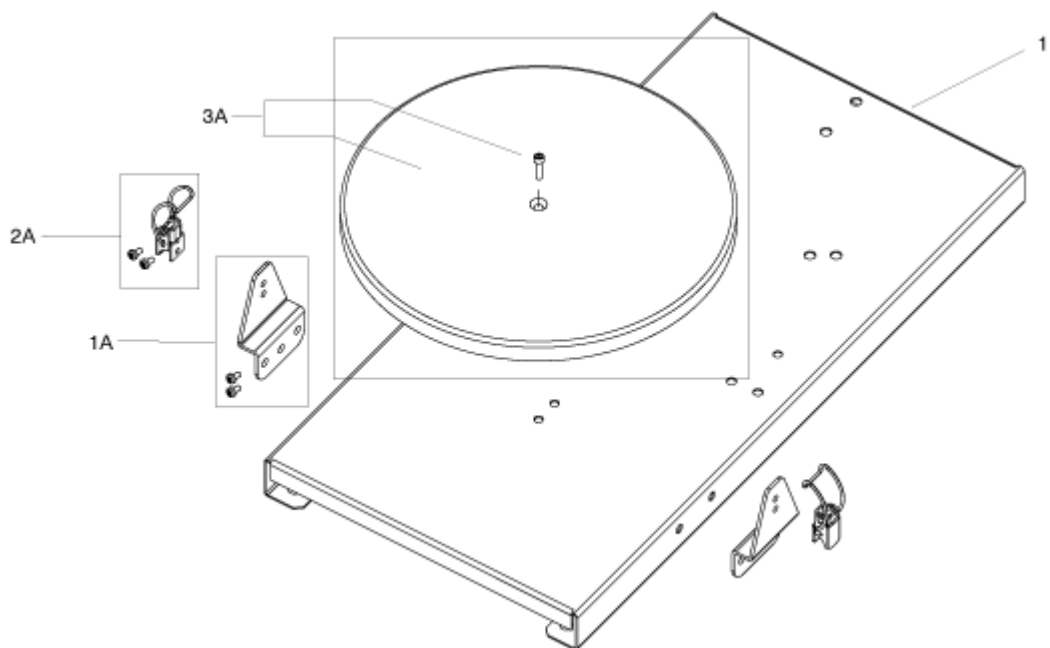
Frame

VHW210

02-04-2015

Part List ID
VHW21001

3



Frame

VHW210

02-04-2015

Part List ID
VHW21001

4

| Pos | Part no. | Qty | Description |
|-----|------------|-----|-------------------------------------|
| 1 | 4083600814 | 1 | BASE HORIZONTAL VHW200-210 FE |
| 1A | 4089100658 | 2 | HOOK SUPPORT KIT VHW210 |
| 2A | 4089100684 | 2 | KIT LEVER LOCK FOR CONTAINER VHW SS |
| 3A | 4089100704 | 1 | KIT GUIDE BOTTOM D280 ZINC PLATED |

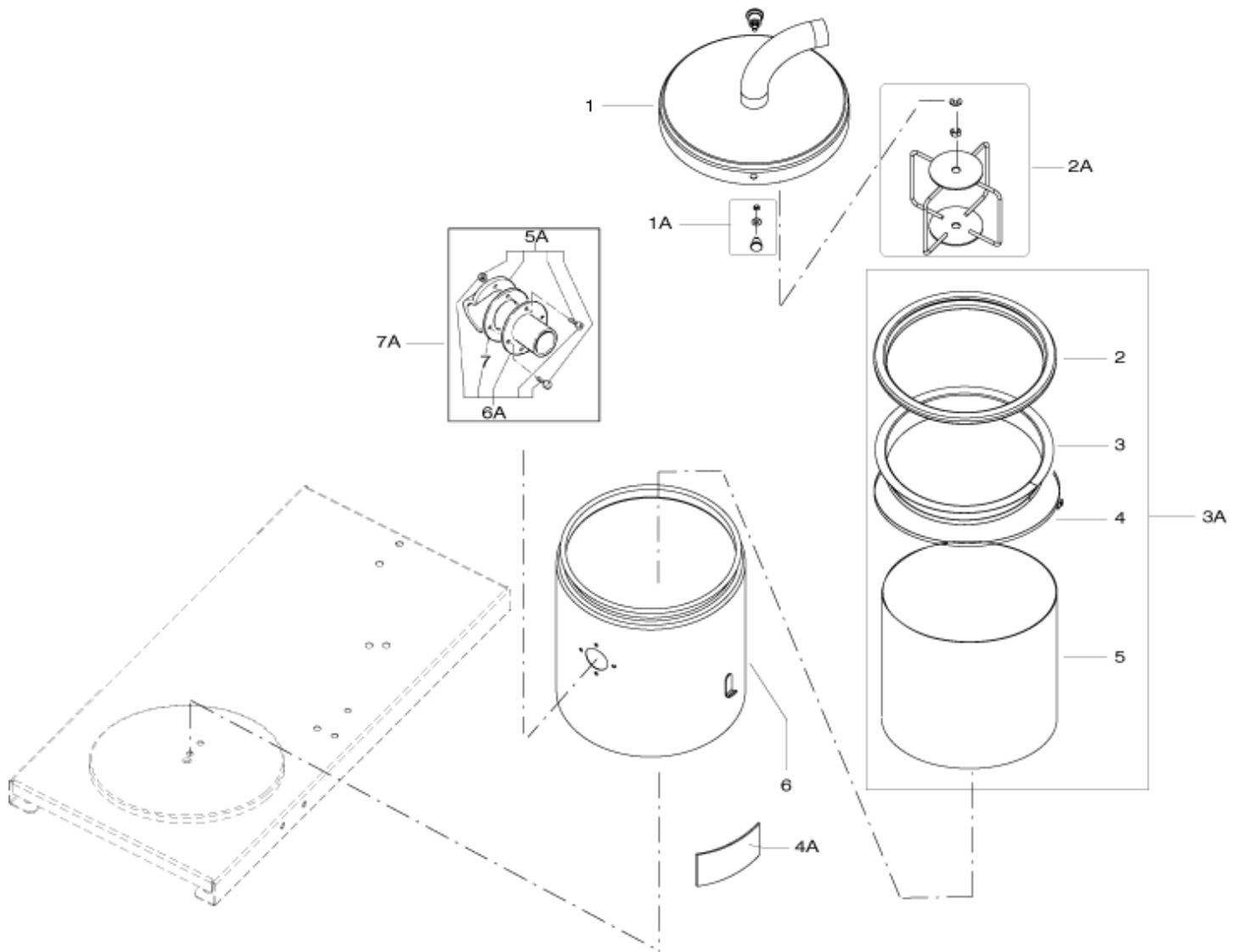
Container Unit

VHW210

02-04-2015

Part List ID
VHW21003

5



Container Unit

VHW210

02-04-2015

Part List ID
VHW21003

6

| Pos | Part no. | Qty | Description |
|-----|------------|-----|--------------------------------------|
| 1 | 4083101401 | 1 | LID D280 VHW R9003 |
| 1 | 4083101402 | 1 | LID D280 VHW SS |
| 2 | 4081701122 | 1 | FILTER RING GASKET D280 VHW |
| 2 | 4081701123 | 1 | FILTER RING GASKET D280 VHW SILICONE |
| 3 | 4081500252 | 1 | FILTER RING D280 VHW FE |
| 3 | 4081500253 | 1 | FILTER RING D280 VHW SS |
| 4 | Z8 18077 | 1 | FILTER BLOCK TIE D280 |
| 5 | Z8 17034 | 1 | BAG FILTER 280 POLYESTER |
| 6 | 4083000793 | 1 | CONTAINER D280 VHW R9003 |
| 6 | 4083000794 | 1 | CONTAINER D280 VHW SS |
| 7 | Z8 17004 | 1 | INLET SEAL D40 |
| 1A | 4089100662 | 1 | POSITIONING PISTON SPRING KIT VHW210 |
| 2A | 4089100663 | 1 | KIT CAGE VHW210 |
| 2A | 4089100664 | 1 | KIT CAGE SS VHW210 |
| 3A | 4083300412 | 1 | FILTER COM.D280 VHW |
| 3A | 4083300413 | 1 | FILTER COM.D280 VHW SS |
| 4A | 4089100680 | 1 | LABELS KIT VHW |
| 5A | 40000400 | 1 | KIT DEFLECTOR D40 FE |
| 5A | 40000402 | 1 | KIT DEFLECTOR D40 INOX |
| 6A | 40000399 | 1 | KIT INLET FE D40 |
| 6A | 40000401 | 1 | KIT INLET INOX D40 |
| 7A | 40000385 | 1 | KIT COMPLETE INLET FE D40 |
| 7A | 40000386 | 1 | KIT COMPLETE INLET INOX D40 |

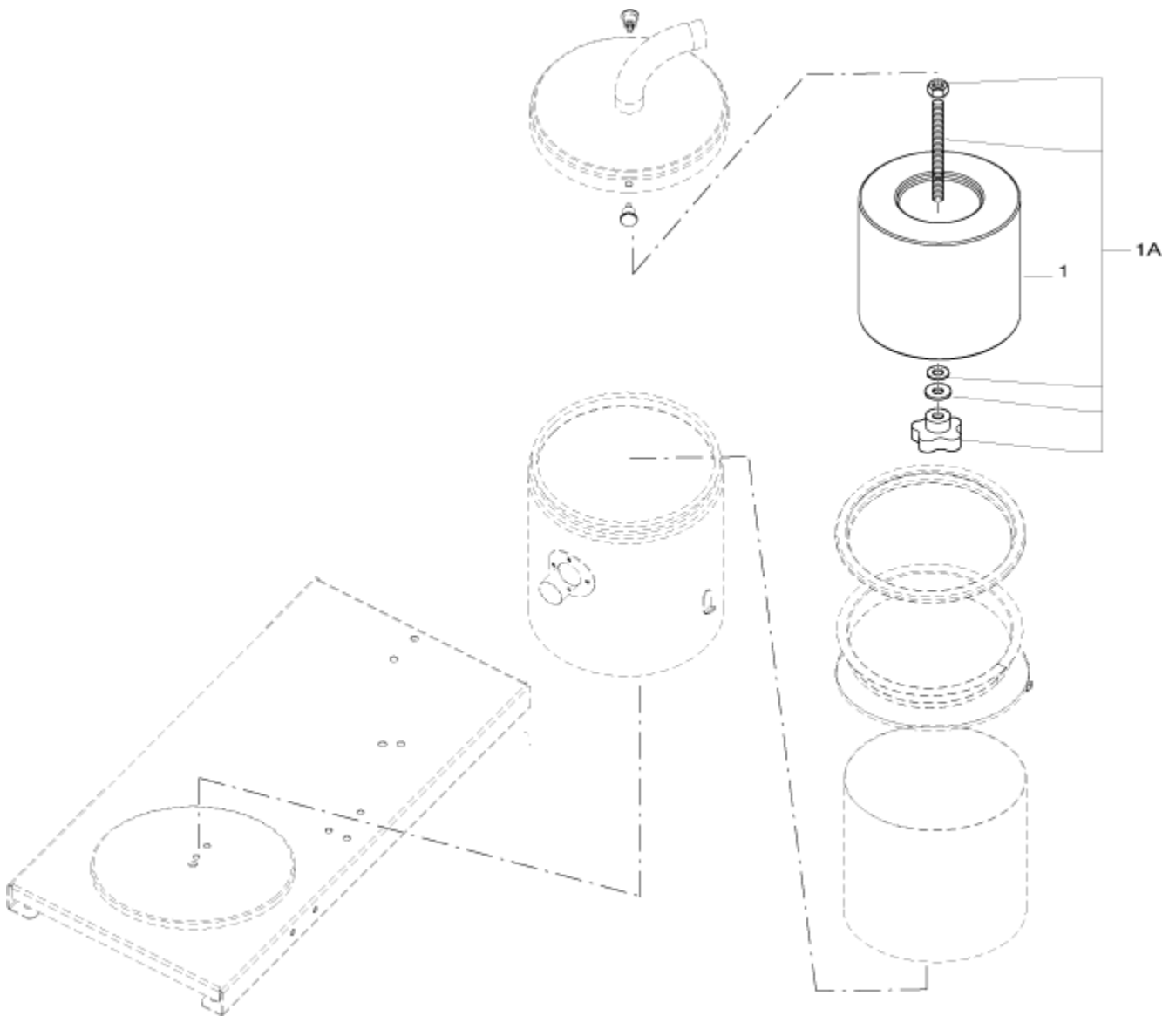
Absolute Filter

VHW210

02-04-2015

Part List ID
VHW21005

7



Absolute Filter

VHW210

02-04-2015

Part List ID
VHW21005

8

| Pos | Part no. | Qty | Description |
|-----|------------|-----|----------------------------------|
| 1 | Z8 17262 | 1 | ABSOLUTE FILTER D360 x 150 H14 |
| 1A | 4089100665 | 1 | KIT UPSTREAM ABSOLUT FILT.VHW210 |

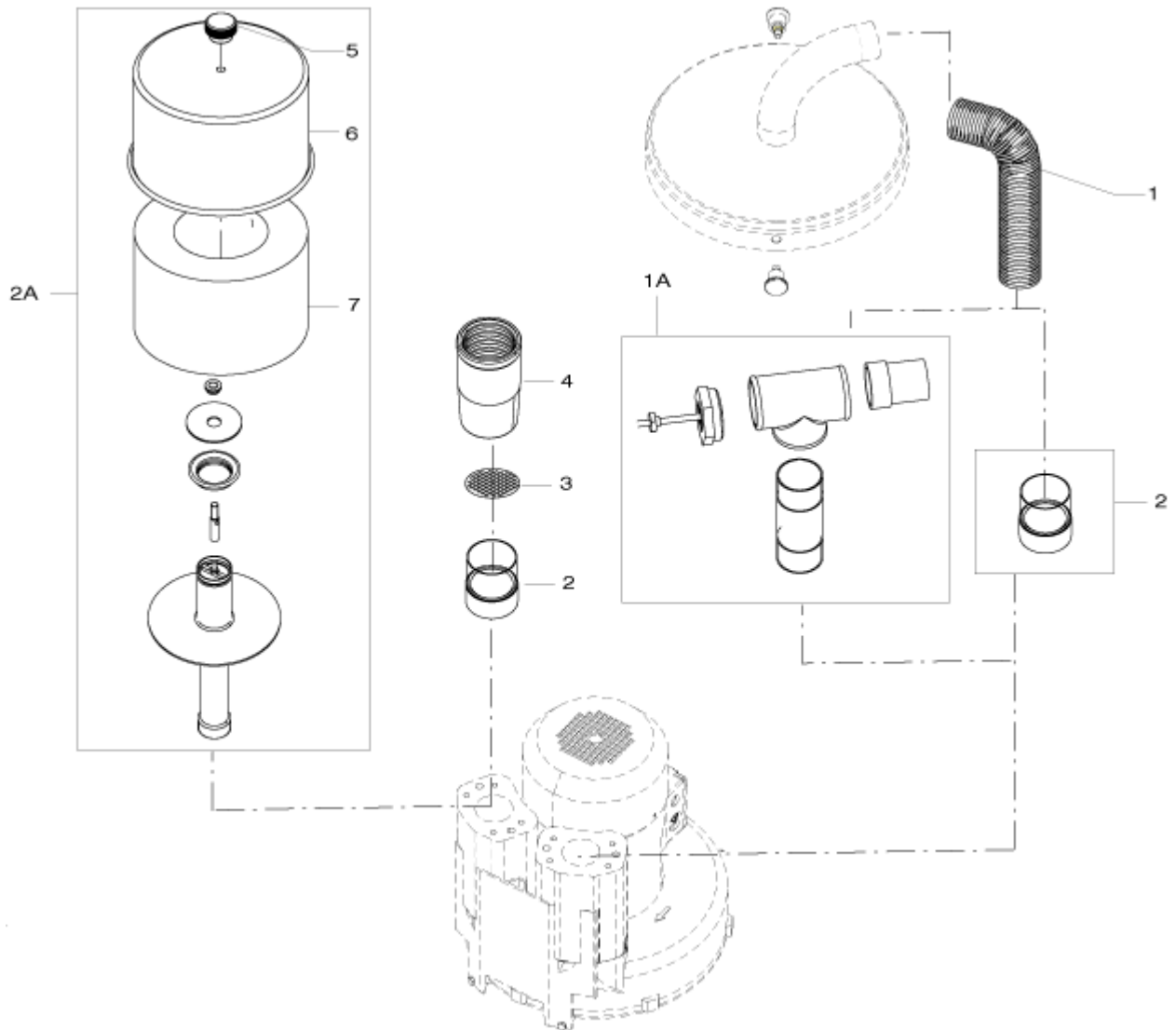
Suction Unit

VHW210

02-04-2015

Part List ID
VHW21007

9



Suction Unit

VHW210

02-04-2015

Part List ID
VHW21007

10

| Pos | Part no. | Qty | Description |
|-----|------------|-----|---|
| 1 | 4089100703 | 1 | HOSE KIT VHW |
| 2 | Z58 32139 | 1 | CONNECTION VALVE 1 1/2-D40 |
| 2 | Z58 32139 | 1 | CONNECTION VALVE 1 1/2-D40 |
| 3 | Z8 13064 | 1 | NET D80 MESH 1.5x1.5 |
| 4 | Z7 20001 | 1 | SLEEVE D40 RUBBER |
| 5 | 4084001146 | 1 | KNOB D40 M10 DIFFUSER CONTAINER M.VHW |
| 6 | 4083000681 | 1 | DIFFUSER CONTAINER D220x142 R9003 M.VHW |
| 7 | Z8 17262 | 1 | ABSOLUTE FILTER D360 x 150 H14 |
| 1A | 4056000464 | 1 | KIT P.R. VALVE 1 1/2 M.3101 |
| 2A | 4089100682 | 1 | ABSOLUTE FILTER KIT VHW210 |

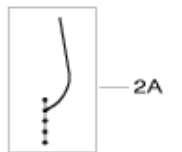
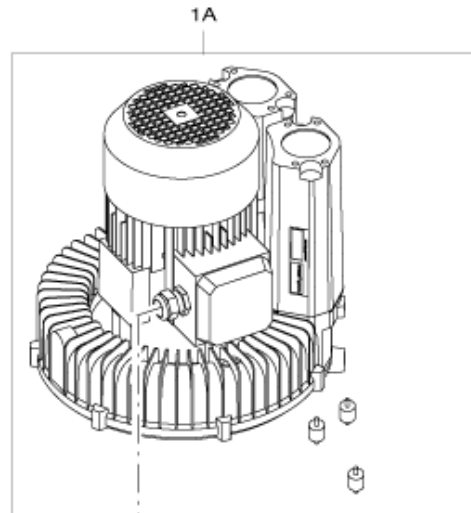
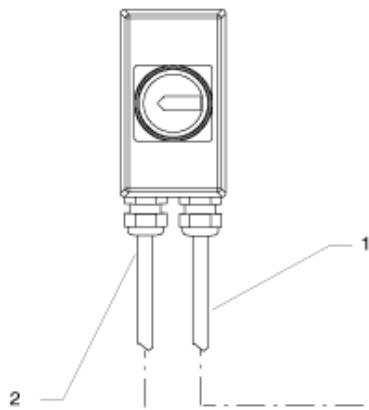
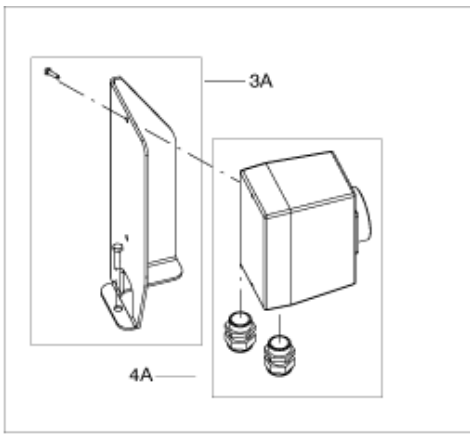
Electric System

VHW210

02-04-2015

Part List ID
VHW21009

11



Electirc System

VHW210

02-04-2015

Part List ID
VHW21009

12

| Pos | Part no. | Qty | Description |
|-----|------------|-----|---|
| 1 | Z8 391079 | 1 | CABLE CONN.MOT. 4G2.5 SIL. MOD.3508-T40 |
| 2 | 4083901674 | 1 | CABLE SUP.4G2,5 FROR.6 M BLADE TERMINAL |
| 1A | 4089100661 | 1 | SUCTION UNIT KIT VHW210 |
| 2A | 40000877 | 1 | GROUND CABLE KIT |
| 3A | 4089100666 | 1 | E.B. SUPPORT PLATE KIT VHW210 |
| 4A | 4089100670 | 1 | E.B. KIT VHW210 |
| 5A | 4089100671 | 1 | E.B. KIT COMPLETE VHW210 |

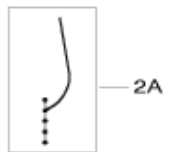
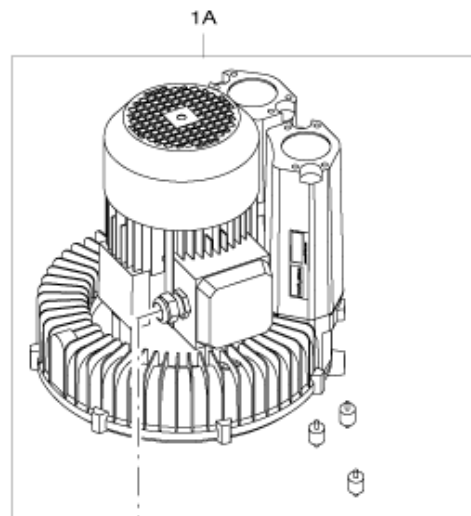
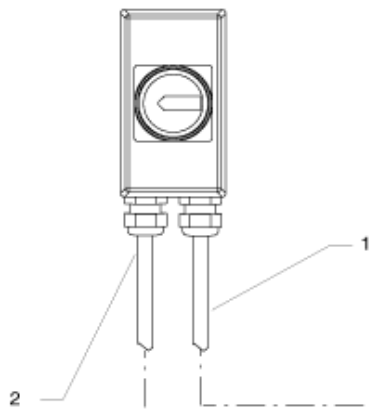
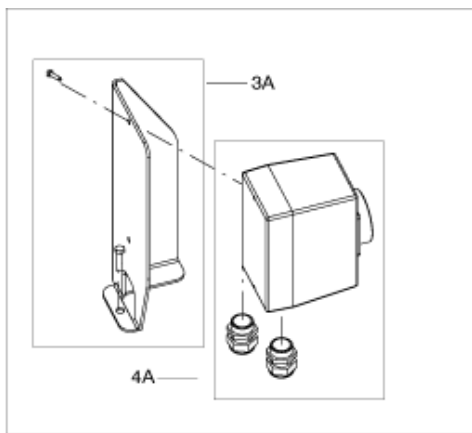
Electric System 01

VHW210

02-04-2015

Part List ID
VHW21011

13



Electric System 01

VHW210

02-04-2015

Part List ID
VHW21011

14

| Pos | Part no. | Qty | Description |
|-----|------------|-----|--------------------------------------|
| 1 | 4083901564 | 1 | CABLE 3G2.5 SIL. AL M |
| 2 | Z8 39825 | 1 | CABLE SUP. 3G2.5 FROR 6M MOD.3151MT |
| 1A | 4089100668 | 1 | SUCTION UNIT KIT VHW210 SINGLE-PHASE |
| 2A | 40000877 | 1 | GROUND CABLE KIT |
| 3A | 4089100666 | 1 | E.B. SUPPORT PLATE KIT VHW210 |
| 4A | 4089100669 | 1 | E.B. KIT VHW210 M |
| 5A | 4089100667 | 1 | E.B. KIT COMPLETE VHW210 M |