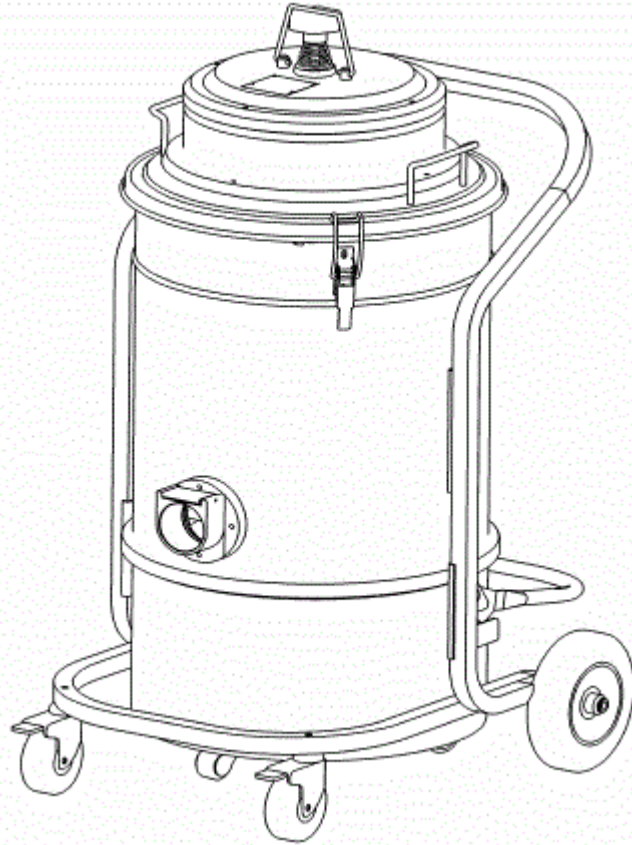


128 and 138

Model:
127



Part List US-English

07-02-2015

Table of Contents

128 and 138

Frame	3
Container unit	5
Filter chamber unit for 128	7
Filter chamber unit for 138	9
Filter group	11
Motorhead for 128	13
Motorhead for 138	15

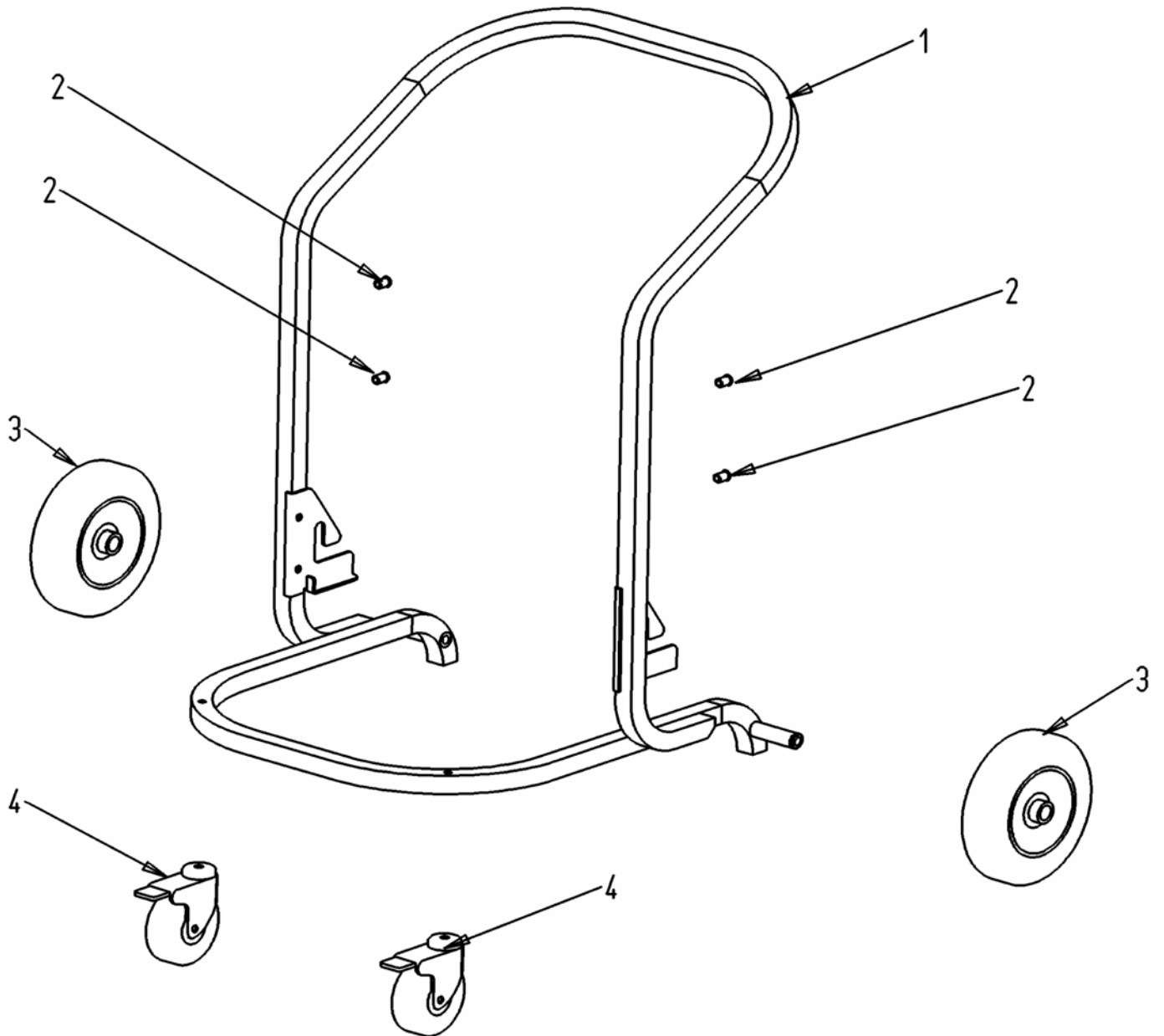
Frame

128 and 138

07-02-2015

Part List ID
12802

3



Frame

128 and 138

07-02-2015

Part List ID 12802

4

Pos	Part no.	Qty	Description
1	Z8 36456	1	TROLLEY MOD128
2	Z8 38065	4	RIVET M8 COUNTERSUNK S. THIN M8 FTR/C
3	Z8 40262	2	FIXED WHEEL D200 F20 GREY MODEL
4	Z8 40395	2	PIVOTING WHEEL D100 GREY BRAKE MOD.127

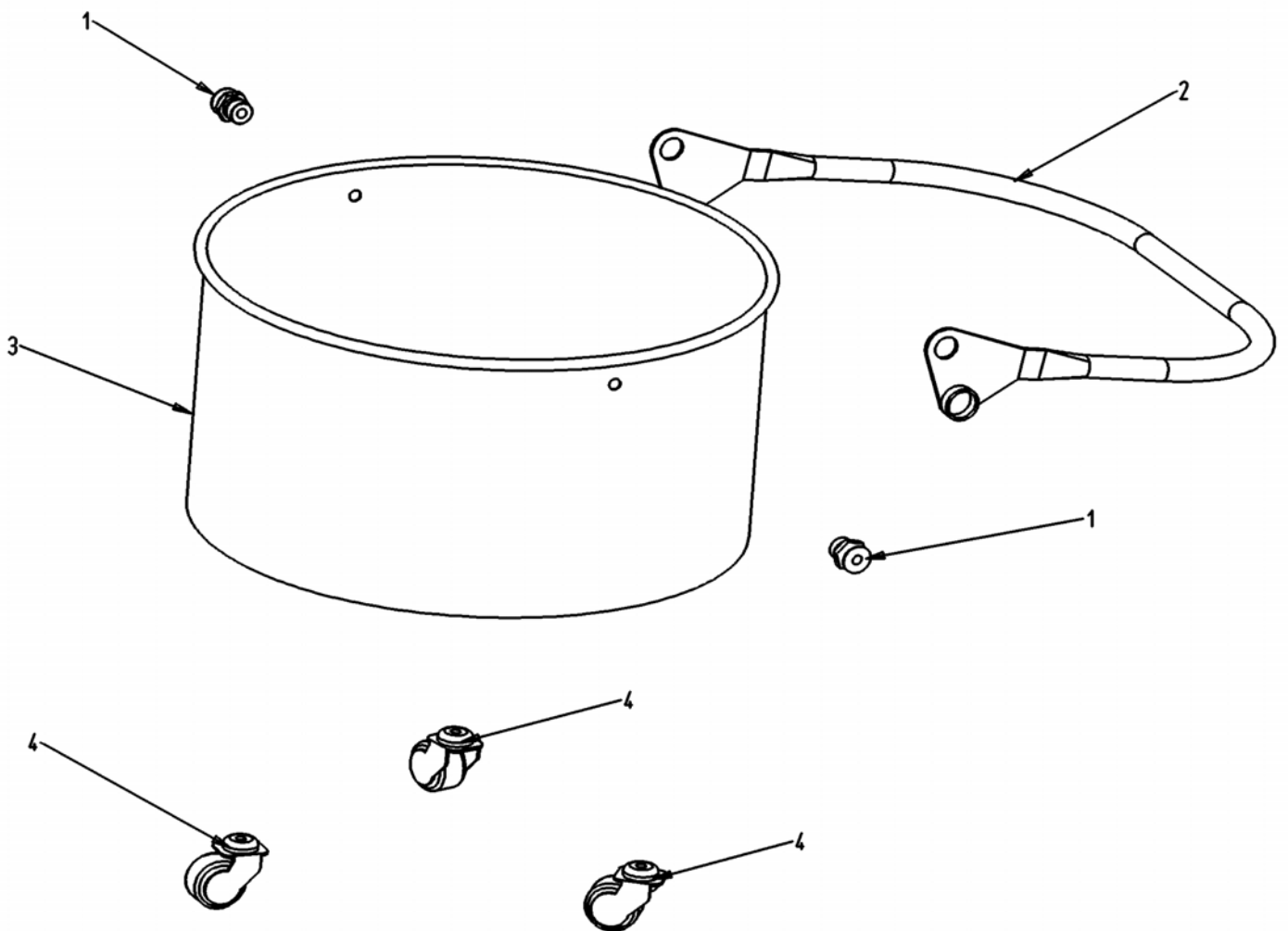
Container unit

128 and 138

07-02-2015

Part List ID 12804

5



Container unit

128 and 138

07-02-2015

Part List ID 12804

6

Pos	Part no.	Qty	Description
1	Z8 14584	2	PIN MOD128
2	Z8 18934	1	HANDLE MOD128
3	Z8 30306	1	CONTAINER D460x250 FE MOD. 128
4	Z8 40402	3	PIVOTING WHEEL D45 MODEL 127 WITH SHIM

Filter chamber unit for 128

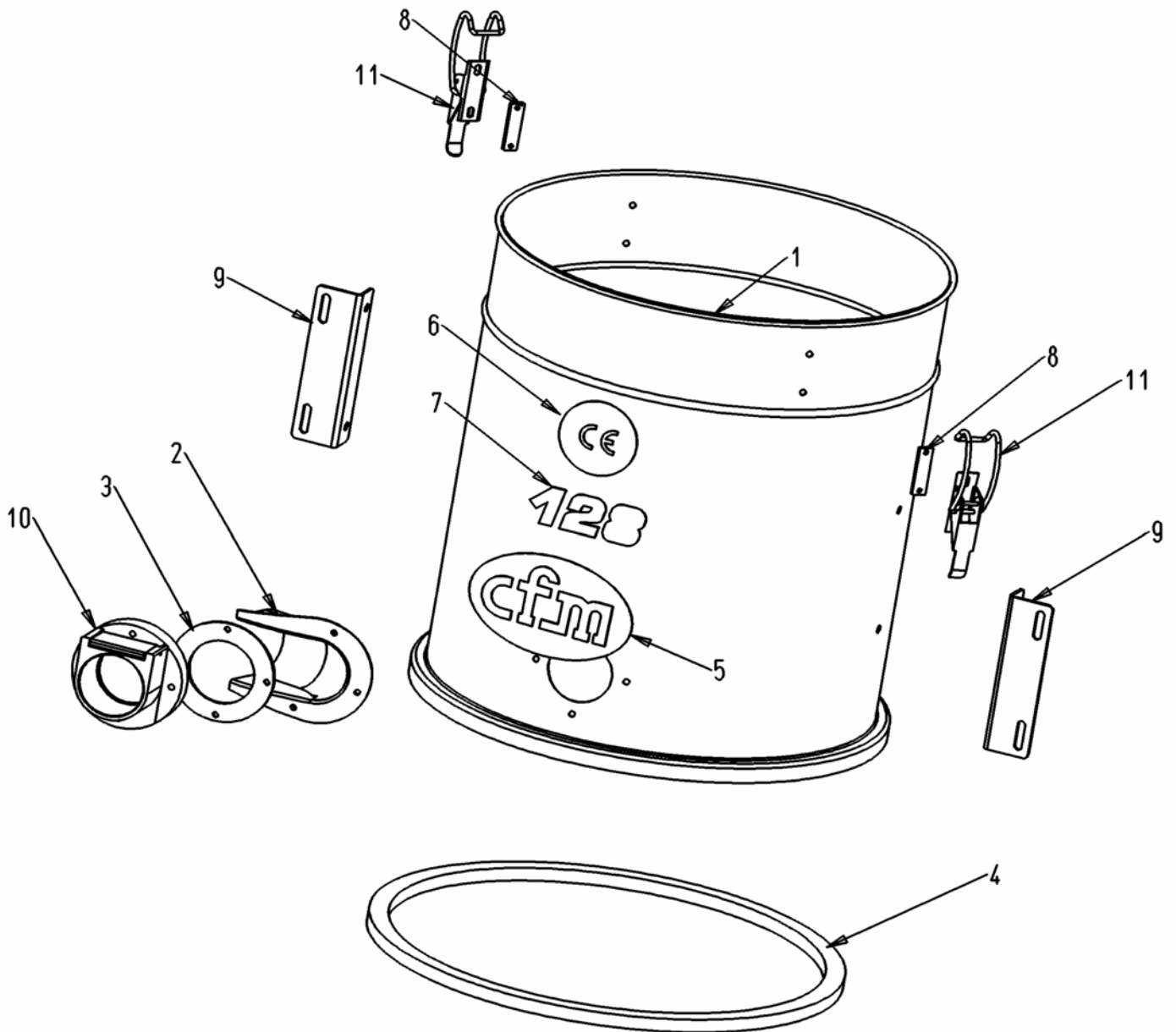
128 and 138

07-02-2015

Part List ID

12806

7



Filter chamber unit for 128

128 and 138

07-02-2015

Part List ID
12806

8

Pos	Part no.	Qty	Description	
0	Z8 31536	1	F.CH. D460x540 FE COMPL. ROT.FILT.SHAKER	POS. 1-11
1	Z8 11083	1	FILTER CHAMBER D460x540 FE M.1	
2	Z8 12013	1	DEFLECTOR D70 ALUMINIUM	
3	Z8 17006	1	INLET SEAL D70	
4	Z8 17007	1	FILTER CHAMBER SEAL D460	
5	Z8 17340	1	LABEL CFM BIG WHITE	
6	Z8 17349	1	CE MARK LABEL	
8	Z8 18010	2	HOOK HOLDER PLATE	
10	40000397	1	KIT COMPLETE INLET FE D70	Use link to see kit

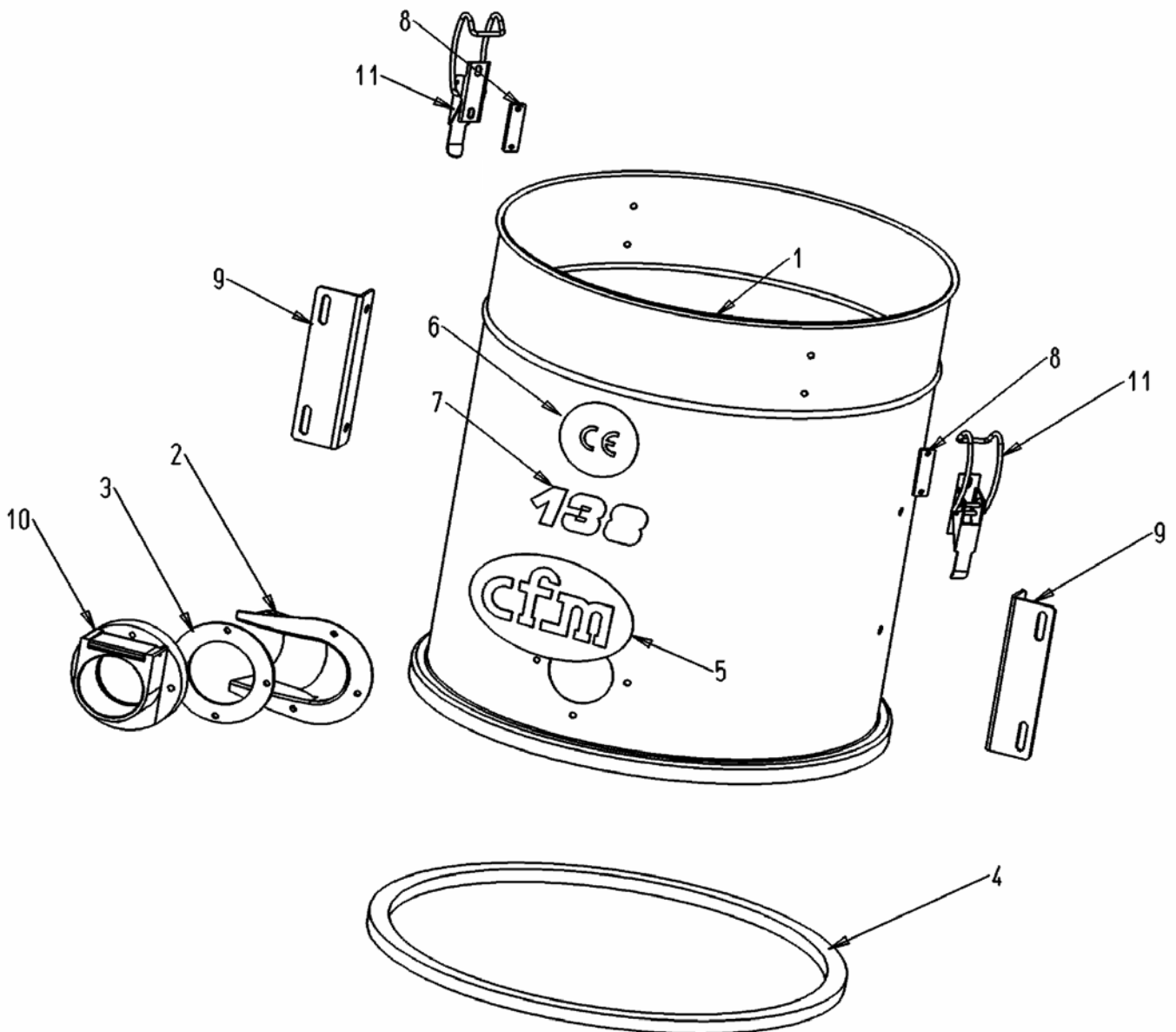
Filter chamber unit for 138

128 and 138

07-02-2015

Part List ID 12808

9



Filter chamber unit for 138

128 and 138

07-02-2015

Part List ID
128008

10

Pos	Part no.	Qty	Description	
0	Z8 31536	1	F.CH. D460x540 FE COMPL. ROT.FILT.SHAKER	POS. 1-11
1	Z8 11083	1	FILTER CHAMBER D460x540 FE M.1	
2	Z8 12013	1	DEFLECTOR D70 ALUMINIUM	
3	Z8 17006	1	INLET SEAL D70	
4	Z8 17007	1	FILTER CHAMBER SEAL D460	
5	Z8 17340	1	LABEL CFM BIG WHITE	
6	Z8 17349	1	CE MARK LABEL	
8	Z8 18010	2	HOOK HOLDER PLATE	
10	40000397	1	KIT COMPLETE INLET FE D70	

Filter group

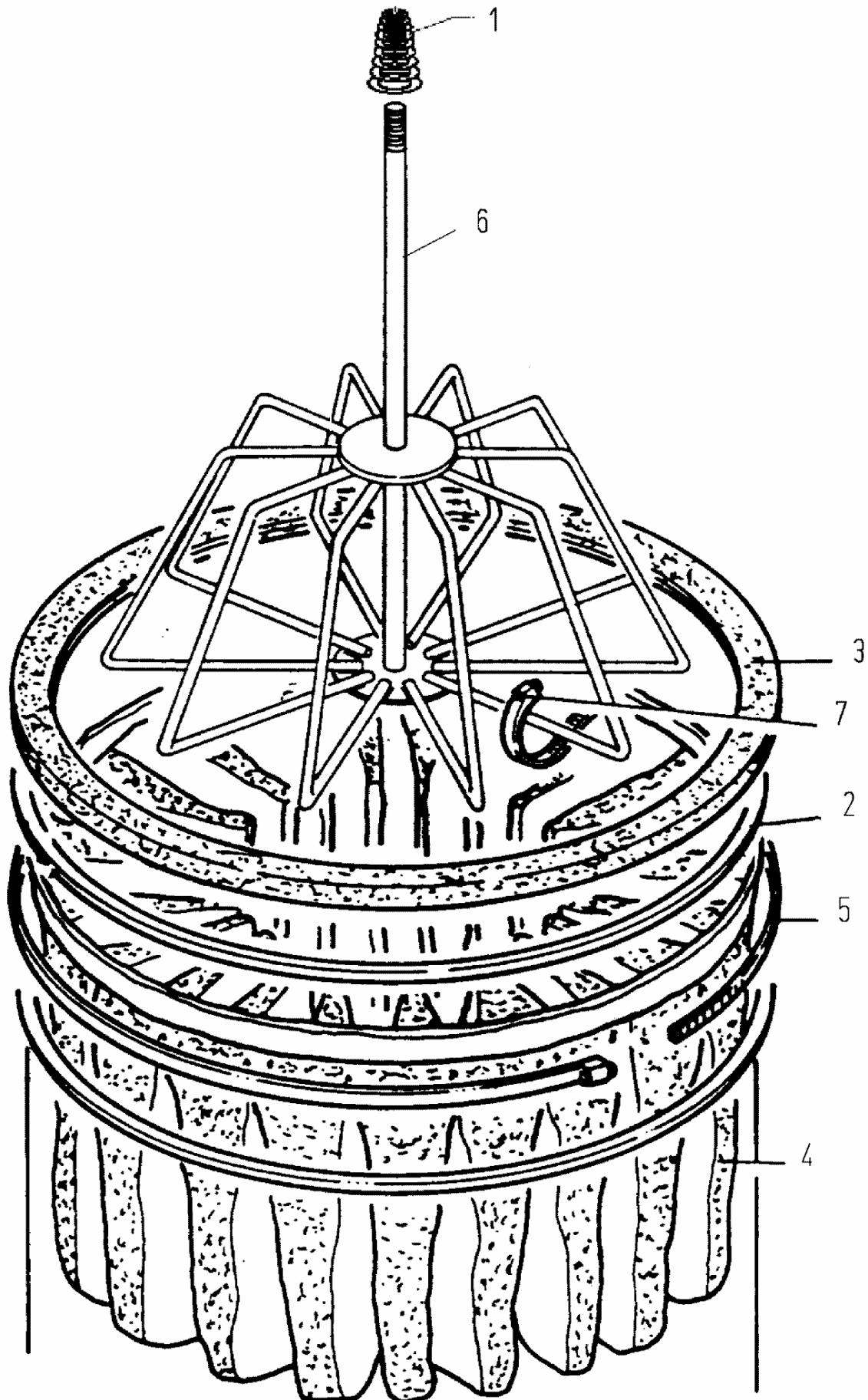
128 and 138

07-02-2015

Part List ID 12810

12810

11



Filter group

128 and 138

07-02-2015

Part List ID

12810

12

Pos	Part no.	Qty	Description
1	Z8 14081	1	INT.FILTER SHAKER SPRING FE
2	Z8 15003	1	FILTER HOLDER RING D460 FE
3	Z8 17026	1	FILTER SEAL D460 BLACK
4	40000338	1	KIT STAR FILTER D460 L CLASS
5	Z8 18079	1	FILTER BLOCK TIE D460
6	Z8 33324	1	STAR CAGE D460 FE x SOL
7	Z8 40053	6	TIE x FILTERS PVC 120x7.8

Motorhead for 128

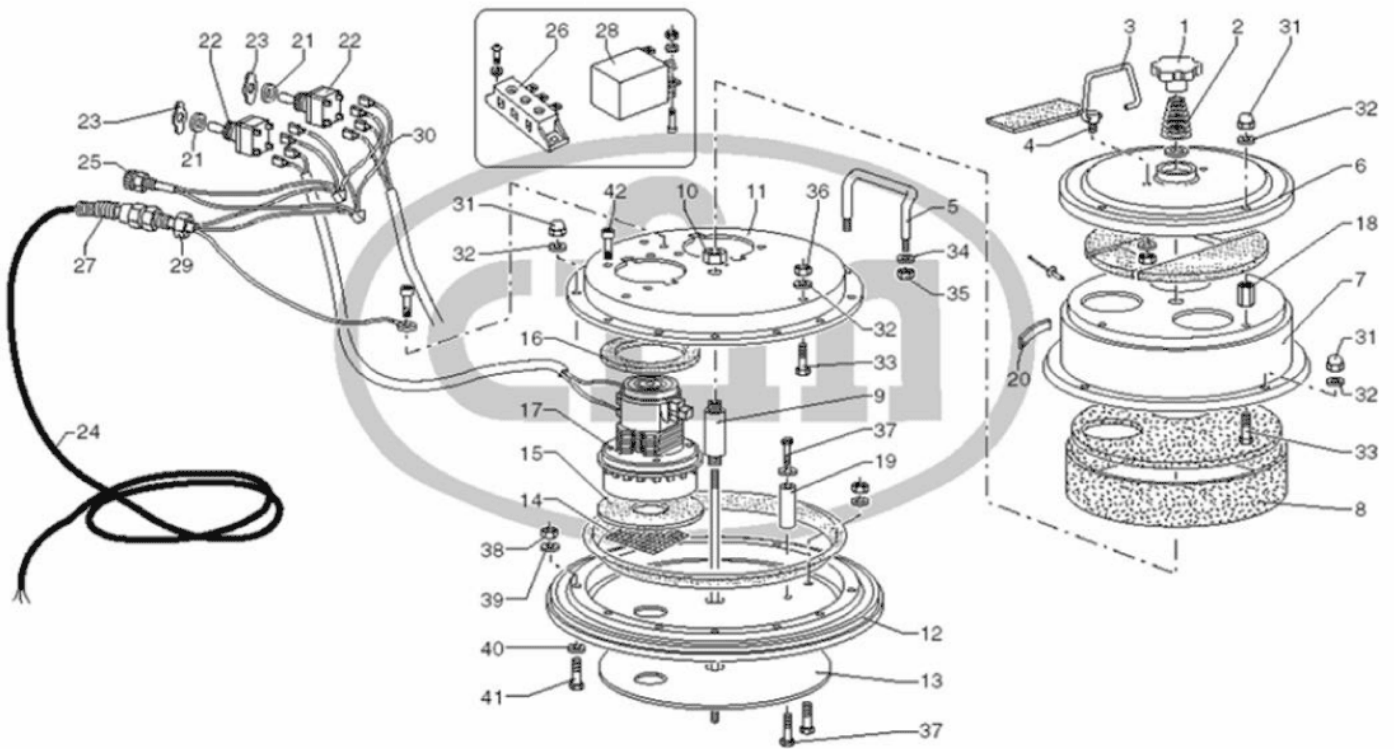
128 and 138

07-02-2015

Part List ID

12812

13



Motorhead for 128

128 and 138

07-02-2015

Part List ID
12812

14

Pos	Part no.	Qty	Description	
0	4089100173	1	KIT COMPLETE HEAD M.202	POS. 2-42
1	Z8 40027	1	KNOB D70 M12 NO HOLE	
2	Z8 14079	1	CONIC.SPRING SHAKER EXT. FE	
3	Z8 18206	1	HOOK FILTER SH. FE	
4	Z8 14061	2	CRATE STOP PIN FE	
5	Z8 18083	2	HANDLE MOTOR MODEL 118	
6	Z8 35020	1	COVER FOR MOTOR HEAD 460 EL.FIL.SH.	
7	Z8 16066	1	MOTOR COVER D460 2F	
8	Z8 17229	1	KIT SOUNDPROOF D460 M.317	
9	Z8 14051	1	BUSH	
10	Z8 14052	2	NUT BUSHING FILT.SHAKER FE	
11	Z8 16008	1	FIXING MOTOR FOR HANDLE D460 2 FL	
12	Z8 16003	1	2F MOTOR HOLDER D460	
13	Z8 15032	1	FLANGE FOR HEAD	
14	Z8 13074	2	UNDER MOTOR NET	
15	Z8 17002	2	SEAL BELOW MOTOR HEAD	
16	Z8 17003	2	UPPER MOTOR GASKET	
17	40000937	2	MOTOR KIT V230	SEE TSB 32/2011
18	Z8 14030	4	MOTOR HEAD THICKNESS	
19	Z8 14032	3	DISTANCE PIECE FOR MOOTORHEAD	
20	Z8 17107	1	FILTER SHAKER LABEL	
21	Z8 38041	2	WASHER SING.PHASE SWITCH	
22	Z8 39000	2	SWITCH LEVER 15A 2P	
23	Z8 39005	2	PLATE ON-OFF FOR SWITCH	
24	Z8 39016	1	CABLE SUP. 3G1.5 NE. SCHUKO 9M MOD.S3	
25	Z8 39051	1	PILOT LIGHT GREEN x HEAD 118 230V D10	
26	Z8 39528	1	TERMINAL HEAD 3P	
27	Z8 39097	1	CABLE GLAND PG11 PA SPRING	
28	Z8 39533	1	FILTER ANTIJAMMING 16A	
29	Z8 39567	1	METAL RING NUT PG11	

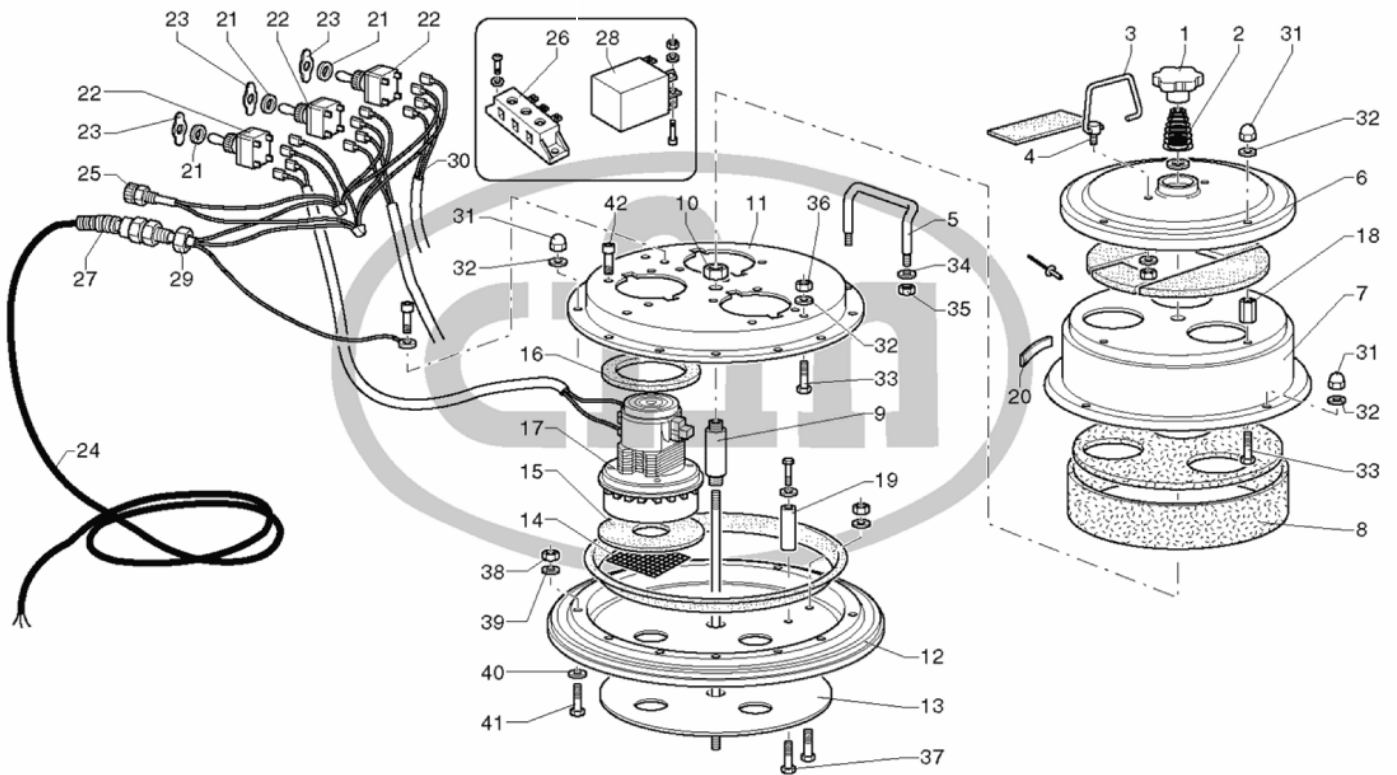
Motorhead for 138

128 and 138

07-02-2015

Part List ID 12814

15



Motorhead for 138

128 and 138

07-02-2015

Part List ID
12814

16

Pos	Part no.	Qty	Description	
0	4089100046	1	KIT HEAD MOD.302/317 COMPLETE	POS. 2-42
1	Z8 40027	1	KNOB D70 M12 NO HOLE	
2	Z8 14079	1	CONIC.SPRING SHAKER EXT. FE	
3	Z8 18206	1	HOOK FILTER SH. FE	
4	Z8 14061	2	CRATE STOP PIN FE	
5	Z8 18083	2	HANDLE MOTOR MODEL 118	
6	Z8 35020	1	COVER FOR MOTOR HEAD 460 EL.FIL.SH.	
7	Z8 16067	1	HEADCOVER D460 3F	
8	Z8 17229	1	KIT SOUNDPROOF D460 M.317	
9	Z8 14051	1	BUSH	
10	Z8 14052	2	NUT BUSHING FILT.SHAKER FE	
11	Z8 16009	1	FIXING MOTOR FOR HANDLE D460 3 FL	
12	Z8 16004	1	3F MOTOR HOLDER D460	
13	Z8 15032	1	FLANGE FOR HEAD	
14	Z8 13074	3	UNDER MOTOR NET	
15	Z8 17002	3	SEAL BELOW MOTOR HEAD	
16	Z8 17003	3	UPPER MOTOR GASKET	
17	40000937	3	MOTOR KIT V230	SEE TSB 32/2011
18	Z8 14030	4	MOTOR HEAD THICKNESS	
19	Z8 14032	3	DISTANCE PIECE FOR MOOTORHEAD	
20	Z8 17107	1	FILTER SHAKER LABEL	
21	Z8 38041	3	WASHER SING.PHASE SWITCH	
22	Z8 39000	3	SWITCH LEVER 15A 2P	
23	Z8 39005	3	PLATE ON-OFF FOR SWITCH	
24	Z8 39016	1	CABLE SUP. 3G1.5 NE. SCHUKO 9M MOD.S3	
25	Z8 39051	1	PILOT LIGHT GREEN x HEAD 118 230V D10	
26	Z8 39528	1	TERMINAL HEAD 3P	
27	Z8 39097	1	CABLE GLAND PG11 PA SPRING	
28	Z8 39533	1	FILTER ANTIJAMMING 16A	
29	Z8 39567	1	METAL RING NUT PG11	