

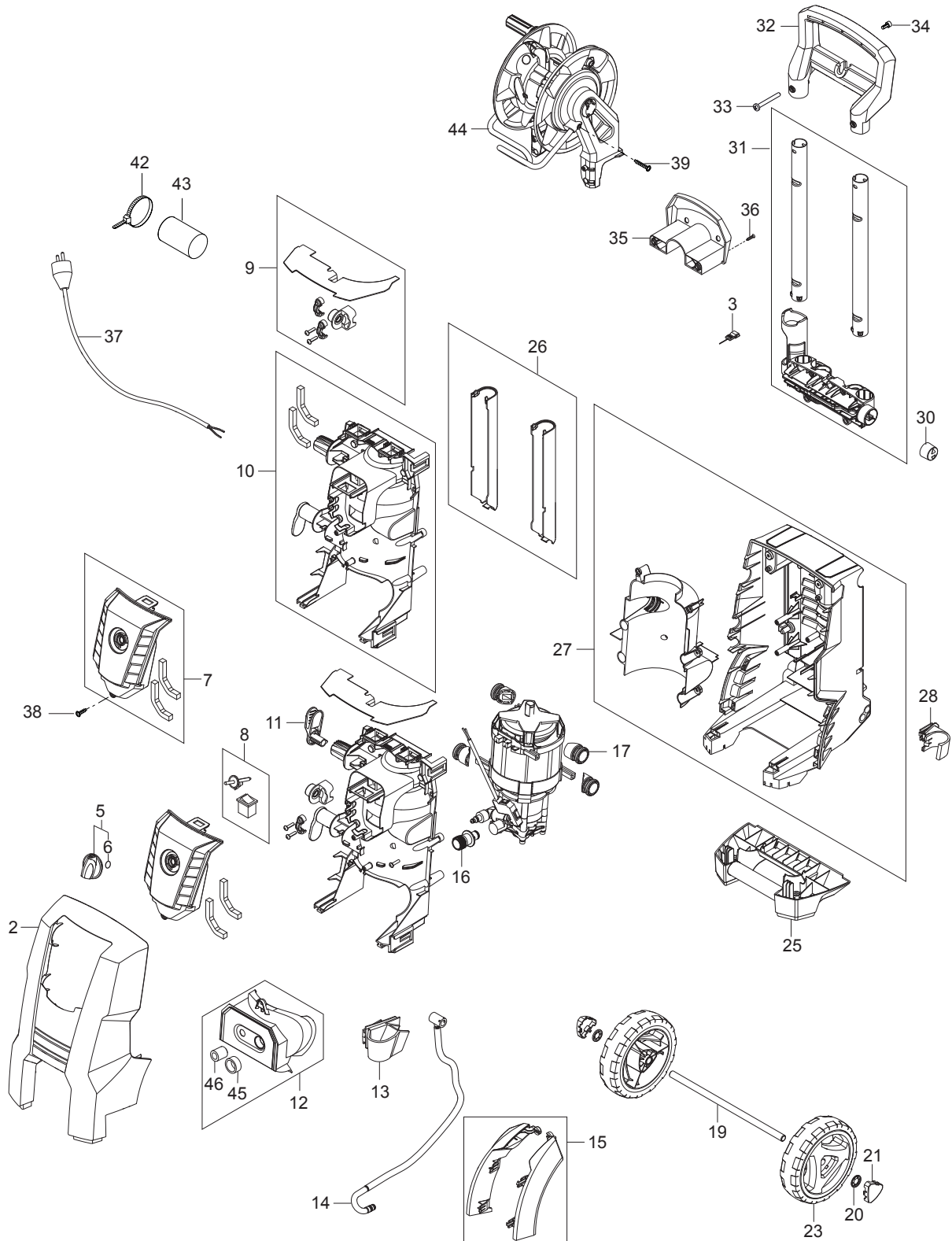
PARTS LIST



2014.11.17

TABLE OF CONTENTS

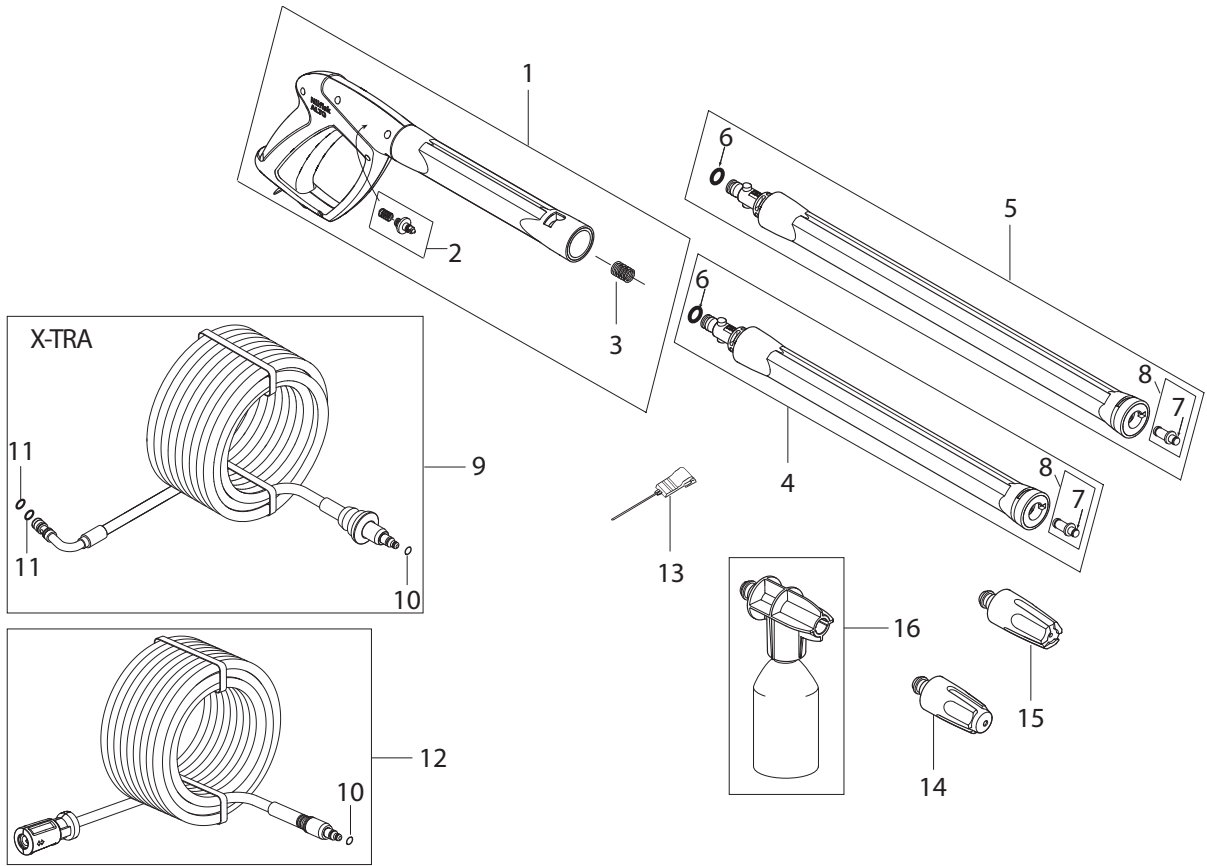
| | |
|--------------------------------|---|
| Overview | 1 |
| Accessories_E130_3_E140_3..... | 3 |
| Motor pump..... | 5 |
| Hose reel..... | 7 |



| Pos. | Artikel-Nr. | Menge | Variante | Notes |
|------|-------------|-------|---------------------------------|-------|
| 2 | 128500544 | 1 | ABDECKUNG VORNE MIT DRUCH | |
| 2 | 128500545 | 1 | FRONT ABDECKUNG DRUCK E140.3 | |
| 2 | 128500546 | 1 | FRONT CABINET W. PRINT E145.3 | |
| 3 | 6520844 | 1 | Reinigungsnadel | [1] |
| 5 | 128500547 | 1 | SWITCH KNOB BLUE | |
| 6 | 9868 | 1 | O-Ring 10x2,5 | |
| 7 | 128500548 | 1 | Abdeckung vorne | |
| 8 | 128500507 | 1 | EA-Schalter inkl. Achse | |
| 9 | 128500508 | 1 | CABLE RELIEF KIT | |
| 10 | 128500509 | 1 | FRONT INNENGEHÄUSE MIT DICHTUNG | |
| 11 | 128500549 | 1 | Kabelhaken | |
| 12 | 128500550 | 1 | IN/OUTLET COVER KIT BLACK STD | [2] |
| 12 | 128500551 | 1 | IN/OUTLET COVER KIT BLACK XTRA | [3] |
| 13 | 128500512 | 1 | Lanzenhalter | |
| 14 | 128500513 | 1 | HD-Verbindungsschlauch X- | |
| 15 | 128500514 | 1 | Radkästen | |
| 16 | 128500515 | 1 | Wassereinlass NA01 | |
| 17 | 128500604 | 1 | VIBRATION DAMPER | |
| 19 | 128500517 | 1 | Radachse | |
| 20 | 127440210 | 1 | Schnellbefestiger | |
| 21 | 128500552 | 1 | Radkappe | |
| 23 | 128500553 | 1 | Rad | |
| 25 | 128500520 | 1 | Fußstück | |
| 26 | 128500521 | 1 | SCHLAUCHHALTERUNG | |
| 27 | 128500522 | 1 | Hintere Abdeckung E130 | |
| 28 | 128500523 | 1 | HALTERUNG FÜR LANZE OBEN | |
| 30 | 128500554 | 1 | HANDLE LOCK BUTTON BLUE | |
| 31 | 128500526 | 1 | Handgriff und Rohrhalter | |
| 32 | 128500527 | 1 | Handgriff | |
| 33 | 128500528 | 1 | NUT FOR HANDLE LOCK | |
| 34 | 128500529 | 1 | SCREW M4X8 ISO7045 A2-50-H PH | |
| 35 | 128500530 | 1 | HD-Schlauchhaken | |
| 36 | 1814732 | 2 | Ejotschraube KB50x18 | |
| 37 | 128500532 | 1 | POWER CABLE EU | |
| 37 | 128500533 | 1 | POWER CABLE UK | |
| 37 | 128500535 | 1 | POWER CABLE AUS/NZ | |
| 38 | 101814782 | 33 | Schraube KB50 x 18 | |
| 39 | 128500595 | 2 | SCREW K50X35 WN1452 BLACK TORX | |
| 42 | 1814741 | 1 | Kabelbinder | |
| 43 | 128500636 | 1 | Kondensator 25µF 500V | |
| 44 | | 1 | Hose reel complete | [4] |
| NS | 128500560 | 1 | 10PCS 4C BOX TO NILFISK E130.3 | |
| NS | 128500561 | 1 | 10PCS 4C BOX TO NILFISK E140.3 | |
| NS | 128500562 | 1 | 10PCS 4C BOX TO NILFISK E145.3 | |

Part Notes:

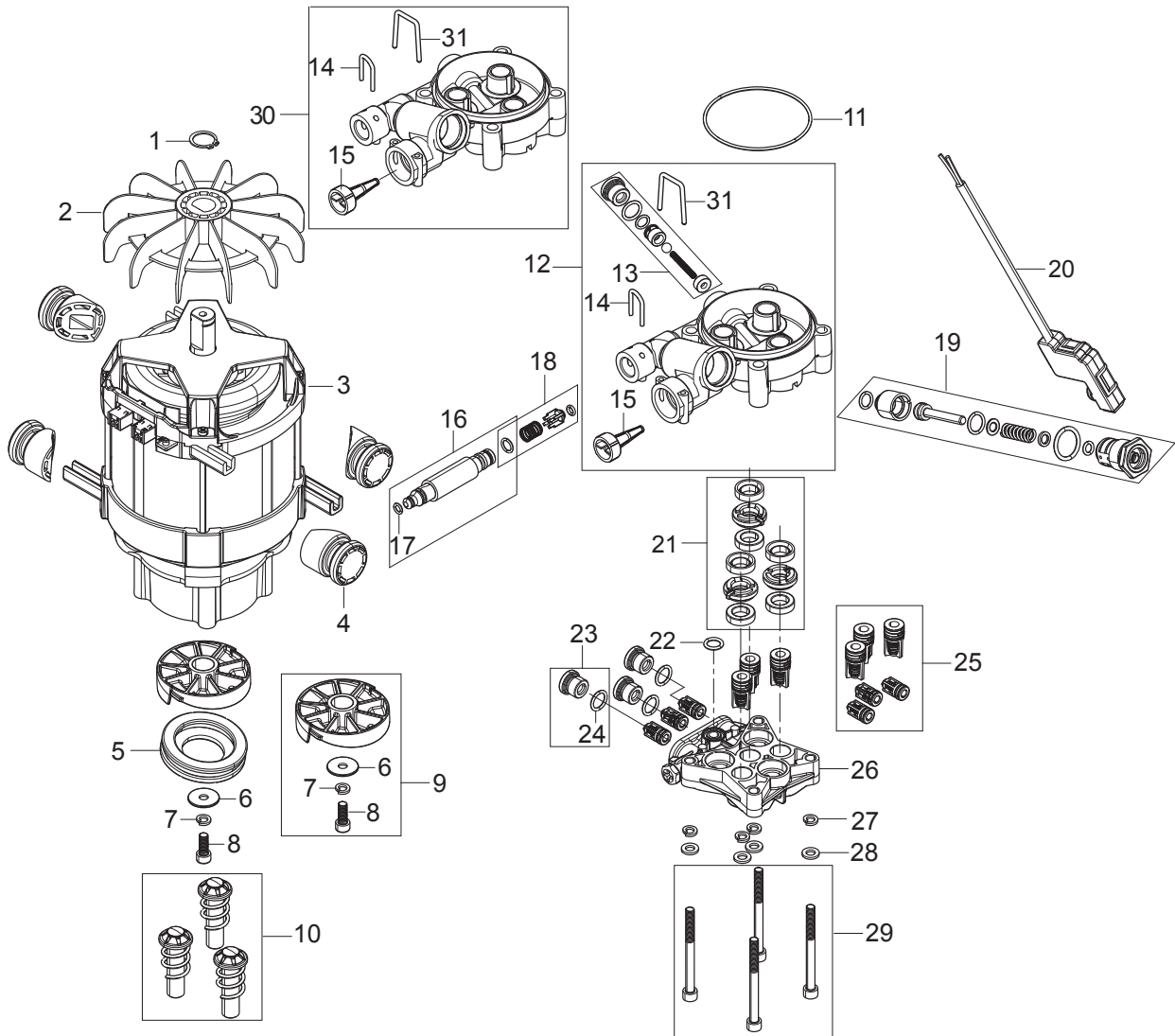
- [1] - Replaces 127440205
- [2] - black STD
- [3] - black XTRA
- [4] - See Hose reel



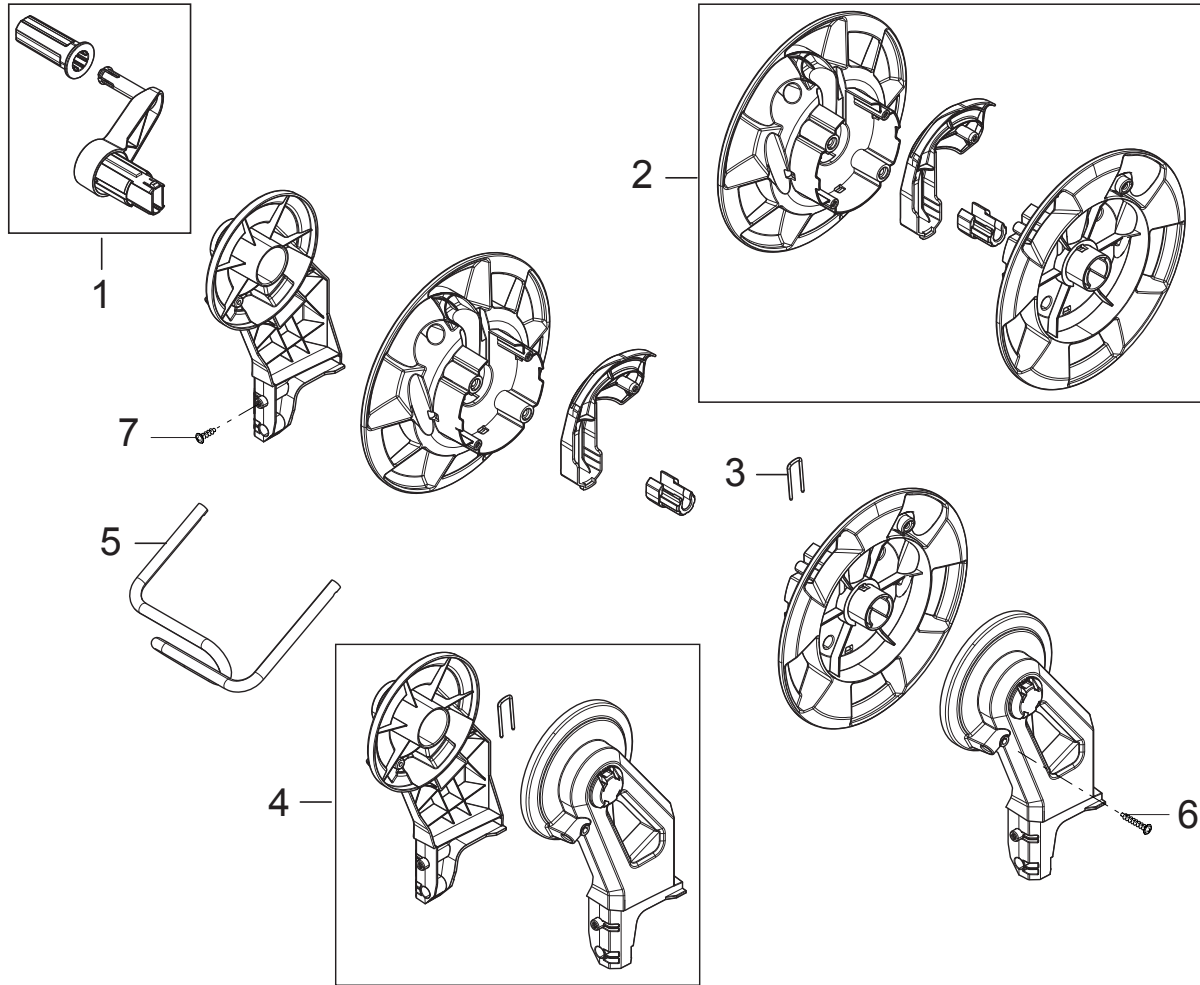
| Pos. | Artikel-Nr. | Menge | Variante | Notes |
|------|-------------|-------|----------------------------------|-------|
| 1 | 128500071 | 1 | G4 Spritzpistole mit | [1] |
| 2 | 126481133 | 1 | Ventil | |
| 3 | 126481126 | 1 | Feder | |
| 4 | 128500676 | 1 | Düsenrohr | |
| 5 | 128500074 | 1 | STRAHLROHR G4 C&C LANG | |
| 6 | 126481125 | 1 | O-Ring für Lanze | |
| 7 | 3004312 | 1 | O-Ring 7,0 x 1,2 NBR90 | |
| 8 | 126481109 | 1 | Düse | |
| 9 | 128500654 | 1 | HOSE TEXTILE SOFT 9M FOR MODEL | [2] |
| 9 | 128500655 | 1 | HD-Schlauch x-tra | [2] |
| 10 | 3004304 | 1 | O-Ring 5,1x1,6 | |
| 11 | 3004321 | 2 | O-Ring 10,0 x 2,0 PUR90 | |
| 12 | 128500651 | 1 | HD-Schlauch 7 M | |
| 12 | 128500652 | 1 | HD-Schlauch 8 M | |
| 12 | 128500653 | 1 | HD-Schlauch 8 M Stahlflex | |
| 13 | 6520844 | 1 | Reinigungsnadel | [3] |
| 14 | 128500033 | 1 | Rotordüse 1 türkisfarbener Punkt | |
| 15 | 126481116 | 1 | Düse gelb | [4] |
| 15 | 126481120 | 1 | Düse blau | [5] |
| 16 | 128500077 | 1 | Schaumsprüher mit Flasche | |
| | 128500673 | 1 | INLET SUCTION HOSE 3M | [6] |
| | 128500674 | 1 | NILFISK WATER FILTER | [7] |

Part Notes:

- [1] - E130.3, E140.3
- [2] - X-tra
- [3] - Replaces 127440205
- [4] - E130.3
- [5] - E140.3
- [6] - \128500673_suction hose.jpg">
- [7] - \128500674-nilfisk_water_filter.jpg">



| Pos. | Artikel-Nr. | Menge | Variante | Notes |
|------|-------------|-------|------------------------------|-------|
| 1 | 127500051 | 1 | Sicherungsring | |
| 2 | 127500040 | 1 | Lüfterrad | |
| 3 | 128500601 | 1 | MOTOR 230V/50HZ 2.1KW | |
| 4 | 128500604 | 4 | VIBRATION DAMPER | |
| 5 | 128500605 | 1 | THRUST BALL BEARING | |
| 6 | 127130066 | 1 | Beilagsscheibe D22X6,4X1, | |
| 7 | 127500050 | 1 | Federscheibe | |
| 8 | 128500608 | 1 | SCREW M6X16 10.9 FZB ISO4762 | |
| 9 | 128500615 | 1 | WOBBLE DISC KIT 10.7 DEG | |
| 10 | 128500616 | 1 | PISTON COMPLETE KIT 3PCS | |
| 11 | 127440078 | 1 | O-Ring 72x2 SH90 | |
| 12 | 128500618 | 1 | Zylinderblock Consumer HD | |
| 13 | 128500619 | 1 | Easy Start Kit | |
| 14 | 128500620 | 1 | U-PIN OUTLET | |
| 15 | 128500195 | 1 | Sieb | |
| 16 | 128500622 | 1 | Ausgangsstück Schnellvers | |
| 17 | 3004304 | 1 | O-Ring 5,1x1,6 | |
| 18 | 128500624 | 1 | Rückschlagventil | |
| 19 | 128500626 | 1 | START/STOP VALVE D3.05 | |
| 20 | 128500628 | 1 | MICROSWITCH BOX COMPLETE | |
| 21 | 127440081 | 1 | Dichtungssatz Kolben | |
| 22 | 128500630 | 1 | O-RING 10.0X2.2 NBR 90 | |
| 23 | 127440086 | 3 | Verschlussschraube | |
| 24 | 127440085 | 3 | O-RING 11.7X2.0 SH90 | |
| 25 | 128500632 | 1 | EA-Ventile | |
| 26 | 128500633 | 1 | Zylinderkopf Consumer HDR | |
| 27 | 127500029 | 4 | Beilagsscheibe | |
| 28 | 127500050 | 4 | Federscheibe | |
| 29 | 127500071 | 1 | Schraube | |
| 30 | 128500634 | 1 | CYLINDERBLOCK KIT | |
| 31 | 128500675 | 1 | U-PIN INLET | |



| Pos. | Artikel-Nr. | Menge | Variante | Notes |
|-------------|--------------------|--------------|--------------------------------|--------------|
| 0 | 128500531 | 1 | HOSE REEL COMPLETE | |
| 1 | 128500590 | 1 | Kurbel | |
| 2 | 128500591 | 1 | Schlauchtrommel kit | |
| 3 | 128500592 | 1 | LOCK KIT | |
| 4 | 128500593 | 1 | Schlauchtrommelhalter | |
| 5 | 128500594 | 1 | HOSE GUIDE BRACKET | |
| 6 | 128500595 | 2 | SCREW K50X35 WN1452 BLACK TORX | |
| 7 | 101814782 | 2 | Schraube KB50 x 18 | |

