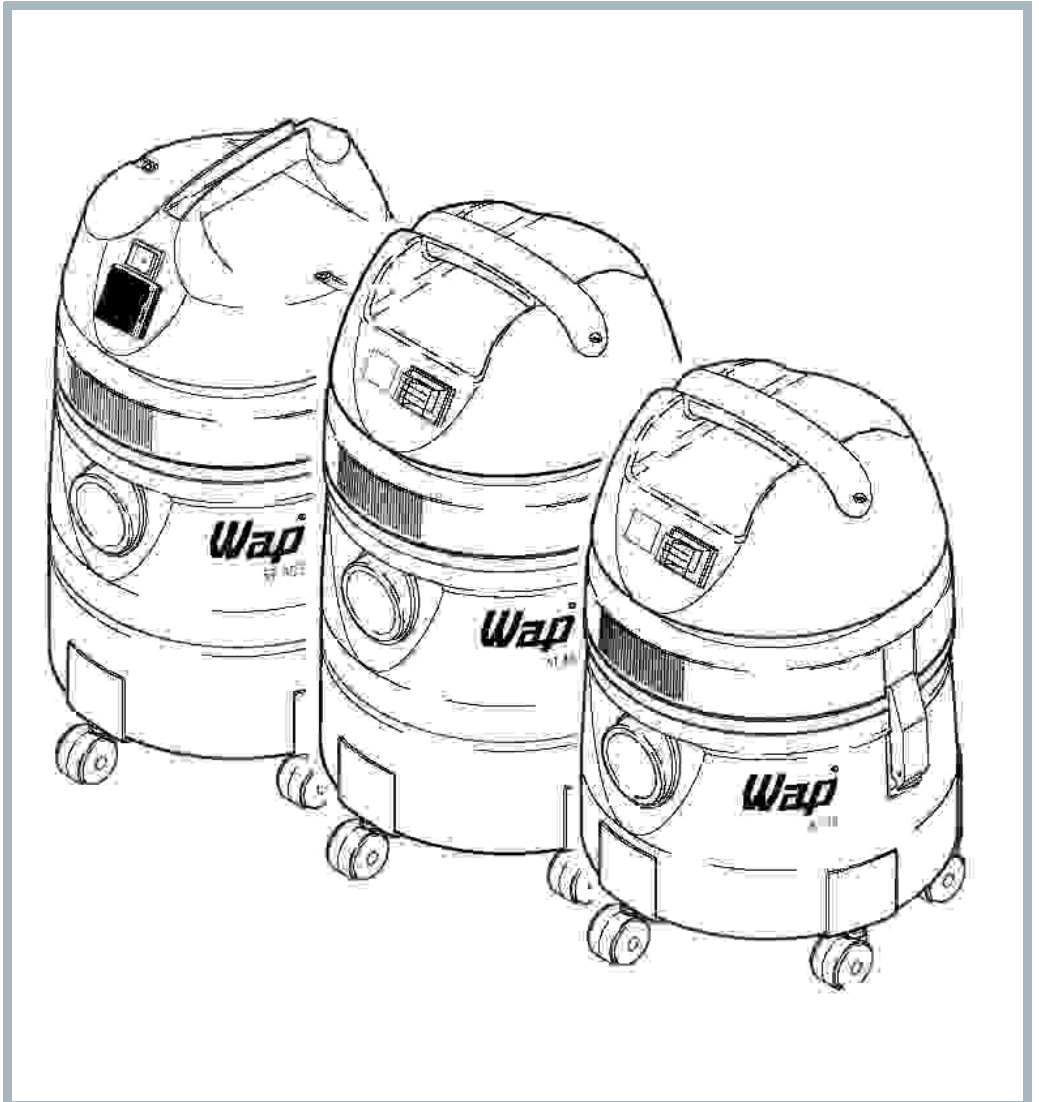


ST 15/25/35

Model:
ST 15/25/35



Part List US-English

08-02-2015

Table of Contents

ST 15/25/35

Cabinet (a)	3
Cabinet (b)	5
Motor	7
Accessories	9

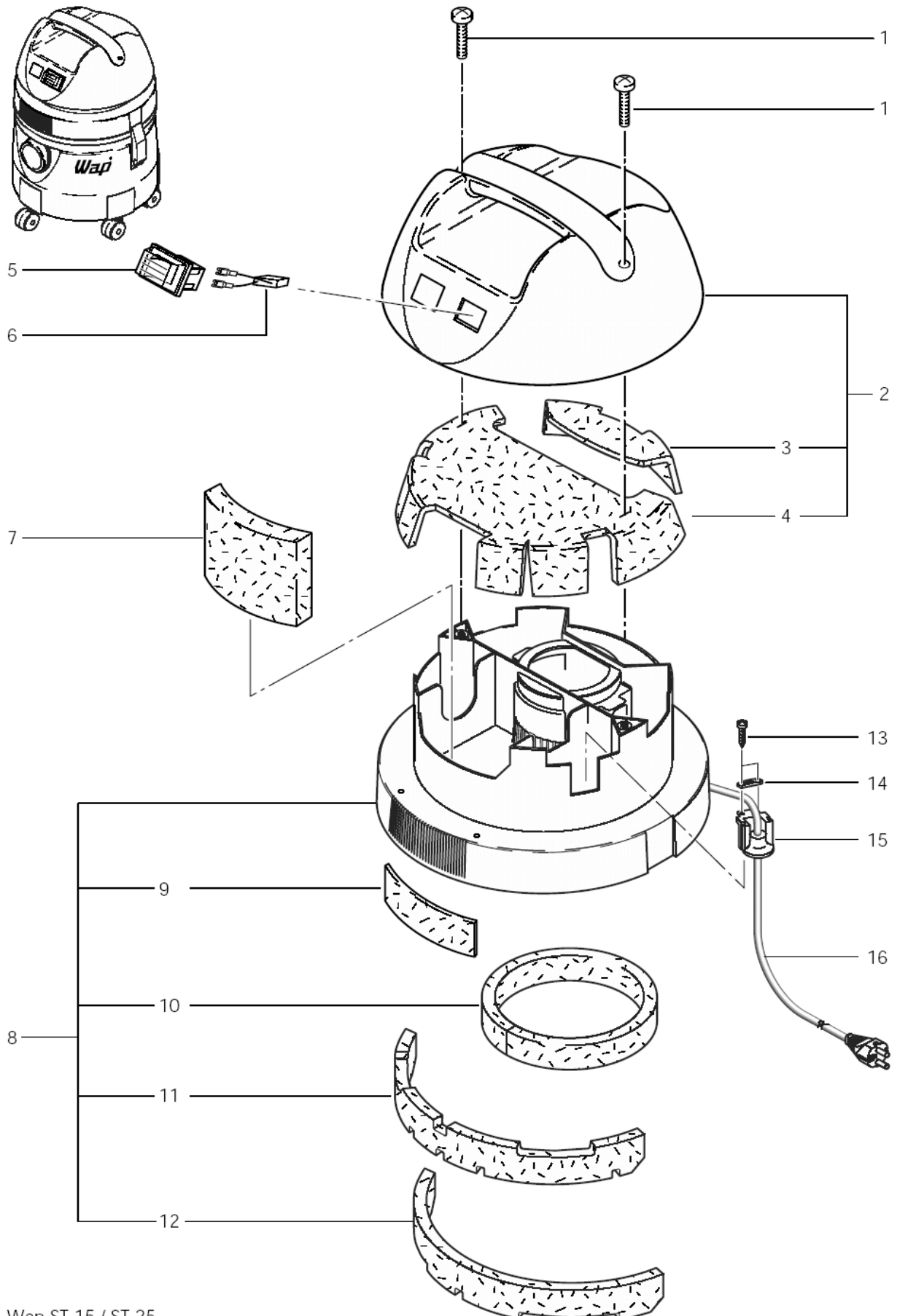
Cabinet (a)

ST 15/25/35

08-02-2015

Part List ID
ST15253502

3



Cabinet (a)

ST 15/25/35

08-02-2015

Part List ID
S115253502

4

Pos	Part no.	Qty	Description
1	18562	1	RAISED DOME HEAD SCREW M5X25 DIN 7985 ZN
6	48338	1	ANTI-INTERFERENCE CAPACITOR
9	45731	1	INSULATING PAD 150X37X5
10	54855	1	INSULATING PAD 565X40X15
13	11254	1	SCREW 3.5X10 WN1411
16	14797	1	CABLE H05VV-F 3G1.5X 7.5

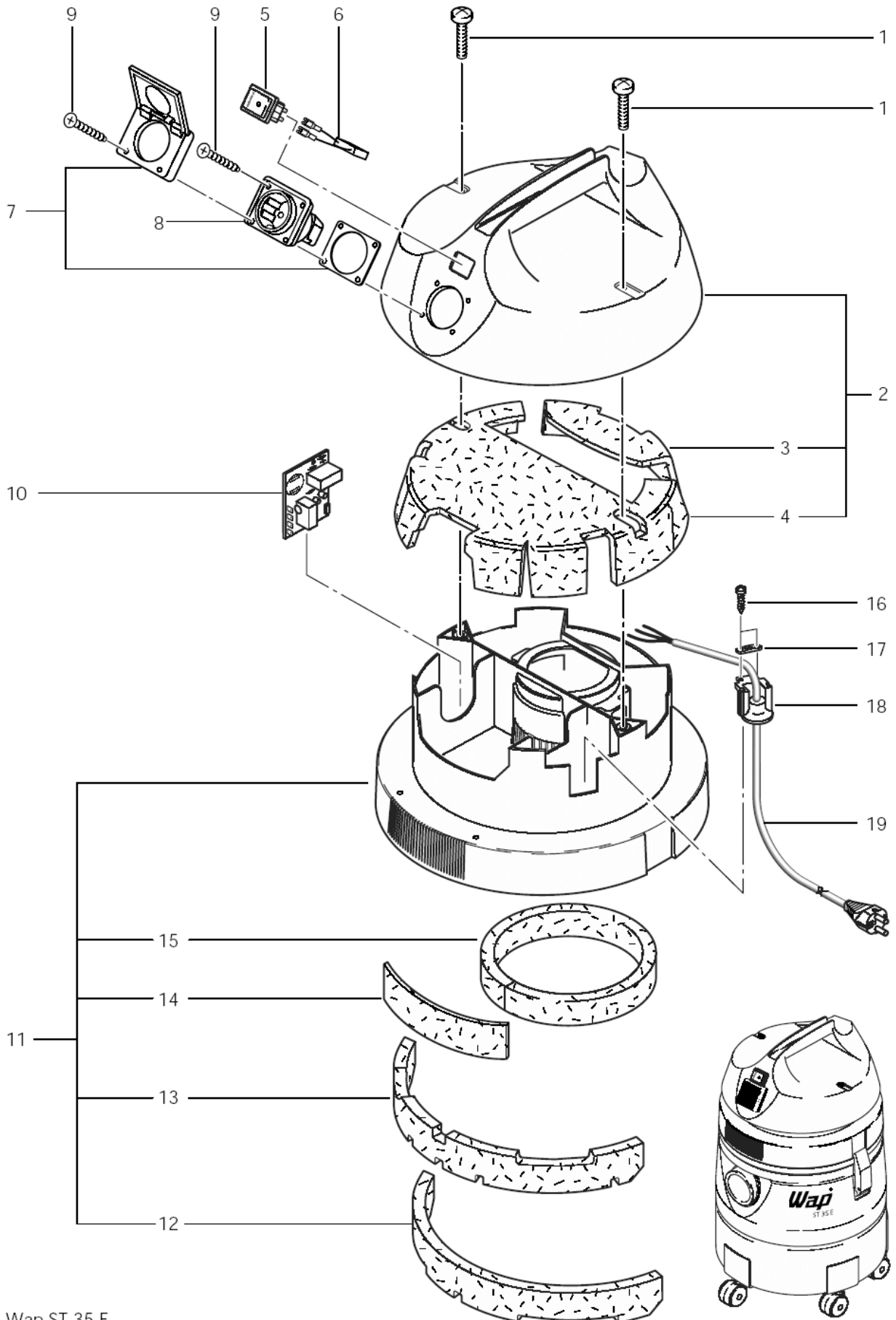
Cabinet (b)

ST 15/25/35

08-02-2015

Part List ID
ST15253504

5



Cabinet (b)

ST 15/25/35

08-02-2015

Part List ID
S115253504

6

Pos	Part no.	Qty	Description
1	18562	1	RAISED DOME HEAD SCREW M5X25 DIN 7985 ZN
5	11992	1	SWITCH
6	48338	1	ANTI-INTERFERENCE CAPACITOR
7	107402628	1	COVER CHASSIS KIT
8	46296	1	PLUG SOCKET 10/16A CEE7/VII
9	46248	1	SCREW EJOT- KA35X18 WN
14	45731	1	INSULATING PAD 150X37X5
15	54855	1	INSULATING PAD 565X40X15
16	11254	1	SCREW 3.5X10 WN1411
19	14797	1	CABLE H05VV-F 3G1.5X 7.5

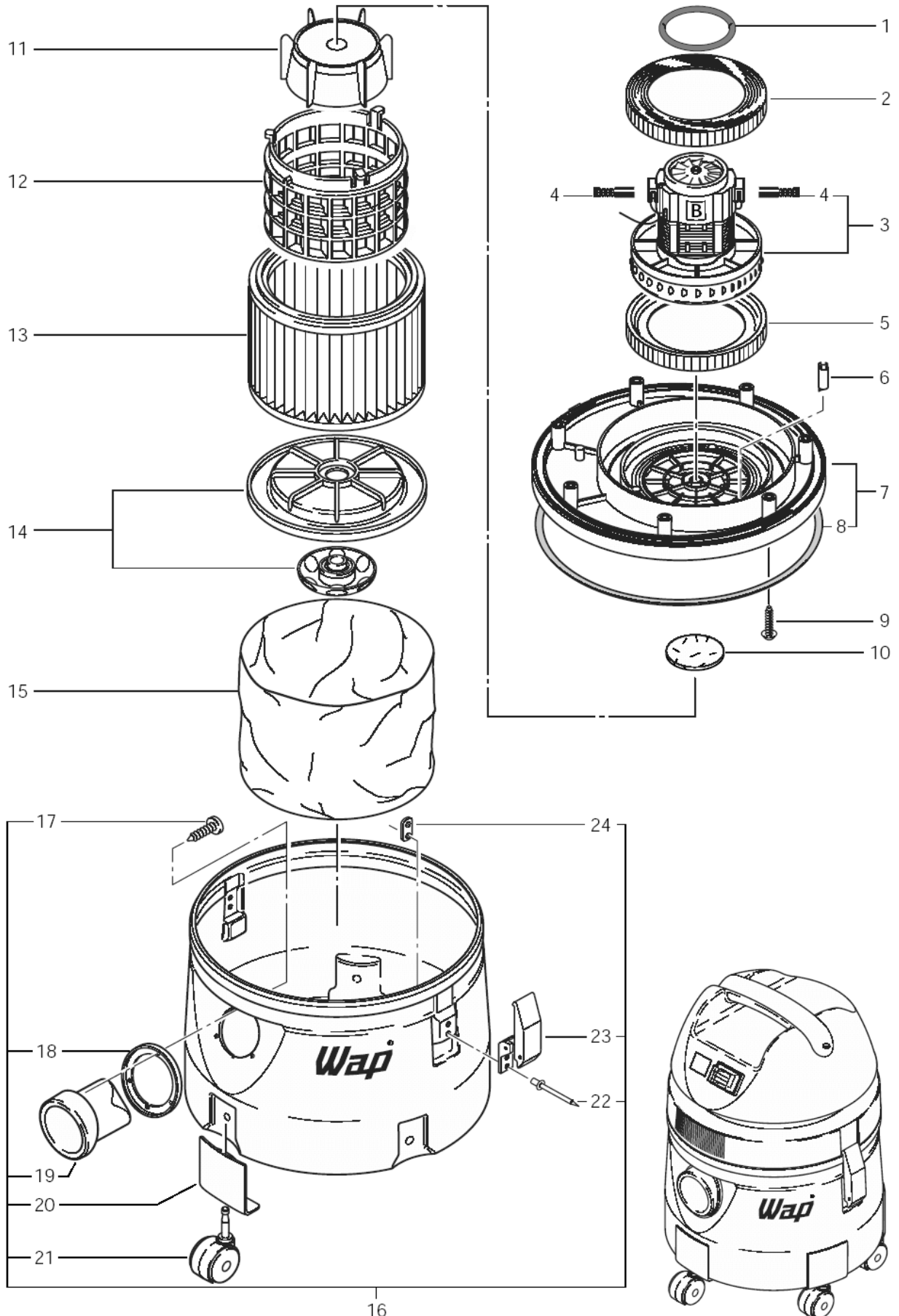
Motor

ST 15/25/35

08-02-2015

Part List ID
ST15253506

7



Motor

ST 15/25/35

08-02-2015

Part List ID
S115253506

8

Pos	Part no.	Qty	Description
1	18123	1	PACKING RING 75X 85X9.5
2	18226	1	MOTOR BEARING
4	49624	1	CARBON BRUSHES B
4	49625	1	CARBON BRUSHES C 2 PCS
4	49626	1	CARBON BRUSHES H
4	49627	1	CARBON BRUSHES I
5	18226	1	MOTOR BEARING
6	46640	1	WASHER
8	18110	1	CONTAINER SEAL RING
9	18085	1	TREAD-CUTTING SCREW M4.2X19 CH ISO 7049
10	18107	1	FILTER DISC
11	11835	1	FLOAT
12	11754	1	FILTER SUPPORTING BASKET
13	11753	1	FILTER ELEMENT Ø185X140 PAPER
14	11762	1	FILTER TENSIONER WASHER Ø190X29
15	11801	1	FILTER PROTECTIVE COVER Ø185X200
18	45733	1	PACKING RING
19	54863	1	INLET FITTING ST 35E
20	26896	1	GUIDE ROLLER
21	45737	1	GUIDE ROLLER
22	15889	1	BLIND RIVET
23	54849	1	SPRING CATCH
24	3092	1	WASHER 4.3x0.8 ISO 7089 zn

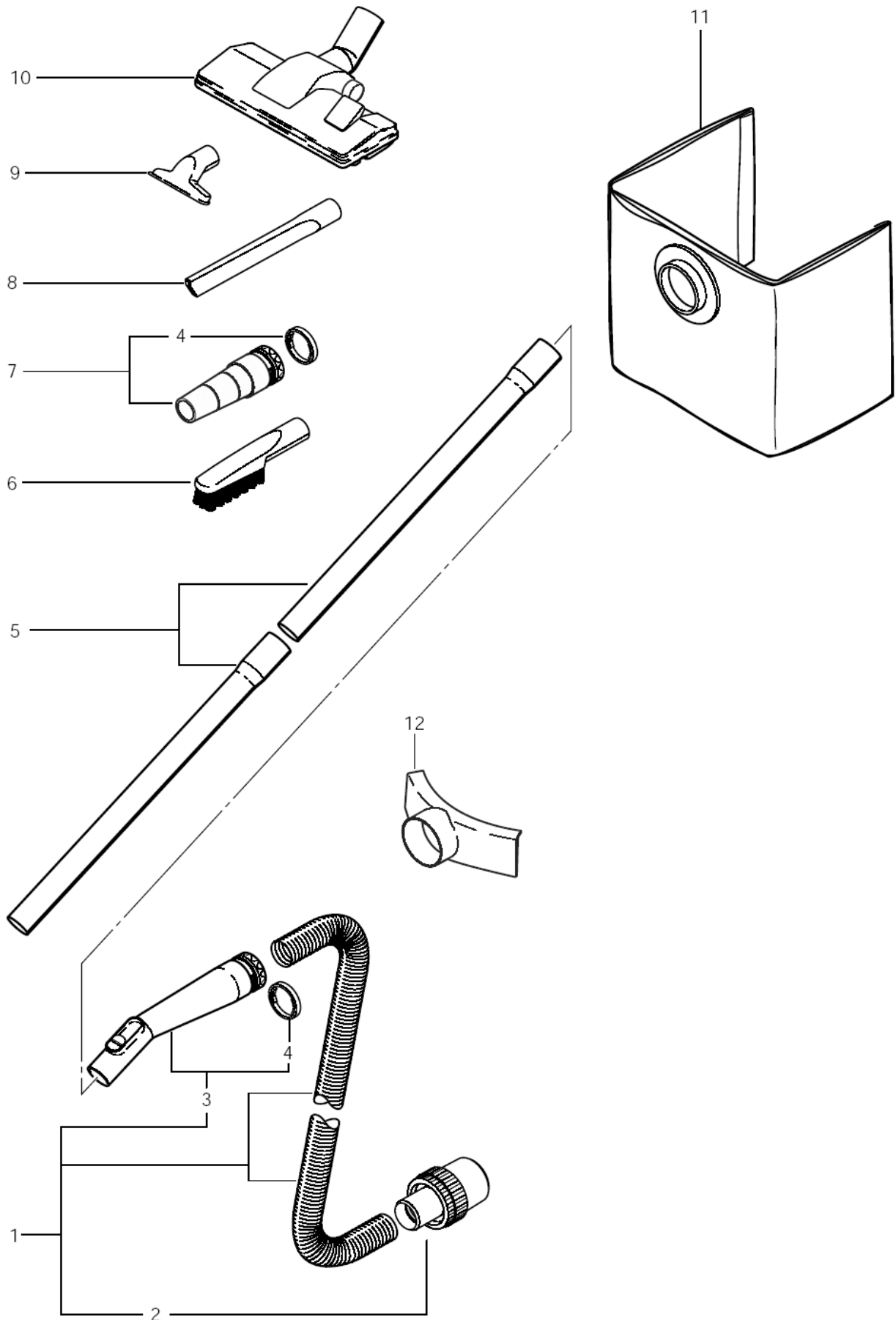
Accessories

ST 15/25/35

08-02-2015

Part List ID
ST15253508

9



Accessories

ST 15/25/35

08-02-2015

Part List ID
S115253508

10

Pos	Part no.	Qty	Description
2	15103	1	HOSE SLEEVE Ø32/50 ABS
4	60437	1	HAND TUBE Ø32/36 ABS
6	6086	1	BRUSH NOZZLE Ø36X230 PP/PA
8	6084	1	CREVICE NOZZLE Ø36X300 PP
9	14295	1	UNIVERSAL NOZZLE D36X115
11	46321	1	FILTER BAG ST20/35 5 PCS