

# SC400 43 B

---

Model:  
SC400 B NIL



Stückliste Deutsch

09-04-2015

# Inhalt

SC400 43 B

<b>GENERAL SYSTEM</b>	<b>3</b>
<b>FRISCHWASSERSYSTEM</b>	<b>5</b>
<b>FILTER AND WHEELS SYSTEM</b>	<b>7</b>
<b>SCHMUTZWASSERSYSTEM</b>	<b>9</b>
<b>HANDGRIFF SYSTEM</b>	<b>11</b>
<b>SQUEEGEE AND LIFT SYSTEM</b>	<b>13</b>
<b>Bürstensystem</b>	<b>15</b>
<b>WIRING SYSTEM - 9087311020</b>	<b>17</b>
<b>WIRING SYSTEM - 9087325020</b>	<b>19</b>
<b>Zubehör</b>	<b>21</b>
<b>VERDRAHTUNGSPLAN</b>	<b>23</b>
<b>EMPFOHLENE ERSATZTEILE</b>	<b>25</b>



# GENERAL SYSTEM

SC400 43 B

09-04-2015

ET-Liste-Nr.  
SC400B000

4

Pos	Artikelnr.	Me	Beschreibung
1	9099761000	1	DECALS SC400 NILFISK KIT
2	L08812670	2	Batterieverspannung
3	9099105000	1	HARNESS BATTERY
4	9098761000	1	Stecker 50A ROT
5	9099762000	1	Abdeckung
6	9100000790	1	CABLE EXTENSION EU PLUG L.1000 PKD
7	9099757000	1	NUT INSULATING
8	9099756000	1	Sicherung 125A
9	1466317000	1	SUPPORT CABLE KIT
10	1464116000	1	Handgriff
11		1	USE LINK
12		1	USE LINK
13		1	USE LINK
14		1	USE LINK
15		1	USE LINK
16		1	USE LINK
17		1	USE LINK

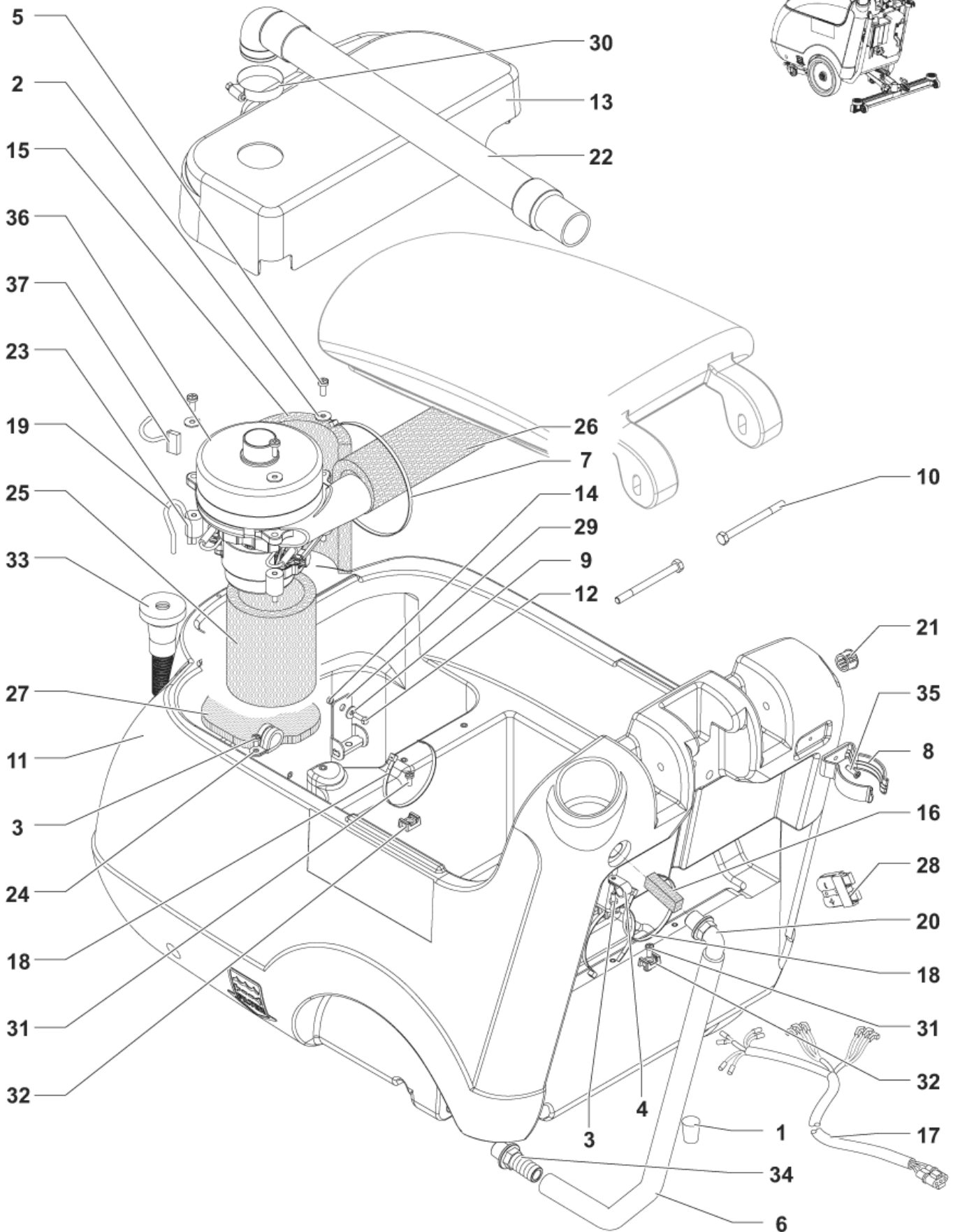
# FRISCHWASSERSYSTEM

SC400 43 B

09-04-2015

ET-Liste-Nr.  
SC400B010

5



# FRISCHWASSERSYSTEM

SC400 43 B

09-04-2015

ET-Liste-Nr.  
SC400B010

6

Pos	Artikelnr.	Me	Beschreibung	
6	9098446000	1	HOSE SOLUTION	
8	909 6380 000	1	BefestigungsKit	
11	9098448000	1	Tank RAL 7016	
13	9098466000	1	Deckel f. Motor	
15	9098801000	1	FILTER SOUND ABSORBENT	
16	9098802000	1	FILTER LEVEL WATER HOSE	
17	9099103000	1	HARNESS MACHINE	
19	9099178000	1	SUPPORT BRUSH	
20	9100001211	1	ELBOW 90 D.20 G1/2 M KIT	
22	909 5579 000	1	Schlauch	
25	909 5564 000	1	Rohr	
26	909 5565 000	1	Rohr	
27	9099184000	1	FILTER FOAM MOTOR	
28	9098761000	1	Stecker 50A ROT	
29	9099195000	1	SUPPORT ADJUSTING FRONT CPL	
33	9097290000	1	HOSE FILLING	
34	9100000574	1	FITTING STRAIGHT G1/2 D.20 KIT	
36	909 5713 000	1	Saugturbine kit	
37	909 5371 000	2	CARBON BRUSH	
K1	9099763000	1	HARDWARE SOLUTION TANK KIT	NOT SHOWN (POS.1-2-3-4-5-7-9-10)

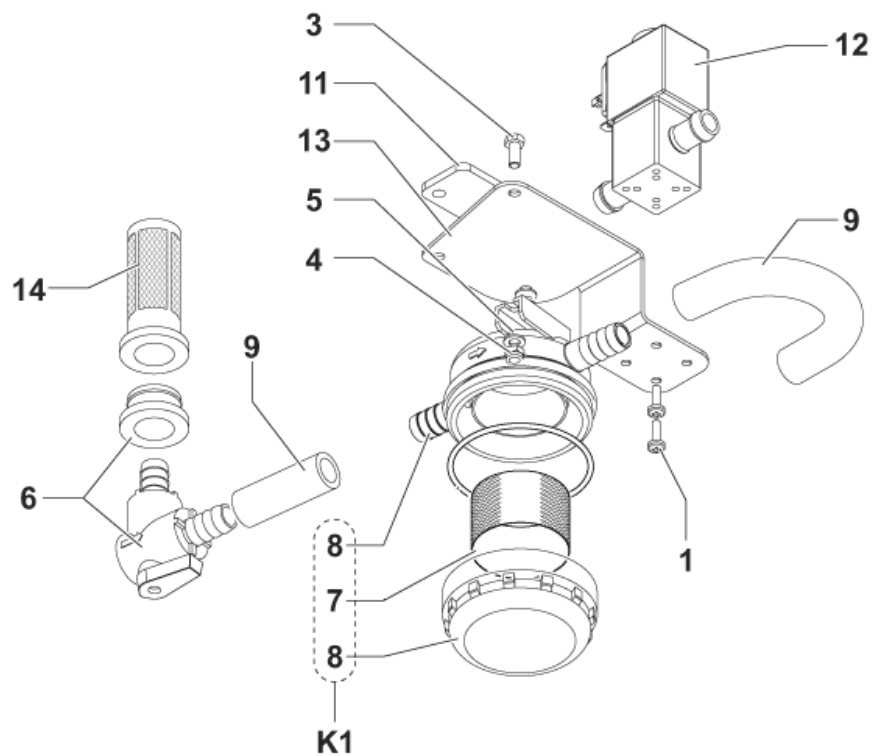
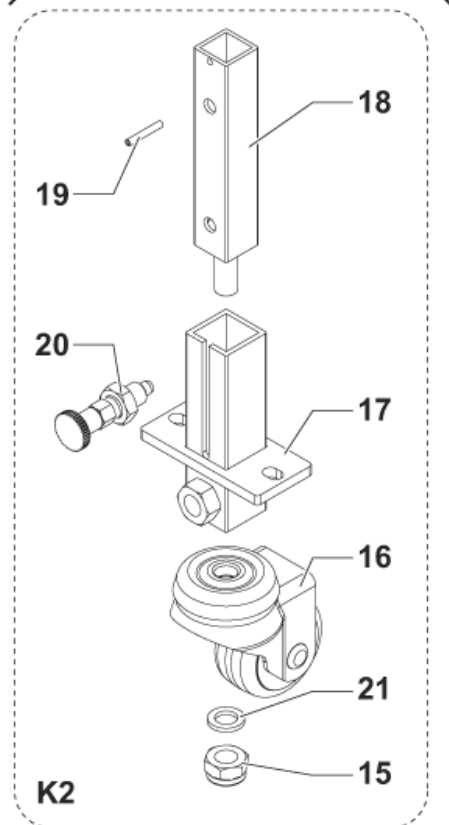
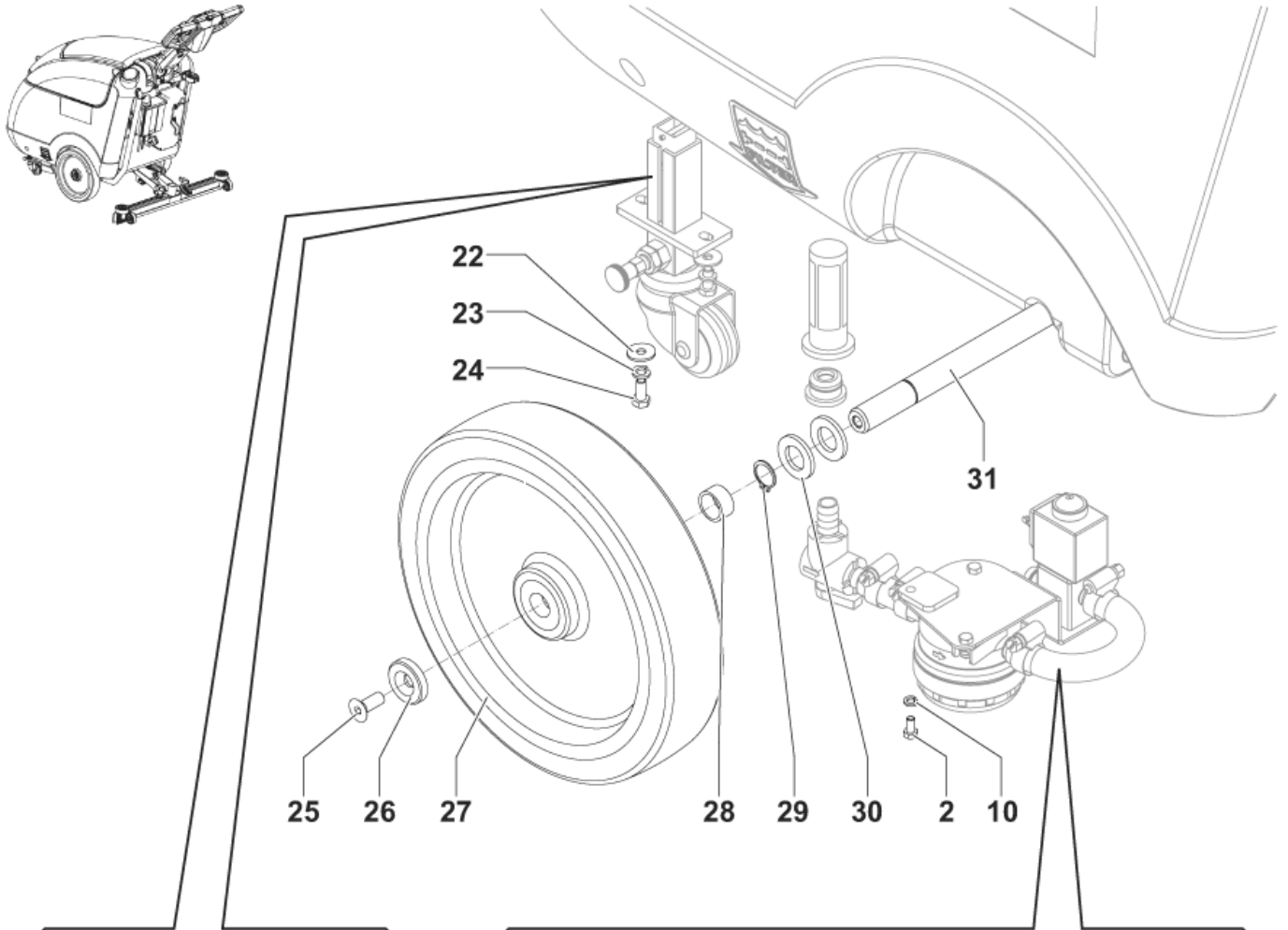
# FILTER AND WHEELS SYSTEM

SC400 43 B

09-04-2015

ET-Liste-Nr.  
SC400B020

7



# FILTER AND WHEELS SYSTEM

SC400 43 B

09-04-2015

ET-Liste-Nr.  
SC400B020

8

Pos	Artikelnr.	Me	Beschreibung	
0	9099481000	1	NET WATER FILTER REINFORCED	
6	9097626000	1	VALVE ELBOW KIT	
7	9099481000	1	NET WATER FILTER REINFORCED	
9	9099778000	1	HOSE SOLUTION FILTER KIT	
11	9099200000	1	SPACER ADHESIVE RUBBER	
12	9099247000	1	SOLENOID VALVE 24V	
13	9099179000	1	SUPPORT FILTER AND SOLENOID VALVE	
14	9096916000	1	FILTER SOLUTION TANK	OPTION
27	9099410000	2	Rad D250x50 grau	
K1	9100000362	1	FILTER WATER	(POS.7-8)
K2	9099705000	1	SUPPORT KIT f. Scrubtec 343	(POS.15-16-17-18-19-20-21)
K3	9099765000	1	Befestigungskit	NOT SHOWN (POS.25-26-28-29-30-31)
K4	9099766000	1	HARDWARE FILTER AND SUPPORT KIT	NOT SHOWN (POS.1-2-3-4-5-10-22-23-24)



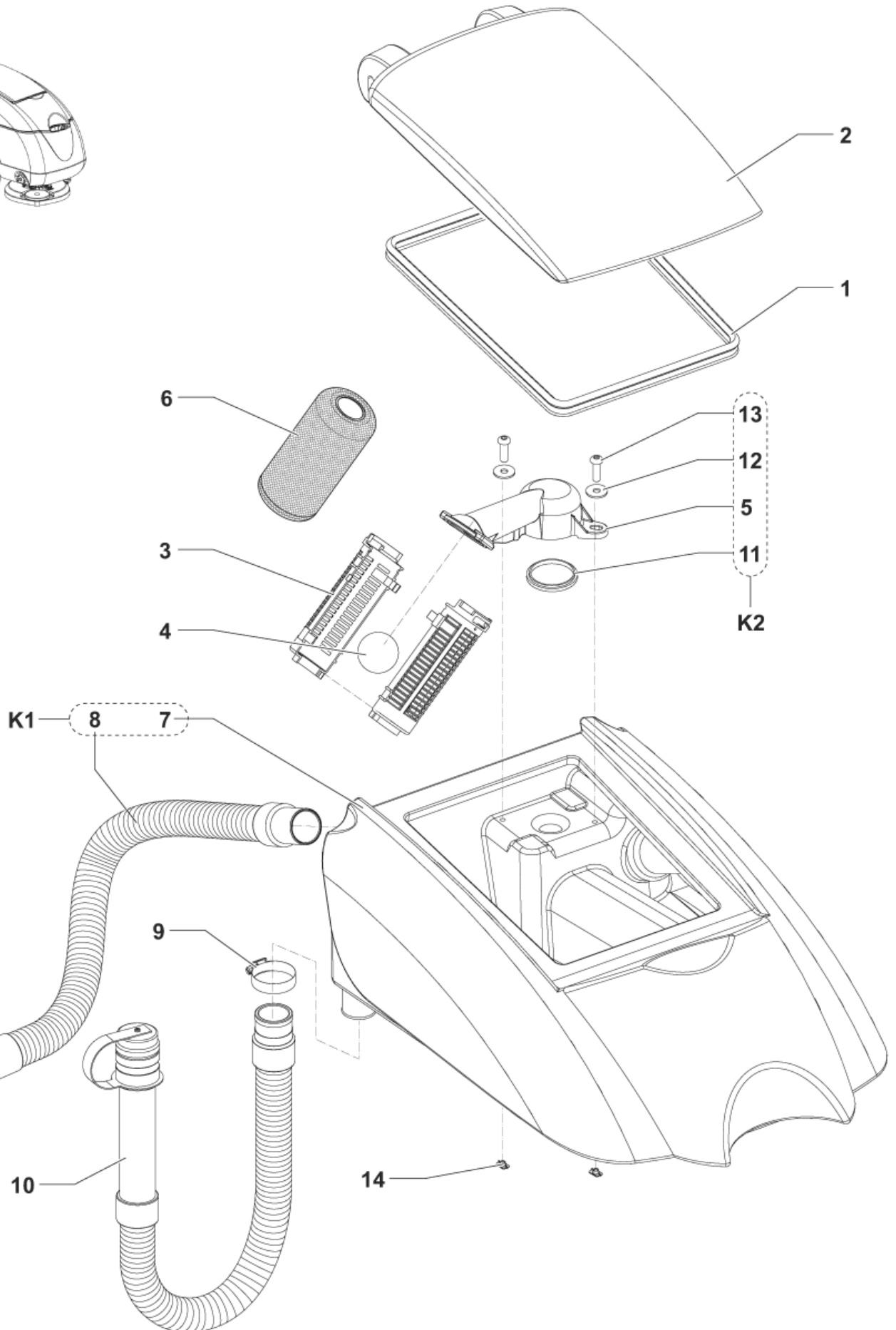
# SCHMUTZWASSERSYSTEM

SC400 43 B

09-04-2015

ET-Liste-Nr.  
SC400B030

9



# SCHMUTZWASSERSYSTEM

SC400 43 B

09-04-2015

ET-Liste-Nr.  
SC400B030

10

Pos	Artikelnr.	Me	Beschreibung
1	909 5716 000	1	Dichtung
2	909 5553 000	1	Tankdeckel
3	L08812259	2	CAGE,FLOAT CP
4	L08812373	1	BALL FLOATING
6	909 5065 000	1	FILTER ANTIFOAMING OPTION
8	910000646	1	Saugschlauch, grau
9	145 0543 000	2	CLAMP 14/32-52
10	910000648	1	Ablassschlauch grau
K1	909 6061 000	1	Schmutzwassertank BA 410 (POS.7-8)
K2	9099767000	1	SUPPORT FLOAT KIT (POS.5-11-12-13-14)

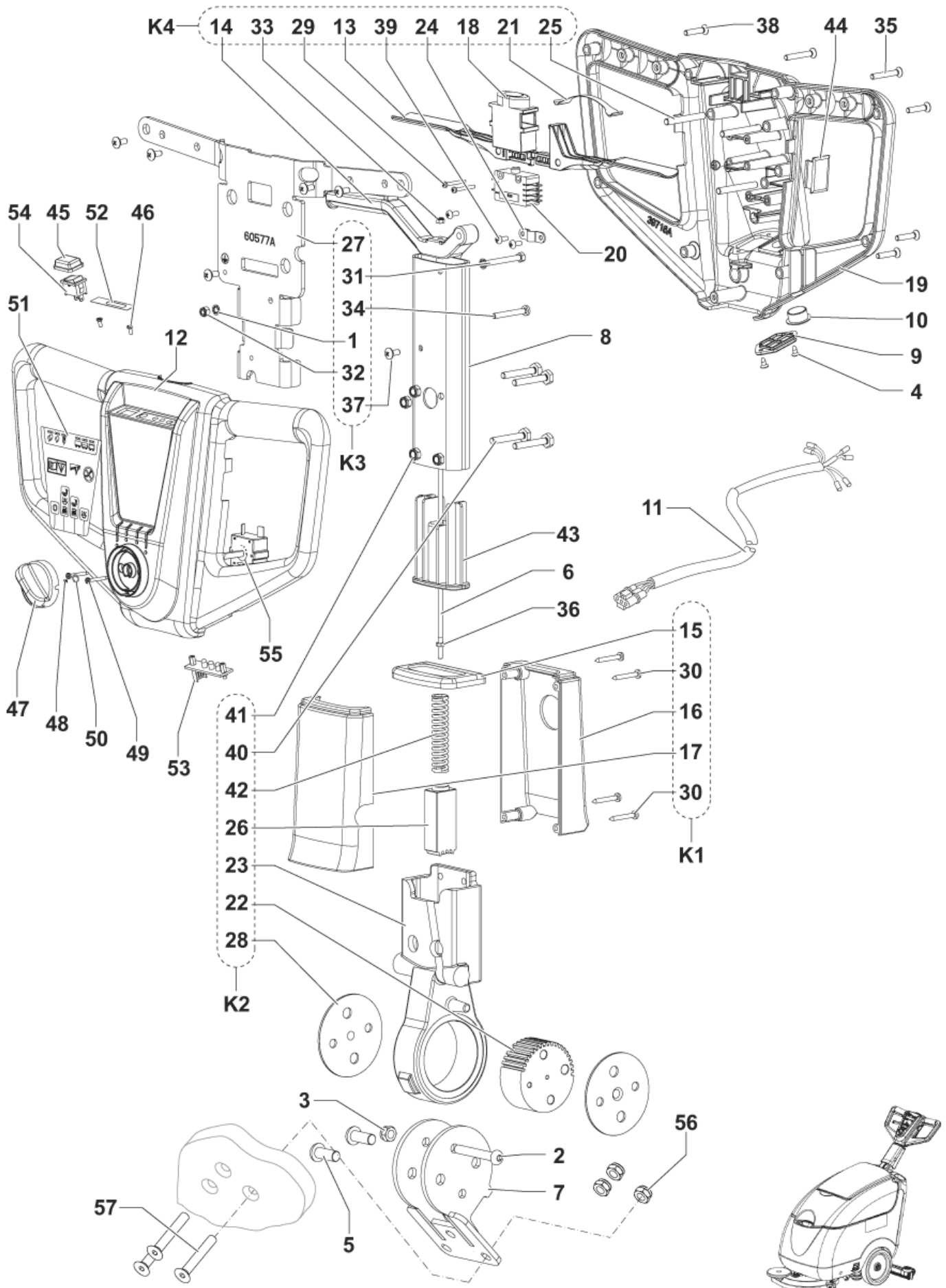
# HANDGRIFF SYSTEM

SC400 43 B

09-04-2015

ET-Liste-Nr.  
SC400B040

11



# HANDGRIF SYSTEM

SC400 43 B

09-04-2015

ET-Liste-Nr.  
SC400B040

12

Pos	Artikelnr.	Me	Beschreibung	
6	9098805000	1	ROD HANDLE ADJUSTING	
7	9098806000	1	Halterung	
8	9098808000	1	TUBE HANDLE	
9	9098812000	1	CAP FOR HANDLE	
10	9098813000	1	CAP D.18.5/D.24MM BLACK	
11	9099054000	2	CABLE HANDLE BAR	
12	9098530000	1	Schaltergehäuse vorn	
19	39716A	1	Schaltergehäuse hinten	
20	40263A	1	SWITCH DPST	
36	VV13609	1	NUT M4	
43	VF47033	1	RETAINER	
44	VF54041	1	HANDLE PLUG	
45	L08603154	1	SCHUTZKAPPE	
47	9097283000	1	KNOB CONTROL FUNCTIONS	
51	9099056000	1	DECAL CONTROL PANEL	
52	9098616000	1	DECAL BATTERY LED	
53	9099053000	1	CARD TWO-COLOURED LED	
54	9099107000	1	SWITCH SINGLE-POLE MOMENTARY	
55	9099332000	1	SWITCH ROTATIVE 4 POSITIONS	
K1	11271A	1	Abdeckungskit	(POS.15-16-17-30)
K2	11272A	1	Gehäuseunterteil	(POS.22-23-26-28-40-41-42)
K3	11273A	1	Befestigungskit für Griff	(POS.1-27-31-32-34-37)
K4	11274A	1	HANDLE SWITCH LEVER KIT	(POS.13-14-18-21-24-25-29-33-39)
K5	9099768000	1	HARDWARE HANDLE BAR KIT	NOT SHOWN (POS.2-3-4-5-35-38-46-48-49-50-56-57)
K6	9098807000	1	HANDLE BAR COMPLETE	all positions on drawing (except the pos. 51)

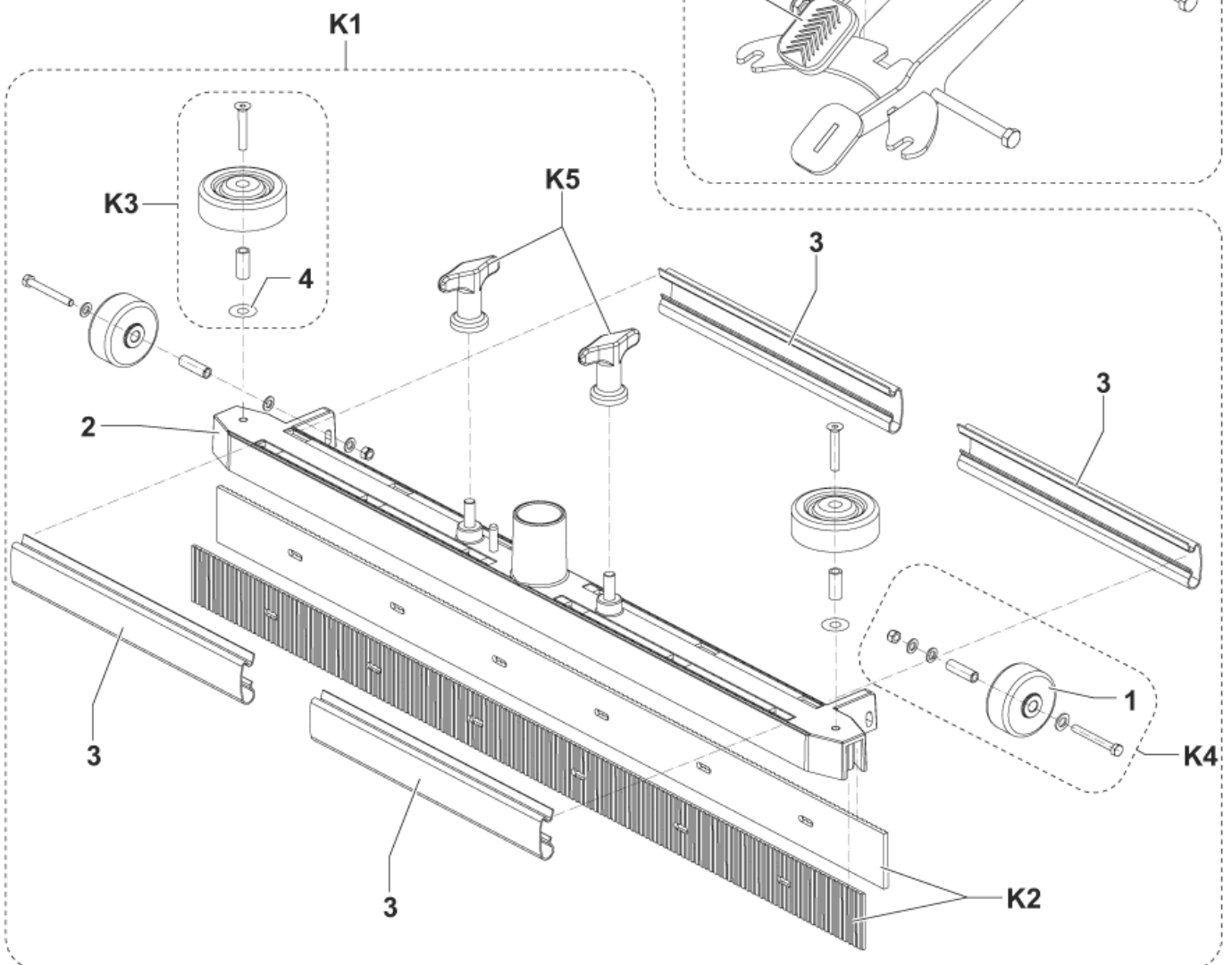
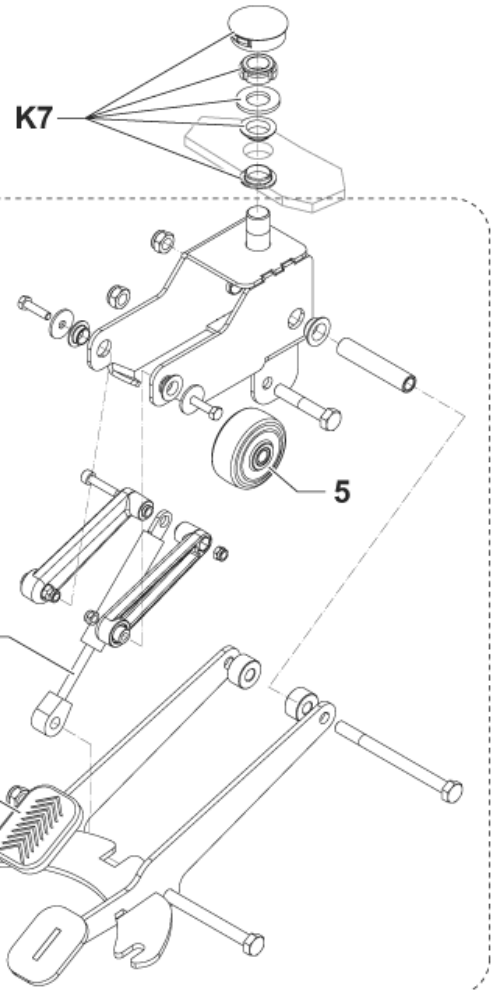
# SQUEEGEE AND LIFT SYSTEM

SC400 43 B

09-04-2015

ET-Liste-Nr.  
SC400B050

13



# SQUEEGEE AND LIFT SYSTEM

SC400 43 B

09-04-2015

ET-Liste-Nr.  
SC400B050

14

Pos	Artikelnr.	Me	Beschreibung	
1	910000559	2	WHEEL D.51 GREY PKD	
2	909 5554 000	1	Gummiwalze	
3	910000651	4	PROFILE PLASTIC F SQUEEGEE BLADE PKD	use use when 909 5555 000 is out of stock
3	910000651	1	PROFILE PLASTIC F SQUEEGEE BLADE PKD	use untill it is out of stock then order 91000006
4	L08603689	2	Scheibe 6x18x1.5	
5	910000556	1	WHEEL D.50 PKD	
6	9099106000	1	COVER PEDAL	
7	909 5637 000	1	Feder	
K1	909 5702 000	1	Saugleiste	(POS.K1-K2-K3-K4-K5-2-3)
K2	9097354000	1	KIT PU SAUGLIPPE 720MM/28"	
K3	L08603880	1	ROLLER BUMPER KIT	(POS.4)
K4	909 5703 000	2	Rad, Set	(POS.1)
K5	9097637000	1	SQUEEGEE FIXING KIT	
K6	9099769000	1	SUPPORT SQUEEGEE LIFT KIT	(POS.5-6-7)
K7	9099770000	1	Befestigungskit	

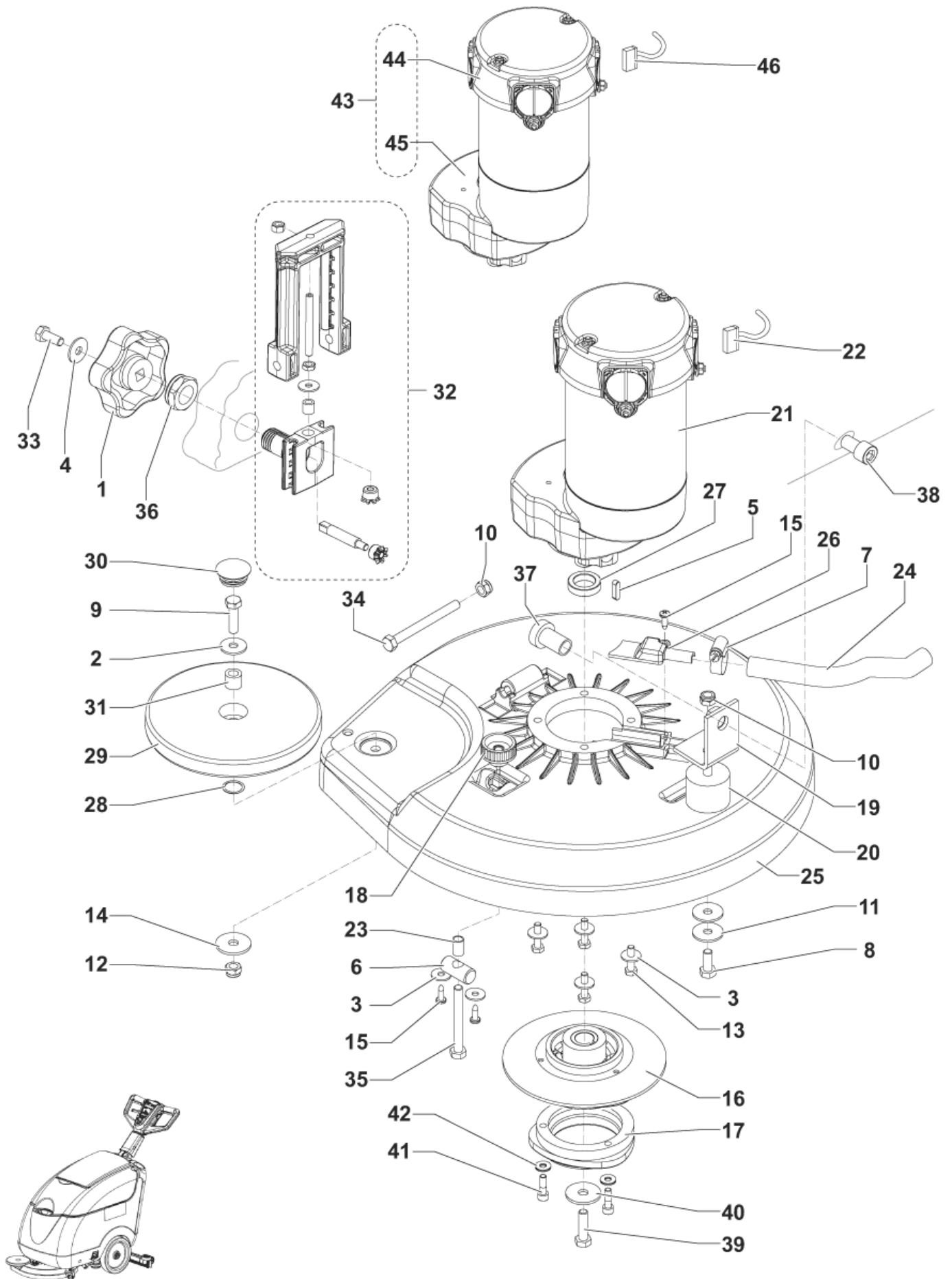
# Bürstensystem

SC400 43 B

09-04-2015

ET-Liste-Nr.  
SC400B060

15



# Bürstensystem

SC400 43 B

09-04-2015

ET-Liste-Nr.  
SC400B060

16

Pos	Artikelnr.	Me	Beschreibung	
1	9098465000	1	HANDLE LOBE SQUARE HOLE	
5	1466147000	1	KEY 5X5X20 UNI6604A PKD	
16	L08812306	1	Bürstenbüchse zu Getriebe	
17	L08812480	1	HUB,BRUSH	
18	909 5964 000	1	Stellschraube	
19	9099356000	1	BRACKET DECK SUPPORT	
20	9100000868	1	VIBRATION DAMPING M8 60SH 2 PCS SET	
21	9098308000	1	REDUCTION GEARMOTOR 450W 24V	
22	9098376000	1	CARBON BRUSHES KIT 4 PCS	
24	9099779000	1	HOSE BRUSH DECK KIT	
25	9099093000	1	DECK BRUSH	
26	9099190000	1	COVER SOLUTION HOSE SUPPORT	
29	L08812204	1	Abweisrolle zu BA 530	
32	9099771000	1	ADJUSTABLE DECK KIT	
39	9100001269	1	HARDWARE HUB BRUSH KIT	INCLUDES POSITION 39-40
43	9099805000	1	Getriebemotor 520W 24V	OPTION
44	9097114000	1	MOTOR ELECTRIC 520W 24V	OPTION
45	9099851000	1	REDUCTION GEAR	OPTION
46	909 6893 000	1	BRUSH CARBON KIT 4PCS	OPTION
K1	9099772000	1	HARDWARE BRUSH SYSTEM KIT	NOT SHOWN (POS.2-3-4-6-7-8-9-10-11-12-13-14-15-23-

Position 40 no more available as single spare, to be ordered pos. 39 9100001269 w hich includes both 39 and 40





# WIRING SYSTEM - 9087311020

SC400 43 B

09-04-2015

ET-Liste-Nr.  
SC400B070

18

Pos	Artikelnr.	Me	Beschreibung	
1	145 8046 000	1	HOLDER FUSE	
9	145 3824 000	1	Sicherung Strip 40A	
10	145 8513 000	1	Sicherung 30A	
15	146 0660 000	1	Sicherungshalter	
16	9097209000	1	SWITCH ELECTROMAGNETIC 24V	
17	9098804000	1	PLATE ELECTRIC COMPONENTS	
18	9100000184	1	CARD ELECTRONIC FUNCTIONS KIT	
19	9099104000	1	HARNESS ELECTRIC COMP. BOX	
20	9099388000	1	CHARGER BATTERY ON BOARD 24V 8A	
23	145 9852 000	1	Sicherung 5A	
24	909 6678 000	1	Sicherung 20A GLASS DELAYED	
25	909 6622 000	1	RELAY 24V 40A	
28	9099387000	1	FERRITE	
K1	9099773000	1	HARDWARE WIRING SYSTEM KIT	NOT SHOWN (POS.2-3-4-5-6-7-8-11-12-13-14-21-22-27-

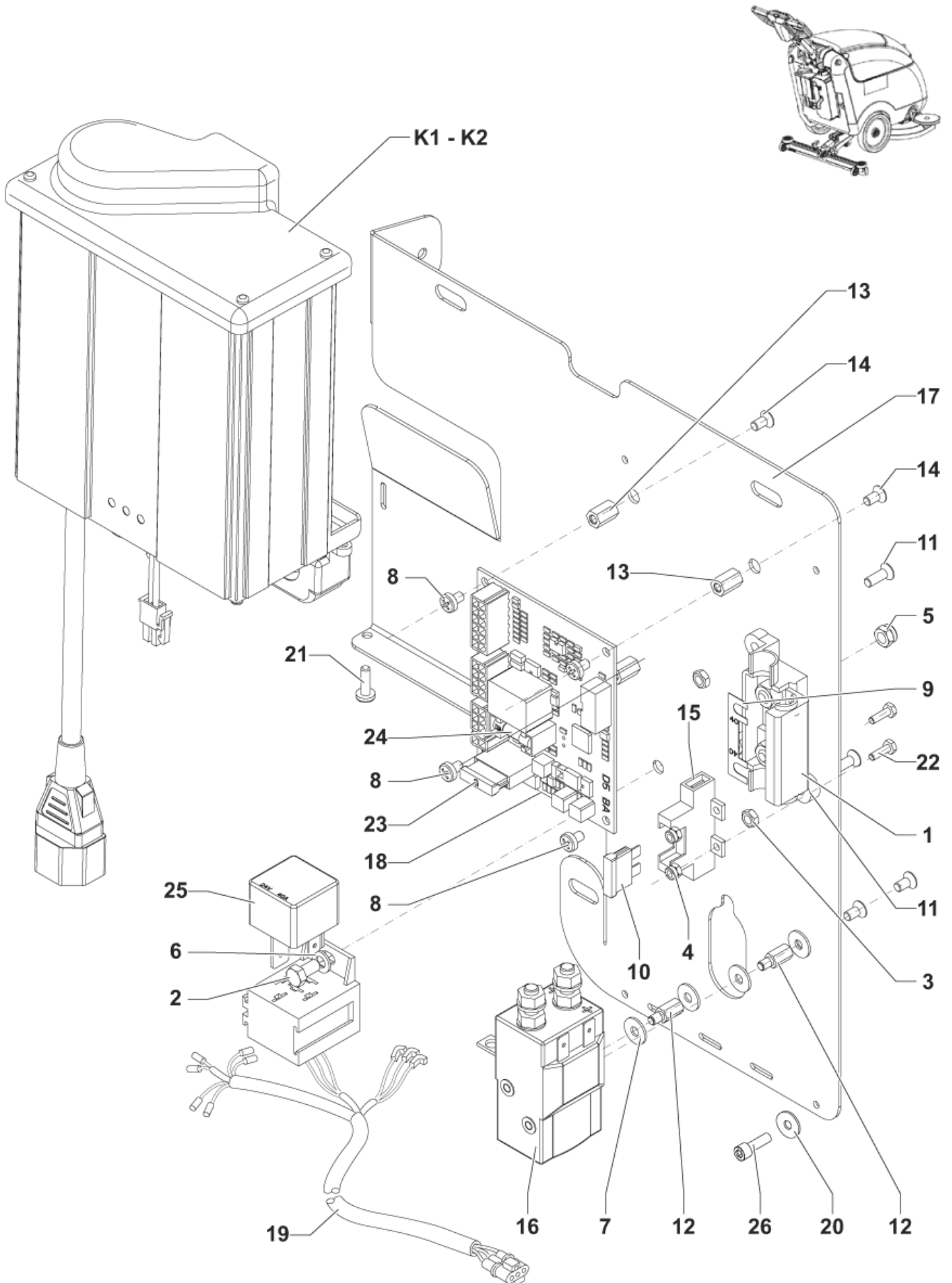
# WIRING SYSTEM - 9087325020

SC400 43 B

09-04-2015

ET-Liste-Nr.  
SC400B072

19



# WIRING SYSTEM - 9087325020

SC400 43 B

09-04-2015

ET-Liste-Nr.  
SC400B072

20

Pos	Artikelnr.	Me	Beschreibung	
1	145 8046 000	1	HOLDER FUSE	
9	145 3824 000	1	Sicherung Strip 40A	
10	145 8513 000	1	Sicherung 30A	
15	146 0660 000	1	Sicherungshalter	
16	9097209000	1	SWITCH ELECTROMAGNETIC 24V	
17	9098804000	1	PLATE ELECTRIC COMPONENTS	
18	9100000184	1	CARD ELECTRONIC FUNCTIONS KIT	
19	9099104000	1	HARNESS ELECTRIC COMP. BOX	
23	145 9852 000	1	Sicherung 5A	
24	909 6678 000	1	Sicherung 20A GLASS DELAYED	
25	909 6622 000	1	RELAY 24V 40A	
27	9099388000	1	CHARGER BATTERY ON BOARD 24V 8A	K1 - NOT SHOWN
28	9100000790	1	CABLE EXTENSION EU PLUG L.1000 PKD	K1 - NOT SHOWN
29	9099387000	1	FERRITE	K1 - K2 - NOT SHOWN
K1	9100000290	1	Einbauladegerät 24V 8A 100-230V KIT	FOR MACHINE 9087325020 - INST INTR 9100000288
K2	9100000291	1	CHARGER BATT. O/B 24V 8A 100-230V JP KIT	FOR JAPAN MARKET ONLY - INST INTR 9100000289
K3	9099773000	1	HARDWARE WIRING SYSTEM KIT	NOT SHOWN (POS.2-3-4-5-6-7-8-11-12-13-14-20-21-22-

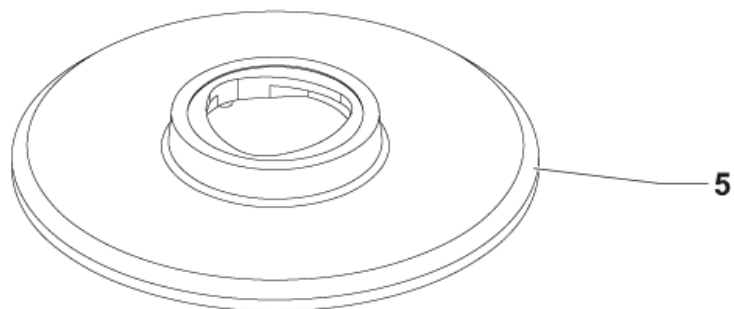
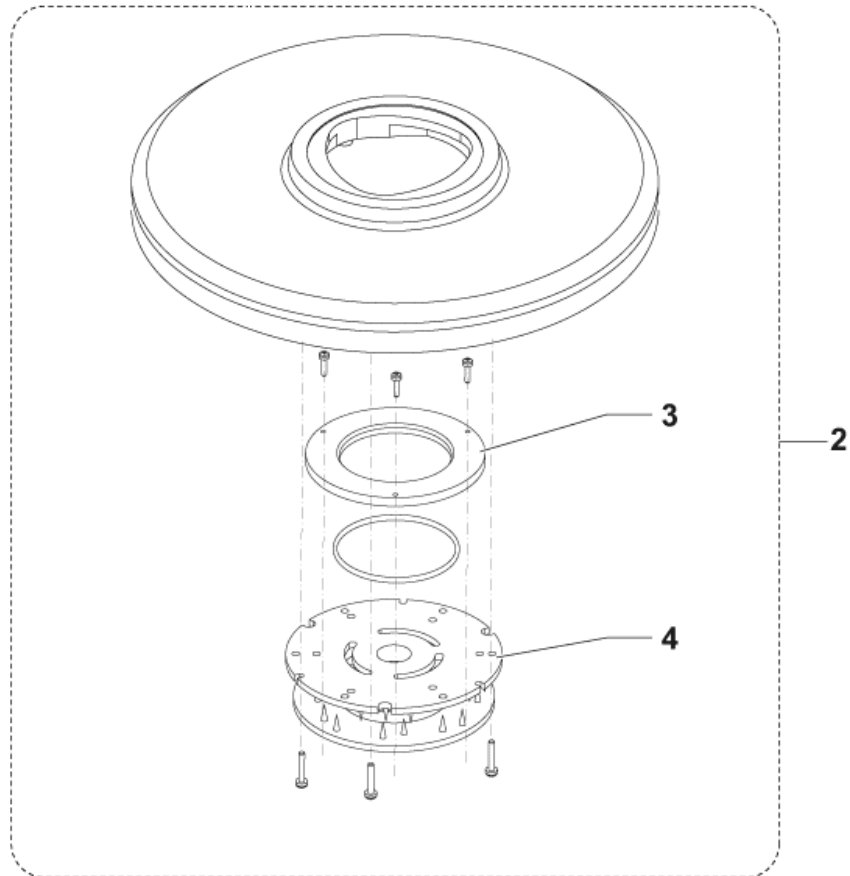
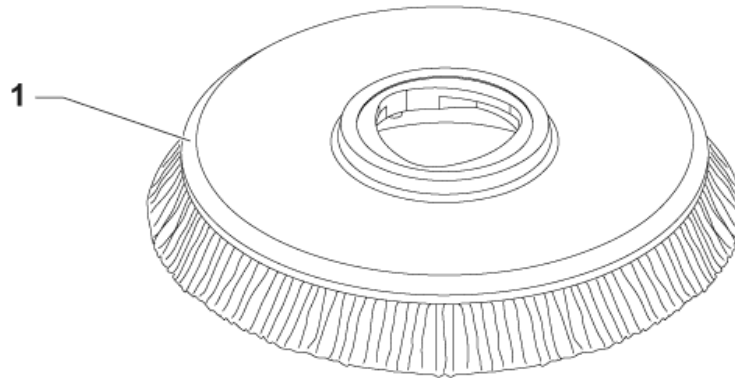
# Zubehör

SC400 43 B

09-04-2015

ET-Liste-Nr.  
SC400B080

21



# Zubehör

## SC400 43 B

09-04-2015

ET-Liste-Nr.  
SC400B080

22

Pos	Artikelnr.	Me	Beschreibung	
1	909 5691 000	1	Bürste	
1	909 5692 000	1	Bürste	
1	909 5693 000	1	Bürste	
1	909 5694 000	1	Bürste	
1	L08812891	1	Bürste D430 Polypropylen	
2	9099669000	1	Padhalter 17 432mm	
3	L08603966	1	PAD HOLDER KIT CPL 305	
4	56505195	1	Padverschluss mit Spange	
4	L08603965	1	SEAL O-RING	
5	9099669000	1	Padhalter 17 432mm	
6	10001936	1	PAD 17 432MM ECO WHITE 5PCS	NOT SHOWN
6	10001937	1	Eco Pad 17, 432mm, braun	NOT SHOWN
6	10001938	1	Eco Pad 17, 430mm, schwarz	NOT SHOWN
6	10001939	1	PAD 17 432MM ECO BLUE 5PCS	NOT SHOWN
6	10001940	1	Eco Pad 17, 432mm, grün	NOT SHOWN
6	10001941	1	PAD 17 432MM ECO RED 5PCS	NOT SHOWN
6	10002336	1	Diamant Pad 17 431mm rot	NOT SHOWN
6	10002337	1	Diamant Pad 17 431mm weiß	NOT SHOWN
6	10002338	1	Diamant Pad 17 431mm gelb	NOT SHOWN
6	10002339	1	Diamant Pad 17 431mm grün	NOT SHOWN
7	80542432	1	CHARGER HF 24V 30A OPTIMA SB50R	NOT SHOWN
8	909 5676 000	1	Kabel Ex. Plug	NOT SHOWN
9	80561252	1	BATT.12V-52AH AGM SPIRALCELL	NOT SHOWN
9	80561268	1	BATT.12V-68AH AGM SPIRALCELL	NOT SHOWN
9	80564310	1	Gelbatterie 12V /76 Ah	NOT SHOWN
9	9098977000	1	Batterie 12V/55Ah	NOT SHOWN

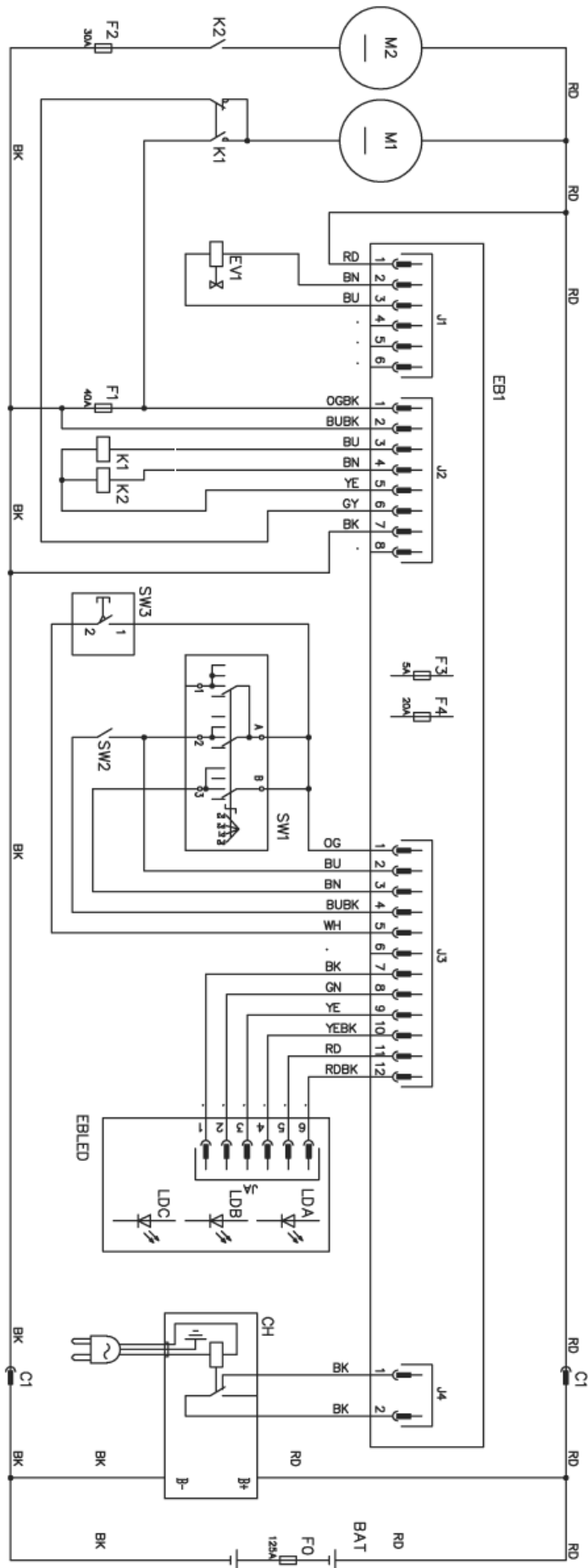
# VERDRÄHTUNGSPLAN

SC400 43 B

09-04-2015

ET-Liste-Nr.  
SC400B082

23



# VERDRAHTUNGSPLAN

SC400 43 B

09-04-2015

ET-Liste-Nr.  
SC400B08Z

24

Pos	Artikelnr.	Me	Beschreibung
C1	9098761000	1	Stecker 50A ROT
CH	9099388000	1	CHARGER BATTERY ON BOARD 24V 8A
CH	9100000291	1	CHARGER BATT. O/B 24V 8A 100-230V JP KIT
F0	9099756000	1	Sicherung 125A
F1	145 3824 000	1	Sicherung Strip 40A
F2	145 8513 000	1	Sicherung 30A
F3	145 9852 000	1	Sicherung 5A
F4	909 6678 000	1	Sicherung 20A GLASS DELAYED
K1	9097209000	1	SWITCH ELECTROMAGNETIC 24V
K2	909 6622 000	1	RELAY 24V 40A
M1	9098308000	1	REDUCTION GEARMOTOR 450W 24V
M2	909 5713 000	1	Saugturbine kit
EB1	9100000184	1	CARD ELECTRONIC FUNCTIONS KIT
EV1	9099247000	1	SOLENOID VALVE 24V
SW1	9099332000	1	SWITCH ROTATIVE 4 POSITIONS
SW2	40263A	1	SWITCH DPST
SW3	9099107000	1	SWITCH SINGLE-POLE MOMENTARY
EBL	9099053000	1	CARD TWO-COLOURED LED



# EMPFOHLENE ERSATZTEILE

SC400 43 B

09-04-2015

ET-Liste-Nr.  
SC400B090

25

Keine Zeichnung zur ET-Liste

# EMPFOHLENE ERSATZTEILE

SC400 43 B

09-04-2015

ET-Liste-Nr.  
SC400B090

26

Pos	Artikelnr.	Me	Beschreibung	
0	145 0543 000	2	CLAMP 14/32-52	E O M
0	145 3824 000	1	Sicherung Strip 40A	E O M
0	145 8513 000	1	Sicherung 30A	E O M
0	40263A	1	SWITCH DPST	E O M
0	909 5371 000	2	CARBON BRUSH	OM
0	909 5554 000	1	Gummiwalze	E O M
0	909 5637 000	1	Feder	E O M
0	909 5703 000	2	Rad, Set	E O M
0	909 5713 000	1	Saugturbine kit	OM
0	909 5716 000	1	Dichtung	OM
0	909 6380 000	1	Befestigungskit	E O M
0	9097209000	1	SWITCH ELECTROMAGNETIC 24V	E O M
0	9097354000	1	KIT PU SAUGLIPPE 720MM/28"	E O M
0	9097626000	1	VALVE ELBOW KIT	E O M
0	9098308000	1	REDUCTION GEARMOTOR 450W 24V	E O M
0	9098376000	1	CARBON BRUSHES KIT 4 PCS	OM
0	9098446000	1	HOSE SOLUTION	E O M
0	9099104000	1	HARNESS ELECTRIC COMP. BOX	E O M
0	9099106000	1	COVER PEDAL	OM
0	9099107000	1	SWITCH SINGLE-POLE MOMENTARY	E O M
0	9099247000	1	SOLENOID VALVE 24V	E O M
0	9099332000	1	SWITCH ROTATIVE 4 POSITIONS	E O M
0	9099388000	1	CHARGER BATTERY ON BOARD 24V 8A	E O M
0	9099705000	1	SUPPORT KIT f. Scrubtec 343	E O M
0	9099756000	1	Sicherung 125A	E O M
0	9099757000	1	NUT INSULATING	E O M
0	9099771000	1	ADJUSTABLE DECK KIT	E O M
0	910000184	1	CARD ELECTRONIC FUNCTIONS KIT	E O M
0	910000362	1	FILTER WATER	OM
0	910000559	1	WHEEL D.51 GREY PKD	OM
0	910000646	1	Saugschlauch, grau	OM
0	910000651	4	PROFILE PLASTIC F SQUEEGEE BLADE PKD	E O M
0	910000868	1	VIBRATION DAMPING M8 60SH 2 PCS SET	OM
0	L08603880	1	ROLLER BUMPER KIT	OM
0	L08812480	1	HUB,BRUSH	E O M
0	L08812891	1	Bürste D430 Polypropylen	NW