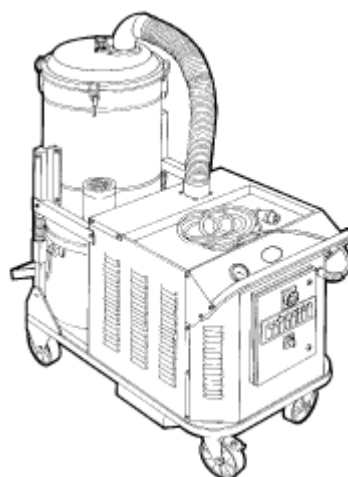


# 3907 and 3907 SE

---

Model:  
3907  
3907H  
3907L  
3907M



Part List US-English

03-02-2015

# Table of Contents

3907 and 3907 SE

<b>Frame</b>	<b>3</b>
<b>Container unit</b>	<b>5</b>
<b>Filter group</b>	<b>7</b>
<b>Cover</b>	<b>9</b>
<b>suction unit</b>	<b>11</b>
<b>Electric board</b>	<b>13</b>
<b>Control panel</b>	<b>15</b>
<b>Frame SE</b>	<b>17</b>
<b>Shaker unit SE</b>	<b>19</b>
<b>Electric board SE</b>	<b>21</b>
<b>Control panel SE</b>	<b>23</b>
<b>Absolute filter on bowing part</b>	<b>25</b>
<b>Absolute filter on suction part</b>	<b>27</b>



# Frame

3907 and 3907 SE

03-02-2015

Part List ID  
3907/SE02

4

Pos	Part no.	Qty	Description
1	Z8 40035	2	SQUARE PLUG 40 x 40 PVC
3	Z8 40036	2	SQUARE PLUG 50 x 50 PVC
4	Z8 36063	1	CAR MODEL 3707 FE
7	Z8 18157	2	SPACER 3707
1A	40000574	1	KIT FIX CASTOR D200
28	Z8 17105	1	ACCESSORIES BELT MOD.3707
29	Z8 17230	1	PROFILE ANIMATED TANK MOD.3307
2A	40000575	1	KIT REVOLV. CASTOR D200
30	Z8 16056	1	ACCESSORIES TANK M.3707
31	Z8 40037	20	FASTENER FOR SELF-THREADING.D6
32	Z8 18147	1	HANDLE MOD.3707/3907
33	Z8 17015	1	3-PHASE PLATE ALUMINIUM
34	Z8 39569	1	METAL RING NUT PG21
35	Z8 39099	1	CABLE GLAND PG21 PA SPRING
36	Z8 39122	1	CABLE SUP. 4G6 NE. SP32 9M MOD.3907
39	Z8 35083	1	MOBILE CARTER 3707 IP55
3A	40000569	1	KIT VACUUM GAUGE 6000
41	Z8 39532	1	HOLE COVER PANEL E.B.HEAD
4A	40000576	1	KIT RELEASE LEVER

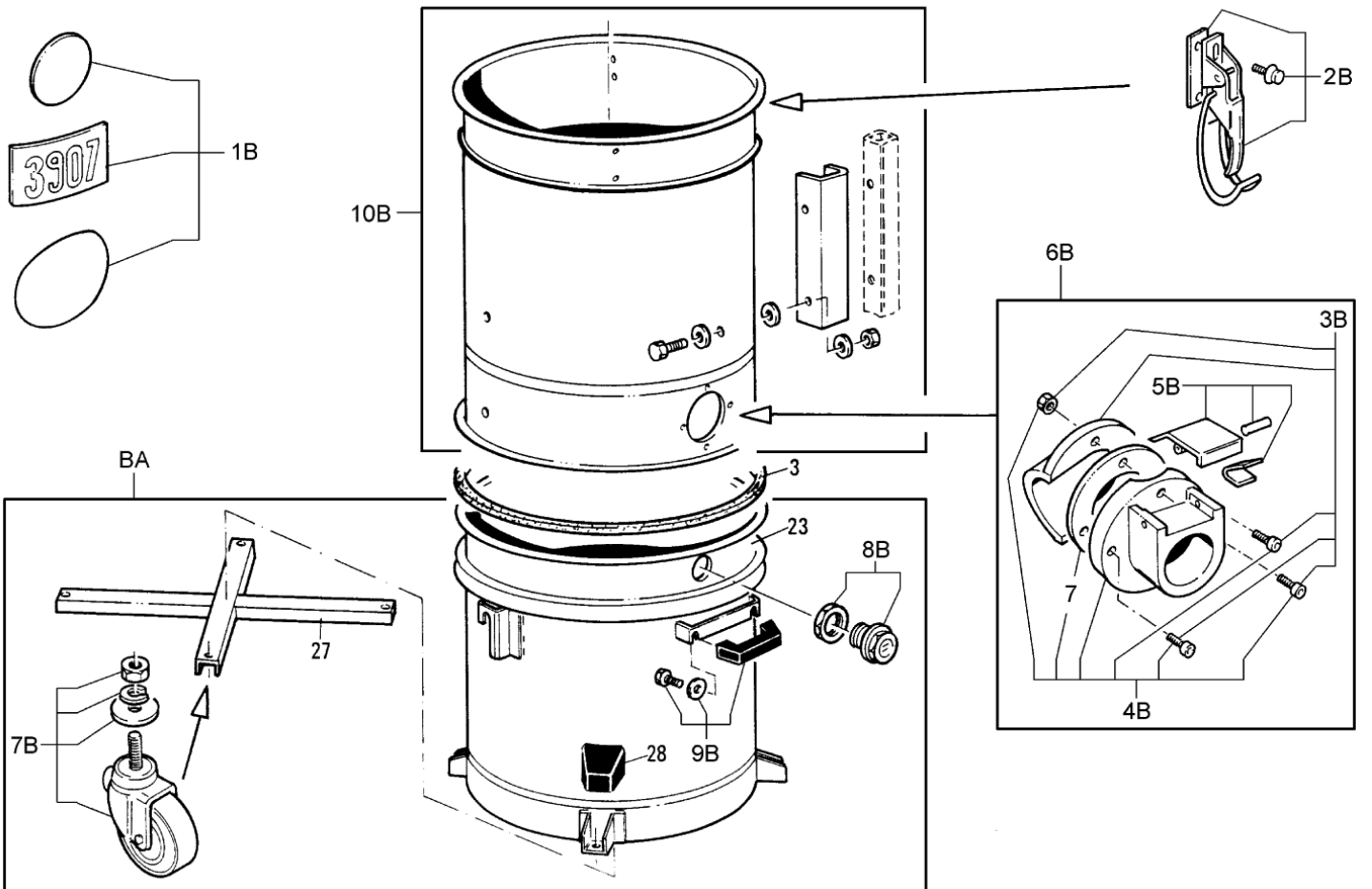
# Container unit

3907 and 3907 SE

03-02-2015

Part List ID  
3907SE04

5



# Container unit

3907 and 3907 SE

03-02-2015

Part List ID  
3907SE04

6

Pos	Part no.	Qty	Description
3	Z8 17055	1	FILTER CHAMBER SEAL D560
7	Z8 17056	1	INLET SEAL D100
1B	40000608	1	KIT LABELS
23	Z8 30025	1	CONTAINER D560x700 LT175 FE
27	Z8 36109	1	CONTAINER REINFORCEMENT D560
28	Z8 17021	4	BUMPER WHEEL HOLDER
2B	40000321	1	KIT CAP LOCK FE
3B	40000582	1	KIT DEFLECTOR D100
4B	40000581	1	KIT INLET D100
5B	40000345	1	KIT PUSHBUTTON FOR INLET D70
6B	40000583	1	KIT COMPLETE INLET D100
7B	40000577	1	KIT WHEELS FOR CONTAINER
8B	40000579	1	LEVEL GAUGE KIT
9B	40000339	1	KIT HANDLE FE
BA	Z8 30090	1	CONTAINER D560x700 FE COMPL. RELEASE
10B	40000578	1	KIT FILTER CHAMBER D560

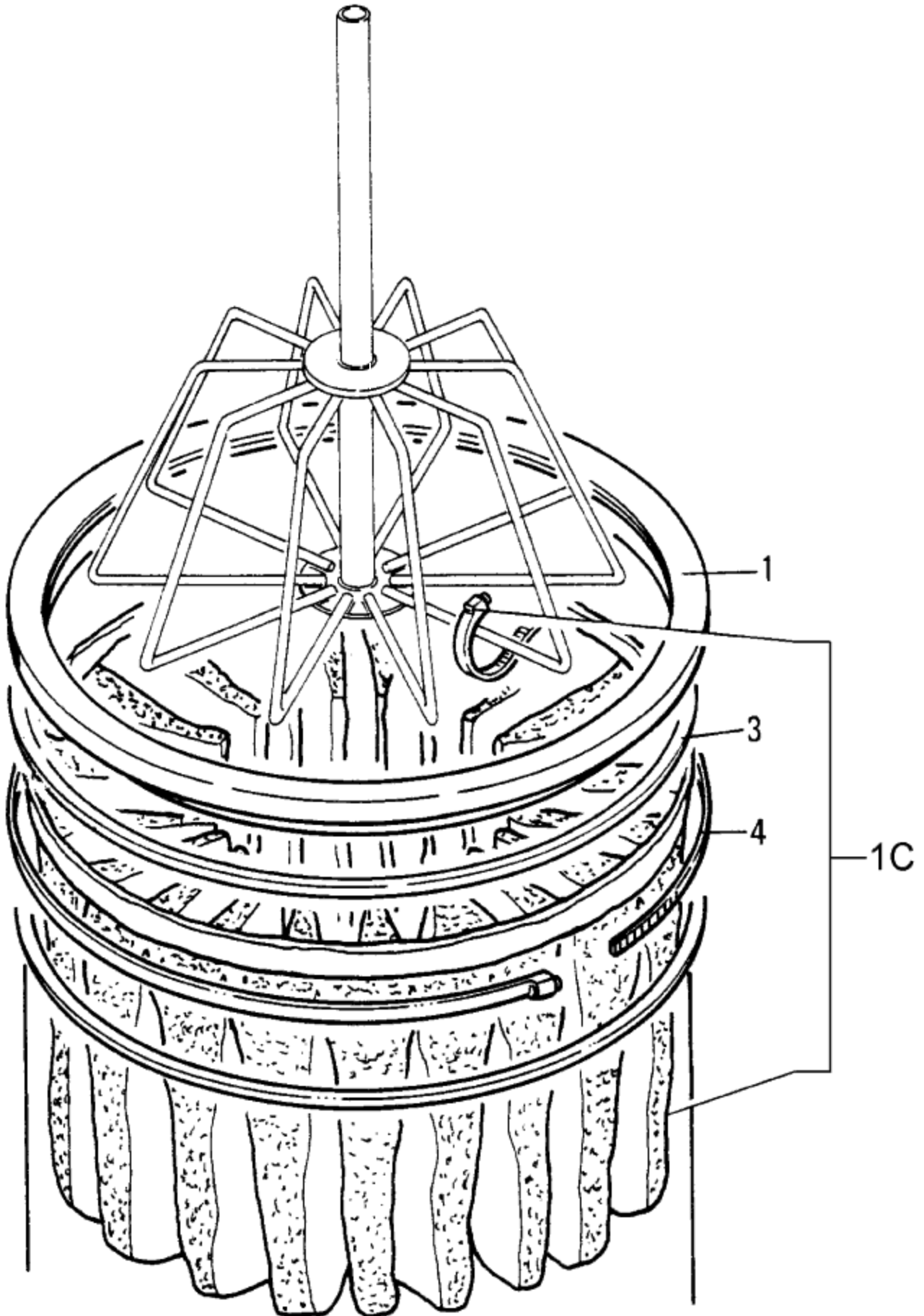
# Filter group

3907 and 3907 SE

03-02-2015

Part List ID  
3907SE06

7



# Filter group

3907 and 3907 SE

03-02-2015

Part List ID

3907/SE06

8

Pos	Part no.	Qty	Description
1	Z8 17027	1	FILTER SEAL D560 BLACK
3	Z8 15005	1	FILTER HOLDER RING D560 FE
4	Z8 18081	1	FILTER BLOCK TIE D560
1C	40000584	1	KIT STAR FILTER D560



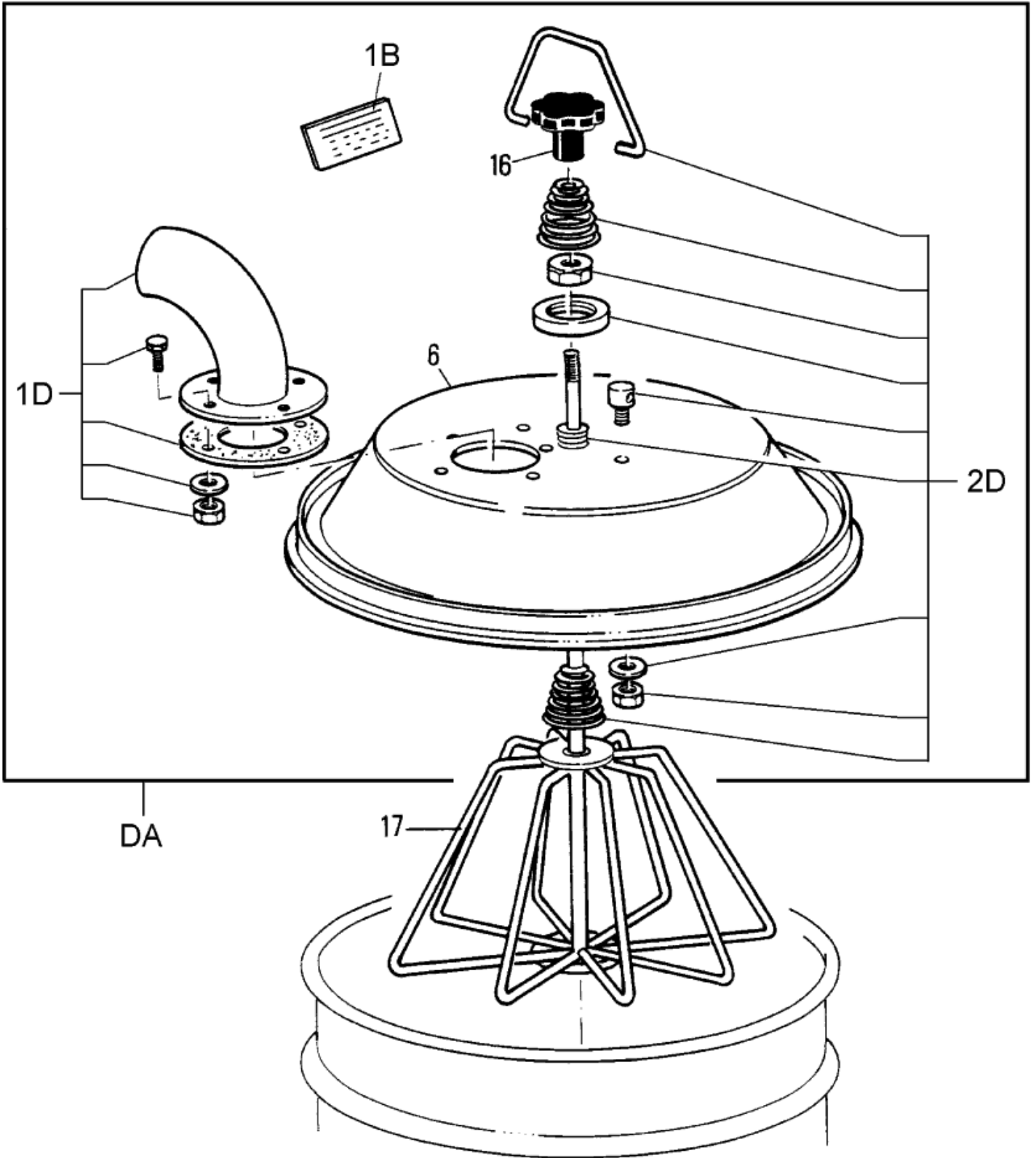
# Cover

3907 and 3907 SE

03-02-2015

Part List ID  
3907SE08

9



# Cover

3907 and 3907 SE

03-02-2015

Part List ID  
3907SE08

10

Pos	Part no.	Qty	Description
6	Z8 31229	1	CAP D560 FE HOLE D100 MAN.FILTER SHAKER
16	Z8 40027	1	KNOB D70 M12 NO HOLE
17	Z8 33073	1	STAR CAGE D560 FE
1D	40000585	1	KIT CAP COUPLING D100 FL150
2D	40000313	1	KIT FILTER SHAKER FE
DA	Z8 31230	1	CAP D560 FE COMPL. D100 MAN.FILTER

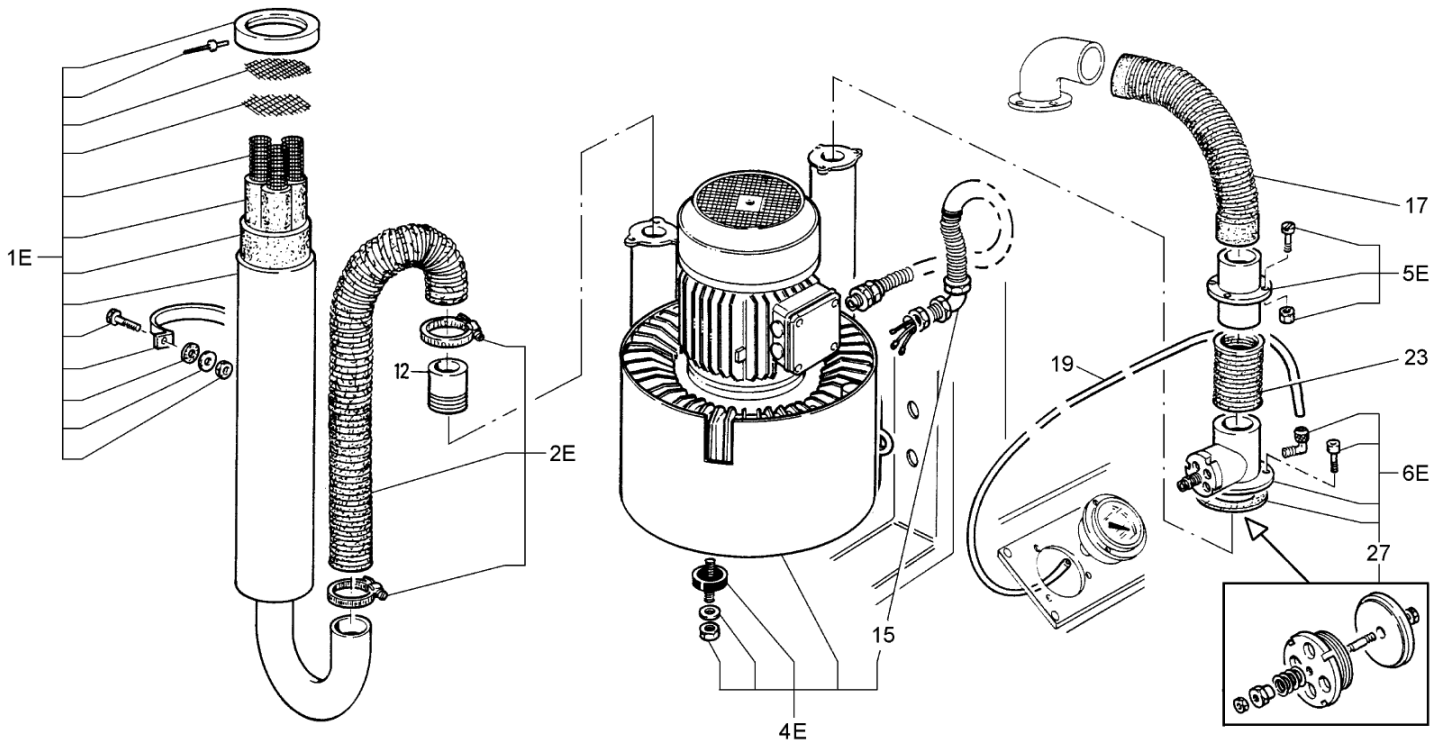
# suction unit

3907 and 3907 SE

03-02-2015

Part List ID  
3907SE10

11



# suction unit

3907 and 3907 SE

03-02-2015

Part List ID  
3907SE10

12

Pos	Part no.	Qty	Description
12	Z8 32318	1	CONN. BLOW.3907 D70 SIEMENS
15	Z8 39127	1	CABLE CONN.MOT. 7G4 FROR
17	Z8 13156	1	CONNECTION TUBE 3707/3907
19	Z8 24076	1	TUBE RILSAN 6x4 x VAC. GAUGE
1E	40000586	1	KIT SILENCER D150
23	Z7 24079	1	TUBE RUBBER D100 IN METERS
27	Z8 34024	1	RELIEF VALVE 1 1/2
2E	40000605	1	KIT BLOWING TUBE
4E	40000606	1	SUCTION UNIT KIT
5E	40000602	1	D100-100 MOBILE CONNECTION FITTING KIT
6E	40000607	1	KIT SUCTION CONNECTION D100

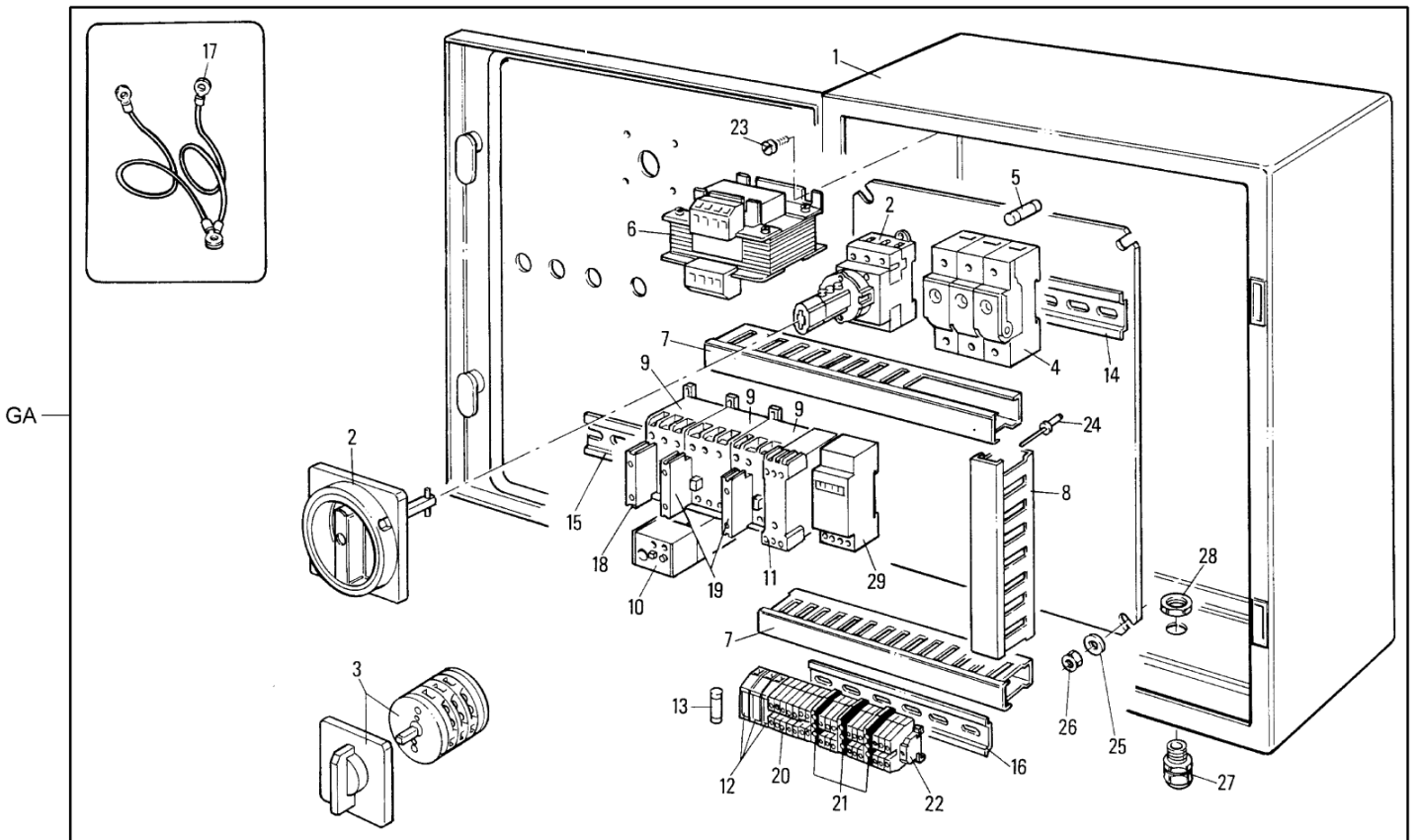
# Electric board

3907 and 3907 SE

03-02-2015

Part List ID  
3907SE12

13



# Electric board

## 3907 and 3907 SE

03-02-2015

Part List ID  
3907SE12

14

Pos	Part no.	Qty	Description
1	Z8 39701	1	CASE 400x500x200 IP65 DRILLED DRW.
2	Z8 39556	1	MAIN SWITCH 32A IP65 S
3	Z8 39557	1	REVERSER COMP. 32 A IP65 BRM
4	Z8 39106	1	FUSE HOLDER 63A 3P D02
5	Z8 39362	3	FUSE 50A D02
6	Z8 39104	1	TRANSFORMER 63VA 400/24V
7	Z8 39130	1	RACEWAY X C3
8	Z8 39130	1	RACEWAY X C3
9	Z8 39102	3	CONTACTOR KW11 24VAC SIRIUS S0
10	Z8 39103	1	THERMAL 11-16 A SIRIUS S0
11	Z8 39119	1	TIMER S/T 0-60 SEC. 24-110-230V
12	Z8 39244	3	TERMINAL FUSEHOLDER 1.5mmq S 5X20
13	Z8 39539	3	FUSE 2A 5x20 GLASS RAPID
14	Z8 39129	1	GUIDE DIN CLAMP TYPE G
15	Z8 39129	1	GUIDE DIN CLAMP TYPE G
16	Z8 39129	1	GUIDE DIN CLAMP TYPE G
17	Z8 39590	1	KIT EARTH CABLE 3707/3907
18	Z8 39366	1	CONTACT AUX CONTACTOR NO SIRIUS S2-S12
19	Z8 39367	2	CONTACT AUX CONTACTOR NC SIRIUS S2-S12
20	Z8 39120	15	TERMINAL LINE 6MMQ S
21	Z8 39121	3	TERMINAL EARTH 6MMQ S
22	Z8 39322	1	LOCK COMB.CLAMP PE.L.N 2.5mmq S
27	Z8 39205	2	CABLE GLAND PG21 PA
28	Z8 39569	2	METAL RING NUT PG21
29	Z8 39693	1	HOURS COUNTER TO GUIDE 24VAC
GA	Z8 41228	1	E.B. KW13 S/T

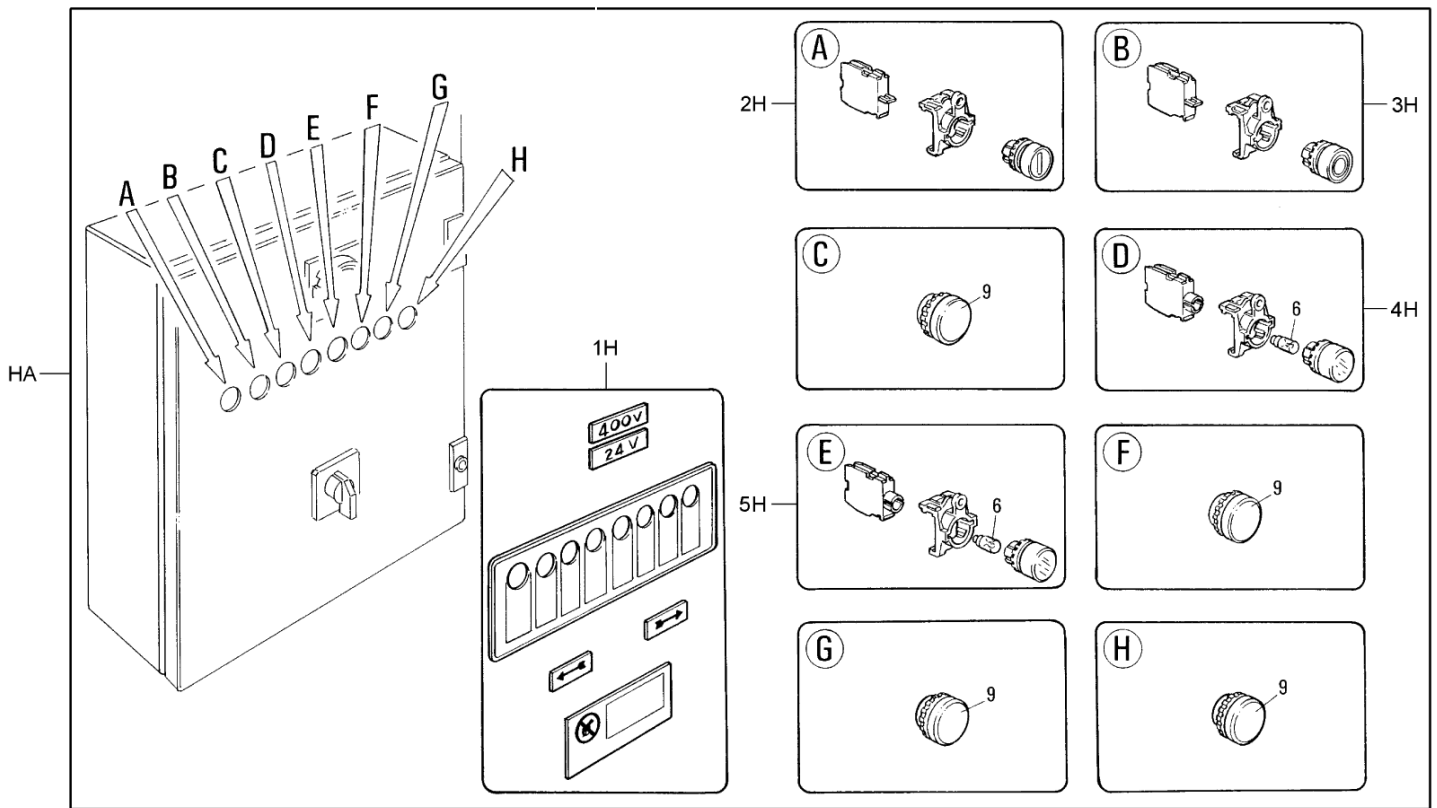
# Control panel

3907 and 3907 SE

03-02-2015

Part List ID  
3907SE14

15



# Control panel

3907 and 3907 SE

03-02-2015

Part List ID  
3907SE14

16

Pos	Part no.	Qty	Description
6	Z8 39114	2	LAMP BA9 V24
9	Z8 39522	4	PLUG BLIND CONTROL PLATE D22
1H	40000597	1	ELECTRIC BOARD LABELS KIT
2H	40000593	1	GREEN BUTTON KIT
3H	40000594	1	RED BUTTON KIT
4H	40000595	1	WHITE INDICATOR KIT
5H	40000596	1	RED INDICATOR KIT
GA	Z8 41228	1	E.B. KW13 S/T



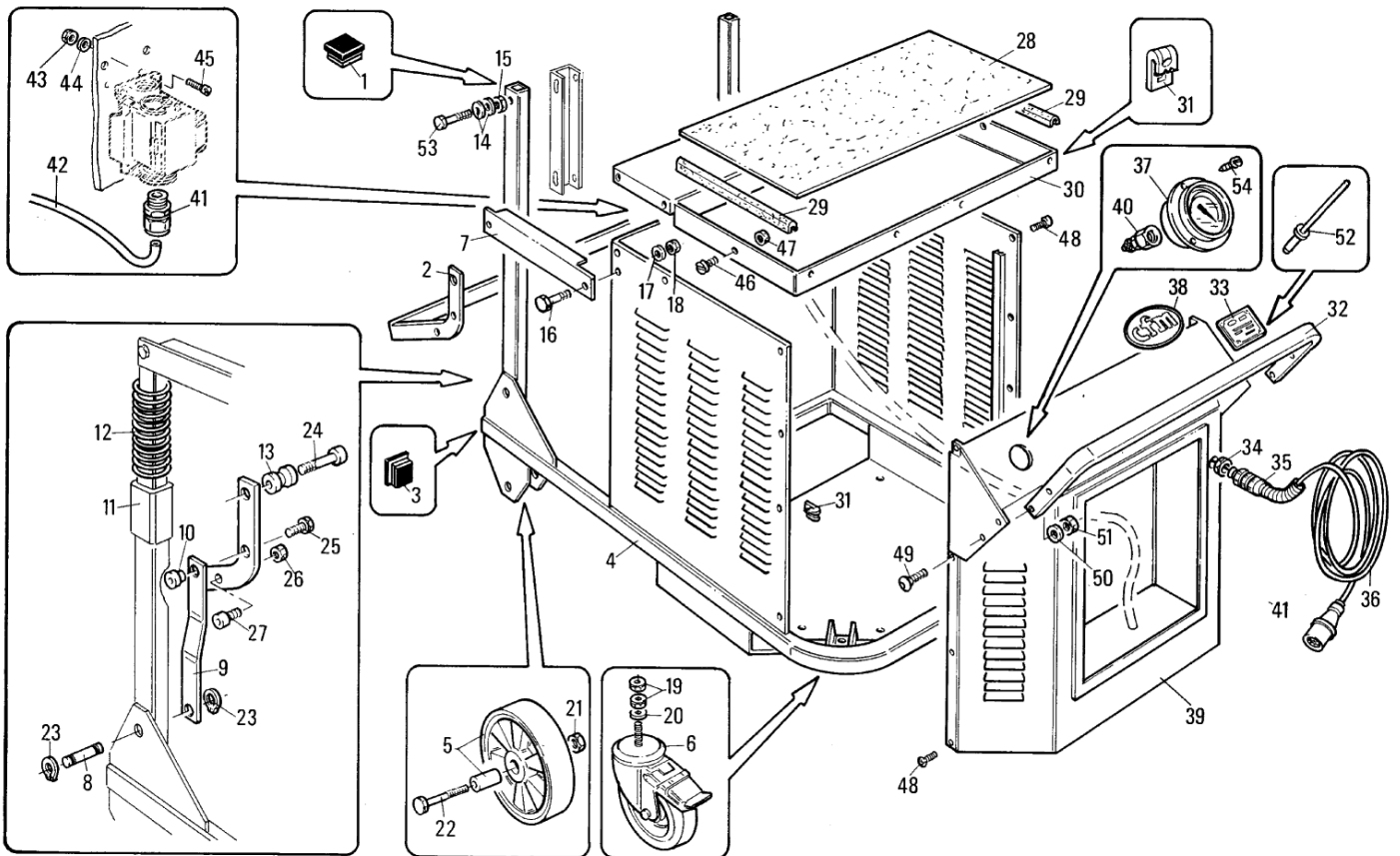
# Frame SE

3907 and 3907 SE

03-02-2015

Part List ID  
3907SE16

17



# Frame SE

## 3907 and 3907 SE

03-02-2015

Part List ID  
3907SE16

18

Pos	Part no.	Qty	Description
1	Z8 40035	2	SQUARE PLUG 40 x 40 PVC
2	Z8 14074	1	LEVER RELEASE PUSH D560 FE
3	Z8 40036	2	SQUARE PLUG 50 x 50 PVC
4	Z8 36063	1	CAR MODEL 3707 FE
5	Z8 40061	2	FIXED WHEEL D200 POLYURET. WITH BUSH+2
6	Z8 40060	2	PIVOTING WHEEL D200 POLYURETHAN + BRAKE
7	Z8 18157	2	SPACER 3707
8	Z8 14075	2	LOW PIN RELEASE D560
9	Z8 14086	2	LEVER RELEASE LIFTING D560
10	Z8 14076	2	HIGH PIN RELEASE D560
11	Z8 36055	2	RELEASE MOBILE SLIDER D560
12	Z8 14137	2	RELEASE SPRING MOD. 3707 LT175
13	Z8 14038	2	RELEASE SHEAVE D560
28	Z8 17105	1	ACCESSORIES BELT MOD.3707
29	Z8 17230	1	PROFILE ANIMATED TANK MOD.3307
30	Z8 16056	1	ACCESSORIES TANK M.3707
31	Z8 40037	20	FASTENER FOR SELF-THREADING.D6
32	Z8 18147	1	HANDLE MOD.3707/3907
33	Z8 17015	1	3-PHASE PLATE ALUMINIUM
34	Z8 39569	1	METAL RING NUT PG21
35	Z8 39099	1	CABLE GLAND PG21 PA SPRING
36	Z8 39026	1	CABLE SUP. 4G4 NE. SP32 9M MOD.3707/10
37	Z8 40057	1	VACUUM GAUGE 6000
38	Z8 17340	1	LABEL CFM BIG WHITE
39	Z8 35083	1	MOBILE CARTER 3707 IP55
40	Z8 40196	1	CONNECTION STRAIGHT 1/4F D6
41	Z8 39055	2	CABLE GLAND PG16 PA
42	Z8 39035	1	CABLE 4G1.5 FROR AL M
55	Z8 36112	1	CAR MOD. 3707 FE COMPL.

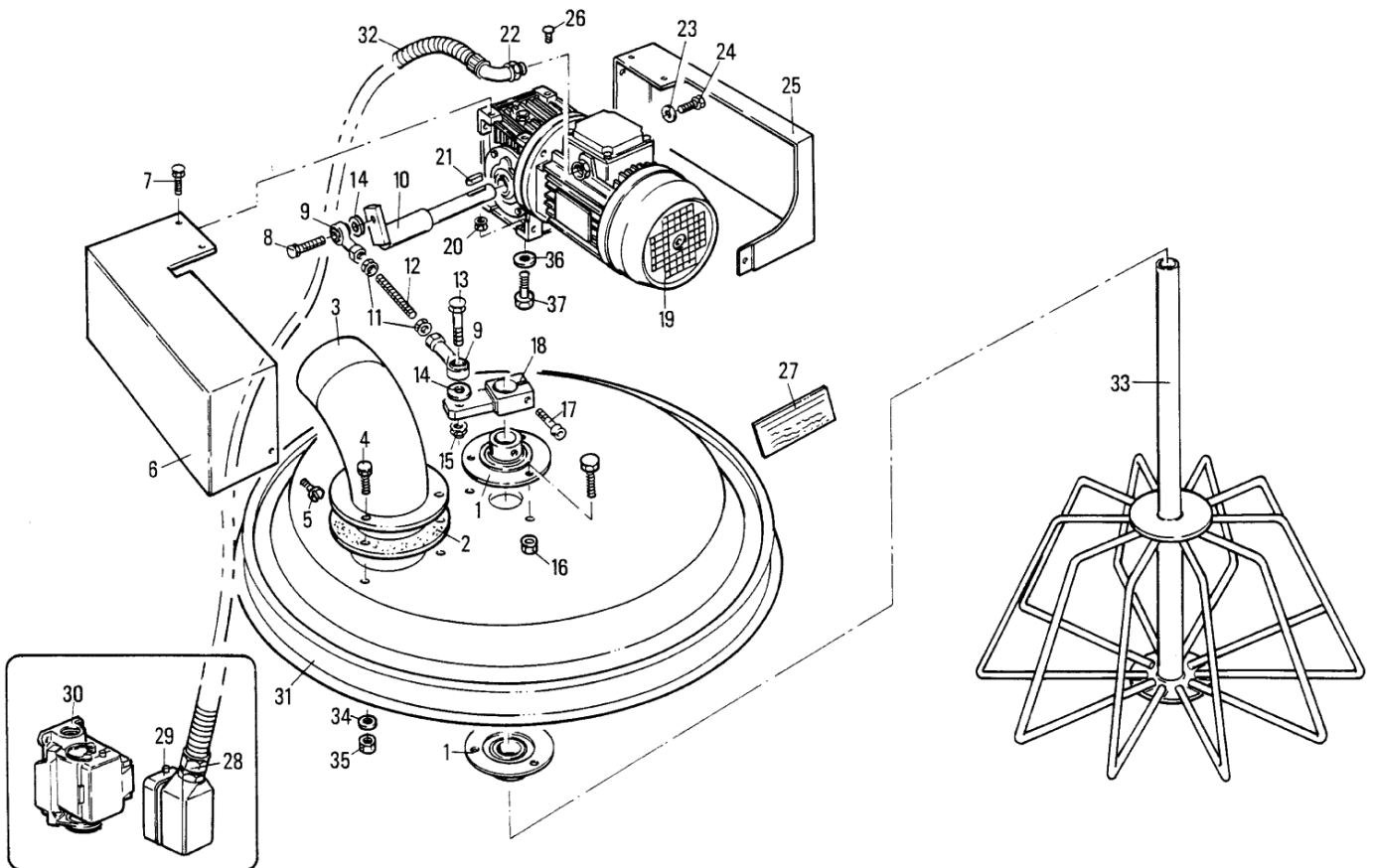
# Shaker unit SE

3907 and 3907 SE

03-02-2015

Part List ID  
3907SE18

19



# Shaker unit SE

3907 and 3907 SE

03-02-2015

Part List ID  
3907SE18

20

Pos	Part no.	Qty	Description
-	Z5 60081	1	KIT ELECT.FILTER SHAKERD560
1	Z8 38013	2	SUPPORT BEARING D20 FILTER SHAKER
2	Z8 17056	1	INLET SEAL D100
3	Z8 32118	1	BENT COUPL. D100 FL150 ZINC.
6	Z8 16083	1	CARTER ELEC.F.SHAKER D560
9	Z8 38007	2	UNIBOL D12 M12 FEMALE
10	Z8 34017	1	PIN ELECT.FILTER SHAKER D560
18	Z8 34016	1	ELECTRIC/FS LEVER D560
19	Z8 56008	1	GEARBOX FILT.SHAKER D560
21	Z8 38016	1	KEY 6X30
22	Z8 39055	1	CABLE GLAND PG16 PA
25	Z8 16083A	1	CARTER ELEC.F.SHAKER D560
26	Z8 38036	8	THREADED INSERT M6
27	Z8 17107	1	FILTER SHAKER LABEL
28	Z8 39055	1	CABLE GLAND PG16 PA
29	Z8 39327	1	MOBILE CASE x 6P+E ILME METAL IP65
30	Z8 39328	1	FIX CASE x 6P+E ILME METAL IP65
31	Z8 31330	1	CAP D560 FE HOLE D100 ELECT.FILT.SHAKER
32	Z8 39035	1	CABLE 4G1.5 FROR AL M
33	Z8 33101	1	STAR CAGE D560 ELECT.

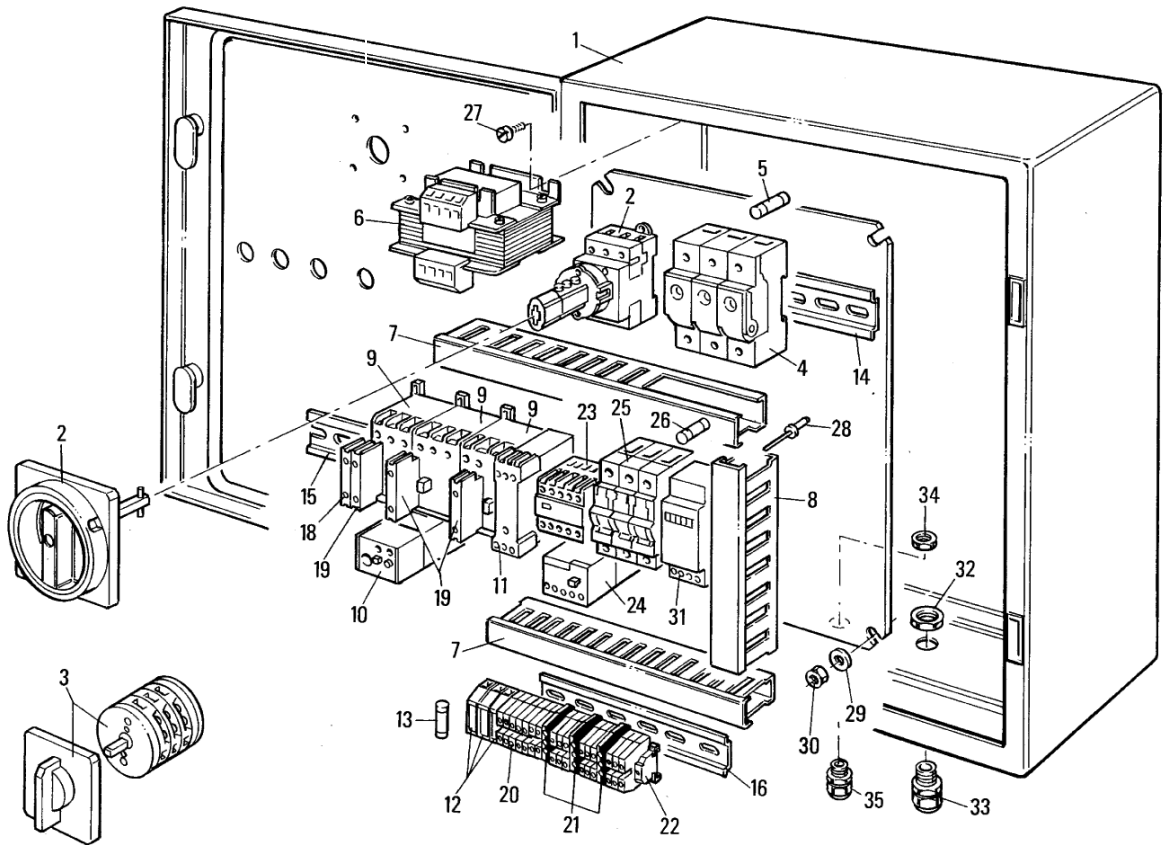
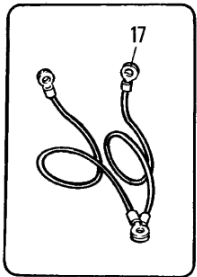
# Electric board SE

3907 and 3907 SE

03-02-2015

Part List ID  
3907SE20

21



# Electric board SE

3907 and 3907 SE

03-02-2015

Part List ID  
3907SE20

22

Pos	Part no.	Qty	Description
-	Z8 41229	1	E.B. KW13 S/T SE
1	Z8 39701	1	CASE 400x500x200 IP65 DRILLED DRW.
2	Z8 39556	1	MAIN SWITCH 32A IP65 S
3	Z8 39557	1	REVERSER COMP. 32 A IP65 BRM
4	Z8 39106	1	FUSE HOLDER 63A 3P D02
5	Z8 39362	3	FUSE 50A D02
6	Z8 39104	1	TRANSFORMER 63VA 400/24V
7	Z8 39130	1	RACEWAY X C3
8	Z8 39130	1	RACEWAY X C3
9	Z8 39102	3	CONTACTOR KW11 24VAC SIRIUS S0
10	Z8 39103	1	THERMAL 11-16 A SIRIUS S0
11	Z8 39119	1	TIMER S/T 0-60 SEC. 24-110-230V
12	Z8 39244	3	TERMINAL FUSEHOLDER 1.5mmq S 5X20
13	Z8 39539	3	FUSE 2A 5x20 GLASS RAPID
14	Z8 39129	1	GUIDE DIN CLAMP TYPE G
15	Z8 39129	1	GUIDE DIN CLAMP TYPE G
16	Z8 39129	1	GUIDE DIN CLAMP TYPE G
17	Z8 39590	1	KIT EARTH CABLE 3707/3907
18	Z8 39366	1	CONTACT AUX CONTACTOR NO SIRIUS S2-S12
19	Z8 39367	3	CONTACT AUX CONTACTOR NC SIRIUS S2-S12
20	Z8 39120	18	TERMINAL LINE 6MMQ S
21	Z8 39121	4	TERMINAL EARTH 6MMQ S
22	Z8 39322	1	LOCK COMB.CLAMP PE.L.N 2.5mmq S
23	Z8 39281	1	CONTACTOR KW4 24VAC 1NO SIRIUS S00
24	Z8 39282	1	THERMAL 0.7-1 A SIRIUS S00 OLD
25	Z8 39253	1	FUSE HOLDER 3P 16A D01
26	Z8 39363	3	FUSE 2A D01
31	Z8 39693	1	HOURS COUNTER TO GUIDE 24VAC
32	Z8 39569	2	METAL RING NUT PG21
33	Z8 39205	2	CABLE GLAND PG21 PA
34	Z8 39568	1	METAL RING NUT PG16
35	Z8 39055	1	CABLE GLAND PG16 PA

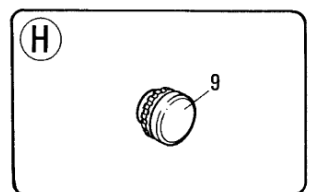
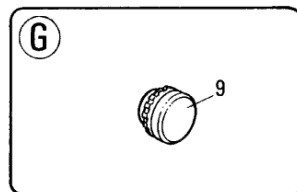
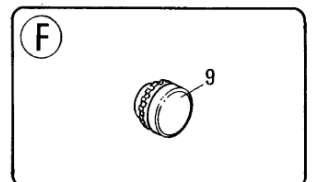
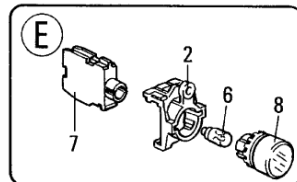
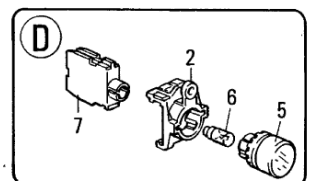
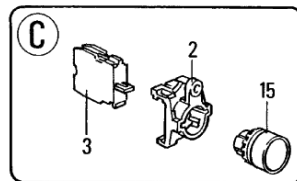
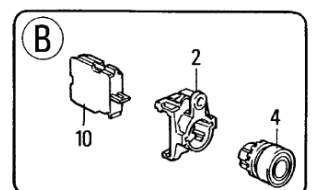
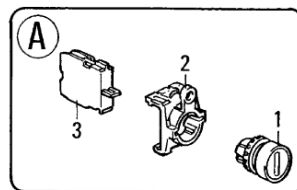
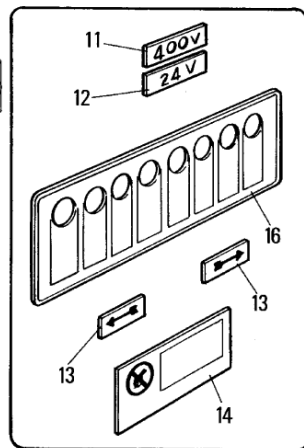
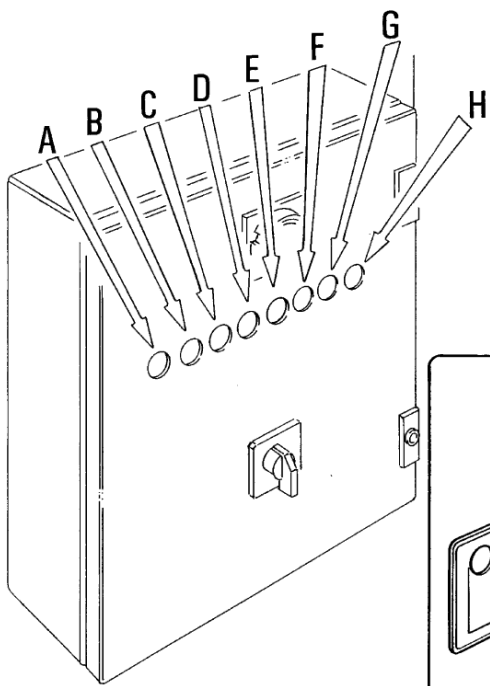
# Control panel SE

3907 and 3907 SE

03-02-2015

Part List ID  
3907SE22

23



# Control panel SE

3907 and 3907 SE

03-02-2015

Part List ID

3907SEZZ

24

Pos	Part no.	Qty	Description
-	Z8 41229	1	E.B. KW13 S/T SE
1	Z8 39107	1	PUSHBUTTON GREEN 3SB3
2	Z8 39298	5	CONTACTS SUPPORT
3	Z8 39108	2	CONTACT NO PUSH B. 3SB3
4	Z8 39109	1	PUSHBUTTON RED 3SB3
5	Z8 39111	1	PILOT LIGHT WHITE D22 3SB3
6	Z8 39114	2	LAMP BA9 V24
7	Z8 39113	2	LAMP HOLDER BA9 3SB3
8	Z8 39112	1	PILOT LIGHT RED D22 3SB3
9	Z8 39522	3	PLUG BLIND CONTROL PLATE D22
10	Z8 39110	1	CONTACT NC PUSH B. 3SB3
11	Z8 17089	1	LABEL 400V
13	Z8 17031	2	ARROW LABEL
15	Z8 39312	1	PUSHBUTTON YELLOW 3SB3



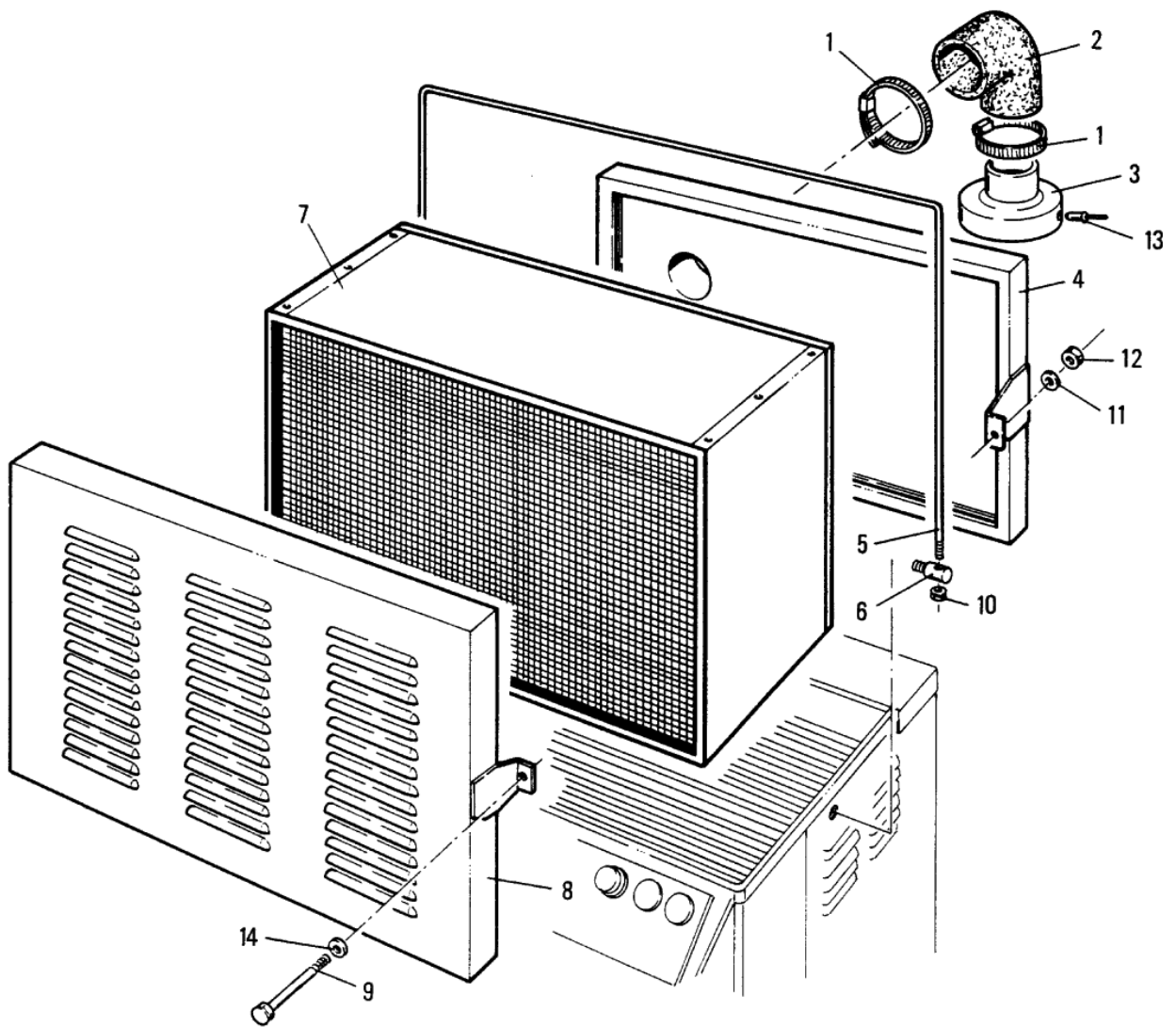
# Absolute filter on bowing part

3907 and 3907 SE

03-02-2015

Part List ID  
3907SE24

25



# Absolute filter on bowing part

3907 and 3907 SE

03-02-2015

Part List ID

3907SE24

26

Pos	Part no.	Qty	Description
-	Z5 60069	1	KIT ABS. FILTER M.3907W FE
1	Z8 40042	2	TIE D60-80
2	Z7 24068	1	TUBE BLACK ANIMATED D70 IN METERS
3	Z8 13107	1	MUFFLER COVER D150/70 FE
4	Z8 31058	1	AIR DIFFUSOR A.F. 3307/3707
5	Z8 14078	1	BRACE ABSOLUTE FILTER 3707
6	Z8 14053	2	PIN BRACE ABSOLUTE FILTER
7	Z8 17093	1	ABSOLUTE FILTER 457x610x300 H14
8	Z8 31057	1	PROTECTION ABS.FILTER3307 3707
9	Z8 14060	2	TIE ROD ABSOLUTE FILTER FE MOD.3156-3306

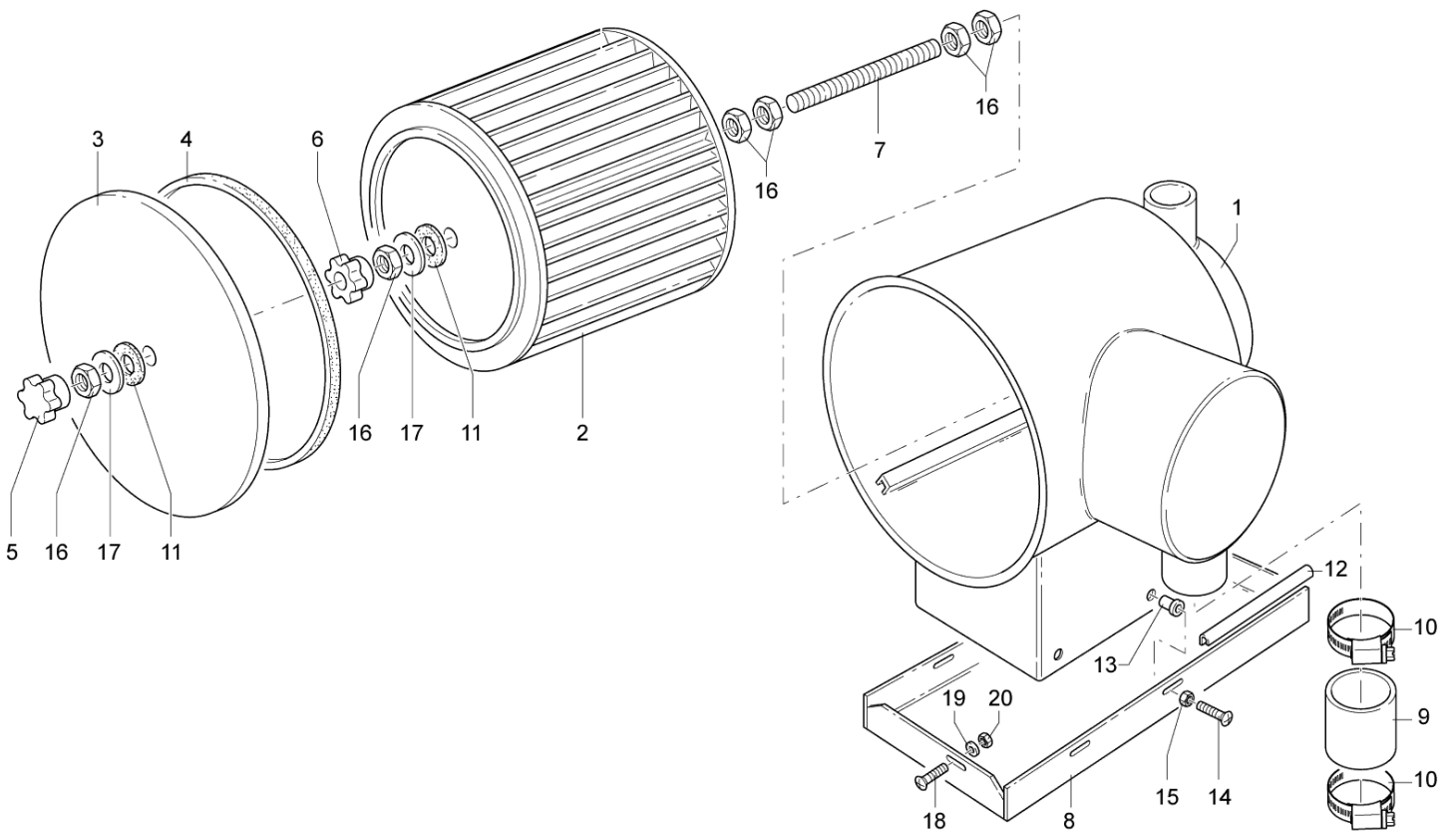
# Absolute filter on suction part

3907 and 3907 SE

03-02-2015

Part List ID  
3907SE26

27



# Absolute filter on suction part

3907 and 3907 SE

03-02-2015

Part List ID

3907/SE26

28

Pos	Part no.	Qty	Description
1	Z8 30193	1	CONTAINER D460x450 FE A.F. HORIZONTAL
2	Z8 17264	1	ABSOLUTE FILTER D410 x 400 H14
3	Z8 12145	1	CAP D460 FE x CONT. A.F.
4	Z8 17231	1	ADHESIVE SEAL 20 x 8
5	Z8 40576	1	KNOB D60 M10 NO HOLE
6	Z8 40030	1	KNOB D60 M10 THROUGH x FIXED SUCKER
7	Z8 38046	1	EXTRUDER M10 x 475 FE FOR FILTER K1
8	Z8 18843	1	BASE FIXING KIT K1 3707
9	4072400226	1	TUBE POLYURETHAN D100 ANT. FLEX MT
10	Z8 40044	2	TIE D90-120
11	Z8 38053	2	WASHER D10 IRON-RUBBER
12	Z8 17230	1	PROFILE ANIMATED TANK MOD.3307
13	Z8 38036	4	THREADED INSERT M6