

BA 550/650 (after 2002-05)

Model:

BA 550 New (56397582)

BA 650 New (56397583)



Stückliste Deutsch

16-02-2015

Inhalt

BA 550/650 (after 2002-05)

Chassis-System	3
ETIKETTENSYSTEM	7
ELCTRICAL SYSTEM	9
HANDGRIFF SYSTEM	12
SCHMUTZWASSERSYSTEM	14
SCRUB DECK SYSTEM-20" (before SN1759839)	16
SCRUB DECK SYSTEM-20" (after SN1759838)	19
SCRUB DECK SYSTEM-26"	22
SKIRT ASSEMBLIES-26"	25
FRISCHWASSERSYSTEM	27
SQUEEGEE SYSTEM-20"	30
SQUEEGEE SYSTEM-26"	32
VERDRAHTUNGSPLAN	34
Bürstenauswahlhilfe	36
56302198 - Hour Meter Kit	38
56397558 - Squeegee Cable Kit	40
56397558 - Squeegee Cable Kit	42
56397386 - Squeegee Pivot Kit	44

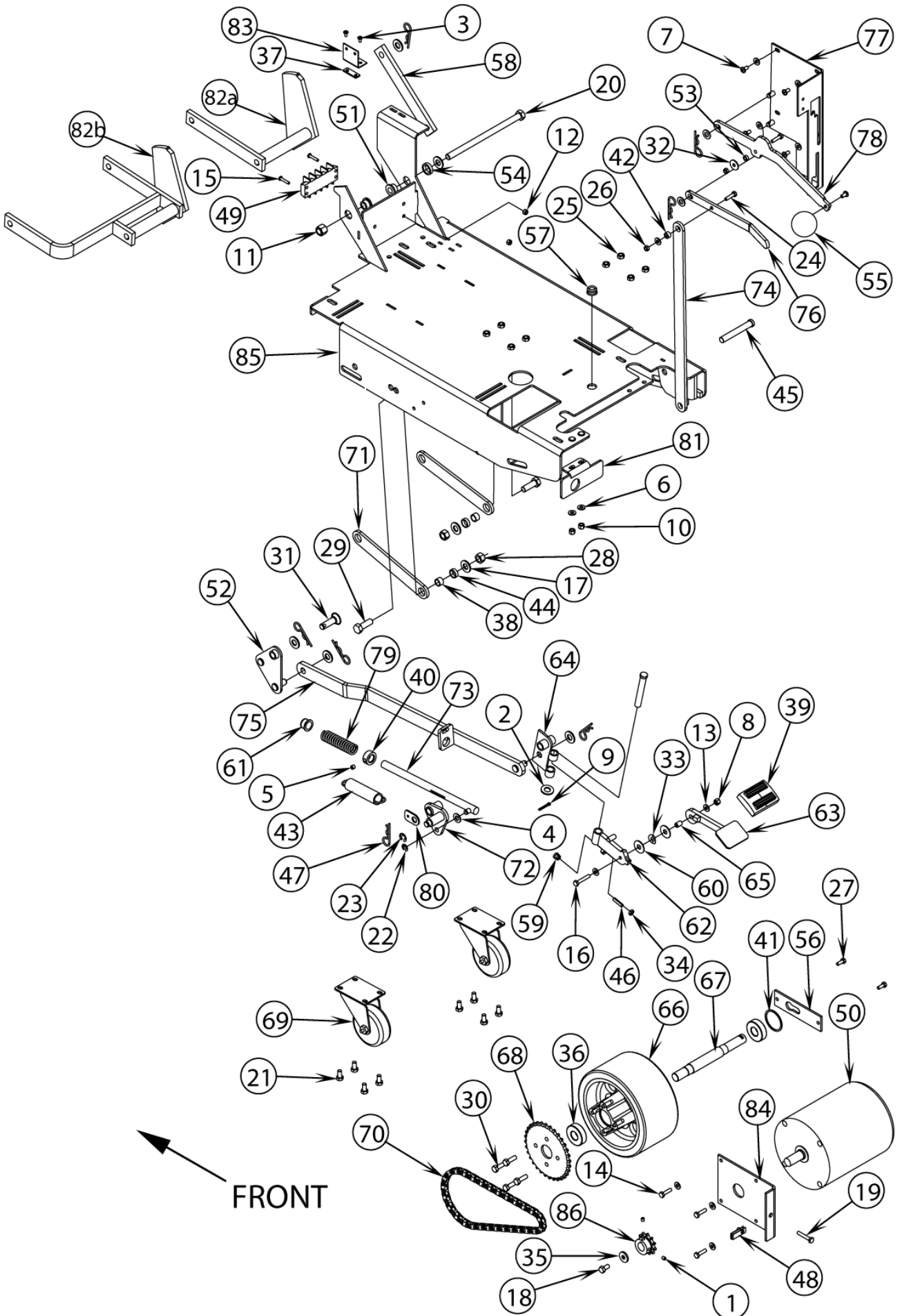
Chassis-System

BA 550/650 (after 2002-05)

16-02-2015

ET-Liste-Nr. E12613

3



Chassis-System

BA 550/650 (after 2002-05)

16-02-2015

ET-Liste-Nr. E12613

4

Pos	Artikelnr.	Me	Beschreibung
1	56001841	2	Madenschraube
2	56001879	6	U-SCHEIBEN
3	56002043	2	Schraube 10-24 x 38
4	56002063	3	"U-Scheibe 3/8""
5	56002086	1	Madenschraube
6	56002098	7	Scheibe
7	56002145	5	Schraube 1/4 20x .50
8	56002491	1	Stopmutter 1/4-20
9	56002529	1	PIN Cotter .12x1.00
10	56002708	2	Stopmutter 1/4-20
11	56002770	1	Mutter 1/2 - 13
12	56002836	2	NUT HEX NY LOC SS 10-24
13	56002859	5	Mutter SS 1/4
14	56002883	3	Schraube SS1/4-20x75
15	56002898	2	SCR PAN PHIL SS 10-24X1.0
16	56002901	1	SCHRAUBE 1/4-20X 1-1/2SS
17	56002918	2	Unterlegscheibe
18	56002929	1	SCR HEX HD LOC 5/16-18X
19	56003125	1	Schraube 1/4-20x1,5
20	56003159	1	SCR HEX 1/2 13 x 8.50
21	56003178	8	Schraube HEX THD TO HD
22	56003262	1	Ring
23	56003264	1	"Benzingring 0,5""
24	56003358	2	Schraube HEX M6x25,0
25	56003389	8	MutterHEX NYL LOC M8-1.25
26	56003403	2	Mutter M6 x 1.00
27	56003431	2	Schraube M6 x 16
28	56003450	2	Mutter
29	56003453	2	Schraube
30	56003477	4	Schraube M 8-1.25x25
31	56003520	1	Bolzen
32	56009002	1	UNTERLEGSSCHEIBE, FLACH
33	56009024	1	WASHER, BOWED
34	56009087	1	Muter Hexsam 1/4-20
35	56009122	1	Unterlegscheibe
36	56154091	2	Kugellager
37	56324310	1	NUT PLATE
38	56360627	2	Büchse
39	56365002	1	Pad, Rubber
40	56367354	1	Collar Shaft .625 CV3
41	56444731	1	Ring BA 650
42	56453691	1	Abstandshalter
43	56456847	1	SPRING EXTENSION

26" models only

NOTE 1: BA 550 before SN1645714 / BA 650 before SN1645725

NOTE 2: BA 550 after SN1645713 / BA 650 after SN1645724

Chassis-System

BA 550/650 (after 2002-05)

16-02-2015

ET-Liste-Nr. E12613

5

Pos	Artikelnr.	Me	Beschreibung	
44	56478781	2	LAGER	
45	56003519	2	Bolzen .50x3.50	
46	56003522	1	SCR SOC SET LOC 1/4 20 X 1.00	
47	56003222	7	"Splint 0.125" x 0.5"'"	
48	56009289	1	Schraube 1/4-2	
49	56026111	1	TERMINAL BLOCK 50 AMP	
50	56026191	1	Motor DC 24 V	Wheel Drive / M2 - TSBUS2003-838 - NOTE 1
50	56396311	1	Fahrmotor 24V	Wheel Drive / M2 - TSBUS2003-838 - NOTE 2
50	56397135	1	BEARING F.E.	Not shown
50	56397137	1	BRUSH BOARD SPRINGS/BRUSHES	Not shown
50	56397138	4	Kohlefeder Tellerbürstmot	Not shown
50	56397139	4	Kohlebürsten Tellerbürst-enmotor BA 755/	Not shown
51	56027131	2	Lagerflansch	
52	56035589	1	WELDMENT LINKAGE TRIANGULAR	
53	56054335	1	SPACER STEEL	
54	56054581	1	SPACER STEEL	
55	56057391	1	HANDLE BALL ALUM 2.125 DIA	
56	56057763	1	Halterung	
57	56057764	1	BUSHING GUIDE	
58	56057771	1	BAR STEEL	
59	56057842	1	PLUG BUTTON	
60	56151068	2	U-Scheibe	
61	56393792	1	Lagerflansch	
62	56396239	1	WELDMENT PEDAL LEVER	
63	56396240	1	WELDMENT PEDAL LEVER	
64	56396244	1	WELDMENT FOOT PEDAL PIVOT	
65	56396249	1	Buchse	
66	56397001	1	Rad BA 650	
67	56397003	1	Achse BA 650	
68	56397005	1	Kettenrad BA 650	
69	56396253	2	Lenkrolle f. BA 650	Not included, optional
69	56397016	2	Schwenkrollezu BA 550/650	
70	56397017	1	Kette zu BA 550/650	
71	56397049	2	ARM	
72	56397054	1	PIVOT FOOT WELDMENT	
73	56397057	1	ROD WELDMENT	
74	56397060	1	LINKAGE BRUSH LIFT	
75	56397062	1	BAR WELDMENT	
76	56397063	1	BAR	
77	56397064	1	Metallplatte BA 650	
78	56397086	1	Hebel	
79	56397131	1	COMPRESSION SPRING	
80	56397132	1	Platte	26" models only

NOTE 1: BA 550 before SN1645714 / BA 650 before SN1645725

NOTE 2: BA 550 after SN1645713 / BA 650 after SN1645724

Chassis-System

BA 550/650 (after 2002-05)

16-02-2015

ET-Liste-Nr. E12613

6

Pos	Artikelnr.	Me	Beschreibung	
81	56397136	1	BRACKET REAR COVER	
83	56397199	1	BRACKET SWITCH	
84	56397567	1	BRACKET TENSION	
85	56397569	1	WELDMENT FRAME	
86	56741122	1	Ritzel	
82A	56397146	1	WELDMENT BRUSH LIFT 20	26" models only
82B	56397197	1	WELDMENT BRUSH LIFT 26	26" models only

NOTE 1: BA 550 before SN1645714 / BA 650 before SN1645725

NOTE 2: BA 550 after SN1645713 / BA 650 after SN1645724

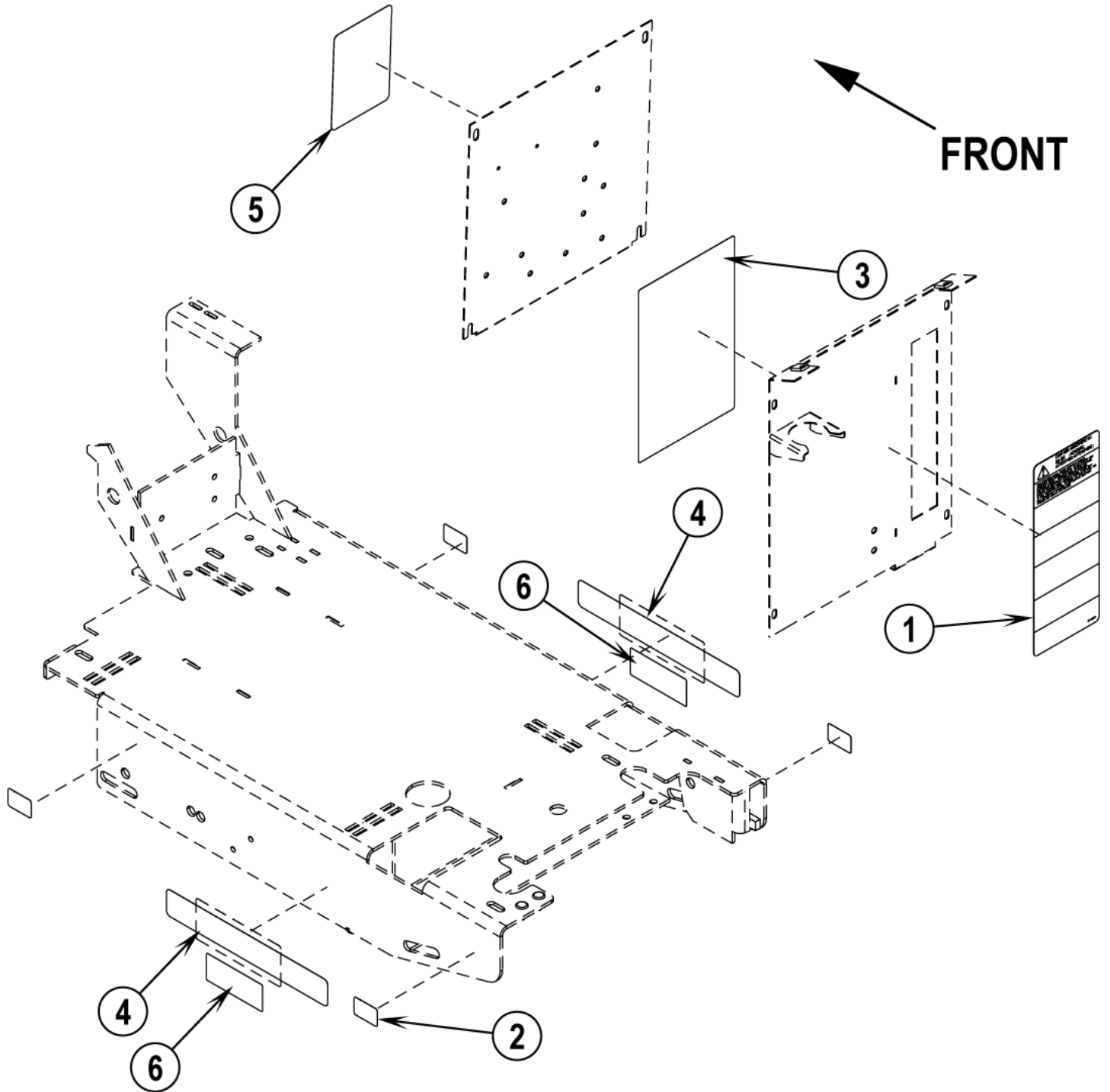
ETIKETTENSYSTEM

BA 550/650 (after 2002-05)

16-02-2015

ET-Liste-Nr. E12615

7



ETIKETTENSYSTEM

BA 550/650 (after 2002-05)

16-02-2015

ET-Liste-Nr.

E12615

8

Pos	Artikelnr.	Me	Beschreibung
1	56014601	1	DECAL, CAUTION
2	56015370	4	Decal, Tie Down
3	56016321	1	DECAL ELECTRICAL SCHEMATIC
4	56016648	2	DECAL CONVERTAMAX 20
4	56016649	2	DECAL CONVERTAMAX 26 Before serial no. 1735164
4	56016651	2	DECAL BA650
5	56016653	1	DECAL BATTERY WIRING

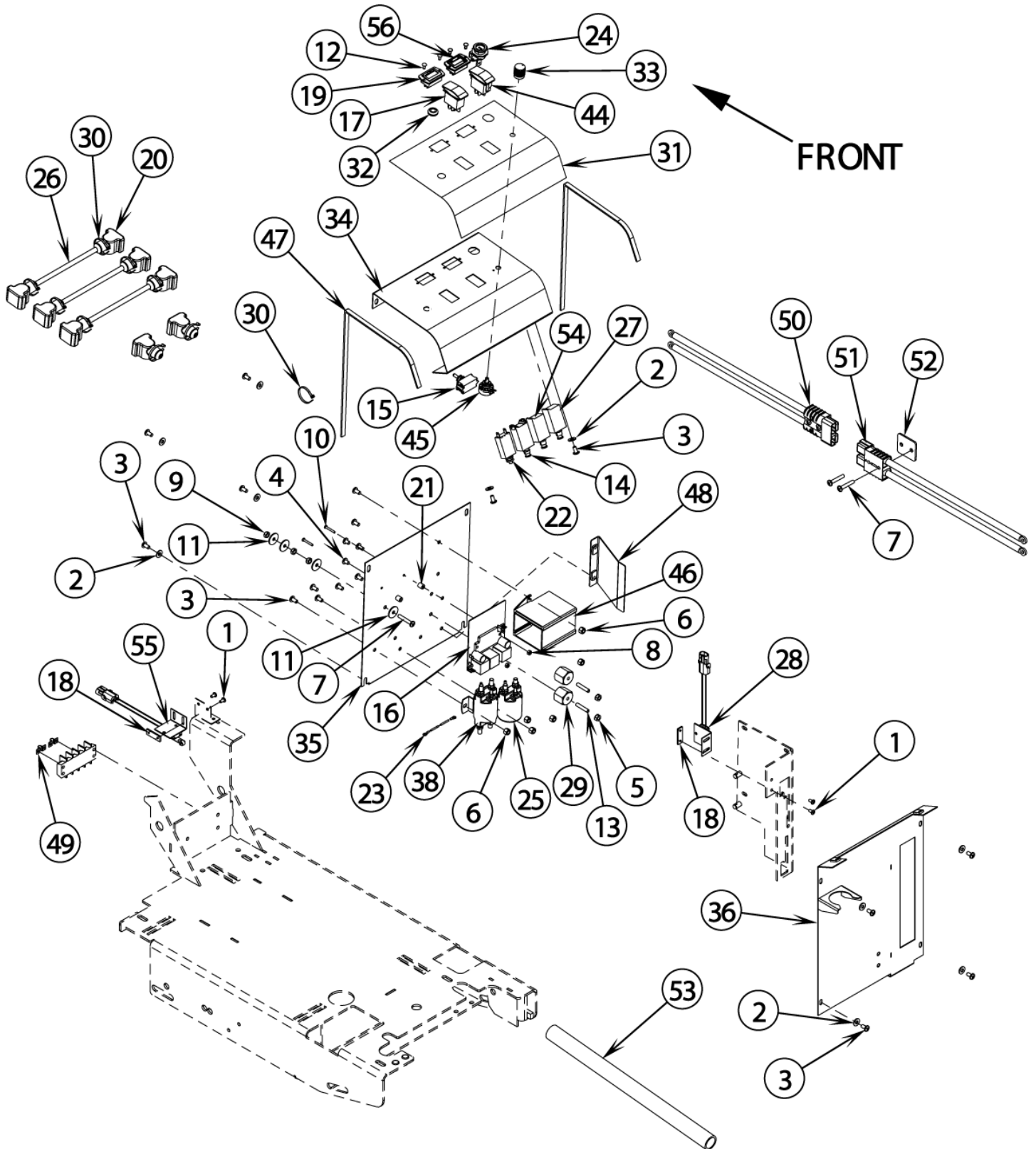
ELCTRICAL SYSTEM

BA 550/650 (after 2002-05)

16-02-2015

ET-Liste-Nr. E12617

9



ELCTRICAL SYSTEM

BA 550/650 (after 2002-05)

16-02-2015

ET-Liste-Nr. E12617

10

Pos	Artikelnr.	Me	Beschreibung	
0	56057920	1	SPACER ANGLE POLY	For use with two 12V Batteries - Not shown
0	56206079	4	BATTERY 6V 242AH WET	Not included, optional
0	56372947	1	CHARGER 24V AUTO 20A	Not included, optional
0	56397453	1	INDICATOR BATTERY LEVEL	Not included, optional
0	56398090	8	Anschlussklemme	Not shown
1	56002043	4	Schraube 10-24 x 38	
2	56002098	10	Scheibe	
3	56002145	18	Schraube 1/4 20x .50	
4	56002462	2	SCR PAN PHIL 1/4-20X0.38	
5	56002708	2	Stopmutter 1/4-20	
6	56002708	6	Stopmutter 1/4-20	
7	56002786	3	Schraube 1/4-20 X 1.5 0	
8	56002830	2	NUT HEX NYL LOC 6-32	
9	56002840	3	Nut 1/4 20	
10	56002858	2	SCR PAN PHIL 6-32 X 1.00	Machine outphased 2004
11	56009060	4	WSH FLT SS .260X1.000X.074	
12	56009192	4	RIVET PUSH NYLON BLACK	
13	56009203	2	STUD, 1/4-20X1.31	
14	56263260	1	Schütz 60A	26" models Brush Motor / F2
14	56452193	1	Schütz	20" models Brush Motor / F2
15	56301636	1	Schalter	Main power / S1
16	56324023	1	Fahrkontrolle	A1
17	56324272	1	Kippschalter	Solution / S2
18	56324310	2	NUT PLATE	
19	56372089	1	Batterieanzeige 24V	P1
20	56372673	8	BOOT, BATTERY POST	
21	56377721	2	Abstandbuchse	
22	56387316	1	Schütz 10A	Auxiliary / F1
23	56389265	1	Diode	D1
24	56393325	1	Zündschloss	
24	56393415	1	Zündschlüssel Ersatz	Not shown
25	56412179	1	CONTACTOR 24 VDC	Vacuum Motor / K2
26	56416445	3	Verbindungskabel f.	Battery Interconnect
27	56454423	1	Sicherungsautomat 30A	Vacuum Motor / F4
28	56462362	1	Schalter	Vacuum Switch / S4
29	56469858	2	INSULATED STANDOFF	
30	56478246	14	CABLE TIE E00549 RE438BA	
31	56016652	1	DECAL INSTRUMENT PANEL	
31	56016663	1	DECAL INSTRUMENT PANEL	
32	56056190	1	GROMMET E00059	
33	56056596	1	Drehgriff zu Pot. meter	
34	56397025	1	PANEL INSTRUMENT	
35	56397027	1	PANEL FRONT	

NOTE 1: BA 550 before SN1645714 / BA 650 before SN1645725

NOTE 2: BA 550 after SN1645713 / BA 650 after SN1645724

ELCTRICAL SYSTEM

BA 550/650 (after 2002-05)

16-02-2015

ET-Liste-Nr. E12617

11

Pos	Artikelnr.	Me	Beschreibung	
36	56397038	1	PANEL BACK WELDMENT	
37	56397087	1	HARNESS	Not shown - TSBUS2003-838 / NOTE 1
37	56397288	1	HARNESS WIRING	Not shown - TSBUS2003-838 / NOTE 2
38	56397088	1	Relais Bürstenmotor 24Vzu BA 550/650	Brush motor / K1
39	56397114	1	CABLE ASSY 6AWG	Black, 65" Wire no. 8 - Not shown
40	56397115	1	CABLE ASSY 6AWG	Red, 69" Wire no. 16 - Not shown
41	56397116	1	CABLE ASSY 6AWG	Red, 7" Wire no. 12 - Not shown
42	56397117	1	CABLE ASSY 6AWG	Red, 16" Wire no. 14 - Not shown
43	56397118	1	CABLE ASSY 6AWG	Red, 14" Wire no. 10 - Not shown
44	56397122	1	Schalter Bürstenauswurf BA 650	Brush remove / S3
45	56397123	1	Potentiometer 25 K	Speed limit / R1
46	56397124	1	Elektronikkarte TimerModul zu BA 550	A2
47	56397149	2	GASKET	
48	56397164	1	GUARD	
49	56397184	2	PLATE JUMPER	26" models only
50	56100621	1	Steckergehäuse 24V -rot-	Not shown
50	56100685	2	Kontakt 4AWG	Not shown
50	56397187	1	CONNECTOR ASSEMBLY	Connected to batteries
51	56100621	1	Steckergehäuse 24V -rot-	Not shown
51	56100685	2	Kontakt 4AWG	Not shown
51	56397188	1	Ladestecker	Connected to machine
52	56397189	1	Distanzstück	
53	56397190	1	CONDUIT	
54	56454423	1	Sicherungsautomat 30A	Wheel Drive / F3
55	56462362	1	Schalter	Brush Switch / S6
56	56393718	1	STUNDENZAehler	

NOTE 1: BA 550 before SN1645714 / BA 650 before SN1645725

NOTE 2: BA 550 after SN1645713 / BA 650 after SN1645724

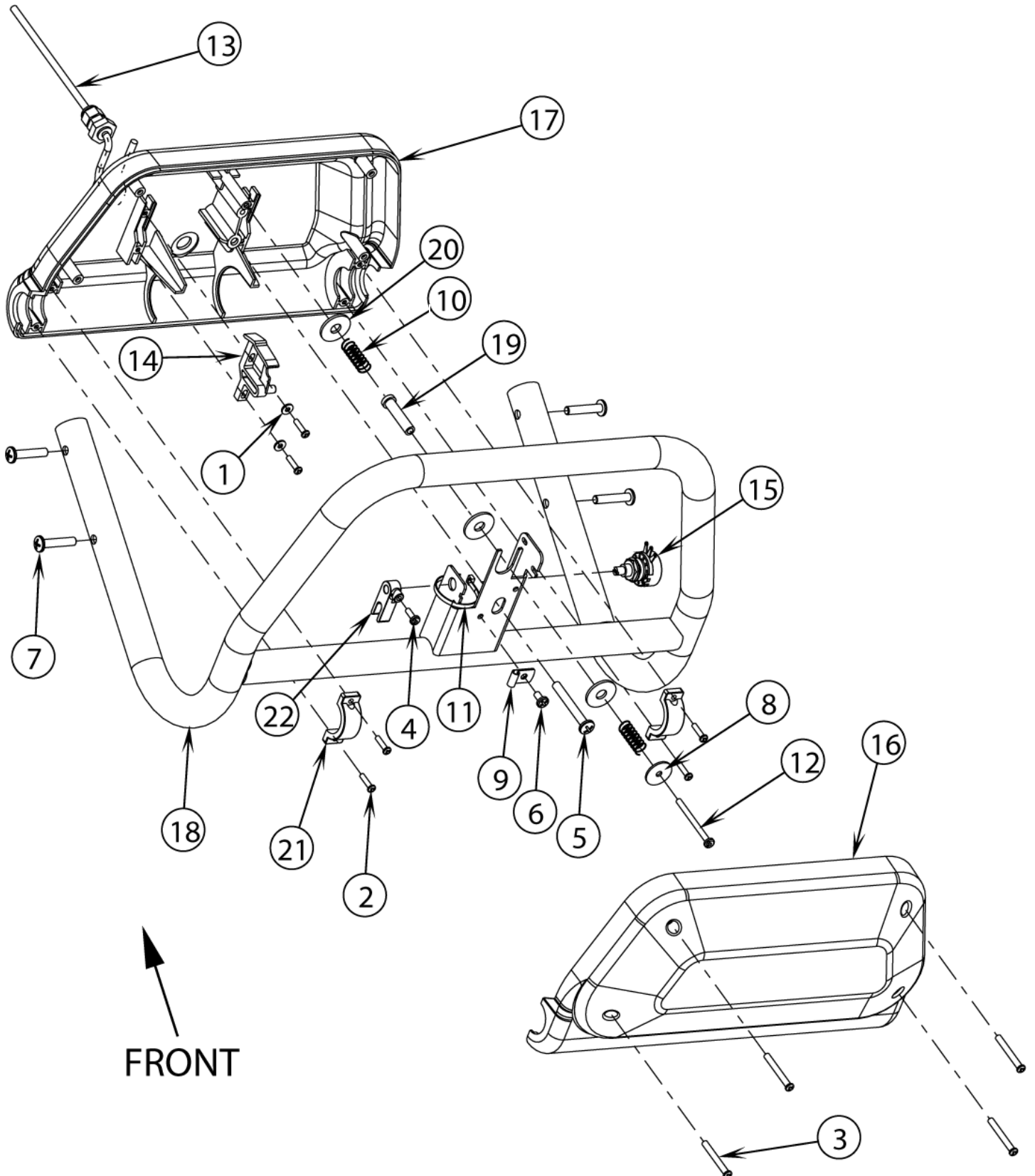
HANDGRIFF SYSTEM

BA 550/650 (after 2002-05)

16-02-2015

ET-Liste-Nr. E12619

12



HANDGRIFF SYSTEM

BA 550/650 (after 2002-05)

16-02-2015

ET-Liste-Nr. E12619

13

Pos	Artikelnr.	Me	Beschreibung
1	56002006	2	WSH FLT SAE 6
2	56003197	6	Schraube
3	56003199	4	Schraube PAN PHIL
4	56003354	1	Schraube M 3.9 x120
5	56003527	1	SCR PAN PHIL PLAS 1/4 10X2.0
6	56009030	1	Schraube 10-2
7	56009090	4	SCR PAN PHIL LOC 1/4 20X1.25
8	56009096	1	Scheibe zu BR 1000
9	56220507	1	Klammer
10	L08812343	2	Feder Fahrtrieb BA 610
11	56478246	1	CABLE TIE E00549 RE438BA
12	56009287	1	Schraube B8 X
13	56396233	1	Kabel TSBUS2003-838 - NOTE 1
13	56396299	1	Kabelbaum TSBUS2003-838 - NOTE 2
14	56397015	1	Nockensteuerung BA550/650
15	56397029	1	Potentiometer 5K R2
16	56397030	1	Deckel
17	56397031	1	Fahrschaltergehäuse BA650
18	56397034	1	WELDMENT HANDLE
19	56397109	1	Hülse BA 650
20	56397170	3	Scheibe plastik
21	56397171	2	Klammer
22	56109648	1	Potentiometergabel

NOTE 1: BA 550 before SN1645714 / BA 650 before SN1645725

NOTE 2: BA 550 after SN1645713 / BA 650 after SN1645724

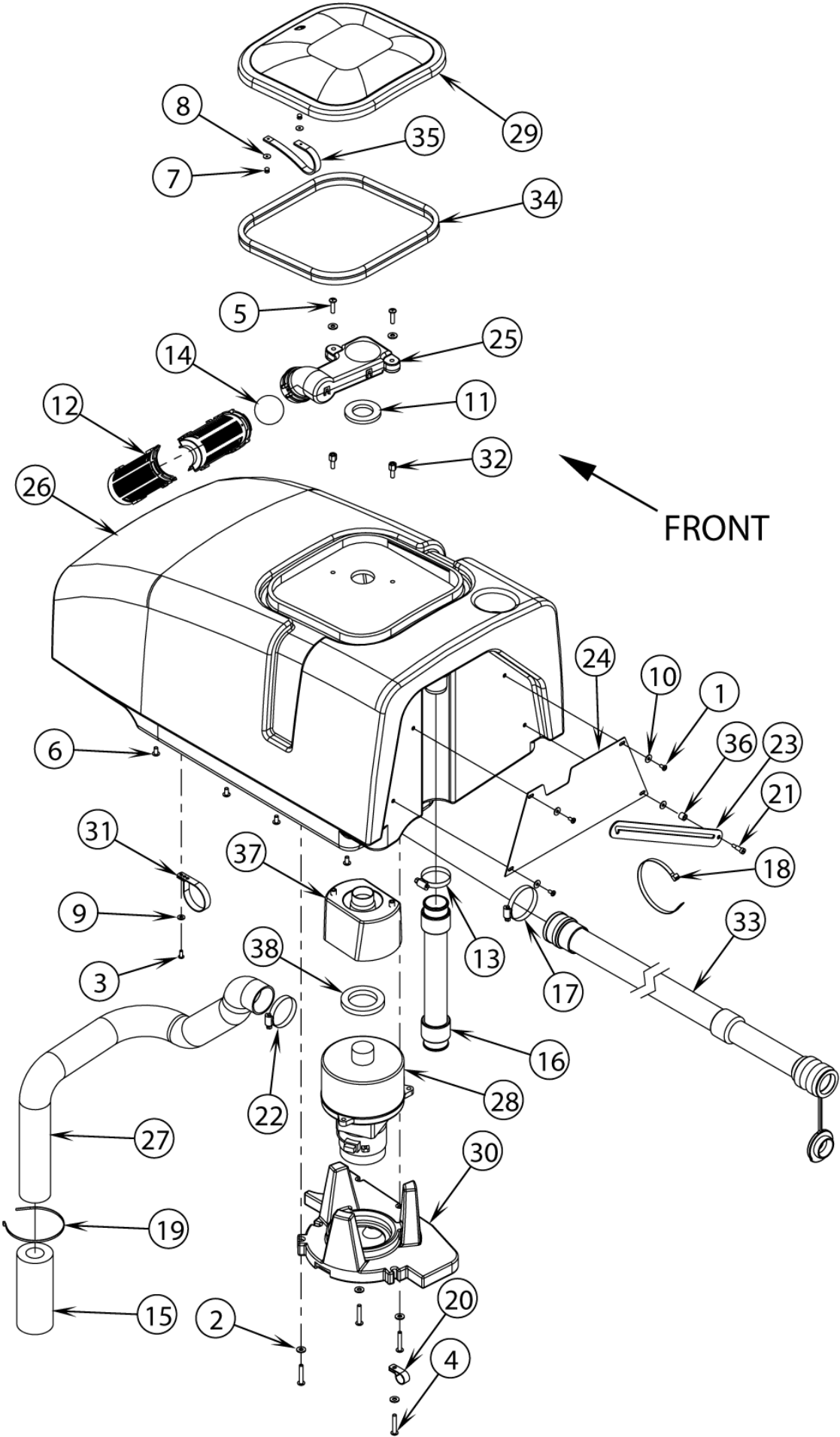
SCHMUTZWASSERSYSTEM

BA 550/650 (after 2002-05)

16-02-2015

ET-Liste-Nr. E126111

14



SCHMUTZWASSERSYSTEM

BA 550/650 (after 2002-05)

16-02-2015

ET-Liste-Nr. E126111

15

Pos	Artikelnr.	Me	Beschreibung
0	56397098	1	Kohlebürste (Set)
1	56002043	3	Schraube 10-24 x 38
2	56002859	6	Mutter SS 1/4
3	56002900	1	Schraube PAN PHIL 10-25x.
4	56002905	4	Schraube 1/4-20x1.50AX 310
5	56003067	2	SCR. PAN PHIL. SS 1/4-20-1.00
6	56003119	4	SCR PAN PHIL SS 1/4 20 X .50.
7	56003293	2	NIETE
8	56009098	2	U-Scheibe FLT SS.125x.500
9	56009205	1	U-Scheibe
10	56009267	4	WSH FLT .202 X .562 X .040
11	56302165	1	Dichtung BA 650
12	56324497	2	Schwimmgitter zu BA 700
13	56329145	1	BRIEDE
14	56391690	1	Schwimmerball
15	56391807	1	SCHLAUCH
16	56392170	1	Saugschlauch 38x1450BA 650
17	56440213	1	Schlauchbride
18	56477613	1	Kabelbändli 7x380mm
19	56478523	1	Kabelbinder
20	56486112	1	Kabelklammer
21	56003624	1	SCR SOC SHD .250 X .50 10 24
22	56049999	1	Schlauchschelle
23	56057508	1	Stahlholm f. BA550/650/
24	56057860	1	PANEL STEEL
25	56302142	1	Schwimmerdeckel BA 430
26	56397150	1	TANK RECOVERY
27	56397040	1	Ausblasschlauch
28	56397041	1	Saugmotor kompl. 24V
29	56397045	1	Schmutzwasserdeckel
30	56397046	1	VAC MOTOR DUCT
31	56397095	1	CLAMP HOSE
32	56397096	2	SPACER BOLT
33	56397142	1	Ablaufschlauch zu BA 550/650
34	56397151	1	Dichtung Tankdeckel zu BA 550/650
35	56397167	1	Gummiband zu BA 550/650
36	56397225	1	SPACER PHENOLIC
37	56397303	1	SPACER VAC MOTOR
38	56397307	1	Dichtung

SCRUB DECK SYSTEM-20" (before SN17598)

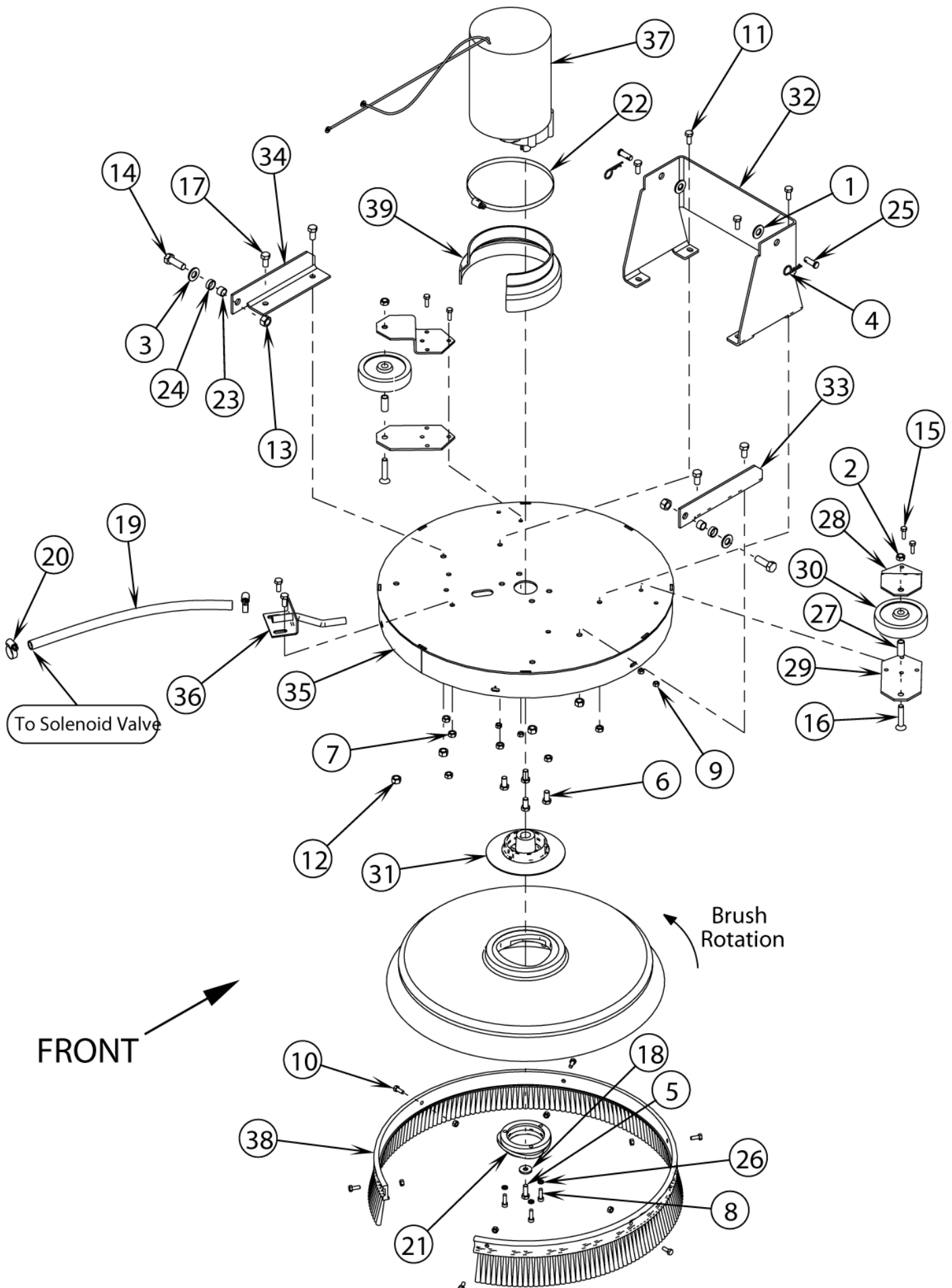
BA 550/650 (after 2002-05)

16-02-2015

ET-Liste-Nr.

E126113

16



SCRUB DECK SYSTEM-20" (before SN175983

BA 550/650 (after 2002-05)

16-02-2015

ET-Liste-Nr. E126113

17

Pos	Artikelnr.	Me	Beschreibung	
0	56396248	1	KIT RUBBER SPLASH GUARD	Not included, optional
0	9099671000	1	Padhalter 21" 530mm	Not included, optional
0	L08837018	1	PAD HOLDER 530MM	
0	L08837025	1	BRUSH PROLENE 530MM	Not included, optional
0	L08837026	1	BRUSH PROLITE 530MM	Not included, optional
0	L08837027	1	BRUSH UNION MIX 530MM	Not included, optional
0	L08837028	1	BRUSH, MIDLITE 180 GRIT	Not included, optional
0	L08837029	1	BRUSH,MIDGRIT MEDIUM	Not included, optional
0	L08837065	1	BRUSH MAGNA GRIT 46 530MM	Not included, optional
0	L08837067	1	BRUSH ASLIDEE GRIT 500	Not included, optional
1	56001879	2	U-SCHEIBEN	
2	56002769	2	Stopmutter 3/8-16	
3	56002918	2	Unterlegscheibe	
4	56002959	2	Splint zu BA 500	
5	56003335	1	Schraube HEX	
6	56003338	4	Schraube HEX LOC SS3/8	
7	56003405	6	Stopmutter M8 Inox	
8	56003424	3	Schraube SOC SS M6	
9	56003426	10	Stopmutter M6 Inox	
10	56003431	6	Schraube M6 x 16	
11	56003435	6	Schraube M8-1,25 x 2	
12	56003438	4	NUT HEX NYL LOC SS M10 1.50	
13	56003450	2	Mutter	
14	56003453	2	Schraube	
15	56003454	4	Schraube HEX ZHD TO HD	
16	56003524	2	Schraube FLT SOC 3/8-16x2	
17	56003533	4	SCR HEX SS M10 1.50X20MM	
18	56009122	1	Unterlegscheibe	
19	56459064	1	Schlauch	
20	56219932	2	Briede	
21	L08812480	1	HUB,BRUSH	
22	56355488	1	Schelle	
23	56360627	2	Büchse	
24	56478781	2	LAGER	
25	56003523	2	PIN CLEVIS .500 X 1.00	
26	56003547	3	Unterlegscheibe	
27	56054018	2	Hülse zu AX 650	
28	56057850	2	Stahlplatte	
29	56057873	2	PLATE STEEL	
30	56111639	2	Rad 4.00 DIA.	
31	56397037	1	Mitnehmerscheibe	
32	56397070	1	BRACKET U BRUSH HEAD 20IN.	
33	56397072	1	BRACKET BRUSH HEAD RIGHT	

SCRUB DECK SYSTEM-20" (before SN175983

BA 550/650 (after 2002-05)

16-02-2015

ET-Liste-Nr.

E126113

18

Pos	Artikelnr.	Me	Beschreibung	
34	56397073	1	BRACKET BRUSH HEAD LEFT	
35	56397076	1	WELDMENT BRUSH HEAD COVER	
36	56397078	1	WELDMENT FORMED TUBE	
37	56397079	1	Bürsten-Motor (BA550)	M3
37	56397090	1	BEARING B.E.	Replacement Parts for 56397079
37	56397135	1	BEARING F.E.	Replacement Parts for 56397079
37	56397138	4	Kohlefeder Tellerbürstmot	Replacement Parts for 56397079
37	56397139	4	Kohlebürsten Tellerbürst-enmotor BA 755/	Replacement Parts for 56397079
38	56397111	1	Bürstenkranz BA 550/650	
39	56397112	1	Motorschutz	

SCRUB DECK SYSTEM-20" (after SN175983)

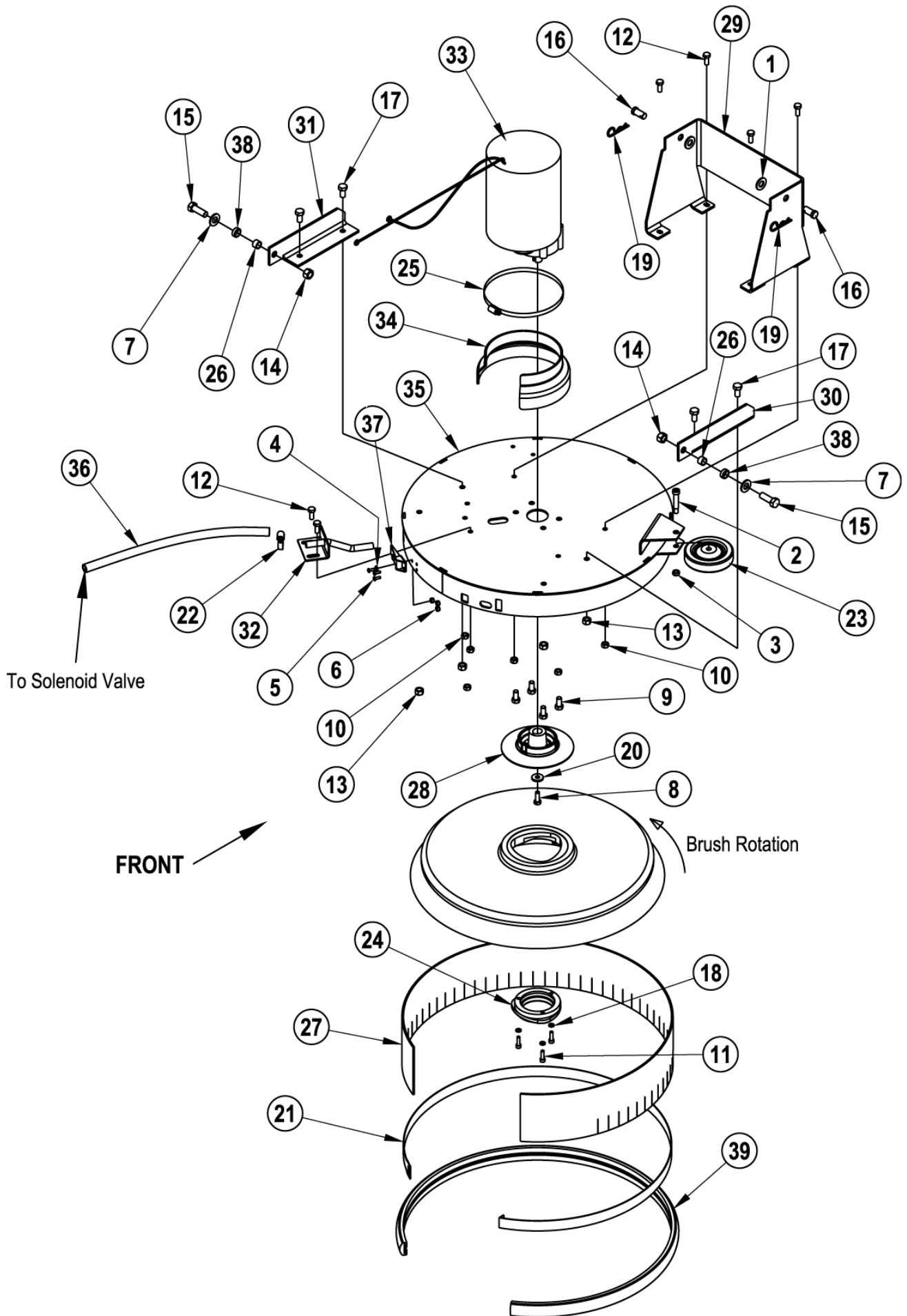
BA 550/650 (after 2002-05)

16-02-2015

ET-Liste-Nr.

E126115

19



SCRUB DECK SYSTEM-20" (after SN1759838

BA 550/650 (after 2002-05)

16-02-2015

ET-Liste-Nr. E126115

20

Pos	Artikelnr.	Me	Beschreibung	
0	56396248	1	KIT RUBBER SPLASH GUARD	Includes Pos. 21, 27, 39 - Not included, optional
0	9099671000	1	Padhalter 21" 530mm	Not included, optional
0	L08837018	1	PAD HOLDER 530MM	
0	L08837025	1	BRUSH PROLENE 530MM	Not included, optional
0	L08837026	1	BRUSH PROLITE 530MM	Not included, optional
0	L08837027	1	BRUSH UNION MIX 530MM	Not included, optional
0	L08837028	1	BRUSH, MIDLITE 180 GRIT	Not included, optional
0	L08837029	1	BRUSH,MIDGRIT MEDIUM	Not included, optional
0	L08837065	1	BRUSH MAGNA GRIT 46 530MM	Not included, optional
0	L08837067	1	BRUSH ASLIDEE GRIT 500	Not included, optional
1	56001879	2	U-SCHEIBEN	
2	56002625	1	Schraube	
3	56002826	1	NUT HEX NYLOC THIN 5/16-1	
4	56002875	1	U-Scheibe FLT SAE SS/8	
5	56002876	3	Schraube PAN PHIL SS	
6	56002877	3	NUT HEX NYL LOC SS 8-32	
7	56002918	2	Unterlegscheibe	
8	56003335	1	Schraube HEX	
9	56003338	4	Schraube HEX LOC SS3/8	
10	56003405	6	Stopmutter M8 Inox	
11	56003424	3	Schraube SOC SS M6	
12	56003435	6	Schraube M8-1,25 x 2	
13	56003438	4	NUT HEX NYL LOC SS M10 1.50	
14	56003450	2	Mutter	
15	56003453	2	Schraube	
16	56003523	2	PIN CLEVIS .500 X 1.00	
17	56003533	4	SCR HEX SS M10 1.50X20MM	
18	56003547	3	Unterlegscheibe	
19	56003222	2	"Splint 0.125" x 0.5"	
20	56009122	1	Unterlegscheibe	
21	56035617	1	WELDMENT SPLASH GUARD CLAMP	
22	56219932	1	Briede	
23	56228102	1	WHEEL 4.00X.875 FC115	
24	L08812480	1	HUB,BRUSH	
25	56355488	1	Schelle	
26	56360627	2	Büchse	
27	56396247	1	GUARD SPLASH	
28	56397037	1	Mitnehmerscheibe	
29	56397070	1	BRACKET U BRUSH HEAD 20IN.	
30	56397072	1	BRACKET BRUSH HEAD RIGHT	
31	56397073	1	BRACKET BRUSH HEAD LEFT	
32	56397078	1	WELDMENT FORMED TUBE	
33	56397079	1	Bürsten-Motor (BA550)	M3

SCRUB DECK SYSTEM-20" (after SN1759838

BA 550/650 (after 2002-05)

16-02-2015

ET-Liste-Nr.

E126115

21

Pos	Artikelnr.	Me	Beschreibung	
33	56397090	1	BEARING B.E.	Replacement for 56397079
33	56397135	1	BEARING F.E.	Replacement for 56397079
33	56397138	4	Kohlefeder Tellerbürstmot	Replacement for 56397079
33	56397139	4	Kohlebürsten Tellerbürst-enmotor BA 755/	Replacement for 56397079
34	56397112	1	Motorschutz	
35	56397574	1	WELDMENT BRUSH COVER	
36	56459064	1	Schlauch	
37	56471194	1	Klemme	
38	56478781	2	LAGER	
39	56645144	1	EXTRUSION BUMPER	

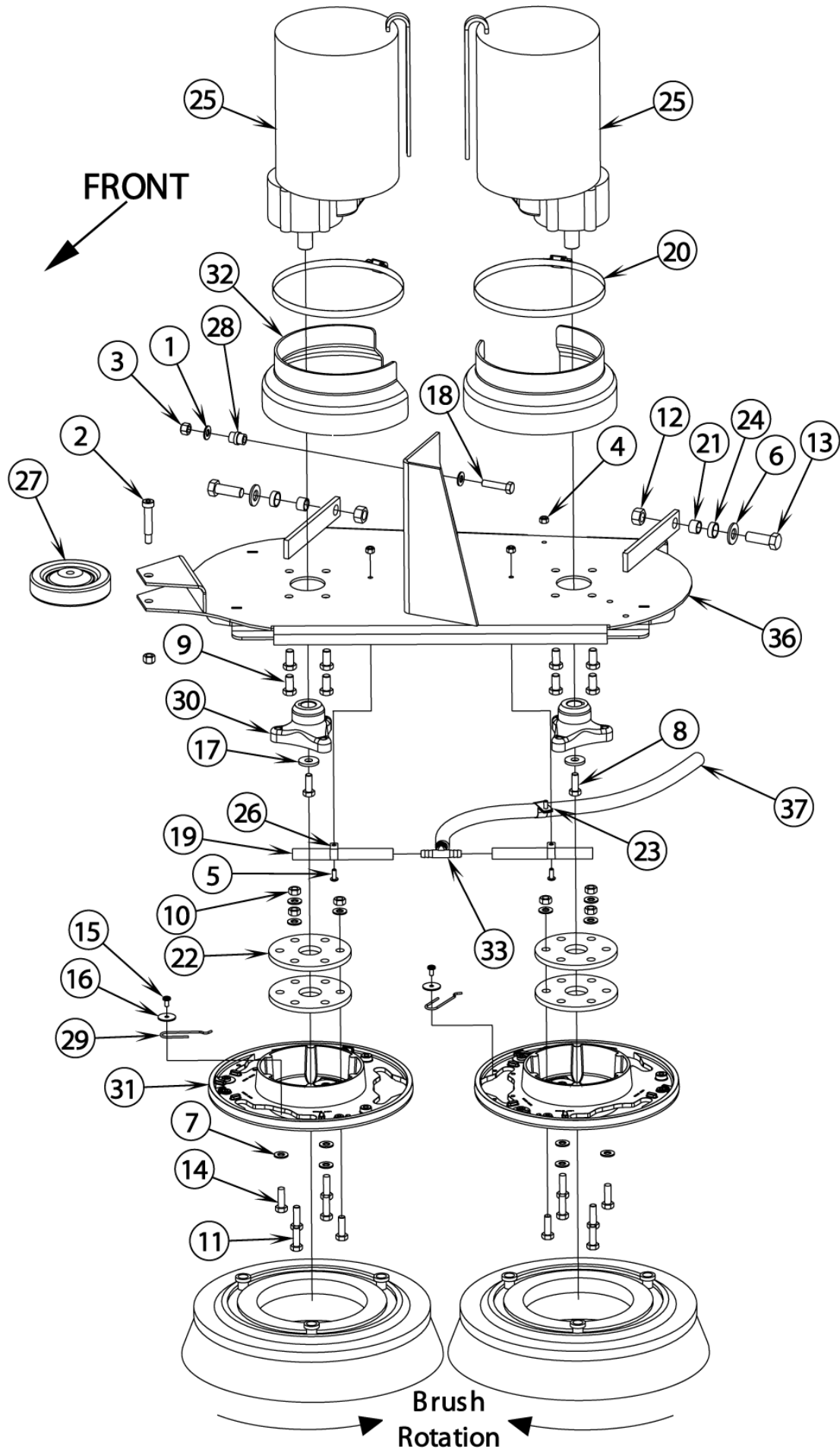
SCRUB DECK SYSTEM-26"

BA 550/650 (after 2002-05)

16-02-2015

ET-Liste-Nr. E126117

22



SCRUB DECK SYSTEM-26"

BA 550/650 (after 2002-05)

16-02-2015

ET-Liste-Nr. E126117

23

Pos	Artikelnr.	Me	Beschreibung	
0	56505760	2	Padhalter 330mm	Not included, optional
0	56505761	2	Bürste Sica hartzu CR 1300	Not included, optional
0	56505762	2	Bürste sica mittelzu CR 1300	Not included, optional
0	56505763	2	Bürste Aglite Grit	Not included, optional
0	56505764	2	Bürste PPN hart zu BR5000und CR 1300	Not included, optional
0	56505765	2	Bürste PPN weich	Not included, optional
0	56505766	2	Bürste, Union Mix	Not included, optional
0	56505767	2	Bürste Sica weich 330	Not included, optional
0	56505768	2	Bürste Midlite 330mm	Not included, optional
1	56001939	2	Flachdichtung 5/16	
2	56002625	1	Schraube	
3	56002701	2	MUTTER 5-16-18 HEX JAM	
4	56002836	3	NUT HEX NY LOC SS 10-24	
5	56002900	3	Schraube PAN PHIL 10-25x.	
6	56002918	2	Unterlegscheibe	
7	56002938	12	WSH FLT SAE SS 5/16	
8	56003335	2	Schraube HEX	
9	56003338	8	Schraube HEX LOC SS3/8	
10	56003405	6	Stopmutter M8 Inox	
11	56003436	6	Schraube Hex HDss M8-1.25	
12	56003450	2	Mutter	
13	56003453	2	Schraube	
14	56003477	6	Schraube M 8-1.25x25	
15	56009030	2	Schraube 10-2	
16	56009096	2	Scheibe zu BR 1000	
17	56009107	2	U-Scheibe FLT SS.378	
18	56009256	1	Schraube HEX HD 5/16-18x1	
19	56257534	2	Schlauch	
20	56355488	2	Schelle	
21	56360627	2	Büchse	
22	56383238	4	BRUSH DRIVE DISC	
23	56442003	1	Kabelklammer	
24	56478781	2	LAGER	
25	56027153	2	Bürstenmotor BA 850ST	M3 / M4
25	56397048	1	Bürstengehäuse	Spring / Bushes - Replacement for 56027153
25	56397090	1	BEARING B.E.	Replacement for 56027153
25	56397135	1	BEARING F.E.	Replacement for 56027153
25	56397138	4	Kohlefeder Tellerbürstmot	Replacement for 56027153
25	56397139	4	Kohlebürsten Tellerbürst-enmotor BA 755/	Replacement for 56027153
26	56056903	2	CLAMP LOOP E00129	
27	56228102	1	WHEEL 4.00X.875 FC115	
28	56397024	1	BUSHING	
29	56397081	2	Federhalter BA 650	

SCRUB DECK SYSTEM-26"

BA 550/650 (after 2002-05)

16-02-2015

ET-Liste-Nr. E126117

24

Pos	Artikelnr.	Me	Beschreibung
30	56314108	2	Bürstenflansch BR 1300/S
31	56314030	2	Bürstenhalter BA 650
32	56397112	2	Motorschutz
33	56397300	1	T-Stück
34	56397560	1	LEFT BRUSH COVER ASSY. Following pages
35	56397561	1	RIGHT BRUSH COVER ASSY. Following pages
36	56397571	1	WELDMENT 26 SCRUB DECK
37	56397599	1	HOSE E00199

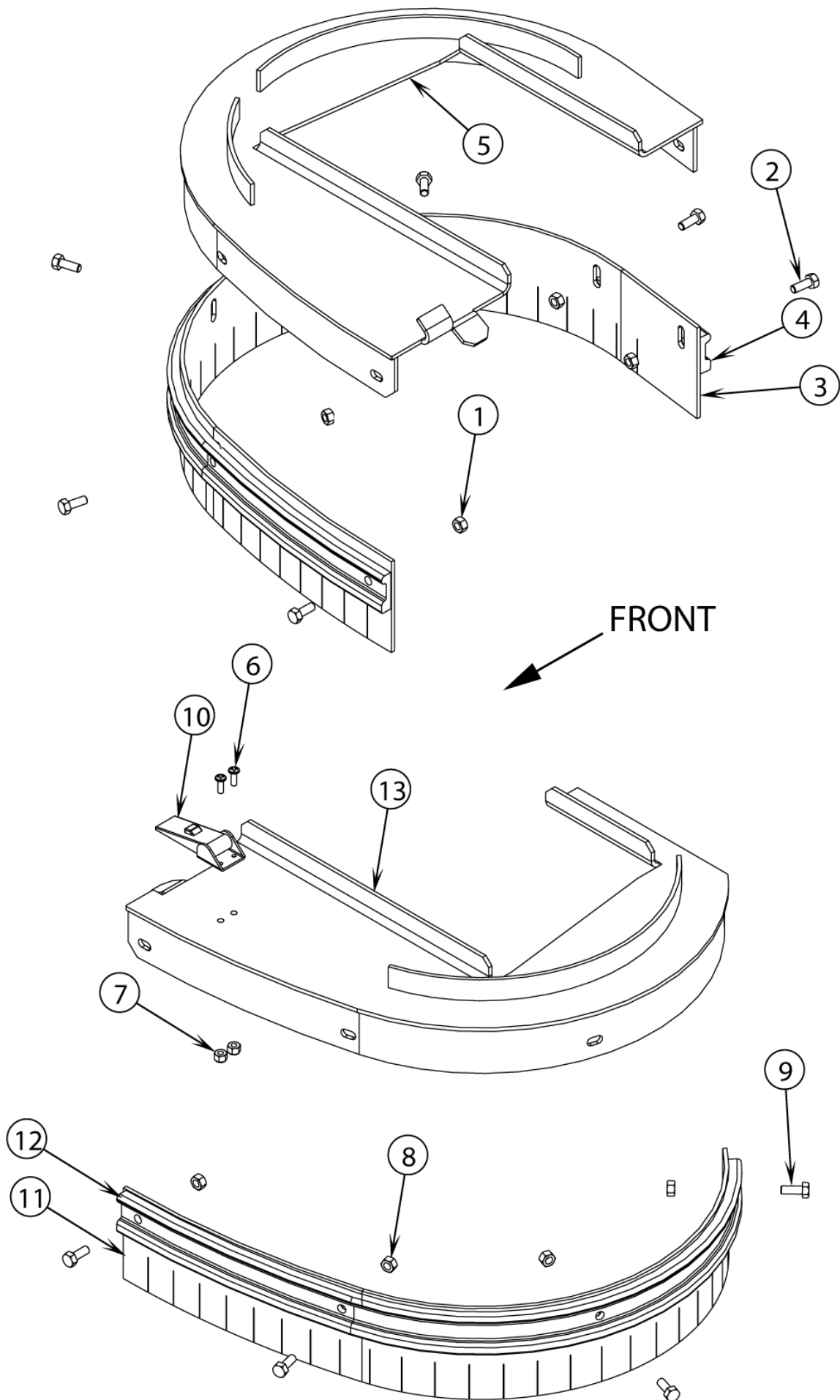
SKIRT ASSEMBLIES-26"

BA 550/650 (after 2002-05)

16-02-2015

ET-Liste-Nr. E126119

25



SKIRT ASSEMBLIES-26"

BA 550/650 (after 2002-05)

16-02-2015

ET-Liste-Nr. E126119

26

Pos	Artikelnr.	Me	Beschreibung	
0	56397066	1	BLADE KIT-DISC FABRIC 26	Includes pod. 1,2,3,4,8,9,11,12 - Not included, op
0	56397560	1	LEFT BRUSH COVER ASSY.	Pos. 6-13
0	56397561	1	RIGHT BRUSH COVER ASSY.	Pos. 1-5
1	56003426	6	Stopfmutter M6 Inox	
2	56003431	6	Schraube M6 x 16	
3	56397000	1	BLADE DECK NEOPRENE RT	
3	56397346	1	Spritzschutz re BA 650	Not included, optional
4	56397004	1	Stosskante, rechts	
5	56397563	1	RIGHT BRUSH COVER WELDMENT	
6	56002876	2	Schraube PAN PHIL SS	
7	56002877	2	NUT HEX NYL LOC SS 8-32	
8	56003426	4	Stopfmutter M6 Inox	
9	56003431	4	Schraube M6 x 16	
10	56471194	1	Klemme	
11	56397002	1	Spritzgummi li BA 650	
11	56397347	1	SKIRT LEFT BRISTLE	Not included, optional
12	56397006	1	Stosskante, links	
13	56397562	1	LEFT BRUSH COVER WELDMENT	

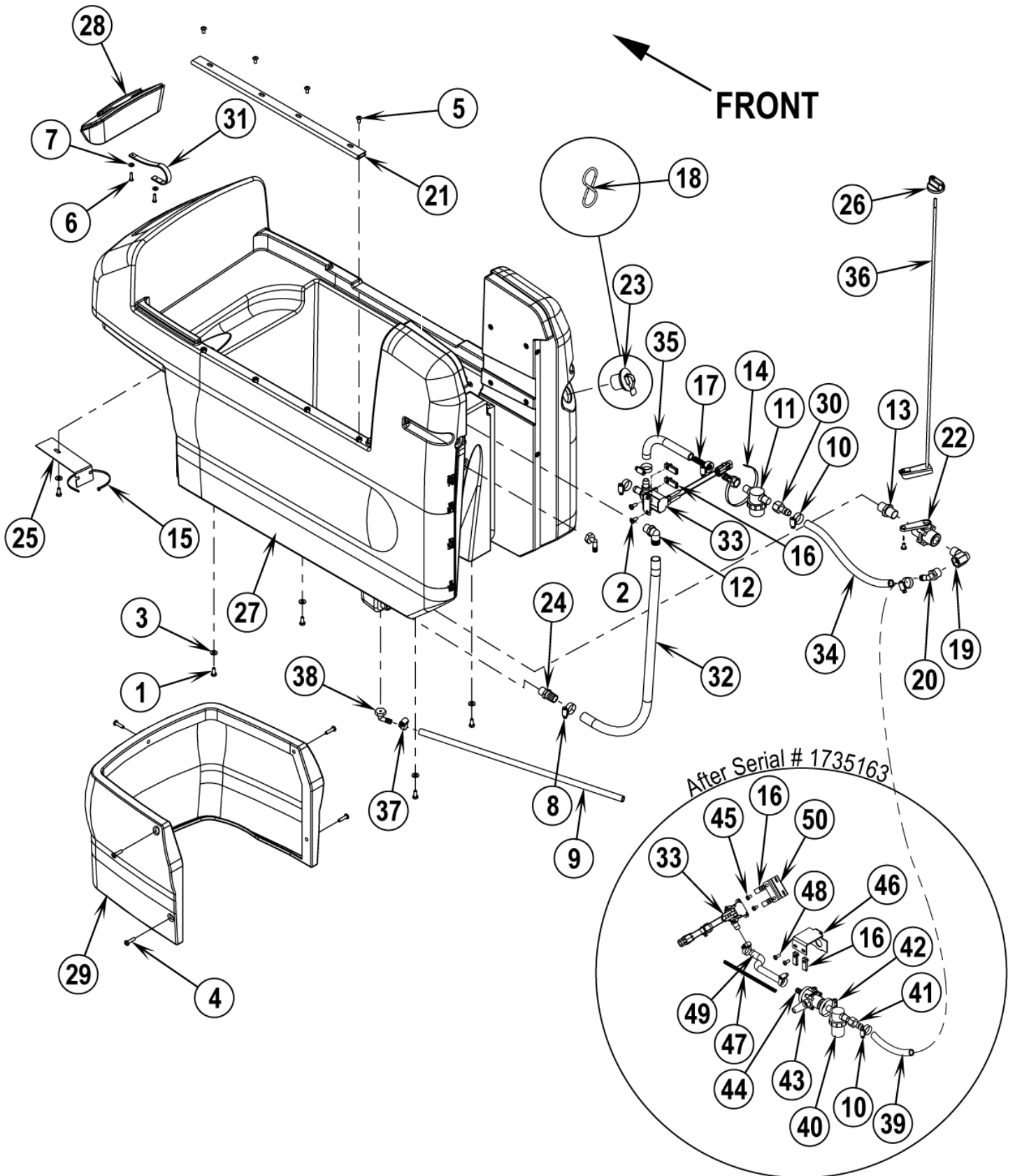
FRISCHWASSERSYSTEM

BA 550/650 (after 2002-05)

16-02-2015

ET-Liste-Nr. E126121

27



FRISCHWASSERSYSTEM

BA 550/650 (after 2002-05)

16-02-2015

ET-Liste-Nr. E126121

28

Pos	Artikelnr.	Me	Beschreibung	
1	56001836	5	Schraube 1/4-20x0.62	
2	56002066	2	Schraube	
3	56002098	7	Scheibe	
4	56002292	5	Schraube 1/4 20x 1.00	
5	56003119	5	SCR PAN PHIL SS 1/4 20 X .50.	
6	56009005	2	Schraube 16x.75	
7	56009205	2	U-Scheibe	
8	56112771	1	CLAMP HOSE SAE 10	
9	56201036	1	Schlauch PVC	
10	56219932	5	Briede	
11	56260905	1	Wasserfilter	
12	56264442	1	Schlauchkupplung	
13	56412182	1	Nippel	
14	56477613	1	Kabelbändli 7x380mm	
15	56478523	1	Kabelbinder	
16	56009289	2	Schraube 1/4-2	Qty of 4 after serial no. 1735163
17	56048979	1	SPRING COMPRESSION E00453	
18	56051836	1	HOOK	
19	56055071	1	Winkelstück	
20	56409152	1	Winkel 90 o 1/2 NPT 1/2BR 1000	
21	56056291	1	HINGE BUTT 2.00 X 22.00	
22	56314899	1	Wasserhahn zu BA550/650	
23	56057852	1	Verschlußschraube	
24	56057868	1	Verschraubung	
25	56057904	1	BRACKET EXHAUST HOSE	
26	56396201	1	Drehknopf zu WasserventilBA Maschinen	
27	56397020	1	Frischwassertank	
28	56397021	1	Deckel	
29	56397022	1	Abdeckung, v orn	
30	56397145	2	Schlauchnippel	
31	56397167	1	Gummiband zu BA 550/650	
32	56397186	1	Schlauch 75x29	
33	56397203	1	Magnetventil 24 VBA 650	
34	56262663	1	HOSE PVC .500 X 9 E00199	
35	56397209	1	Schlauch, PVC 0,5x5,5	
36	56397320	1	WELDMENT SHAFT WATER VALVE	
37	56756364	1	Schlauchklemme	
38	56900033	2	Winkel FrischwasserBR 1000	
39	56397382	1	HOSE PVC .500 X 8 E00199	Only used after serial no. 1735163
42	56329145	2	BRIEDE	Only used after serial no. 1735163
43	56396505	1	VALVE LOW FLOW	Only used after serial no. 1735163
44	56412184	1	"Nippel 1/2""	Only used after serial no. 1735163
45	56002145	4	Schraube 1/4 20x .50	Only used after serial no. 1735163

FRISCHWASSERSYSTEM

BA 550/650 (after 2002-05)

16-02-2015

ET-Liste-Nr. E126121

29

Pos	Artikelnr.	Me	Beschreibung	
47	56373686	1	SPRING COM .42X8.00 E00453	Only used after serial no. 1735163
48	56003213	2	SCR PAN PHIL BLK 1/4 20 X .62	Only used after serail no. 1735163
49	56262663	1	HOSE PVC .500 X 9 E00199	Only used after serial no. 1735163

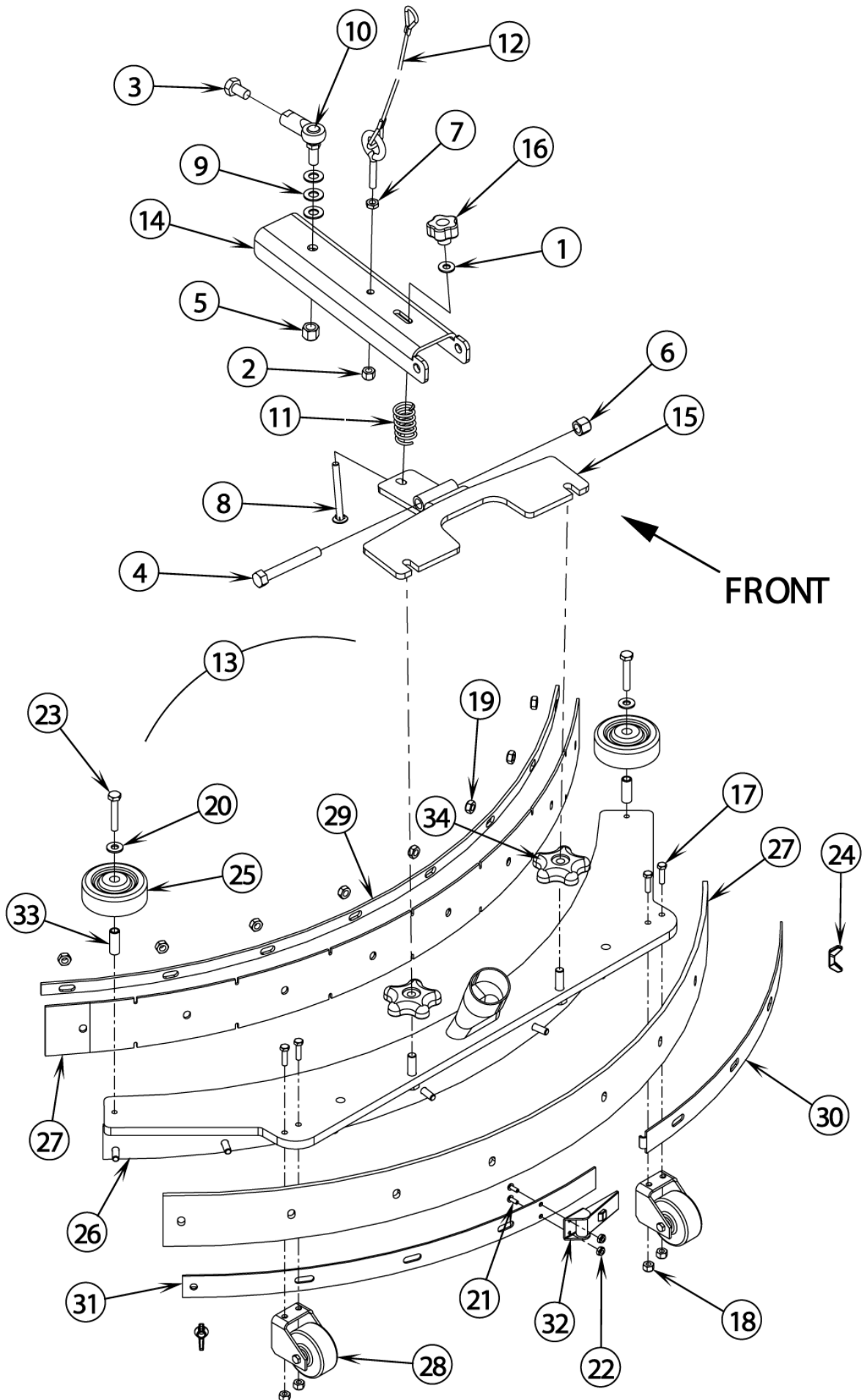
SQUEEGEE SYSTEM-20"

BA 550/650 (after 2002-05)

16-02-2015

ET-Liste-Nr. E126123

30



SQUEEGEE SYSTEM-20"

BA 550/650 (after 2002-05)

16-02-2015

ET-Liste-Nr. E126123

31

Pos	Artikelnr.	Me	Beschreibung	
1	56002098	2	Scheibe	
2	56002856	1	"Mutter Ny on LOC 5/16""	
3	56002597	1	Schraube 3/8-24 x 0,75	
4	56002903	1	Schraube HEX SS 3/8-16	
5	56009103	1	Stopmutter 3/8-24	
6	56003219	1	Mutter Zoll LOC SS 3/8 16	
7	56009141	1	Mutter HEX JAM SS 5/16-18	
8	56009276	1	Schraube	
9	56002063	3	"U-Scheibe 3/8""	TSBUS2003-840
10	56397386	1	Kugelgelenk Kit zu BA 650	TSBUS2003-840
11	56056519	1	Druckfeder	
12	56397559	1	Kabel Saugfuss BA 650	
13	56397100	1	Saugbalken komplett	Pos. 17-35
14	56397104	1	Schiene	
15	56397107	1	Halterung f. Absaugleiste	
16	56397108	1	Griffmutter	
17	56002835	4	SCR HEX HD SS 10-24 X .75	
18	56002836	4	NUT HEX NY LOC SS 10-24	
19	56002491	8	Stopmutter 1/4-20	
20	56002859	2	Mutter SS 1/4	
21	56002909	2	SCR PAN PHL SS6-32X38	
22	56002964	2	NUT HEX NYL LOC THINSS6-32	
23	56002901	2	SCHRAUBE 1/4-20X 1-1/2SS	
24	56009111	2	Flügelmutter 1/4-20	
25	56363855	2	Rad 2,50 x 8,12	
26	56397102	1	WELDMENT SQUEEGEE TOOL	
27	56393395	1	Sauggummisatz BA 600standard	Standard - NOTE 1
27	56393396	1	Sauggummi ölbeständig zu BA 600 (Satz)	Oil Resistant - Not included, optional - NOTE 1
27	56397329	1	Gummilippe 20	Gum - Not included, optional
28	56393755	2	Rad	
29	56393761	1	Sauglippenhalter vorne	
30	56393762	1	Sauglippenhalter hi re	
31	56393763	1	Sauglippenhalter hi li	
32	56471194	1	Klemme	
33	56471220	2	Distanzscheibe	
34	56396254	2	Knopf	

NOTE 1: All squeegee blade kits include both front and rear squeegee blades.

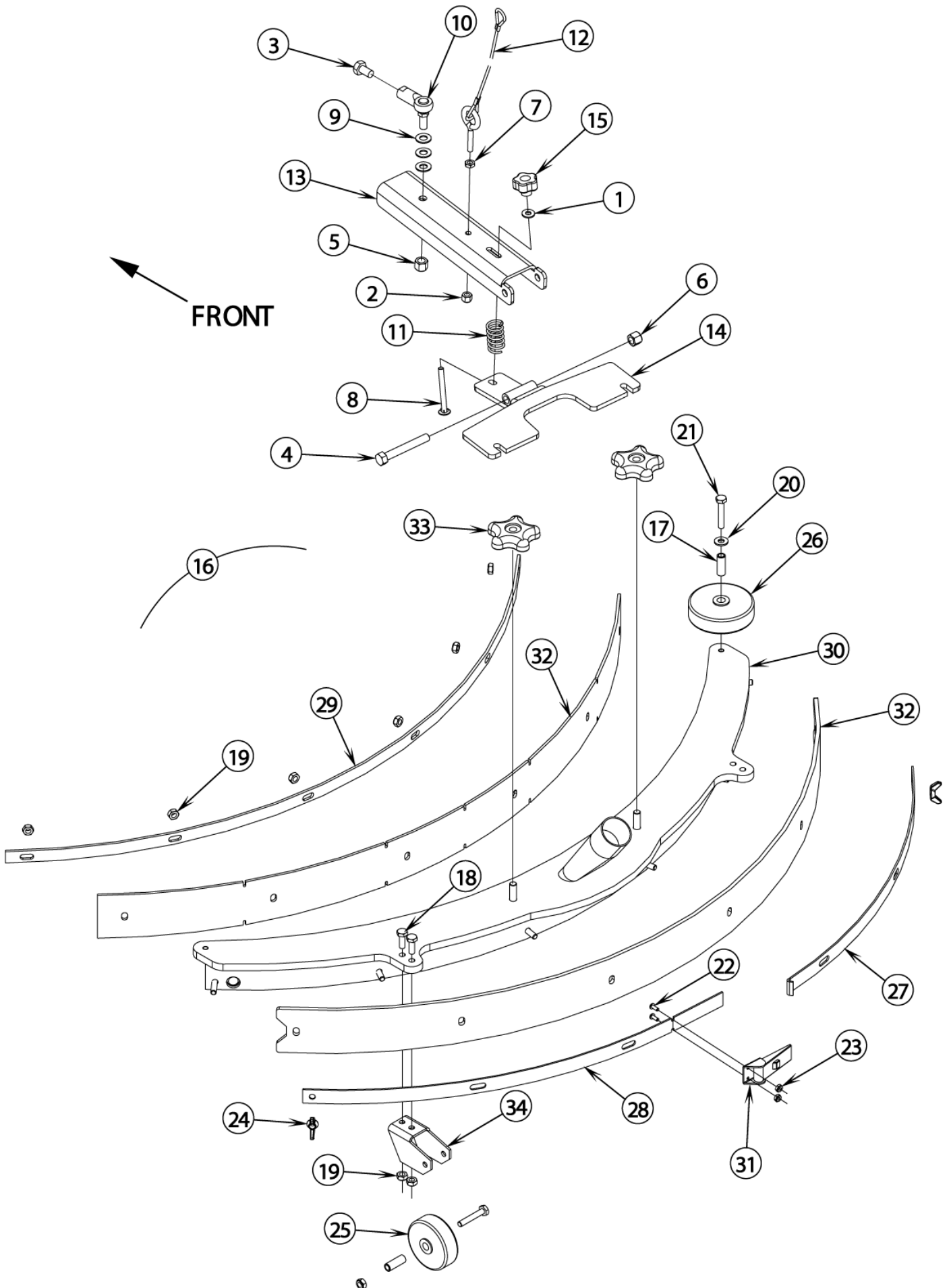
SQUEEGEE SYSTEM-26"

BA 550/650 (after 2002-05)

16-02-2015

ET-Liste-Nr. E126125

32



SQUEEGEE SYSTEM-26"

BA 550/650 (after 2002-05)

16-02-2015

ET-Liste-Nr. E126125

33

Pos	Artikelnr.	Me	Beschreibung	
1	56002098	2	Scheibe	
2	56002856	1	"Mutter Ny on LOC 5/16""	
3	56002597	1	Schraube 3/8-24 x 0,75	
4	56002903	1	Schraube HEX SS 3/8-16	
5	56009103	1	Stopmutter 3/8-24	
6	56003219	1	Mutter Zoll LOC SS 3/8 16	
7	56009141	1	Mutter HEX JAM SS 5/16-18	
8	56009276	1	Schraube	
9	56002063	3	"U-Scheibe 3/8""	
10	56397386	1	Kugelgelenk Kit zu BA 650	
11	56056519	1	Druckfeder	
12	56397559	1	Kabel Saugfuss BA 650	
13	56397104	1	Schiene	
14	56397107	1	Halterung f. Absaugleiste	
15	56397108	1	Griffmutter	
16	56397185	1	Saugfuss komplett BA 650v or 05.2002	
17	56471220	4	Distanzscheibe	
18	56002807	4	Schraube Zoll	
19	56002491	12	Stopmutter 1/4-20	
20	56002859	2	Mutter SS 1/4	
21	56002901	4	SCHRAUBE 1/4-20X 1-1/2SS	
22	56002909	2	SCR PAN PHL SS6-32X38	
23	56002964	2	NUT HEX NYL LOC THINSS6-32	
24	56009048	2	FLUEGELMUTTER 1/4-20Ersetzt durch: 56003	
25	56324350	2	Rad	
26	56324499	2	Rad 4,00 x 0,781	
27	56391286	1	Spritzgummihalterung ReBA 650	
28	56391288	1	Spritzgummihalterung liBA 650	
29	56391290	1	Leiste vorne BA 750 ST	
30	56396236	1	TOOL WELDMENT	
31	56471194	1	Klemme	
32	56391340	1	Sauggummi Standard(Satz)	Standard - NOTE 1
32	56391342	1	Sauggummisatz ölrestBA 700	Oil Resistant - NOTE 1 - Not included, optional
32	56397325	1	Gummilippe	Gum - Not included, optional
32	56397326	1	Gummileiste, vorne	Liantex - Not included, optional
33	56396254	2	Knopf	
34	56409656	2	Radgabel Saugfuss	
35	56471194	1	Klemme	

NOTE 1: All squeegee blade kits include both front and rear squeegee blades.

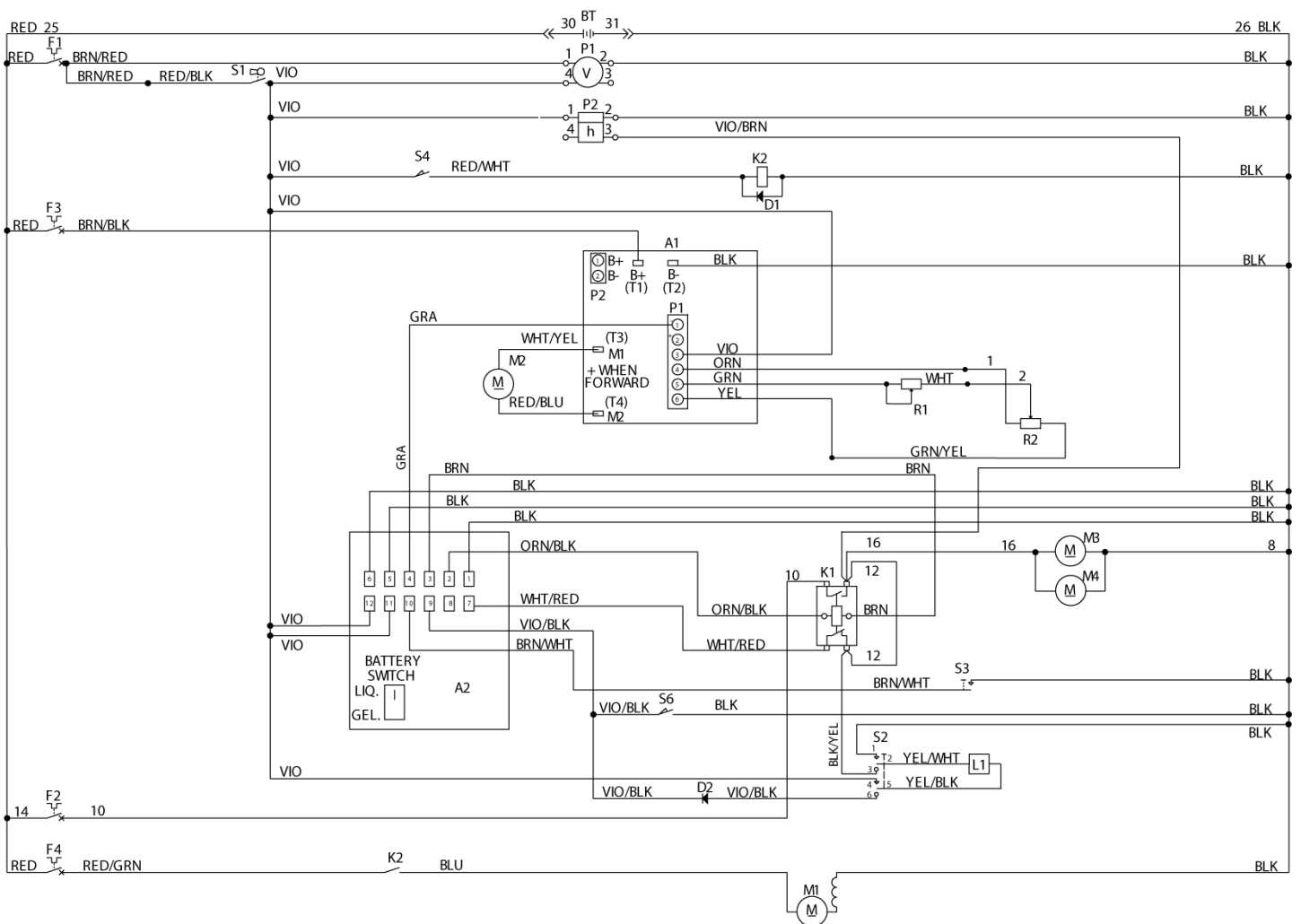
VERDRÄHTUNGSPLAN

BA 550/650 (after 2002-05)

16-02-2015

ET-Liste-Nr. E126127

34



VERDRAHTUNGSPLAN

BA 550/650 (after 2002-05)

16-02-2015

ET-Liste-Nr. E126127

35

Pos	Artikelnr.	Me	Beschreibung	
0	56057920	1	SPACER ANGLE POLY	For use with only 12V Batteries - Not shown
0	56206079	4	BATTERY 6V 242AH WET	Not included, optional
0	56372947	1	CHARGER 24V AUTO 20A	Not included, optional
0	56397087	1	HARNESS	Not shown
0	56397453	1	INDICATOR BATTERY LEVEL	Not included, optional
0	56398090	8	Anschlussklemme	Not shown
8	56397114	1	CABLE ASSY 6AWG	
10	56397118	1	CABLE ASSY 6AWG	
12	56397116	1	CABLE ASSY 6AWG	
14	56397117	1	CABLE ASSY 6AWG	
16	56397115	1	CABLE ASSY 6AWG	
A1	56324023	1	Fahrkontrolle	
A2	56397124	1	Elektronikkarte TimerModul zu BA 550	
BT		1	NOTE COMMENT	Battery - Not available
D1	56389265	1	Diode	
D2	56460084	1	DIODE	Main Wiring Harness
F1	56387316	1	Schütz 10A	Auxiliary
F2	56263260	1	Schütz 60A	26" models / Brush motor
F2	56452193	1	Schütz	20" models / Brush motor
F3	56454423	1	Sicherungsautomat 30A	Wheel Drive Motor(s)
F4	56454423	1	Sicherungsautomat 30A	Vac Motor
K1	56397088	1	Relais Bürstenmotor 24V zu BA 550/650	Brush Motor(s)
K2	56412179	1	CONTACTOR 24 VDC	Vacuum Motor
L1	56397203	1	Magnetventil 24 VBA 650	
M1	56397041	1	Saugmotor kompl. 24V	
M2	56026191	1	Motor DC 24 V	TSBUS2003-838 / NOTE 1
M2	56396311	1	Fahrmotor 24V	TSBUS2003-838 / NOTE 2
M3	56027153	1	Bürstenmotor BA 850ST	26" model
M3	56397079	1	Bürsten-Motor (BA550)	20" model
M4	56027153	1	Bürstenmotor BA 850ST	26" model
P1	56372089	1	Batterieanzeige 24V	
P2	56393718	1	STUNDENZAehler	Optional
R1	56397123	1	Potentiometer 25 K	
R2	56397029	1	Potentiometer 5K	
S1	56301636	1	Schalter	Main Power
S2	56324272	1	Kippschalter	Solution
S3	56397122	1	Schalter Bürstenauswurf BA 650	Brush remove
S4	56462362	1	Schalter	
S6	56462362	1	Schalter	

NOTE 1: BA 550 before SN1645714 / BA 650 before SN1645725

NOTE 2: BA 550 after SN1645713 / BA 650 after SN1645724

Bürstenauswahlhilfe

BA 550/650 (after 2002-05)

16-02-2015

ET-Liste-Nr. E126128

37

Pos	Artikelnr.	Me	Beschreibung	
1	9099671000	1	Padhalter 21" 530mm	20" Brushes
1	L08837018	1	PAD HOLDER 530MM	20" Brushes
2	L08837025	1	BRUSH PROLENE 530MM	20" Brushes
3	L08837026	1	BRUSH PROLITE 530MM	20" Brushes
4	L08837028	1	BRUSH, MIDLITE 180 GRIT	20" Brushes
5	L08837029	1	BRUSH,MIDGRIT MEDIUM	20" Brusehs
6	L08837027	1	BRUSH UNION MIX 530MM	20" Brushes
7	L08837065	1	BRUSH MAGNA GRIT 46 530MM	20" Brushes
9	L08837067	1	BRUSH ASLIDEE GRIT 500	20" Brushes
11	56505760	1	Padhalter 330mm	26" Brushes
12	56505761	1	Bürste Sica hartzu CR 1300	26" Brushes
13	56505762	1	Bürste sica mittelzu CR 1300	26" Brushes
14	56505763	1	Bürste Aglite Grit	26" Brushes
15	56505764	1	Bürste PPN hart zu BR5000und CR 1300	26" Brushes
16	56505765	1	Bürste PPN weich	26" Brushes
17	56505766	1	Bürste, Union Mix	26" Brushes
18	56505767	1	Bürste Sica weich 330	26" Brushes
19	56505768	1	Bürste Midlite 330mm	26" Brushes

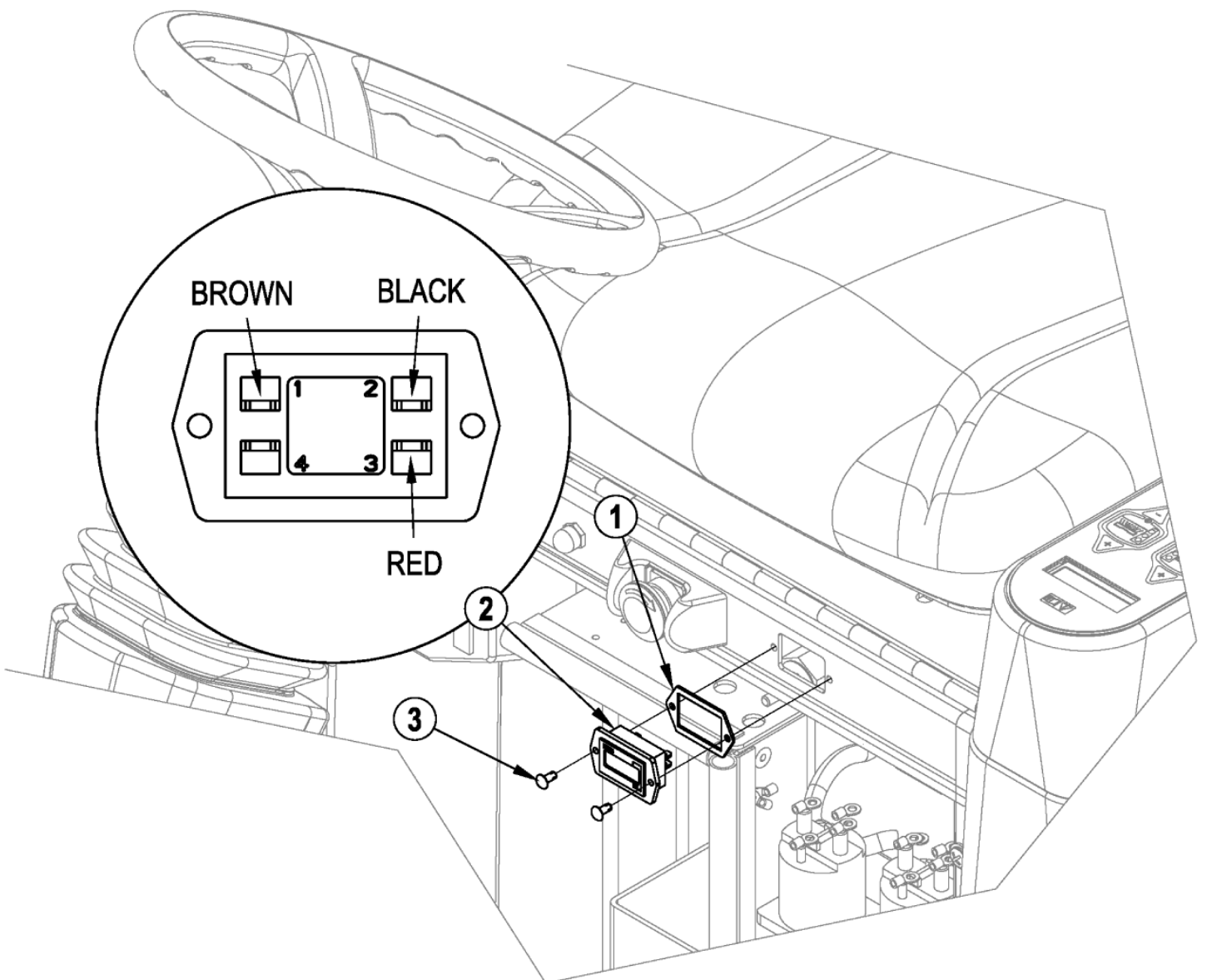
56302198 - Hour Meter Kit

BA 550/650 (after 2002-05)

16-02-2015

ET-Liste-Nr.
IS56040583

38



56302198 - Hour Meter Kit

BA 550/650 (after 2002-05)

16-02-2015

ET-Liste-Nr.
1S56040583

39

Pos	Artikelnr.	Me	Beschreibung
1	56392845	1	Dichtung f.Ladekontrolle
2	56393718	1	STUNDENZAehler
3	56009192	2	RIVET PUSH NYLON BLACK

56397558 - Squeegee Cable Kit

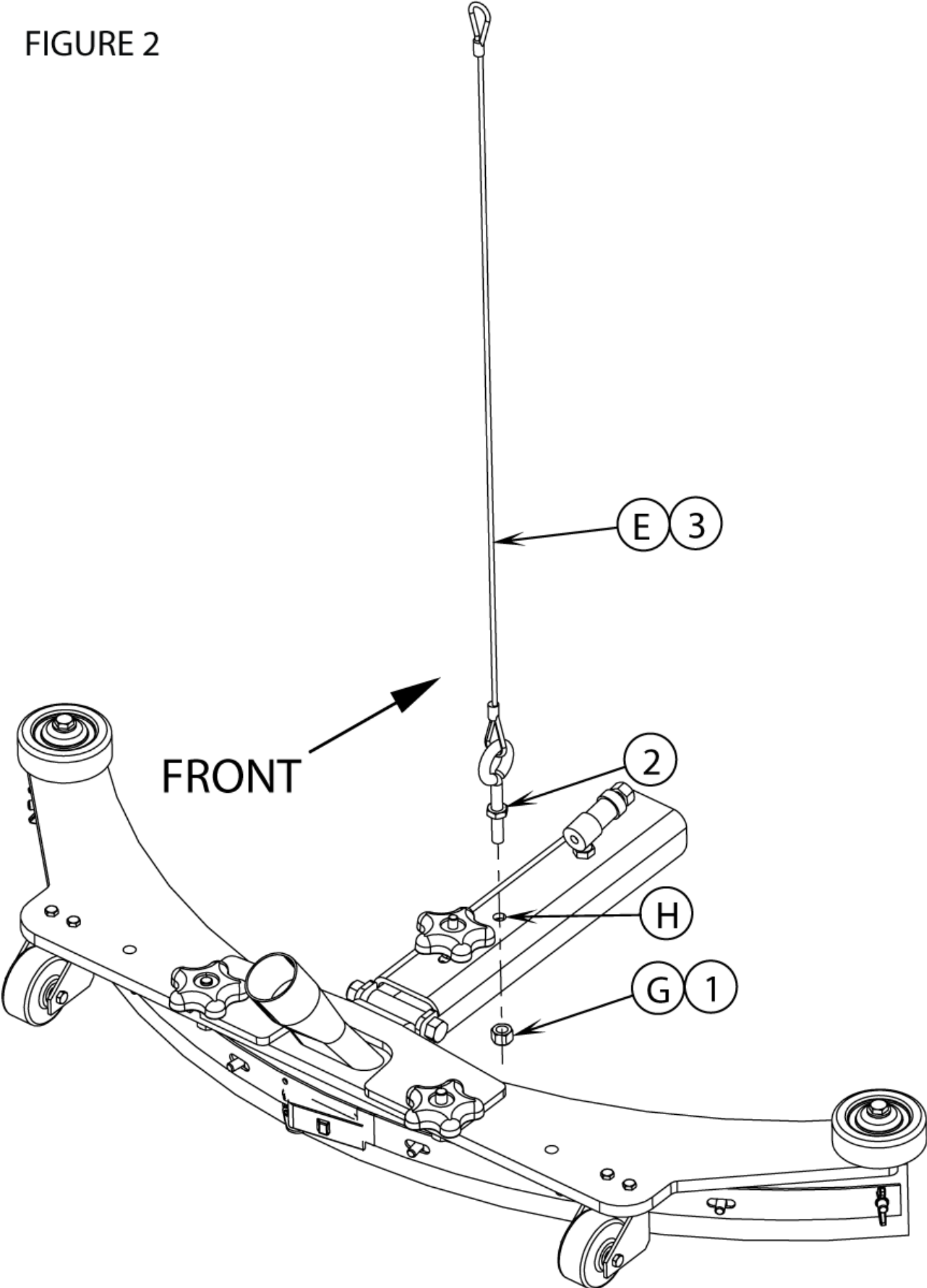
BA 550/650 (after 2002-05)

16-02-2015

ET-Liste-Nr.
IS56040771FIG2

40

FIGURE 2



56397558 - Squeegee Cable Kit

BA 550/650 (after 2002-05)

16-02-2015

ET-Liste-Nr.
IS56040771F-IGZ

41

Pos	Artikelnr.	Me	Beschreibung
1	56002856	1	"Mutter Nylon LOC 5/16""
2	56009141	1	Mutter HEX JAM SS 5/16-18
3	56397559	1	Kabel Saugfuss BA 650

56397558 - Squeegee Cable Kit

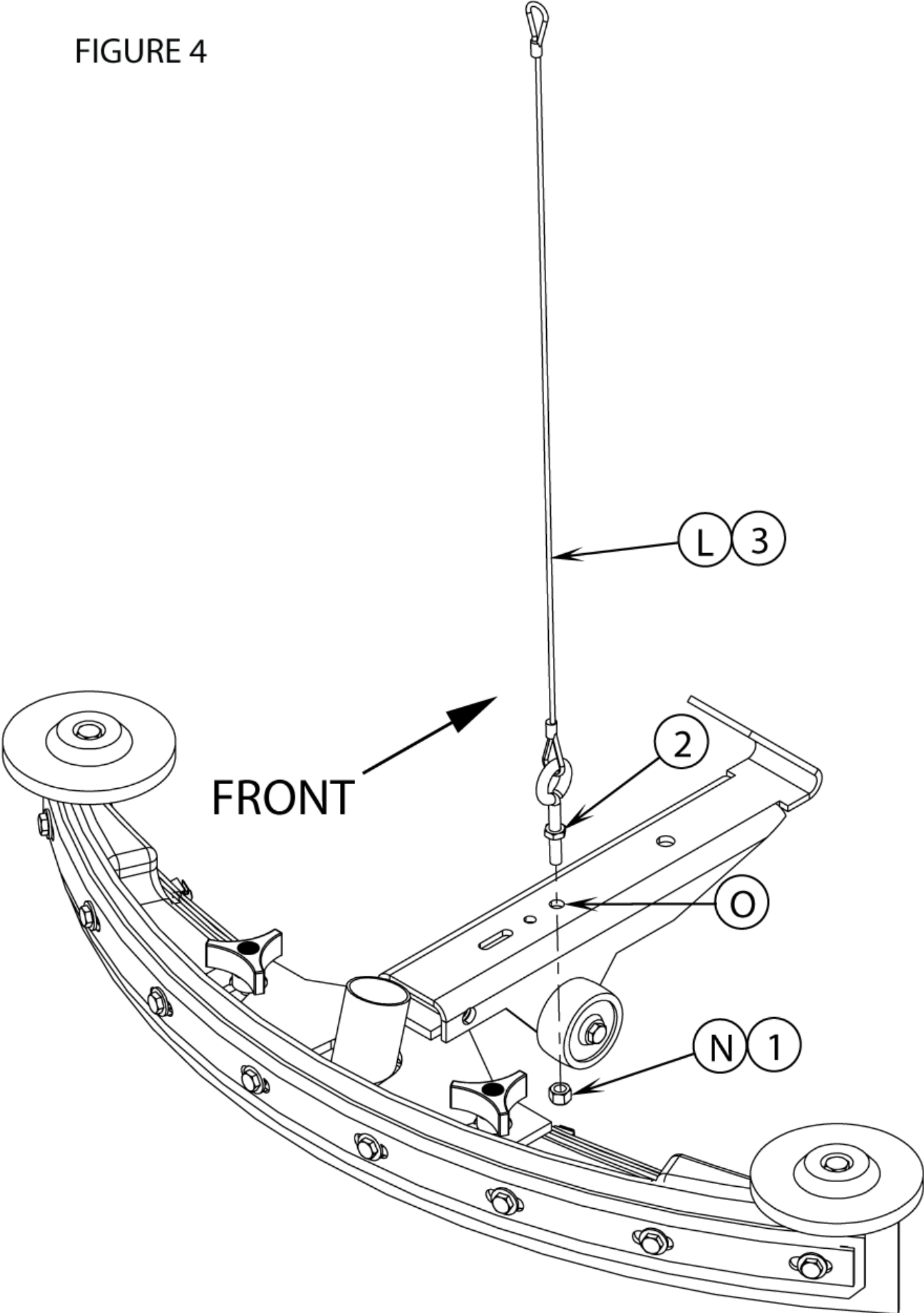
BA 550/650 (after 2002-05)

16-02-2015

ET-Liste-Nr.
IS56040771FIG4

42

FIGURE 4



56397558 - Squeegee Cable Kit

BA 550/650 (after 2002-05)

16-02-2015

ET-Liste-Nr.
IS56040771F-IG4

43

Pos	Artikelnr.	Me	Beschreibung
1	56002856	1	"Mutter Nylon LOC 5/16""
2	56009141	1	Mutter HEX JAM SS 5/16-18
3	56397559	1	Kabel Saugfuss BA 650

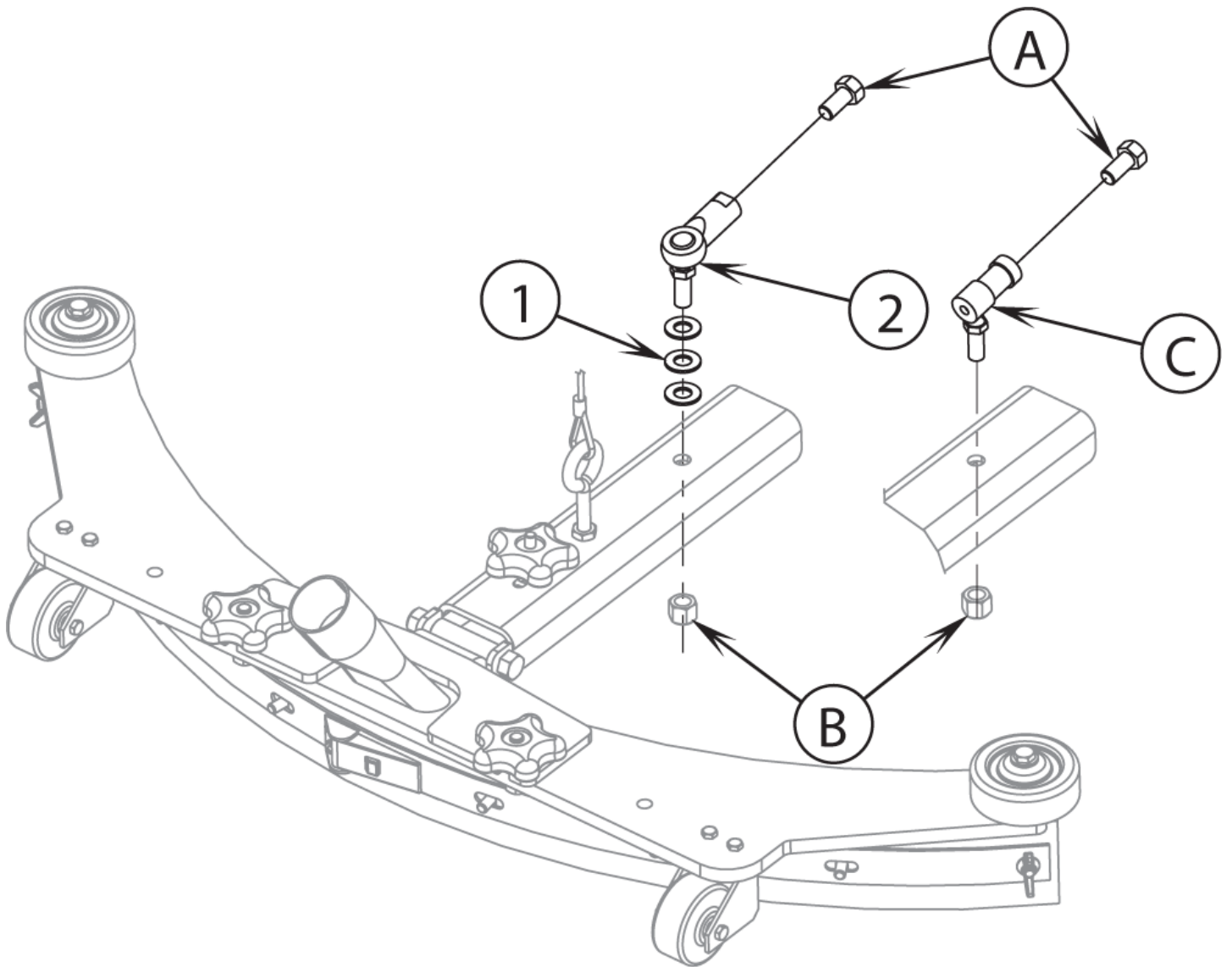
56397386 - Squeegee Pivot Kit

BA 550/650 (after 2002-05)

16-02-2015

ET-Liste-Nr.
IS56040796

44



56397386 - Squeegee Pivot Kit

BA 550/650 (after 2002-05)

16-02-2015

ET-Liste-Nr.
1S56040796

45

Pos	Artikelnr.	Me	Beschreibung
1	56002063	3	"U-Scheibe 3/8""
2	56397385	1	BALL JOINT