

UZ 948

Model:
UZ 948



Part List US-English

12-02-2015

Table of Contents

UZ 948

BASE PART LINE DRAWING	3
EL. BOX LINE DRAWINGS	5
NOZZLES & HOSE LINE DRAWING	7

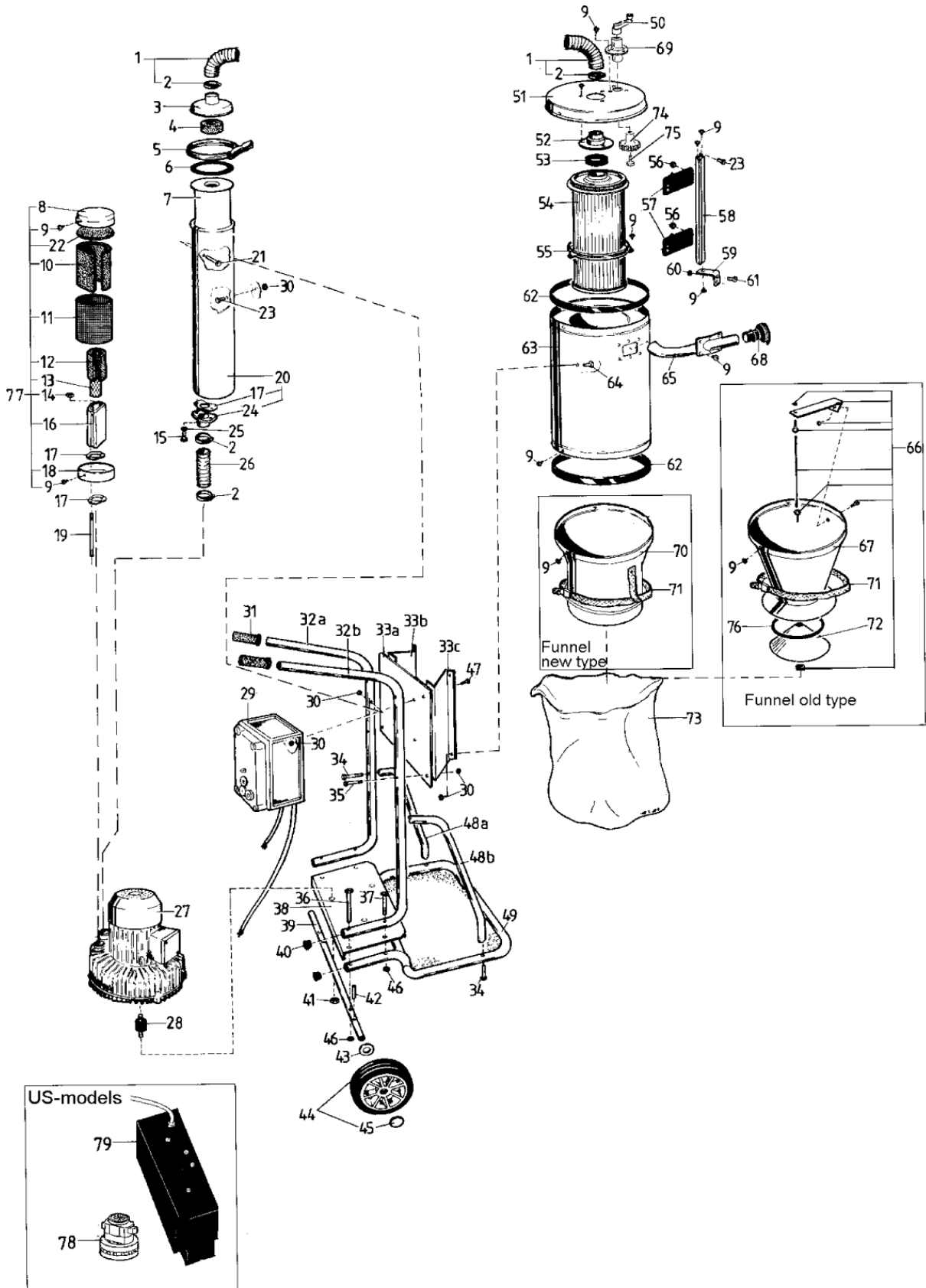
BASE PART LINE DRAWING

UZ 948

12-02-2015

Part List ID
G11313

3



BASE PART LINE DRAWING

UZ 948

12-02-2015

Part List ID
G11313

4

Pos	Part no.	Qty	Description
7	140 6202 080	1	FILTER FLIP I 400 4 PCS
7	140 6202 085	1	FILTER FLIP II 400 4 PCS
7	140 6202 090	1	FILTER FLIP I 800 2 PCS
7	140 6202 095	1	FILTER FLIP II 800 2 PCS
17	142 0809 000	4	GASKET
20	142 0812 000	1	CONTAINER COMPLETE
24	142 0814 000	1	CONNECTION
25	732 2118 010	2	SELF LOCKING NUT M8 Z.PL.
30	732 2116 010	10	SELF LOCKING NUT M6
34	725 2379 510	4	SCREW M6X45 Z.PL.
41	732 2120 010	6	NUT M10 Z.PL.
46	732 2118 010	4	SELF LOCKING NUT M8 Z.PL.
54	142 0388 000	1	PRE-FILTER.
62	142 0846 000	2	PROTECTION RING
63	142 0984 000	1	SWEEP
73	140 6203 010	1	DUST BAG 50 PCS
76	142 0855 000	1	SEALING

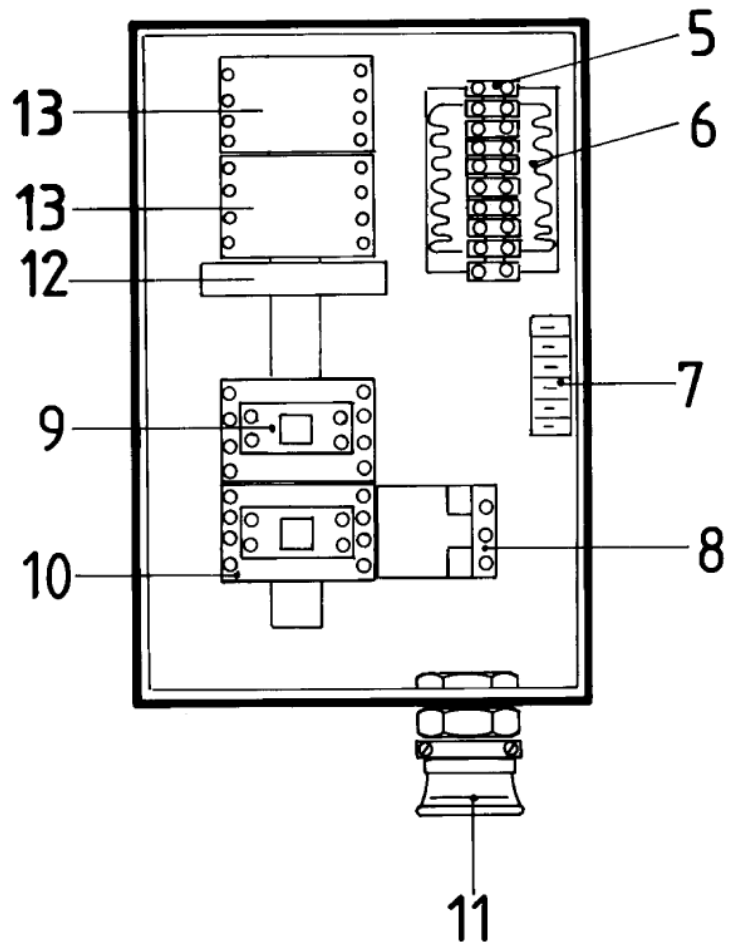
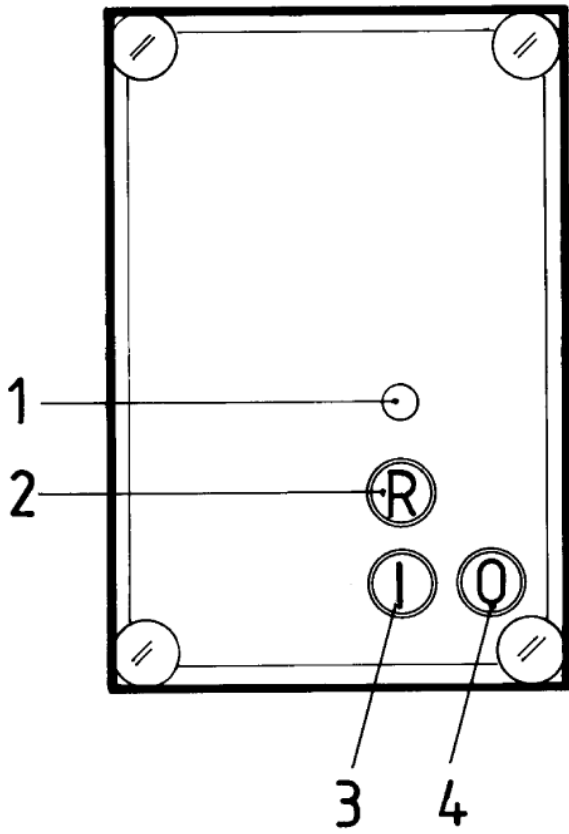
EL. BOX LINE DRAWINGS

UZ 948

12-02-2015

Part List ID
G11316

5



EL. BOX LINE DRAWINGS

UZ 948

12-02-2015

Part List ID G11316

6

Pos	Part no.	Qty	Description
2	142 0859 000	1	PUSH BUTTON

NOZZLES & HOSE LINE DRAWING

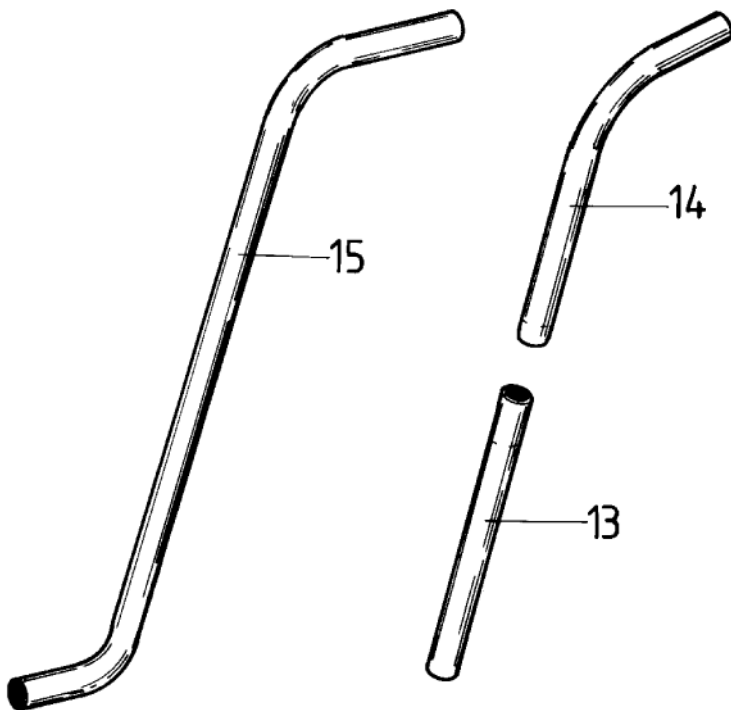
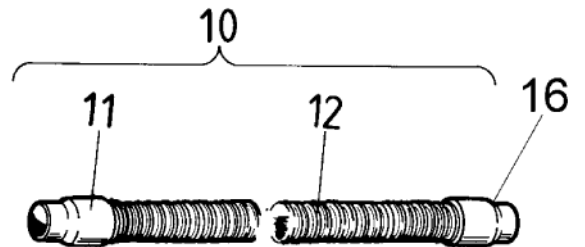
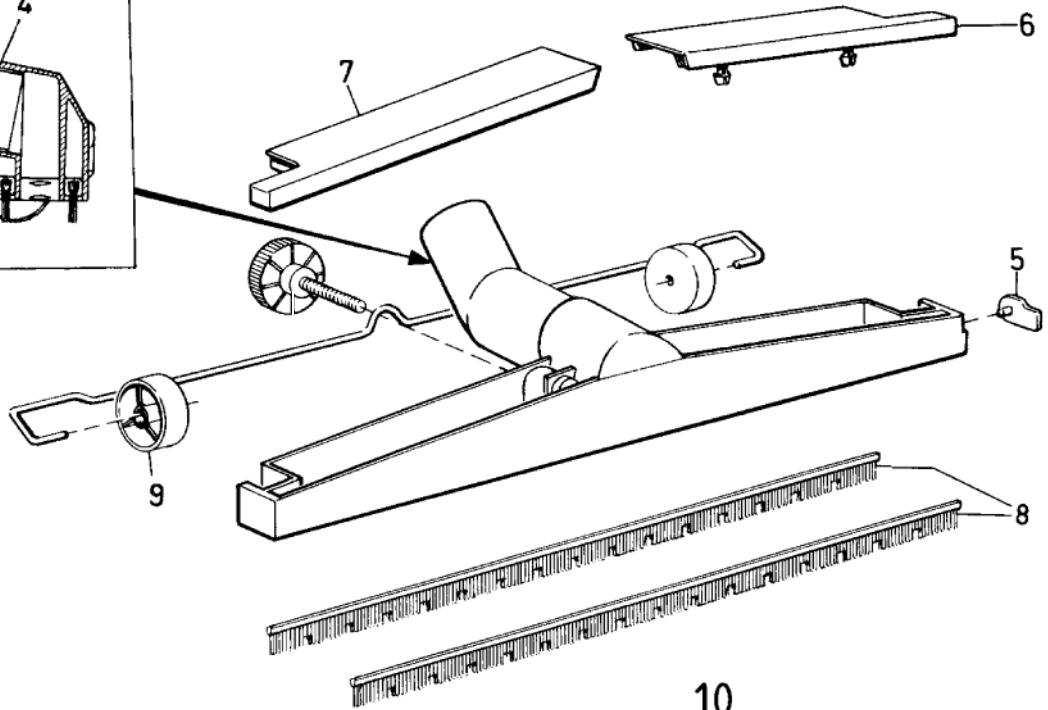
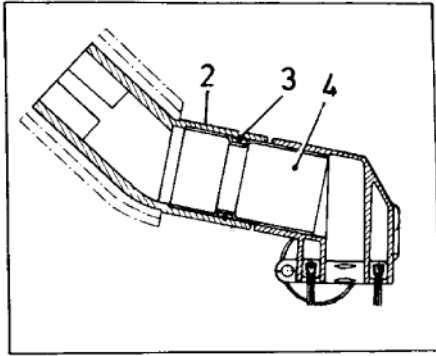
UZ 948

12-02-2015

Part List ID
G11318

7

①



NOZZLES & HOSE LINE DRAWING

UZ 948

12-02-2015

Part List ID G11318

8

Pos	Part no.	Qty	Description
1	140 3818 010	1	NOZZLE FOR 50MM WITH BRUSH
5	093 1678 000	1	CLIP
8	L02123100	1	SET RUBBER MOULDINGS IRD
8	L02123200	1	MOULDINGS BRUSH KIT IRD 500
11	140 4044 000	2	HOSE END
13	140 6226 050	2	SUCTION TUBE. STRAIGHT STA
14	140 6226 040	1	BENT TUBE. STAINLESS