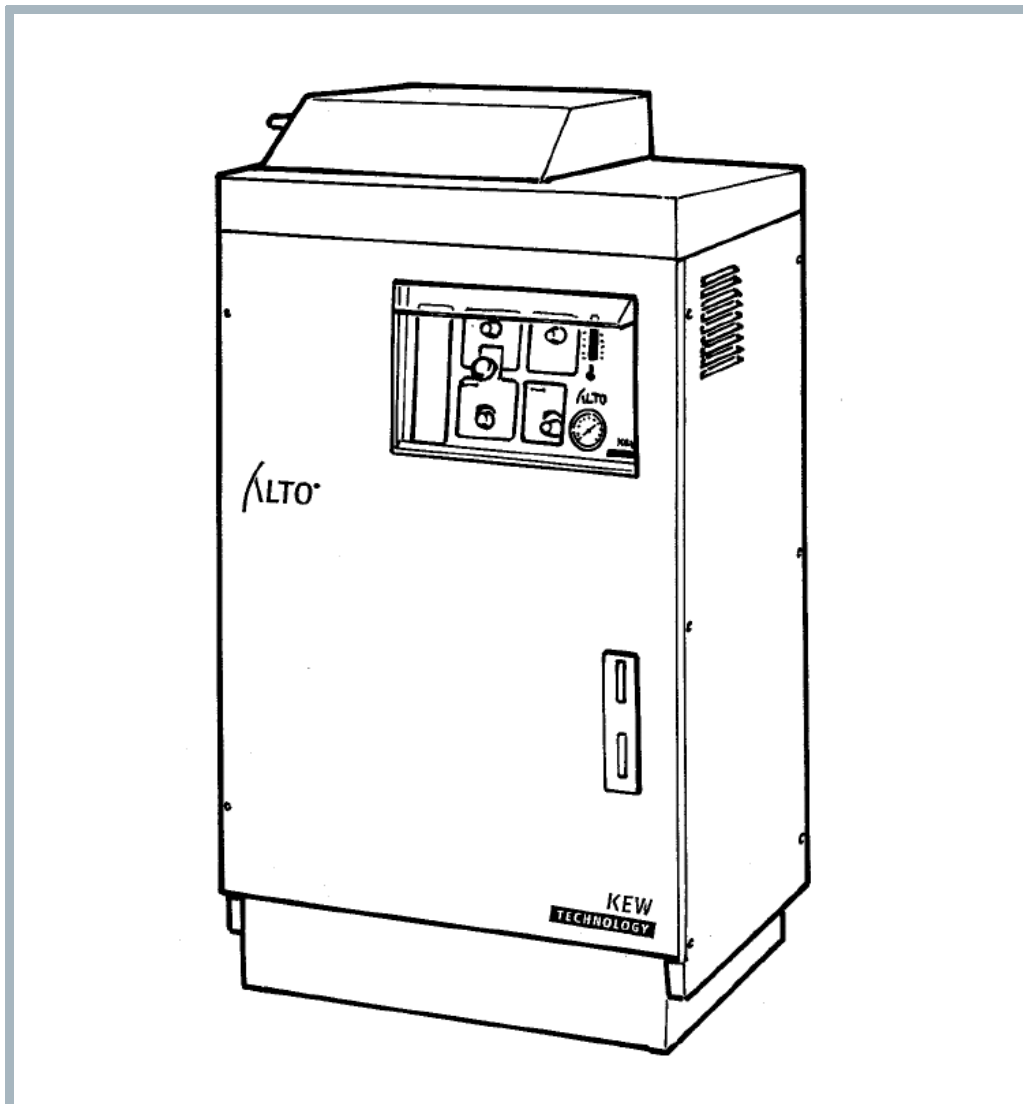


03VS

Model:
03VS



Part List US-English

05-04-2015

Table of Contents

03VS

Machine, mount (a)	3
Machine, mount (b)	5
Machine, mount (c)	7
Front panel, mounted	9
Side panel, compl. left	11
Quick coupling	13
Water inlet, compl.	15
Hoses intake	17
Motor pump unit (a)	19
Motor pump unit (b)	21
Motor pump unit (c)	23
Fan, compl.	25
Regulating cylinder	27
Fuel filter, compl..	29
Venting valve	31
Flow control (Boiler)	33
Flow control, compl. (a)	35
Flow control, compl. (b)	37
Flow switch, compl.	39
Outlet for Coil, compl.	41
Boiler compl.	43
Air distributor, compl.	45
Water tank, compl.	47
Control panel, mount.	49
Electrical parts from 27.02.92	51
Electrical parts up to 27.02.92	53
Frost protection Kit	55

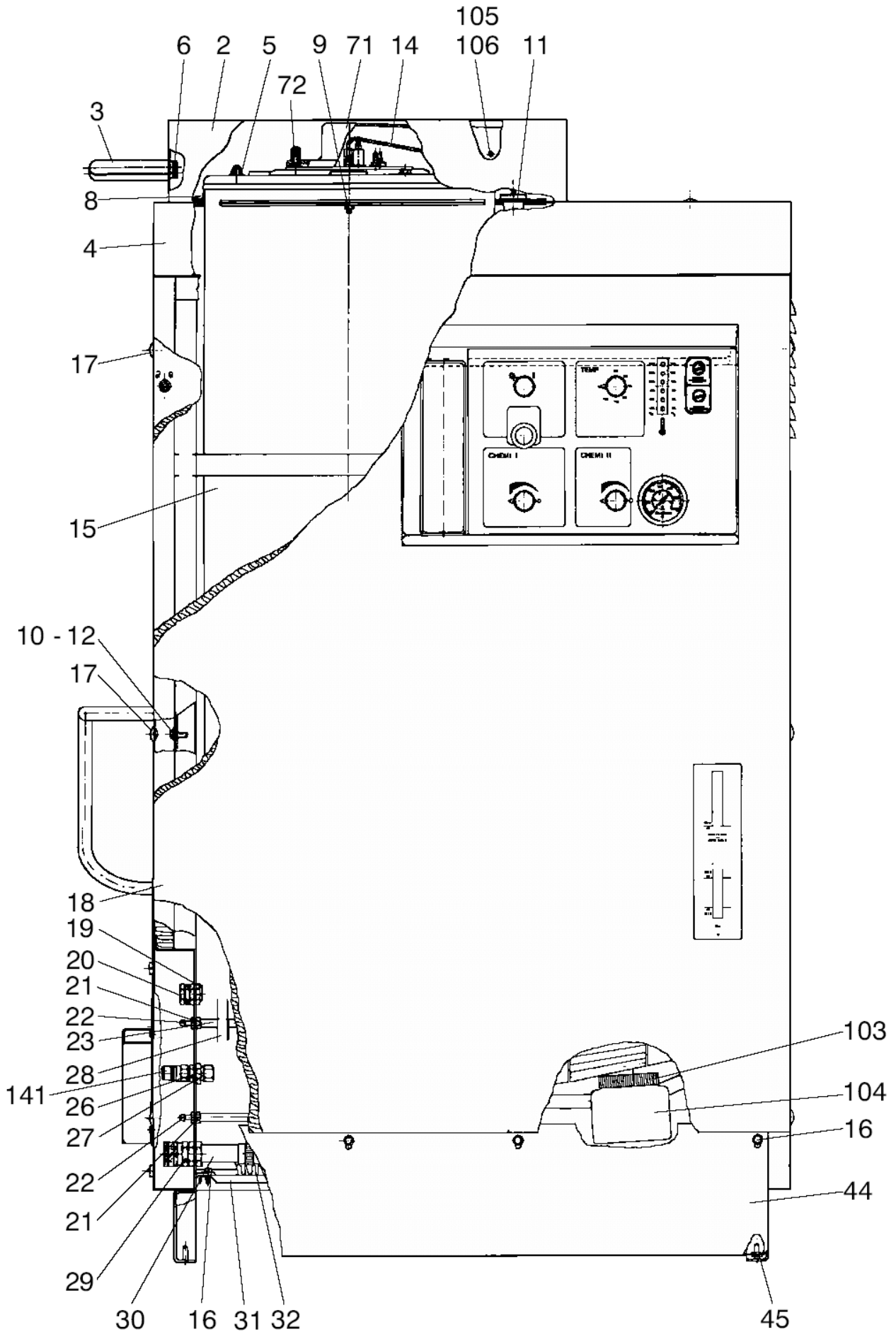
Machine, mount (a)

03VS

05-04-2015

Part List ID 03VS02

3



Machine, mount (a)

03VS

05-04-2015

Part List ID
03VS02

4

Pos	Part no.	Qty	Description	
1		1	USE LINK	See "Motor pump unit"
5	1807528	3	NUT M8. STAINLESS	
9	1800705	16	NUT M6 ISO 4032	
10	1814110	24	SCREW INSEX M5X20 DIN912 8.8	FROM 27.07.92
11	3803798	1	RUBBER SEAL 14-20C	
12	1813344	24	POP-NUT M5	FROM 27.07.92
13	6224074	2	HINGE	
15		1	USE LINK	See "Boiler, compl."
16	1803592	40	SHEET METAL SCREW	
18		1	USE LINK	See "Front panel, mounted"
19	3800786	1	Lock nut DIN46320	
20	3800760	1	BRACKET	
21	1801026	4	LOCK NUT M10 X 1	
22	6200651	4	HOSE SOCKET	
24	6224079	1	PLATE	
25	1800895	16	SCREW	
26	6200484	1	THREADED CONNECTION	
27	1803220	1	HEXAGON NUT M18X1.5 ISO 8675 ZN	
28	1402510	1	HIGH PRESSURE HOSE	
29	1602945	1	QUICK COUPLING 3/4 W/GASKET	See "Quick coupling, compl."
30		1	USE LINK	See "Water inlet, compl."
33	6220070	1	GASKET FOR FAN	
34	6200282	2	GASKET FOR BOILER	UP TO 21.10.92
35	1803618	6	TUBULAR RIVET	
35	6220069	3	HOLDER FOR GASKET	
37	1805399	1	LOCK NUT W. NYLONRING M6 A2	
38	1800440	1	WASHER -1101320 -1103440	

Machine, mount (b)

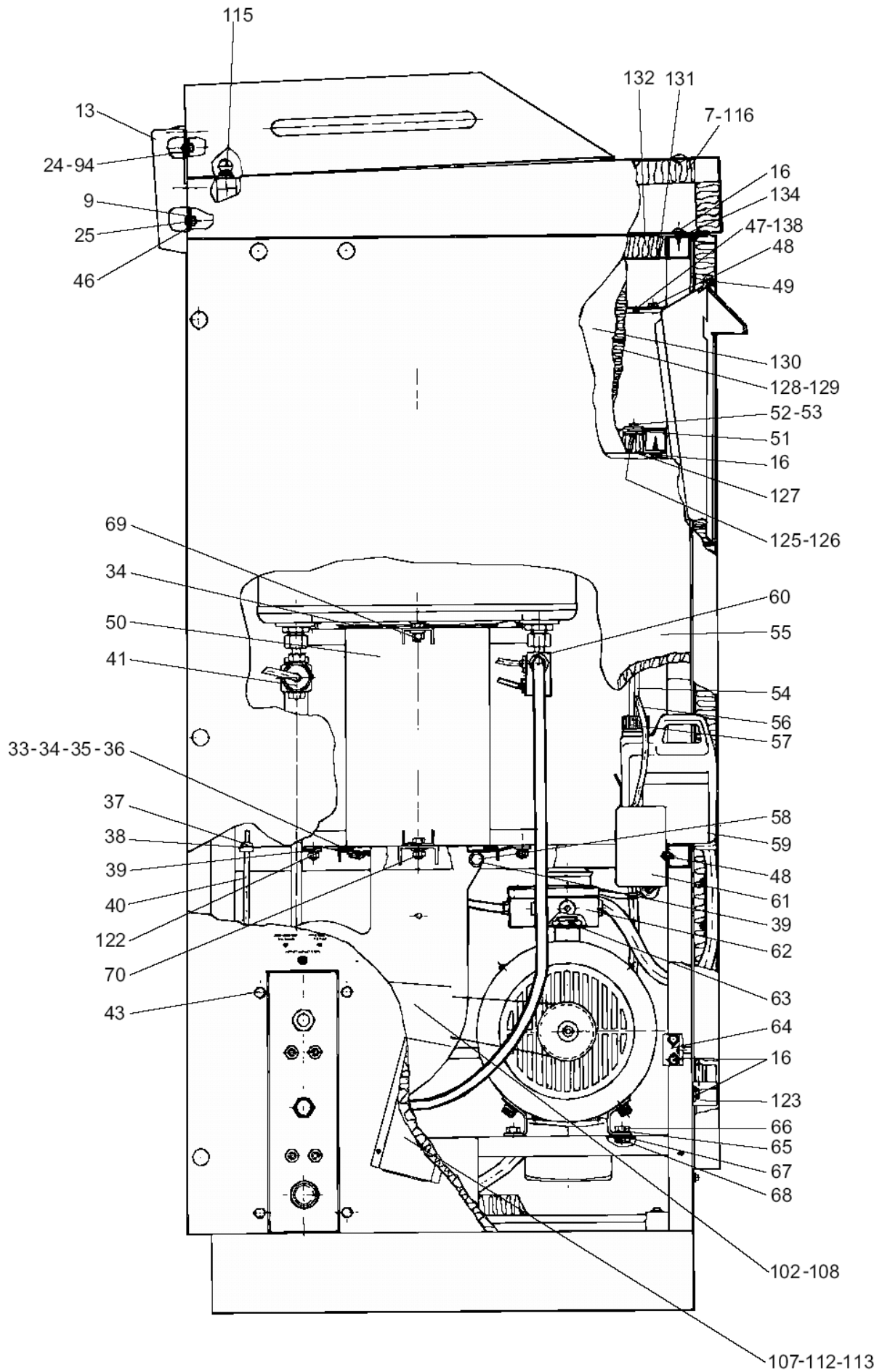
03VS

05-04-2015

Part List ID

03VS04

5



Machine, mount (b)

03VS

05-04-2015

Part List ID

03VS04

6

Pos	Part no.	Qty	Description	
39	1810274	5	WASHER M8 - DIN 6798J	
41		1	USE LINK	See "Flow control, compl. (b)"
42		1	USE LINK	See "Flow control, compl. (b)"
43	1802909	4	SCREW M8X16	
48	1803543	11	SCREW M4X10	
52	1800903	3	TOOTHED LOCK WASHER	
53	1813484	3	SCREW INSEX M6X16	
57	6200658	1	COVER FOR CONTAINER	
58	1803089	2	SCREW INSEX M8X12	
59	5301316	1	ANTISCALE/ANTI-STONE 1LTR	
60		1	USE LINK	See "Outlet for Coil, compl."
61	3806593	1	SOFTENING PUMP	UP TO 30.06.92
61	3812468	1	DOSINGPUMP 24V 50HZ	
62	6221852	1	TERMINAL BOX F. WIRES	
63	1800341	1	LOCK NUT 3/4IN	
65	1801968	4	TOOTHED LOCK WASHER M10 FZB DIN6798	
66	1800465	4	NUT M10 DIN 934	
67	1800317	8	WASHER 10.5X22.0X1.25 A ISO7090 ZN	
68	1800762	4	SCREW HEX CAP M10X20	
69	2758	6	HEXAGON NUT M8	
70	1802909	3	SCREW M8X16	
71	6200280	1	BOILER TOP SECTION	
72	6200310	3	NUT	
77		1	USE LINK	See "Water tank, compl."

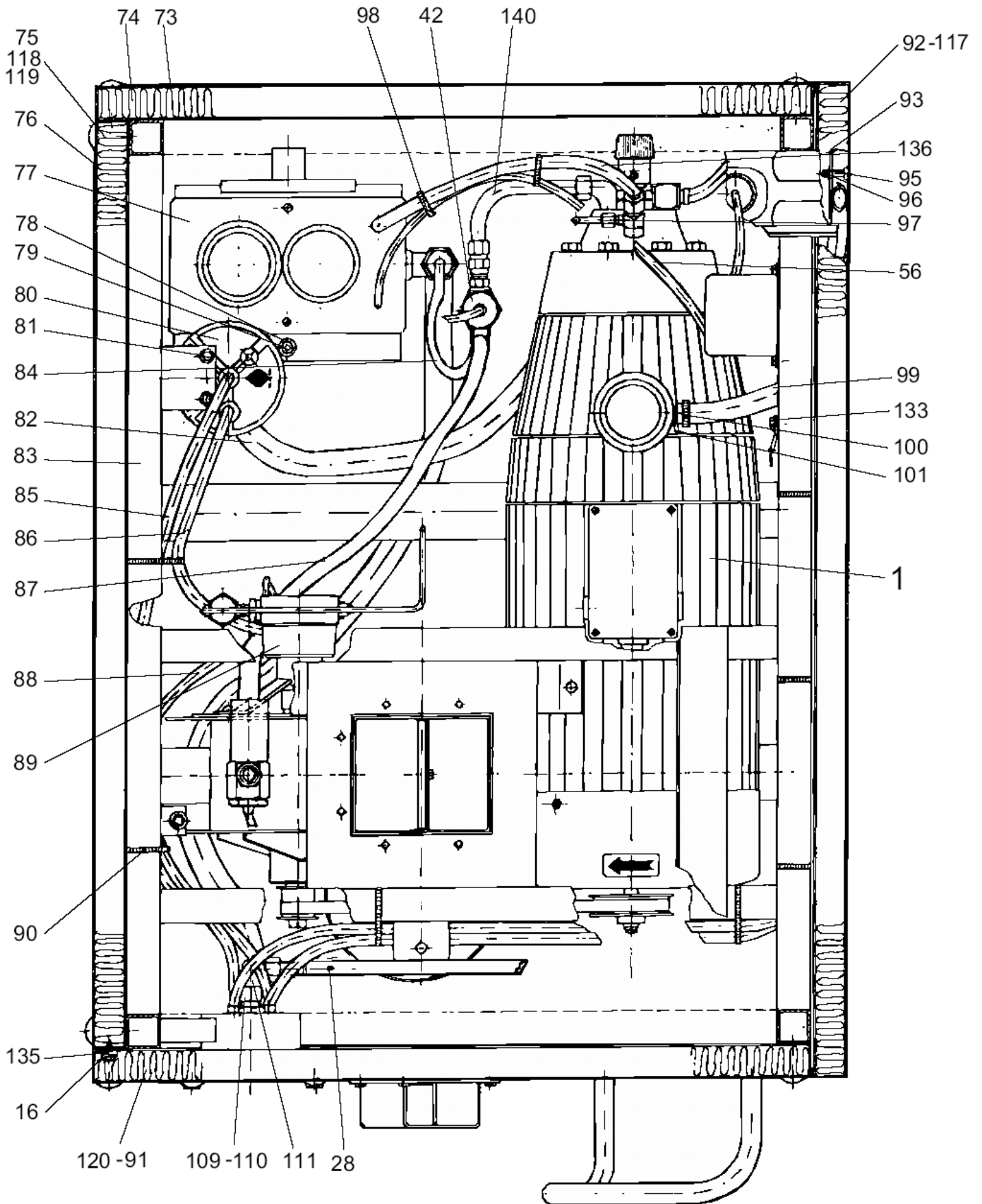
Machine, mount (c)

03VS

05-04-2015

Part List ID 03VS06

7



Machine, mount (c)

03VS

05-04-2015

Part List ID
03VSU6

8

Pos	Part no.	Qty	Description	
78	1800440	1	WASHER -1101320 -1103440	
79	1805399	1	LOCK NUT W. NYLONRING M6 A2	
80	6200466	1	FUEL FILTER COMP.	See "Fuel filter, compl."
82	5206230	1	HOSE 5/8 16 MM 10 BAR DIN 73411	L=775 * SEE NOTE
84	4973	1	HOSE Ø6X3	L=600 * SEE NOTE
85	5226220	1	HOSE D6X2.5	(L=1050) * SEE NOTE
86	5226220	1	HOSE D6X2.5	L=750
88	5226220	1	HOSE D6X2.5	(L=1050) * SEE NOTE
89		1	USE LINK	See "Fan, compl."
90	1800416	10	CABLE TIE 4.8 X188 PA6.6 BLACK	
95	1800887	2	WASHER M4	
96	2759	2	HEXAGON NUT M4	
98	1803329	2	CABLE BINDER BLACK	
99	5206330	1	HOSE	L=610 * SEE NOTE
100	8298	3	HOSE CLIP 16-27	
103	6101625	1	COVER F. SLUDGE CONTAINER	
104	2200467	1	SLUDGE CONTAINER	
109	1081	1	UNION NUT L12 DIN 3870-A ST/ZN	
110	1080	1	CUTTING RING L12 B DIN 3861 ST/ZN	
111	101118094	1	COUPLING KIT 90D ISO 8434 M18X1.5 THREAD	Includes fittings (union nut and ring L12)
112	1801729	4	SCREW M4 X 12	
114	2759	4	HEXAGON NUT M4	
121	4601134	2	PLUG FOR Ø11	
122	2758	9	HEXAGON NUT M8	
133	1803543	1	SCREW M4X10	
136	4973	1	HOSE Ø6X3	L=600 * SEE NOTE
139	1804152	1	WASHER M5	
140	6220510	1	PRESSURE PIPE	FROM 27.07.92
141	1600493	1	Nippel F. Q-COUPL. 3/8 INCH	
141	1603101	1	NIPPLE F/QUICK COULING 3/8 SS	SS

* NOTE: PLS. INDICATE LENGTH IN METRES!

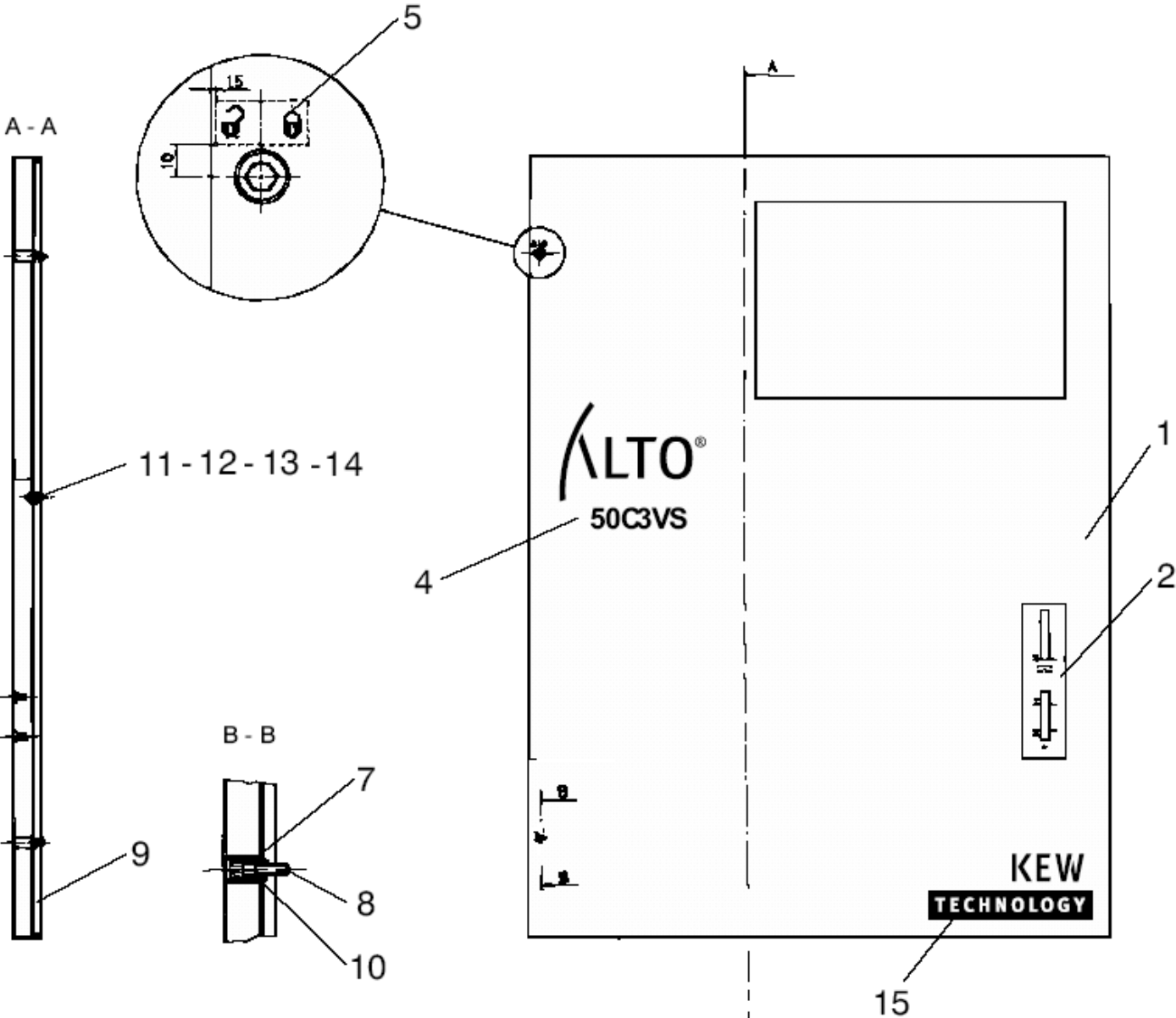
Front panel, mounted

03VS

05-04-2015

Part List ID 03VS08

9



Front panel, mounted

03VS

05-04-2015

Part List ID
03VS08

10

Pos	Part no.	Qty	Description	
11	8917	1	SCREW M6X12	
12	1800440	2	WASHER -1101320 -1103440	
14	1800705	1	NUT M6 ISO 4032	
15	6201141	2	LABEL KEW TECHNOLOGY	
18	6224226	1	FRONT PANEL 03VS ALTO	03VS

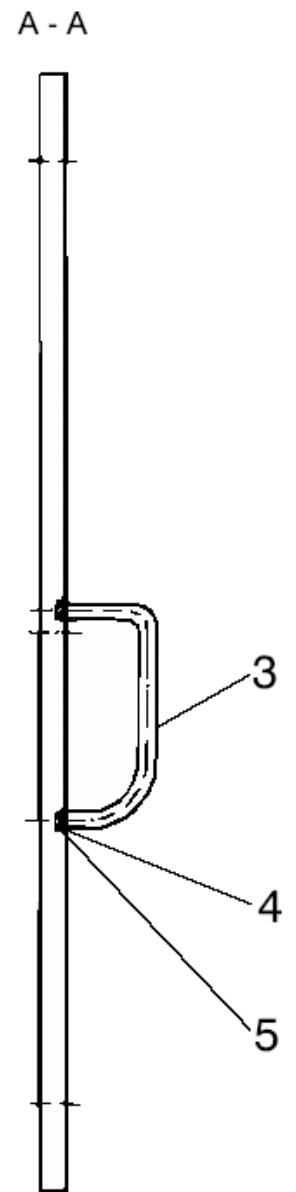
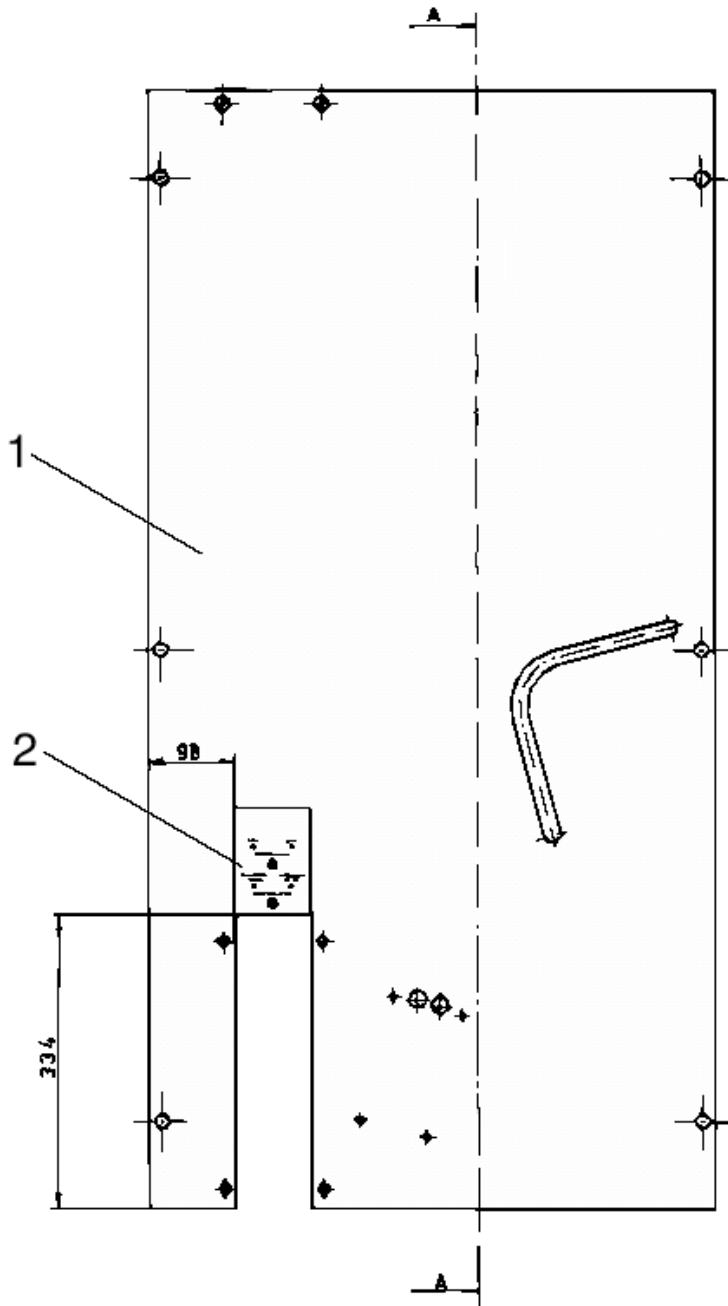
Side panel, compl. left

03VS

05-04-2015

Part List ID 03VS10

11



Side panel, compl. left

03VS

05-04-2015

Part List ID
03VS10

12

Pos	Part no.	Qty	Description
4	1800317	2	WASHER 10.5X22.0X1.25 A ISO7090 ZN
5	1802305	2	SCREW M10X16

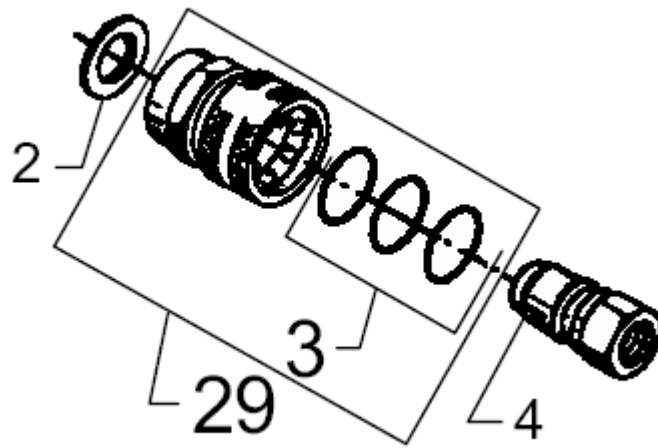
Quick coupling

03VS

05-04-2015

Part List ID 03VS12

13



Quick coupling

03VS

05-04-2015

Part List ID 03VS12

14

Pos	Part no.	Qty	Description
2	1801075	1	PACKING RING 23.8X17.2X2 3/8 INCH St-NBR
3	1118132	1	O-RINGS F. QUICK COUPLING KIT
4	1600659	1	LP NIPPLE F. Q.-COUPLING 3/4IN
4	1602473	1	MALE COUPLING 5/8IN 5/8"
4	1604669	1	NITO COUPLING HOSE END 1 3/4"-1/2"
29	1602945	1	QUICK COUPLING 3/4 W/GASKET

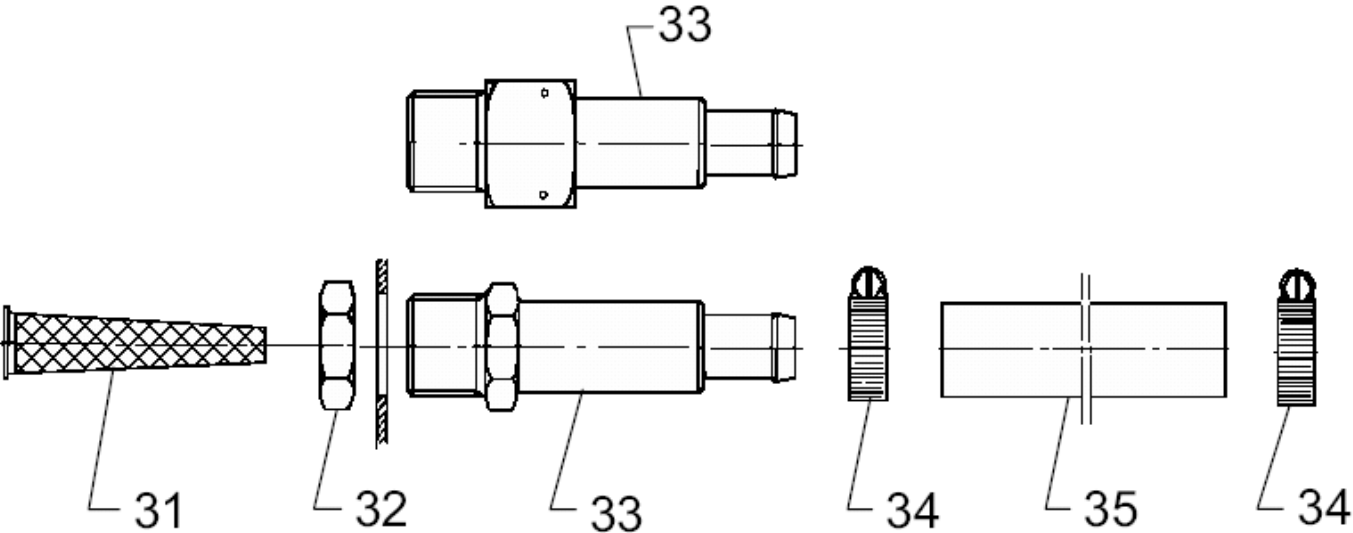
Water inlet, compl.

03VS

05-04-2015

Part List ID 03VS14

15



Water inlet, compl.

03VS

05-04-2015

Part List ID
03VS14

16

Pos	Part no.	Qty	Description	
31	6100941	1	FILTER L 7CM	
32	1800341	1	LOCK NUT 3/4IN	
33	6100937	1	FILTER HOUSING	
33	6221914	1	FILTER HOUSING. FROST PROTECT	
34	8298	2	HOSE CLIP 16-27	
35	5206230	1	HOSE 5/8 16 MM 10 BAR DIN 73411	L=775 * SEE NOTE

* NOTE: PLS. INDICATE LENGTH IN METRES!

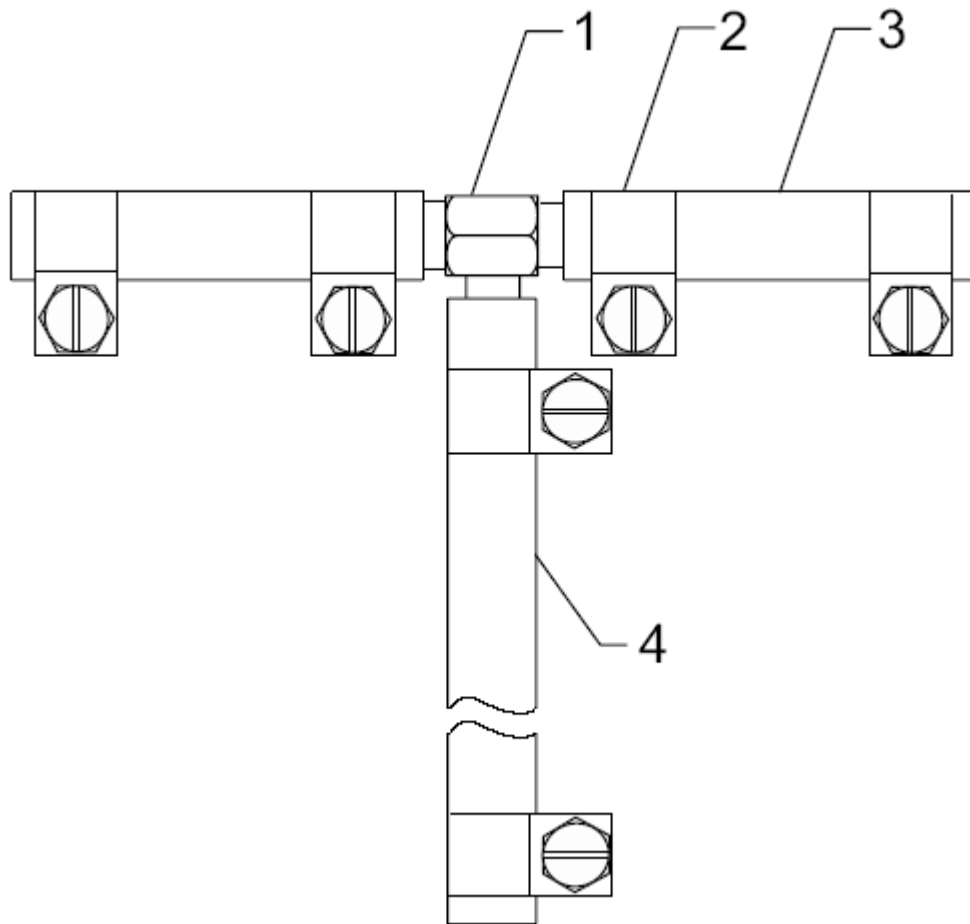
Hoses intake

03VS

05-04-2015

Part List ID
03VS16

17



Hoses intake

03VS

05-04-2015

Part List ID
03VS16

18

Pos	Part no.	Qty	Description
2	8298	6	HOSE CLIP 16-27
3	4973	2	HOSE Ø6X3 (L=65) * SEE NOTE
4	4973	1	HOSE Ø6X3 (L=65) * SEE NOTE

* NOTE: PLS. INDICATE LENGTH IN METRES!

Motor pump unit (a)

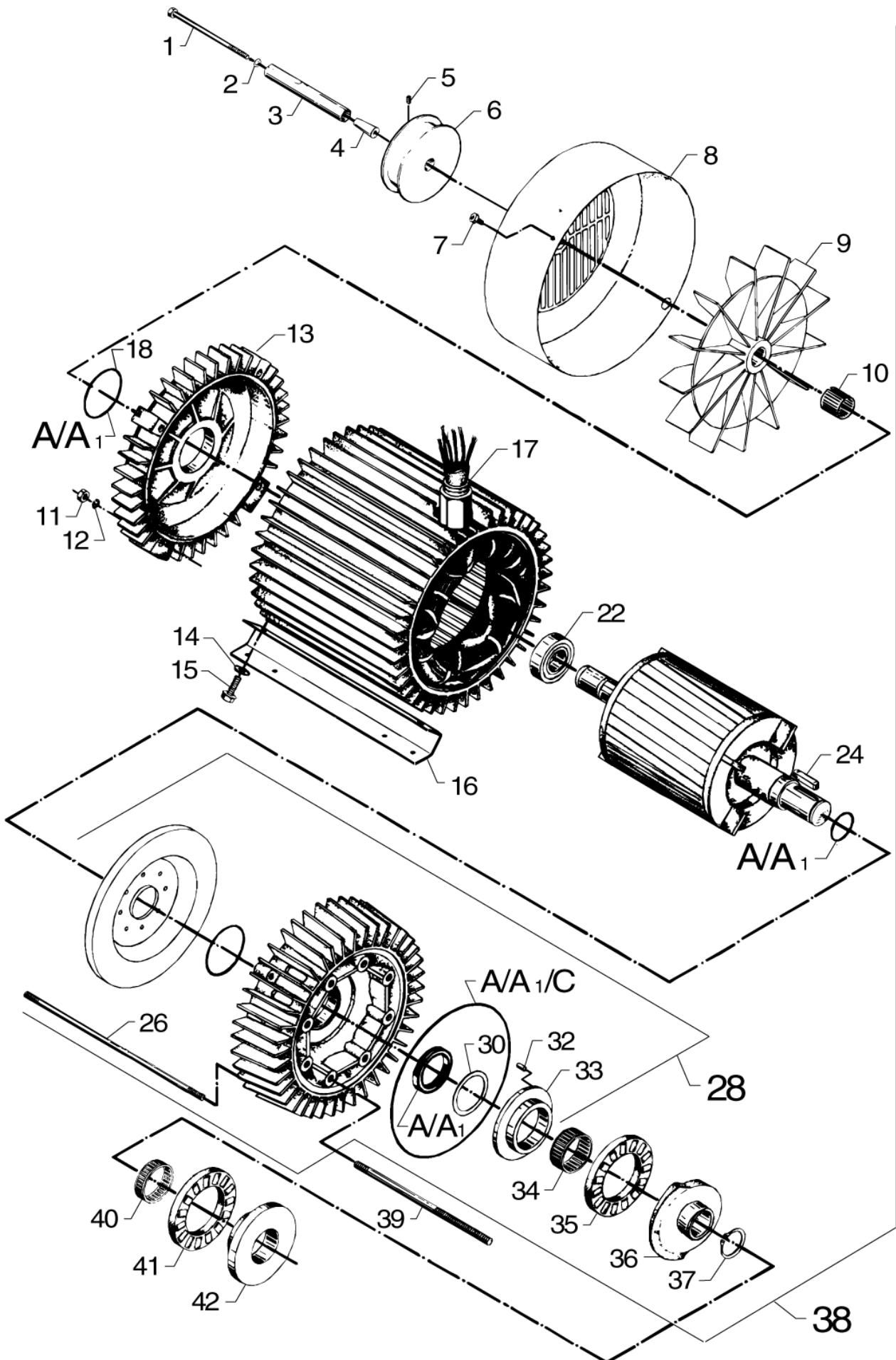
03VS

05-04-2015

Part List ID

03VS18

19



Motor pump unit (a)

03VS

05-04-2015

Part List ID
03VS18

20

Pos	Part no.	Qty	Description	
1	6200415	1	STAY BOLT M5X80	
2	3376	1	SERRATED LOCK WASHER D5.3 A2 DIN 6798A	
3	6200413	1	DRIVESHAFT	
4	6200414	1	CONE	
5	1800358	1	SET SCREW DIN 916 M6X 8	
6	6200434	1	PULLEY	
6	6200435	1	PULLEY	3X440/230 V, 60HZ
7	1803543	2	SCREW M4X10	
8	6100609	1	COVER F. FAN	
9	6100605	1	FAN	
10	1802503	1	LOCK RING FAN WHEEL	
11	2758	4	HEXAGON NUT M8	
12	1801182	4	SPRING WASHER M8	
13	107140617	1	REAR BEARING COVER	From week 32/09 (EME)
13	6100611	1	REAR BEARING COVER	Up to week 32/09 (ATB)
14	1801968	4	TOOTHED LOCK WASHER M10 FZB DIN6798	
15	1802651	4	SCREW M10X20	
16	6220073	2	HOLDER FOR MOTOR	
17	6220727	1	BUSHING	
22	3200623	1	REAR BEARING	
24	3200672	1	TONGUE 6X6X32 A DIN 6885 ST	
26	6100712	4	STAY BOLT L306MM	
28	107140615	1	FRONT BEARING COVER COMPLETE	From week 32/09 (EME) TSB-PPW-2011-013 C3 Pump inf
28	6101750	1	FRONT BEARING COVER COMP.	Up to week 32/09 (ATB) TSB-PPW-2011-013 C3 Pump in
30	6100995	1	WASHER	
32	6100996	1	GUIDE PIN	
33	107120703	1	BEARING TRACK	
34	3200656	1	NEEDLE BEARING INA K 40X46X17	
35	3200615	1	AXIAL ROLLER BEARING	
36	107120710	1	WOBBLE DISC 6	NO. 6
36	107120716	1	WOBBLE DISC 12	NO.12
37	1802511	1	CIRCLIP 28X1.5 DIN471A	
38	6101734	1	MOTOR COMP. 6.5KW. 50HZ	3 X 415, 50 HZ
38	6101735	1	MOTOR COMP. 6.5KW 50HZ	3 X 380/220 V, 50 HZ
38	6101736	1	MOTOR COMP. 6.5KW 60HZ	3 X 440/230 V, 60HZ
39	6100710	8	STAY BOLT L200MM	
39	6301368	8	STUDS	C3
40	3200664	1	NEEDLE BEARING	
41	3200615	1	AXIAL ROLLER BEARING	
42	107120704	1	BEARING TRACK	

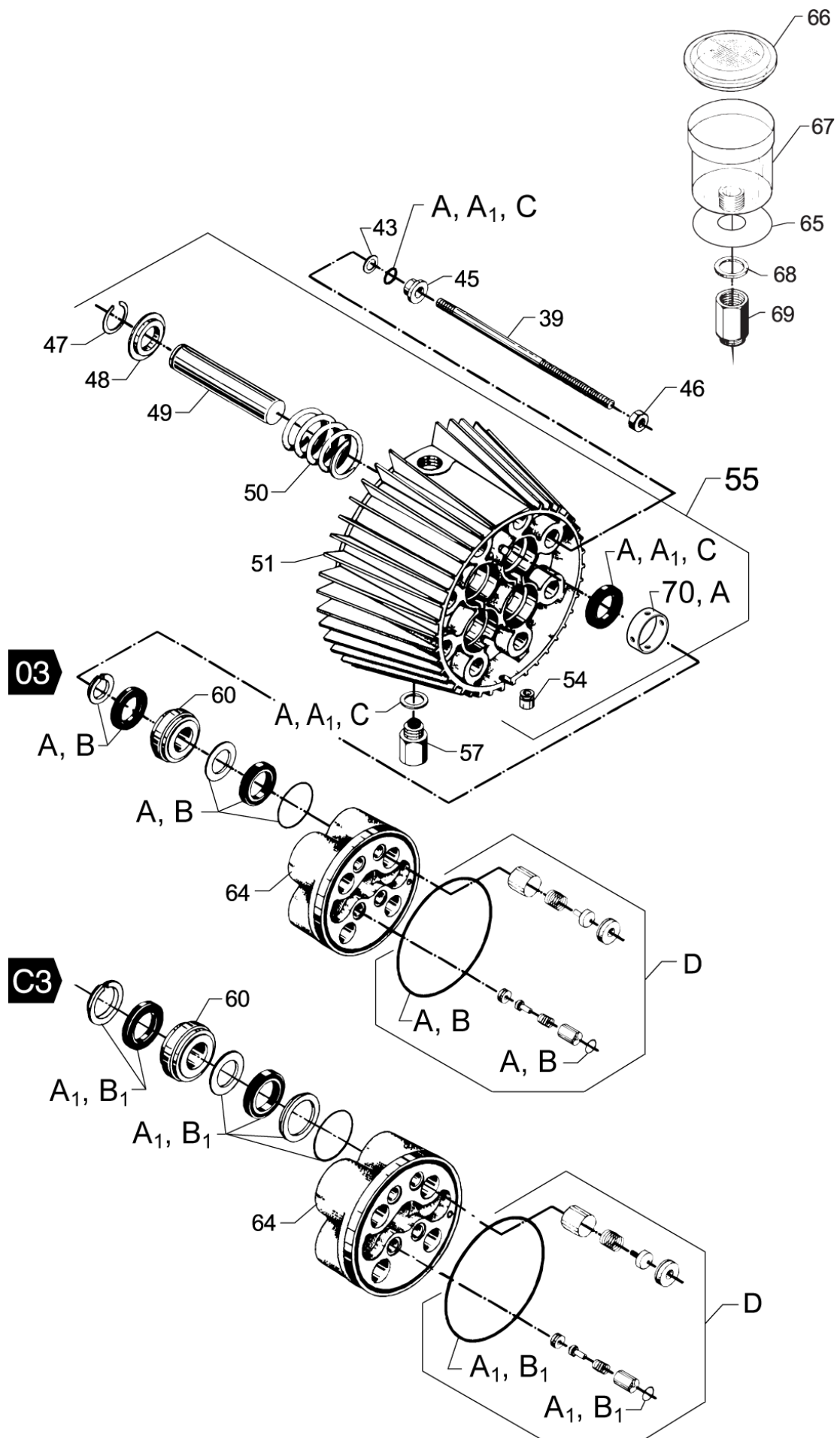
Motor pump unit (b)

03VS

05-04-2015

Part List ID
03VS20

21



Motor pump unit (b)

03VS

05-04-2015

Part List ID
03VS20

22

Pos	Part no.	Qty	Description	
A	6109046	1	GASKET REPAIR KIT	
B	1119035	1	GASKETS REDUCED REP.KIT	
C	1119820	1	OIL SEAL 03/C3 REP.KIT	
D	1119310	1	VALVE SET 4X O2/A2/O3	
43	6100718	8	WASHER 10X16X1	
45	6100719	8	THRUST COLLAR	
46	1800465	8	NUT M10 DIN 934	
47	1802529	4	CIRCLIP	
48	6100666	4	RING F. RETURN SPRING	
49	107307253	4	PISTON SPARE	
49	6301166	4	CERAMIC PISTON C3	C3
50	102602517	4	RETURN SPRING C3 4.3x41x61.5 ST	C3
50	2602274	4	RETURN SPRING C3	03
51	6100610	1	CYLINDER BLOCK	
54	6100919	1	DRIP NOZZLE	
55	6101702	1	CYLINDERBLOCK	
55	6300071	1	CYLINDER BLOCK COMP.	C3
57	6150400	1	DRAIN PLUG	
60	107120700	4	THRUST COLLAR BACK-UP RING	C3
60	6100631	4	THRUST COLLAR	
63	107120701	1	CYLINDER HEAD	C3
63	6100907	1	HEAD CYLINDER	
65	2201854	1	COVER F. OIL RESERVOIR	
66	2200285	1	OIL CONTAINER	
67	3000361	1	WASHER COBBER 27X21X1.5	
68	6160610	1	SOCKET FOR OILGLASS	
70	107140321	4	SPACER FOR OIL SEAL 03 PUMP D31	
A1	1119570	1	GASKETS C3 REP.KIT	C3
B1	1119571	1	GASKETS REDUCED REP.KIT	C3

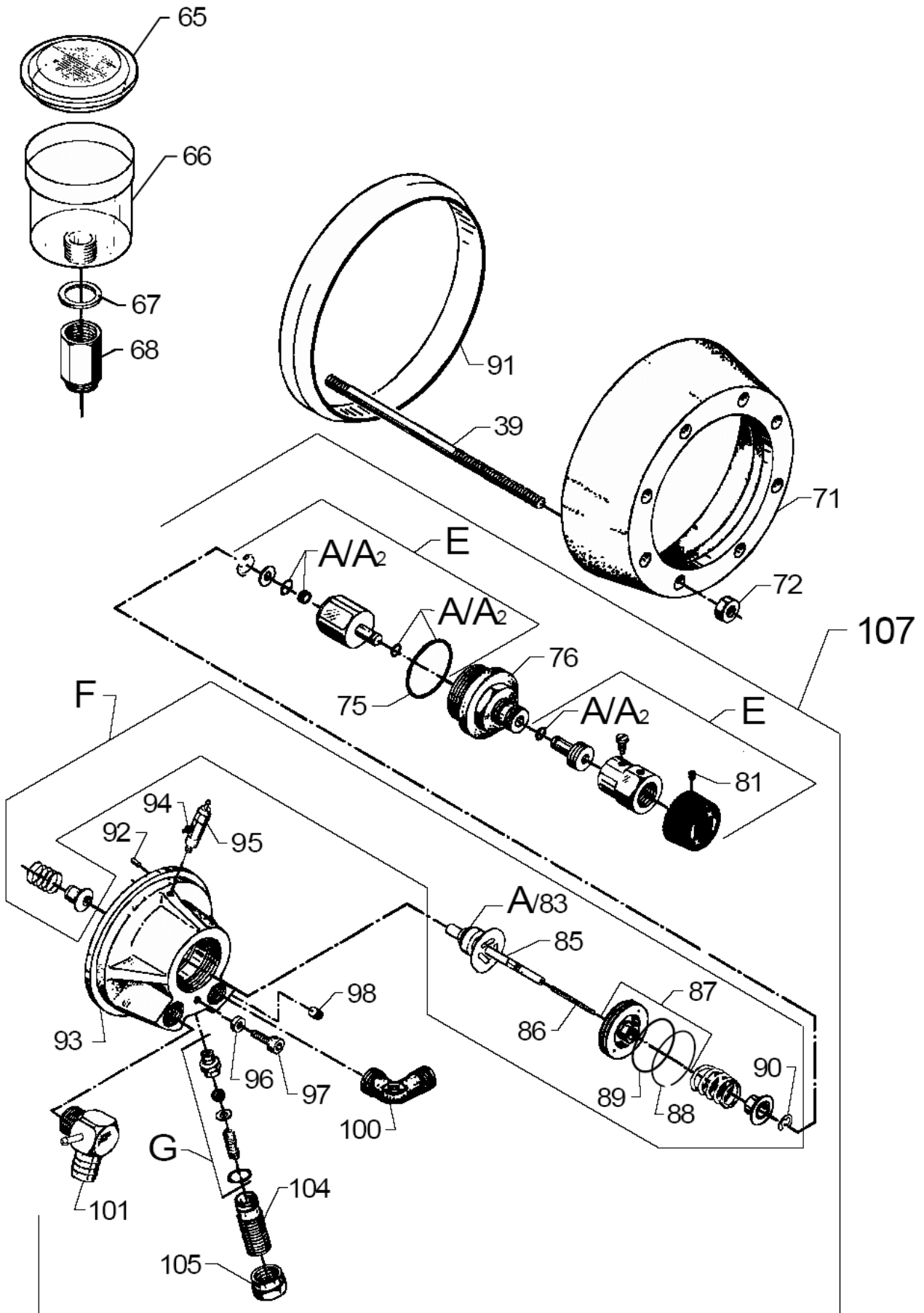
Motor pump unit (c)

03VS

05-04-2015

Part List ID 03VS22

23



Motor pump unit (c)

03VS

05-04-2015

Part List ID

03VSZ2

24

Pos	Part no.	Qty	Description
E	1118538	1	REP.KIT ADJUSTING VALVE
F	1118580	1	REP.KIT BY-PASS VALVE AUTO S/S
G	1118512	1	SAFETY VALVE REP.KIT
71	6100602	1	RETAINING RING
72	1800465	8	NUT M10 DIN 934
75	3001179	1	O-RING 39.6X2.4 NITRIL 70 SH
76	6100984	1	BUSHING F.AJUSTMENT SPINDLE
81	1802602	1	CRATER-POINT SCREW M4X6
83	3000460	1	O-RING 11.0X2.0 NITRIL 70SH
85	6400143	1	VALVE CONE
86	2600286	1	SPRING DM-2.9
87	6100925	1	PISTON F. BY-PASS VALVE
88	6101061	1	PISTONRING
89	3001716	1	O-RING 35.1x1.6 SMS 1586 NBR70
90	6101069	1	SAFETY DISK
91	6301392	1	RING FOR MOTOR-PUMP C3
92	6100996	1	GUIDE PIN
93	6101042	1	VALVE COVER
94	1821	1	FITTING XGE 6LR1/8
95	6221552	1	VENTING VALVE COMPLETE
96	6100985	1	LOCK WASHER
97	3913	1	SCREW M6X12
98	1602333	1	PLUG G1/8 DIN906 CuZn
100	1600444	1	ANGLE 12 X 3/8 See "Outlet for Coil, compl."
101	6220681	1	ELBOW
104	6100940	1	ADJUSTMENT SCREW
105	6100928	1	LOCK NUT
107	6220595	1	BY-PASS VALVE COMPL.

Fan, compl.

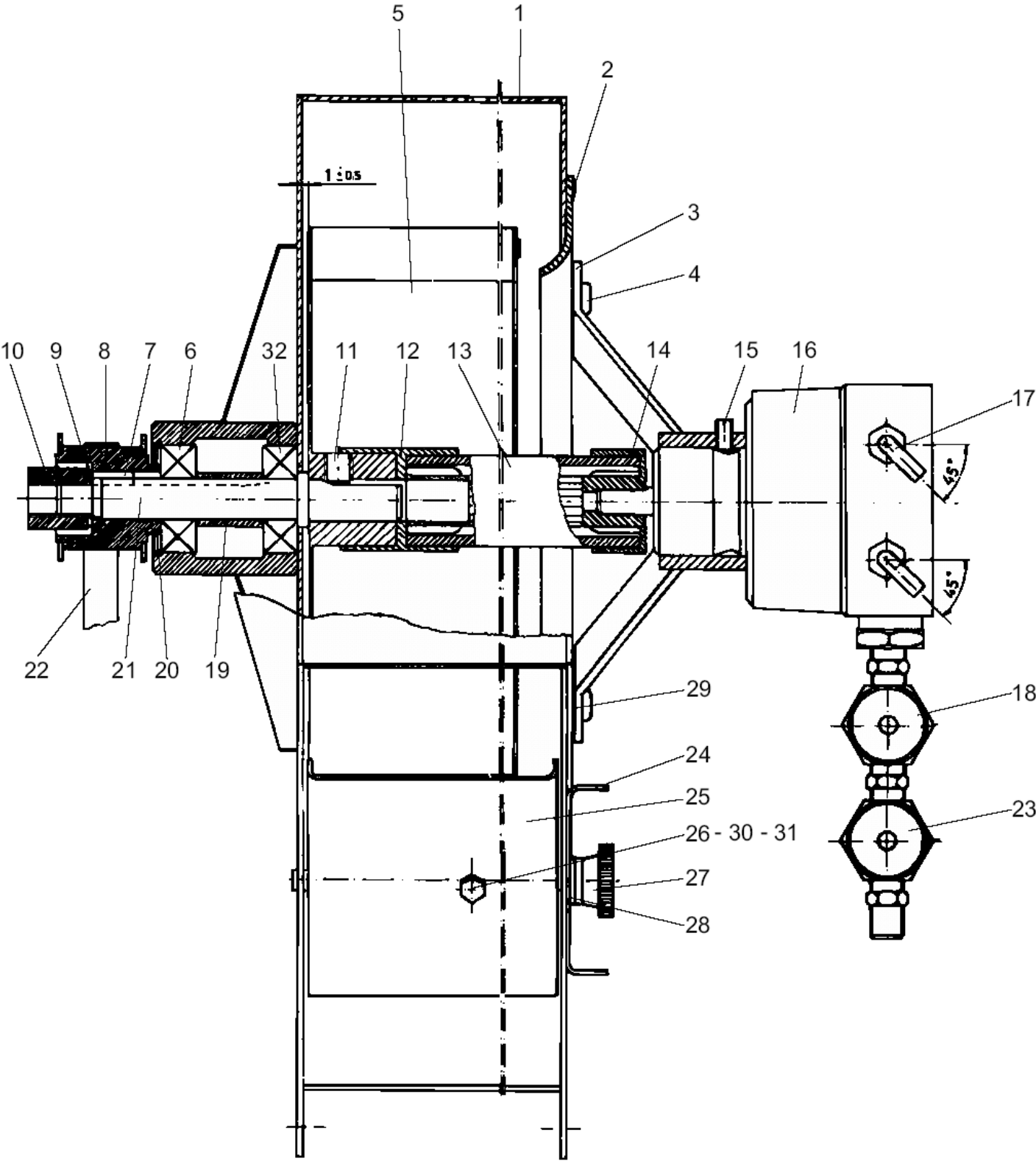
03VS

05-04-2015

Part List ID

03VS24

25



Fan, compl.

03VS

05-04-2015

Part List ID
03VS24

26

Pos	Part no.	Qty	Description
1	6221455	1	FAN HOUSING
2	6220403	1	INTAKE FUNNEL
3	6200458	1	OIL PUMP BRACKET
4	1802586	4	FITTING SCREW M4X12
5	6228457	1	IMPELLER Ø160X85
6	3200680	1	BALL BEARING 6201 2 RS
7	3200995	1	KEY 4X4X12
8	6200469	1	PULLEY. COMPLETE
9	1800309	1	LOCK WASHER
10	6200436	1	NUT M10
11	1800325	1	CRATER-POINT SCREW M8X10 DIN 916
12	3800984	1	COUPLING
13	6220404	1	COUPLING HOSE (L=95)
14	3800992	1	COUPLING
15	1801091	1	CYLINDER SCREW M5X10 ISO 4762 ST 8.8/ZN
16	101117977	1	FUEL PUMP COMPLETE 220V UP TO 26.07.92
16	101117978	1	FUEL PUMP COMPLETE 24V
16		1	REPAIR KIT
16	3812880	1	CABLE FOR OIL PUMP DANFOSS UP TO 26.07.92
16	3820305	1	COIL - SUNTEC (SUNTEC)
16	3821089	1	COIL WITH NUT AND WASHER (DANFOSS)
17	1604008	2	HOSE SOCKET
19	6200409	1	SPRING BUSH
20	6201402	1	SHAFT FOR FAN
21	1803477	1	SEEGER CIRCLIP
22	6220409	1	V-BELT 50HZ L 725X12MM
22	6220410	1	V-BELT 60HZ L 705X12MM (SPG, U)
23	6220456	1	REGULATING CYLINDER COMPL. See "Regulating cylinder"
28	1804152	1	WASHER M5
29	1810308	4	STAR WASHER M4 INTERN.TOOTHING
30	1800887	1	WASHER M4
31	1800127	1	LOCK NUT M4 8.8 A2K DIN 985
32	3201019	1	BALL BEARING

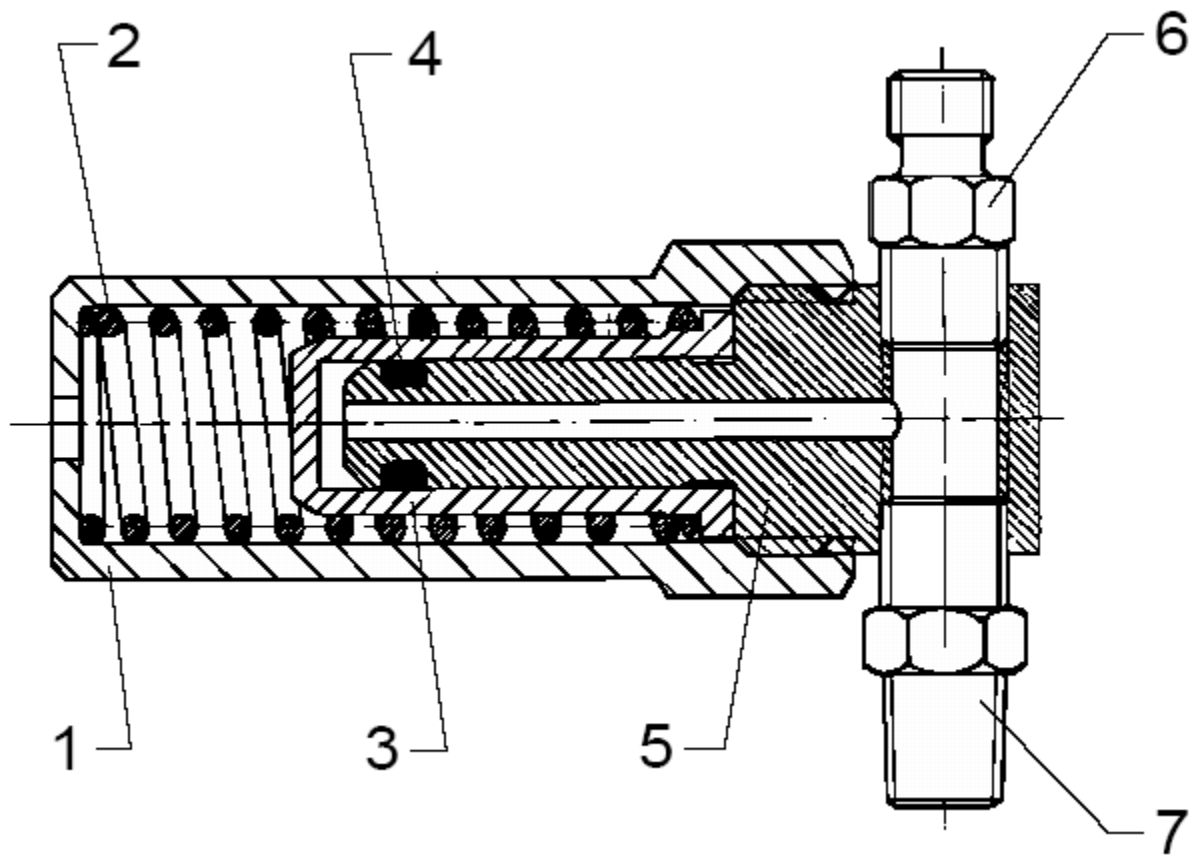
Regulating cylinder

03VS

05-04-2015

Part List ID 03VS26

27



Regulating cylinder

03VS

05-04-2015

Part List ID

03VSz26

28

Pos	Part no.	Qty	Description
1	6220406	1	CAP
2	2600476	1	SPRING
3	6220405	1	CYLINDER
4	3001633	1	O-RING 5.3X2.4 70SH
5	6220407	1	PISTON
6	1603422	1	THREADED CONNECTION
7	1604032	1	SCREWED CONNECTION
23	6220456	1	REGULATING CYLINDER COMPL.

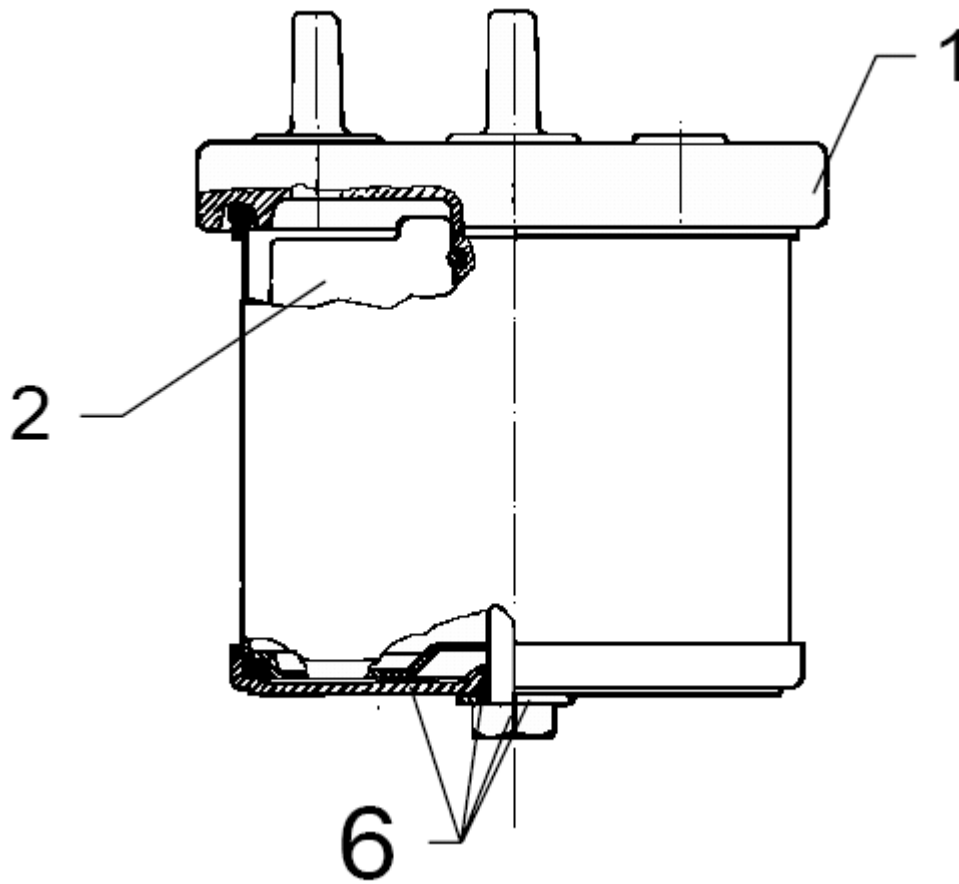
Fuel filter, compl..

03VS

05-04-2015

Part List ID 03VS28

29



Fuel filter, compl..

03VS

05-04-2015

Part List ID
03VSZ28

30

Pos	Part no.	Qty	Description
1	6200445	1	FILTER CAP
2	1604248	1	OIL FILTER
6	1119301	1	REPKIT.BOTTOM SEC. OIL FILTER
80	6200466	1	FUEL FILTER COMP.

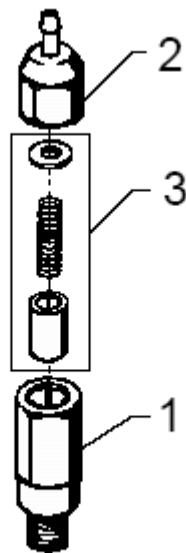
Venting valve

03VS

05-04-2015

Part List ID 03VS30

31



Venting valve

03VS

05-04-2015

Part List ID

03VS30

32

Pos	Part no.	Qty	Description
1	6221526	1	HOUSING FOR VENTING VALVE
2	6221529	1	COVER FOR VALVE HOUSING
3	1119317	1	VENTING VALVE REP.KIT
5	6221552	1	VENTING VALVE COMPLETE

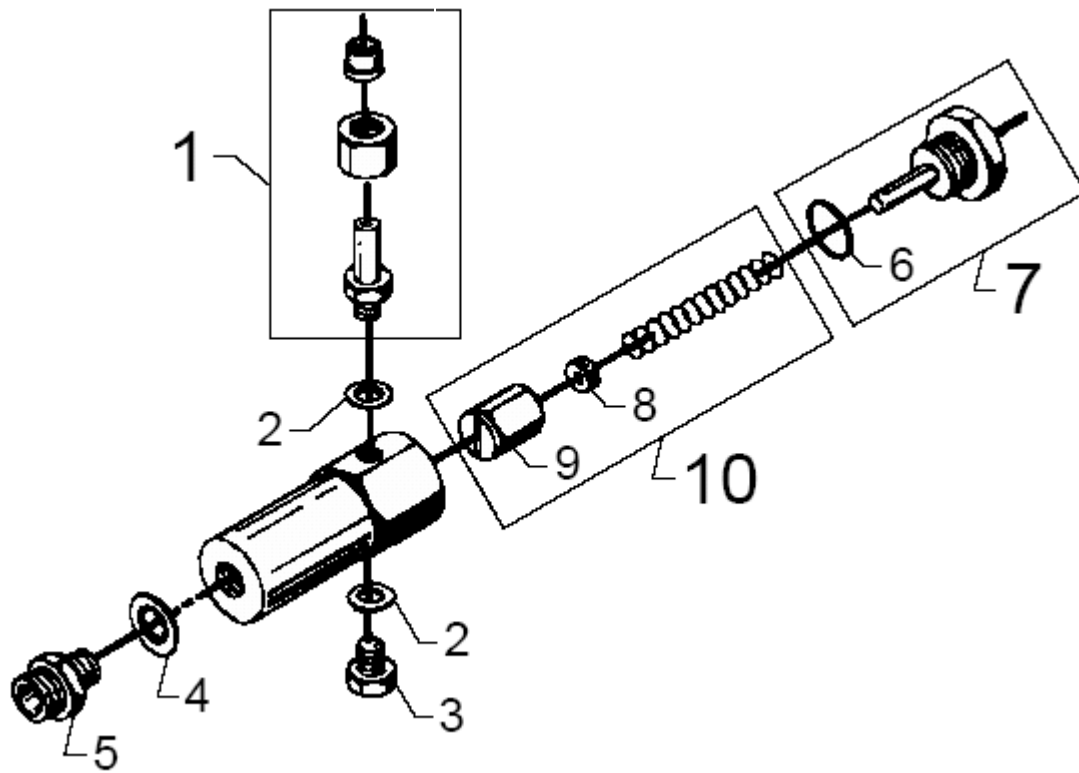
Flow control (Boiler)

03VS

05-04-2015

Part List ID 03VS32

33



Flow control (Boiler)

03VS

05-04-2015

Part List ID

03VS32

34

Pos	Part no.	Qty	Description
1	6200558	1	THREADED CONNECTION COMP.
2	1803493	2	PACKING RING Ø 20.57XØ 13
3	6200529	1	DRAIN SCREW
4	1801075	1	PACKING RING 23.8X17.2X2 3/8 INCH St-NBR
5	1601079	1	THREADED CONNECTION
6	3000825	1	O-RING 20.24X2.62 NITRIL 70SH
7	6221773	1	REED SWITCH WITH O-RING
8	1803485	1	RING MAGNET 14X5.2X9
9	6200554	1	PISTON COMP.
10	1119701	1	FLOW SWITCH REP.KIT
41	6228551	1	FLOW SWITCH COMPL.

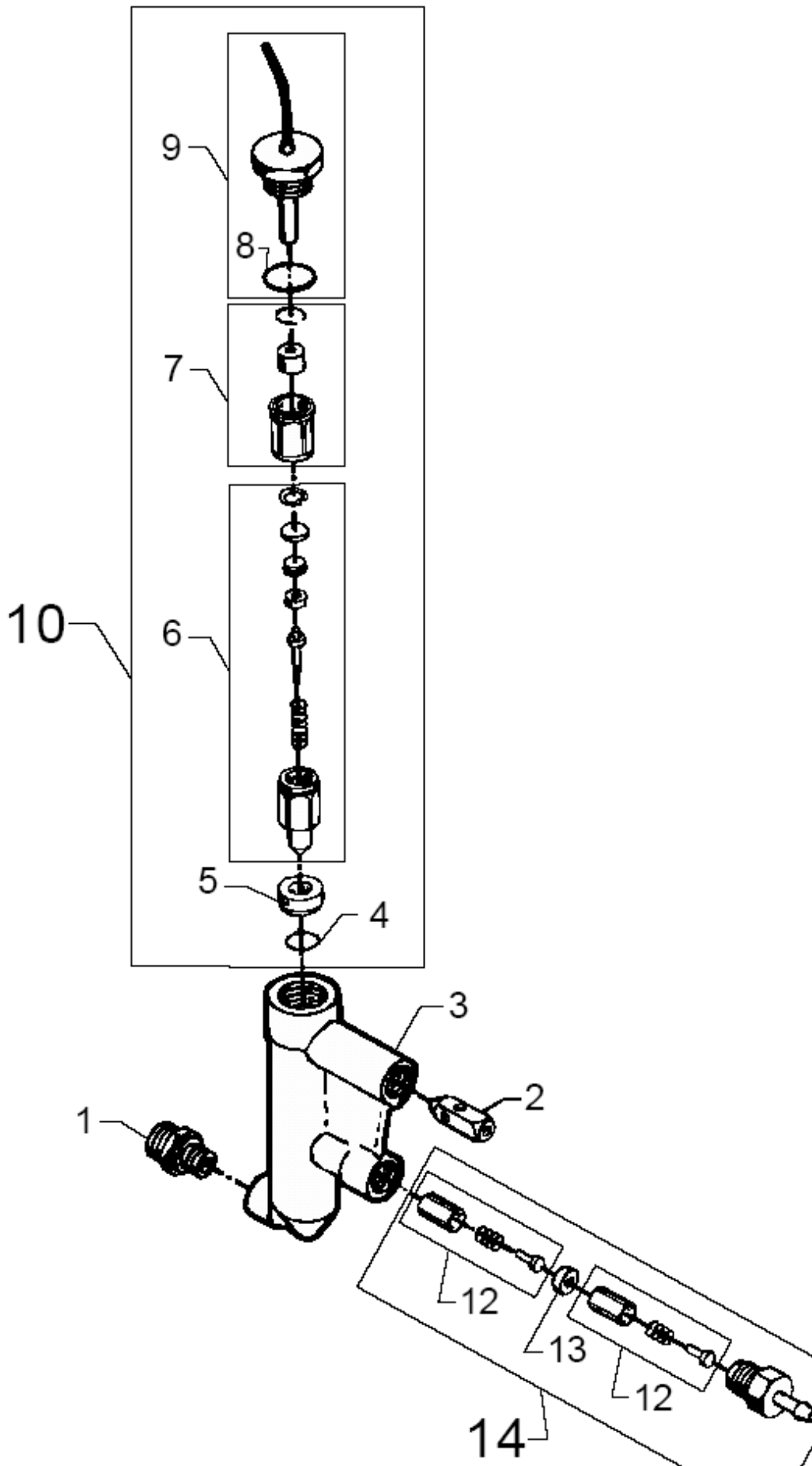
Flow control, compl. (a)

03VS

05-04-2015

Part List ID 03VS34

35



Flow control, compl. (a)

03VS

05-04-2015

Part List ID

03VS34

36

Pos	Part no.	Qty	Description
1	1602770	1	THREADED CONNECTION 12X1/4 INCH
2	6101038	1	PISTON
3	6201545	1	HOUSING F. FLOW SWITCH
4	3001112	1	O-RING 10.0X3.0 NITRIL 70SH
5	6201534	1	SEAT
6	6350463	1	NON-RETURN VALVE COMPL.
7	6350454	1	PISTON
8	3000825	1	O-RING 20.24X2.62 NITRIL 70SH
9	6221773	1	REED SWITCH WITH O-RING
10	1119319	1	FLOW SWITCH REP.KIT
12	1119566	2	NON RETURN VALVE REP.KIT
13	6201535	1	SEAT
14	1119318	1	NON RETURN VALVE REP.KIT
42	6221557	1	FLOWCONTROL FOR PUMP

Flow control, compl. (b)

03VS

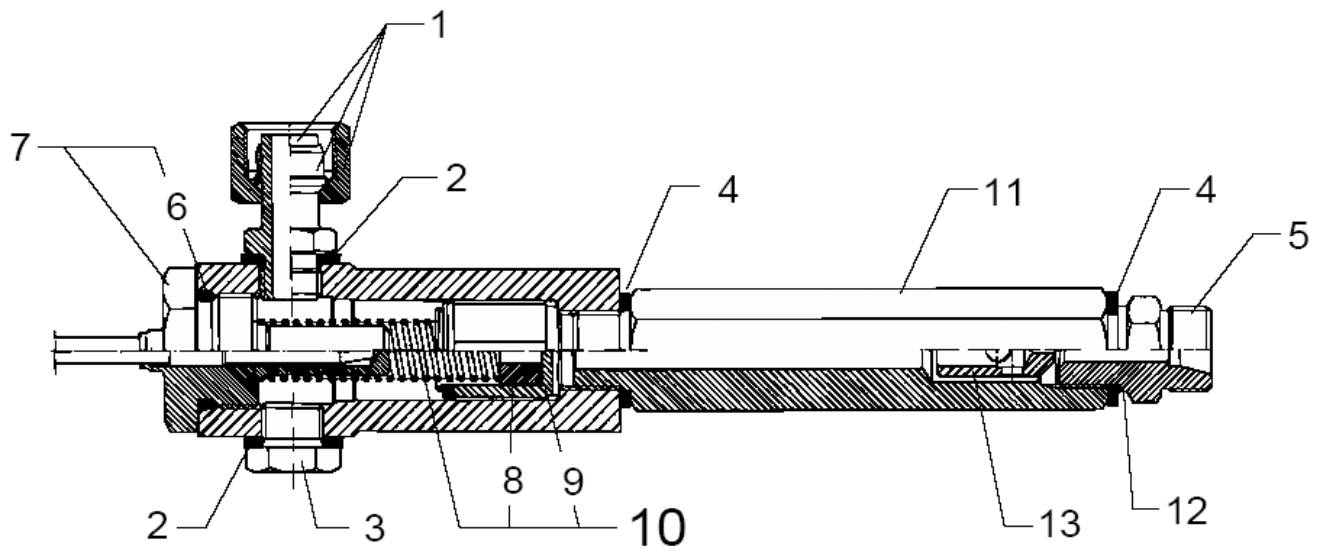
05-04-2015

Part List ID 03VS36

37

41

⇒ 26.07.92 |



Flow control, compl. (b)

03VS

05-04-2015

Part List ID
03VS36

38

Pos	Part no.	Qty	Description
1	6200558	1	THREADED CONNECTION COMP.
2	1803493	2	PACKING RING Ø 20.57XØ 13
3	6200529	1	DRAIN SCREW
4	1801075	2	PACKING RING 23.8X17.2X2 3/8 INCH St-NBR
5	1601079	1	THREADED CONNECTION
6	3000825	1	O-RING 20.24X2.62 NITRIL 70SH
7	6221773	1	REED SWITCH WITH O-RING
8	1803485	1	RING MAGNET 14X5.2X9
9	6200554	1	PISTON COMP.
10	1119701	1	FLOW SWITCH REP.KIT
11	6221257	1	HOUSE FOR NON-RETURN VALVE
12	3000064	1	O-RING 14.1X1.6 NITRIL 70SH
13	6101038	1	PISTON

Flow switch, compl.

03VS

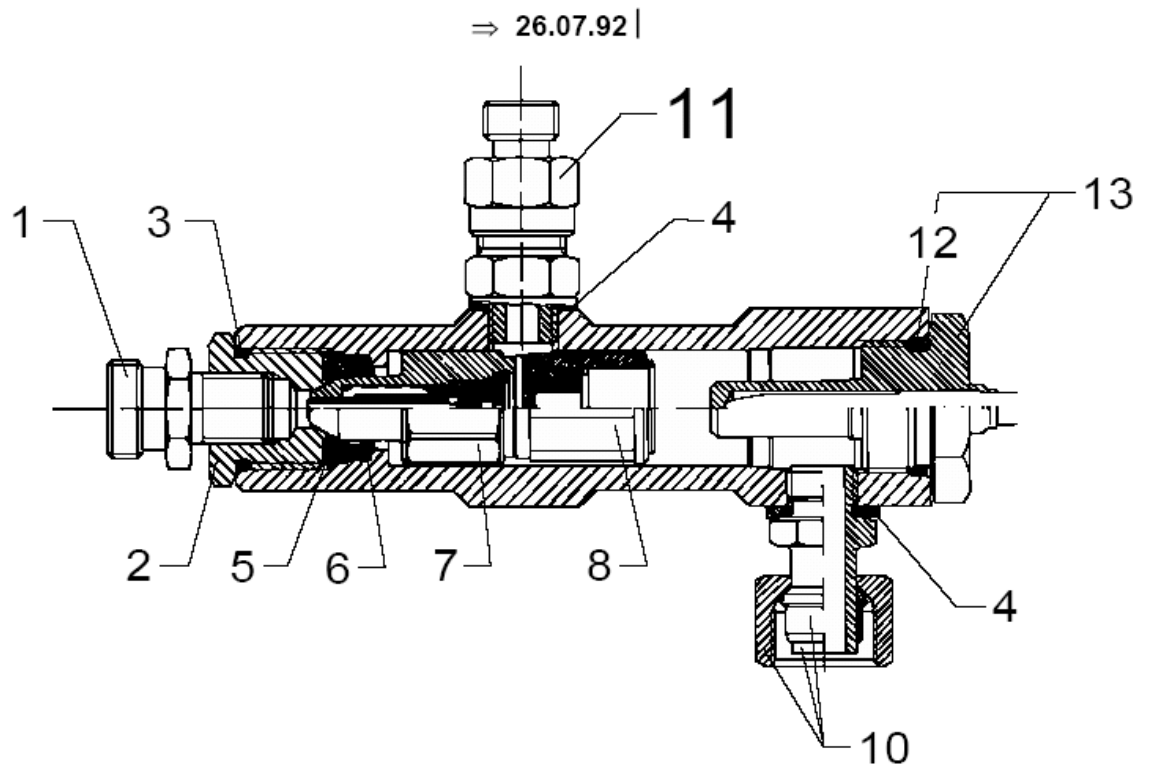
05-04-2015

Part List ID

03VS38

39

42



Flow switch, compl.

03VS

05-04-2015

Part List ID
03VS38

40

Pos	Part no.	Qty	Description
1	1603077	1	THREADED CONNECTION
2	6300438	1	UNION NUT
3	3000262	1	O-RING 18.0X2.0 DIN 3770 NBR70
4	1803493	2	PACKING RING Ø 20.57X Ø 13
5	3001112	1	O-RING 10.0X3.0 NITRIL 70SH
6	6350625	1	BUSHING F. O-RING
7	6350463	1	NON-RETURN VALVE COMPL.
8	6350454	1	PISTON
10	6200558	1	THREADED CONNECTION COMP.
11	6350452	1	NON RETURN VALVE RIGHT KSA
12	3000825	1	O-RING 20.24X2.62 NITRIL 70SH
13	1602325	1	PLUG 1/4 INCH FROM 11.09.92
13	6221773	1	REED SWITCH WITH O-RING

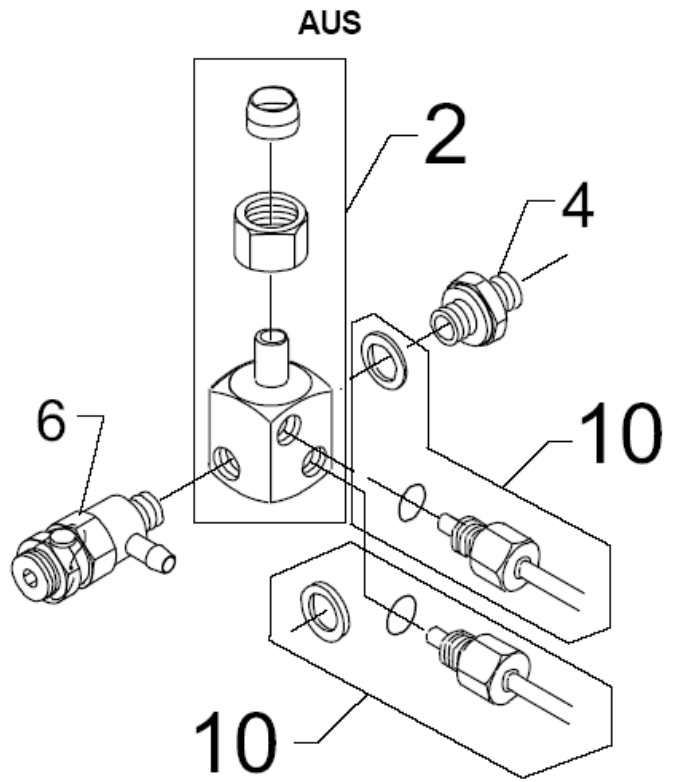
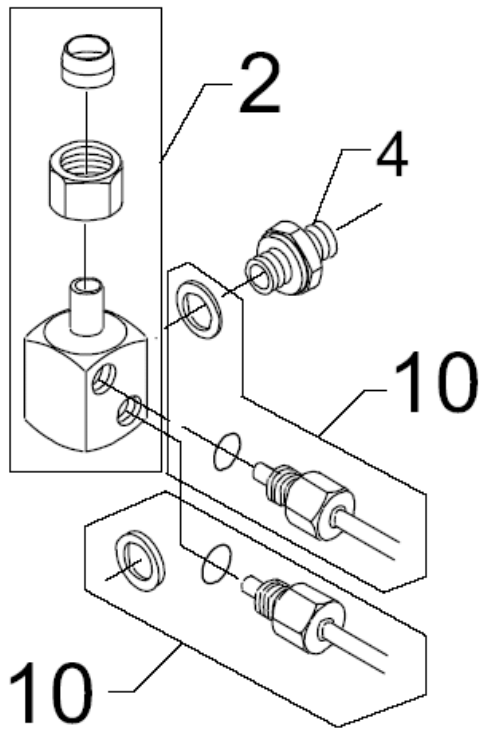
Outlet for Coil, compl.

03VS

05-04-2015

Part List ID 03VS40

41



Outlet for Coil, compl.

03VS

05-04-2015

Part List ID
03VS40

42

Pos	Part no.	Qty	Description	
2	6200381	1	OUTLET FOR COIL ELBOW	
2	6220368	1	OUTLET FOR COIL ELBOW	AUS
4	1601079	1	THREADED CONNECTION	AUS
6	6220584	1	SAFETY VALVE COMPL. 250 BAR	AUS
10	1119011	2	ELBOW OUTLET F.COIL REP.KIT	AUS

Boiler compl.

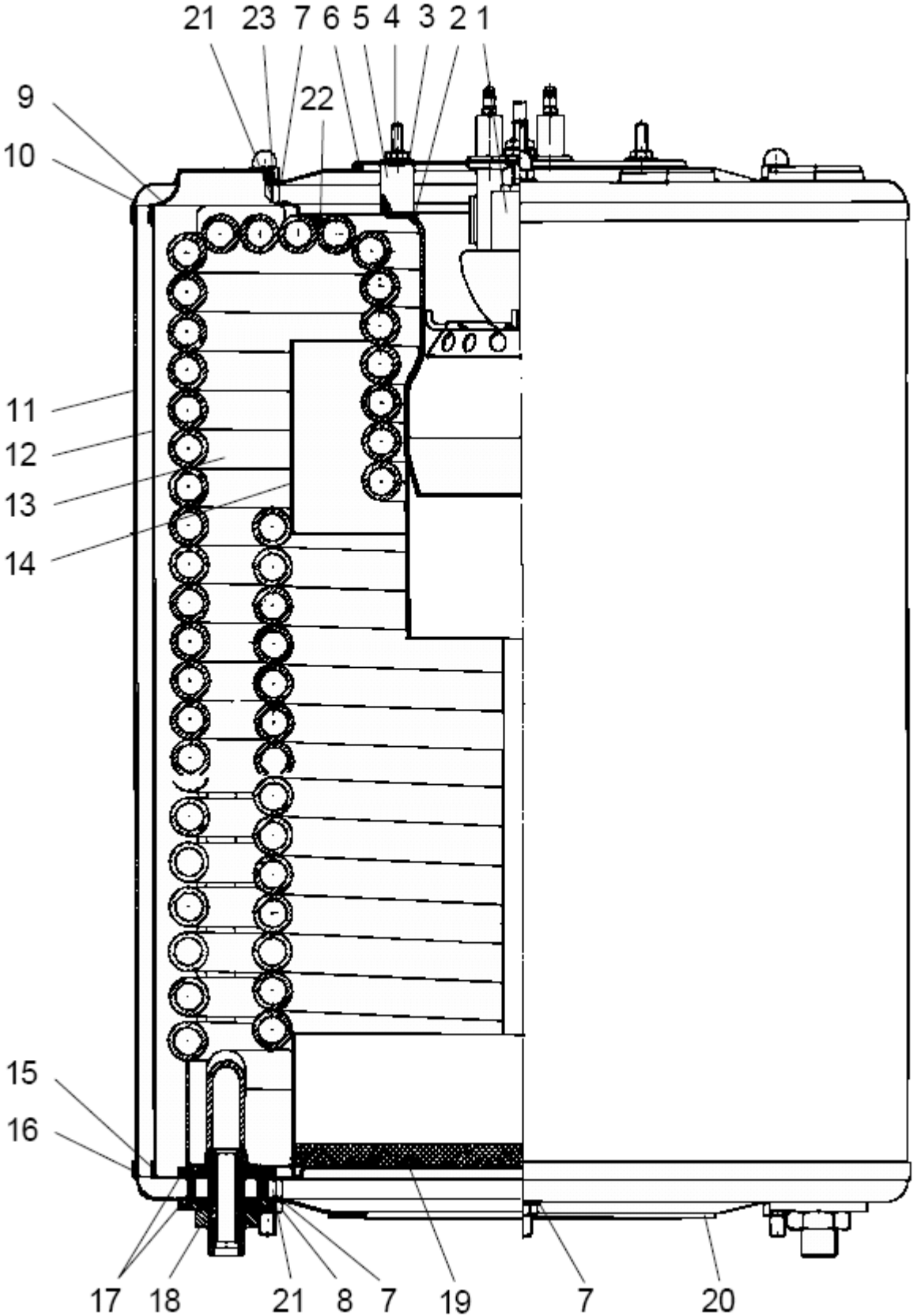
03VS

05-04-2015

Part List ID

03VS42

43



Boiler compl.

03VS

05-04-2015

Part List ID

03VS42

44

Pos	Part no.	Qty	Description
3	1800440	3	WASHER -1101320 -1103440
4	1800705	3	NUT M6 ISO 4032
5	6200281	3	SPACING PIECE
6	3001104	1	O-RING 164.3 X 3.0 SMS
7	1800796	7	WASHER M8
8	2758	3	HEXAGON NUT M8
9	6200354	1	BOILER TOP. INSIDE
x	6220354	1	BURNER PIPE
10	6200250	1	BOILER TOP. OUTSIDE
11	6220257	1	OUTSIDE BOILER
12	6220258	1	INNER BOILER
13	6220393	1	COIL
14	6220351	1	FLAME TUBE
15	6200253	1	BOILER BOTTOM. INSIDE
15		1	NOTE COMMENT
16	6200355	1	BOILER BOTTOM. OUTSIDE
17	6200273	4	WASHER
18	1803220	2	HEXAGON NUT M18X1.5 ISO 8675 ZN
19	6240257	1	CERAMIC BOILER INSULATION
20	6200282	1	GASKET FOR BOILER
21	6200286	6	BOILER NUT
22	6200299	1	PACKING CORD
23	1807528	3	NUT M8. STAINLESS

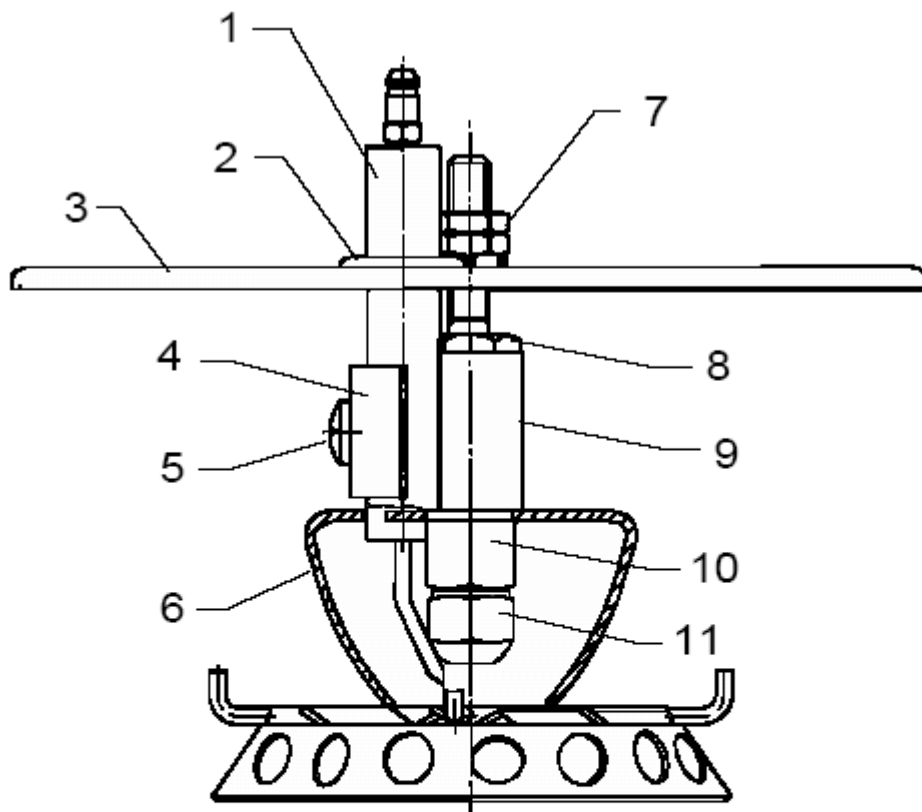
Air distributor, compl.

03VS

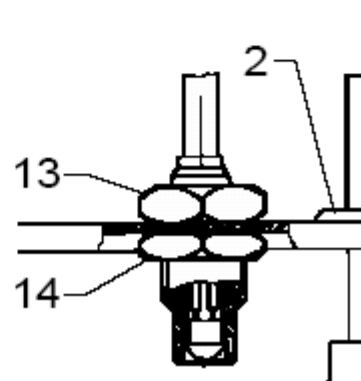
05-04-2015

Part List ID 03VS44

45



12



Air distributor, compl.

03VS

05-04-2015

Part List ID

03VS44

46

Pos	Part no.	Qty	Description	
1	1119303	2	ELECTRODE SHORT REP.KIT	UP TO 05.07.87
1	6200326	2	IGNITION ELECTRODE LONG	
1	6200377	1	AIR DISTRIBUTOR	
2	3001427	2	CABLE GLAND	
3	6200373	1	COVER- AIR DISTRIBUTOR W. SENS	
4	6200260	1	CLAMP FOR ELECTRODE	
5	1801273	1	SCREW M6 X 12	
6	6200365	1	AIR DISTRIBUTOR	
7	1803402	1	LOCK NUT M8X1	
8	6200296	1	NUT FOR NOZZLE HOLDER	
9	6200297	1	HOLDER F. ELECTRODE	
10	6220250	1	NOZZLE HOLDER	
11	2800142	1	OIL ATOMIZER 2.75GAL/H 60DG S	9,0 KG 60 GR. S
13	6200301	1	SENSOR F. FLAMECONTROL	
14	1803535	1	NUT	1/4"15

Water tank, compl.

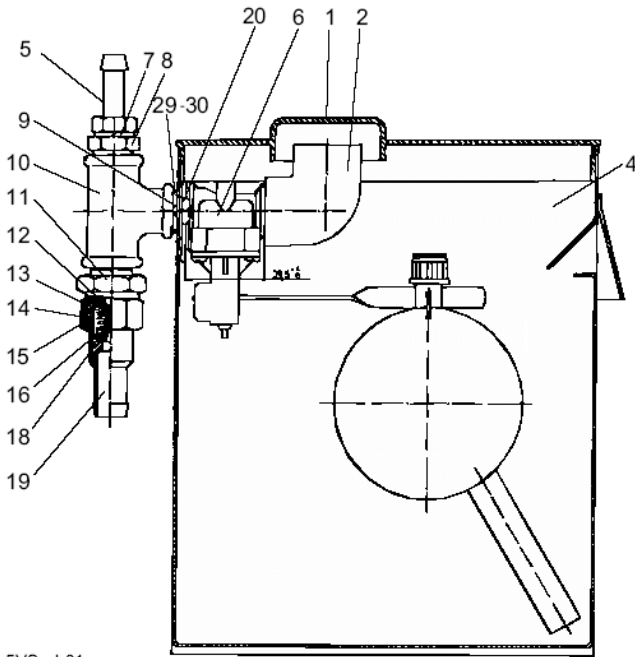
03VS

05-04-2015

Part List ID
03VS46

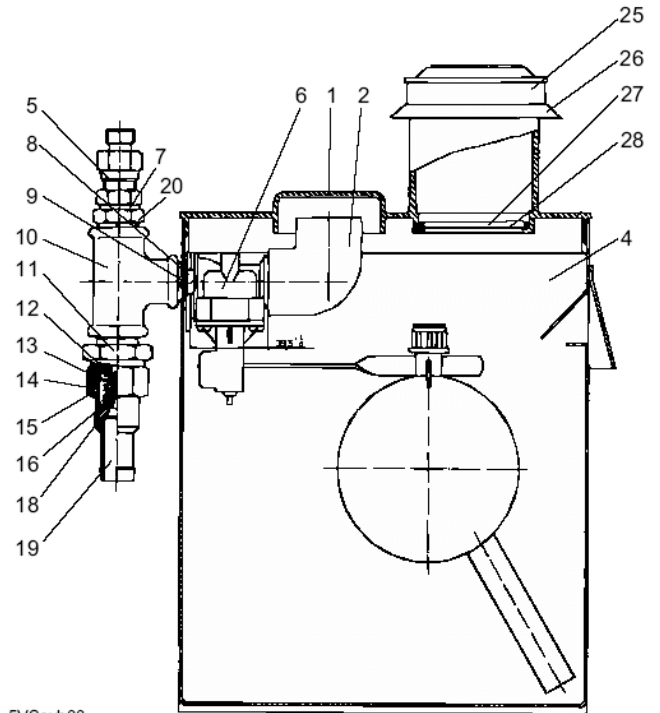
47

| 27.07.92 ⇒



5VSsvh01

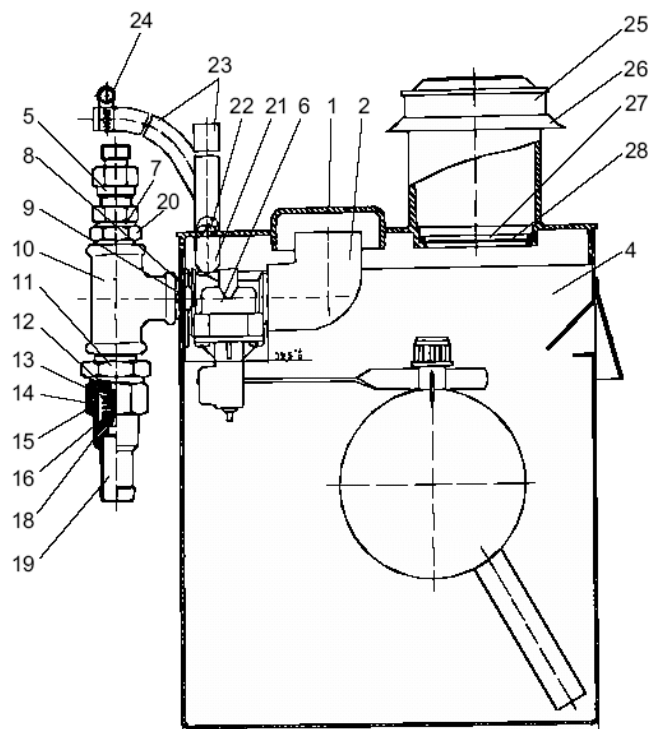
⇒ 26.07.92 |



5VSsvh00

'Water tank, compl.

(Aus)



5VSsvAU0

Water tank, compl.

03VS

05-04-2015

Part List ID
03VS46

48

Pos	Part no.	Qty	Description	
1	6200589	1	LID F/FLOAT CHAMBER	UP TO 26.07.92
1	6200630	1	COVER FOR WATER TANK	UP TO 07.03.88
2	1605971	1	90DG ANGLE	
3	1800606	2	SCREW CROSS M4X10 FZB DIN7985	
4	6200625	1	CARBURETTOR FLOAT CHAMBER	UP TO 07.03.88
4	6200626	1	FLOAT CHAMBER	
5	6350451	1	NON RETURN VALVE LEFT KSA	UP TO 26.07.92
6	1117035	1	FLOAT VALVE	
7	1803493	1	PACKING RING Ø 20.57X Ø 13	UP TO 26.07.92
8	3001724	1	GASKET 20X26X1	
9	1802891	2	SCREW M4X12	
12	6100623	1	VALVE GUIDE SUCTION	
13	2600245	1	SPRING PRESSURE	
14	6350367	1	GASKET	
15	6350364	1	UNION NUT	
16	6100620	1	PISTON	
17	1600527	1	HOSE SOCKET Ø6.5X1/4 INCH	FROM 27.07.92
18	6105345	1	VALVE SEAT F. SUCTION VALVE	
20	1601624	1	BUSHING 1/2X1/4	
22	1804699	1	SCREW M5 X 6 ISO 7045 ZN	(AUS)
23	4973	1	HOSE Ø6X3	(AUS) * SEE NOTE
24	8298	1	HOSE CLIP 16-27	(AUS)
25	2201854	1	COVER F. OIL RESERVOIR	(AUS) UP TO 26.07.92
26	6200590	1	SLEEVE	(AUS) UP TO 26.07.92
27	6200662	1	CLAMPING RING	(AUS) UP TO 26.07.92
28	6200661	1	STRAINER	(AUS) UP TO 26.07.92
29	6401460	1	THREADED CONNECTION	
30	3001435	1	RUBBER SEAL	

* NOTE: PLS. INDICATE LENGTH IN METRES!

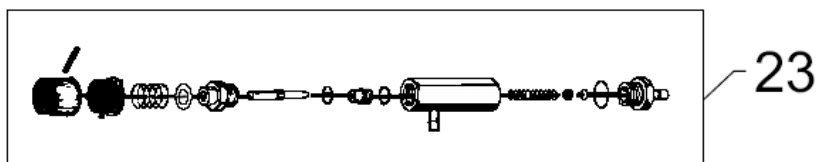
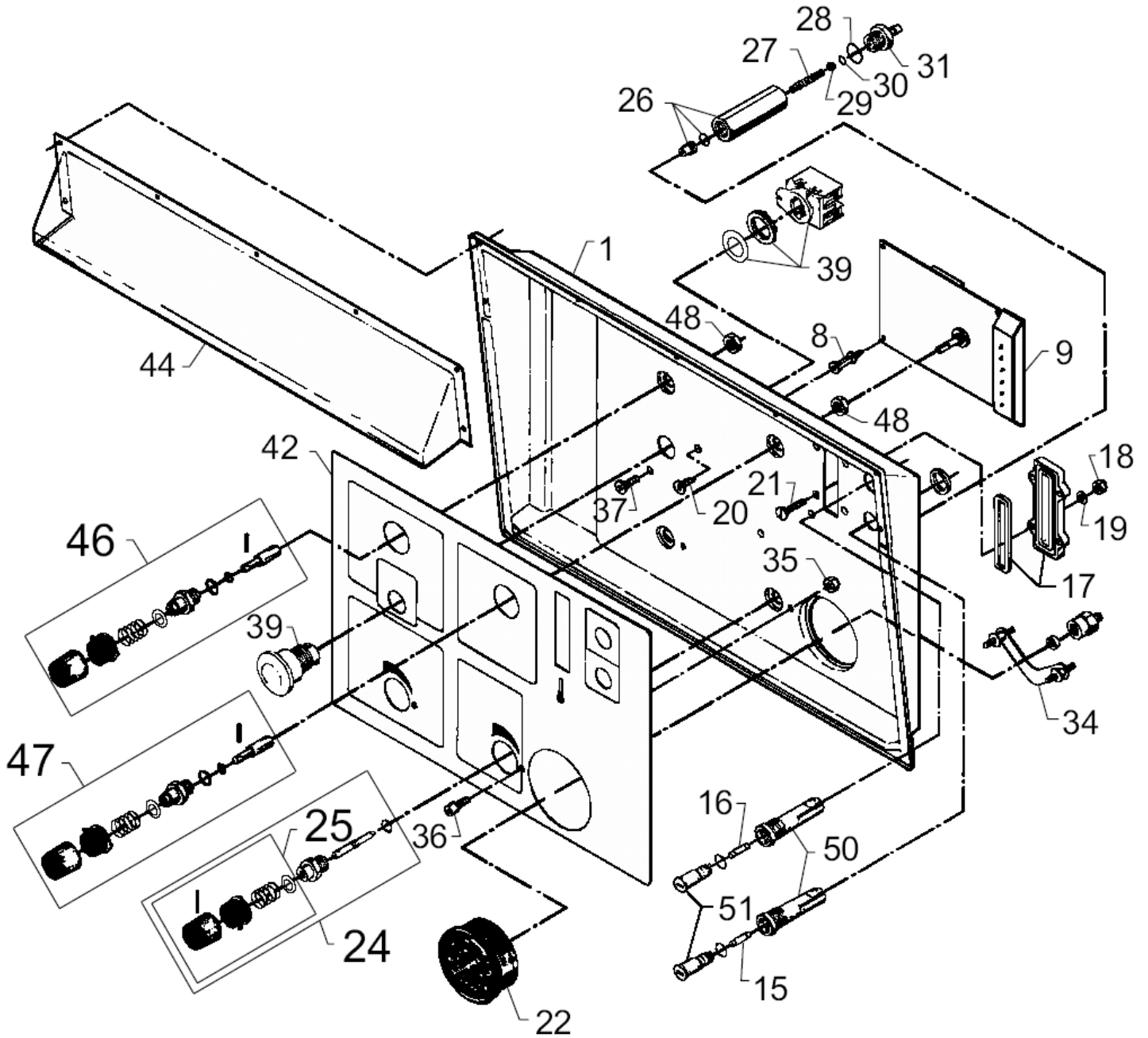
Control panel, mount.

03VS

05-04-2015

Part List ID
03VS48

49



Control panel, mount.

03VS

05-04-2015

Part List ID
03VS48

50

Pos	Part no.	Qty	Description	
9	6420001	1	EL.CONTROL UNIT W.PT500	UP TO 26.07.92
9	6420009	1	CIRCUIT BOARD FLAME CONTROL	FROM 27.07.92
15	3802246	1	FUSE Ø5X20 1.6A 250V	FROM 27.07.92 1.6A 250V
16	3808185	1	FUSE 250V 0.25A	UP TO 26.07.92 250MA 250 V
17	6200729	1	INSPECTION GLASS F.THERMONETER	
18	2759	4	HEXAGON NUT M4	
19	1800887	4	WASHER M4	
22	3600301	1	PRESSURE GAUGE	
23	6221554	2	DOSINGVALVE COMP.	
24	6200561	2	REGULATING OF WATER CAPACITY	
25	6008041	2	VALVE HANDLE COMP.	
26	6220556	1	HOUSING CHEMICAL VALVE	
27	2600633	1	SPRING F. DOSING VALVE	
28	3000064	2	O-RING 14.1X1.6 NITRIL 70SH	
29	3400447	1	BALL 5/16 KL.3	
30	3000296	1	O-RING 7.1 X 1.6 DIN 3770 NBR70	
31	3400512	1	HOSE TAIL	
34	1808088	1	CLAMP FOR PRESSURE GAUGE	
35	2759	2	HEXAGON NUT M4	
36	1801018	2	CYLINDER SCREW M4X8 ISO 4762 ST 8.8/ZN	
39	3807799	1	EMERGENCY STOP. RACO	
46	1117399	1	START/STOP BUTTON COMPL.	
47	1117381	1	ADJUSTING KNOB COMPL.	
48	1803535	2	NUT	
52	6100100	1	PIN	
53	4000287	1	HANDLE RED	
54	4000303	1	INDICATOR RED	

Electrical parts from 27.02.92

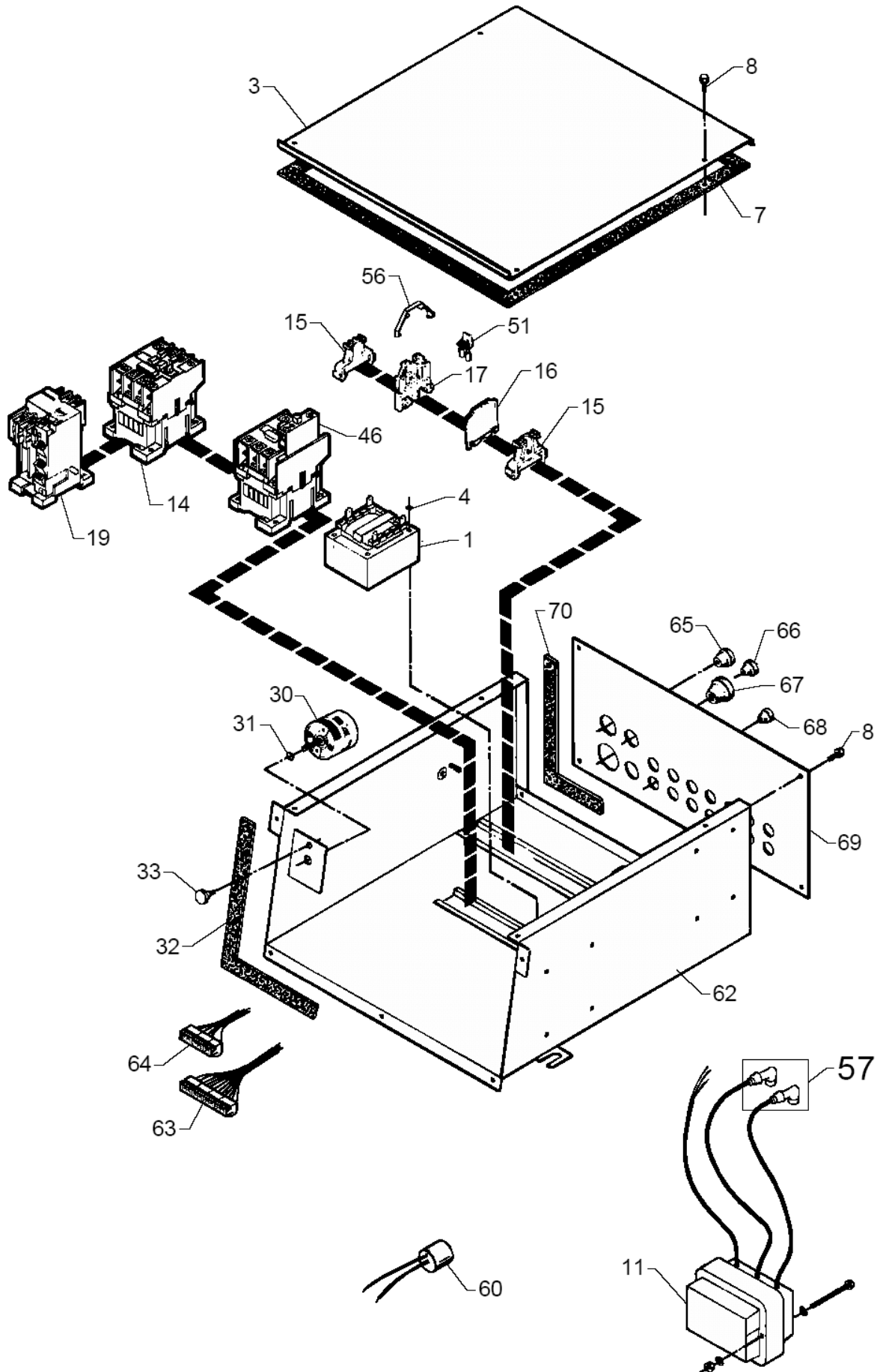
03VS

05-04-2015

Part List ID
03VS50

51

| 27.07.92 ⇒



Electrical parts from 27.02.92

03VS

05-04-2015

Part List ID
03VSS0

52

Pos	Part no.	Qty	Description	
1	3821148	1	STEERING TRANSFORMER 24V/220V	24V / 220V, I, B, N
1	3821149	1	STEERING TRANSFORMER 24V/	24V / 380V
1	3821150	1	STEERING TRANSFORMER 24AT	24V / 415V, GB
1	3821151	1	STEERING TRANSFORMER 24AT	24V / 440-480V, SGP, U
8	1803543	9	SCREW M4X10	
11	3805447	1	IGNITION TRANSFORMER	3X380V
11	3805454	1	IGNITION TRANSFORMER 220V	3X220V, I, B, N
11	3808441	1	IGNITION TRANSFORMER 50-6	3X427V, GB
14	103822306	3	CONTACTOR CJX2-D18 18A 24V 3P+NO	CA3-16-10, 24V, 50/60 HZ
14	103822317	1	CONTACTOR CJX2-D32 32A 24V 3P+NO	CA3-30-10, 24V, 50/60 HZ
15	3805249	1	END BRACKET	
16	3807526	2	ENDPLATE	
17	3807518	33	WIRE TERMINAL	
19	3807773	1	THERMOSTAT 2455RBV-117	
30	3810124	1	ROTARY SWITCH	
31	3000387	1	O-RING 3.1 X 1.6 SMS	
32	6200745	1	GASKET FOR FRONT PLATE	
33	6200802	1	SCREW	
46	103822307	1	CONTACTOR CJX2-D18 18A 24V 3P+NC	
51	3807534	1	BIPOLAR SPLICE	
56	3807542	6	COVER PLATE	
57	1119302	1	COVER F. SPARKING-PLUG REP.KIT	
65	3803780	1	GROMMET 10-14C	TET 10-14 C
66	3803772	2	CABLE GROMMET TET 7-10C	TET 7-10C
67	3803798	1	RUBBER SEAL 14-20C	TET 14-20 C
68	3803764	14	RUBBER SEAL TET 5-7C	TET 5-7 C
14A	3821748	1	AUXILIARY SWITCH AB 100-SB10	

Electrical parts up to 27.02.92

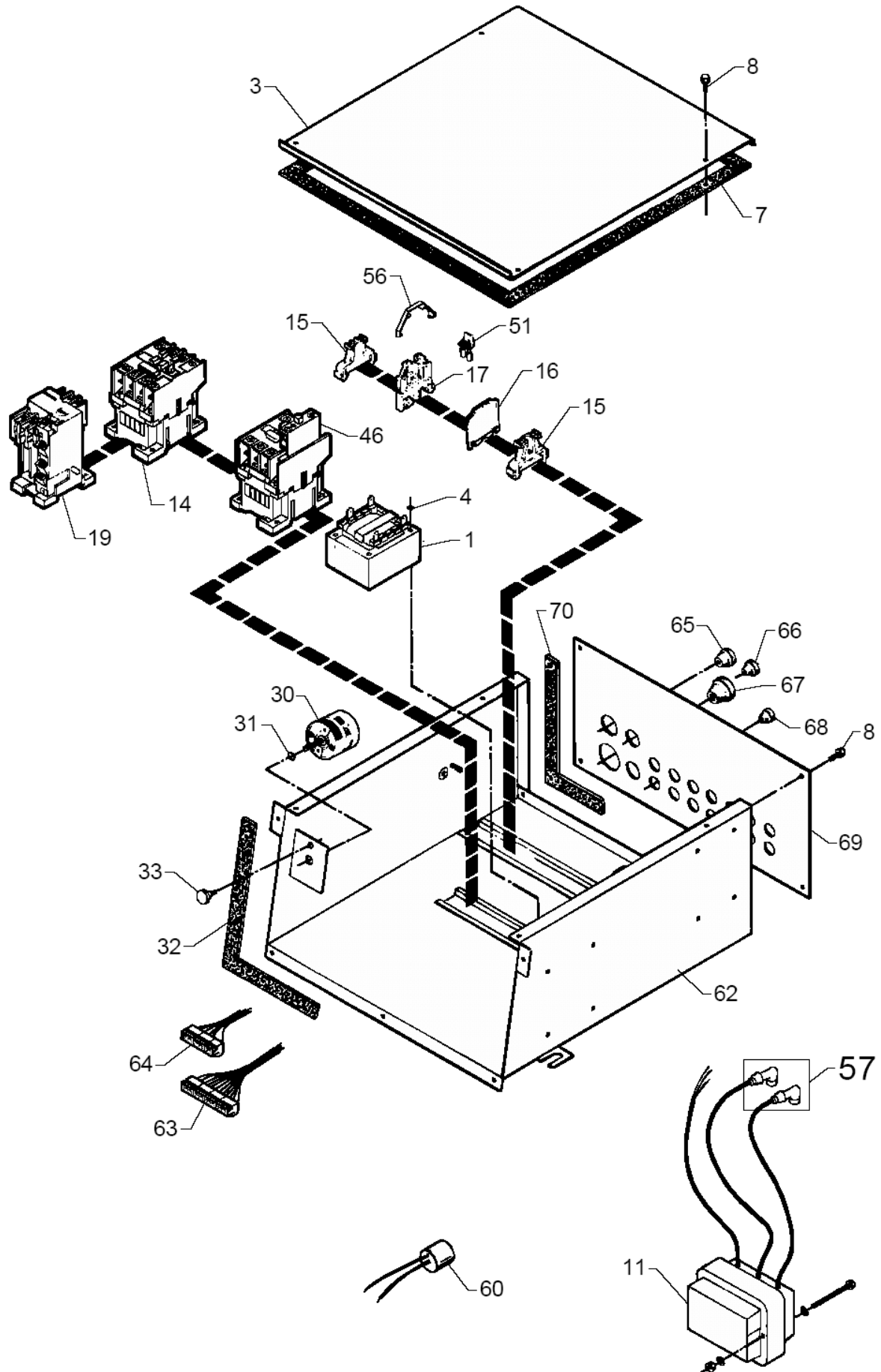
03VS

05-04-2015

Part List ID

03VS52

53



Electrical parts up to 27.02.92

03VS

05-04-2015

Part List ID
03VSSZ

54

Pos	Part no.	Qty	Description	
1		1	NOTE COMMENT	UP TO 27-07-1992
2	1800168	1	NUT M3	
3	1800391	4	CAP SCREW M4X6 ISO 7985 ZN	
4	1800887	4	WASHER M4	
5	1803329	12	CABLE BINDER BLACK	
8	3000585	1	O-RING 6.0X3.5	
9	3802246	2	FUSE Ø5X20 1.6A 250V	1.6 A, 250 V
10	3808185	1	FUSE 250V 0.25A	250MA, 250V , T 5120
11	3805967	2	FUSE	0,25 A, 250 V
12	3805587	1	FUSE 2 A 450V	2 A, 450MA, AUS, CH
13	3804200	2	CONTACTOR COMP. CA3-30-10	CA3-30-10
14	3804010	2	CONTACTOR COMPL. CA3-16-10	CA3-16-10
15	103822307	2	CONTACTOR CJX2-D18 18A 24V 3P+NC	CA3-16-01, AUS, CH
16	3805280	1	AUXILIARY SWITCH	CA3-P-H10
18	3805249	3	END BRACKET	
19	3805330	1	ADJUSTING SWITCH	
21	3808458	1	STEERING TRANSFORMER 50-6	415 V
26	3805447	1	IGNITION TRANSFORMER	380V
27	3805454	1	IGNITION TRANSFORMER 220V	D, (N, B, I, SGP 220V)
30	3808441	1	IGNITION TRANSFORMER 50-6	GB
31	3807518	1	WIRE TERMINAL	
32	3807906	3	TERMINAL STEIP WK4	
33	3806551	1	THERMAL RELAY ST3-16-11F	CT-16-11F
34	101119416	1	THERMAL RELAY CT3-32 REP.KIT	CT3-32
35	3807526	2	ENDPLATE	
36	3807534	1	BIPOLAR SPLICE	
37	3807542	3	COVER PLATE	
39	3807914	3	FUSE HOLDER	
40	6200802	1	SCREW	
42	6400125	1	CIRCUIT BOARD	220V/380V

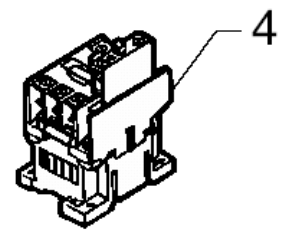
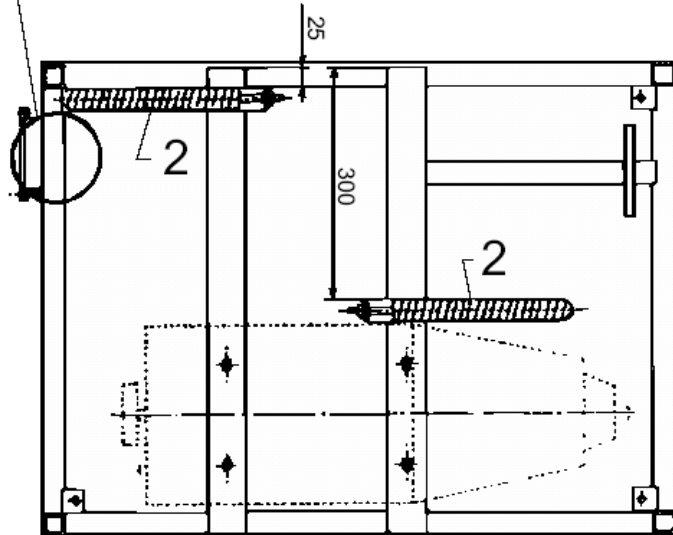
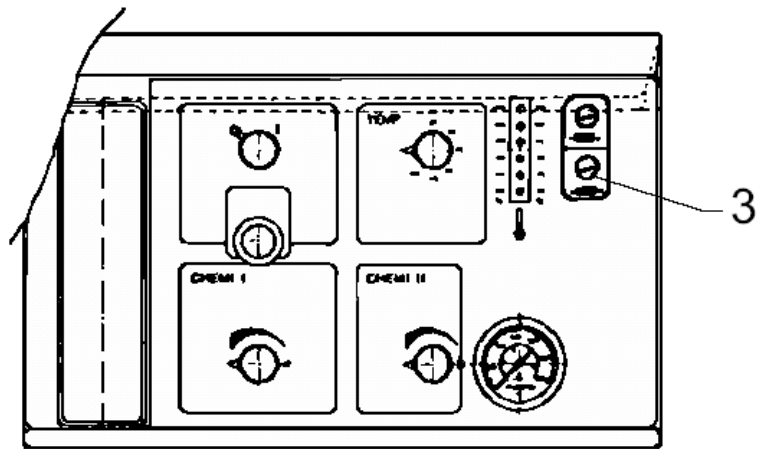
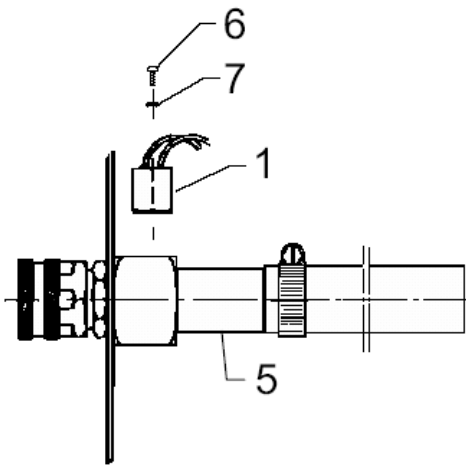
Frost protection Kit

03VS

05-04-2015

Part List ID
03VS54

55



Frost protection Kit

03VS

05-04-2015

Part List ID
03VS54

56

Pos	Part no.	Qty	Description
1	3807773	1	THERMOSTAT 2455RBV-117
3	3812385	2	FUSE D5x20 6.3A VISCOUS US 6.3 A, 250V
4	103822307	1	CONTACTOR CJX2-D18 18A 24V 3P+NC
5	6221914	1	FILTER HOUSING. FROST PROTECT
6	1803139	2	SCREW M3X6
7	1809953	2	WASHER M3