

WDA 35

Model:
WDA 35



Part List US-English

15-02-2015

Nilfisk
ALTO
works for you

www.nilfisk-alto.com

Table of Contents

WDA 35

Summary

3

Summary

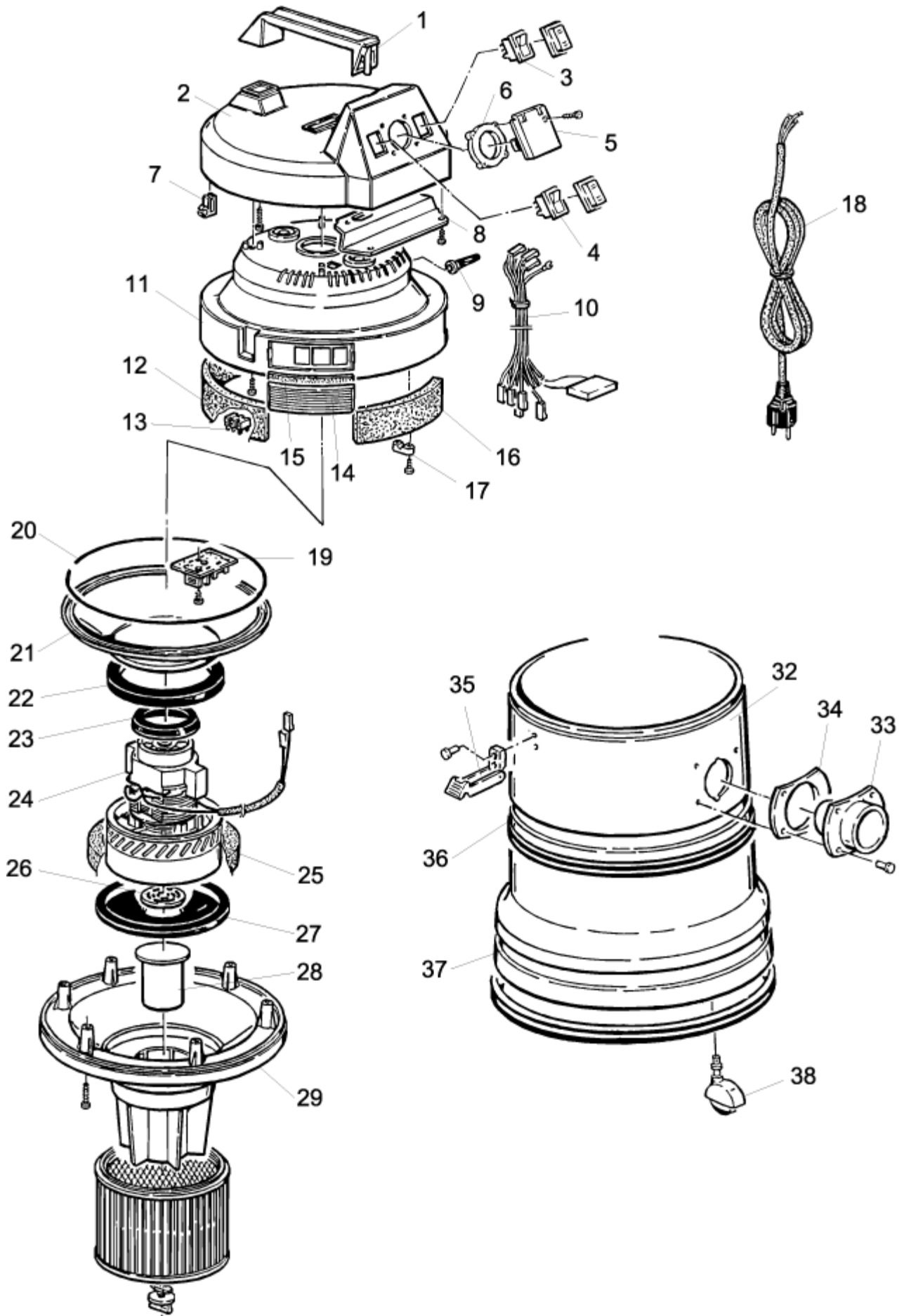
WDA 35

15-02-2015

Part List ID

WDA02

3



Summary

WDA 35

15-02-2015

Part List ID

WDA02

4

Pos	Part no.	Qty	Description
1	7091010	1	HANDLE
2	7091011	1	COVER
3	7091012	1	SWITCH
4	7091013	1	SWITCH
5	7091014	1	SOCKET
6	7091015	1	GASKET
10	7091019	1	SET OF WIRES
11	7091020	1	INTERMEDIATE COVER
12	7091021	1	NOISE FILTER
14	7091023	1	OUTLET AIR GRILL
15	7091024	1	FILTER
16	7091025	1	NOISE FILTER
18	7091027	1	ELECTRIC CABLE
19	7091028	1	CIRCUIT BOARD
20	7091029	1	ROUND GASKET
21	7091030	1	DIAPHRAGM
22	7090513	1	GASKET. WET DRY
23	7090514	1	BACK-UP RING FOR MOTOR. W
24	7090735	1	MOTOR. MULTIVAC
25	7091034	1	NOISE FILTER
26	7090736	1	PROTECTION GRID. MULTIVAC
27	7090518	1	GASKET FOR MOTOR. WET D
28	7090519	1	FLOAT. WET DRY
29	7091038	1	UNDER CONSOLE
32	7091041	1	CONTAINER
34	7091043	1	SPONGE GASKET
35	7090750	2	COMPLETE HOOK
36	7091045	1	UPPER FENDER
37	7091046	1	LOWER FENDER
38	7091047	5	WHEEL