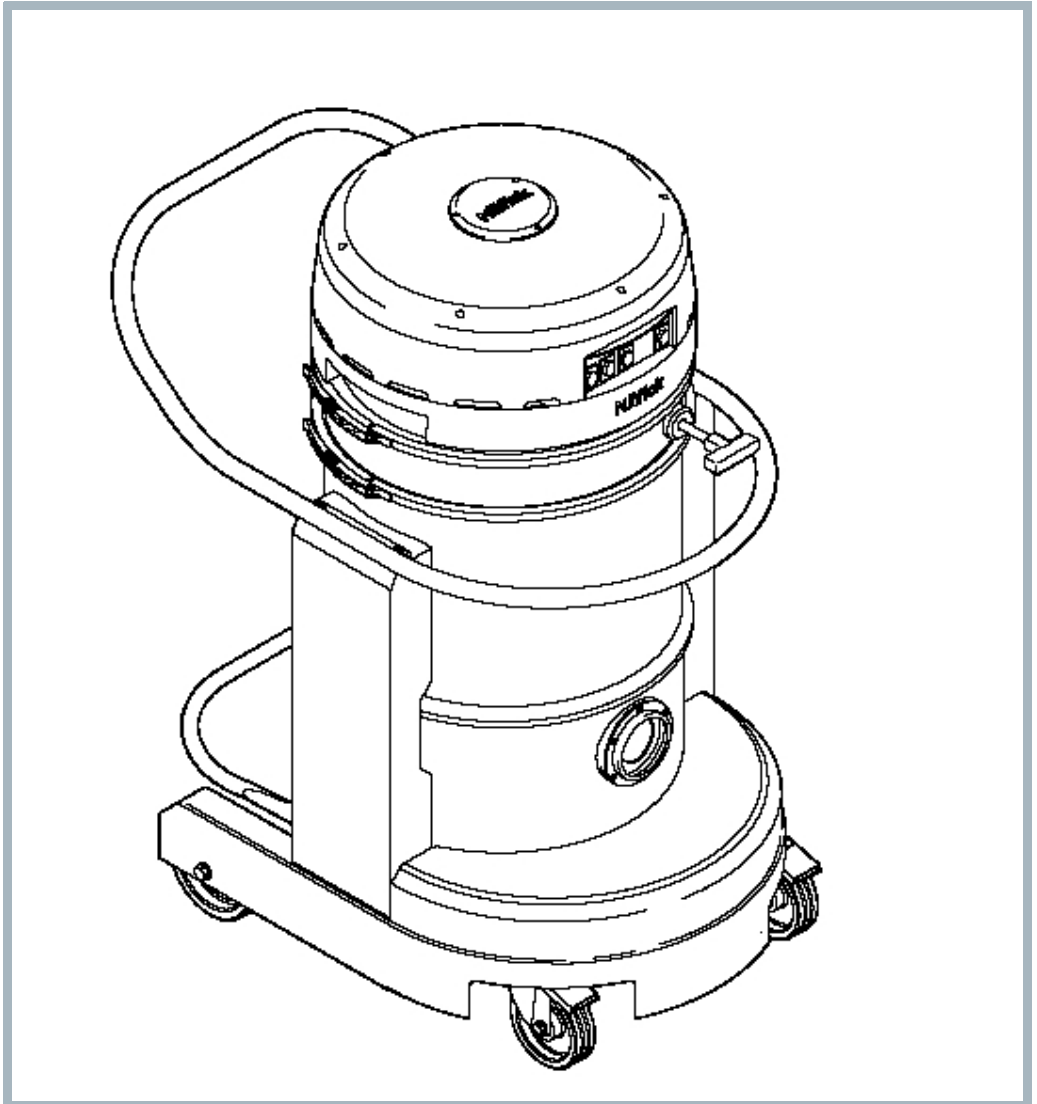


IVT 3000 S/B

Model:
IVT 3000 B
IVT 3000 S



Part List US-English

08-02-2015

Table of Contents

IVT 3000 S/B

Trolley	3
Containers IVT 3000B	5
Containers IVT 3000S-IVB 3000S	7
Filters and Top Container	9
Head IVT 3000S-IVT 3000B	11
Head IVB 3000S	13
Standard Electric Components	15
Class M. IVT 3000B	17
Class M. IVT 3000S-IVB 3000S	19
Safe bag system. IVT 3000B	21
Safe bag system. IVT 3000S-IVB 3000S	23
Class H. IVT 3000B-IVB 3000S-IVT 3000S	25
Exhaust filter. IVT 3000B-IVT 3000S	27
S.S.Container. IVT 3000B	29
S.S.Container. IVT 3000S-IVB 3000S	31
S.S.Container 100 L. IVB 3000S	33
Container 100 L. IVB 3000S	35
Plastic bag system. IVT 3000S-IVB 3000S	37
Asbestos. IVB 3000S	39
Liqued system. 230V. IVB 3000S	41
Liqued system. 110V. IVB 3000S	43
Steel Basket system. IVT 3000B-IVT 3000S-IVB 3000S	45
Fixed floor nozzle. IVT 3000B	47

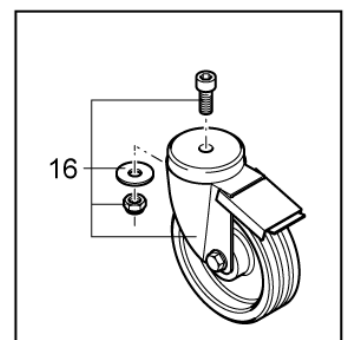
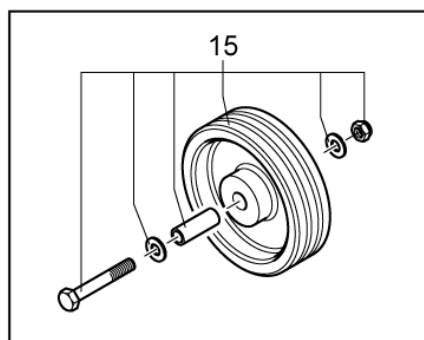
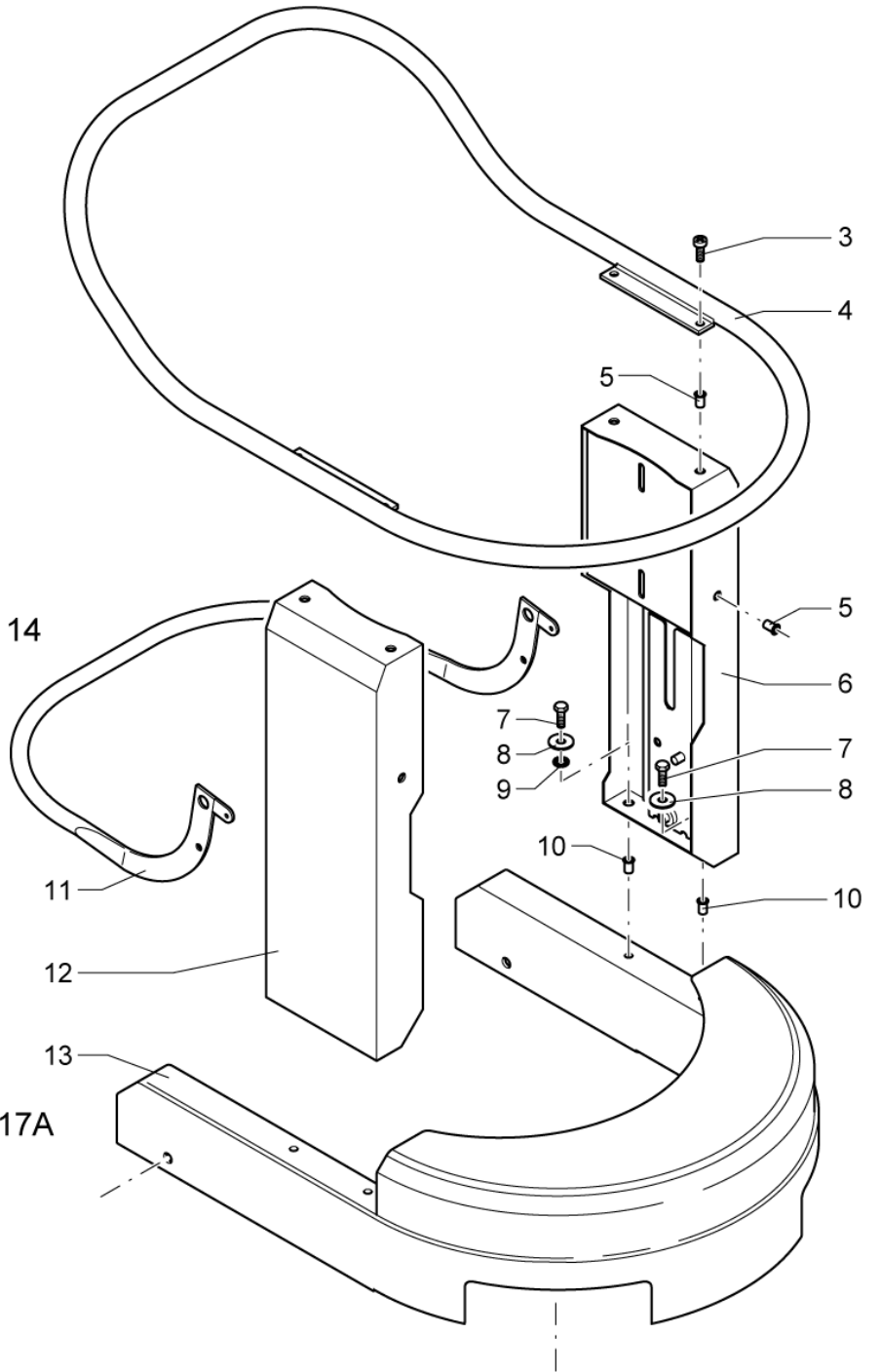
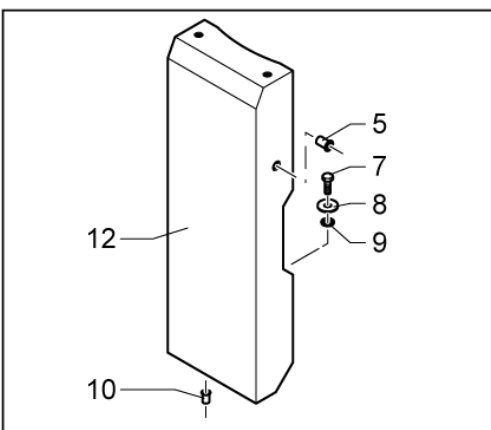
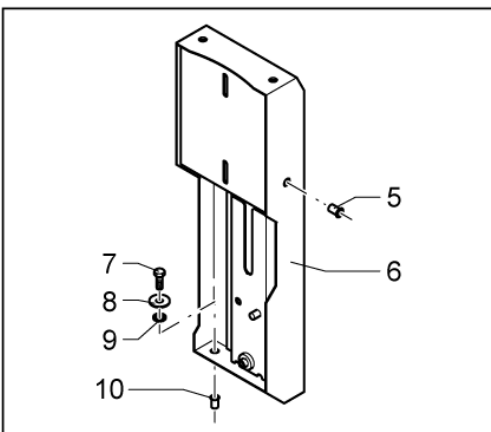
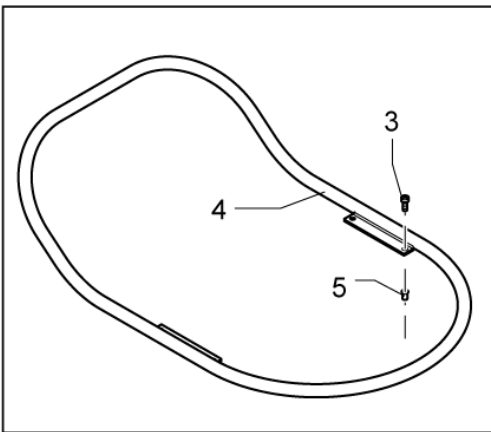
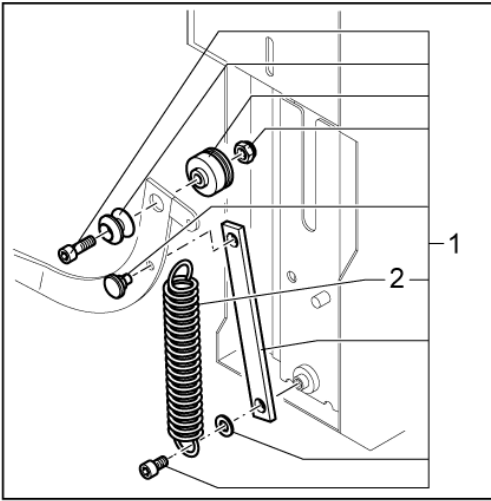
Trolley

VT 3000 S/B

08-02-2015

Part List ID
G22633

3



Trolley

IVT 3000 S/B

08-02-2015

Part List ID
GZ22633

4

Pos	Part no.	Qty	Description
1	32400874	1	LEVER.FOR LOWERING COMPL. IVT/IVB
2	Z8 14267	2	RELEASE SPRING MODEL 137
11	32400685	1	LEVER.RELEASING
13	32400644	1	BASE.FOR COMPLETE TROLLEY
14	32400875	1	HANDLE.GUIDE COMPLETE IVT/IVB 2000 B/S
15	32400880	2	WHEEL.FIXED COMPLETE IVT/IVB 2000-3000
16	32400881	2	WHEEL.PIVOTING COMPLETE IVT/IVB
17A	32400882	1	PILLAR.LEFT COMPLETE IVT 2000 - 3000 B
17A	32400883	1	PILLAR.LEFT COMPLETE IVT/IVB 2000 - 3000
17B	32400884	1	PILLAR.RIGHT COMPLETE IVT 2000 - 3000 B
17B	32400916	1	PILLAR.RIGHT COMPLETE IVT/IVB 2000 -

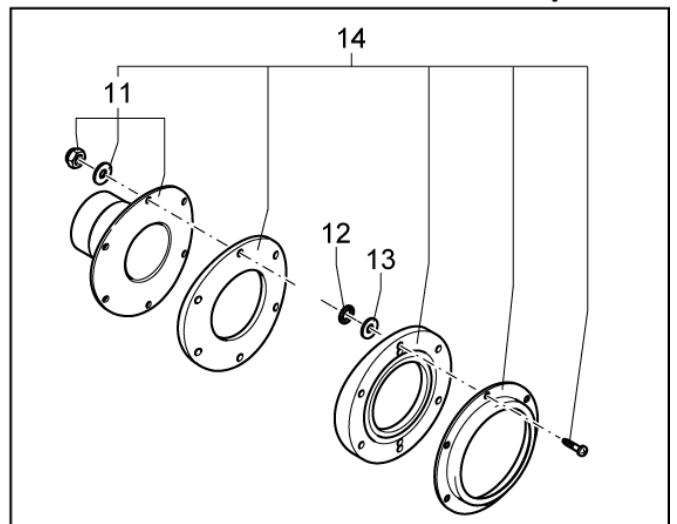
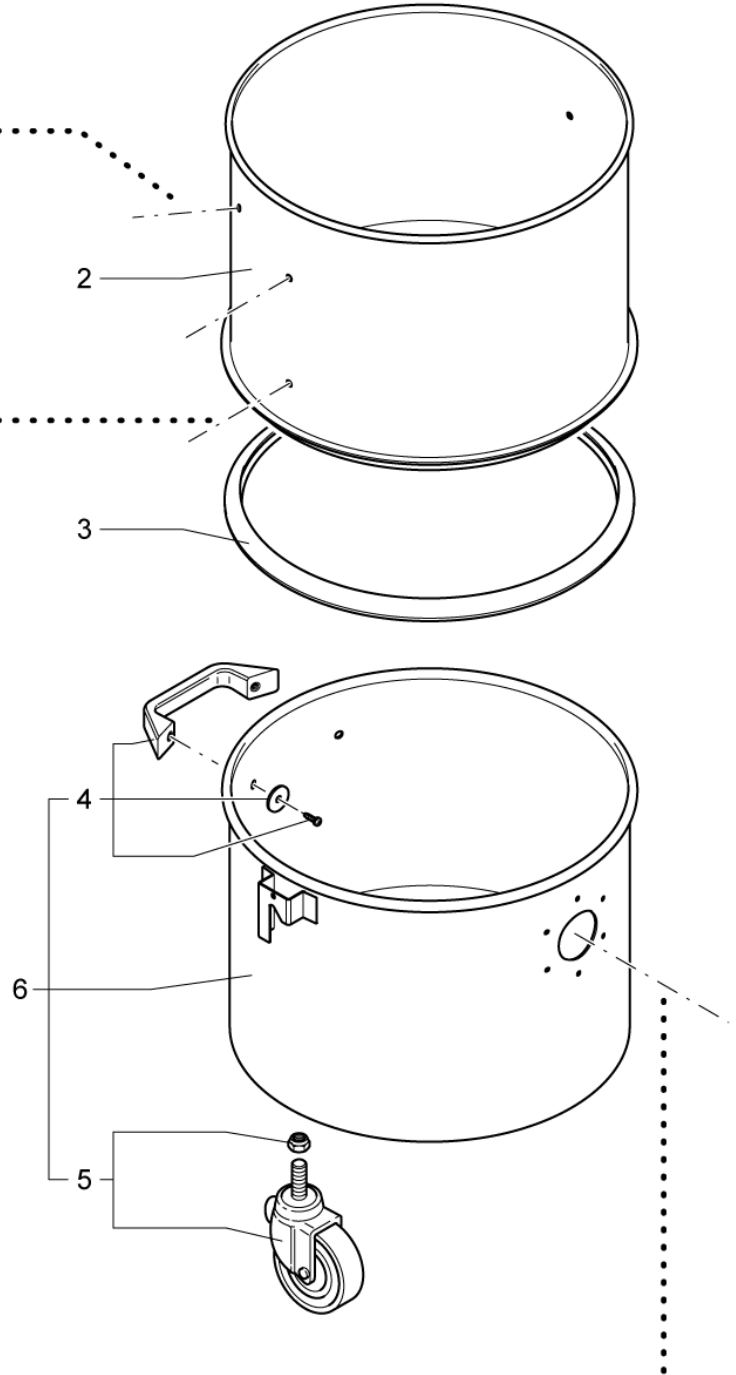
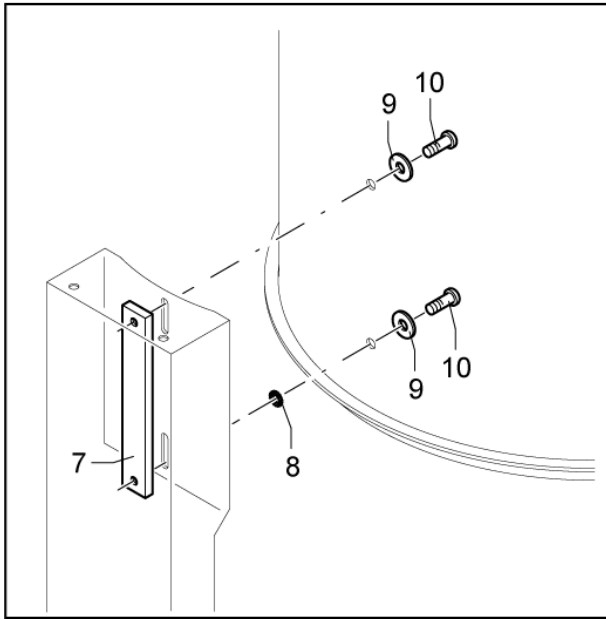
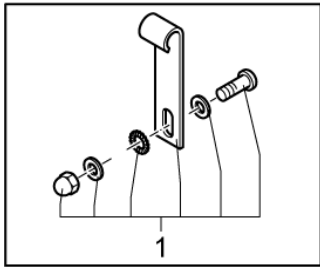
Containers IVT 3000B

IVT 3000 S/B

08-02-2015

Part List ID
G22635

5



Containers IVT 3000B

IVT 3000 S/B

08-02-2015

Part List ID

GZ2635

6

Pos	Part no.	Qty	Description
1	32400917	1	PLATE NUT.FOR GROUNDING COMPLETE IVT/IVB
2	32400682	1	FILTER CHAMBER .D560
3	32400243	1	GASKET.SHAPED
4	32400333	3	HANDLE.KIT FOR CONTAINER
5	32400332	4	WHEELS.CONTAINER COMPLETE IV022/040
6	32400942	1	CONTAINER.KIT COMPLETE IVT 3000 B
11	32400945	1	DEFLECTOR.KIT IVT 3000 B
14	32400952	1	INLET.KIT IVT 3000 B
15	32400923	1	PLATE.FIXING COMPLETE IVT/IVB 2000-3000

Containers IVT 3000S-IVB 3000S

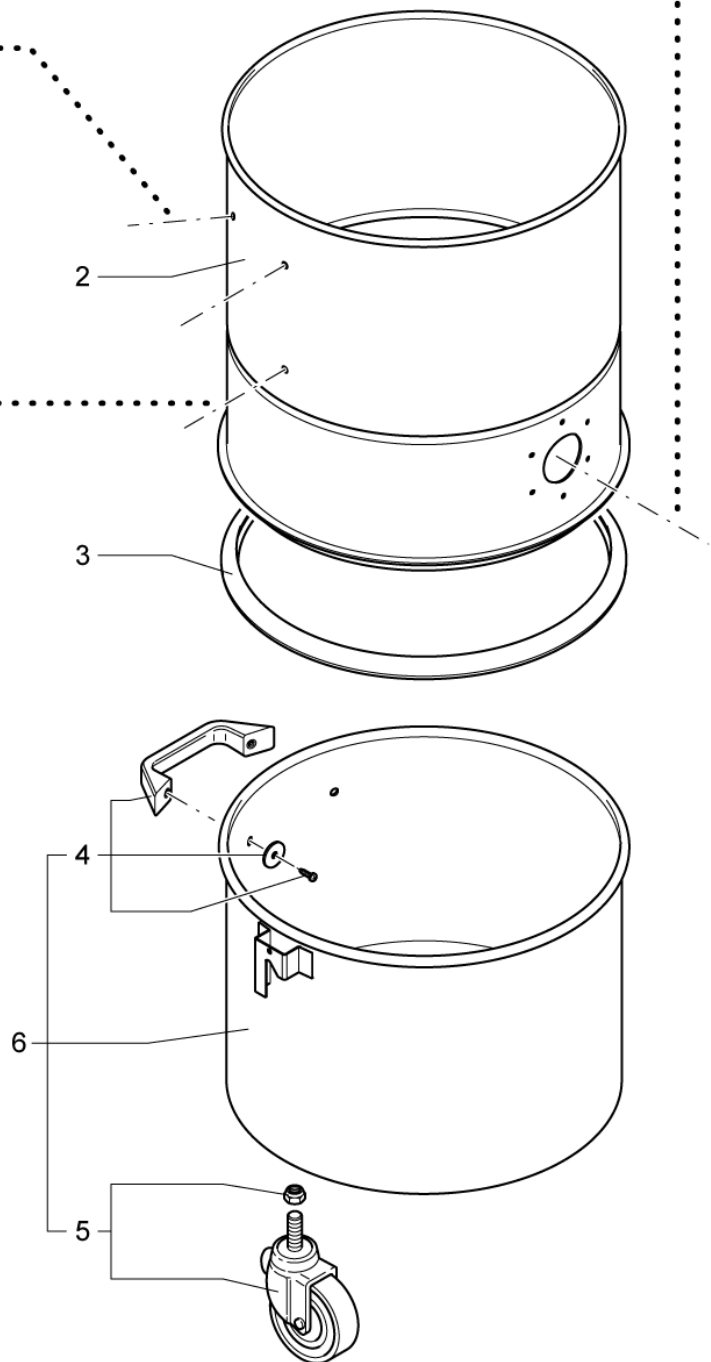
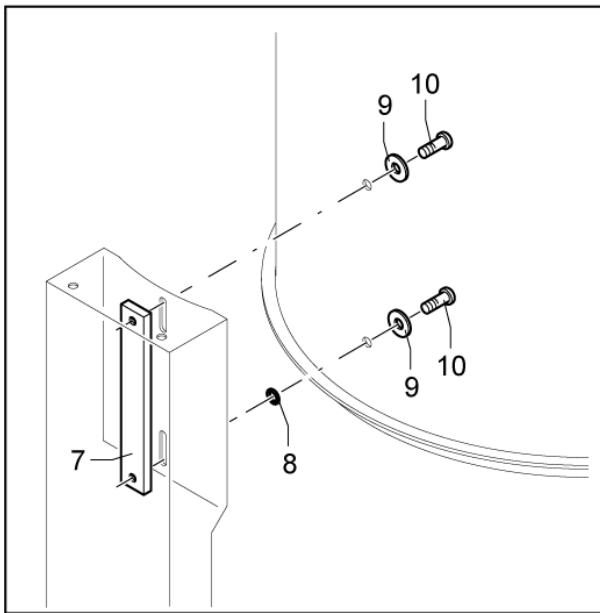
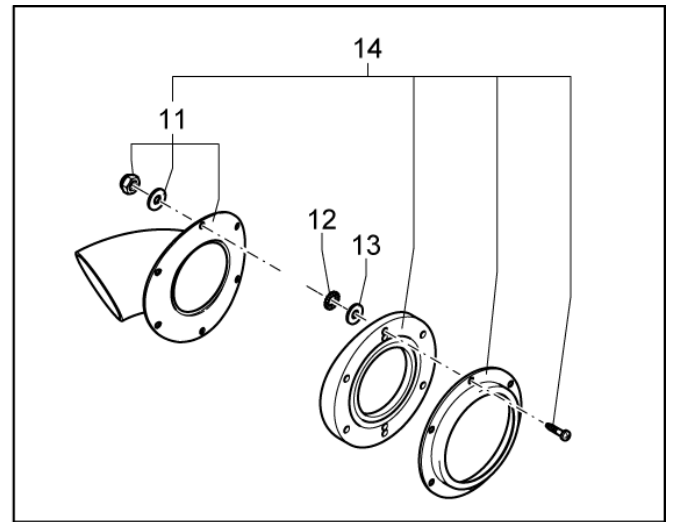
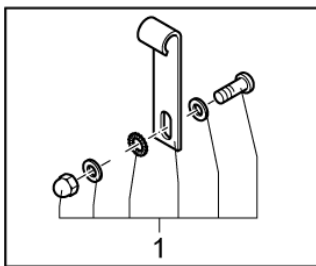
IVT 3000 S/B

08-02-2015

Part List ID

G22637

7



Containers IVT 3000S-IVB 3000S

IVT 3000 S/B

08-02-2015

Part List ID

GZ22637

8

Pos	Part no.	Qty	Description
1	32400917	1	PLATE NUT.FOR GROUNDING COMPLETE IVT/IVB
2	32400740	1	CHAMBER. FOR FILTER D.560
3	32400243	1	GASKET.SHAPED
4	32400333	2	HANDLE.KIT FOR CONTAINER
5	32400332	4	WHEELS.CONTAINER COMPLETE IV022/040
6	32401025	1	CONTAINER.KIT COMPLETE IVT/IVB 3000 S
11	32401026	1	DEFLECTOR.KIT IVT/IVB 3000 S
14	32401027	1	INLET.KIT IVT/IVB 3000 S
15	32400923	1	PLATE.FIXING COMPLETE IVT/IVB 2000-3000

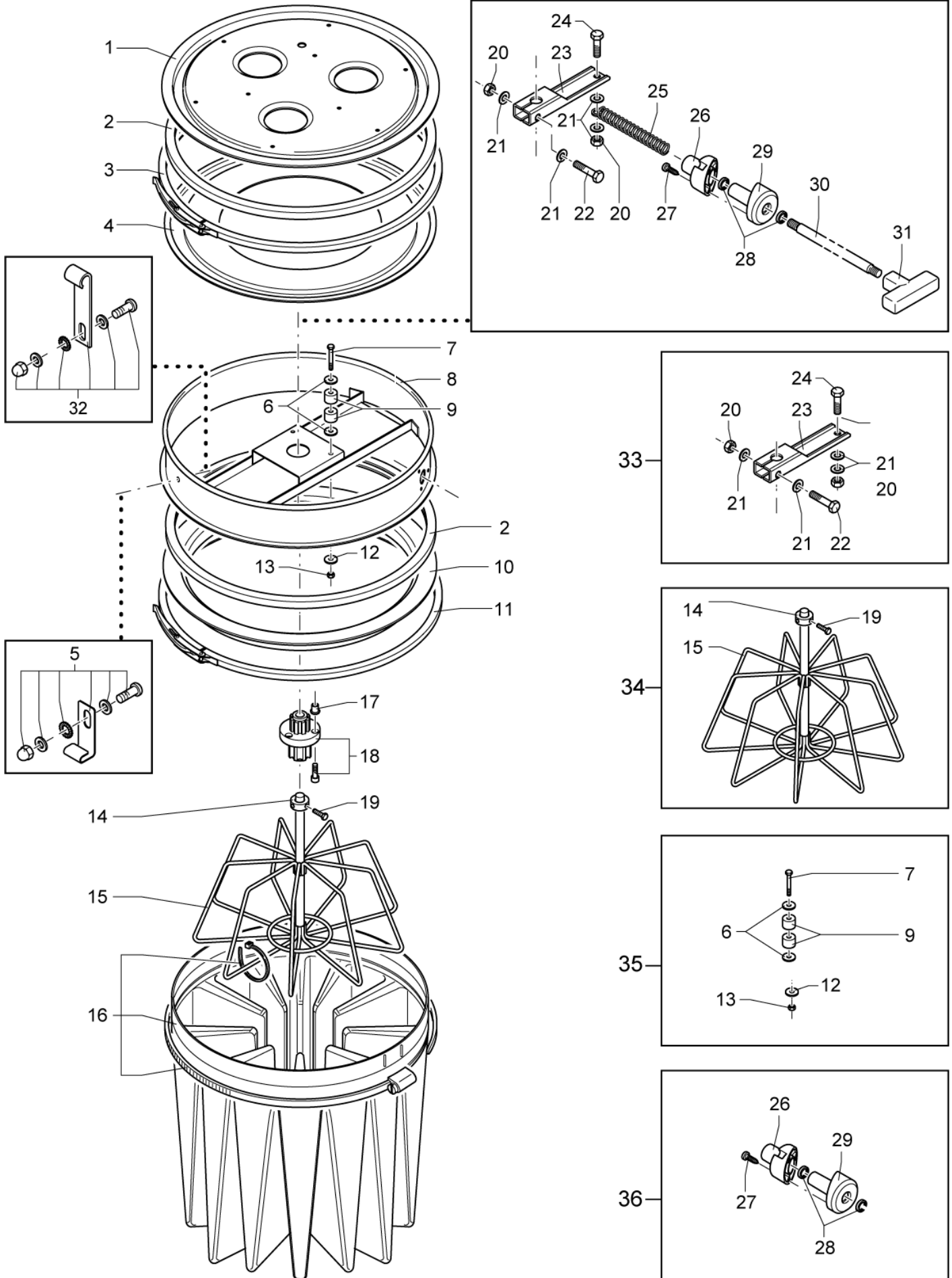
Filters and Top Container

VT 3000 S/B

08-02-2015

Part List ID
G22639

9



Filters and Top Container

IVT 3000 S/B

08-02-2015

Part List ID

GZ2639

10

Pos	Part no.	Qty	Description
1	32400719	1	HOLDER MOTOR
2	32400060	2	GASKET.FOR RING D.460
3	Z8 36191	1	BAND LOCK D.460
4	32400663	1	RING.FOR GASKET
5	32401029	1	PLATE NUT.FOR GROUNDING COMPLETE IVT/IVB
8	32400714	1	LATERAL.D460
10	Z8 15005	1	FILTER HOLDER RING D560 FE
11	Z8 36450	1	BAND LOCK D.560
15	32400664	1	CAGE.FILTER SHAKER
16	32401037	1	FILTER 32400283 POLYESTER IVT/IVB 3000
16	32401038	1	FILTER 32400286 PTFE IVT/IVB 3000 B/S
16	32401039	1	FILTER 32400573 COTTON IVT/IVB 3000 B/S
16	32401040	1	FILTER 32400287 POLYESTER NO STAT
16	32401041	1	FILTER 32400288 PTFE NO STAT IVT/IVB
16	32401042	1	FILTER 32400285 NOMEX IVT/IVB 3000 B/S
18	32400325	1	BUSHING.FILTER SHAKER KIT
25	32400658	1	SPRING.FILTER SHAKER
30	32400662	1	ROD.FILTER SHAKER
31	Z8 40027	1	KNOB D70 M12 NO HOLE
32	32400917	1	PLATE NUT.FOR GROUNDING COMPLETE IVT/IVB
33	32401044	1	LEVER.FOR MOVING KIT COMPL.IVT/IVB
34	32401046	1	CAGE.FILTER KIT IVT/IVB 3000 B/S
35	32401089	1	BUMPER SET COMPLETE
36	32401088	1	BUSH COMPL.FOR FILTERSHAKER

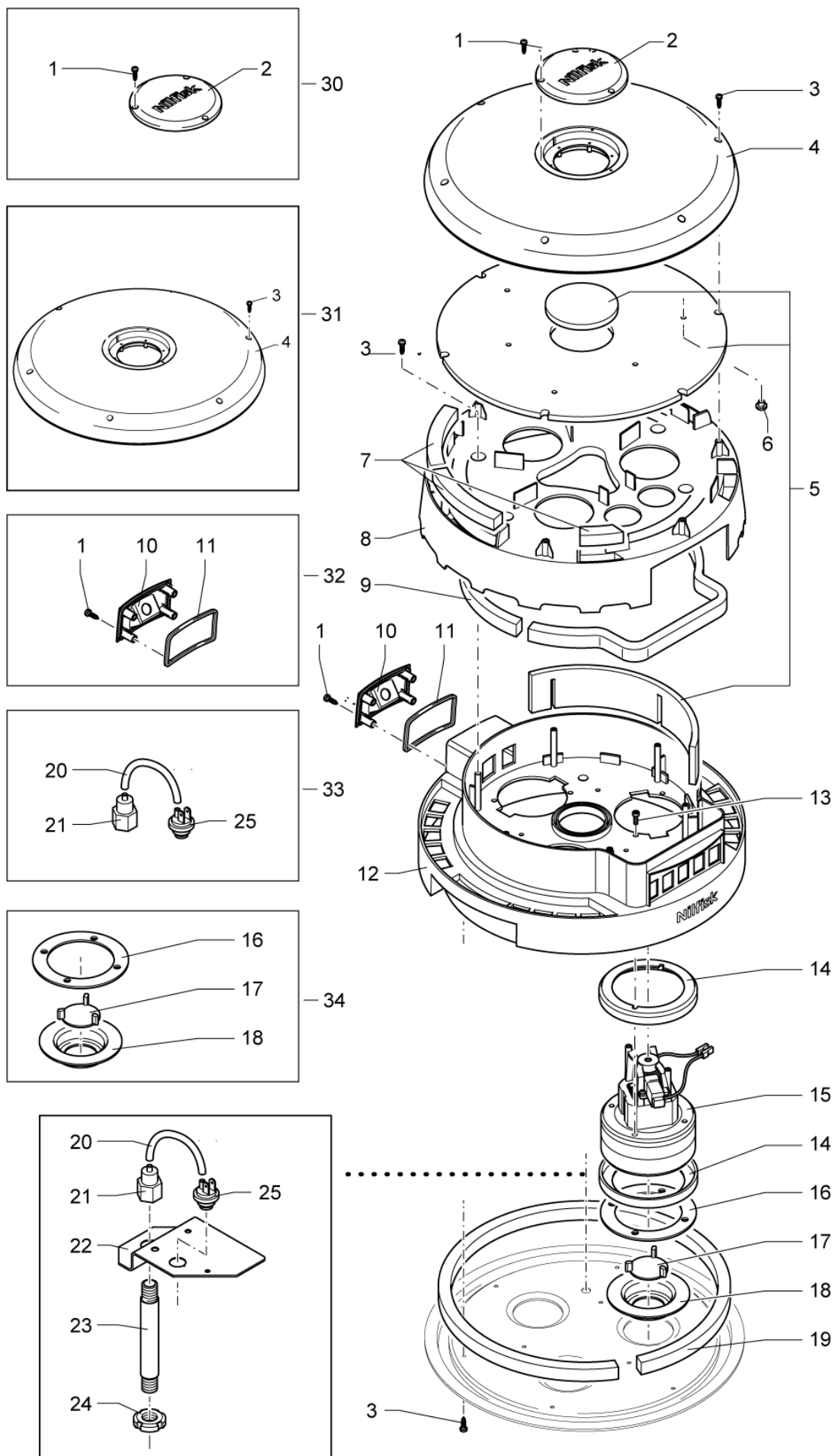
Head IVT 3000S-IVT 3000B

IVT 3000 S/B

08-02-2015

Part List ID
G226311

11



Head IVT 3000S-IVT 3000B

IVT 3000 S/B

08-02-2015

Part List ID
GZZ6311

12

Pos	Part no.	Qty	Description
5	32400691	1	SOUNPROOF
7	32400690	1	DIFFUSER.KIT
8	32400584	1	DECK
9	32400693	1	GASKET
12	32400583	1	MOTOR KEEPER
14	32400305	6	GASKET.UNDER MOTOR
14	Z8 17602	6	JOINT MOTOR MM3
15	32400707	3	MOTOR. MONOPHASE TF 220-240V/50-60HZ
15	Z8 54003 115	3	MOTOR SINGLE-PH. W800.V115
19	32400692	1	GASKET
30	32401090	1	BLIND COVER COMPLETE IVT/IVB
31	32401091	1	COVER COMPLETE IVT
32	32401092	1	CABLE CONNECTION COMPL. IVT/IVB
33	32401094	1	PRESSURE SENSOR COMPLETE IVT/IVB
34	32401093	1	CAP/GASKET COMPL IVT/IVB

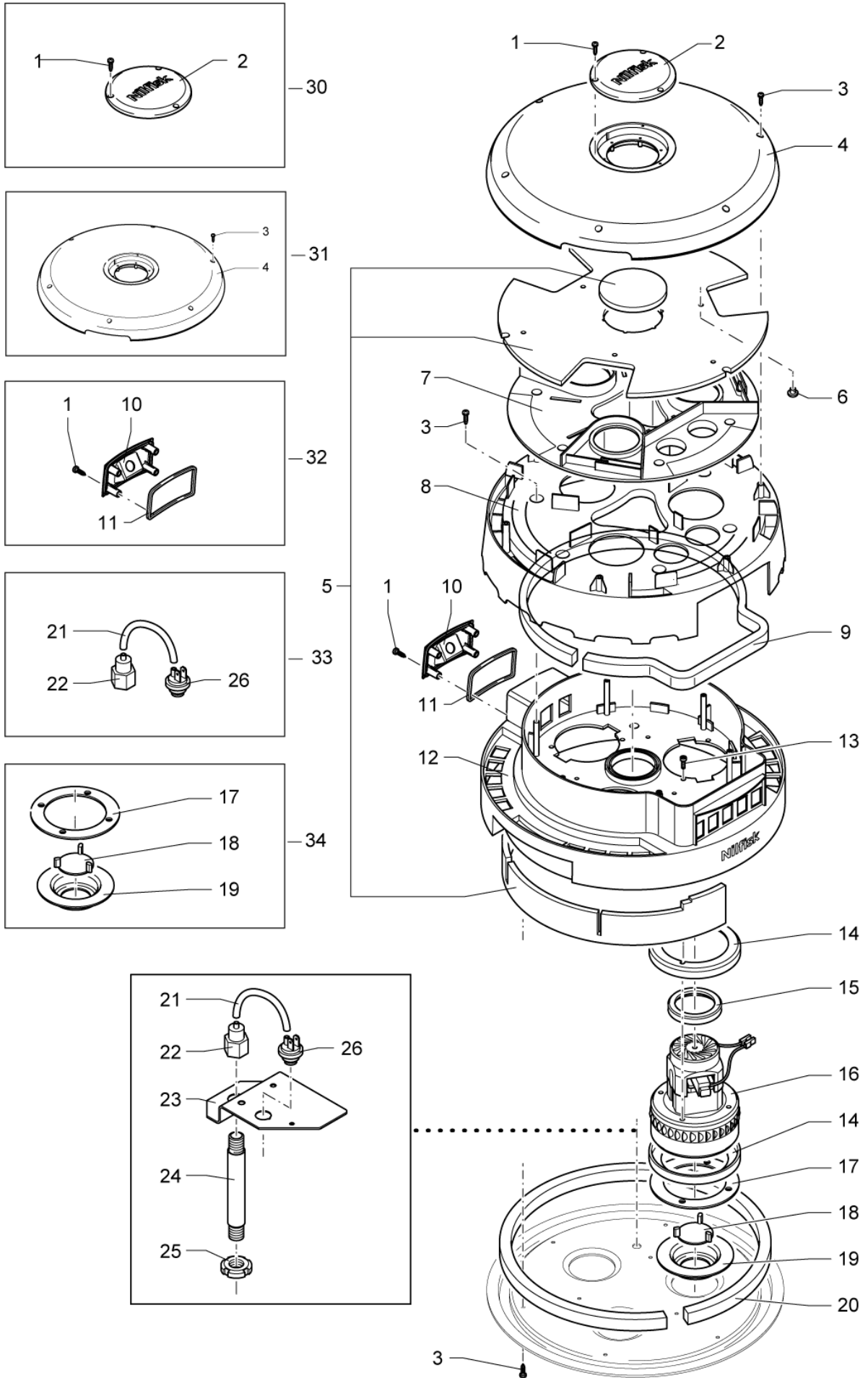
Head IVB 3000S

IVT 3000 S/B

08-02-2015

Part List ID
G226313

13



Head IVB 3000S

IVT 3000 S/B

08-02-2015

Part List ID
GZZ26313

14

Pos	Part no.	Qty	Description
5	32400722	1	SOUNPROOF.KIT
7	32400582	1	ADAPTER
8	32400584	1	DECK
9	32400693	1	GASKET
12	32400583	1	MOTOR KEEPER
14	32400305	6	GASKET.UNDER MOTOR
15	32400501	3	GASKET.D.80
16	40000937	3	MOTOR KIT V230 SEE TSB 32/2011
16	40000938	3	MOTOR KIT V110 UK
30	32401090	1	BLIND COVER COMPLETE IVT/IVB
31	32401095	1	COVER COMPLETE IVB
32	32401092	1	CABLE CONNECTION COMPL. IVT/IVB
33	32401094	1	PRESSURE SENSOR COMPLETE IVT/IVB
34	32401093	1	CAP/GASKET COMPL IVT/IVB

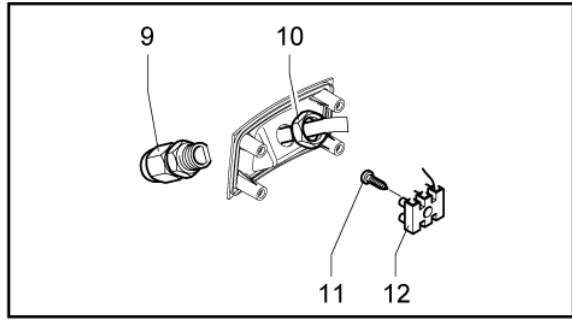
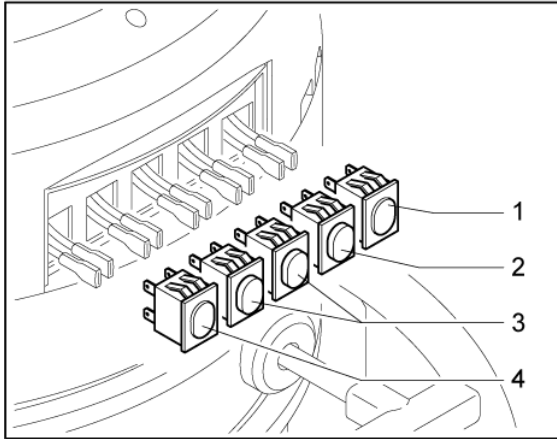
Standard Electric Components

VT 3000 S/B

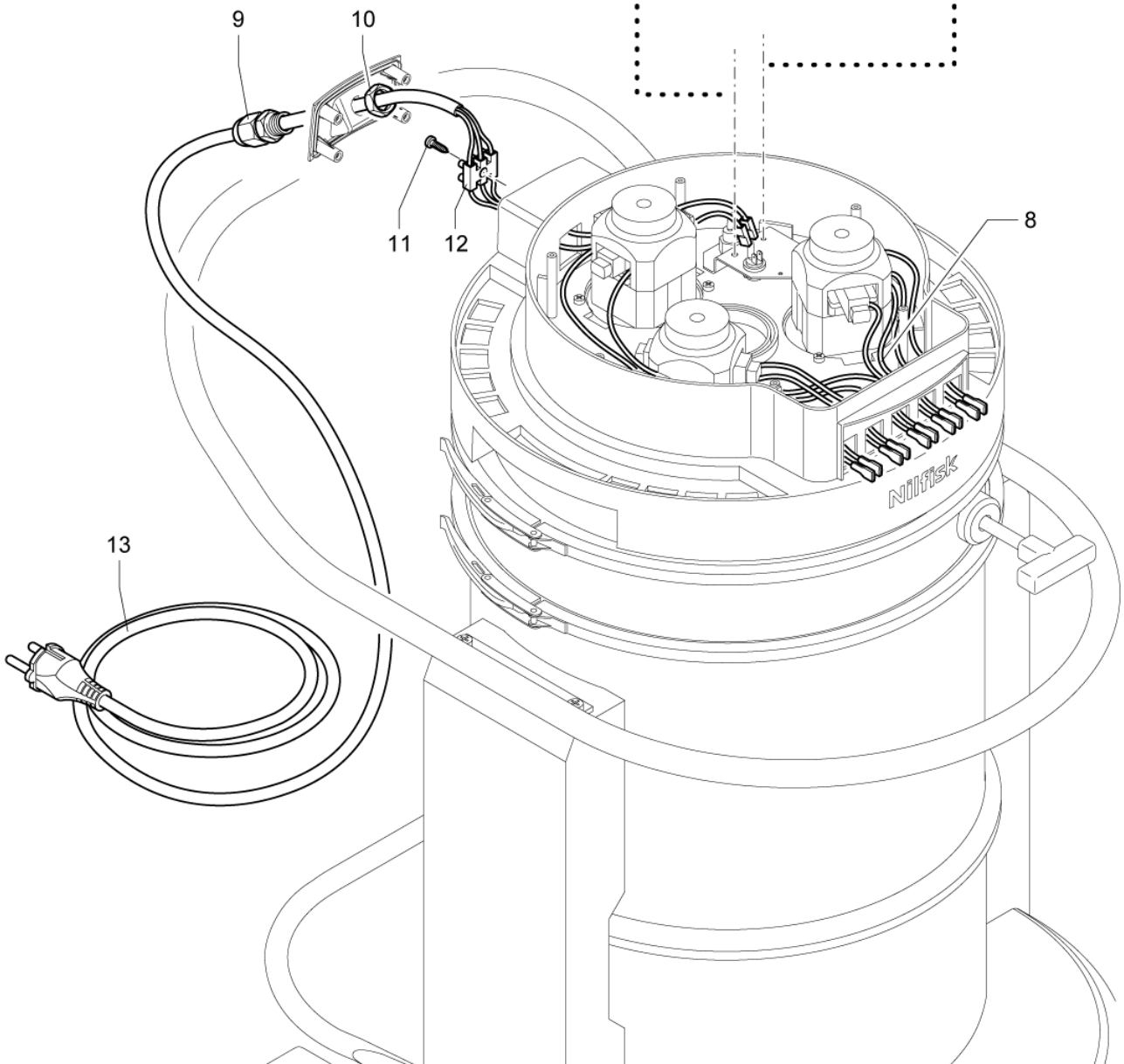
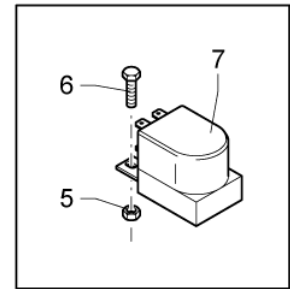
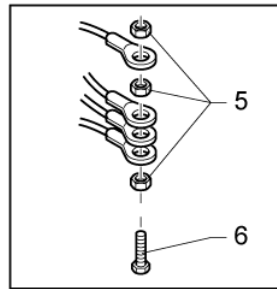
08-02-2015

Part List ID
G226315

15



20



Standard Electric Components

IVT 3000 S/B

08-02-2015

Part List ID
GZZ6315

16

Pos	Part no.	Qty	Description	
1	32400696	1	VACUUM INDICATOR LIGHT	
2	22160600	1	ON/OFF SWITCH KIT 2-POL	
3	22160600	2	ON/OFF SWITCH KIT 2-POL	
4	32400695	1	POWER INDICATOR LIGHT	
7	32400946	1	CAPACITOR.FOR HEAD 110V	
7	Z8 39533	1	FILTER ANTIJAMMING 16A	
8	32400812	1	CABLE.HEAD 3 MOTORS KIT	
8	32400948	1	CABLES.KIT FOR HEAD 3 MOTORS 110V	
13	32400949	1	CABLE.POWER SUPPLY	
13	Z8 39016	1	CABLE SUP. 3G1.5 NE. SCHUKO 9M MOD.S3	
20	32401096	1	CABLE SUPPORT CONNECTION 220 V COMPLETE	Only 220V
20	32401097	1	CABLE SUPPORT CONNECTION 110 V COMPLETE	Only 110V

Class M. IVT 3000B

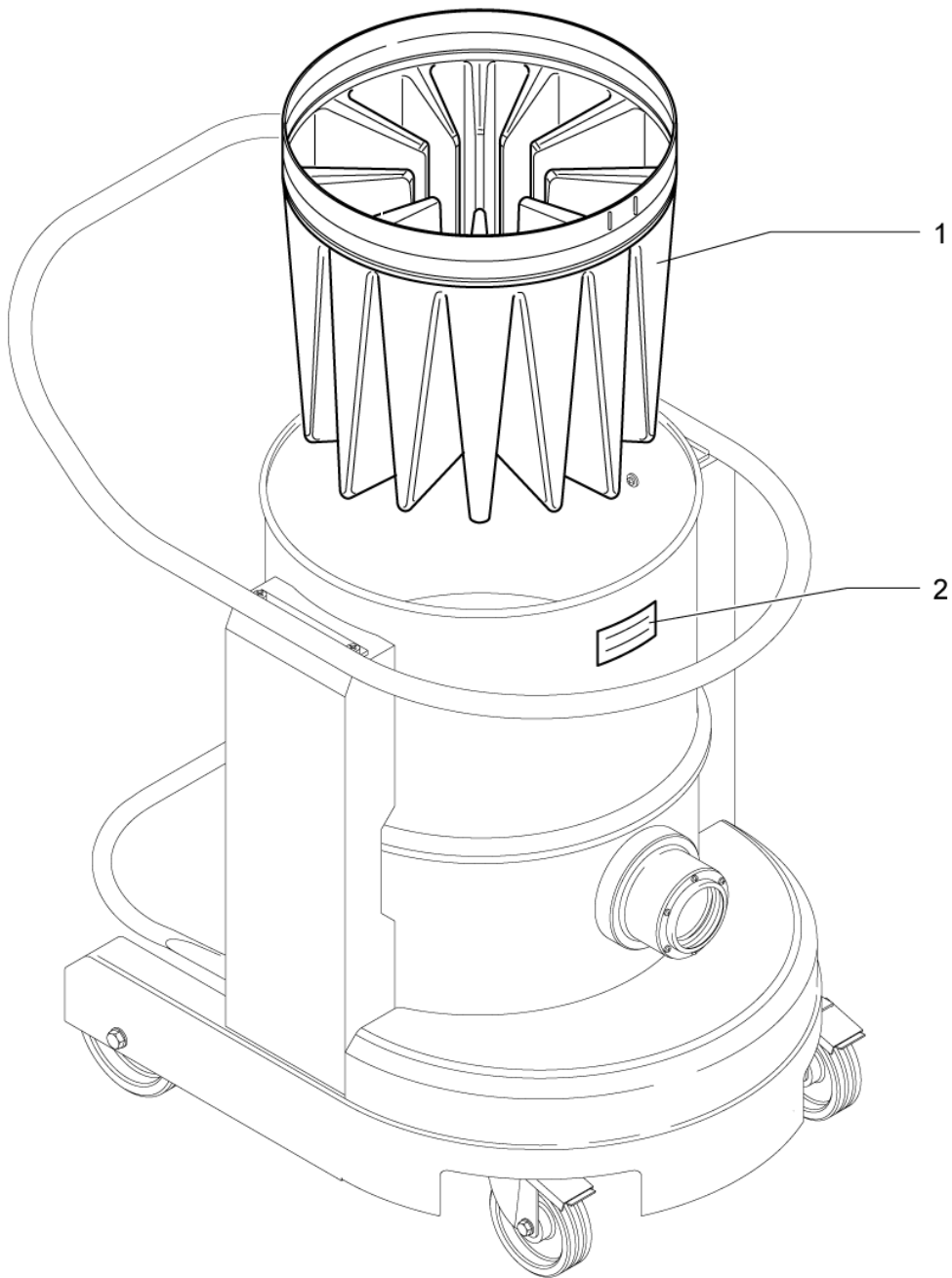
IVT 3000 S/B

08-02-2015

Part List ID
G226317

17

3



Class M. IVT 3000B

IVT 3000 S/B

08-02-2015

Part List ID
GZZ6317

18

Pos	Part no.	Qty	Description
1	32401043	1	FILTER 32400284 POLY CL M CLASS M KIT
3	32401043	1	FILTER 32400284 POLY CL M CLASS M KIT

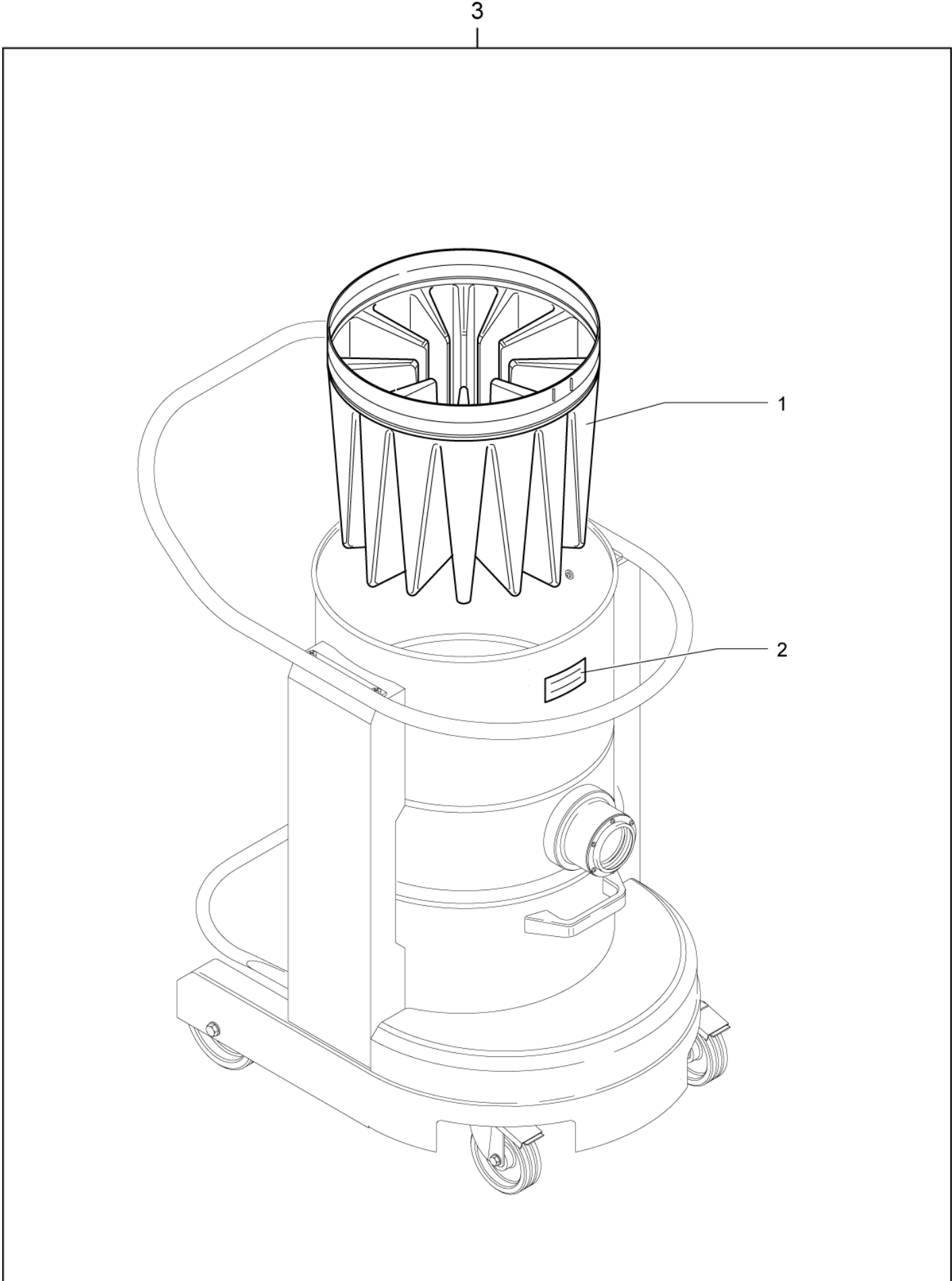
Class M. IVT 3000S-IVB 3000S

IVT 3000 S/B

08-02-2015

Part List ID
G226319

19



Class M. IVT 3000S-IVB 3000S

IVT 3000 S/B

08-02-2015

Part List ID
GZZ6319

20

Pos	Part no.	Qty	Description
1	32401043	1	FILTER 32400284 POLY CL M CLASS M KIT
2	32400965	1	DECAL.NILFISK IVB 3000 S IVB 3000 S
2	32400966	1	DECAL.NILFISK IVT 3000 S IVT 3000 S
2	32400967	1	DECAL.NILFISK IVT 3000 B IVT 3000 B
3	32400594	1	FILTER.KIT CLASS M IVT/IVB 3000 S

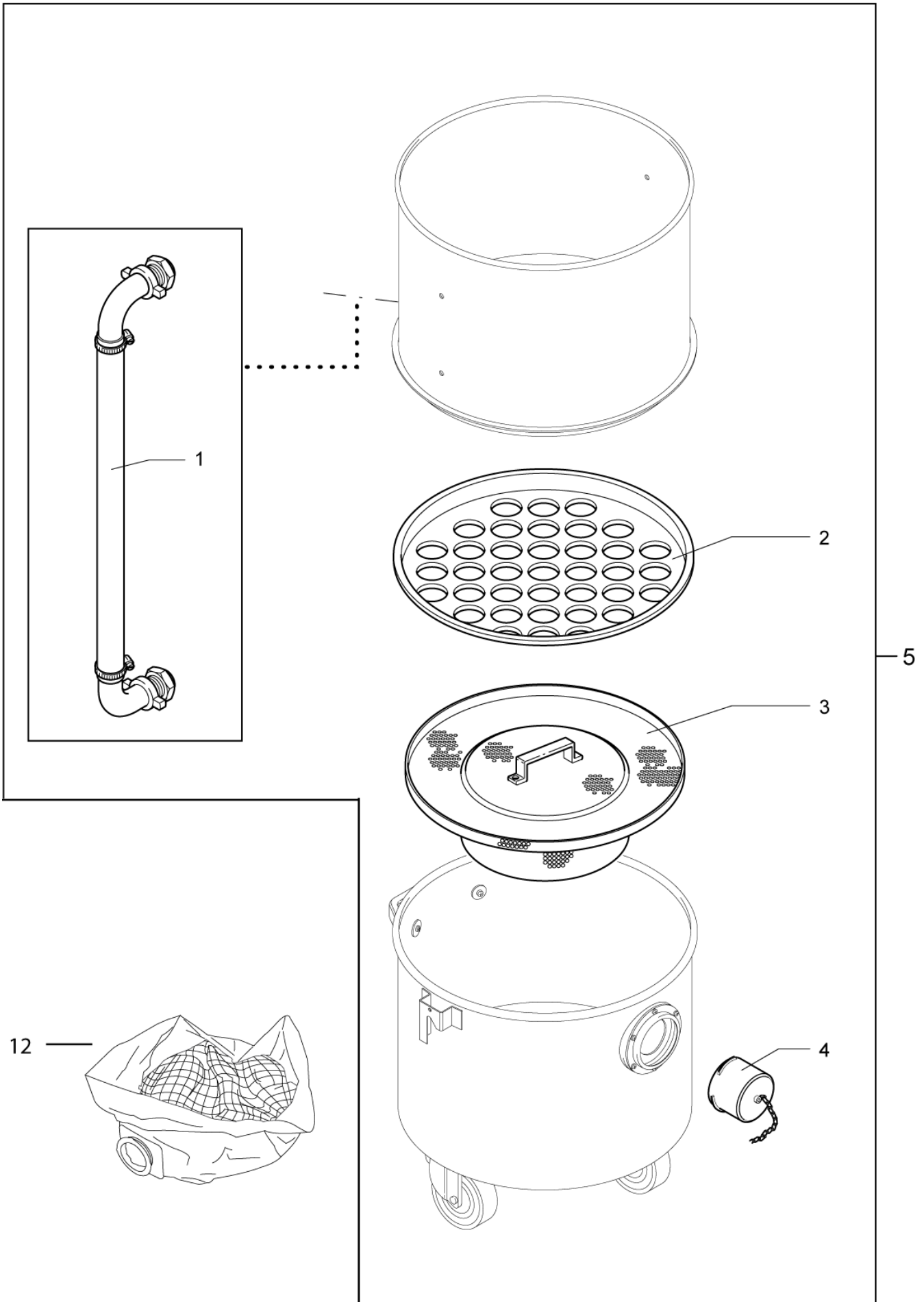
Safe bag system. IVT 3000B

IVT 3000 S/B

08-02-2015

Part List ID
G226321

21



Safe bag system. IVT 3000B

IVT 3000 S/B

08-02-2015

Part List ID
GZZ6321

22

Pos	Part no.	Qty	Description
1	32400659	1	PIPE DEPRESSOR
2	32400570	1	GRID .SUPERIOR
3	Z8 31231	1	CONTAINER GRID D560 FE
4	L04003200	1	BLIND SHUTTER Ø 50 MM
5	32400597	1	SAFE BAG.KIT IVT 3000 B
12	L03034200	1	DUST SAFE BAG SYSTEM 1PC

Safe bag system. IVT 3000S-IVB 3000S

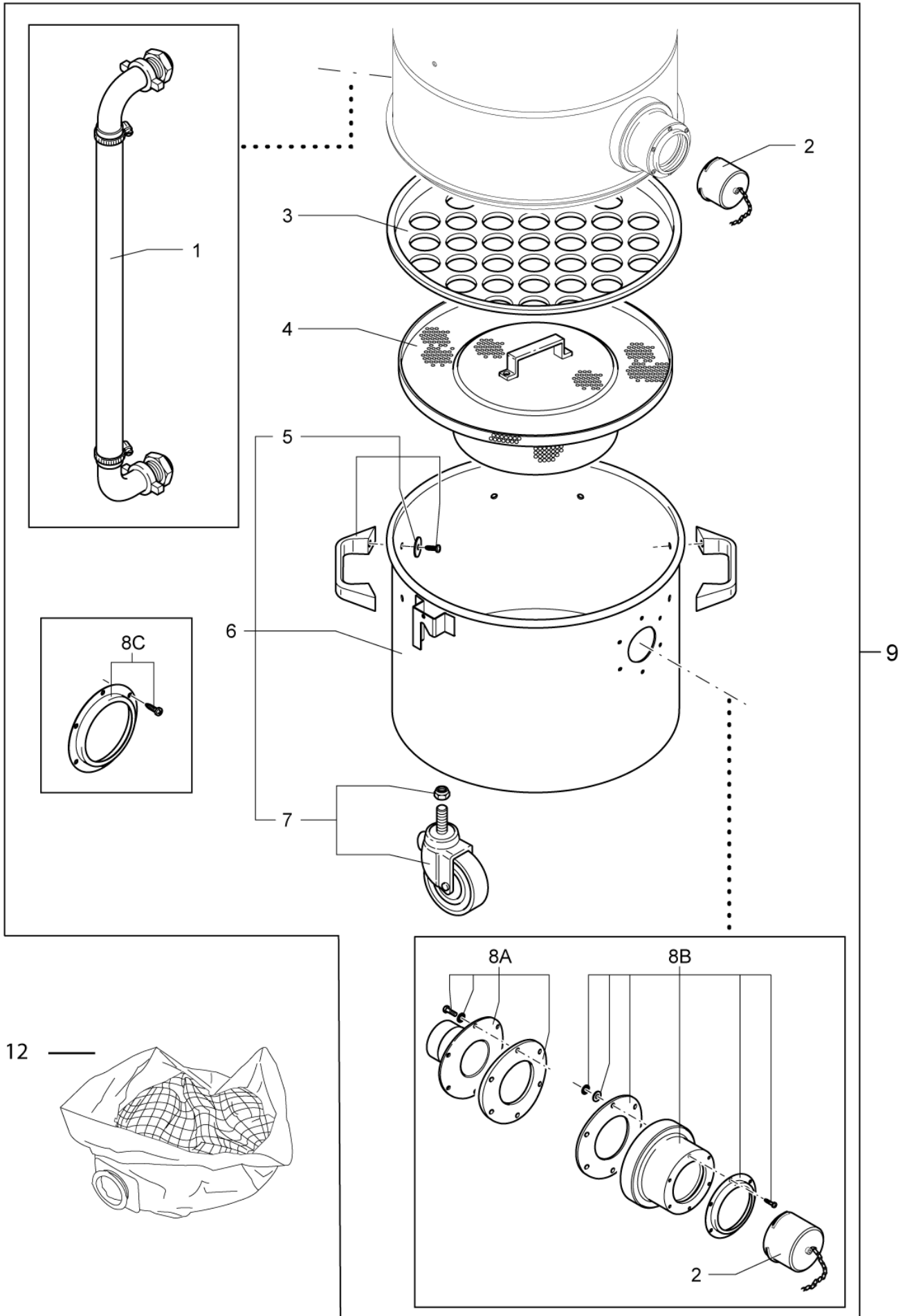
IVT 3000 S/B

08-02-2015

Part List ID

G226323

23



Safe bag system. IVT 3000S-IVB 3000S

IVT 3000 S/B

08-02-2015

Part List ID

GZZ63Z3

24

Pos	Part no.	Qty	Description
1	32400659	1	PIPE DEPRESSOR
2	L04003200	2	BLIND SHUTTER Ø 50 MM
3	32400570	1	GRID .SUPERIOR
4	Z8 31231	1	CONTAINER GRID D560 FE
5	32400333	3	HANDLE.KIT FOR CONTAINER
6	32400942	1	CONTAINER.KIT COMPLETE IVT 3000 B
7	32400332	4	WHEELS.CONTAINER COMPLETE IV022/040
9	32400598	1	SAFE BAG.KIT 70L IVT/IVB 3000 S
12	L03034200	1	DUST SAFE BAG SYSTEM 1PC
8A	32401050	1	DEFLECTOR.FOR KIT 32400598-32400607
8B	32401051	1	INLET.FOR KIT 32400598 32400607
8C	32401049	1	BAYONET.FOR KIT 32400956

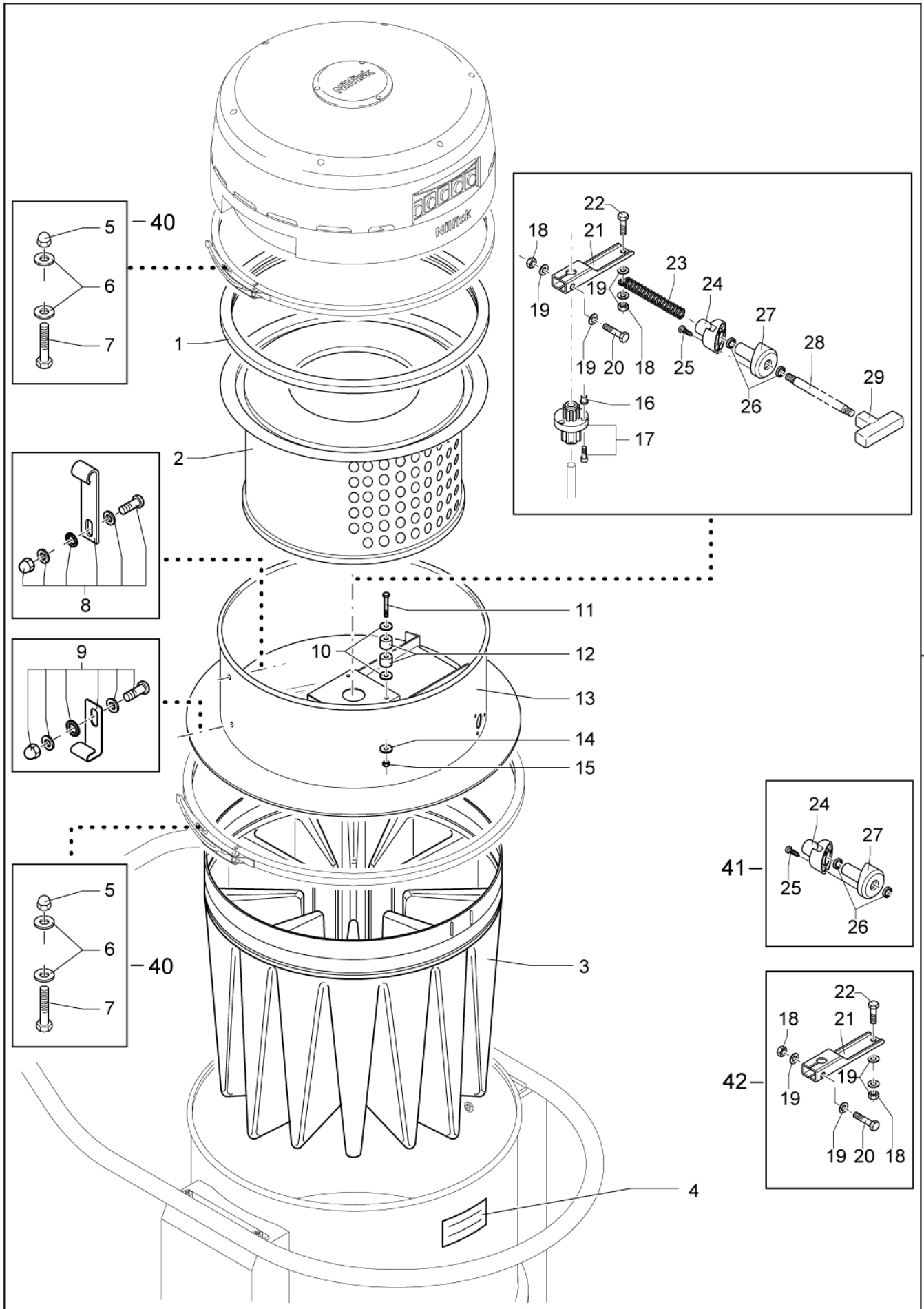
Class H. IVT 3000B-IVB 3000S-IVT 3000S

IVT 3000 S/B

08-02-2015

Part List ID
G226325

25



Class H. IVT 3000B-IVB 3000S-IVT 3000S

IVT 3000 S/B

08-02-2015

Part List ID

GZ26325

26

Pos	Part no.	Qty	Description
1	32400060	1	GASKET.FOR RING D.460
2	32400542	1	FILTER. ABSOLUTE
3	32401043	1	FILTER 32400284 POLY CL M CLASS M KIT
4	Z8 17552	1	LABEL CATEGORY H
8	32400917	1	PLATE NUT.FOR GROUNDING COMPLETE IVT/IVB
9	32401029	1	PLATE NUT.FOR GROUNDING COMPLETE IVT/IVB
13	32400742	1	LATERAL.D560
17	32400325	1	BUSHING.FILTER SHAKER KIT
23	32400658	1	SPRING.FILTER SHAKER
28	32400662	1	ROD.FILTER SHAKER
29	Z8 40027	1	KNOB D70 M12 NO HOLE
30	32400601	1	FILTER.KIT CLASS H IVT/IVB 3000 B/S
40	32401098	1	SAFETY BOLT COMPLETE H CLASS IVT/IVB
41	32401044	1	LEVER.FOR MOVING KIT COMPL.IVT/IVB
42	32401088	1	BUSH COMPL.FOR FILTERSHAKER

Exhaust filter. IVT 3000B-IVT 3000S

IVT 3000 S/B

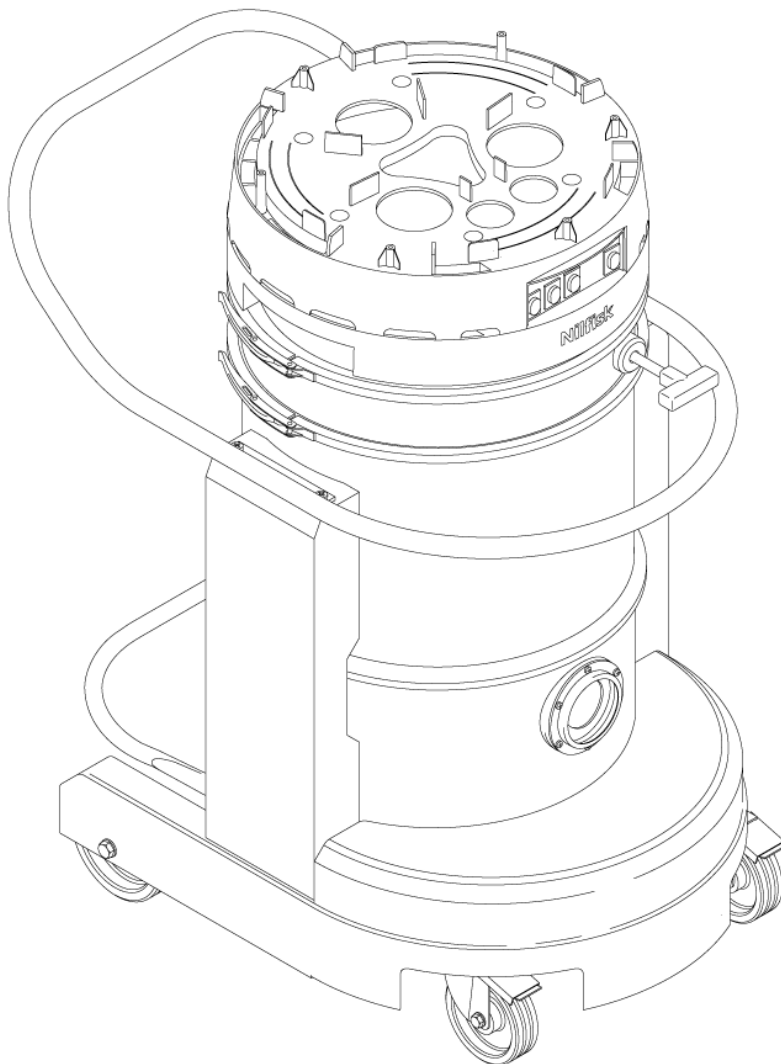
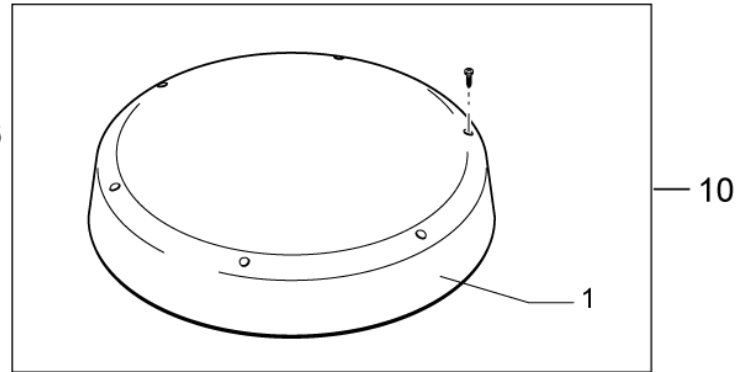
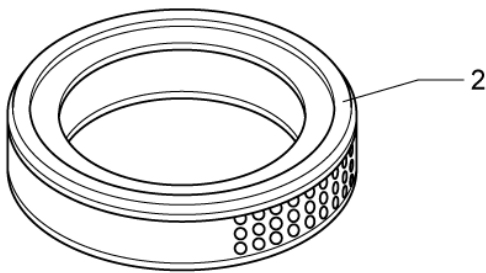
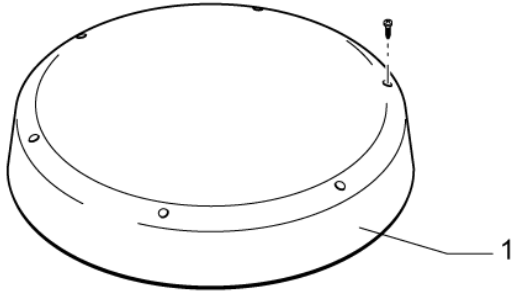
08-02-2015

Part List ID

G226327

27

ONLY FOR IVT-MODELS



Exhaust filter. IVT 3000B-IVT 3000S

IVT 3000 S/B

08-02-2015

Part List ID
GZZ26327

28

Pos	Part no.	Qty	Description
2	32400313	1	FILTER.ABSOLUTE W/O HOLE
3	32400602	1	FILTER.KIT EXHAUST IVT 2000-3000 B/S
10	32401091	1	COVER COMPLETE IVT
10	32401095	1	COVER COMPLETE IVB

S.S.Container. IVT 3000B

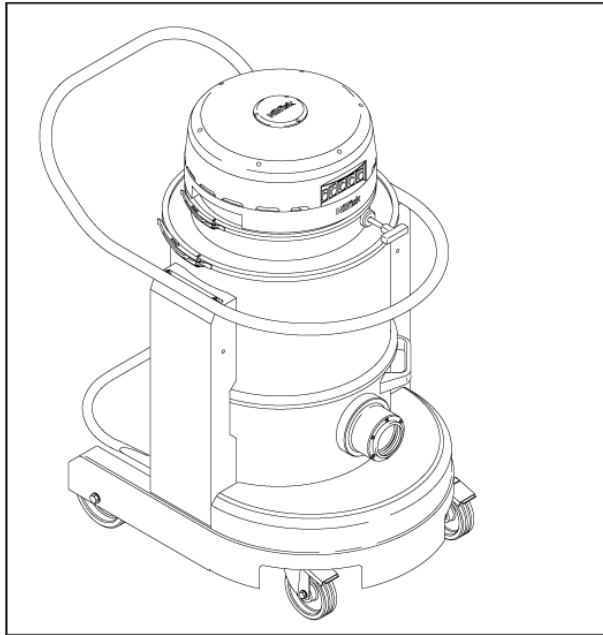
IVT 3000 S/B

08-02-2015

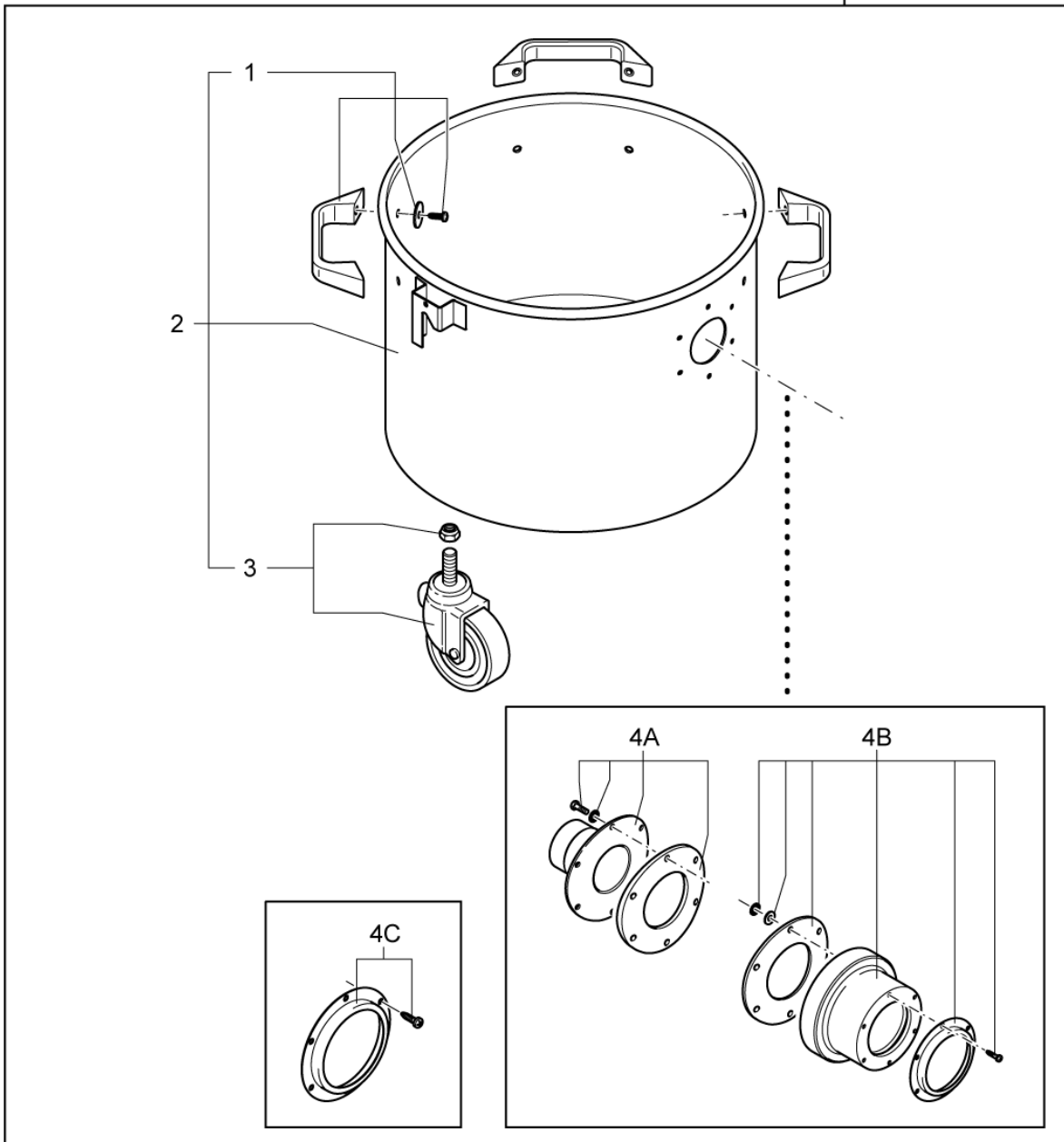
Part List ID

G226329

29



5



S.S.Container. IVT 3000B

IVT 3000 S/B

08-02-2015

Part List ID

GZZ6329

30

Pos	Part no.	Qty	Description
1	32400333	3	HANDLE.KIT FOR CONTAINER
2	32401053	1	CONTAINER.FOR S.S. CONTAINER KIT
3	32400332	4	WHEELS.CONTAINER COMPLETE IV022/040
5	32400607	1	STAINLESS STEEL.KIT IVT 3000 B
4A	32401050	1	DEFLECTOR.FOR KIT 32400598-32400607
4B	32401051	1	INLET.FOR KIT 32400598 32400607
4C	32401049	1	BAYONET.FOR KIT 32400956

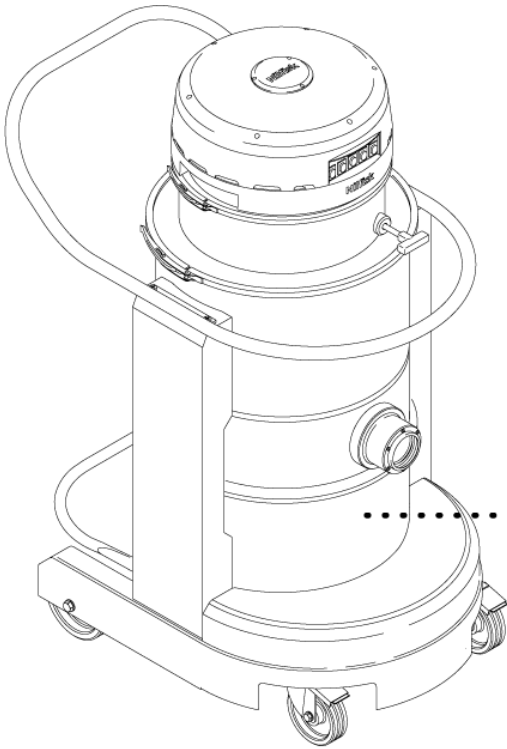
S.S.Container. IVT 3000S-IVB 3000S

IVT 3000 S/B

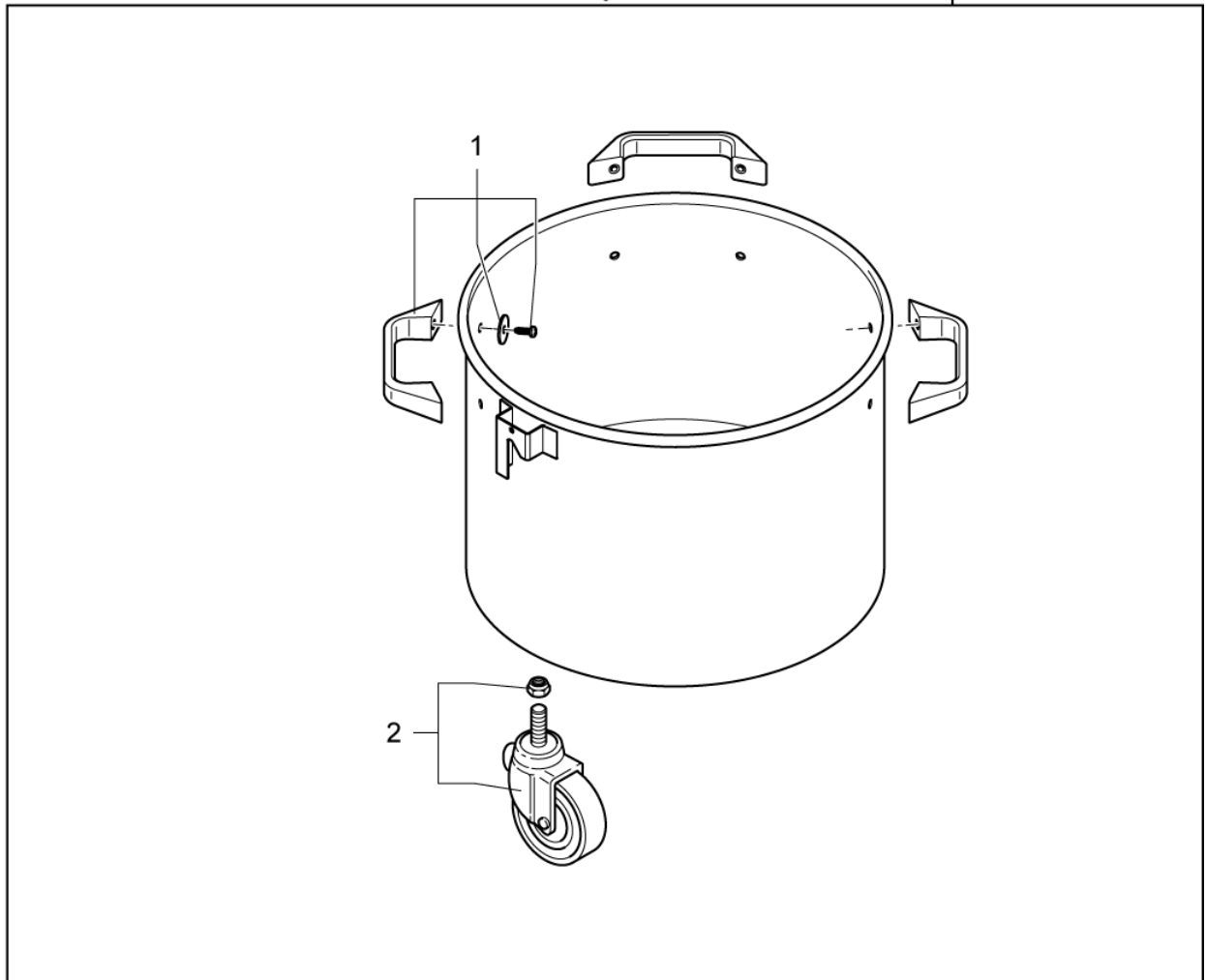
08-02-2015

Part List ID
G226331

31



3



S.S.Container. IVT 3000S-IVB 3000S

IVT 3000 S/B

08-02-2015

Part List ID
GZZ6331

32

Pos	Part no.	Qty	Description
1	32400333	3	HANDLE.KIT FOR CONTAINER
2	32400332	4	WHEELS.CONTAINER COMPLETE IV022/040
3	32400608	1	STAINLESS STEEL.KIT IVT/IVB 3000 S

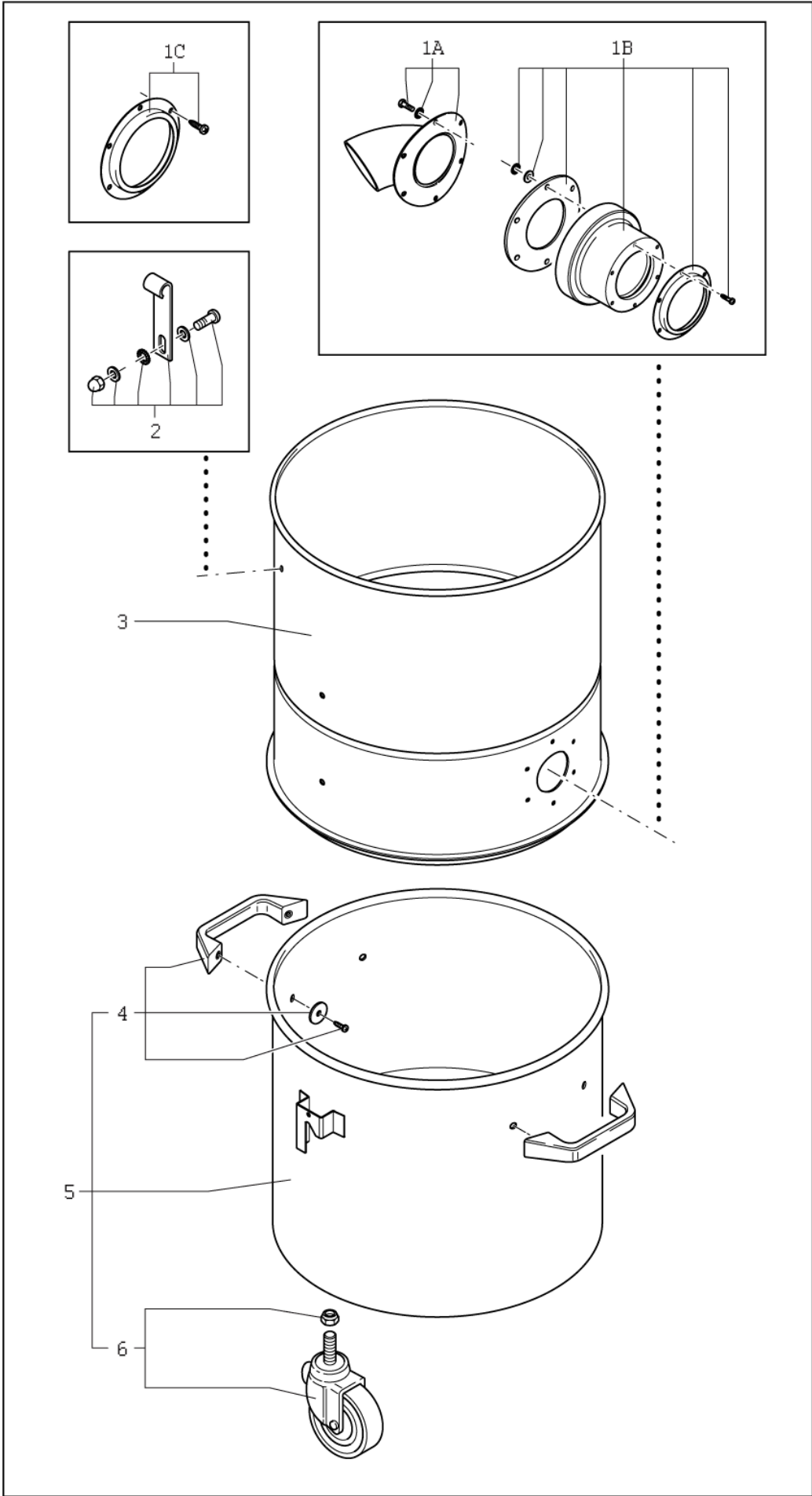
S.S.Container 100 L. IVB 3000S

IVT 3000 S/B

08-02-2015

Part List ID
G226333

33



S.S.Container 100 L. IVB 3000S

IVT 3000 S/B

08-02-2015

Part List ID
GZZ26333

34

Pos	Part no.	Qty	Description
2	32400917	1	PLATE NUT.FOR GROUNDING COMPLETE IVT/IVB
3	32400757	1	CHAMBER.FILTER D.560 X 100L
4	32400333	2	HANDLE.KIT FOR CONTAINER
5	32401054	1	CONTAINER.FOR S.S. CONTAINER KIT
6	32400332	4	WHEELS.CONTAINER COMPLETE IV022/040
7	32400610	1	STAINLESS STEEL.KIT 100L IVB 3000 S
1A	32401026	1	DEFLECTOR.KIT IVT/IVB 3000 S
1B	32401051	1	INLET.FOR KIT 32400598 32400607
1C	32401049	1	BAYONET.FOR KIT 32400956

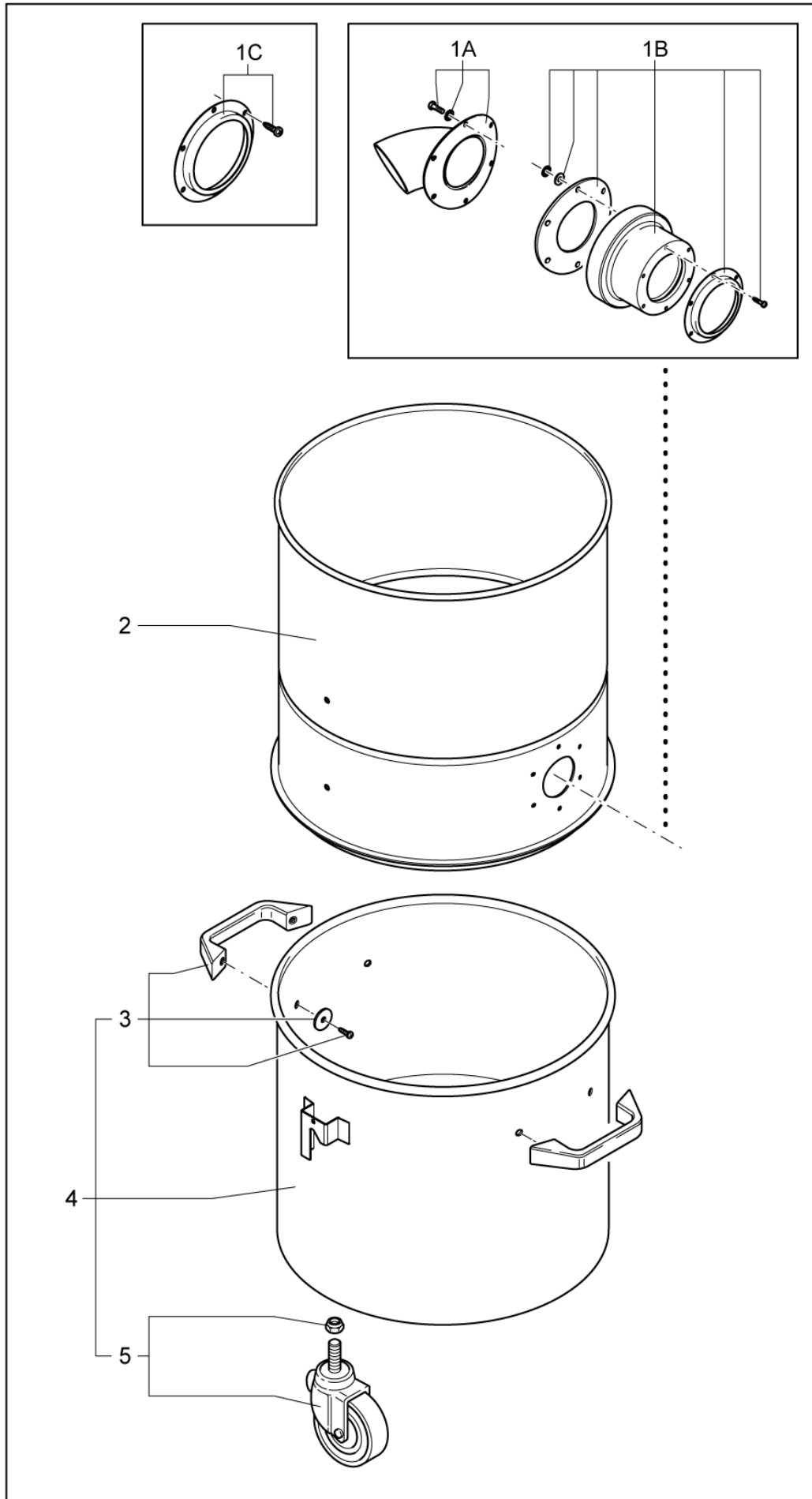
Container 100 L. IVB 3000S

IVT 3000 S/B

08-02-2015

Part List ID
G226335

35



Container 100 L. IVB 3000S

IVT 3000 S/B

08-02-2015

Part List ID
GZ26335

36

Pos	Part no.	Qty	Description
2	32400917	1	PLATE NUT.FOR GROUNDING COMPLETE IVT/IVB
3	32400757	1	CHAMBER.FILTER D.560 X 100L
4	32400333	2	HANDLE.KIT FOR CONTAINER
5	32401055	1	CONTAINER.FOR S.S. CONTAINER KIT
6	32400332	4	WHEELS.CONTAINER COMPLETE IV022/040
7	32400611	1	STANDARD DUSTBIN 100 L IVB 3000 S
1A	32401026	1	DEFLECTOR.KIT IVT/IVB 3000 S
1B	32401051	1	INLET.FOR KIT 32400598 32400607
1C	32401049	1	BAYONET.FOR KIT 32400956

Plastic bag system. IVT 3000S-IVB 3000S

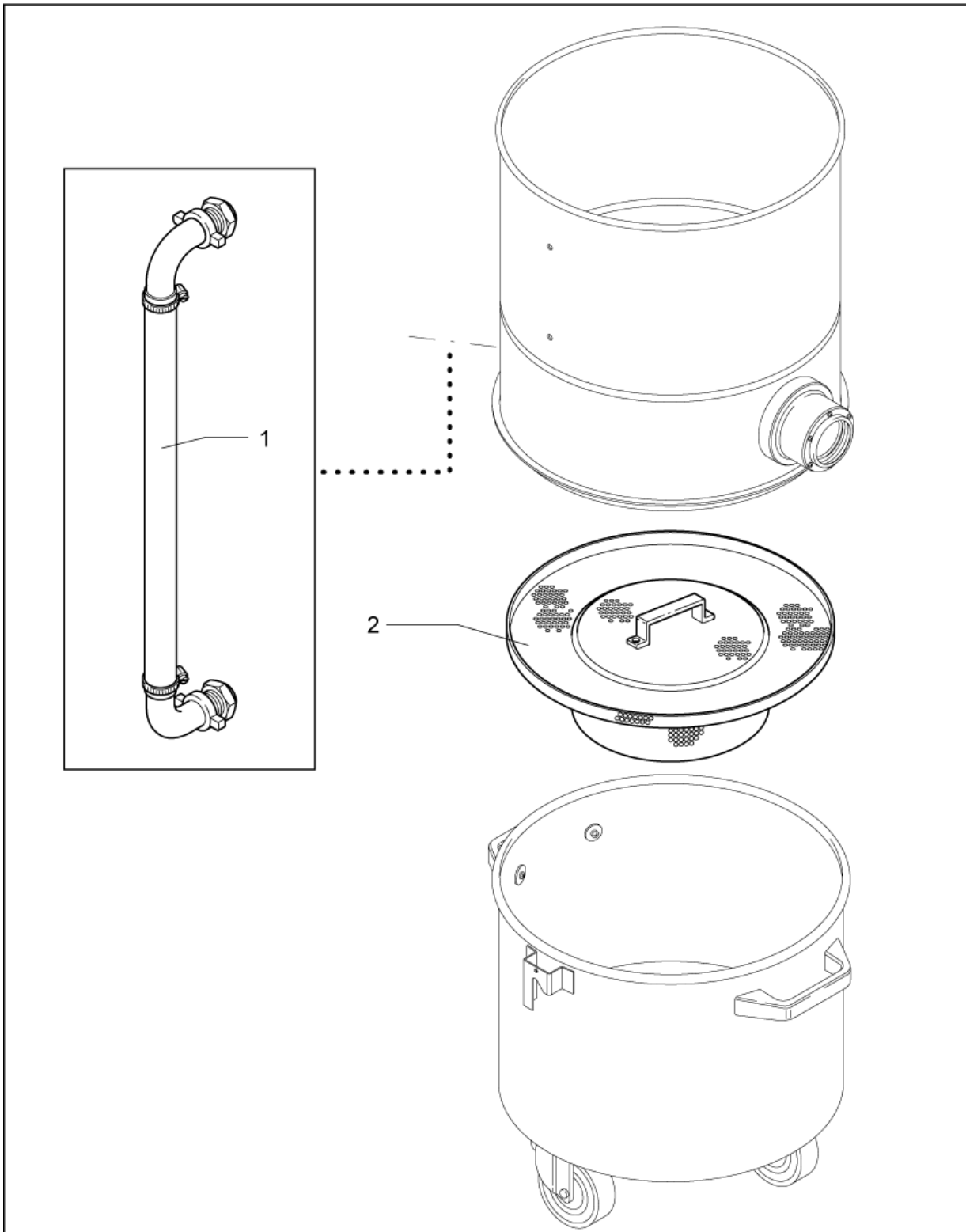
IVT 3000 S/B

08-02-2015

Part List ID

G226337

37



Plastic bag system. IVT 3000S-IVB 3000S

IVT 3000 S/B

08-02-2015

Part List ID

GZZ6337

38

Pos	Part no.	Qty	Description
1	32400659	1	PIPE DEPRESSOR
2	Z8 31221	1	CONTAINER GRID D460 ZINC
3	32400612	1	PLASTIC BAG.KIT IVT/IVB 2000 S
4	82366400	1	PLASTIC BAGS KLAR 5PCS
4	82366500	1	PLASTIC BAGS BLUE 5PCS
4	82366600	1	PLASTIC BAGS RED 5PCS

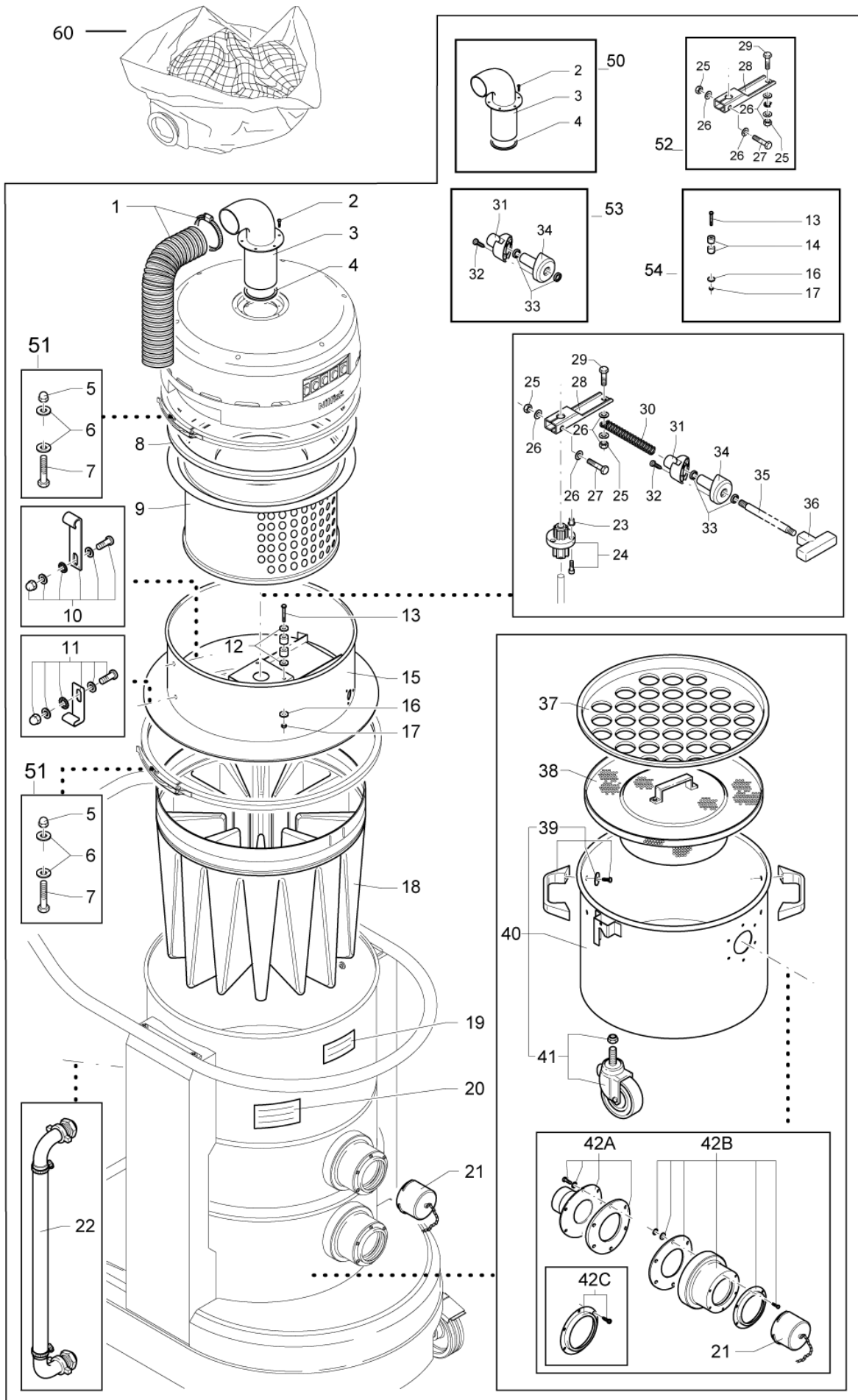
Asbestos. IVB 3000S

IVT 3000 S/B

08-02-2015

Part List ID
G226339

39



Asbestos. IVB 3000S

IVT 3000 S/B

08-02-2015

Part List ID

GZ26339

40

Pos	Part no.	Qty	Description
1	32401056	1	HOSE. FOR BLOWING KIT 32400614
8	32400060	1	GASKET.FOR RING D.460
9	32400542	1	FILTER. ABSOLUTE
10	32400917	1	PLATE NUT.FOR GROUNDING COMPLETE IVT/IVB
11	32401029	1	PLATE NUT.FOR GROUNDING COMPLETE IVT/IVB
15	32400742	1	LATERAL.D560
18	32401043	1	FILTER 32400284 POLY CL M CLASS M KIT
19	Z8 17552	1	LABEL CATEGORY H
20	Z8 17573	1	ABSESTOS LABEL KIT
21	L04003200	2	BLIND SHUTTER Ø 50 MM
22	32400659	1	PIPE DEPRESSOR
30	32400658	1	SPRING.FILTER SHAKER
35	32400662	1	ROD.FILTER SHAKER
36	Z8 40027	1	KNOB D70 M12 NO HOLE
37	32400570	1	GRID .SUPERIOR
38	Z8 31231	1	CONTAINER GRID D560 FE
39	32400333	3	HANDLE.KIT FOR CONTAINER
40	32400942	1	CONTAINER.KIT COMPLETE IVT 3000 B
41	32400332	4	WHEELS.CONTAINER COMPLETE IV022/040
43	32400615	1	ASBESTOS.KIT 70L IVB 3000 S
50	32401099	1	CONNECTOR COMPL. IVB 2000/3000 ASBESTOS
51	32401098	1	SAFETY BOLT COMPLETE H CLASS IVT/IVB
52	32401044	1	LEVER.FOR MOVING KIT COMPL.IVT/IVB
53	32401088	1	BUSH COMPL.FOR FILTERSHAKER
60	L03034000	1	DUST SAFE BAG SYSTEM 1PC
42A	32401050	1	DEFLECTOR.FOR KIT 32400598-32400607
42B	32401051	1	INLET.FOR KIT 32400598 32400607
42C	32401049	1	BAYONET.FOR KIT 32400956

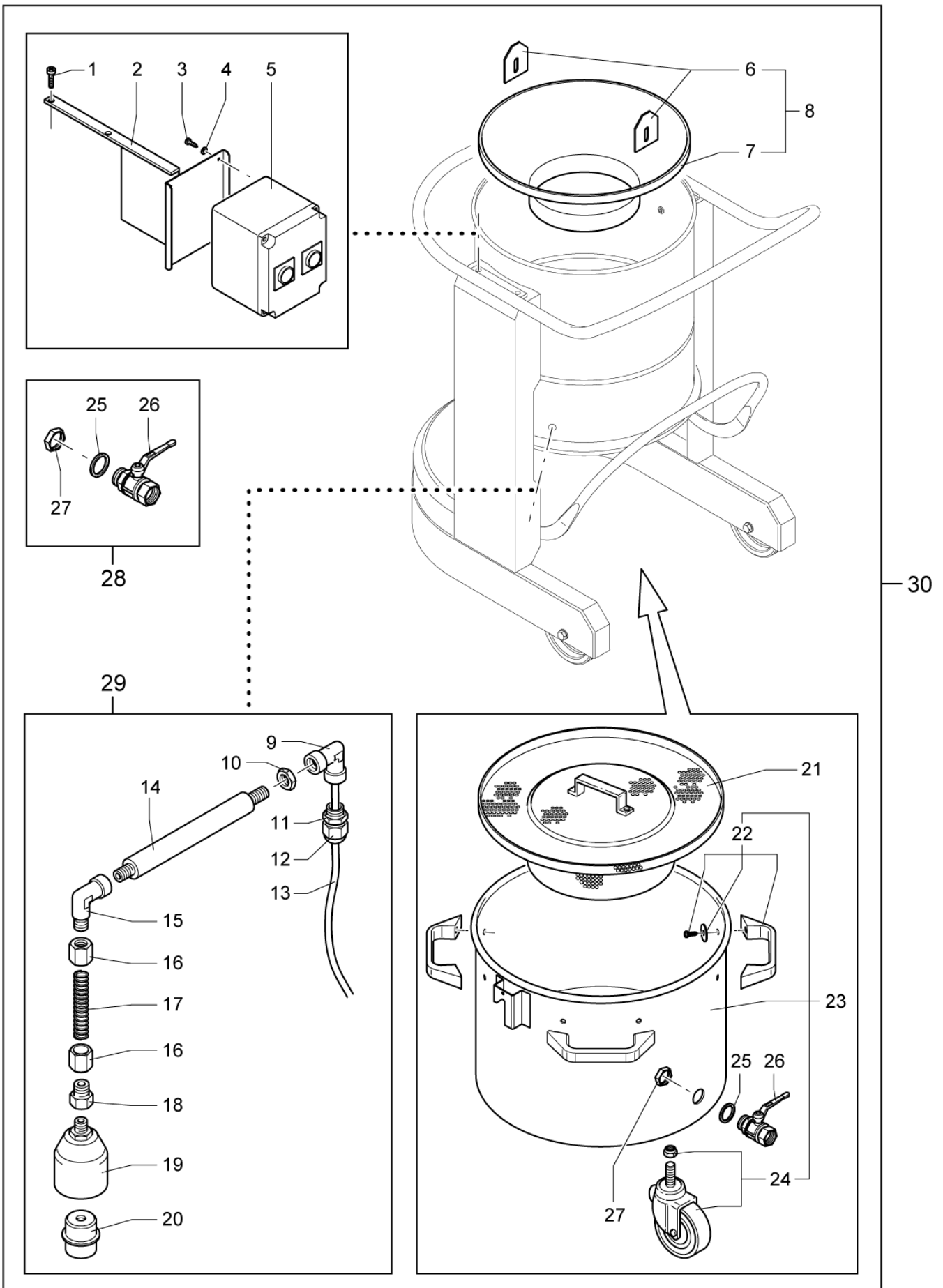
Liqued system. 230V. IVB 3000S

IVT 3000 S/B

08-02-2015

Part List ID
G226341

41



Liqued system. 230V. IVB 3000S

IVT 3000 S/B

08-02-2015

Part List ID

GZ26341

42

Pos	Part no.	Qty	Description
5	32400765	1	ELECTRICAL BOARD 230 V LIQUID KIT
8	32401060	1	D.560 SPLASH GUARD. LIQUID KIT IVB 3000
21	Z8 31251	1	CONTAINER GRID D560 INOX
22	32400333	3	HANDLE.KIT FOR CONTAINER
23	32401061	1	CONTAINER.KIT COMPLETE IVB 3000 S KIT
24	32400332	4	WHEELS.CONTAINER COMPLETE IV022/040
28	32400798	1	TAP.COMPLETE IV022/040
29	32401059	1	SENSOR.X LIQUID KIT COMPL IVB 2000 S KIT
30	32400617	1	LIQUID.KIT 230 V 70L IVB 3000 S

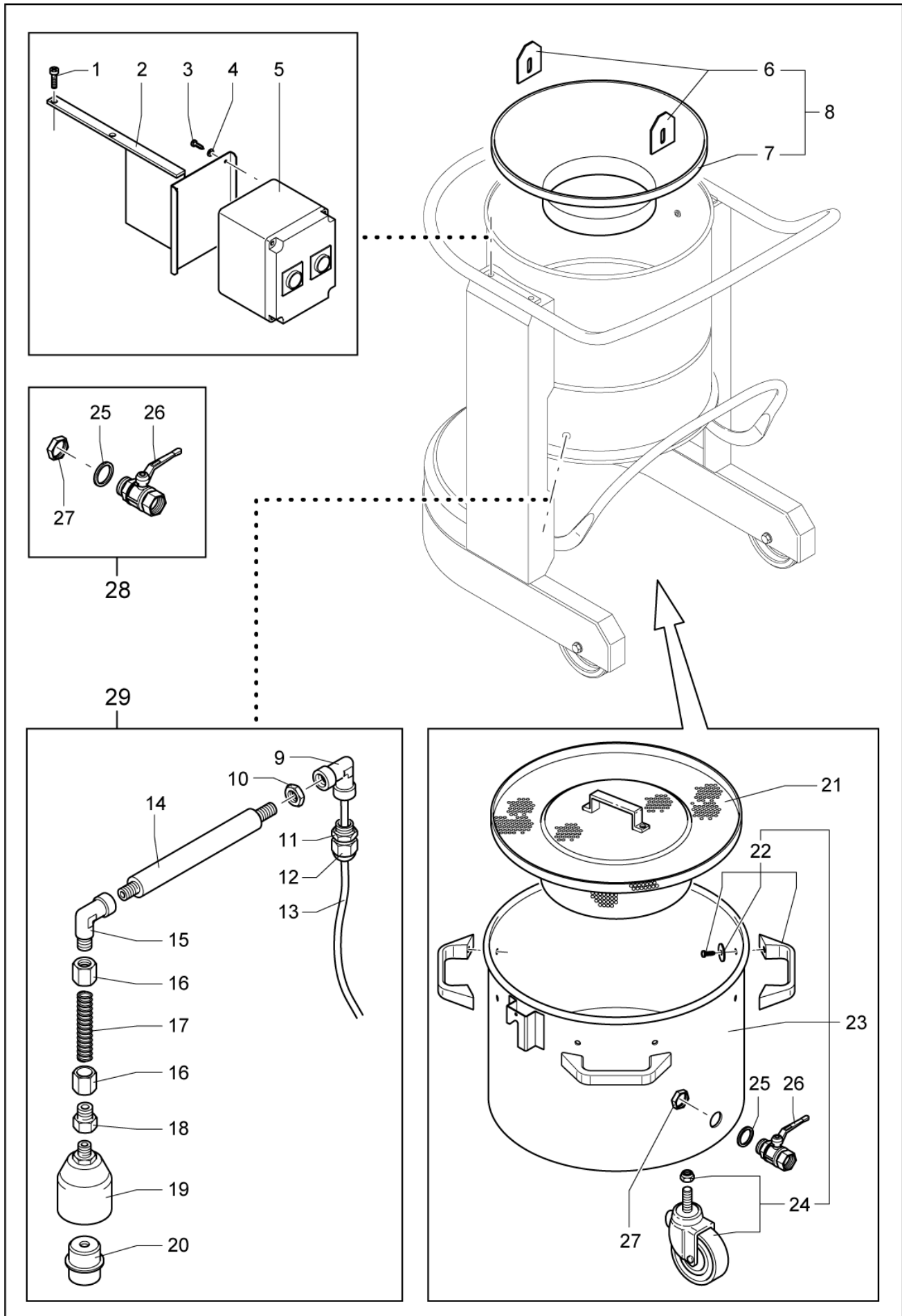
Liqued system. 110V. IVB 3000S

IVT 3000 S/B

08-02-2015

Part List ID
G226343

43



Liqued system. 110V. IVB 3000S

IVT 3000 S/B

08-02-2015

Part List ID

GZZ6343

44

Pos	Part no.	Qty	Description
5	32400770	1	ELECTRICAL BOARD 110 V LIQUID KIT
8	32401060	1	D.560 SPLASH GUARD. LIQUID KIT IVB 3000
21	Z8 31251	1	CONTAINER GRID D560 INOX
22	32400333	3	HANDLE.KIT FOR CONTAINER
23	32401061	1	CONTAINER.KIT COMPLETE IVB 3000 S KIT
24	32400332	4	WHEELS.CONTAINER COMPLETE IV022/040
28	32400798	1	TAP.COMPOSITE IV022/040
29	32401062	1	SENSOR.X LIQUID KIT COMPL KIT
30	32400641	1	LIQUID.KIT 110V 70L IVB 3000 S

Steel Basket system. IVT 3000B-IVT 3000S-IVB 30

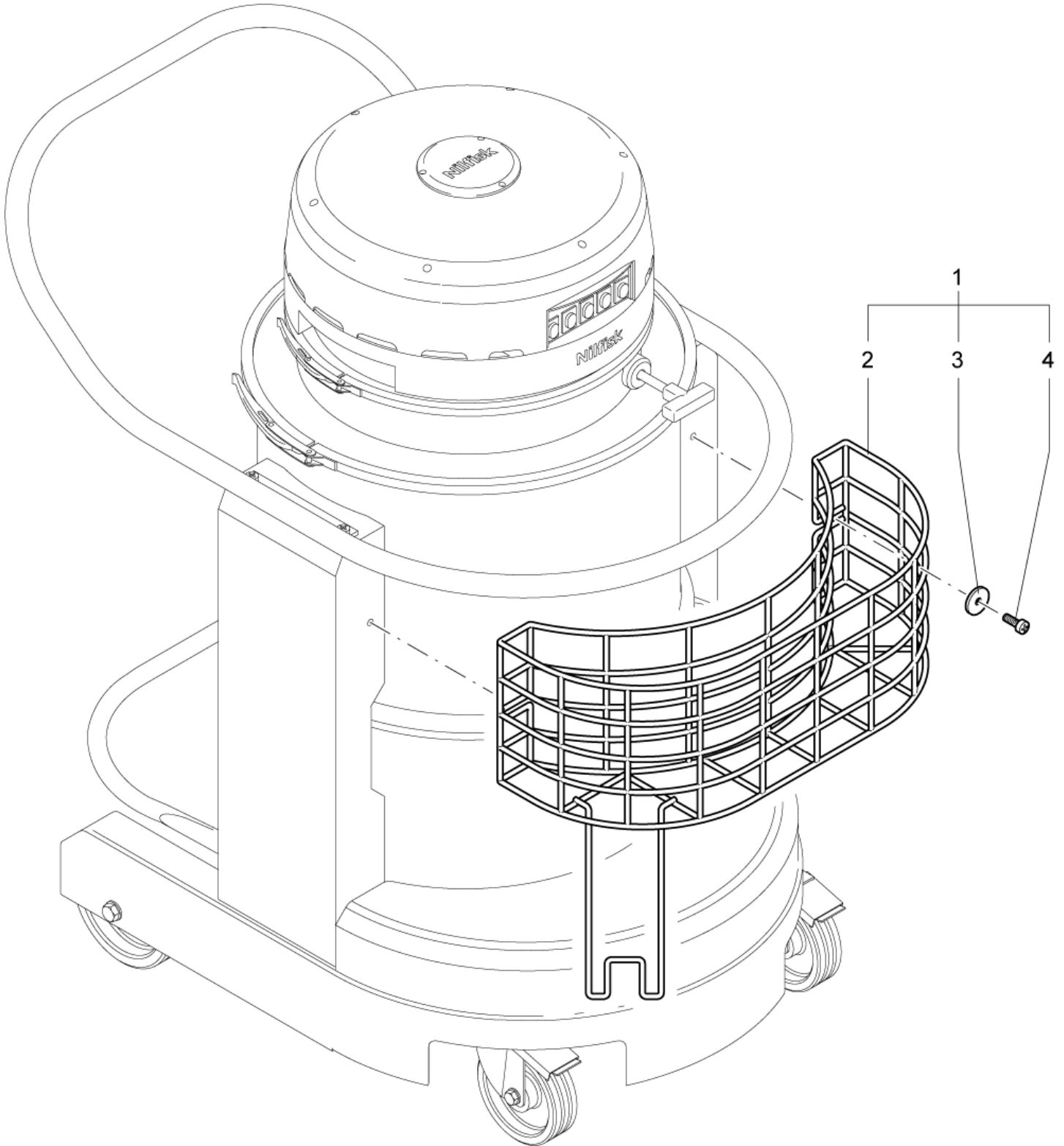
IVT 3000 S/B

08-02-2015

Part List ID

G226345

45



Steel Basket system. IVT 3000B-IVT 3000S-IVB 30

IVT 3000 S/B

08-02-2015

Part List ID

GZZ6345

46

Pos	Part no.	Qty	Description
1	32400819	1	TOOL BASKET IVT/IVB 3000 B/S
2	32400824	1	CONTAINER.D.560 FOR ACCESSORIES

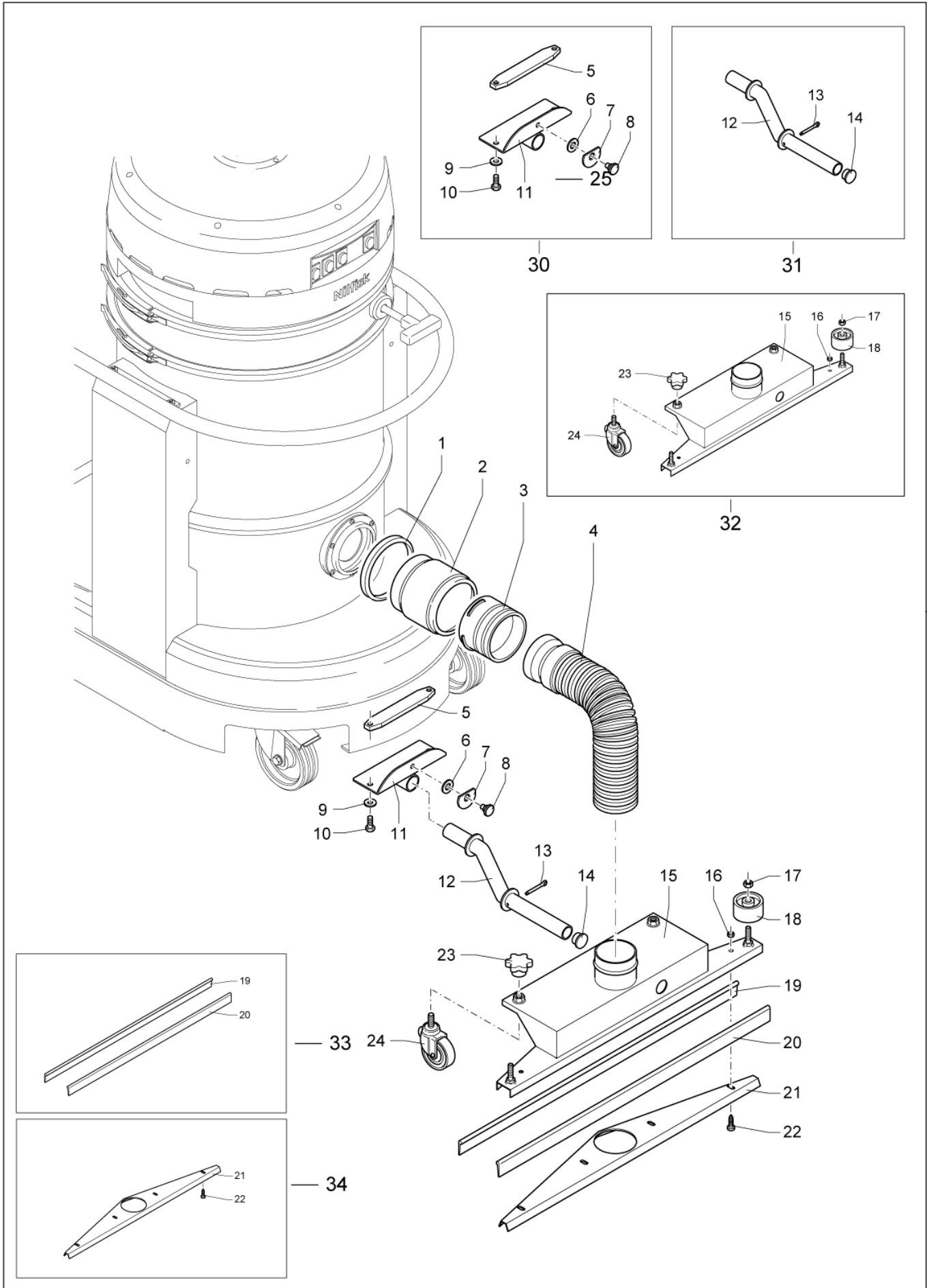
Fixed floor nozzle. IVT 3000B

IVT 3000 S/B

08-02-2015

Part List ID
G226347

47



25

Fixed floor nozzle. IVT 3000B

IVT 3000 S/B

08-02-2015

Part List ID

GZZ6347

48

Pos	Part no.	Qty	Description
1	22344200	1	SLEEVE
2	22344200	1	SLEEVE
3	22344200	1	SLEEVE
4	61732900	1	HOSE FRONT-MOUNT 570MM
25	32400820	1	FIXED FLOOR NOZZLE KIT 600 MM IVT
30	32401100	1	FIXING PLATE COMPL. FOR NOZZLE IVT/IVB
31	32401101	1	AXEL FOR FIXED FLOOR NOZZLE COMPLETE
32	32401102	1	TROLLEY COMPL.FIXED FLOOR NOZZLE IVT/IVB
33	32401103	1	SET OF RUBBER BLADES COMPL.FIXED FLOOR
34	32401104	1	RUBBERSTOP COMPL.FIXED FLOOR NOZZLE