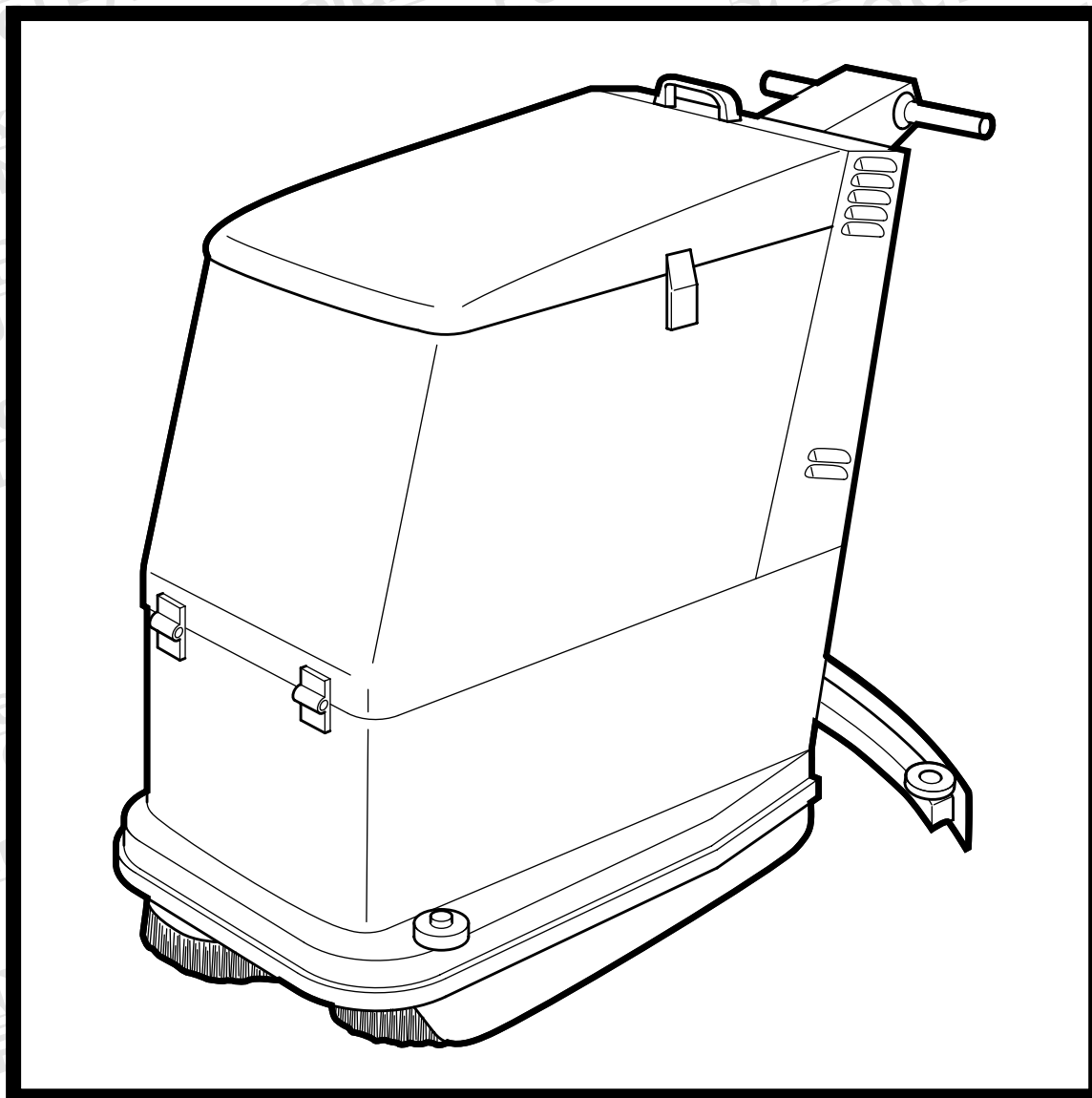


# **Electrolux** **EUROCLEAN**

**W 375 B**



Cod. S32E37IUKFD DIC.96

**MANUALE PARTI DI RICAMBIO**  
**SPARE PARTS LIST**  
**LISTE DES PIECES DETACHEES**  
**ERSATZTEILLISTE**  
**RESERVDELSLISTA**

ACCESSORIO  
OPTIONAL  
ACCESSOIRES  
ZUBEHÖR

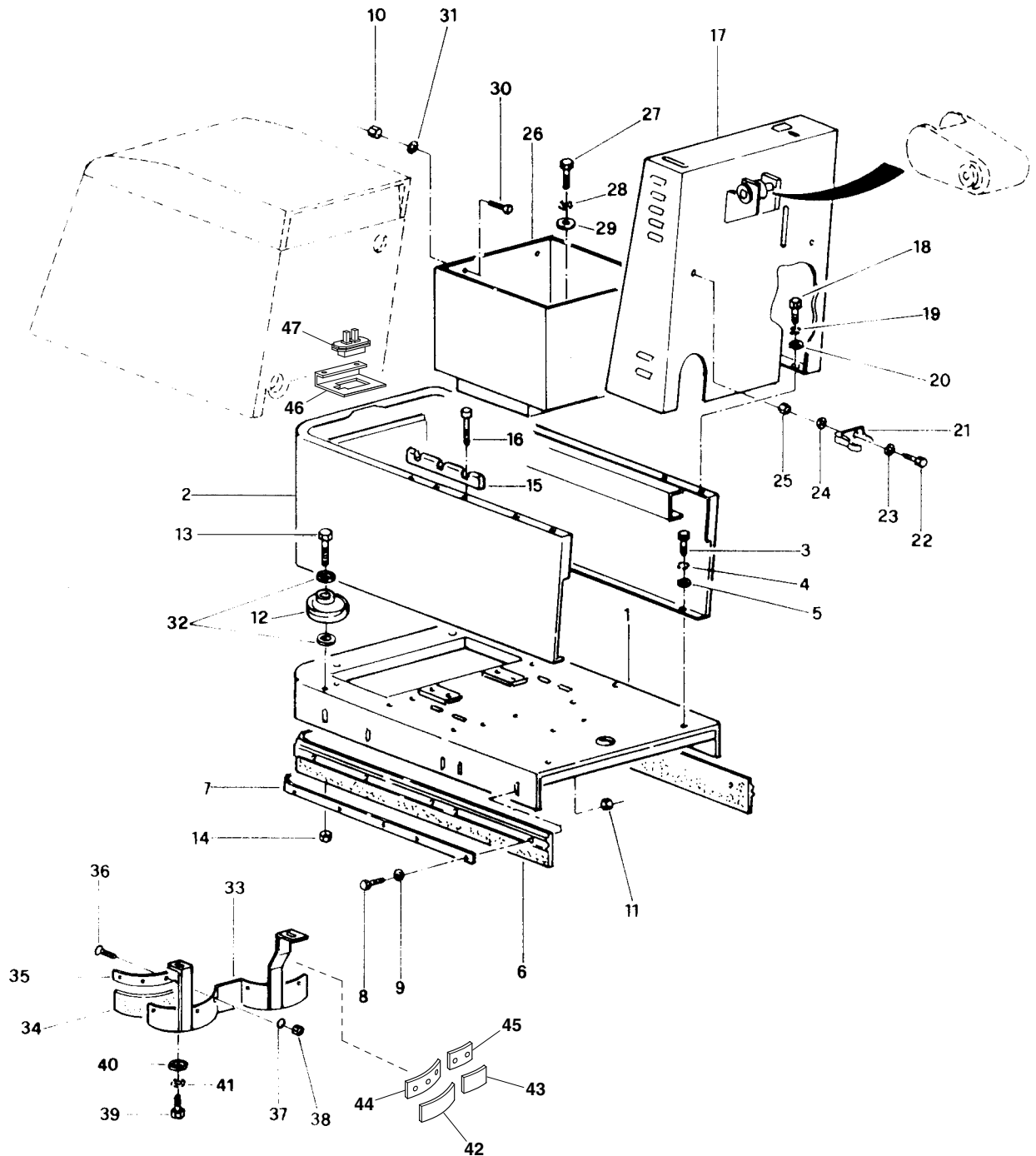
VERSIONE CON CAVO 220V  
MAINS VERSION  
VERSION AVEC CABLE 220V  
MODELL MIT KABEL 220V

VERSIONE A BATTERIA  
BATTERY VERSION  
VERSION A BATTERIE  
BATTERIE MODELL

POSIZ. ITEM POS. EINSAT.	CODICE CODE CODE CODE	DESCRIZIONE DESCRIPTION DESCRIPTION BEZEICHNUNG	B	M	O

# TAV. A / DRAW. A / VUE A / ZEICHN. A

W375 B



# TAV. A / DRAW. A / VUE A / ZEICHN. A

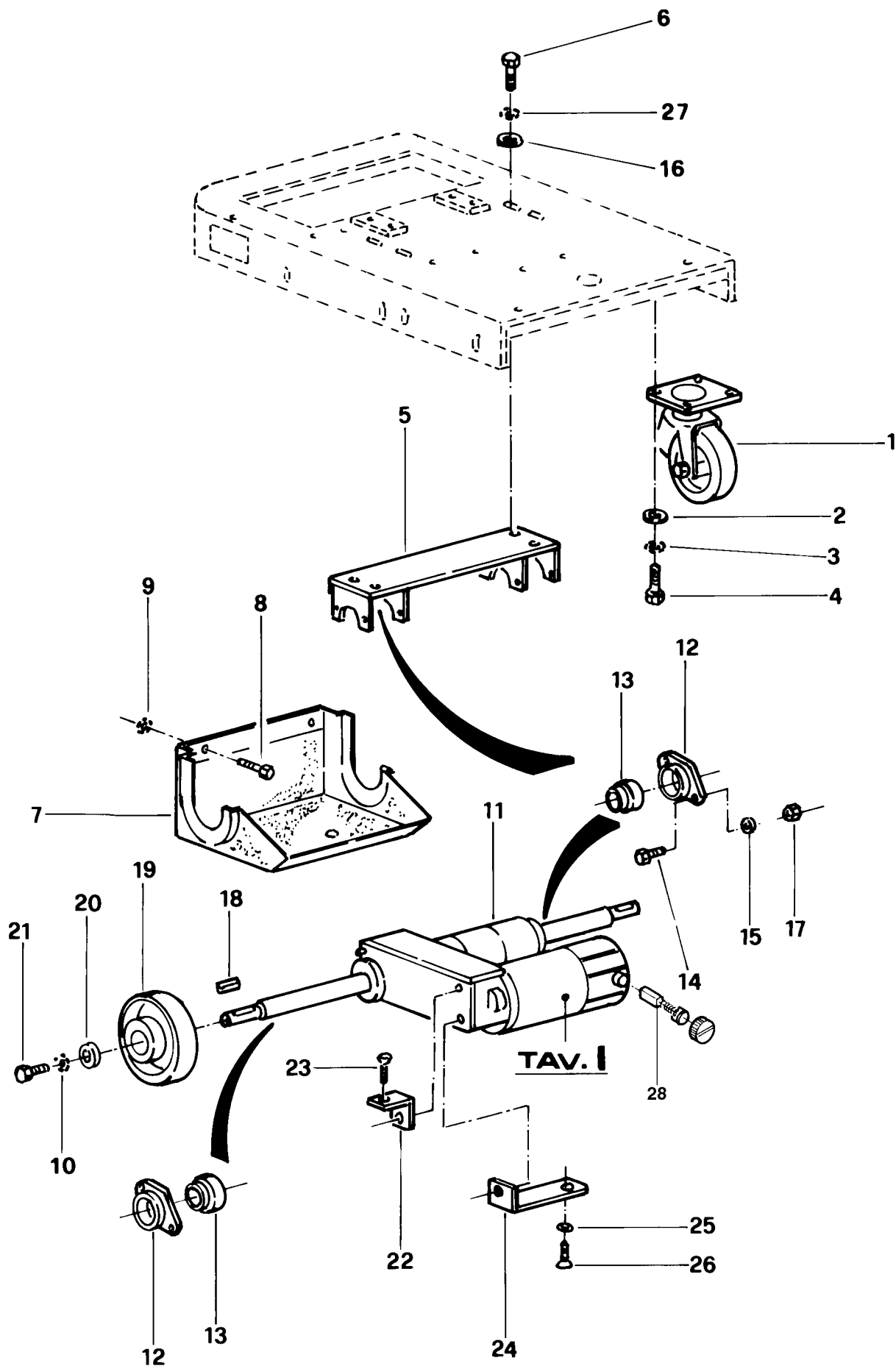
POSIZ. ITEM POS. EINSAT.	CODICE CODE CODE CODE	DESCRIZIONE DESCRIPTION DESCRIPTION BEZEICHNUNG	W375 B		
			B	M	O
1	F01.20801	TELAIO / FRAME / CHASSIS / RAHMEN	1		
2	F04.17401	CARENATURA / COVER/ BATI / VERKLEIDUNG	1		
3	V02.00210	VITE / SCREW / VIS / SCHRAUBE	9		
4	V19.00410	RONDELLA / WASHER / RONDELLE / BEILAGSCHEIBE	9		
5	V09.02210	RONDELLA / WASHER / RONDELLE / BEILAGSCHEIBE	9		
6	H02.27400	PARASPRUZZI / SPLASHGUARD / BNAVETTE GUARD BOUE / SPRITZENS.	1		
7	F03.58900	PIATTINA / PLATE / PLAQUE / BAND	1		
8	V02.07310	VITE / SCREW / VIS / SCHRAUBE	10		
9	V09.00210	RONDELLA / WASHER / RONDELLE / BEILAGSCHEIBE	10		
10	V13.01910	DADO / NUT / ECROU / MUTTER	2		
11	V13.06110	DADO / NUT / ECROU / MUTTER	15		
12	D00.05500	RUOTA / WHEEL / ROUE / RAD	2		
13	V02.03110	VITE / SCREW / VIS / SCHRAUBE	2		
14	V13.02010	DADO / NUT / ECROU / MUTTER	2		
15	F03.66400	GUIDA / SLIDE / GUIDE / FUEHRUNGSBAHN	2		
16	V04.05010	VITE / SCREW / VIS / SCHRAUBE	6		
17	F04.17501	SUPPORTO / SUPPORT / SUPPORT / HALTER	1		
18	V02.01210	VITE / SCREW / VIS / SCHRAUBE	4		
19	V19.00510	RONDELLA / WASHER / RONDELLE / BEILAGSCHEIBE	4		
20	V09.00510	RONDELLA / WASHER / RONDELLE / BEILAGSCHEIBE	4		
21	E04.07600	COLLARE / COLLAR / BRIDE / SCHELLE	2		
22	V02.02310	VITE / SCREW / VIS / SCHRAUBE	2		
23	V09.05310	RONDELLA / WASHER / RONDELLE / BEILAGSCHEIBE	2		
24	V09.04903	RONDELLA / WASHER / RONDELLE / BEILAGSCHEIBE	2		
25	V13.01810	DADO / NUT / ECROU / MUTTER	2		
26	F04.16701	CONTENITORE / CONTAINER / BAC / BEHALTER	1		
27	V02.01310	VITE / SCREW / VIS / SCHRAUBE	2		
28	V19.00510	RONDELLA / WASHER / RONDELLE / BEILAGSCHEIBE	2		
29	V09.02010	RONDELLA / WASHER / RONDELLE / BEILAGSCHEIBE	2		
30	V03.00410	VITE / SCREW / VIS / SCHRAUBE	2		
31	V09.02210	RONDELLA / WASHER / RONDELLE / BEILAGSCHEIBE	2		
32	V09.00510	RONDELLA / WASHER / RONDELLE / BEILAGSCHEIBE	4		
33	F04.18400	GUIDA / SLIDE / GUIDE / FUEHRUNGSBAHN	1		
34	H02.27300	FLAP / FLAP / BAVETTE / FLAP GUMMI	1		
35	F03.58800	PIATTINA / PLATE / PLAQUE / BAND	1		
36	V03.00310	VITE / SCREW / VIS / SCHRAUBE	6		
37	V09.00410	RONDELLA / WASHER / RONDELLE / BEILAGSCHEIBE	6		
38	V13.01910	DADO / NUT / ECROU / MUTTER	6		
39	V02.00310	VITE / SCREW / VIS / SCHRAUBE	2		
40	V09.02210	RONDELLA / WASHER / RONDELLE / BEILAGSCHEIBE	2		
41	V19.00410	RONDELLA / WASHER / RONDELLE / BEILAGSCHEIBE	2		
42	H02.34390	FLAP / FLAP / BAVETTE / FLAP GUMM	1		
43	H02.34380	FLAP / FLAP / BAVETTE / FLAP GUMM	1		
44	F03.69220	PIATTINA / PLATE / PLAQUE / BAND	1		
45	F03.69190	PIATTINA / PLATE / PLAQUE / BAND	1		
46	F03.69440	PIASTRA / PLATE / PLAQUE / BAND	1		

# TAV. A / DRAW. A / VUE A / ZEICHN. A

POSIZ. ITEM POS. EINSAT.	CODICE CODE CODE CODE	DESCRIZIONE DESCRIPTION DESCRIPTION BEZEICHNUNG	W375 B		
			B	M	O
47	G05.11120	INTERRUTTORE / SWITCH / INTERRUPTEUR / SCHALTER	1		

# TAV. B / DRAW. B / VUE B / ZEICHN. B

W375 B

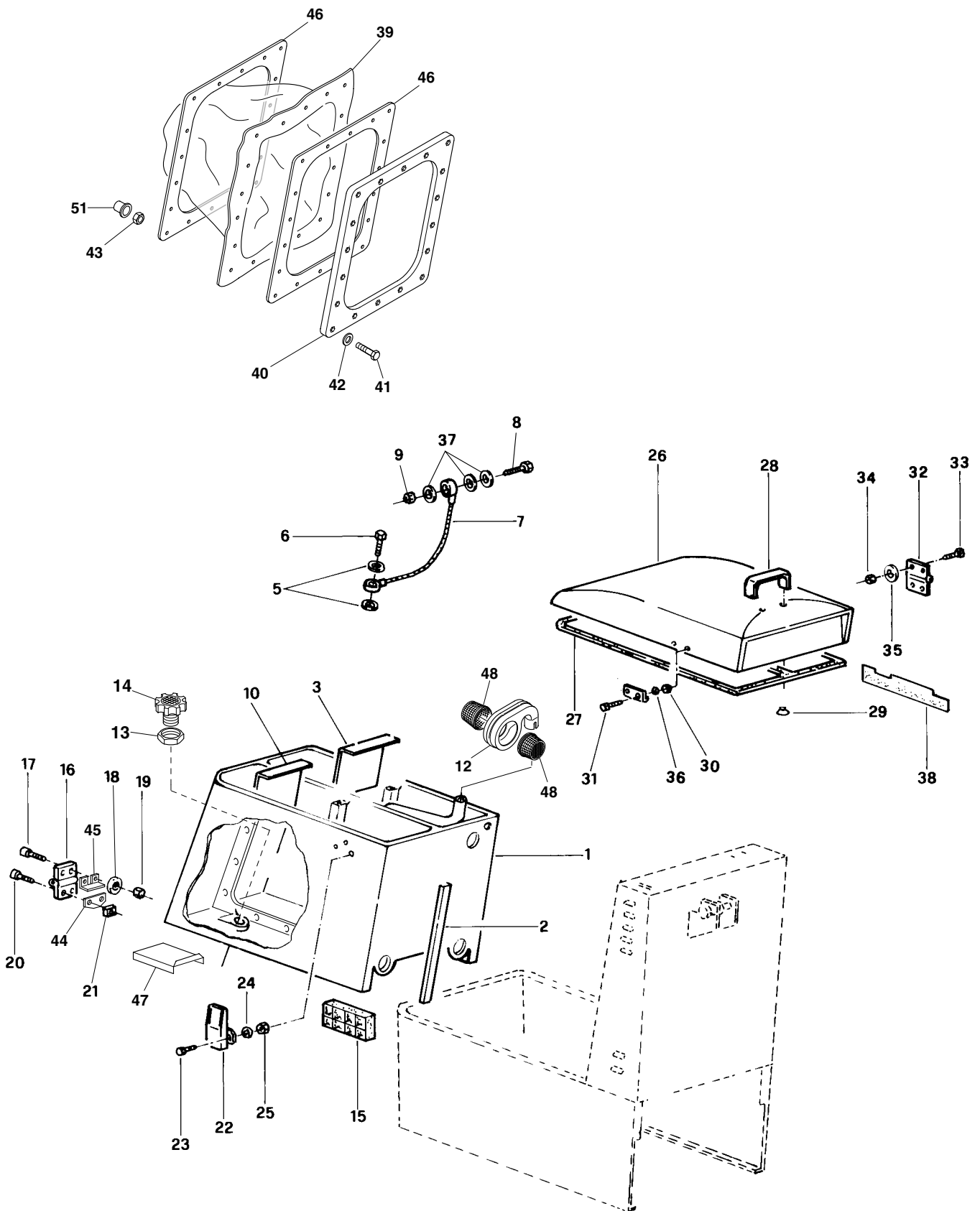


# TAV. B / DRAW. B / VUE B / ZEICHN. B

POSIZ. ITEM POS. EINSAT.	CODICE CODE CODE CODE	DESCRIZIONE DESCRIPTION DESCRIPTION BEZEICHNUNG	W375 B		
			B	M	O
1	D00.06600	RUOTA / WHEEL / ROUE / RAD	2		
2	V09.02010	RONDELLA / WASHER / RONDELLE / BEILAGSCHEIBE	8		
3	V19.00510	RONDELLA / WASHER / RONDELLE / BEILAGSCHEIBE	8		
4	V02.01310	VITE / SCREW / VIS / SCHRAUBE	8		
5	F04.17201	SUPPORTO / SUPPORT / SUPPORT / HALTER	1		
6	V02.01410	VITE / SCREW / VIS / SCHRAUBE	4		
7	H01.22700	CARTER / CRANKCASE / CARTER / GEHAEUSE	1		
8	V02.00310	VITE / SCREW / VIS / SCHRAUBE	2		
9	V19.00410	RONDELLA / WASHER / RONDELLE / BEILAGSCHEIBE	2		
10	V19.00510	RONDELLA / WASHER / RONDELLE / BEILAGSCHEIBE	2		
11	A00.06700	MOTORE / MOTOR / MOTEUR / MOTOR	1		
12	C04.01800	SUPPORTO / SUPPORT / SUPPORT / HALTER	4		
13	E00.05000	CUSCINETTO / BALL BEARING / ROULEMENT / LAGER	4		
14	V02.01310	VITE / SCREW / VIS / SCHRAUBE	8		
15	V09.00510	RONDELLA / WASHER / RONDELLE / BEILAGSCHEIBE	8		
16	V09.02010	RONDELLA / WASHER / RONDELLE / BEILAGSCHEIBE	4		
17	V13.02010	DADO / NUT / ECROU / MUT	8		
18	V17.10200	LINGUETTA / TAB / CLAVETTE / KEIL	2		
19	D00.06500	RUOTA / WHEEL / ROUE / RAD	2		
20	V09.02010	RONDELLA / WASHER / RONDELLE / BEILAGSCHEIBE	2		
21	V02.01310	VITE / SCREW / VIS / SCHRAUBE	2		
22	F03.51402	SUPPORTO / SUPPORT / SUPPORT / HALTER	1		
23	V03.00410	VITE / SCREW / VIS / SCHRAUBE	1		
24	F04.15600	SUPPORTO / SUPPORT / SUPPORT / HALTER	1		
25	V11.02330	RONDELLA / WASHER / RONDELLE / BEILAGSCHEIBE	1		
26	V03.00310	VITE / SCREW / VIS / SCHRAUBE	1		
27	V19.00510	RONDELLA / WASHER / RONDELLE / BEILAGSCHEIBE	4		
28	A11.00800	CARBONCINO / CARBON BRUSH / BROSSSE MOTEUR / KOLLEKTORBÜERSTE	2		

# TAV. C / DRAW. C / VUE C / ZEICHN. C

W375 B





# TAV. C / DRAW. C / VUE C / ZEICHN. C

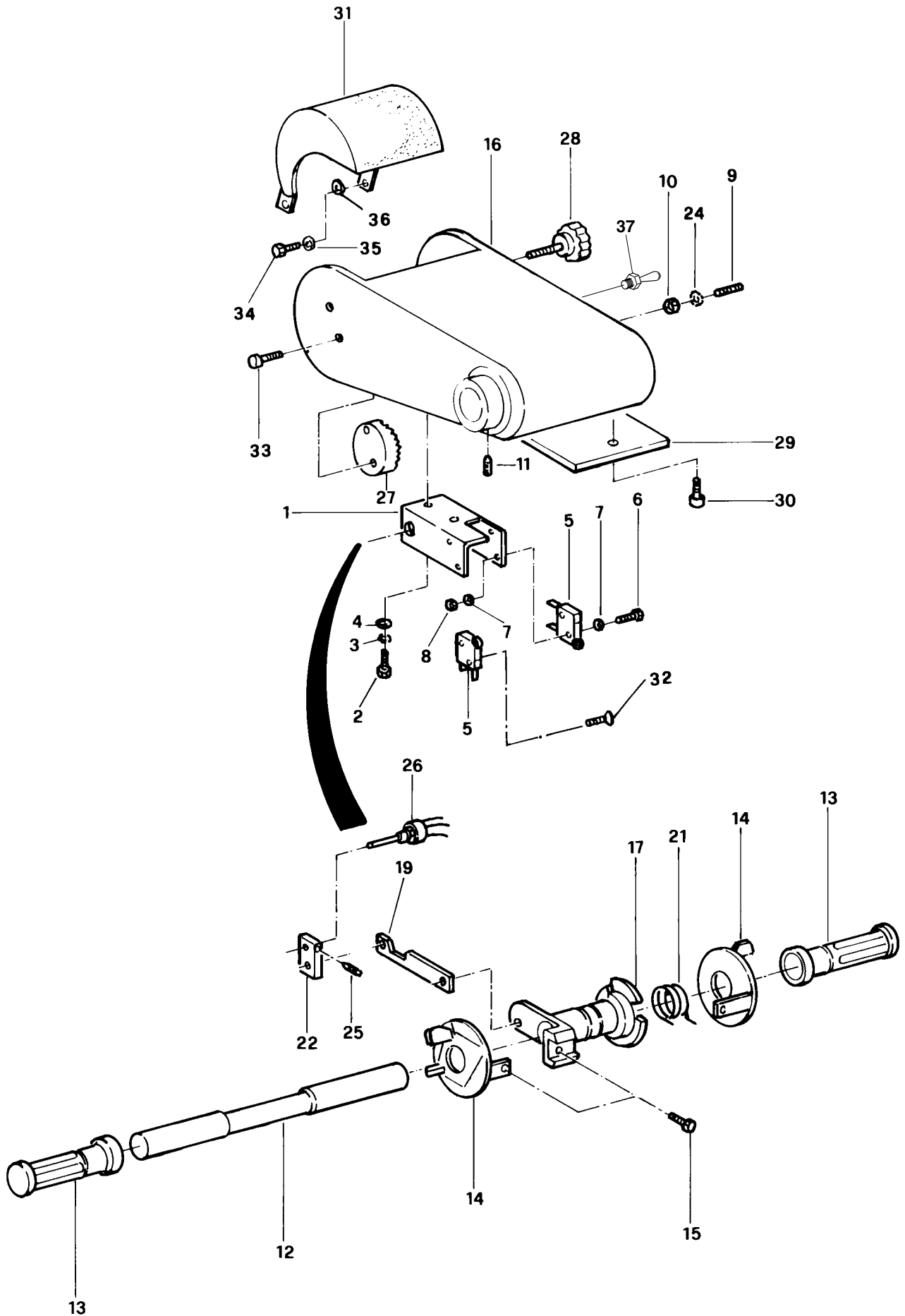
POSIZ. ITEM POS. EINSAT.	CODICE CODE CODE CODE	DESCRIZIONE DESCRIPTION DESCRIPTION BEZEICHNUNG	W375 B		
			B	M	O
1	L00.05001	SERBATOIO / TANK / RESERVOIR / TANK BLUE	1		
1	L00.05100	SERBATOIO / TANK / RESERVOIR / TANK RED	1		
1	L00.05200	SERBATOIO / TANK / RESERVOIR / TANK GREY	1		
2	H02.26700	CANALINA / PROTECTION / PROTECTION / LEITUNGSRÖHR	1		
3	F03.57000	PARATIA / DIVIDING PLATE / CLOISON / SCHOTT	1		
5	V09.02210	RONDELLA / WASHER / RONDELLE / BEILAGSCHEIBE	2		
6	V02.00410	VITE / SCREW / VIS / SCHRAUBE	1		
7	E08.13000	CAVO / CABLE / CABLE / KABEL	1		
8	V02.08410	VITE / SCREW / VIS / SCHRAUBE	1		
9	V13.01910	DADO / NUT / ECROU / MUT	1		
10	F03.69790	PARATIA / BUFFLE / CLOISON / SCHOTT	1		
12	H01.25930	COPERCHIO / LID COVER / COUVERCLE / DECKEL	1		
13	V13.07120	GHIERA / NUT / ECROU / RING	1		
14	R4DA0L021	KIT FILTRO / KIT FILTER / KIT FILTRE / KIT FILTER	1		
15	H03.06400	PANNELLO / PANEL / PANNEAU / PANEL	1		
16	L02.14400	CERNIERA / HINGE / CHARNIERE / SCHARNIER	2		
17	V02.10510	VITE / SCREW / VIS / SCHRAUBE	4		
18	V09.05310	RONDELLA / WASHER / RONDELLE / BEILAGSCHEIBE	4		
19	V13.01810	DADO / NUT / ECROU / MUT	4		
20	V02.02310	VITE / SCREW / VIS / SCHRAUBE	4		
21	F03.51600	PIASTRA / PLATE / PLAQUE / PLATTE	2		
22	L02.13900	CHIUSURA / PROTECTION SIDE PLATE / FERMATURE / VERSCHLUSS	1		
23	V02.10510	VITE / SCREW / VIS / SCHRAUBE	3		
24	V09.05310	RONDELLA / WASHER / RONDELLE / BEILAGSCHEIBE	3		
25	V13.01810	DADO / NUT / ECROU / MUT	3		
26	H01.22901	COPERCHIO / LID COVER / COUVERCLE / DECKEL BLUE	1		
26	H01.22901	COPERCHIO / LID COVER / COUVERCLE / DECKEL BLUE	1		
26	H01.23000	COPERCHIO / LID COVER / COUVERCLE / DECKEL GREY	1		
27	H04.10300	GUARNIZIONE / GASKET / JOINT / DICHTUNG	1		
28	L02.14000	MANIGLIA / HANDLE / POIGNEE / HANDGRIFF	1		
29	V03.04410	VITE / SCREW / VIS / SCHRAUBE	2		
30	V13.01810	DADO / NUT / ECROU / MUT	2		
31	V02.10510	VITE / SCREW / VIS / SCHRAUBE	2		
32	L02.14400	CERNIERA / HINGE / CHARNIERE / SCHARNIER	2		
33	V02.10510	VITE / SCREW / VIS / SCHRAUBE	4		
34	V13.01810	DADO / NUT / ECROU / MUT	4		
35	V09.05310	RONDELLA / WASHER / RONDELLE / BEILAGSCHEIBE	4		
36	V09.05310	RONDELLA / WASHER / RONDELLE / BEILAGSCHEIBE	2		
37	V09.02210	RONDELLA / WASHER / RONDELLE / BEILAGSCHEIBE	5		
38	H02.29700	RIPARO / GUARD / PROTECTION / SCHUTZWEHR	1		
39	H02.34460	MEMBRANA / MEMBRANE / MEMBRANE / MEMBRAN	1		
40	F01.21500	TELAIO / FRAME / CHASSIS / RAHMEN	1		
41	V02.00610	VITE / SCREW / VIS / SCHRAUBE	18		
42	V09.00410	RONDELLA / WASHER / RONDELLE / BEILAGSCHEIBE	36		
43	V13.09630	DADO / NUT / ECROU / MUT	18		
44	F03.69070	SPESSORE / WASHER / EPAISSEUR / DISTANZSTÜCK	2		

# TAV. C / DRAW. C / VUE C / ZEICHN. C

POSIZ. ITEM POS. EINSAT.	CODICE CODE CODE CODE	DESCRIZIONE DESCRIPTION DESCRIPTION BEZEICHNUNG	W375 B		
			B	M	O
45	F03.69430	PIASTRA / PLATE / PLAQUE / PLATTE	1		
46	H04.10530	GUARNIZIONE / GASKET / JOINT / DICHTUNG	2		
47	F03.69800	COPRIFILTRO / FILTER COVER / ENVELOPPE / DECKUNG	1		
48	H08.00100	CESTINO DI FONDO / FILTER / FILTRE / FILTER	2		
51	H08.00170	COPRIDADO / COVER FOR NUT / COUVRE-ECROU / MUTTERKASTEN	18		

# TAV. D / DRAW. D / VUE D / ZEICHN. D

W375 B

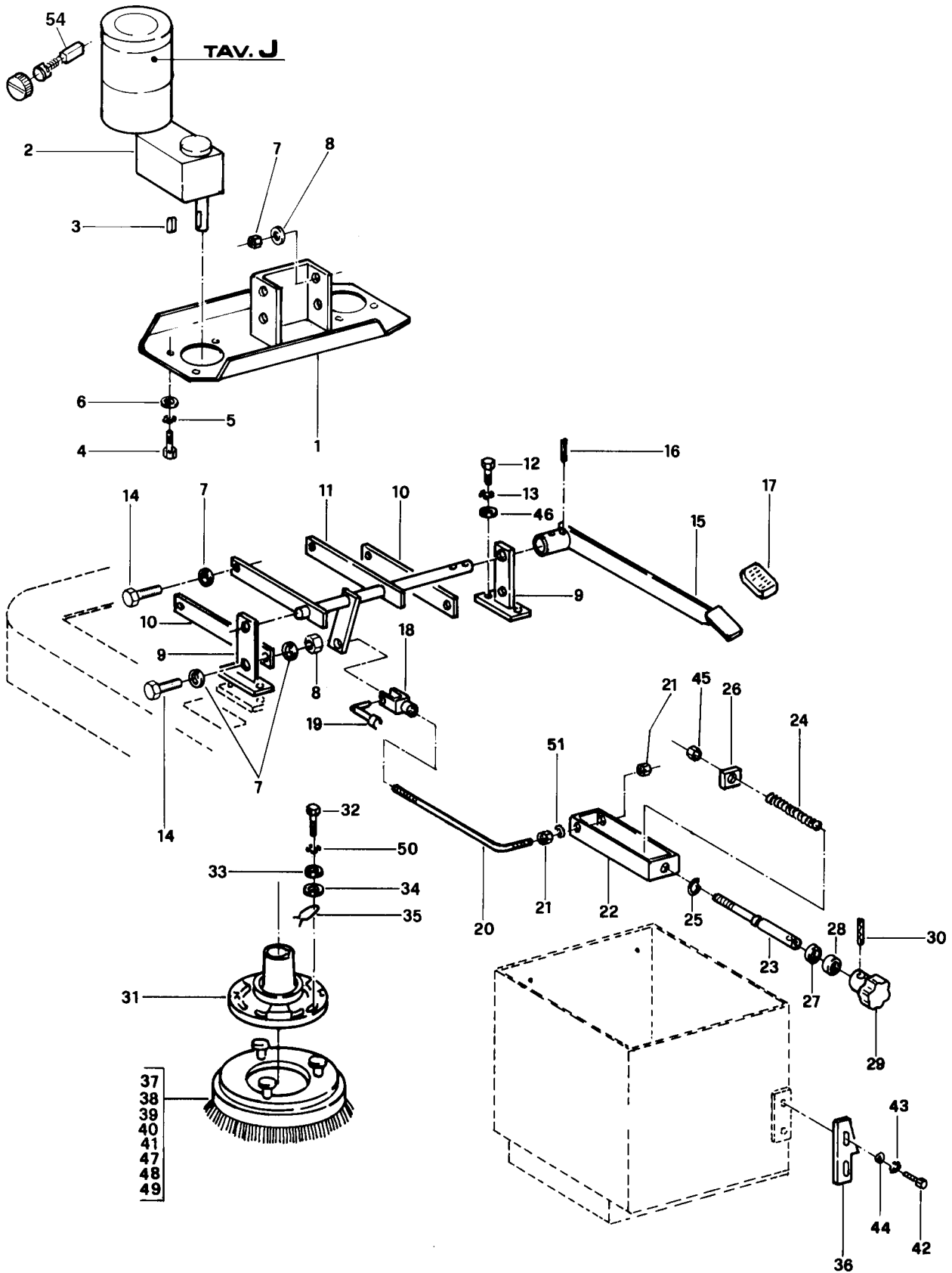


# TAV. D / DRAW. D / VUE D / ZEICHN. D

POSIZ. ITEM POS. EINSAT.	CODICE CODE CODE CODE	DESCRIZIONE DESCRIPTION DESCRIPTION BEZEICHNUNG	W375 B		
			B	M	O
1	F03.69370	SUPPORTO / SUPPORT / SUPPORT / HALTER	1		
2	V02.00210	VITE / SCREW / VIS / SCHRAUBE	2		
3	V19.00410	RONDELLA / WASHER / RONDELLE / BEILAGSCHEIBE	2		
4	V09.02210	RONDELLA / WASHER / RONDELLE / BEILAGSCHEIBE	2		
5	G05.04900	MICROINT. / MICROSWITCH / MICROINTERRUPTEUR / MICROSCHALTER	2		
6	V02.09803	VITE / SCREW / VIS / SCHRAUBE	2		
7	V09.001	RONDELLA / WASHER / RONDELLE / BEILAGSCHEIBE	6		
8	V13.06010	DADO / NUT / ECROU / MUT	4		
9	V08.02502	GRANO / DOWEL / GOUPILLE / STIFT	1		
10	V13.00410	DADO / NUT / ECROU / MUT	1		
11	V08.001	GRANO / DOWEL / GOUPILLE / STIFT	2		
12	E02.62400	MANOPOLA / KNOB / POIGNEE / DREHKNOPF	1		
13	L02.09500	MANOPOLA / KNOB / POIGNEE / DREHKNOPF	2		
14	L02.15600	ACCELERATORE / ACCELERATOR / ACCELERATEUR / GASHEBELKABEL	2		
15	V02.11003	VITE / SCREW / VIS / SCHRAUBE	2		
16	F04.20300	MANUBRIO / HANDLE / GUIDON / LENKER	1		
17	L02.13300	CAMMA / CAM / CAME / KAMM	1		
19	H08.00020	LEVA / LEVER / LEVIER / HEBEL	1		
21	E04.08100	MOLLA / SPRING / RESSORT / FEDER	1		
22	H08.00010	BIELLA / CONNECTING ROD / BIELLE / FLUEGELSTANGE	1		
24	V19.00410	RONDELLA / WASHER / RONDELLE / BEILAGSCHEIBE	1		
25	V05.01910	VITE / SCREW / VIS / SCHRAUBE	1		
26	G13.19290	CABLAGGIO / HARNESS / CABLAGE / KABELVERBINDUNG	1		
27	E02.63600	MARGHERITA / COG WHEEL / ENGRENAGES / ZAHNRAD	1		
28	L02.14500	VOLANTINO / KNOB / MOLETTE / HANDRAD	1		
29	F03.46500	CHIUSURA / PROTECTION SIDE PLATE / FERMETURE / VERSCHLUSS	1		
30	V03.05010	VITE / SCREW / VIS / SCHRAUBE	3		
31	H01.21200	CARTER / CRANKCASE / CARTER / GEHAEUSE	1		
32	V03.06200	VITE / SCREW / VIS / SCHRAUBE	2		
33	V01.005	VITE / SCREW / VIS / SCHRAUBE	2		
34	V02.061	VITE / SCREW / VIS / SCHRAUBE	2		
35	V19.00310	RONDELLA / WASHER / RONDELLE / BEILAGSCHEIBE	2		
36	V09.00310	RONDELLA / WASHER / RONDELLE / BEILAGSCHEIBE	2		
37	G05.10700	INETRRUTTORE / SWITCH / INTERRUPTEUR / SCHALTER	1		

# TAV. E / DRAW. E / VUE E / ZEICHN. E

W375 B



# TAV. E / DRAW. E / VUE E / ZEICHN. E

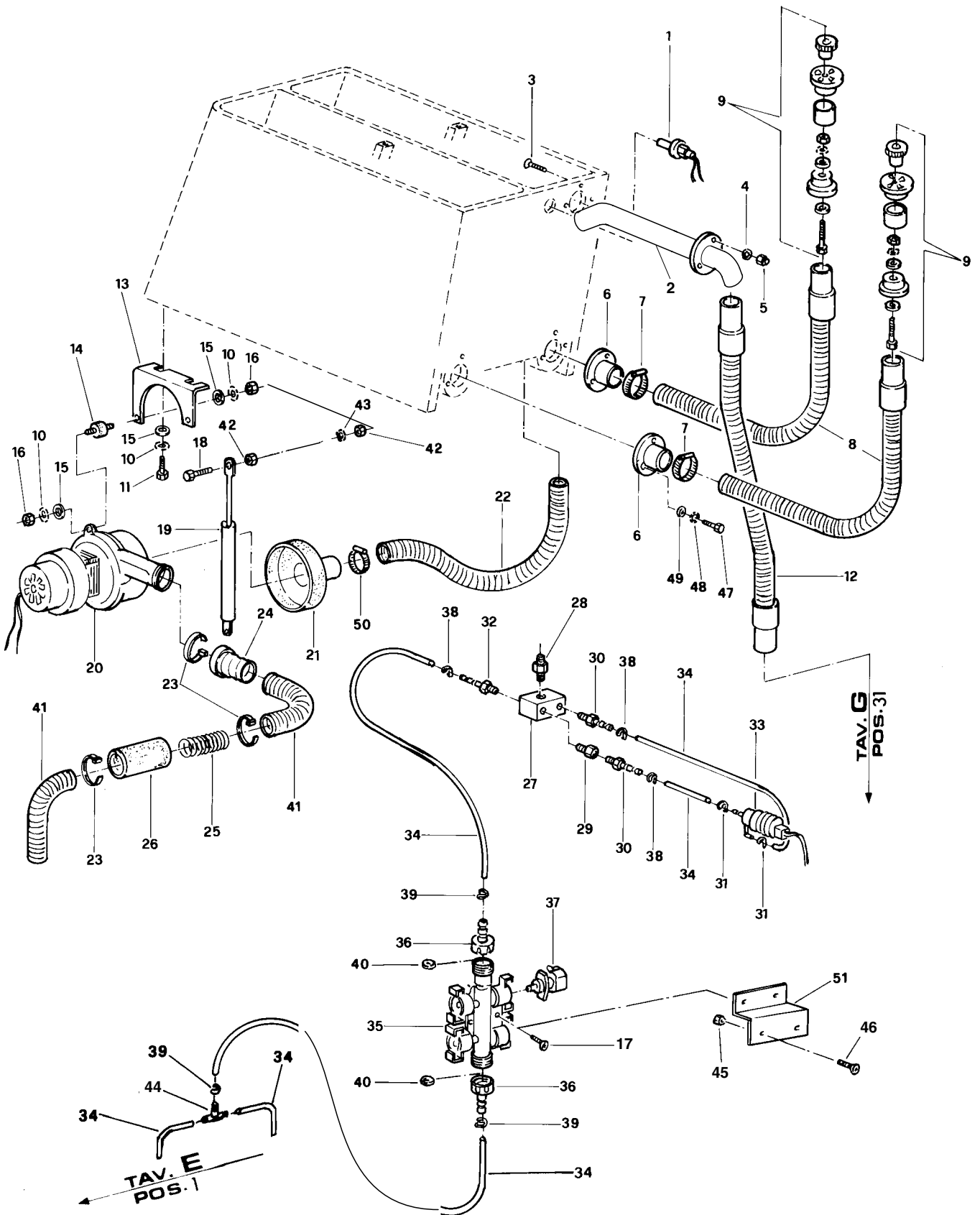
POSIZ. ITEM POS. EINSAT.	CODICE CODE CODE CODE	DESCRIZIONE DESCRIPTION DESCRIPTION BEZEICHNUNG	W375 B		
			B	M	O
1	F04.18500	PIASTRA / PLATE / PLAQUE / PLATTE	1		
2	A05.01300	MOTORID. / REDUCTION GEAR / MOTORED. / VERMINDERUNGSGETRIEBE	2		
3	V17.10100	LINGUETTA / TAB / CLAVETTE / KEIL	2		
4	V02.00410	VITE / SCREW / VIS / SCHRAUBE	8		
5	V19.00410	RONDELLA / WASHER / RONDELLE / BEILAGSCHEIBE	8		
6	V09.02210	RONDELLA / WASHER / RONDELLE / BEILAGSCHEIBE	8		
7	V09.02010	RONDELLA / WASHER / RONDELLE / BEILAGSCHEIBE	6		
8	V13.02010	DADO / NUT / ECROU / MUT	6		
9	F04.20940	MONTANTE / SUPPORT / SUPPORT / PFOSTEN	3		
10	F04.20930	LEVA / LEVER / LEVIER / HEBEL	2		
11	F04.20700	LEVA / LEVER / LEVIER / HEBEL	1		
12	V02.01310	VITE / SCREW / VIS / SCHRAUBE	6		
13	V19.00510	RONDELLA / WASHER / RONDELLE / BEILAGSCHEIBE	6		
14	V02.01410	VITE / SCREW / VIS / SCHRAUBE	6		
15	F04.20920	PEDALE / PEDAL / PEDALE / PEDAL	1		
16	V02.01410	VITE / SCREW / VIS / SCHRAUBE	2		
17	H02.063	COPRIPEDALE / PEDAL COVER / HOUSSE PEDALE / PEDALDECKUNG	1		
18	V17.022	FORCELLA / FORK / FOURCHETTE / GABELSTUECK	1		
19	V17.023	CLIP / CIRCLIP / CLIP / KLIPP	1		
20	E02.60000	TIRANTE / TENSION ROD / TIRANT / ZUGSTANGE	1		
21	V13.00510	DADO / NUT / ECROU / MUT	2		
22	F03.45000	SUPPORTO / SUPPORT / SUPPORT / HALTER	1		
23	E02.67400	ALBERO / SHAFT / ARBRE / WELLE	1		
24	E04.09430	MOLLA / SPRING / RESSORT / FEDER	1		
25	V14.006	SEEGER / RETAINING RING / CIRCLIPS / SICHERUNGSRINGT	1		
26	F04.12500	DADO / NUT / ECROU / MUT	1		
27	V09.007	RONDELLA / WASHER / RONDELLE / BEILAGSCHEIBE	1		
28	V09.00750	RONDELLA / WASHER / RONDELLE / BEILAGSCHEIBE	1		
29	L02.15000	VOLANTINO / KNOB / MOLETTE / HANDRAD	1		
30	V17.11200	SPINA / PIN / GOUPILLE / STIFT	2		
31	RDDBORE27	MOZZO SINISTRO / HUB LEFT / MOYEU GAUCHE / NABE LINKSGÄNGIG	1		
36	F03.50000	PIASTRA / PLATE / PLAQUE / PLATTE	1		
37	B04.03500	SPAZZOLA / BRUSH / BROSSSE / BUERSTE STANDARD D 0.1			2
38	B04.03600	SPAZZOLA / BRUSH / BROSSSE / BUERSTE SOFT D 0.7			2
39	B04.03800	SPAZZOLA / BRUSH / BROSSSE / BUERSTE NATURAL FIBER			2
40	B04.03700	SPAZZOLA / BRUSH / BROSSSE / BUERSTE TYNEX			2
41	B04.03900	DISCO TRASCINAT. / PAD HOLDER / DISQUE D'ENTRAIN / TREIBTELLER			2
42	V02.00210	VITE / SCREW / VIS / SCHRAUBE	2		
43	V19.00410	RONDELLA / WASHER / RONDELLE / BEILAGSCHEIBE	2		
44	V09.02210	RONDELLA / WASHER / RONDELLE / BEILAGSCHEIBE	2		
45	V13.00510	DADO / NUT / ECROU / MUT	1		
46	V09.00510	RONDELLA / WASHER / RONDELLE / BEILAGSCHEIBE	6		
47	B04.04900	DISCO / PAD / DISQUE / DISK NERO			2
48	B04.05400	DISCO / PAD / DISQUE / DISK ROSSO			2
49	B04.05500	DISCO / PAD / DISQUE / DISK VERDE			2
51	V19.00510	RONDELLA / WASHER / RONDELLE / BEILAGSCHEIBE	1		

# TAV. E / DRAW. E / VUE E / ZEICHN. E

POSIZ. ITEM POS. EINSAT.	CODICE CODE CODE CODE	DESCRIZIONE DESCRIPTION DESCRIPTION BEZEICHNUNG	W375 B		
			B	M	O
52	E04.09440	MOLLA / SPRING / RESSORT / FEDER	1		
53	RDDBORE26	MOZZO DESTRO / HUB RIGHT / MOYEU DROIT / NABE RECHTSGÄNGIG	1		
54	A11.00800	CARBONCINO / CARBON BRUSH / BROSSSE MOTEUR / KOLLEKTORBÜERSTE	2		

# TAV. F / DRAW. F / VUE F / ZEICHN. F

W375 B





# TAV. F / DRAW. F / VUE F / ZEICHN. F

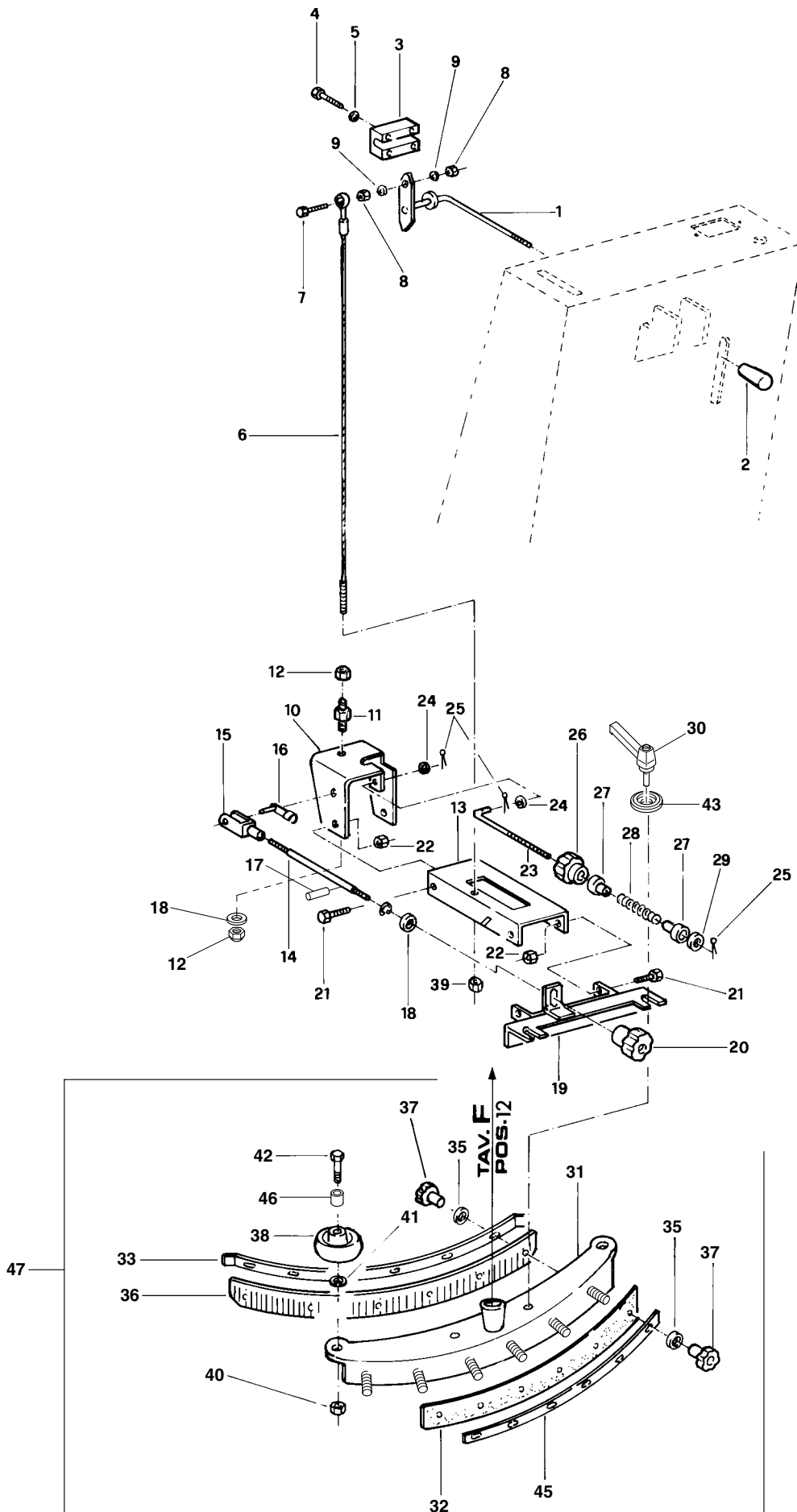
POSIZ. ITEM POS. EINSAT.	CODICE CODE CODE CODE	DESCRIZIONE DESCRIPTION DESCRIPTION BEZEICHNUNG	W375 B		
			B	M	O
1	G05.09200	GALLEGGIANTE / FLOAT / FLOTTEUR / SCHWIMMER	1		
2	H05.08600	TUBO ASPIRAZIONE / VACUUM HOSE / TUYAU / SAUGSCHLAUCH	1		
3	V02.00510	VITE / SCREW / VIS / SCHRAUBE	3		
4	V09.02210	RONDELLA / WASHER / RONDELLE / BEILAGSCHEIBE	6		
5	V13.01910	DADO / NUT / ECROU / MUT	3		
6	F04.13900	FLANGIA / FLANGE / FLASQUE / FLANSCH	2		
7	V20.02100	FASCETTA / CLAMP / COLLIER / PASSRING	2		
8	H06.03730	TUBO / PIPE / TUYAU / SCHLAUCH	2		
9	R4DA0L020	TAPPO / CAP / BOUCHON / PFROPFEN	2		
10	V19.00410	RONDELLA / WASHER / RONDELLE / BEILAGSCHEIBE	6		
11	V02.00310	VITE / SCREW / VIS / SCHRAUBE	2		
12	H06.03720	TUBO ASPIR. / VACUUM HOSE / TUYAU / SAUGSCHLAUCH	1		
13	F03.68000	SUPPORTO / SUPPORT / SUPPORT / HALTER	1		
14	L02.15700	ANTIVIBR. / VIBRATION DAMPING / SILENT BLOC / SCHWINGUNGSDAMP.	2		
15	V09.00410	RONDELLA / WASHER / RONDELLE / BEILAGSCHEIBE	6		
16	V13.00410	DADO / NUT / ECROU / MUT	4		
17	V01.03210	VITE / SCREW / VIS / SCHRAUBE	2		
18	V02.00410	VITE / SCREW / VIS / SCHRAUBE	1		
19	E04.06500	MOLLA / SPRING / RESSORT / FEDER	1		
20	A00.07000	ASPIRATORE / VACUUM MOTOR / ASPIRATEUR / SAUGER	1		
21	H01.19900	FLANGIA / FLANGE / FLASQUE / FLANSCH	1		
22	H06.03000	TUBO / PIPE / TUYAU / SCHLAUCH	1		
23	V20.04500	FASCETTA / CLAMP / COLLIER / PASSRING	3		
24	E08.14600	GUAINA / SHEATH / GAINE / MANTEL	1		
25	E04.08200	MOLLA / SPRING / RESSORT / FEDER	1		
26	H03.06300	FONOASS. / ACOUSTIC INSULATION / INSONORIS. / SCHALLDAMPFEND	1		
27	E02.63400	BLOCCETTO / BLOCK / BLOC / ANPASSKOERPER	1		
28	E02.61800	PASSAPARATIA / PIPE FITTING / CLOISON / VERBINDUNG	1		
29	M03.08000	RIDUZIONE / REDUCTION / REDUCTION / REDUKTION	1		
30	M03.039	PORTAGOMMA / PIPE HOLDER / RACCORD / GUMMIHALTER	2		
31	V20.04600	FASCETTA / CLAMP / COLLIER / PASSRING	2		
32	M03.002	PORTAGOMMA / PIPE HOLDER / RACCORD / GUMMIHALTER	1		
33	G02.11200	POMPA / PUMP / POMPE / PUMPE	1		
34	RDKA0H050	TUBI POMPA ELETR. / PUMP ELETR. / TUYAU / SCHLAUCHER PUMPE-EL.	1		
35	G02.12900	ELETTROVALVOLA / ELECTROVALVE / ELECTROVALVE / ELEKTROVENTIL	1		
36	M03.25400	PORTAGOMMA / PIPE HOLDER / RACCORD / GUMMIHALTER	2		
37	G02.12400	BOBINA / COIL / BOBINE / SPULE	4		
38	V20.04700	FASCETTA / CLAMP / COLLIER / PASSRING	3		
39	V20.04800	FASCETTA / CLAMP / COLLIER / PASSRING	5		
40	H04.10000	GUARNIZIONE / GASKET / JOINT / DICHTUNG	2		
41	H06.03700	TUBO / PIPE / TUYAU / SCHLAUCH	2		
42	V13.00510	DADO / NUT / ECROU / MUT	2		
43	V19.00510	RONDELLA / WASHER / RONDELLE / BEILAGSCHEIBE	1		
44	M03.25510	PORTAGOMMA / PIPE HOLDER / RACCORD / GUMMIHALTE	1		
45	V13.01810	DADO / NUT / ECROU / MUT	2		
46	V03.03710	VITE / SCREW / VIS / SCHRAUBE	2		

# TAV. F / DRAW. F / VUE F / ZEICHN. F

POSIZ. ITEM POS. EINSAT.	CODICE CODE CODE CODE	DESCRIZIONE DESCRIPTION DESCRIPTION BEZEICHNUNG	W375 B		
			B	M	O
47	V02.00310	VITE / SCREW / VIS / SCHRAUBE	6		
48	V19.00410	RONDELLA / WASHER / RONDELLE / BEILAGSCHEIBE	6		
49	V09.00410	RONDELLA / WASHER / RONDELLE / BEILAGSCHEIBE	6		
50	V20.02100	FASCETTA / CLAMP / COLLIER / PASSRING	2		
51	F03.64100	SUPPORTO / SUPPORT / SUPPORT / HALTER	1		

# TAV. G / DRAW. G / VUE G / ZEICHN. G

W375 B

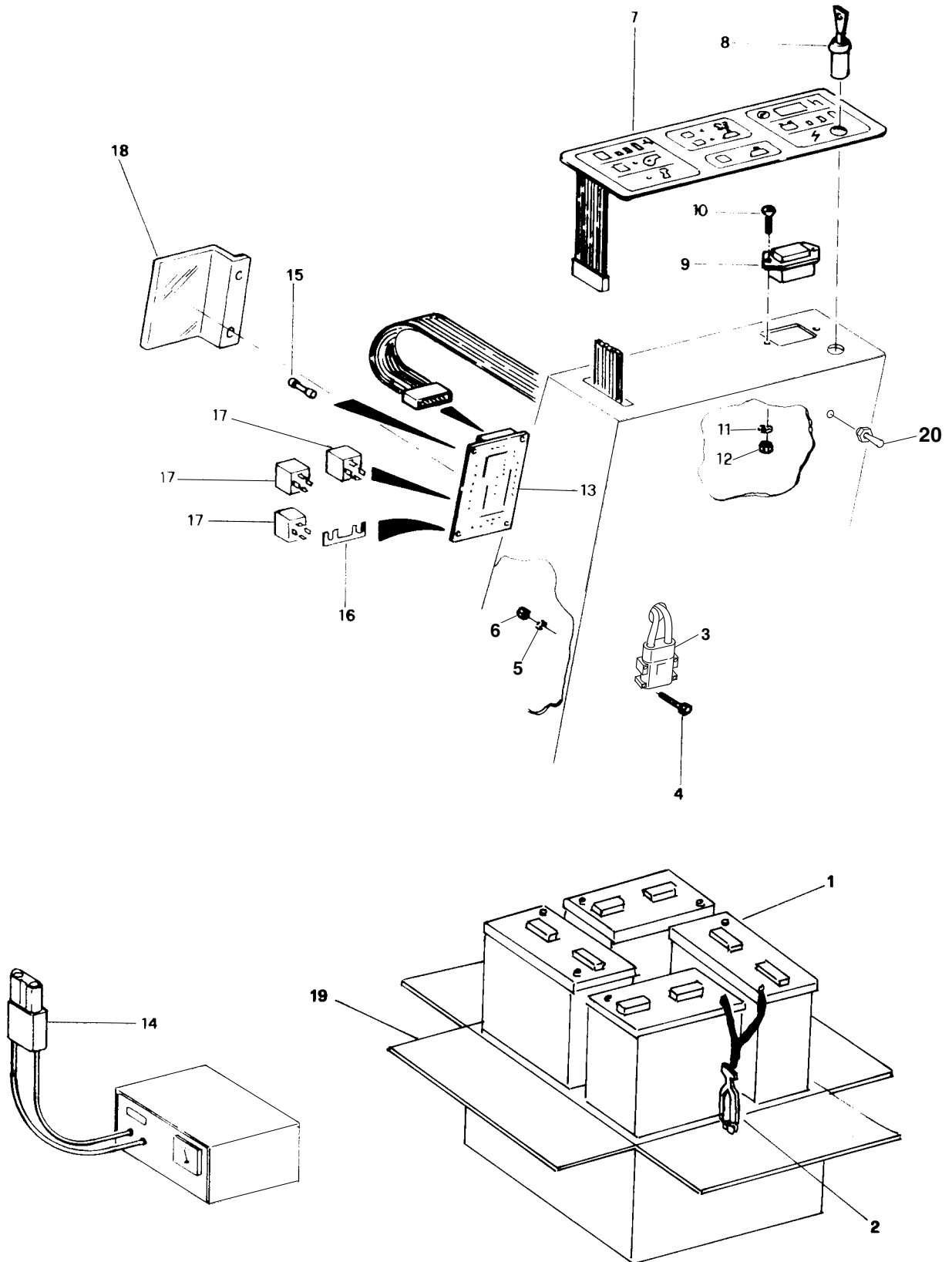


# TAV. G / DRAW. G / VUE G / ZEICHN. G

POSIZ. ITEM POS. EINSAT.	CODICE CODE CODE CODE	DESCRIZIONE DESCRIPTION DESCRIPTION BEZEICHNUNG	W375 B		
			B	M	O
1	F03.66800	LEVA / LEVER / LEVIER / HEBEL	1		
2	L03.02400	POMELLO / KNOB / BOULE / KUGELGRIFF	1		
3	L02.15800	BLOCCHETTO / BLOCK / BLOC / ANPASSKOERPER	1		
4	V04.01300	VITE / SCREW / VIS / SCHRAUBE	4		
5	V09.00310	RONDELLA / WASHER / RONDELLE / BEILAGSCHEIBE	4		
6	E08.14700	CAVO / CABLE / CABLE / KABEL	1		
7	V02.00510	VITE / SCREW / VIS / SCHRAUBE	1		
8	V13.00410	DADO / NUT / ECROU / MUT	2		
9	V19.00410	RONDELLA / WASHER / RONDELLE / BEILAGSCHEIBE	2		
10	F04.20900	SNODO / LINK / JOINT / GELENK	1		
11	E02.67900	PERNO / PIN / AXE / STIFT	1		
12	V13.021	DADO / NUT / ECROU / MUT	2		
13	F03.68100	PIASTRA / PLATE / PLAQUE / PLATTE	1		
14	E02.68400	TIRANTE / TENSION ROD / TIRANT / ZUGSTANGE	1		
15	V17.022	FORCELLA / FORK / FOURCHETTE / GABELSTUECK	1		
16	V17.023	CLIP / CIRCLIP / CLIP / KLIPP	1		
17	V17.11410	SPINA / PIN / GOUPILLE / STIFT	1		
18	V09.00610	RONDELLA / WASHER / RONDELLE / BEILAGSCHEIBE	2		
19	F04.20800	SUPPORTO / SUPPORT / SUPPORT / HALTER	1		
20	L02.13000	VOLANTINO / KNOB / MOLETTE / HANDRAD	1		
21	V02.01310	VITE / SCREW / VIS / SCHRAUBE	4		
22	V13.02010	DADO / NUT / ECROU / MUT	4		
23	E02.65800	TIRANTE / TENSION ROD / TIRANT / ZUGSTANGE	1		
24	E04.08600	MOLLA / SPRING / RESSORT / FEDER	2		
25	V15.01603	COPIGLIA / SPLIT PIN / GOUPILLE / SPLINT	3		
26	L02.13000	VOLANTINO / KNOB / MOLETTE / HANDRAD	1		
27	E05.19100	GUIDA / SLIDE / GUIDE / FUEHRUNGSBAHN	2		
28	E04.08500	MOLLA / SPRING / RESSORT / FEDER	1		
29	V09.02210	RONDELLA / WASHER / RONDELLE / BEILAGSCHEIBE	1		
30	L02.14800	LEVA / LEVER / LEVIER / HEBEL	2		
31	F04.21120	CORPO TERGITORE / SQUEEGEE / CORP DE SOUCEUR / SAUGFUSS	1		
32	H02.34470	GOMMA / RUBBER / CAOUTCHOU / GUMMI	1		
33	F03.69690	PIATTINA / PLATE / PLAQUE / BAND	2		
35	V09.02210	RONDELLA / WASHER / RONDELLE / BEILAGSCHEIBE	24		
36	H02.34480	GOMMA / RUBBER / CAOUTCHOU / GUMMI	1		
37	L02.14700	VOLANTINO / KNOB / MOLETTE / HANDRAD	16		
38	D00.06650	RUOTA / WHEEL / ROUE / RAD	2		
39	V13.01910	DADO / NUT / ECROU / MUT	1		
40	V13.00510	DADO / NUT / ECROU / MUT	2		
41	V09.00510	RONDELLA / WASHER / RONDELLE / BEILAGSCHEIBE	4		
42	V02.03110	VITE / SCREW / VIS / SCHRAUBE	2		
43	E05.19120	DISTANZIALE / WASHER / RONDELLE / BEILAGSCHEIBE	2		
45	F03.69680	PIATTINA / PLATE / PLAQUE / BAND	1		
46	E05.19200	DISTANZIALE / WASHER / RONDELLE / BEILAGSCHEIBE	2		
47	RDKA1RE44	KIT CORPO TERGITORE / KIT SQUEEGEE / KIT SOUCEUR / SAUGFUSS KIT	1		

# TAV. H / DRAW. H / VUE H / ZEICHN. H

W375 B



# TAV. H / DRAW. H / VUE H / ZEICHN. H

POSIZ. ITEM POS. EINSAT.	CODICE CODE CODE CODE	DESCRIZIONE DESCRIPTION DESCRIPTION BEZEICHNUNG	W375 B		
			B	M	O
1	G00.003	BATTERIA / BATTERY / BATTERIE / BATTERIE			4
2	G03.01000	SPINA / PIN / GOUPILLE / STIFT	1		
3	G03.01200	PRESA / PLUG / PRISE / STECKER	1		
4	V02.07010	VITE / SCREW / VIS / SCHRAUBE	2		
5	V09.00210	RONDELLA / WASHER / RONDELLE / BEILAGSCHEIBE	2		
6	V13.00210	DADO / NUT / ECROU / MUTTER	2		
7	G02.10900	PLANCIA / PANEL / PLANCHE / PANEEL	1		
8	G05.11000	CHIAVE / KEY / CLE / SCHLUESSEL	1		
9	G04.01900	CONTAORE / HOUR-METER / COMPTEUR HOR. / STUNDENZAEHLER	1		
10	V03.05710	VITE / SCREW / VIS / SCHRAUBE	2		
11	V19.02010	RONDELLA / WASHER / RONDELLE / BEILAGSCHEIBE	2		
12	V13.06200	DADO / NUT / ECROU / MUTTER	2		
13	G02.12800	SCHEDA / CARD / PLATINE / KARTE	1		
14	G03.01200	PRESA / PLUG / PRISE / STECKER	1		
15	G11.07000	FUSIBILE / FUSE / FUSIBLE / SICHERUNG 5A	2		
16	G11.06400	FUSIBILE / FUSE / FUSIBLE / SICHERUNG 60A	1		
17	G02.12100	RELAIS / RELAY / RELAIS / RELAIS	3		
18	H01.19500	CARTER / CRANKCASE / CARTER / GEHAEUSE	1		
19	H02.29500	CONTENITORE / CONTAINER / BAC / BEHAELTER	1		
20	G05.10700	INTERRUTTORE / SWITCH / INTERRUPTEUR / SCHALTER	1		

 **Electrolux**  
**EUROCLEAN**

**ELECTROLUX EUROCLEAN ITALIA SPA**  
Località Novella Terza 20070 Guardamiglio-Italy  
Telephon nr. +39 377 451124 Fax nr. +39 377 51443