

SW 750

Model:
SW 750



Stückliste Deutsch

28-03-2015

Inhalt

SW 750

Ansicht allgemein	3
Chassis-System	5
SEITENBESEN BAUGRUPPE	7
Schmutzaufnahmebehälter System	9
KRAFTÜBERTRAGUNG	11
Left and right hatch assembly	13
Belt tensioner assemblies	15
Staubeindämmsystem	17
VAKUUMSYSTEM	19
BEDIENFELD BAUGRUPPE	21
VERDRAHTUNGSPLAN	23
EMPFOHLENE ERSATZTEILE	25

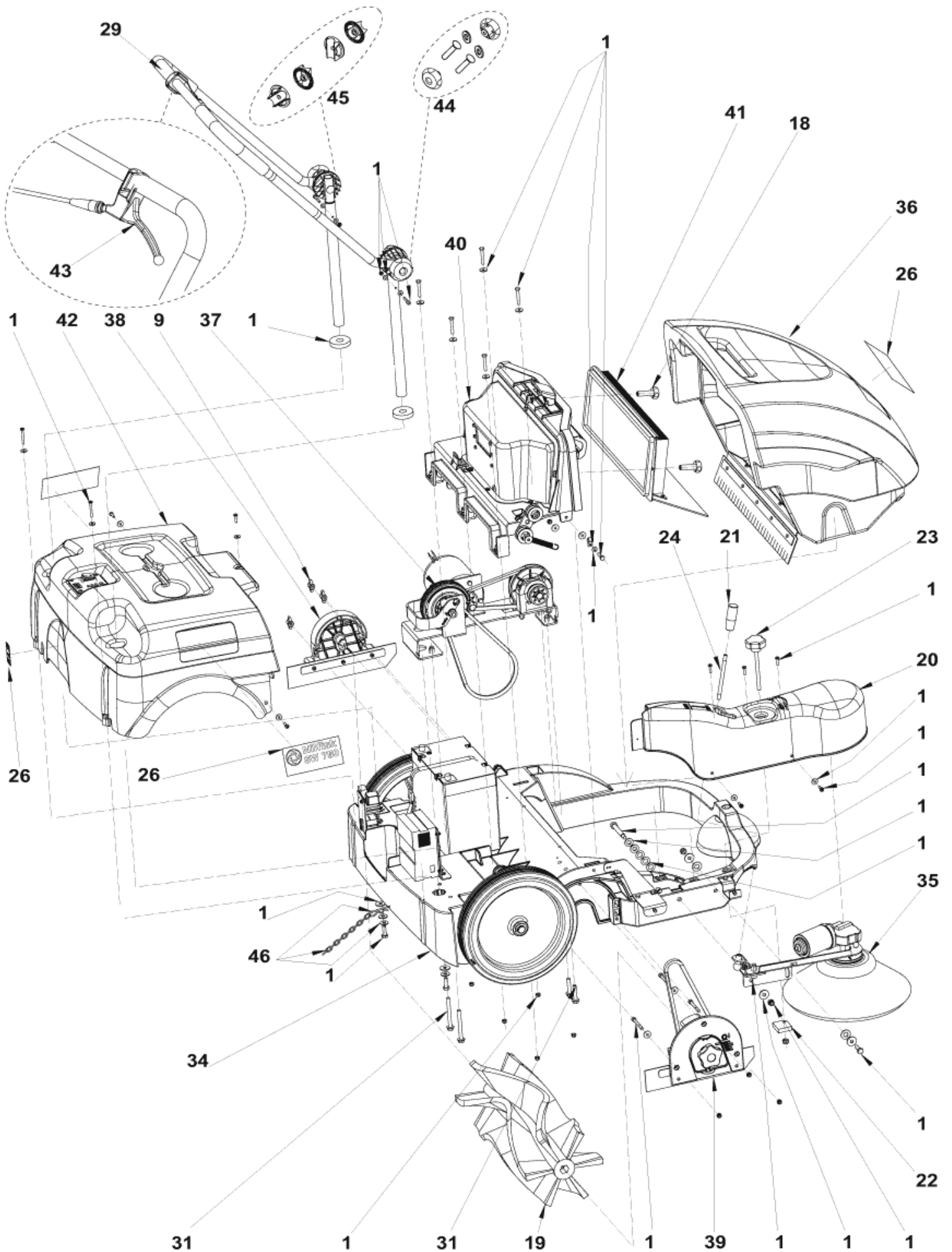
Ansicht allgemein

SW 750

28-03-2015

ET-Liste-Nr. F233103

3



Ansicht allgemein

SW 750

28-03-2015

ET-Liste-Nr. FZ33103

4

Pos	Artikelnr.	Me	Beschreibung	
0	1463171000	1	CARPET KIT	ACCESSORY
0	1463885000	1	CARDBOARD BOX 1060X900X690MM	
1	1463858000	1	Befestigungs kit	
9	145 0461 000	3	NUT WING M6	
18	146 2991 000	2	Handbedienungsrad D.30 M6	
19	146 3016 000	1	BROOM MAIN 180X500	
19	1463174000	1	Kehrwalze 200X500 PPL0,7PPL 0,3	
20	146 3033 000	1	Kurbelgehäuse Seitenbesen	
21	146 3037 000	1	HANDLE LEVER	
22	146 3038 000	1	Justierer	
23	146 3039 000	1	DREHKNOPF M8X110	
24	146 3040 000	1	LEVER SIDE BROOM	
26	1463979000	1	Aufkleberkit	
29	146 3066 000	1	HANDLE BAR	
31	1463868000	1	HARDWARE TRANSMISSION SYST KIT	
34		1	USE LINK	CHASSIS SYSTEM
35		1	USE LINK	SIDE BROOM ASSEMBLY
36		1	USE LINK	HOPPER SYSTEM
37		1	USE LINK	TRANSMISSION SYSTEM
38		1	USE LINK	LEFT HATCH ASSEMBLY
39		1	USE LINK	RIGHT HATCH ASSEMBLY
40		1	USE LINK	DUST CONTROL SYSTEM
41		1	USE LINK	FILTER ASSEMBLY
42		1	USE LINK	CONTROL PANEL ASSEMBLY
43	146 3068 000	1	Gaskabel	
44	1463859000	1	HANDLE FIXING KIT	
45	909 5099 000	1	Instalationskit	
46	1463260000	1	CHAIN GROUND KIT	

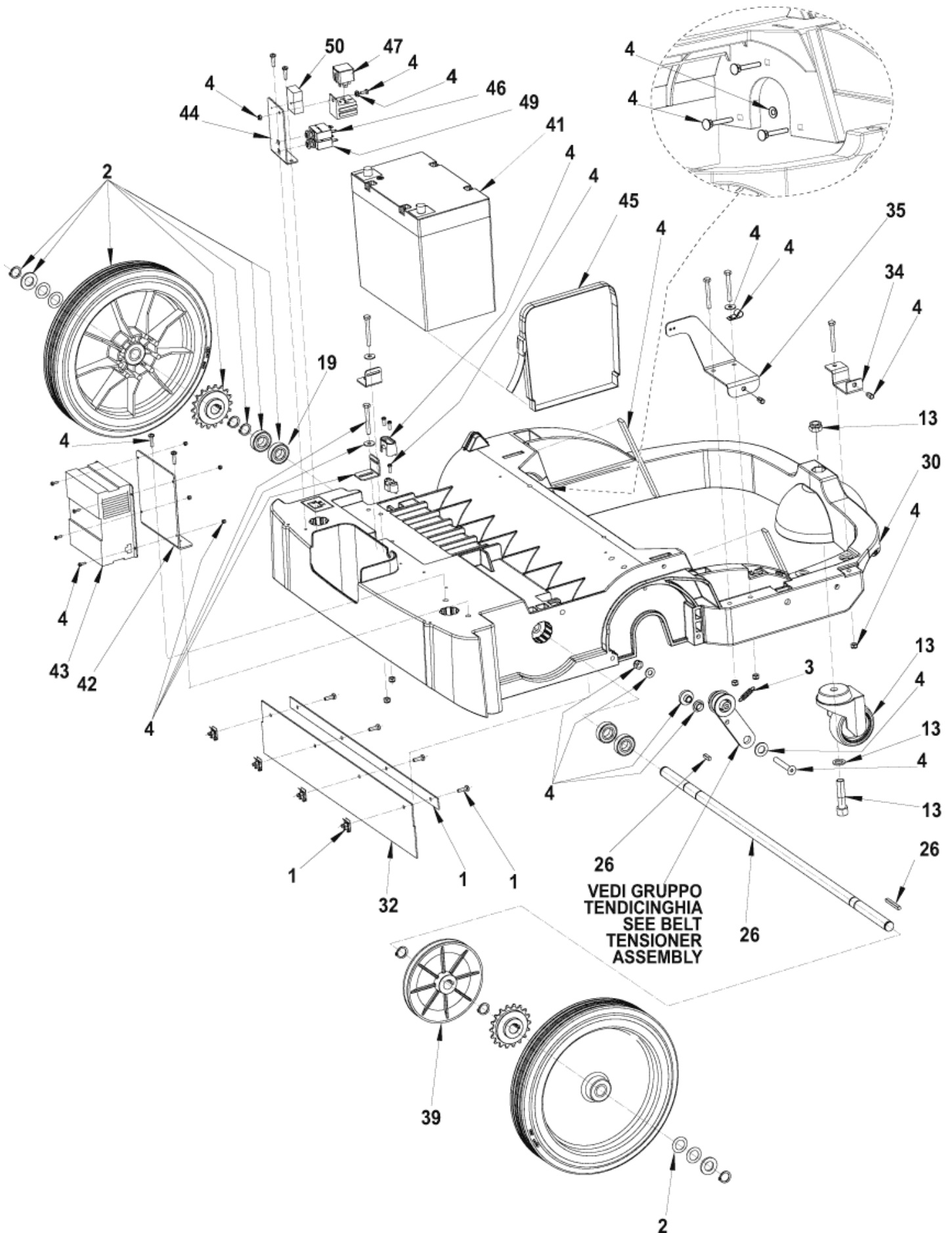
Chassis-System

SW 750

28-03-2015

ET-Liste-Nr. F233107

5



Chassis-System

SW 750

28-03-2015

ET-Liste-Nr. FZ33107

6

Pos	Artikelnr.	Me	Beschreibung	
0	145 9788 000	1	Sicherung 7,5A	
0	146 3052 000	1	Kabelbaum	
0	1463167000	1	SKIRTS NO MARKING KIT	ACCESSORY
0	1463201000	1	BATTERY CLAMPS POS.-NEG.KIT	ACCESSORY
0	909 5676 000	1	Kabel Ex. Plug	
0	9096914000	1	Knickschutz	
0	9100000790	1	CABLE EXTENSION EU PLUG L.1000 PKD	
1	146 3124 000	1	PLATES AND SKIRTS FIXING KIT	
2	1463860000	2	Radkit schwarz	
3	145 8925 000	1	FEDER	
4	1463861000	1	Befestigungskit	
0A	1463255000	1	Seitenbesenschürzen Kit	ACCESSORY FROM SERIAL NO.072014268
13	1463862000	1	Lauf rollenkit	
19	145 8415 000	4	Kugellager 6003 2RS	
26	1463863000	1	SHAFT WHEELS KIT	
30	146 2978 000	1	Gehäuse	
32	1463166000	1	SKIRTS KIT	
34	146 2983 000	1	BRACKET CARTER FIXING	
35	146 2984 000	1	BRACKET CARTER FIXING	
39	146 2998 000	1	PULLEY D.140	
41	1464483000	1	BATTERY 12V 49AH AGM MONOBLOC	ACCESSORY - TSB IT 2010-058
41	1464853000	1	BATTERY DISCOVER 12V 84Ah	ACCESSORY - TSB IT 2010-058
42	146 3050 000	1	BRACKET BAT.CHARGER FIX	
43	146 3051 000	1	BATTERIE 12V 6A	
44	146 3053 000	1	SUPPORT ELECTRONIC COMP.	
45	146 3054 000	1	BELT BATTERY FIXING	
46	146 3090 000	1	HAUPTSCHALTER 5A	
47	146 3113 000	1	RELAIS 12V 70 A TYCO	
49	909 5706 000	1	Sicherung 30A	
50	909 6341 000	1	HALTER	

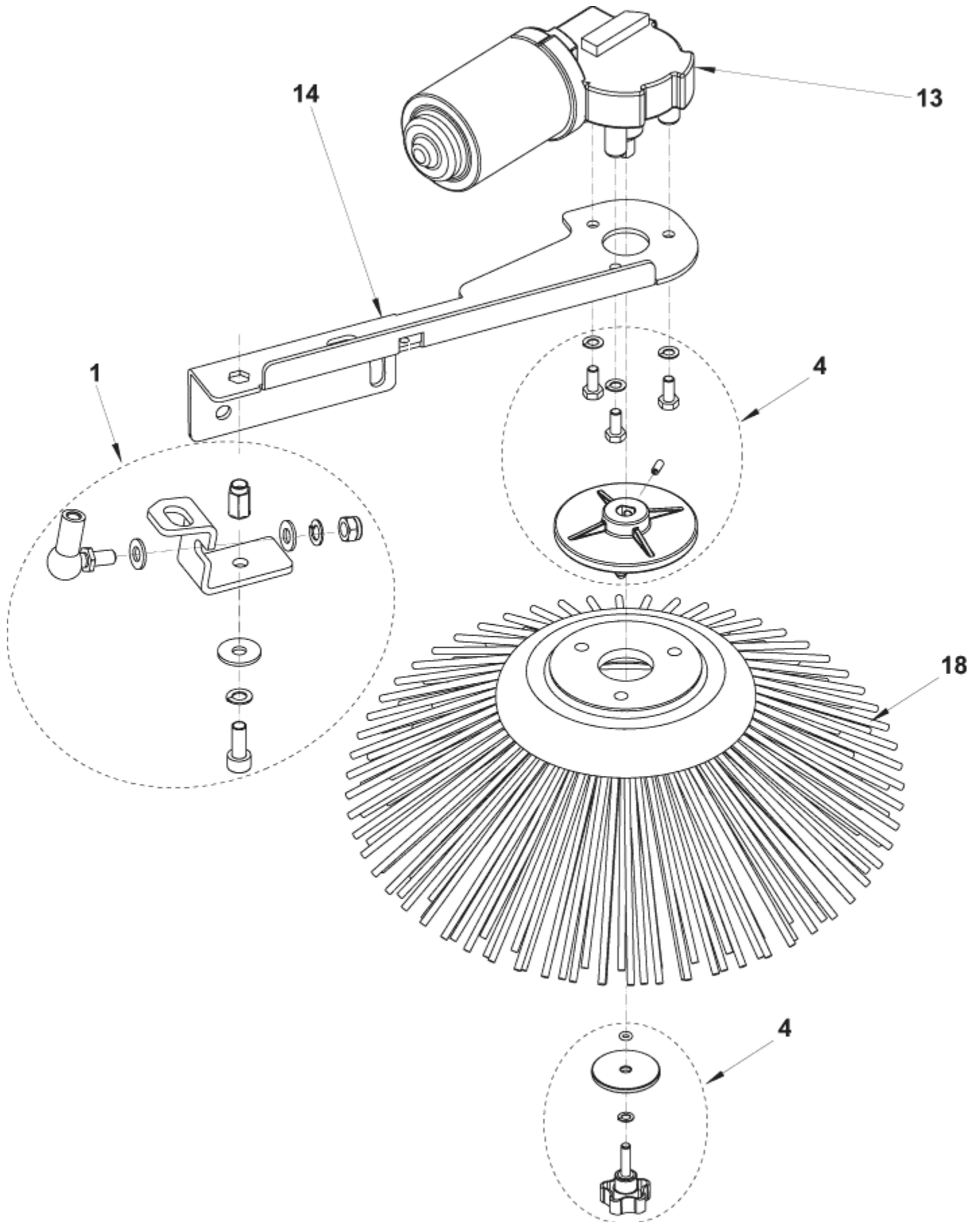
SEITENBESEN BAUGRUPPE

SW 750

28-03-2015

ET-Liste-Nr. F233111

7



SEITENBESEN BAUGRUPPE

SW 750

28-03-2015

ET-Liste-Nr. FZ33111

8

Pos	Artikelnr.	Me	Beschreibung
1	1463864000	1	HARDWARE SIDE BROOM KIT
4	1463865000	1	Schraube SB SW 750
13	1465999000	1	REDUCTION GEARMOTOR 40W 12V PKD
14	146 3029 000	1	SUPPORT SIDE BROOM
18	146 3035 000	1	Seitenbesen 109X315 PPL0,5
18	146 3036 000	1	BROOM SIDE 109X315 NYLON ACCESSORY

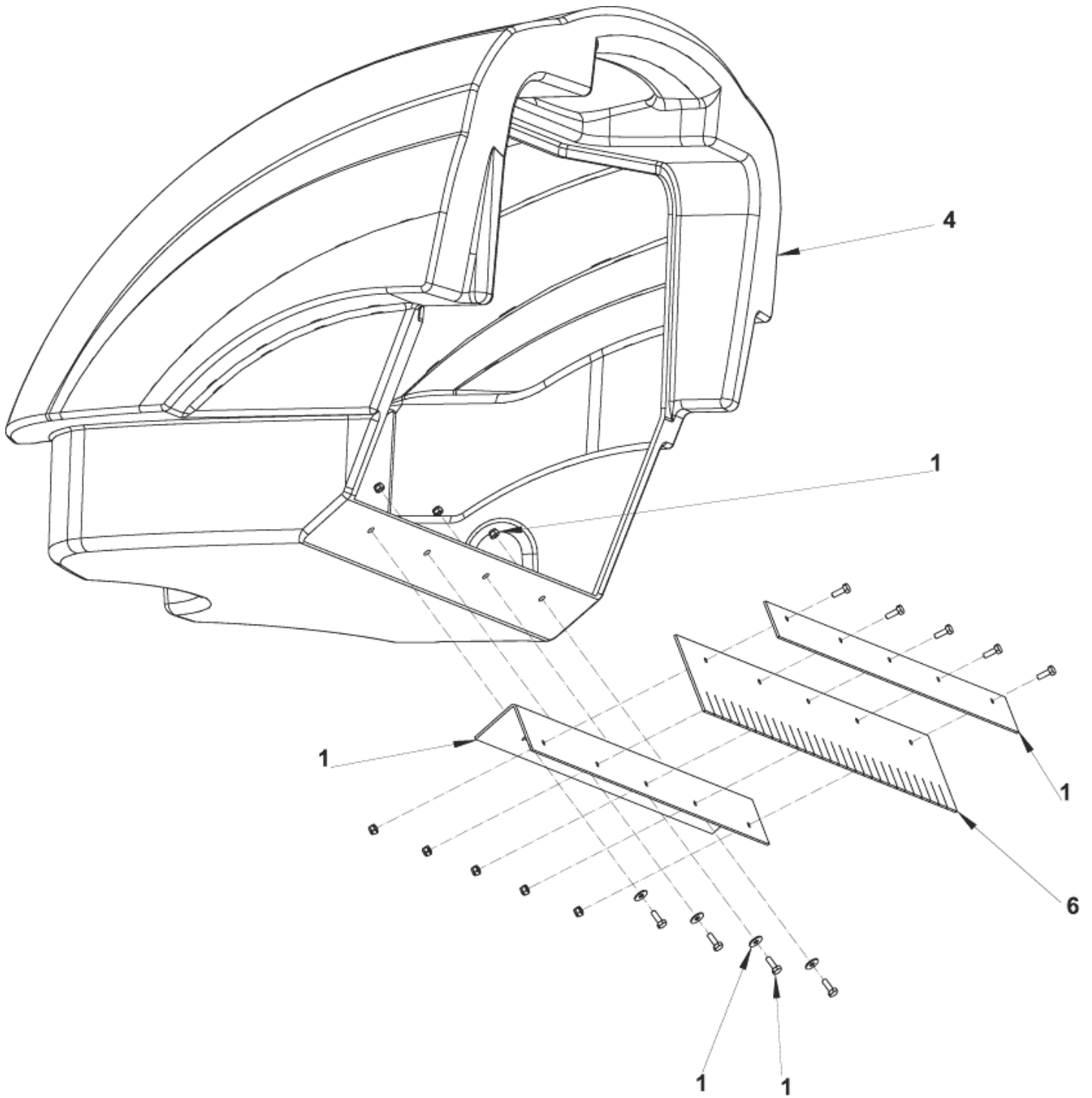
Schmutzaufnahmebehälter System

SW 750

28-03-2015

ET-Liste-Nr. F233113

9



Schmutzaufnahmebehälter System

SW 750

28-03-2015

ET-Liste-Nr. FZ33113

10

Pos	Artikelnr.	Me	Beschreibung
1	146 3124 000	1	PLATES AND SKIRTS FIXING KIT
4	146 3042 000	1	Behälter SW 750
6	1463166000	1	SKIRTS KIT

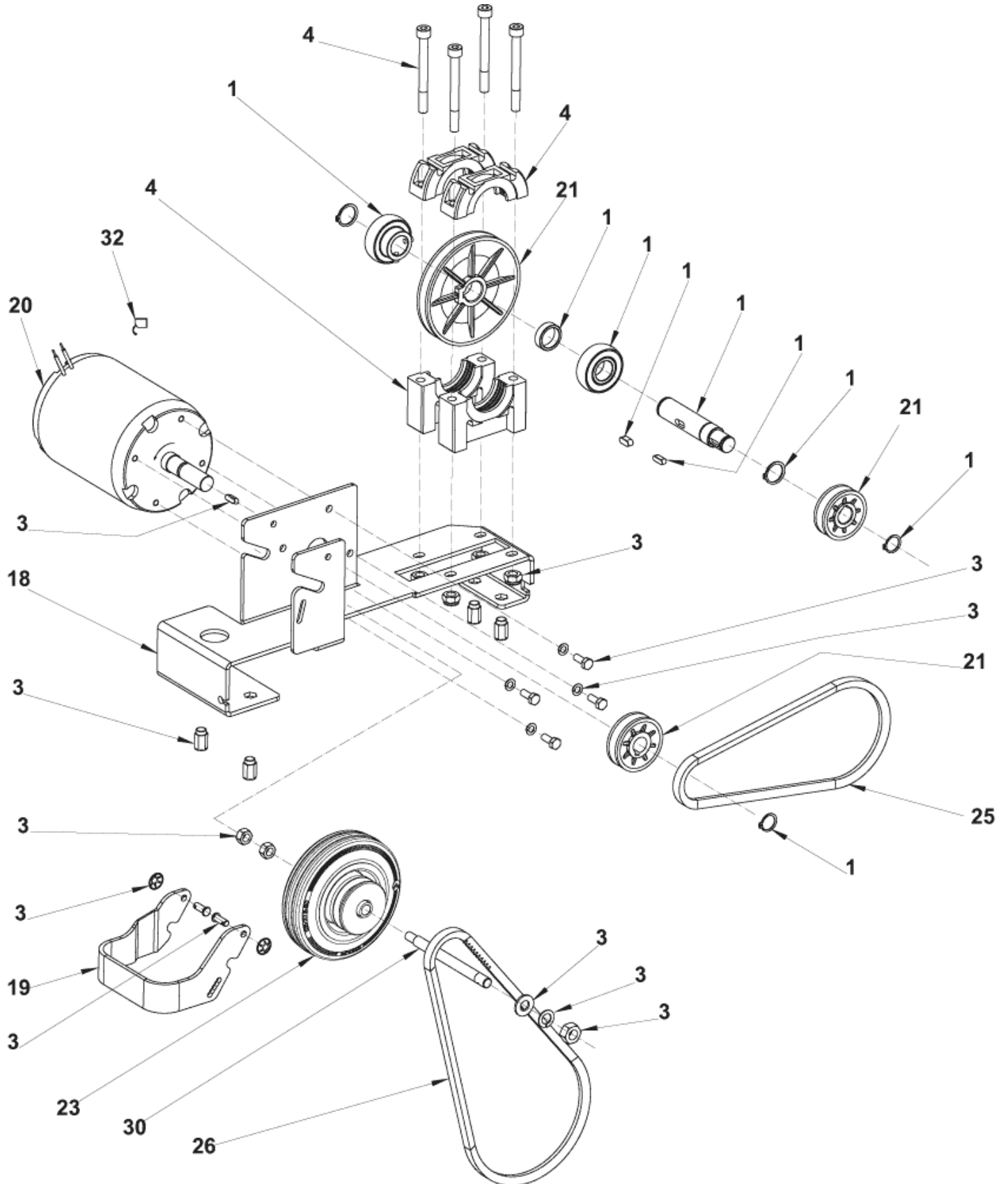
KRAFTÜBERTRAGUNG

SW 750

28-03-2015

ET-Liste-Nr. F233115

11



KRAFTÜBERTRAGUNG

SW 750

28-03-2015

ET-Liste-Nr. FZ33115

12

Pos	Artikelnr.	Me	Beschreibung
1	1463867000	1	Achsriemenscheibenkit
3	1463868000	1	HARDWARE TRANSMISSION SYST KIT
4	1463866000	1	BEARING SUPPORTS KIT
18	146 3000 000	1	PLATE MOTOR SUPPORT
19	146 3002 000	1	BRACKET CLUTCH WHEEL
20	1465998000	1	MOTOR ELECTRIC 200W 12V PKD
21	1463869000	1	Riemenscheibe
23	146 3006 000	1	ANTRIEBSRAD
25	1463305000	1	Riemen
26	1464045000	1	Riemenkit
30	146 3013 000	1	SHAFT DRIVE CLUTCH WHEEL
32	909 6893 000	1	BRUSH CARBON KIT 4PCS

Left and right hatch assembly

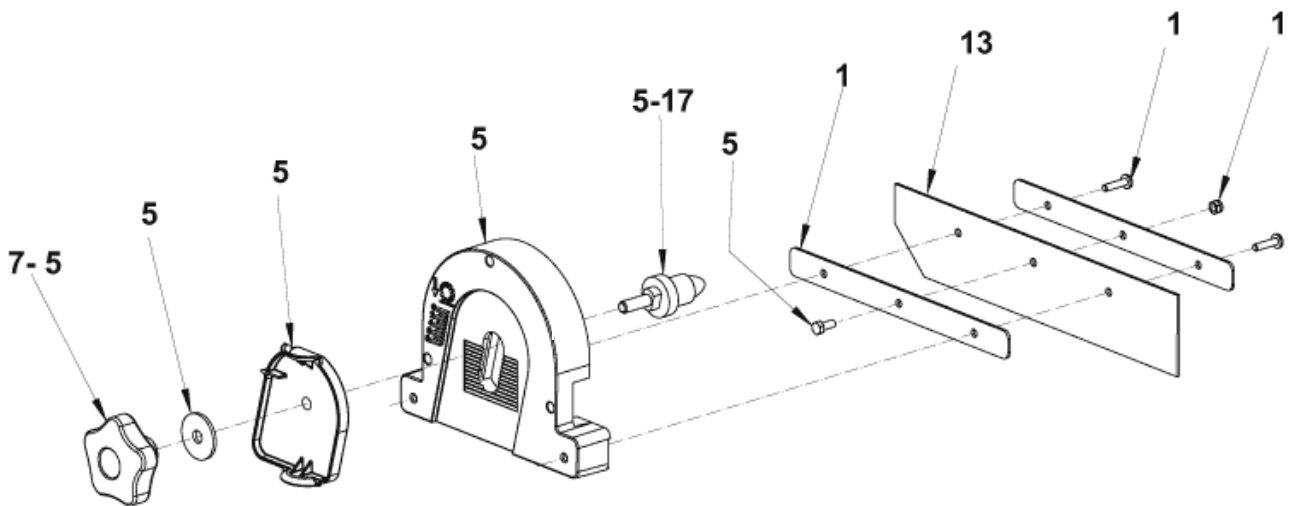
SW 750

28-03-2015

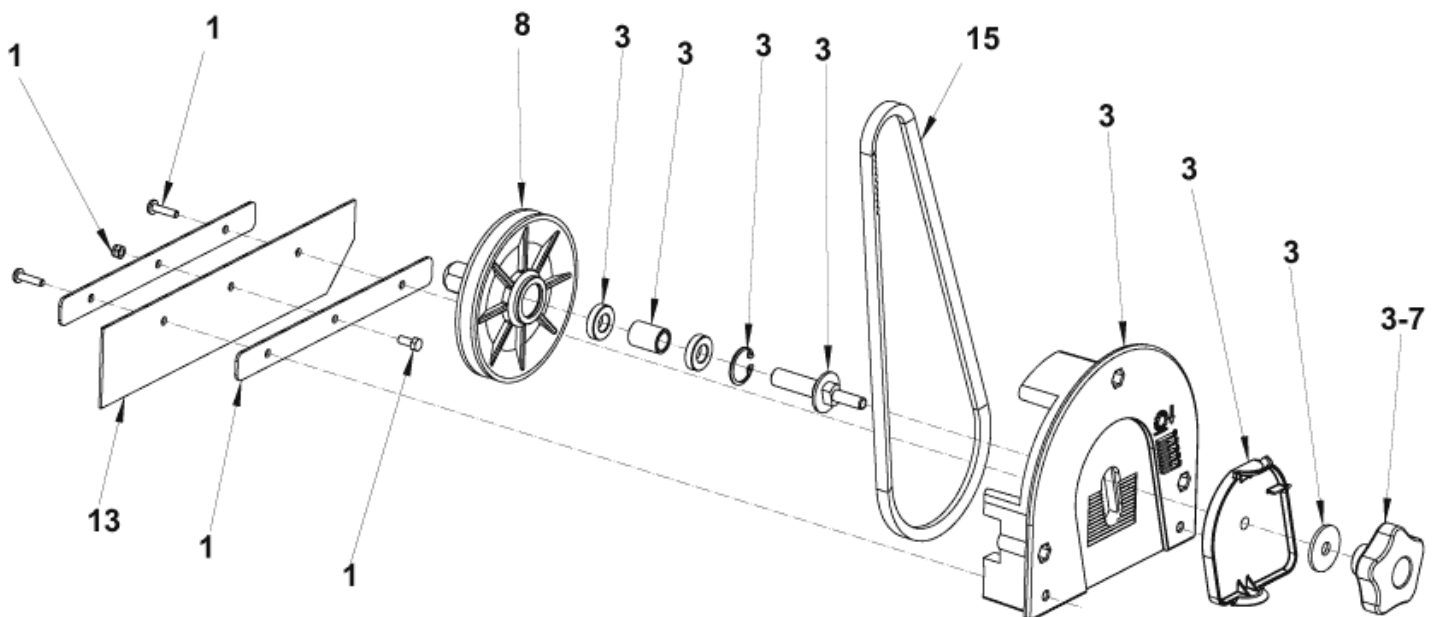
ET-Liste-Nr. F233117

13

ASSIEME PORTELLO SINISTRO - LEFT HATCH ASSEMBLY



ASSIEME PORTELLO DESTRO - RIGHT HATCH ASSEMBLY



Left and right hatch assembly

SW 750

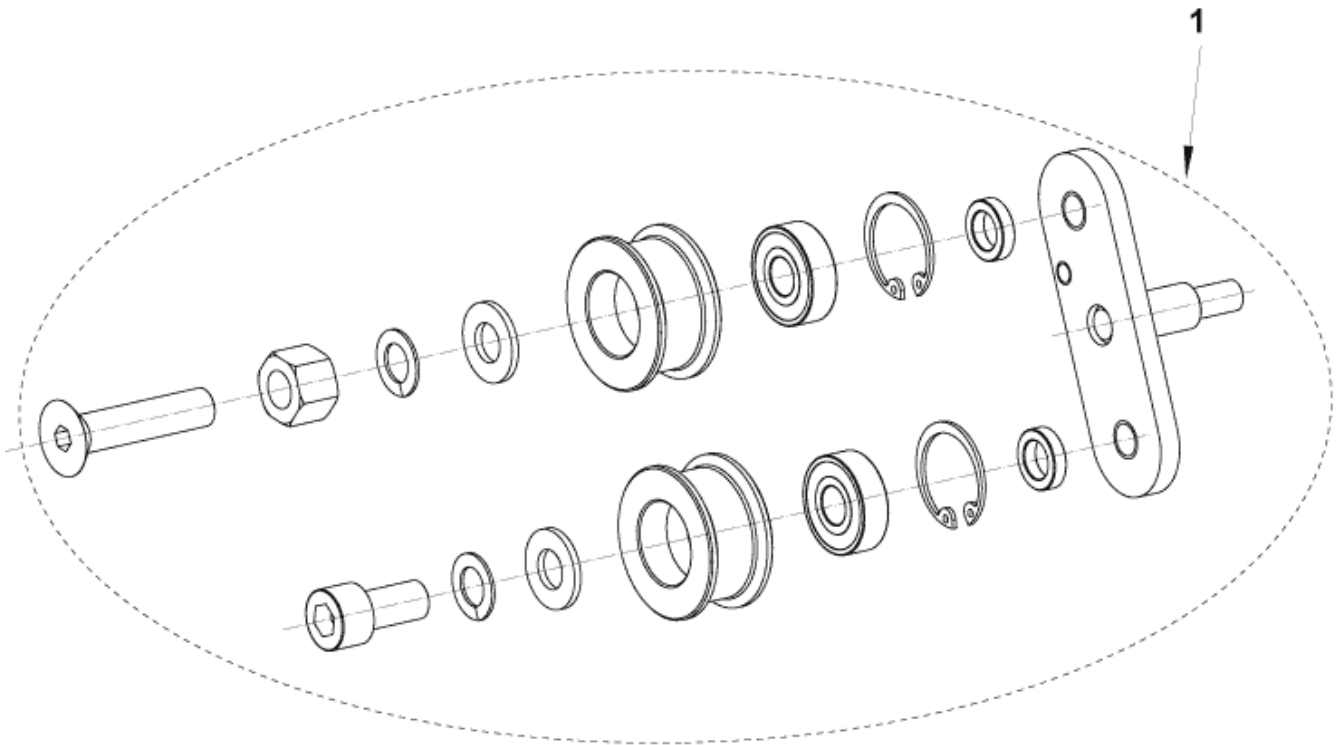
28-03-2015

ET-Liste-Nr. FZ33117

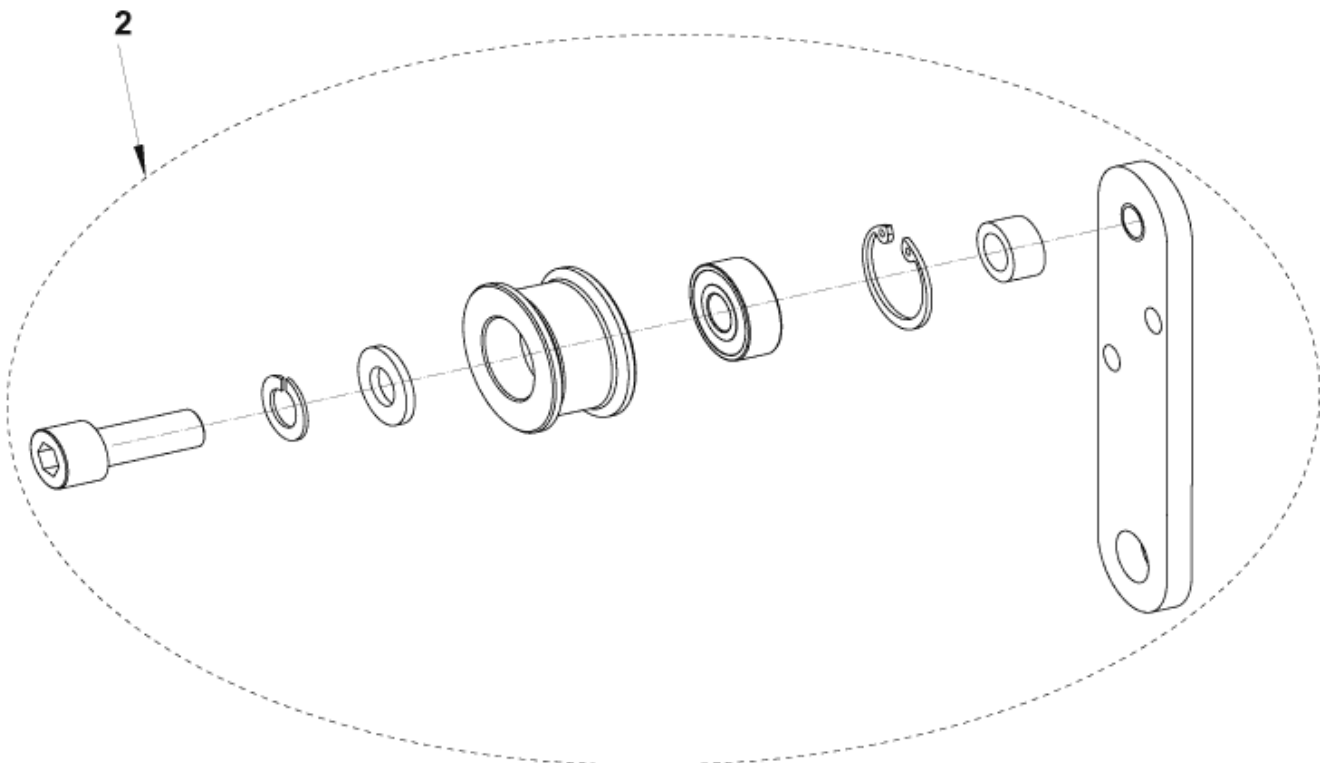
14

Pos	Artikelnr.	Me	Beschreibung
1	146 3124 000	1	PLATES AND SKIRTS FIXING KIT
3	1463870000	1	HATCH RIGHT FIXING KIT
5	1463871000	1	HATCH LEFT FIXING KIT
7	146 1852 000	2	DREHKNOPF M8
8	146 3014 000	1	RIEMENSCHIBE D.112
13	1463166000	1	SKIRTS KIT
15	146 3027 000	1	Keilriemen
17	146 3020 000	1	Bolzen, Kehrwalze

GRUPPO TENDICINGHIA DOPPIO - DOUBLE BELT TENSIONER ASSEMBLY



GRUPPO TENDICINGHIA - BELT TENSIONER ASSEMBLY



Belt tensioner assemblies

SW 750

28-03-2015

ET-Liste-Nr. FZ33119

16

Pos	Artikelnr.	Me	Beschreibung
1	1463872000	1	Riemenspanner doppelt KIT
2	1463873000	1	Riemenspanner Doppelkit

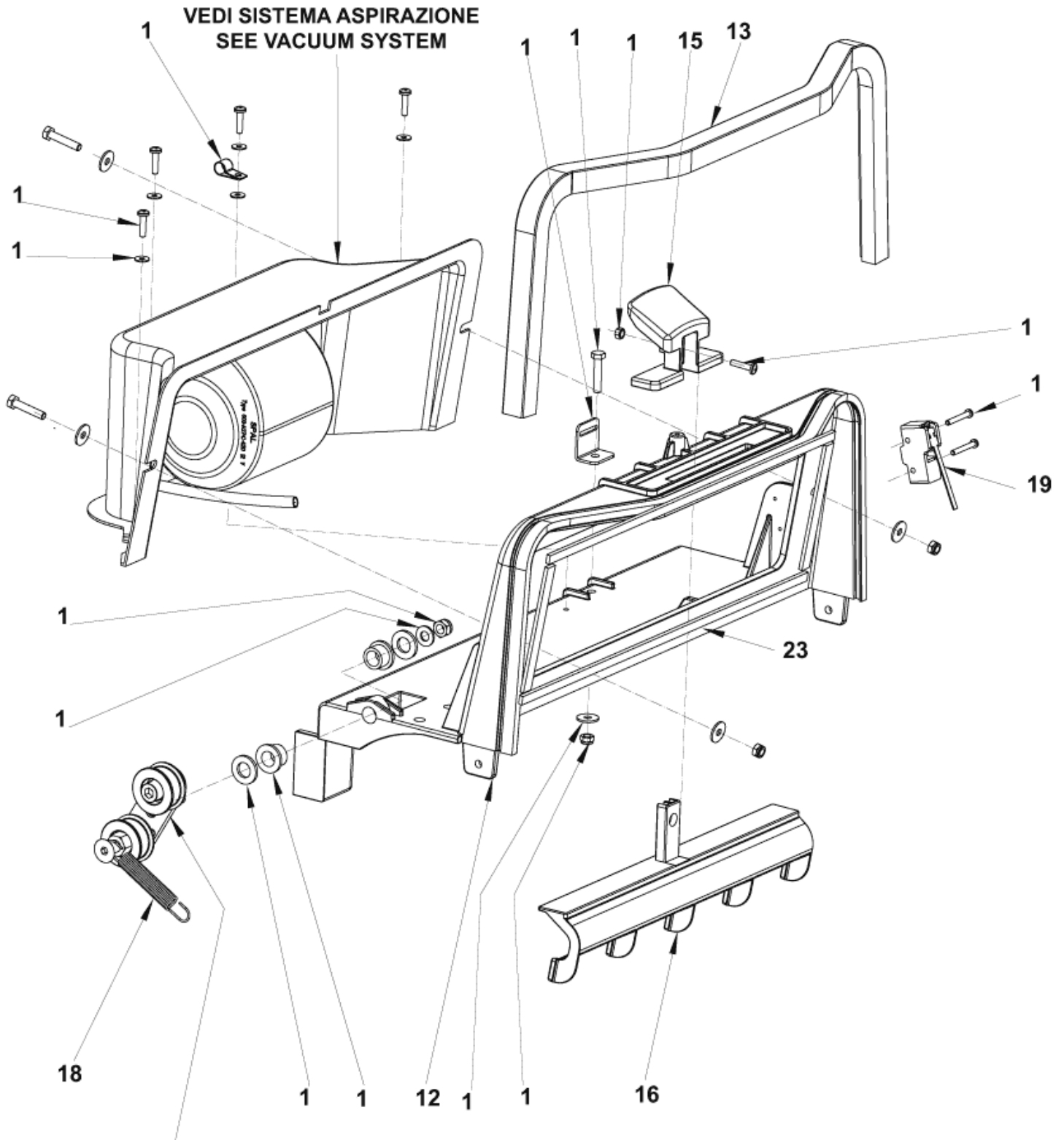
Staubeindämmsystem

SW 750

28-03-2015

ET-Liste-Nr. F233121

17



Staubesindämmsystem

SW 750

28-03-2015

ET-Liste-Nr. FZ33121

18

Pos	Artikelnr.	Me	Beschreibung
1	1463874000	1	BefestigungsKit
12	146 2988 000	1	Filterstütze
13	1463747000	1	Dichtung L 845mm
15	146 2992 000	1	HANDLE FILTER SHAKER
16	146 2993 000	1	FILTER SHAKER
18	145 0274 000	1	Riemenspannarm
19	145 9679 000	1	Mikroschalter 16A 250V
23	1463176000	2	Dichtungs KIT

VAKUUMSYSTEM

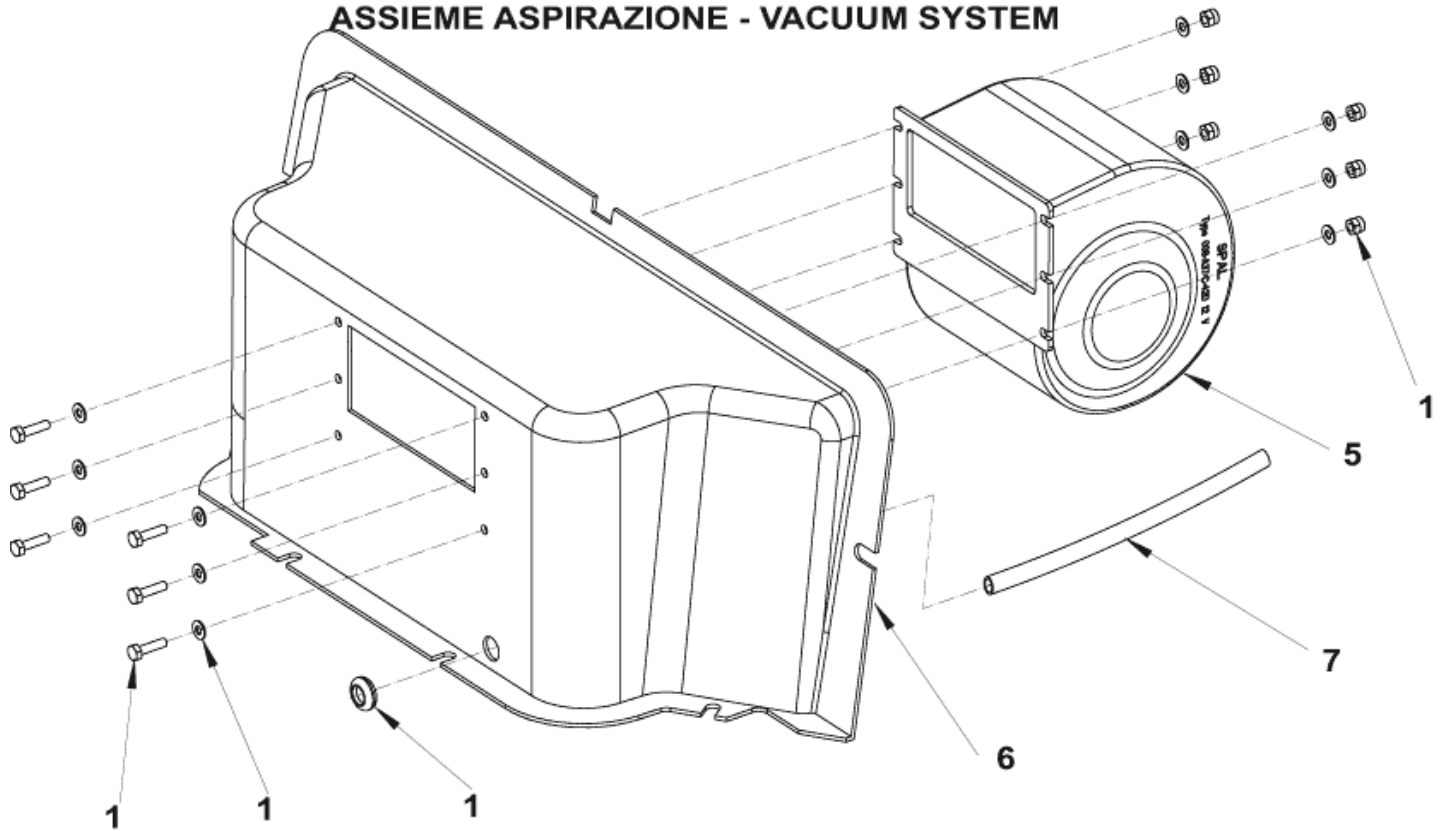
SW 750

28-03-2015

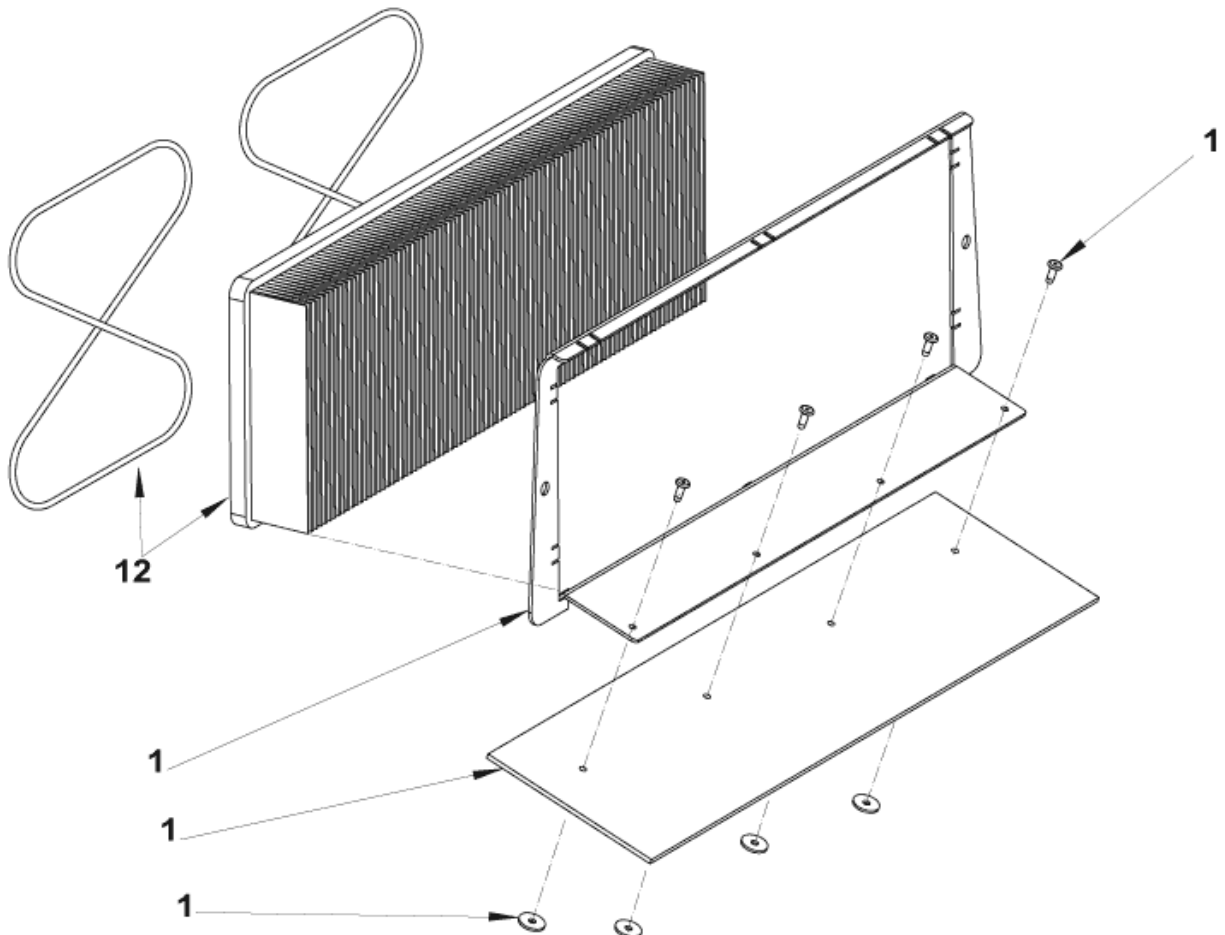
ET-Liste-Nr. F233123

19

ASSIEME ASPIRAZIONE - VACUUM SYSTEM



GRUPPO FILTRO - FILTER ASSEMBLY



VAKUUMSYSTEM

SW 750

28-03-2015

ET-Liste-Nr. FZ33123

20

Pos	Artikelnr.	Me	Beschreibung
1	1463875000	1	Filter Befestigung KIT
5	146 1804 000	1	Kühler
6	146 3055 000	1	CONVEYOR
7	146 3125 000	1	HÜLSE D.6xD.7 L 200
12	1463161000	1	FILTER POLYESTER KIT

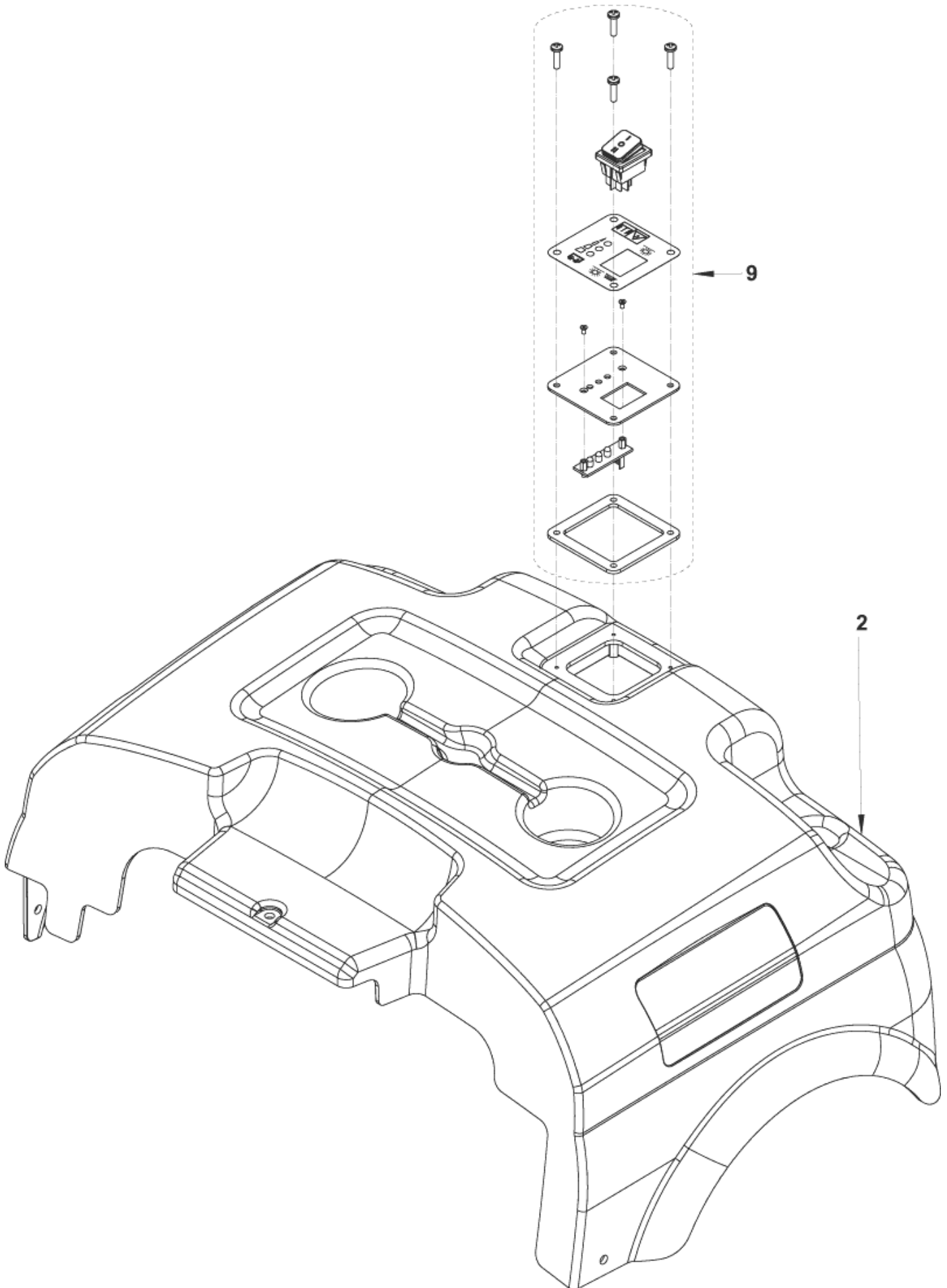
BEDIENFELD BAUGRUPPE

SW 750

28-03-2015

ET-Liste-Nr. F233125

21



BEDIENFELD BAUGRUPPE

SW 750

28-03-2015

ET-Liste-Nr. FZ33125

22

Pos	Artikelnr.	Me	Beschreibung
2	146 3069 000	1	COVER REAR GREY
9	146 3123 000	1	PANEL CONTROL W/DECAL KIT

VERDRÄHTUNGSPLAN

28-03-2015

ET-Liste-Nr. F233126

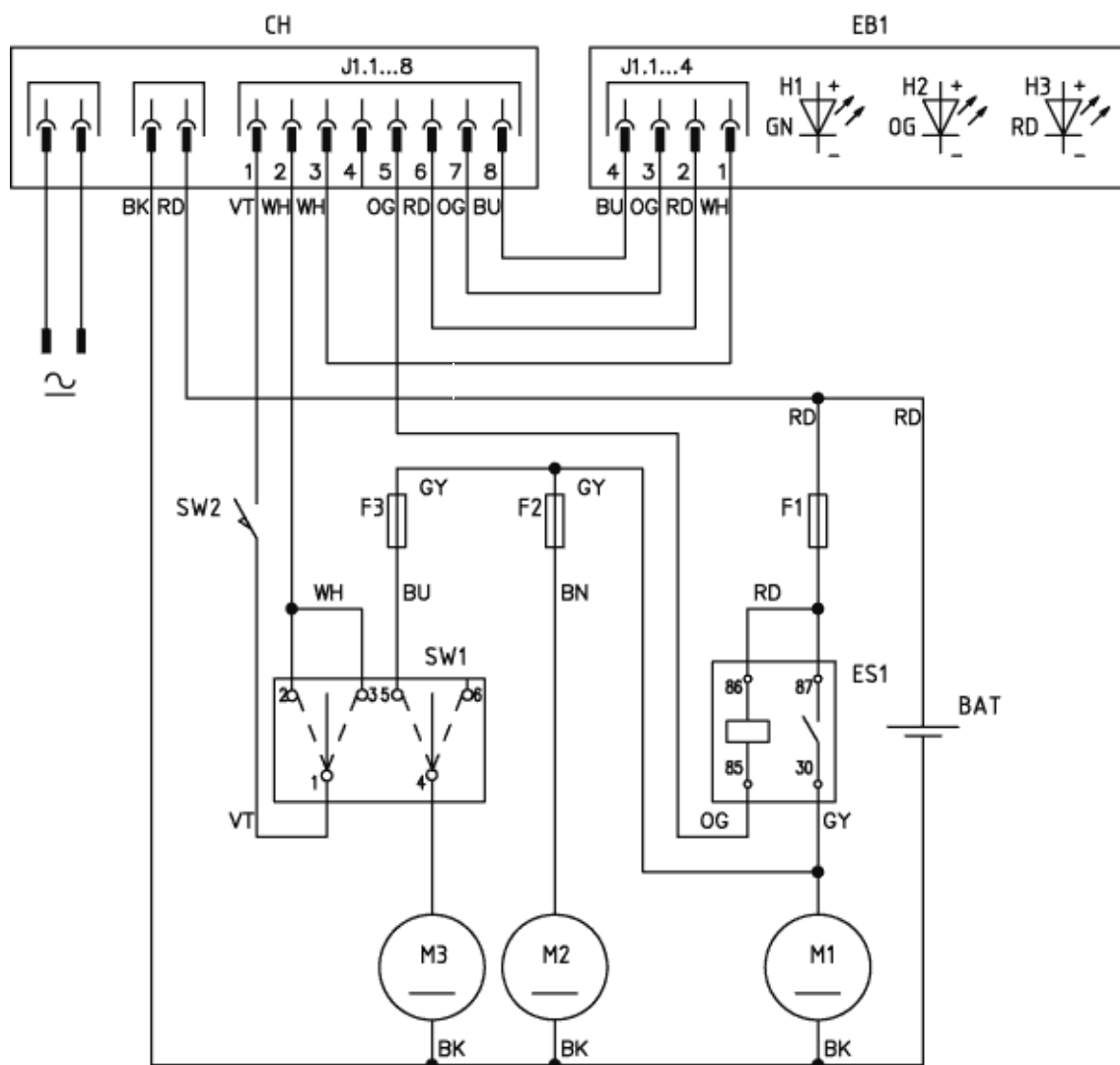
23

SW 750

WIRING DIAGRAM

SW 750

146 3089 000 - Rev.B



COMPONENTI		COMPONENTS
BAT	Batteria 12V	12V Battery
CH1	Caricabatterie-controllo funzioni	Batt. charger / Function controller
EB1	Scheda LED	LED board
ES1	Relé	Relais
F1	Fusibile principale	Main circuit breaker
F2	Fusibile ventola	Fan fuse
F3	Fusibile spazzola laterale	Side brush circuit breaker
H1	Led batteria piena carica	Full charge led
H2	Led batteria mezza carica	Half charge led
H3	Led batteria scarica	Empty charge led
M1	Motore principale	Main motor
M2	Ventola aspirazione	Fan
M3	Motore spazzola laterale	Side brush motor
SW1	Interruttore	Switch
SW2	Microinterruttore cofano	Hopper microswitch

VERDRAHTUNGSPLAN

SW 750

28-03-2015

ET-Liste-Nr. FZ33126

24

EMPFOHLENE ERSATZTEILE

SW 750

28-03-2015

ET-Liste-Nr. F233127

25

Keine Zeichnung zur ET-Liste

EMPFOHLENE ERSATZTEILE

SW 750

28-03-2015

ET-Liste-Nr.

FZ33127

26

Pos	Artikelnr.	Me	Beschreibung	
0	145 9679 000	1	Mikroschalter 16A 250V	EXTRAORDINARY MAINTENANCE
0	146 1804 000	1	Kühler	EXTRAORDINARY MAINTENANCE
0	146 3016 000	1	BROOM MAIN 180X500	ACCESSORY
0	146 3027 000	1	Keilriemen	WEAR PARTS
0	146 3035 000	1	Seitenbesen 109X315 PPL0,5	WEAR PARTS
0	146 3036 000	1	BROOM SIDE 109X315 NYLON	ACCESSORY
0	146 3051 000	1	BATTERIE 12V 6A	EXTRAORDINARY MAINTENANCE
0	146 3090 000	1	HAUPTSCHALTER 5A	EXTRAORDINARY MAINTENANCE
0	146 3113 000	1	RELAIS 12V 70 A TYCO	EXTRAORDINARY MAINTENANCE
0	146 3123 000	1	PANEL CONTROL W/DECAL KIT	EXTRAORDINARY MAINTENANCE
0	1463161000	1	FILTER POLYESTER KIT	ORDINARY MAINTENANCE
0	1463166000	1	SKIRTS KIT	WEAR PARTS
0	1463167000	1	SKIRTS NO MARKING KIT	ACCESSORY
0	1463171000	1	CARPET KIT	ACCESSORY
0	1463174000	1	Kehrwalze 200X500 PPL0,7PPL 0,3	WEAR PARTS
0	1463201000	1	BATTERY CLAMPS POS.-NEG.KIT	ACCESSORY
0	1463255000	1	Seitenbesenschürzen Kit	ACCESSORY
0	1463305000	1	Riemen	ORDINARY MAINTENANCE
0	1463860000	1	Radkit schwarz	EXTRAORDINARY MAINTENANCE
0	1464045000	1	Riemenkit	ORDINARY MAINTENANCE
0	1464483000	1	BATTERY 12V 49AH AGM MONOBLOC	EXTRAORDINARY MAINTENANCE
0	1464853000	1	BATTERY DISCOVER 12V 84Ah	ACCESSORY
0	1465998000	1	MOTOR ELECTRIC 200W 12V PKD	EXTRAORDINARY MAINTENANCE
0	1465999000	1	REDUCTION GEARMOTOR 40W 12V PKD	EXTRAORDINARY MAINTENANCE
0	909 5706 000	1	Sicherung 30A	EXTRAORDINARY MAINTENANCE