

IV 022

Model:
IV 022



Part List US-English

21-04-2015

Table of Contents

IV 022

| | |
|---|-----------|
| Standard version - electric box | 3 |
| Standard version - wiring diagram 1 | 5 |
| Standard version - wiring diagram 2 | 7 |
| Filter shaker version - electric box | 9 |
| Filter shaker version - wiring diagram 1 | 11 |
| Filter shaker version - wiring diagram 2 | 13 |
| Trolley | 15 |
| Safety / Absolute filter container | 17 |
| Containers | 19 |
| Filters and Top container | 21 |
| 230V version - electric box | 23 |
| 230V version - wiring diagram 1 | 25 |
| 230V version - wiring diagram 2 | 27 |
| Cartidge - electric box | 29 |
| Cartirdge - wiring diagram | 31 |
| Vacuum Pump system | 33 |
| Standard Electrical components | 35 |
| Electrical filter shaker | 37 |
| Dust bag system | 39 |
| Safe bag system | 41 |
| Plastic bag system | 43 |
| S.S. Container | 45 |
| Liquid system | 47 |
| Cartridge Cpl. | 49 |
| Class M. | 51 |
| Class H. | 53 |
| Asbestos | 55 |
| ABS Container | 57 |
| HEPA Filter | 59 |
| SAFETY Filter | 61 |

Standard version - electric box

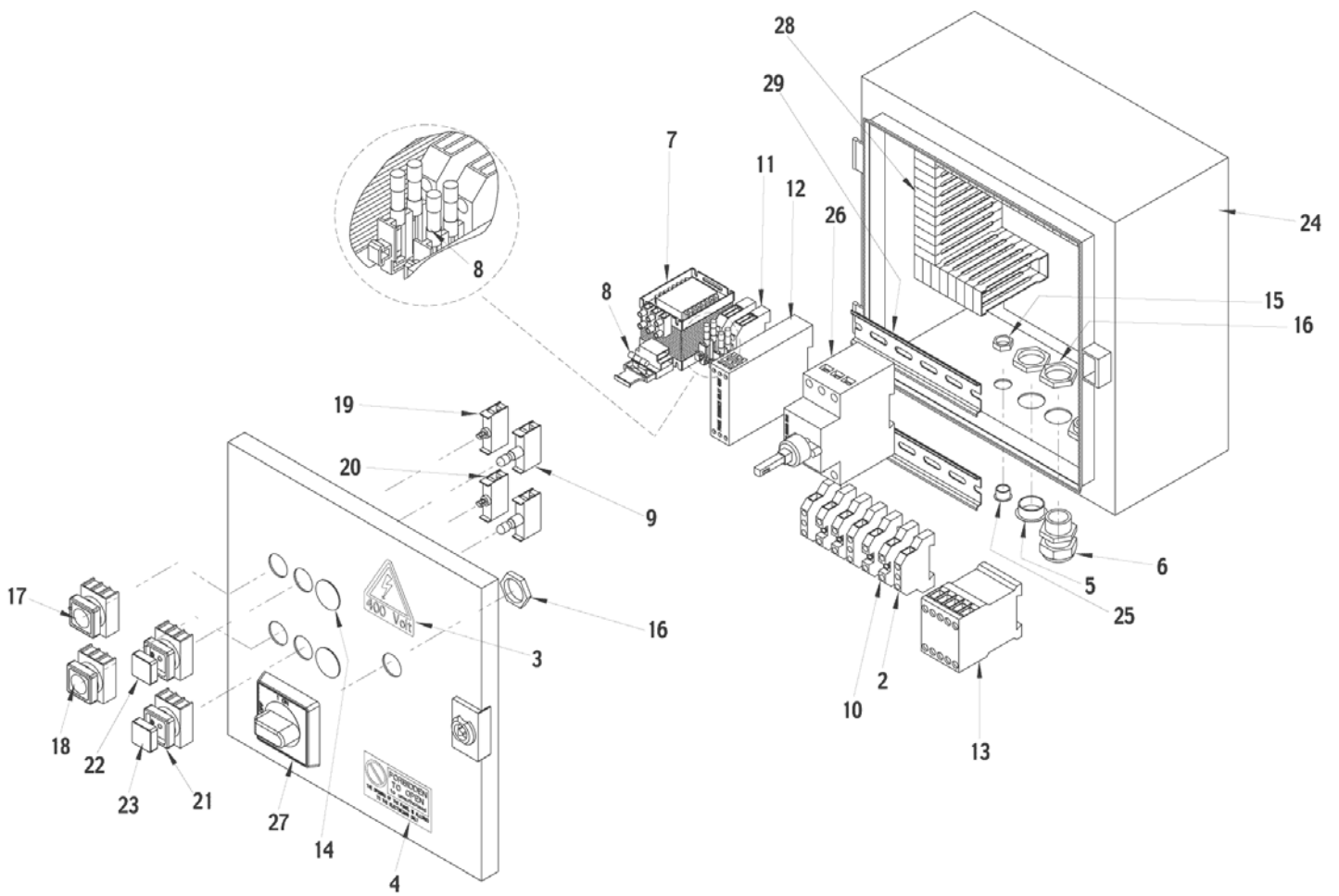
IV 022

21-04-2015

Part List ID

G20322

3



Standard version - electric box

IV 022

21-04-2015

Part List ID

GZU3Z2

4

| Pos | Part no. | Qty | Description |
|-----|-----------|-----|--|
| 2 | Z8 39121 | 3 | TERMINAL EARTH 6MMQ S |
| 3 | 32401167 | 1 | DECAL. VOLTAGE PRESENCE DECAL. VOLTAGE |
| 4 | Z8 17689 | 1 | LABEL FORBIDDEN TO OPEN 82X42 |
| 6 | Z8 39055 | 2 | CABLE GLAND PG16 PA |
| 7 | Z8 391050 | 1 | TRANSFORMER 20VA 400-230/24V FUSE AT SEC |
| 8 | 32401192 | 5 | GLASS FUSE 5X20 1A DELAY GLASS FUSE 5X20 |
| 9 | Z8 39114 | 2 | LAMP BA9 V24 |
| 10 | Z8 39120 | 4 | TERMINAL LINE 6MMQ S |
| 11 | Z8 39244 | 2 | TERMINAL FUSEHOLDER 1.5mmq S 5X20 |
| 12 | Z8 391120 | 1 | RELAY PHASE SEQUENCE 180-600V |
| 13 | Z8 39281 | 1 | CONTACTOR KW4 24VAC 1NO SIRIUS S00 |
| 14 | Z8 39522 | 2 | PLUG BLIND CONTROL PLATE D22 |
| 15 | Z8 39565 | 1 | METAL RING NUT PG7 |
| 16 | Z8 39568 | 4 | METAL RING NUT PG16 |
| 17 | 32401221 | 1 | PULSE. START PULSE. START |
| 18 | 32401222 | 1 | PULSE. STOP PULSE. STOP |
| 19 | 32401224 | 1 | CONTACT |
| 20 | 32401225 | 1 | CONTACT. NC CONTACT. NC |
| 21 | 32401226 | 2 | LAMP HOLDER P.C. LAMP HOLDER P.C. |
| 22 | 32401227 | 1 | LAMP. WHITE V24 P.C. LAMP. WHITE V24 |
| 23 | 32401228 | 1 | LAMP. YELLOW V24 P.C. LAMP. YELLOW V24 |
| 24 | 32401229 | 1 | STEEL BOX 300X300X160 + STEEL BOX |
| 25 | Z8 39745 | 1 | PLUG BLIND PG7 PVC |
| 26 | Z8 39915 | 1 | CIRCUIT BREAKER 5.5-8 A SIRIUS S0 |
| 27 | Z8 39924 | 1 | HANDLING TO SIRIUS S0 CIRCUIT BREAKER |
| 28 | 32401241 | 1 | RACEWAY 25x80 RACEWAY 25x80 |
| 29 | 32401243 | 2 | GUIDE. OMEGA GUIDE. OMEGA |

Standard version - wiring diagram 1

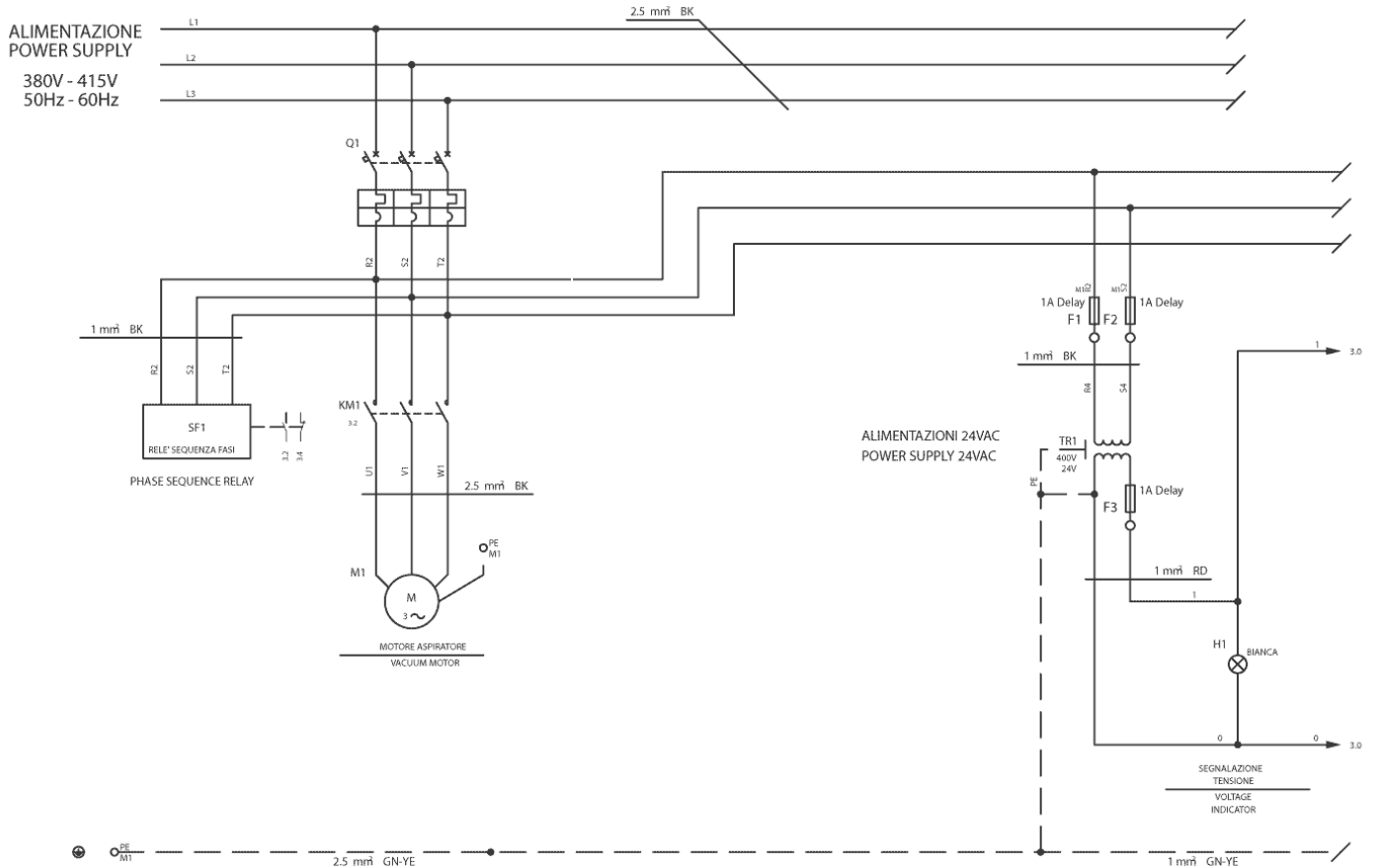
IV 022

21-04-2015

Part List ID G20323

5

WIRING DIAGRAM 32401149



| Nome/Item | Descrizione/Description | Descrizione/Description |
|-----------|---------------------------------|-------------------------------|
| H1 | SPIA BIANCA | WHITE LAMP |
| H3 | SPIA GIALLA | YELLOW LAMP |
| KM1 | TELERUTTORE HP 5,5 24VAC 1NO | CONTACTOR HP 5,5 24VAC 1NO |
| PA | PULSANTE | BUTTON |
| PM | PULSANTE | BUTTON |
| Q1 | SALVAMOTORE 5,5-8 A | AUTOMATIC BREAKER 5,5-8 A |
| | MORSETTO PORTAFUSIBILE 9-12,5 A | AUTOMATIC BREAKER 9-12,5 A |
| SF1 | RELE' SEQUENZA FASI 400V | PHASE SEQUENCE RELAY 400V |
| TR1 | TRASFORMATORE 20VA 400/24V | TRANSFORMER 20VA 400/24V |
| M1 | MORSETTO TERRA 6mmq S | GROUND TERMINAL 6mmq S |
| | MORSETTO PORTAFUSIBILE 1,5mmq S | FUSE HOLDER TERMINAL 1,5mmq S |
| | MORSETTO LINEA 6mmq S | LINE TERMINAL 6mmq S |

Standard version - wiring diagram 1

IV 022

21-04-2015

Part List ID GZU323

6

Standard version - wiring diagram 2

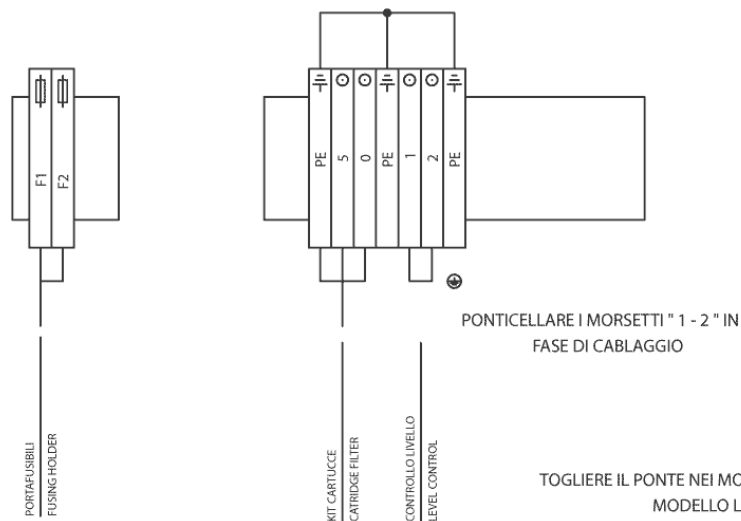
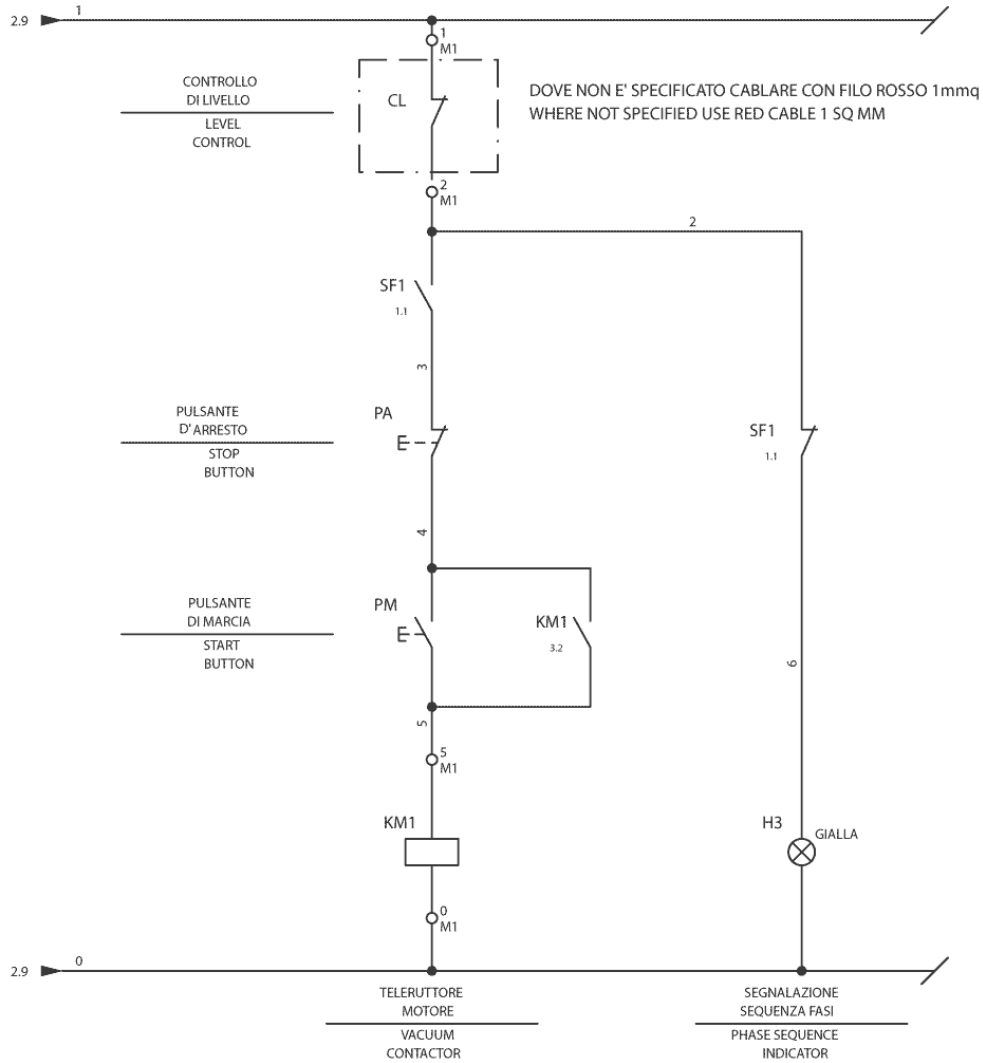
IV 022

21-04-2015

Part List ID G20324

7

WIRING DIAGRAM 32401149



Standard version - wiring diagram 2

IV 022

21-04-2015

Part List ID
GZU324

8

Filter shaker version - electric box

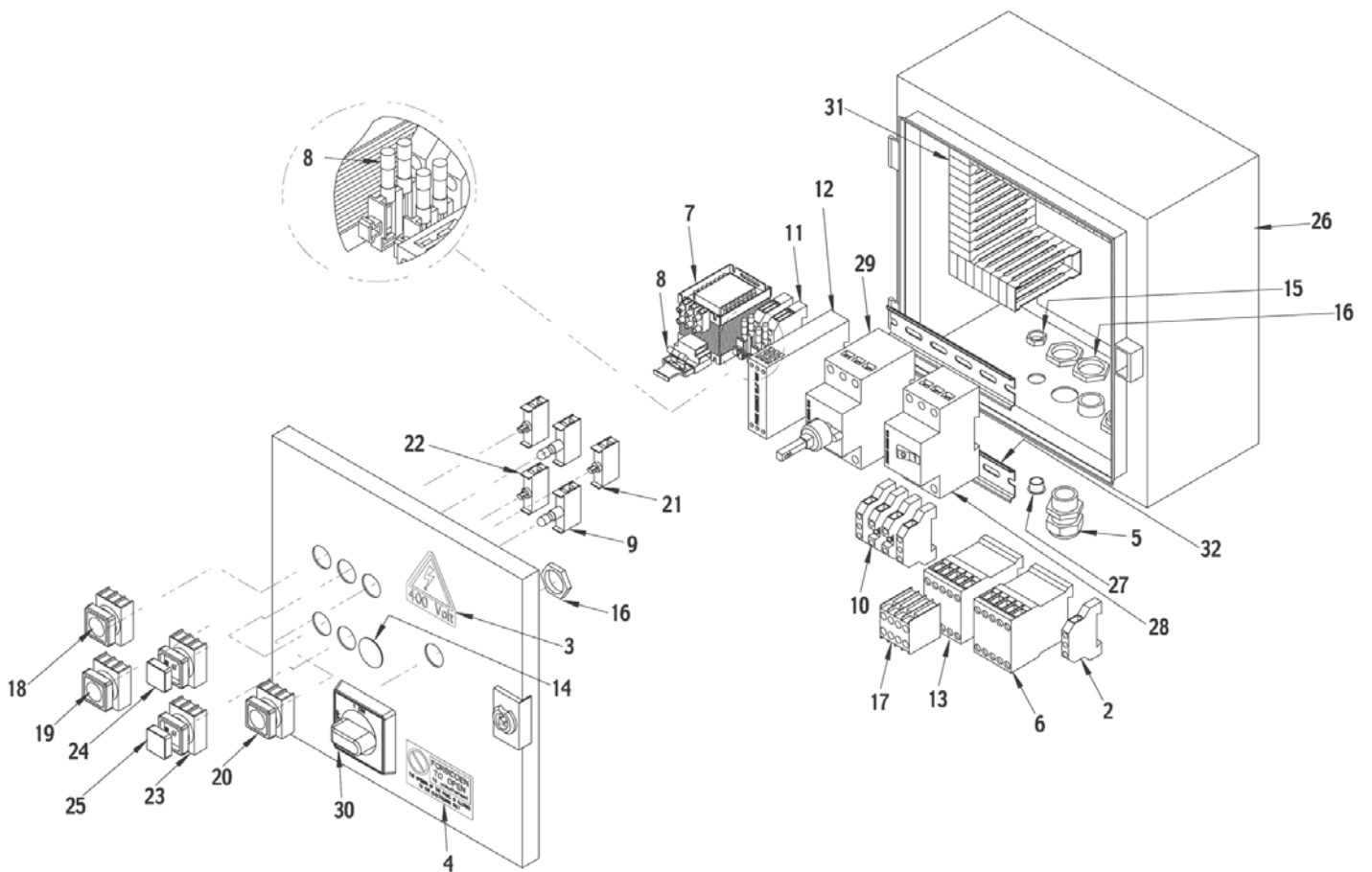
IV 022

21-04-2015

Part List ID

G20326

9



Filter shaker version - electric box

IV 022

21-04-2015

Part List ID

GZU326

10

| Pos | Part no. | Qty | Description |
|-----|-----------|-----|--|
| 2 | Z8 39121 | 3 | TERMINAL EARTH 6MMQ S |
| 3 | 32401167 | 1 | DECAL. VOLTAGE PRESENCE DECAL. VOLTAGE |
| 4 | Z8 17689 | 1 | LABEL FORBIDDEN TO OPEN 82X42 |
| 5 | Z8 39055 | 3 | CABLE GLAND PG16 PA |
| 6 | Z8 391006 | 1 | CONTACTOR KW3 24VAC 1NC SIRIUS S00 |
| 7 | Z8 391050 | 1 | TRANSFORMER 20VA 400-230/24V FUSE AT SEC |
| 8 | 32401192 | 5 | GLASS FUSE 5X20 1A DELAY GLASS FUSE 5X20 |
| 9 | Z8 39114 | 2 | LAMP BA9 V24 |
| 10 | Z8 39120 | 2 | TERMINAL LINE 6MMQ S |
| 11 | Z8 39244 | 2 | TERMINAL FUSEHOLDER 1.5mmq S 5X20 |
| 12 | Z8 391120 | 1 | RELAY PHASE SEQUENCE 180-600V |
| 13 | Z8 39281 | 1 | CONTACTOR KW4 24VAC 1NO SIRIUS S00 |
| 14 | Z8 39522 | 1 | PLUG BLIND CONTROL PLATE D22 |
| 15 | Z8 39565 | 1 | METAL RING NUT PG7 |
| 16 | Z8 39568 | 4 | METAL RING NUT PG16 |
| 18 | 32401221 | 1 | PULSE. START PULSE. START |
| 19 | 32401222 | 1 | PULSE. STOP PULSE. STOP |
| 20 | 32401223 | 1 | PULSE. ELECTRIC SHACKER PULSE. ELECTRIC |
| 21 | 32401224 | 2 | CONTACT |
| 22 | 32401225 | 1 | CONTACT. NC CONTACT. NC |
| 23 | 32401226 | 2 | LAMP HOLDER P.C. LAMP HOLDER P.C. |
| 24 | 32401227 | 1 | LAMP. WHITE V24 P.C. LAMP. WHITE V24 |
| 25 | 32401228 | 1 | LAMP. YELLOW V24 P.C. LAMP. YELLOW V24 |
| 26 | 32401229 | 1 | STEEL BOX 300X300X160 + STEEL BOX. |
| 27 | Z8 39745 | 1 | PLUG BLIND PG7 PVC |
| 28 | Z8 39746 | 1 | CIRCUIT BREAKER 0.7-1 A S00 SIRIUS S00 |
| 29 | Z8 39915 | 1 | CIRCUIT BREAKER 5.5-8 A SIRIUS S0 |
| 30 | Z8 39924 | 1 | HANDLING TO SIRIUS S0 CIRCUIT BREAKER |
| 31 | 32401241 | 1 | RACEWAY 25x80 RACEWAY 25x80 |
| 32 | 32401243 | 2 | GUIDE. OMEGA GUIDE. OMEGA |

Filter shaker version - wiring diagram 1

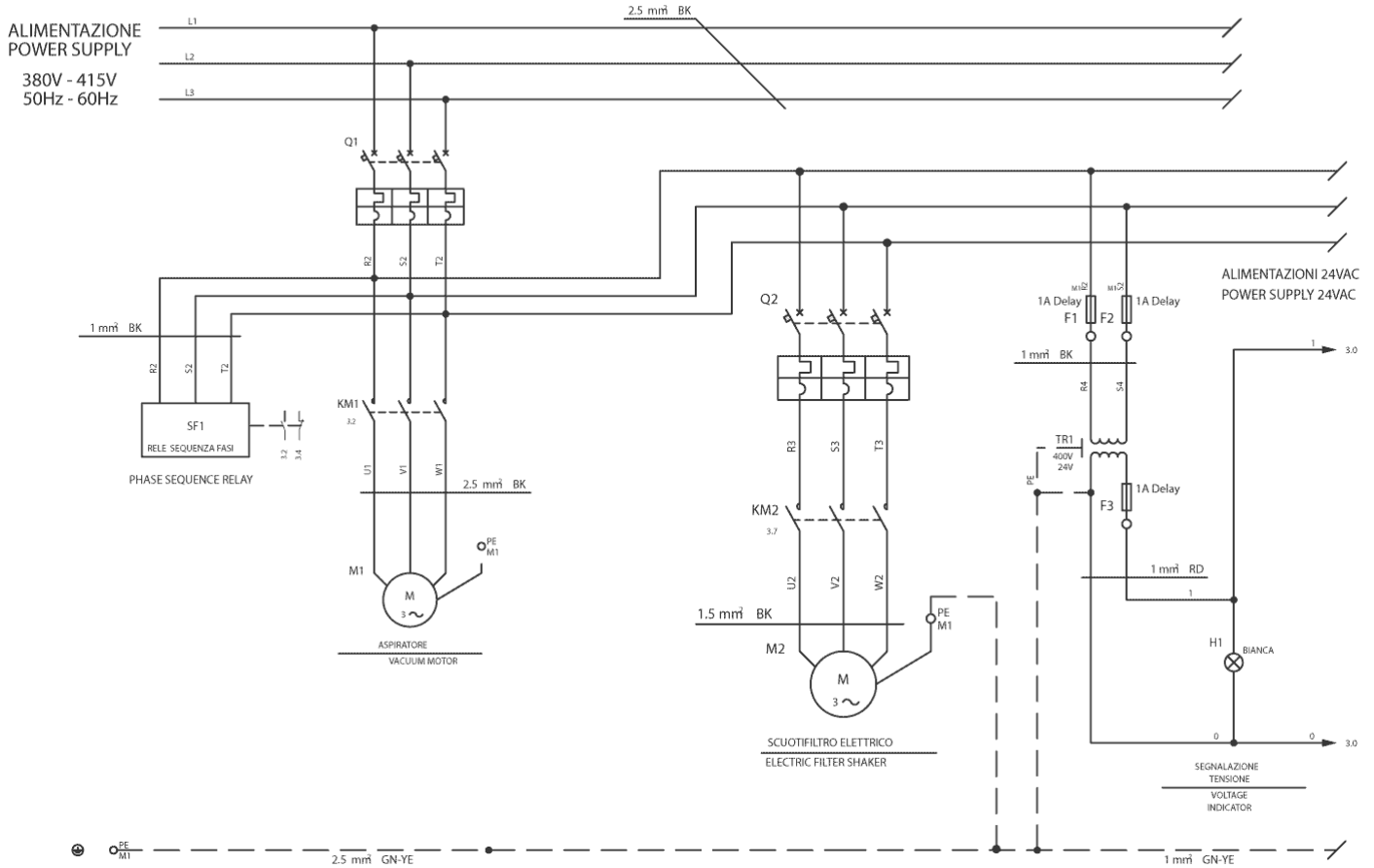
IV 022

21-04-2015

Part List ID
G20327

11

WIRING DIAGRAM 32401150



| Nome/Item | Descrizione/Description | Descrizione/Description |
|-----------|---|---|
| H1 | SPIA BIANCA | WHITE LAMP |
| H3 | SPIA GIALLA | YELLOW LAMP |
| KM1 | TELERUTTORE HP 5,5 24VAC 1NO | CONTACTOR HP 5,5 24VAC 1NO |
| KM2 | TELERUTTORE 3KW 1NC | CONTACTOR 3KW 1NC |
| PA | PULSANTE | BUTTON |
| PM | PULSANTE | BUTTON |
| PS1 | PULSANTE | BUTTON |
| Q1 | SALVAMOTORE 5,5-8 A SALVAMOTORE 9-12,5 A | AUTOMATIC BREAKER 5,5-8 A AUTOMATIC BREAKER 9-12,5 A |
| Q2 | SALVAMOTORE 0,7 - 1 A 500 | AUTOMATIC BREAKER 0,7 - 1 A 500 |
| SF1 | RELE SEQUENZA FASI 400V | PHASE SEQUENCE RELAY 400V |
| TR1 | TRASFORMATORE 20VA 400/24V | TRANSFORMER 20VA 400/24V |
| M1 | MORSETTO PORTAFUSIBILE 1,5mmq S MORSETTO LINEA 6mmq S MORSETTO TERRA 6mmq S | FUSE HOLDER TERMINAL 1,5mmq S LINE TERMINAL 6mmq S GROUND TERMINAL 6mmq S |

Filter shaker version - wiring diagram 1

IV 022

21-04-2015

Part List ID
G2U3Z7

12

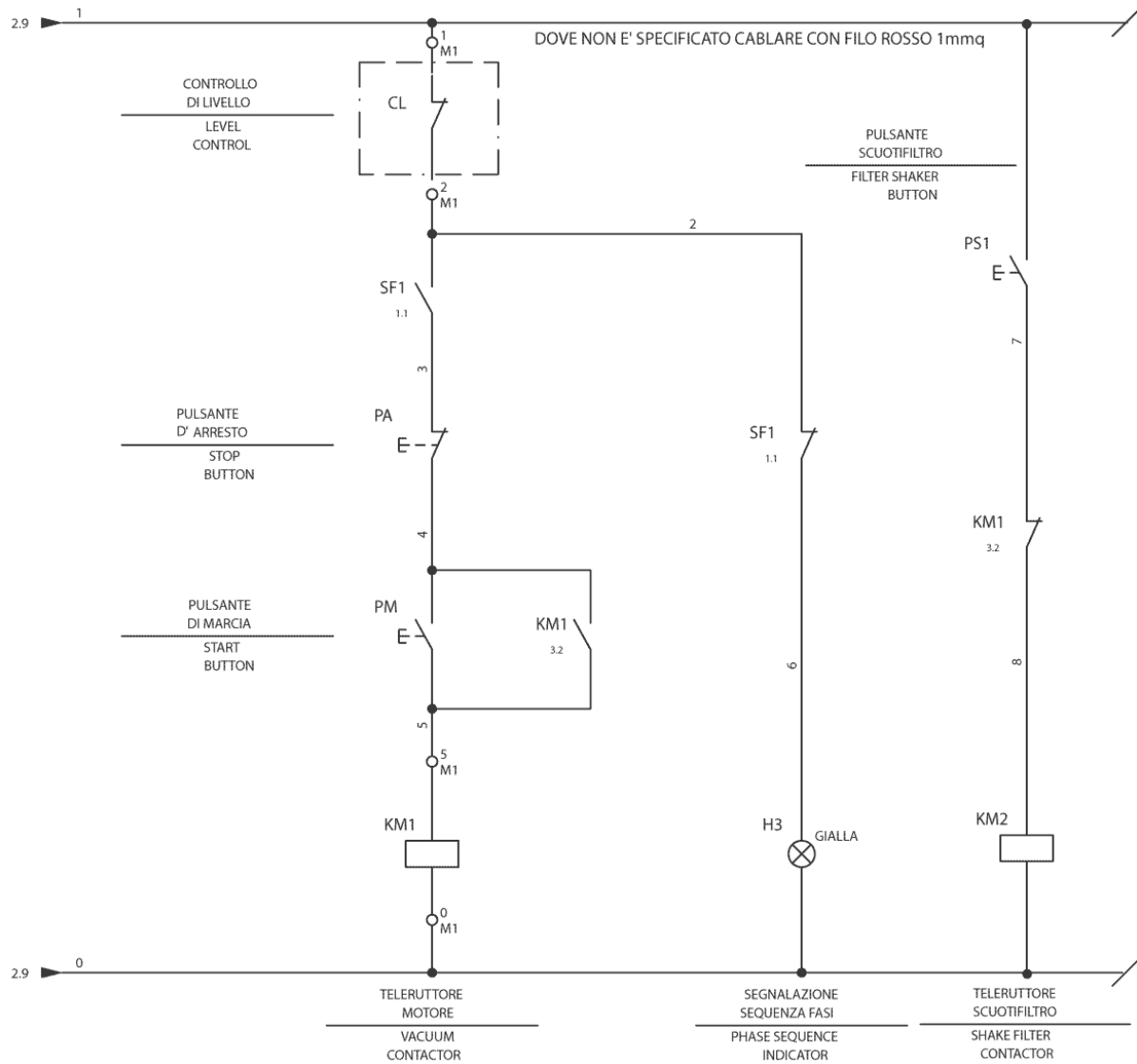
Filter shaker version - wiring diagram 2

IV 022

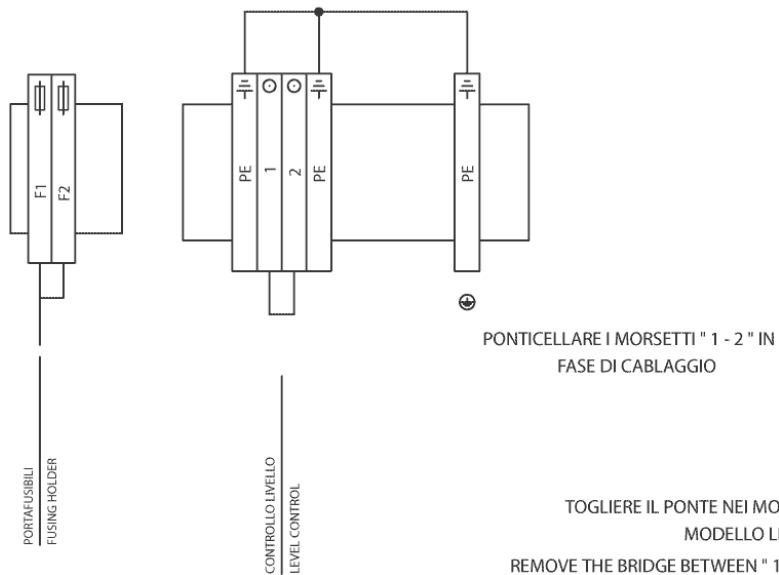
21-04-2015

Part List ID
G20328

13



WIRING DIAGRAM 32401150



Filter shaker version - wiring diagram 2

IV 022

21-04-2015

Part List ID
GZU328

14

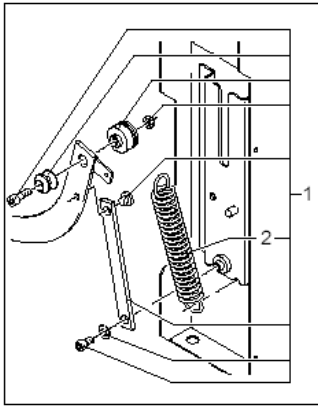
Trolley

IV 022

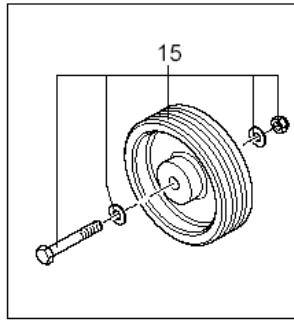
21-04-2015

Part List ID
G20333

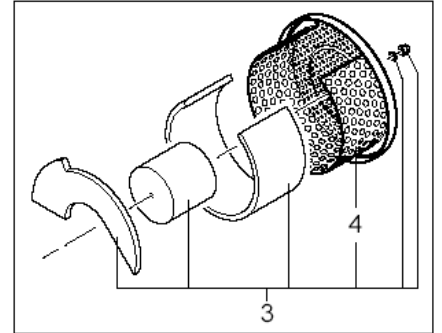
15



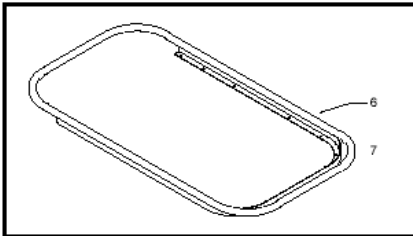
40 A



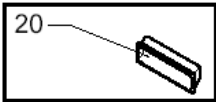
42 A



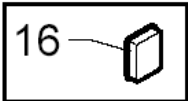
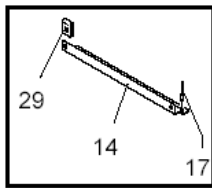
43 A



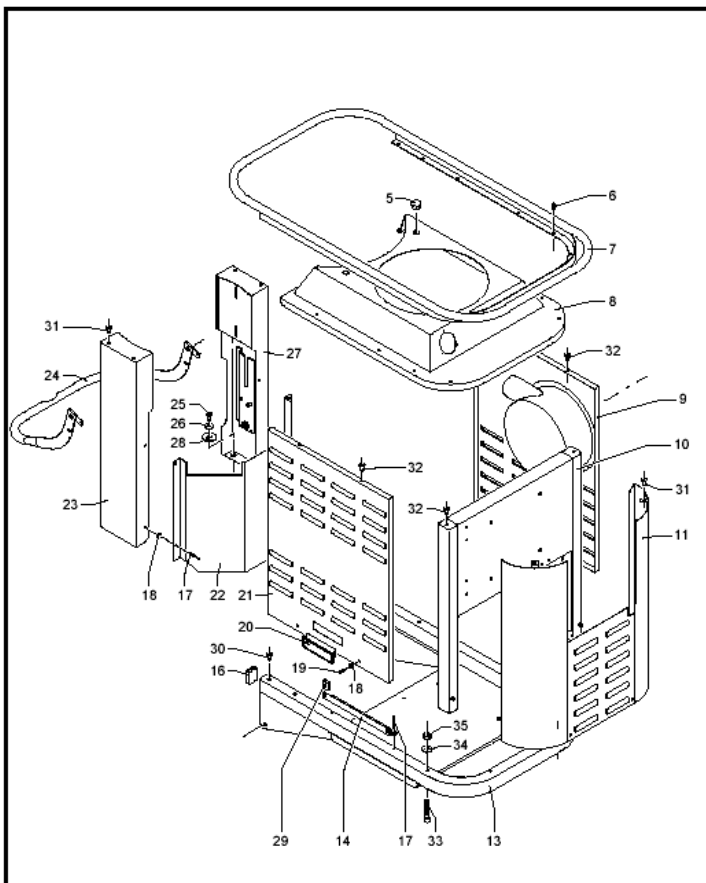
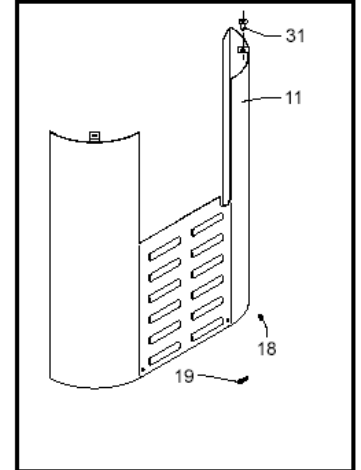
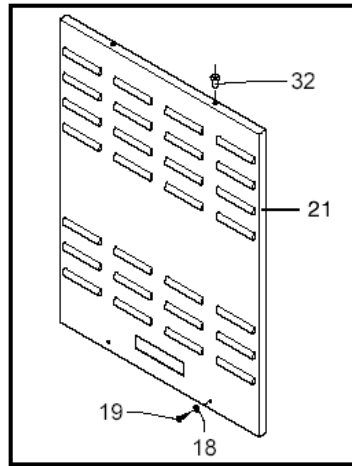
46 A



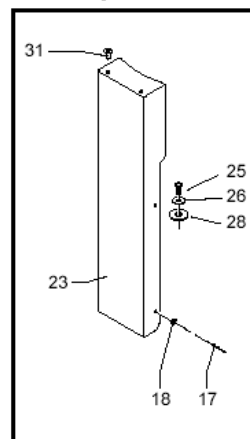
44 A



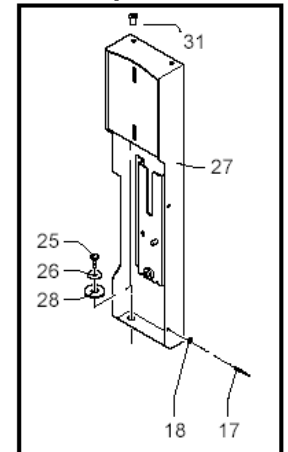
47 A



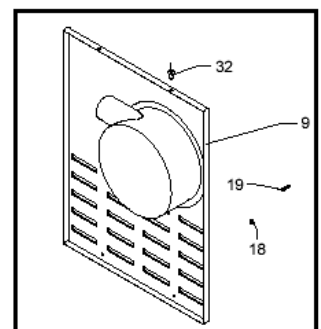
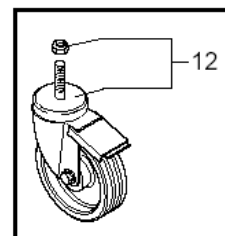
45 A



45 B



41 A



Trolley

IV 022

21-04-2015

Part List ID
GZU333

16

| Pos | Part no. | Qty | Description |
|-----|----------|-----|-------------------------------------|
| 1 | 32400349 | 1 | LEVER.FOR LOWERING COMPLET |
| 2 | 32400350 | 2 | SPRINGS.KIT FOR LOWERING |
| 3 | 32400352 | 1 | SOUNDPROOF.INSERT X DIFF. |
| 4 | 32400361 | 1 | COVERING.KIT FOR EXHAUST OUTLET |
| 12 | 32400319 | 2 | WHEEL.PIVOTING KIT |
| 15 | 32400320 | 2 | WHEEL.KIT COMPLETE |
| 24 | 32400348 | 1 | LEVER.FOR PUSHING KIT D.460 |
| 30 | 32400249 | 4 | RIVET M8 WURTH094860 08 |
| 33 | 32400255 | 2 | SCREW M8X65 CAP HD HEX SOCK ISO4762 |
| 40A | 32400774 | 1 | HANDLE.GUIDE COMPLETE |
| 41A | 32400775 | 1 | PANEL.LEFT COMPLETE |
| 42A | 32400776 | 1 | PANEL.RIGHT COMPLETE |
| 43A | 32400777 | 1 | CASE.REAR KIT COMPLETE |
| 44A | 32400778 | 2 | HANDLE.FOR PANEL KIT COMPLETE |
| 45A | 32400779 | 1 | PILLAR.RIGT COMPLETE |
| 45B | 32400780 | 1 | PILLAR.LEFT COMPLETE |
| 46A | 32400781 | 1 | LEDGE.COMPLETE IV022/040 |
| 47A | 32400782 | 1 | PLUG.X CLOSING BASE SET |

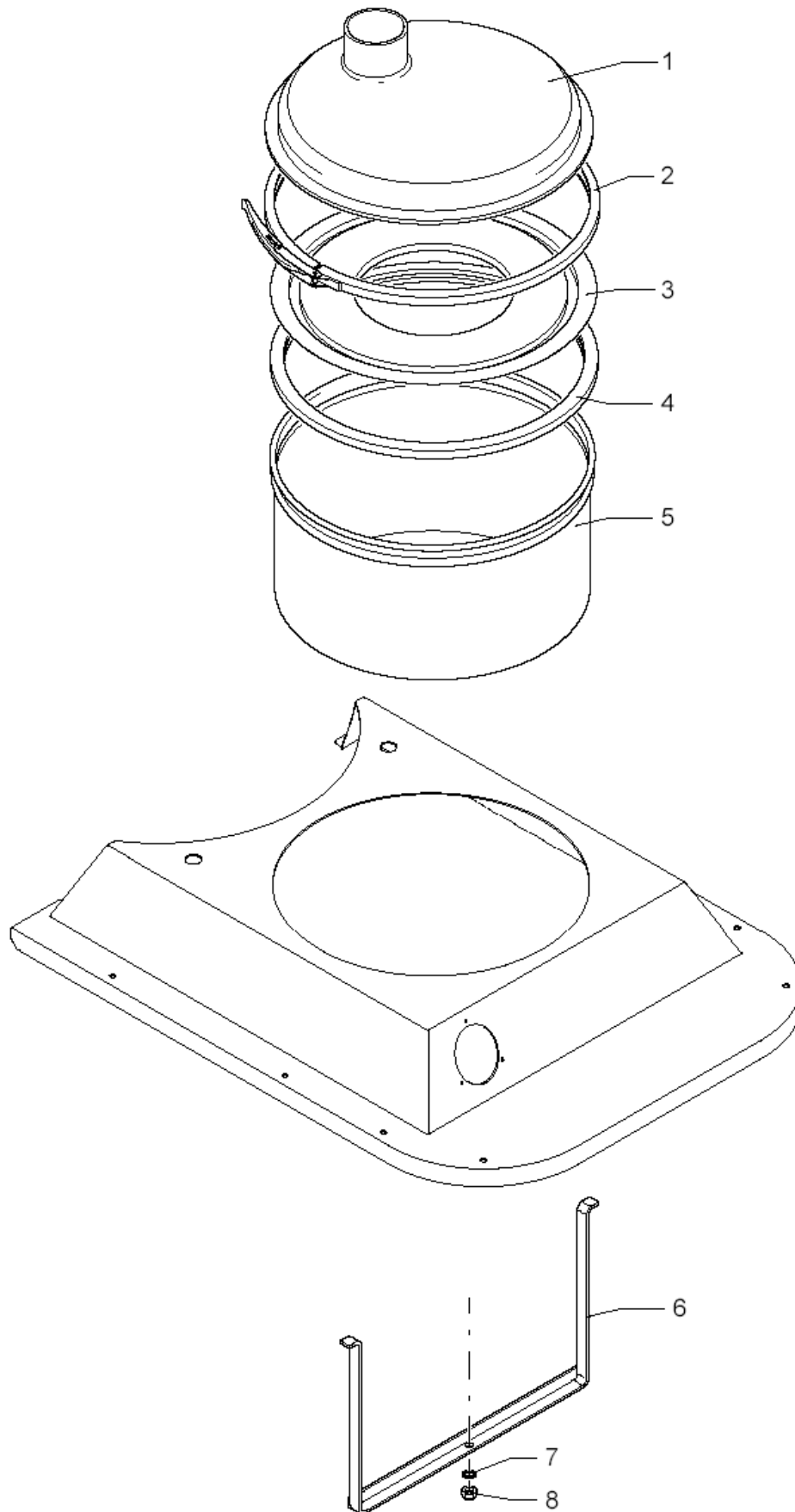
Safety / Absolute filter container

IV 022

21-04-2015

Part List ID
G20335

17



Safety / Absolute filter container

IV 022

21-04-2015

Part List ID

GZU335

18

| Pos | Part no. | Qty | Description |
|-----|----------|-----|---------------------------|
| 1 | 32400097 | 1 | CAP. FOR FILTER ABSOLUTE |
| 2 | 32400041 | 1 | CLAMPING BAND.D360 |
| 3 | 32400295 | 1 | RING.FOR FILTER |
| 4 | 32400337 | 1 | GASKET.FOR RING KIT D.360 |

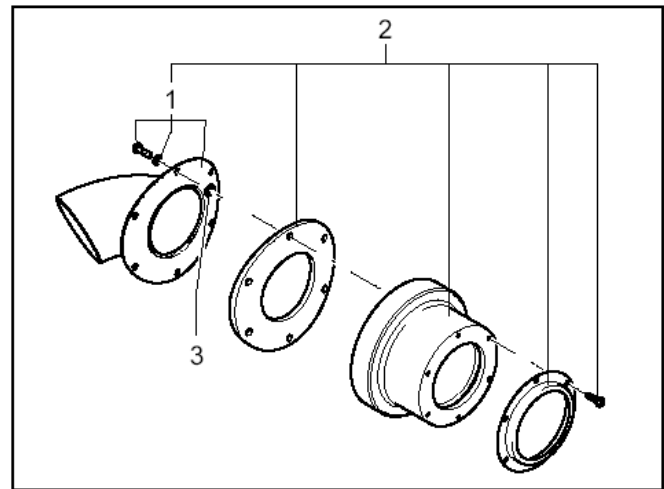
Containers

IV 022

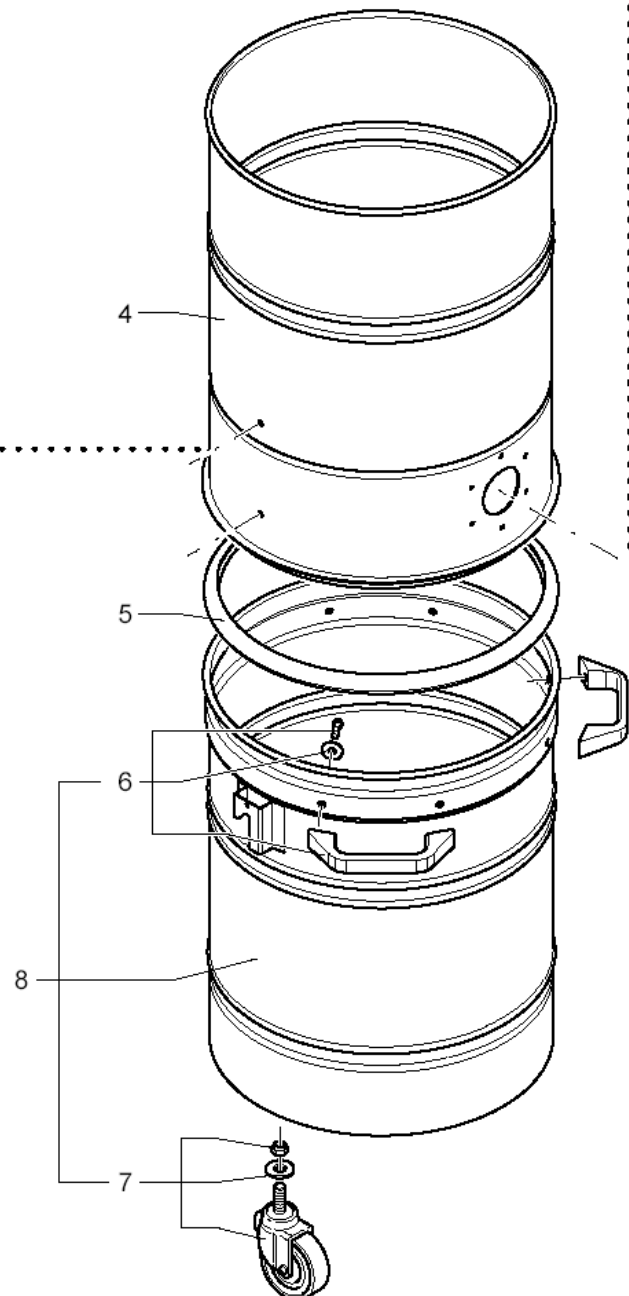
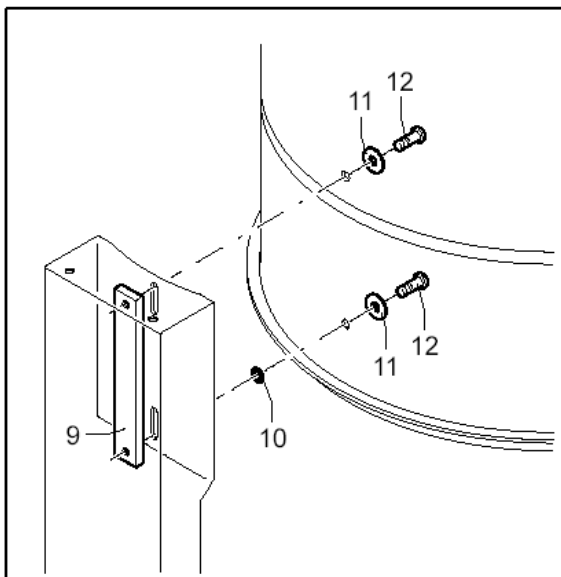
21-04-2015

Part List ID
G20337

19



13 A



Containers

IV 022

21-04-2015

Part List ID GZ0337

20

| Pos | Part no. | Qty | Description |
|-----|----------|-----|-------------------------------------|
| 1 | 32400340 | 1 | DEFLECTOR.KIT IV022/040/055/075/110 |
| 2 | 32400358 | 1 | INLET.KIT D70/50 MM IV022/040 |
| 4 | 32400353 | 1 | CHAMBER.FILTER KIT D.460 |
| 5 | 32400338 | 1 | GASKET.SHAPED KIT D.460 |
| 6 | 32400333 | 1 | HANDLE.KIT FOR CONTAINER |
| 7 | 32400332 | 1 | WHEELS.CONTAINER COMPLETE IV022/040 |
| 8 | 32400339 | 1 | CONTAINER.KIT IV022/040 |
| 13A | 32400788 | 1 | PLATE.FOR FIXING COMPL. IV022/040 |

Filters and Top container

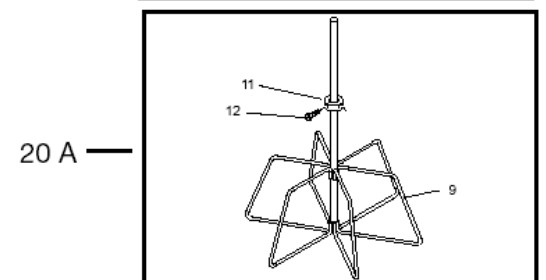
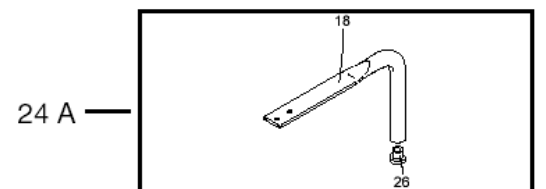
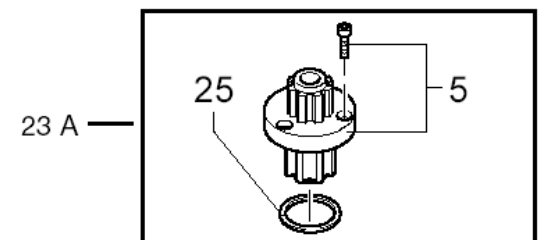
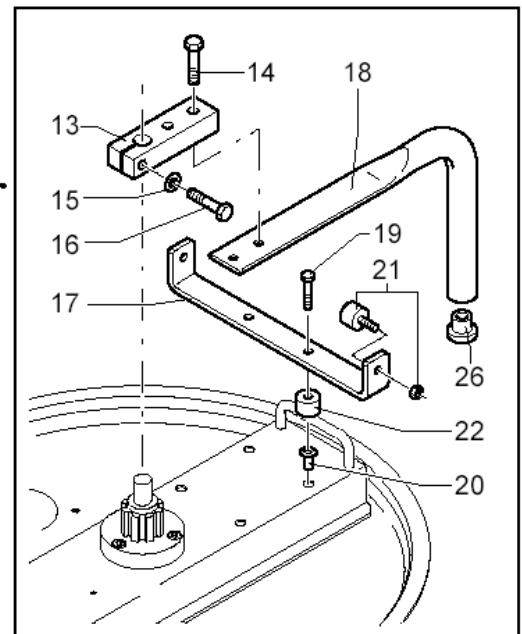
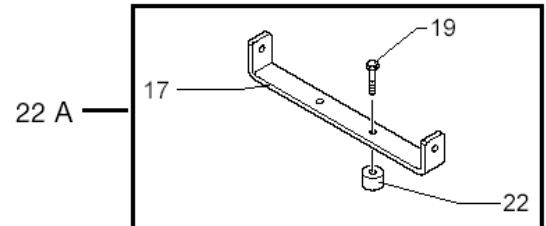
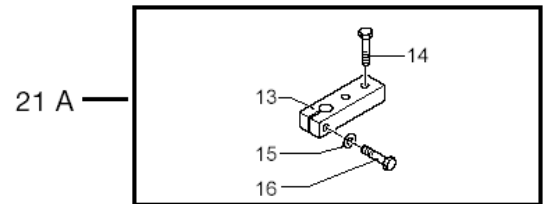
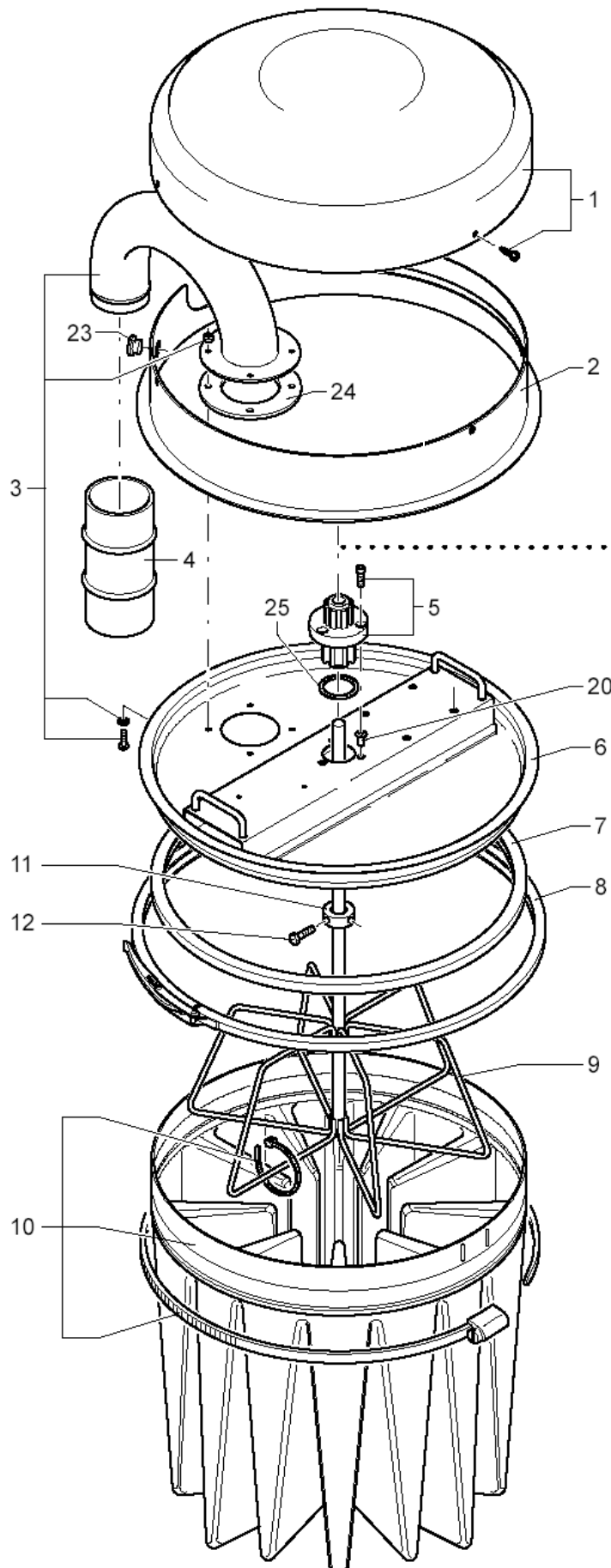
IV 022

21-04-2015

Part List ID

G20339

21



Filters and Top container

IV 022

21-04-2015

Part List ID
GZ0339

22

| Pos | Part no. | Qty | Description |
|-----|----------|-----|------------------------------------|
| 1 | 32400346 | 1 | CAP.KIT D.460 |
| 2 | 32400021 | 1 | COLLAR.FOR CHAMBER |
| 3 | 32400354 | 1 | COONECTION .PIPE KIT IV022/040 |
| 4 | 40000684 | 1 | SUCTION HOSE KIT MOD 3507 |
| 5 | 32400325 | 1 | BUSHING.FILTER SHAKER KIT |
| 6 | 32400073 | 1 | FILTER CARRIER.D.460 |
| 7 | 32400336 | 1 | GASKET.FOR RING KIT D.460 |
| 8 | 32400344 | 1 | CLAMPING BAND.KIT D.460 |
| 10 | 32400326 | 1 | FILTER.POLYESTER KIT |
| 10 | 32400327 | 1 | FILTER.PTFE D.460 KIT |
| 10 | 32400328 | 1 | FILTER.ANTISTATIC KIT |
| 10 | 32400329 | 1 | FILTER.ANTISTATIC + PTFE KIT |
| 10 | 32400330 | 1 | FILTER.NOMEX KIT |
| 10 | 32400331 | 1 | FILTER.CLASS M KIT D.460 IV022/040 |
| 20A | 32400783 | 1 | CAGE.FILTER KIT |
| 21A | 32400784 | 1 | LEVER.X MOVING KIT COMPL. |
| 22A | 32400785 | 1 | PLATE STOP. KIT COMPLETE IV022/040 |
| 23A | 32400786 | 1 | LEVER.FILTER SHAKER IV022/040 |
| 24A | 32400787 | 1 | BUSHING.FILTER SHAKER |

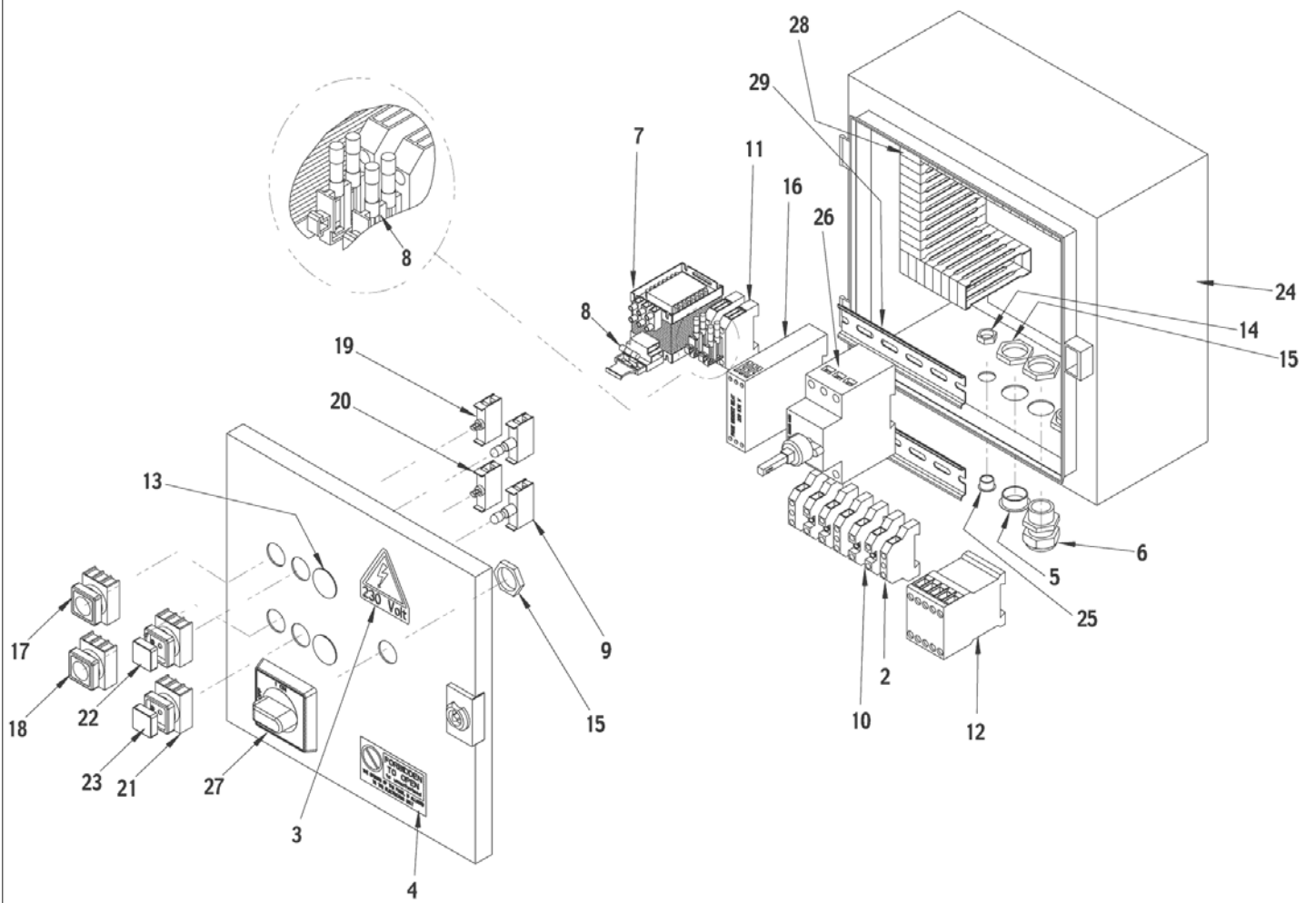
230V version - electric box

IV 022

21-04-2015

Part List ID
G203210

23



230V version - electric box

IV 022

21-04-2015

Part List ID
G2U3Z10

24

| Pos | Part no. | Qty | Description |
|-----|-----------|-----|--|
| 2 | Z8 39121 | 3 | TERMINAL EARTH 6MMQ S |
| 3 | 32401168 | 1 | DECAL. VOLTAGE PRESENCE DECAL. VOLTAGE |
| 4 | Z8 17689 | 1 | LABEL FORBIDDEN TO OPEN 82X42 |
| 6 | Z8 39055 | 2 | CABLE GLAND PG16 PA |
| 7 | Z8 391050 | 1 | TRANSFORMER 20VA 400-230/24V FUSE AT SEC |
| 8 | 32401192 | 5 | GLASS FUSE 5X20 1A DELAY GLASS FUSE 5X20 |
| 9 | Z8 39114 | 2 | LAMP BA9 V24 |
| 10 | Z8 39120 | 4 | TERMINAL LINE 6MMQ S |
| 11 | Z8 39244 | 2 | TERMINAL FUSEHOLDER 1.5mmq S 5X20 |
| 12 | Z8 39281 | 1 | CONTACTOR KW4 24VAC 1NO SIRIUS S00 |
| 13 | Z8 39522 | 2 | PLUG BLIND CONTROL PLATE D22 |
| 14 | Z8 39565 | 1 | METAL RING NUT PG7 |
| 15 | Z8 39568 | 4 | METAL RING NUT PG16 |
| 16 | Z8 391120 | 1 | RELAY PHASE SEQUENCE 180-600V |
| 17 | 32401221 | 1 | PULSE. START PULSE. START |
| 18 | 32401222 | 1 | PULSE. STOP PULSE. STOP |
| 19 | 32401224 | 1 | CONTACT |
| 20 | 32401225 | 1 | CONTACT. NC CONTACT. NC |
| 21 | 32401226 | 2 | LAMP HOLDER P.C. LAMP HOLDER P.C. |
| 22 | 32401227 | 1 | LAMP. WHITE V24 P.C. LAMP. WHITE V24 |
| 23 | 32401228 | 1 | LAMP. YELLOW V24 P.C. LAMP. YELLOW V24 |
| 24 | 32401229 | 1 | STEEL BOX 300X300X160 + STEEL BOX |
| 25 | Z8 39745 | 1 | PLUG BLIND PG7 PVC |
| 26 | Z8 39916 | 1 | CIRCUIT BREAKER 9-12.5 A SIRIUS S0 |
| 27 | Z8 39924 | 1 | HANDLING TO SIRIUS S0 CIRCUIT BREAKER |
| 28 | 32401241 | 1 | RACEWAY 25x80 RACEWAY 25x80 |
| 29 | 32401243 | 2 | GUIDE. OMEGA GUIDE. OMEGA |

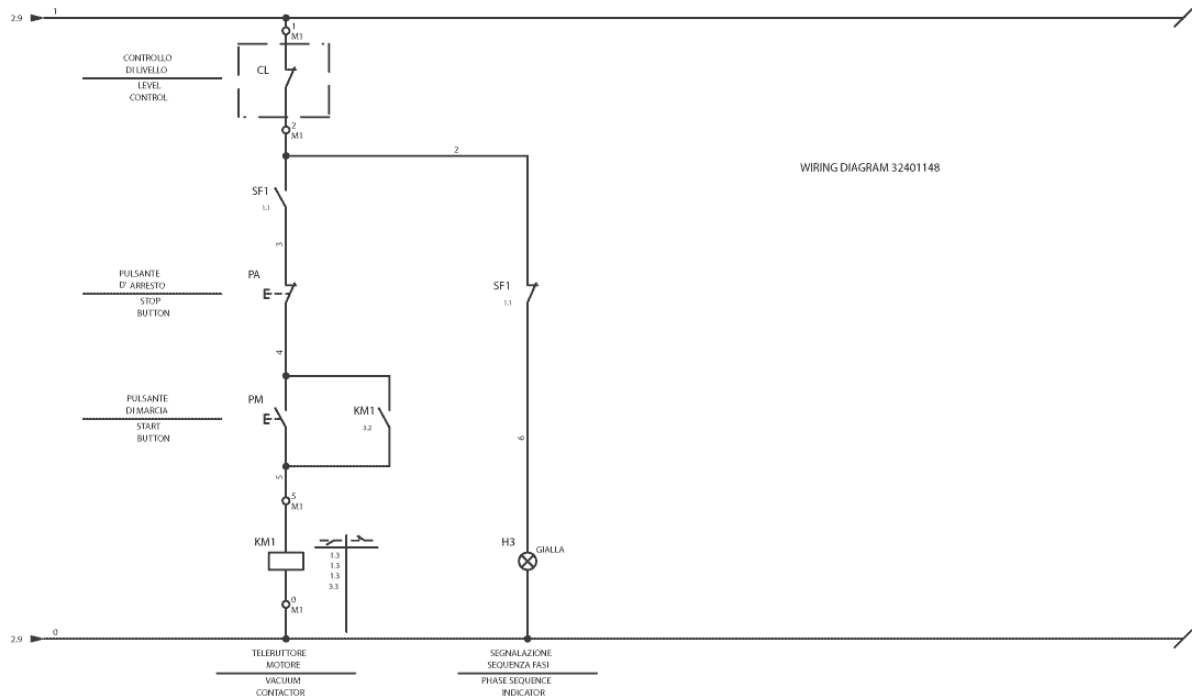
230V version - wiring diagram 1

IV 022

21-04-2015

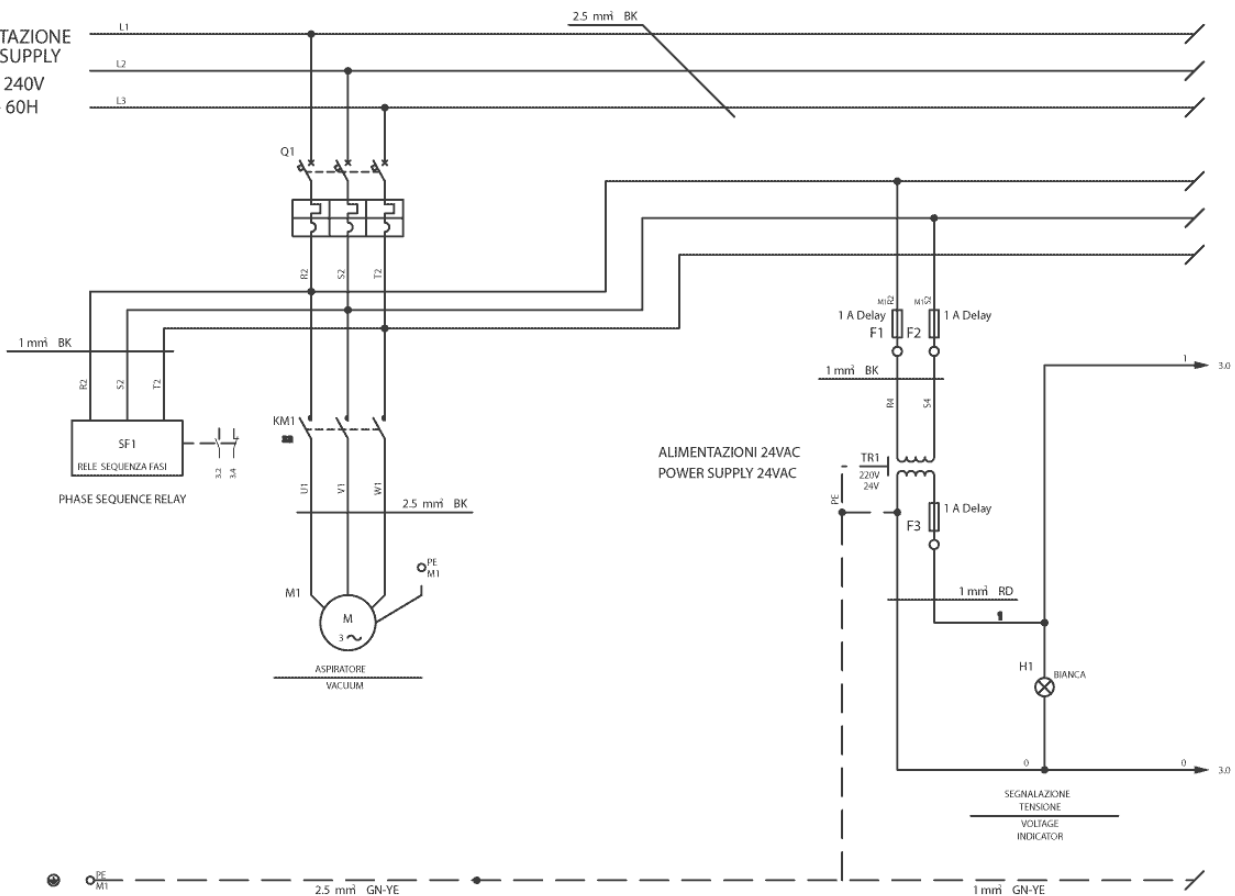
Part List ID
G203211

25



DOVE NON E SPECIFICATO CABLARE CON FILO ROSSO 1mmq

ALIMENTAZIONE
POWER SUPPLY
220V - 240V
50H - 60H



230V version - wiring diagram 1

IV 022

21-04-2015

Part List ID
G2U3Z11

26

230V version - wiring diagram 2

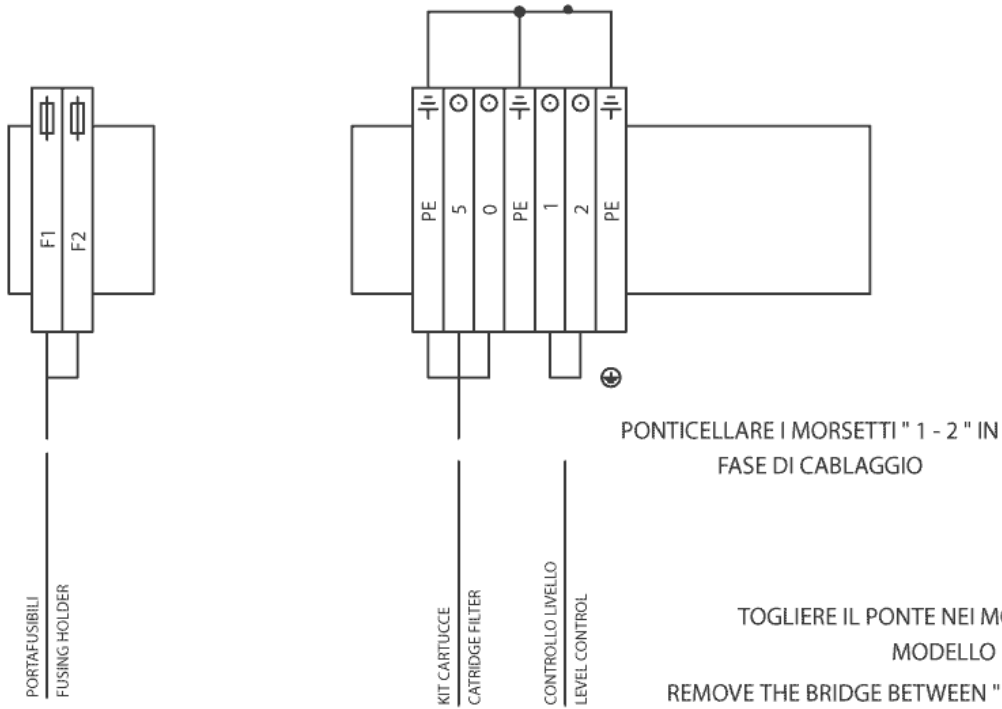
IV 022

21-04-2015

Part List ID
G203212

27

WIRING DIAGRAM 32401148



| Nome/Item | De crizione/Description | Descrizione/Description |
|-----------|---------------------------------|-------------------------------|
| H1 | SPIA BIANCA V24 CEMA | WHITE LAMP V24 |
| H3 | SPIA GIALLA V24 CEMA | YELLOW LAMP V24 |
| KM1 | TELERUTTORE HP 5,5 24VAC 1NO | CONTACTOR HP 5,5 24VAC 1NO |
| PA | PULSANTE ROSSO CEMA | RED BUTTON |
| PM | PULSANTE VERDE CEMA | GREEN BUTTON |
| Q1 | SALVAMOTORE 9 - 12,5 A | AUTOMATIC BREAKER 9-12,5 A |
| | SALVAMOTORE 14-20 A | AUTOMATIC BREAKER 14-20 A |
| SF1 | RELE' SEQUENZA FASI 208-575V | PHASE SEQUENCE RELAY 208-575V |
| TR1 | TRASFORMATORE 20VA 400/24V | TRANSFORMER 20VA 400/24V |
| M1 | MORSETTO TERRA 6mmq 5 | GROUND TERMINAL 6mmq 5 |
| | MORSETTO PORTAFUSIBILE 1,5mmq 5 | FUSE HOLDER TERMINAL 1,5mmq 5 |
| | MORSETTO LINEA 6mmq 5 | LINE TERMINAL 6mmq 5 |

230V version - wiring diagram 2

IV 022

21-04-2015

Part List ID G2U3Z12

28

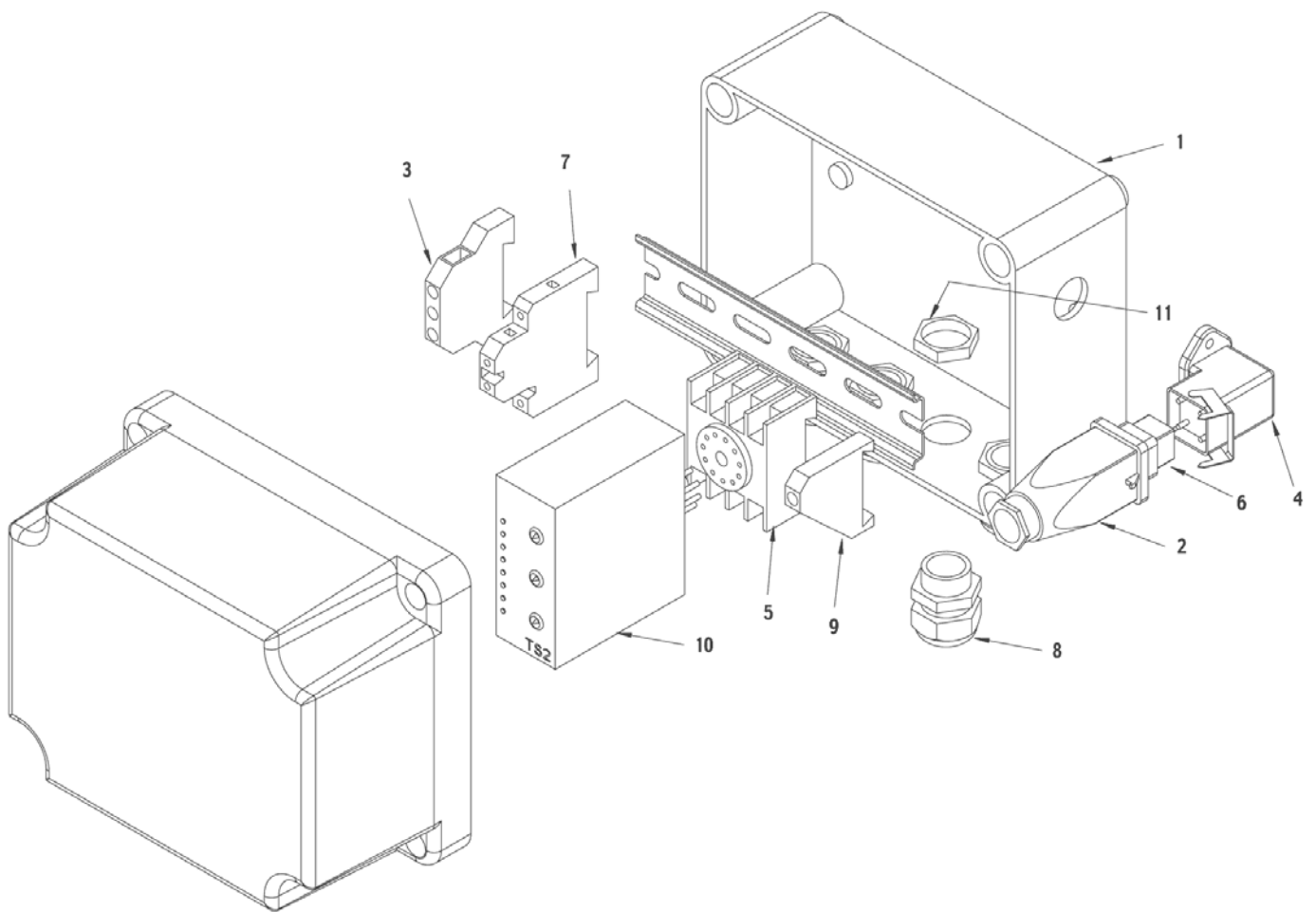
Cartidge - electric box

IV 022

21-04-2015

Part List ID
G203226

29



Cartidge - electric box

IV 022

21-04-2015

Part List ID

G2U3Z26

30

| Pos | Part no. | Qty | Description |
|-----|-----------|-----|--|
| 1 | Z8 41039 | 1 | E.B. KIT CART. D3-460 24VAC IP55 |
| 2 | Z8 39098 | 1 | INT.REG.SUPPORT |
| 3 | Z8 39121 | 1 | TERMINAL EARTH 6MMQ S |
| 4 | Z8 39186 | 1 | FIX CASE x 3-4P+E GW BENT 90 PLASTIC IP6 |
| 5 | Z8 39237 | 1 | BASE x TIMER 11 PIN PF |
| 6 | Z8 39345 | 1 | OUTLET INSERT 3P+E GW PLASTIC |
| 7 | Z8 39554 | 1 | TERMINAL DOUBLE CONTACT 4MMQ DK4QV/35 |
| 8 | Z8 39208 | 4 | CABLE GLAND PG11 PA |
| 9 | Z8 39296 | 1 | TERMINAL STOP x GUIDE 35mm S |
| 10 | Z8 391107 | 1 | CYCLIC TIMER 24VAC 4OUT |
| 11 | Z8 39567 | 4 | METAL RING NUT PG11 |

Cartiridge - wiring diagram

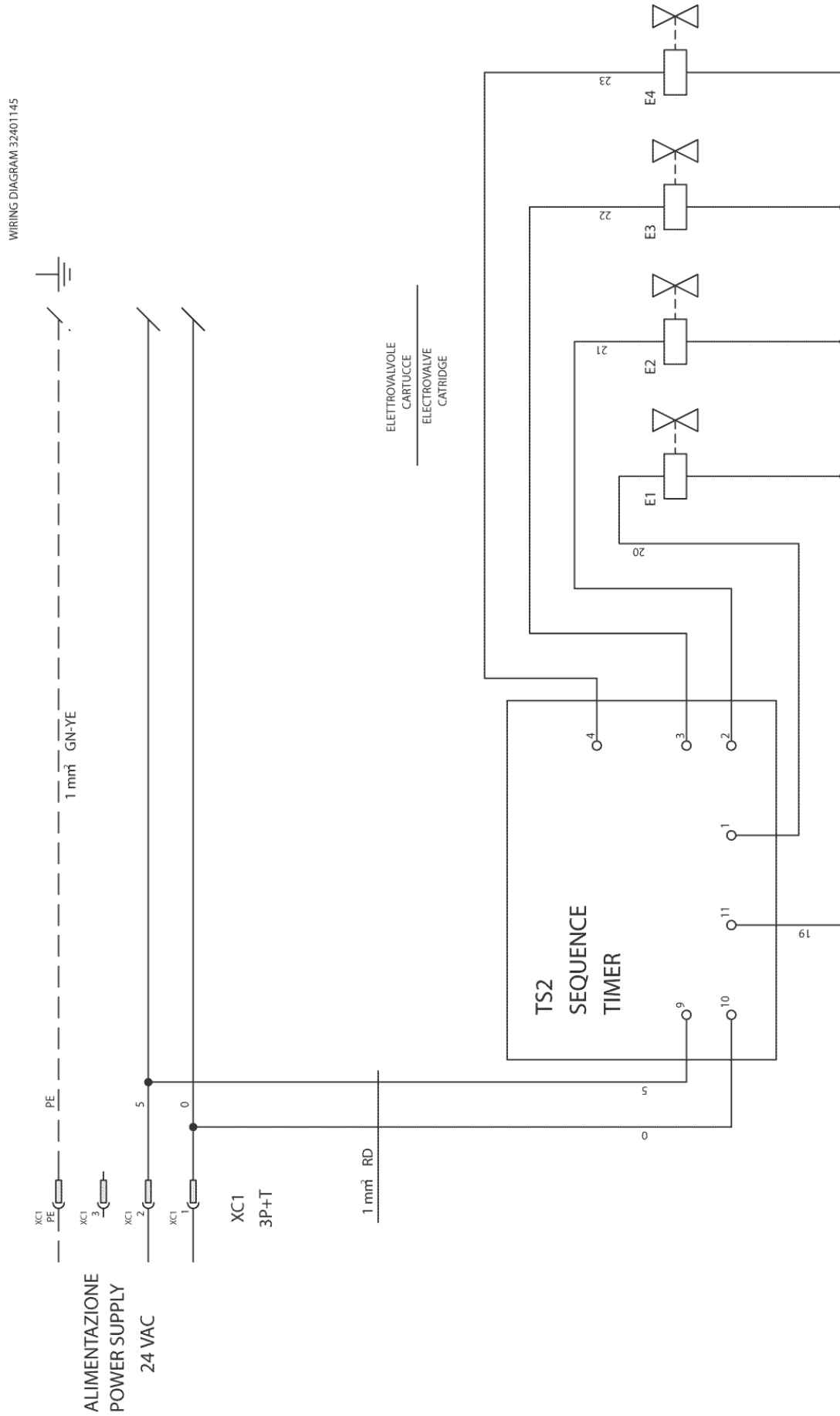
IV 022

21-04-2015

Part List ID

G203227

31



Cartidge - wiring diagram

IV 022

21-04-2015

Part List ID
G203227

32

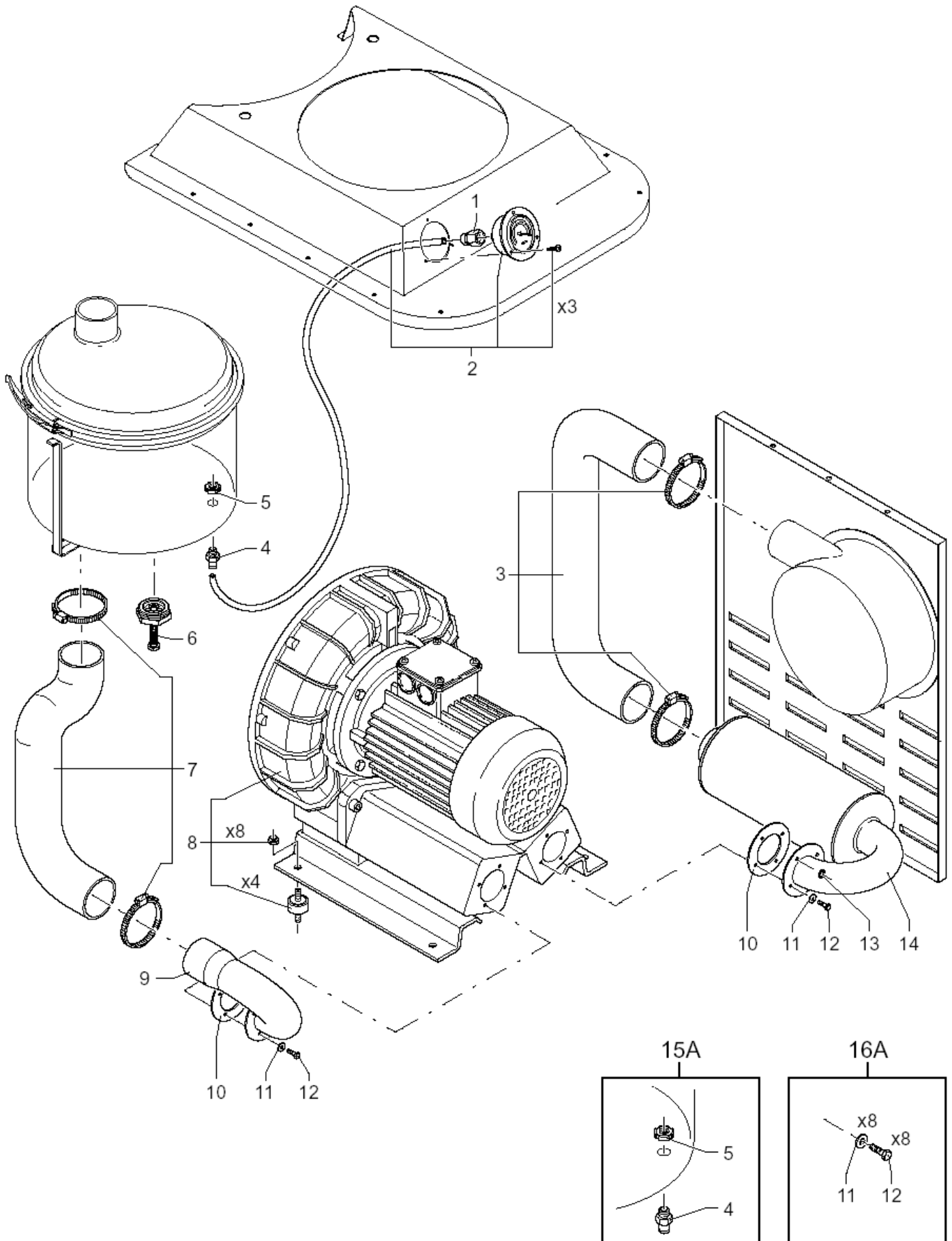
Vacuum Pump system

IV 022

21-04-2015

Part List ID
G203311

33



Vacuum Pump system

IV 022

21-04-2015

Part List ID
G2U3311

34

| Pos | Part no. | Qty | Description |
|-----|----------|-----|----------------------------------|
| 1 | Z8 40196 | 1 | CONNECTION STRAIGHT 1/4F D6 |
| 2 | 32400334 | 1 | VACUUM GAUGE.KIT IV022 IV150 |
| 3 | 32400343 | 1 | HOSE.BLOWING KIT |
| 6 | 32400363 | 1 | VALVE.SAFTY COMPLETE IV022 |
| 7 | 32400342 | 1 | HOSE.FOR SUCTION KIT IV022/040 |
| 8 | 32400321 | 1 | PUMP.KIT 4 KW |
| 8 | 32400322 | 1 | PUMP.KIT 2.2 KW |
| 9 | 32400001 | 1 | PIPE FITTING.FOR SUCTION |
| 10 | Z8 17542 | 2 | JOINT FOR MOTOR SAP 300-380 |
| 14 | 32400004 | 1 | SILENCER.D.120 FULL+BENT |
| 14 | 32400241 | 1 | SILENCER D.150 FULL+BENT |
| 15A | 32400789 | 1 | ELBOW.1/8 D.6 COMPLETE |
| 16A | 32400790 | 1 | SCREW M5X15 WITH WASHER SILENCER |

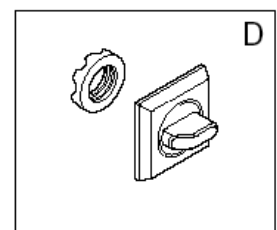
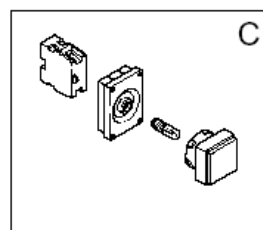
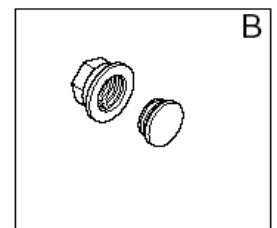
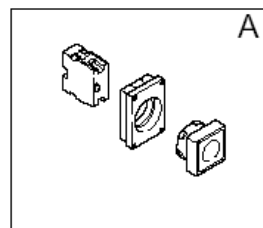
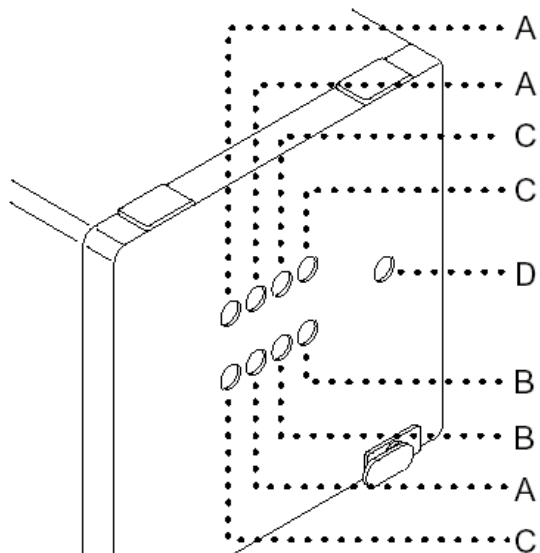
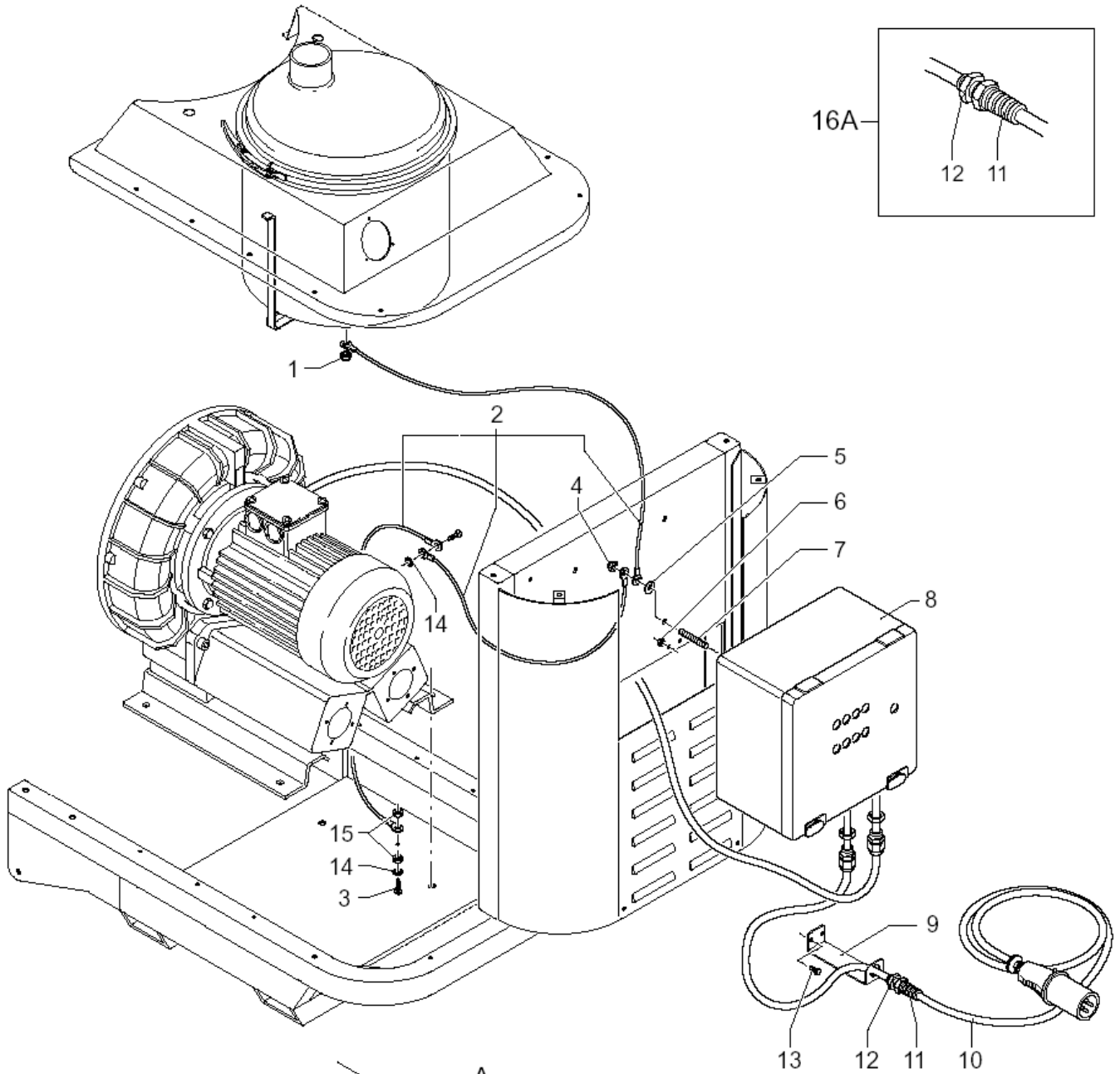
Standard Electrical components

IV 022

21-04-2015

Part List ID
G203313

35



Standard Electrical components

IV 022

21-04-2015

Part List ID
GZU3313

36

| Pos | Part no. | Qty | Description | |
|-----|----------|-----|------------------------------------|--------|
| 2 | 32400044 | 1 | CABLES.GROUND KIT | |
| 7 | 32400282 | 4 | SCREW GRUB M8X60 CUP POINT ISO4029 | |
| 8 | 32400034 | 1 | PANEL.ELECTRONIC | IV 040 |
| 8 | 32400121 | 1 | PANEL.ELECTRONIC | IV 022 |
| 9 | 32400016 | 1 | SUPPORT. FOR CABLE GLAND | |
| 10 | 32400362 | 1 | CABLE.POWER SUPPLY KIT PLUG 16A | |
| 16A | 32400791 | 1 | CABLE GLAND.COMPLETE | |

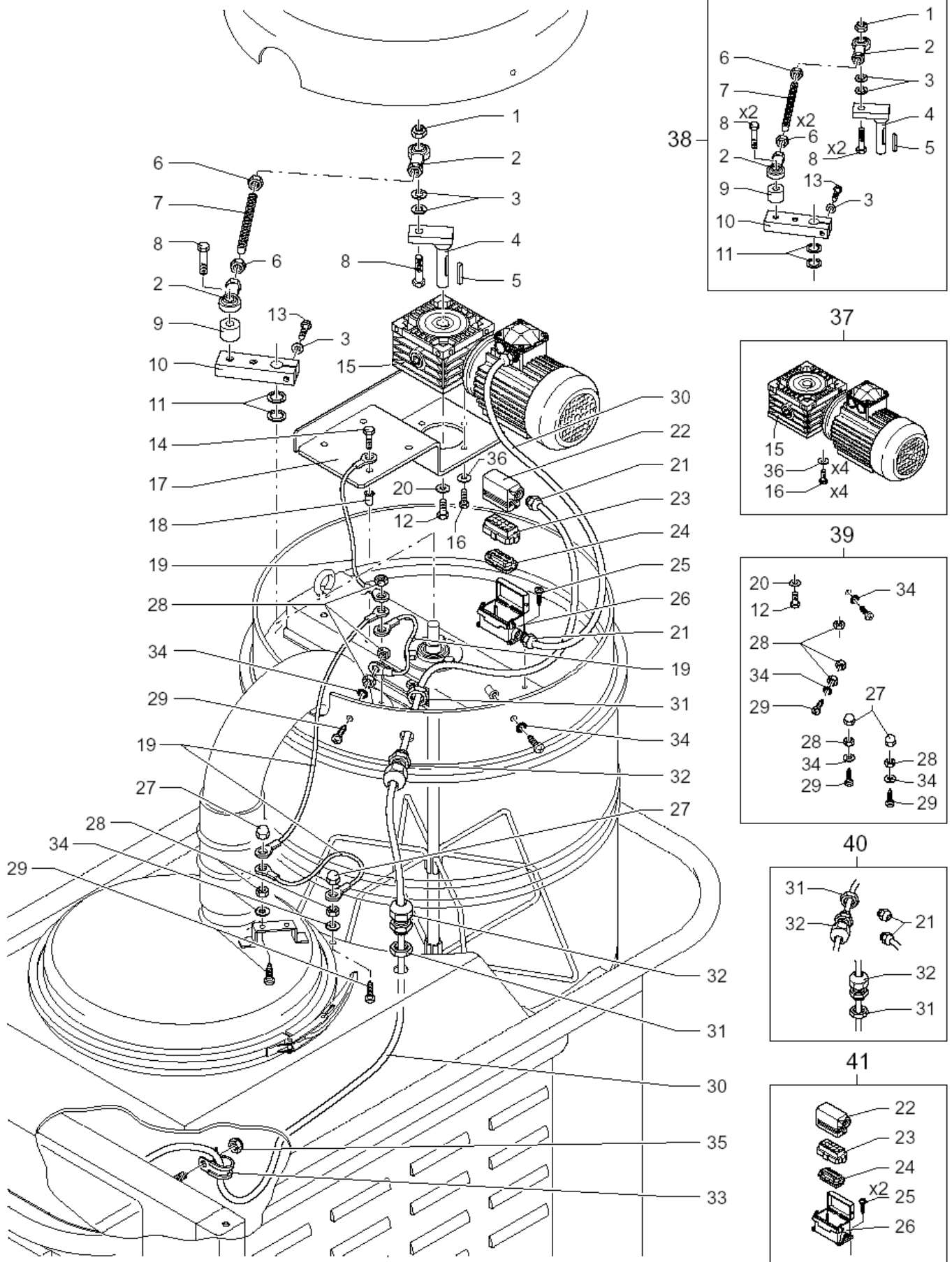
Electrical filter shaker

IV 022

21-04-2015

Part List ID
G203315

37



Electrical filter shaker

IV 022

21-04-2015

Part List ID
GZU3315

38

| Pos | Part no. | Qty | Description |
|-----|----------|-----|-------------------------------------|
| 17 | Z8 16274 | 1 | PLATE REDUCER ELECT.SHAKER 3308 |
| 19 | 32400246 | 1 | CABLES.GROUND KIT |
| 31 | Z8 39035 | 2 | CABLE 4G1.5 FROR AL M |
| 34 | Z8 39981 | 1 | FAIRLEAD RUBBERISED D16 |
| 36A | 32400792 | 1 | GEARMOTOR. COMPLETE KIT |
| 37A | 32400793 | 1 | SHAKER ASSEMBLY .COMPLETE IV022/040 |
| 38A | 32400794 | 1 | CONNECTOR.ELETTR.KIT |
| 39A | 32400795 | 1 | SCREWS.SET FOR FILTER SHAKER |
| 40A | 32400796 | 1 | CABLE GLANDS.KITIV022/040 |

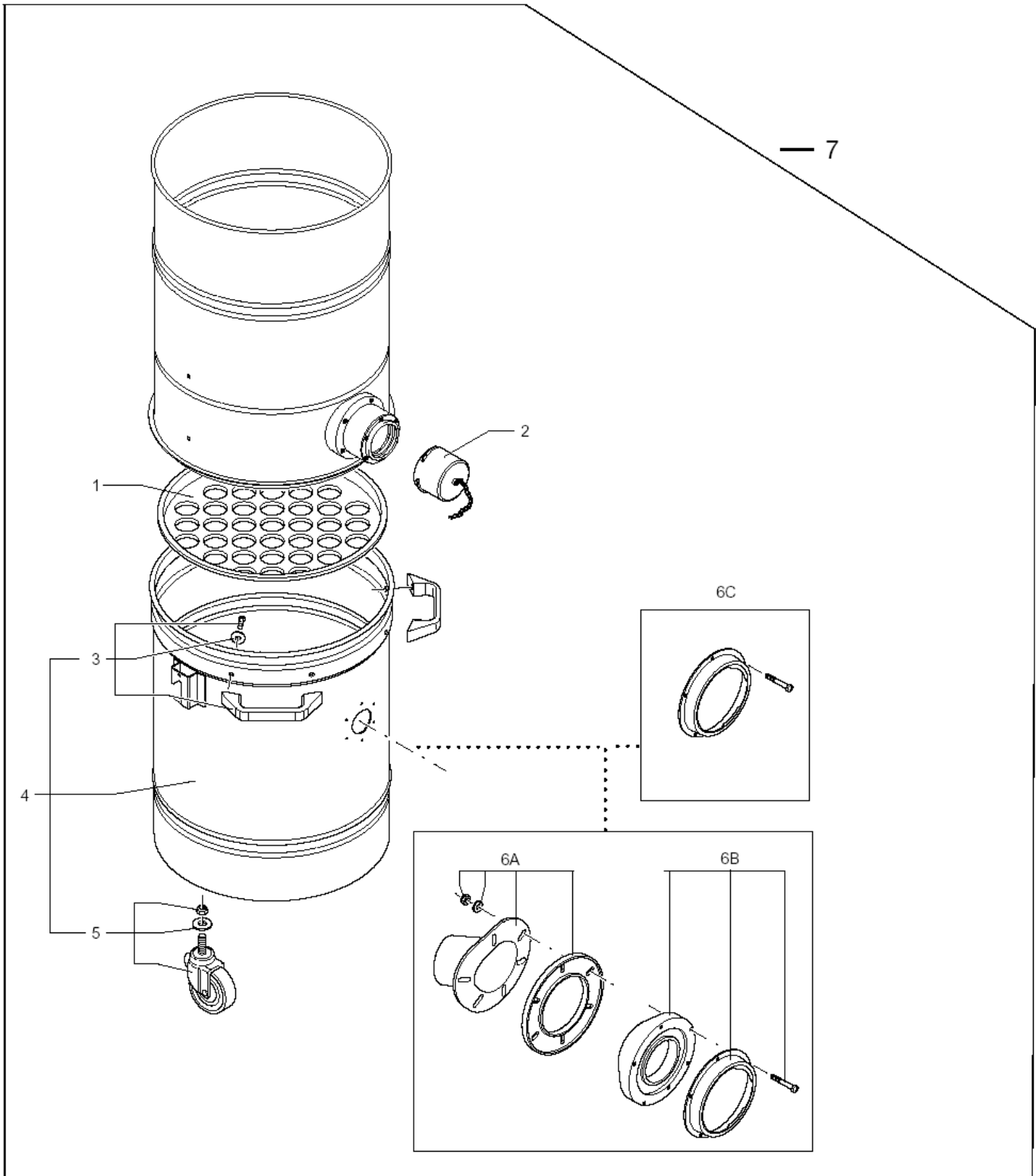
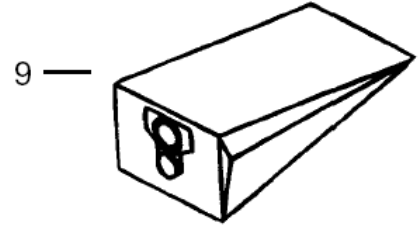
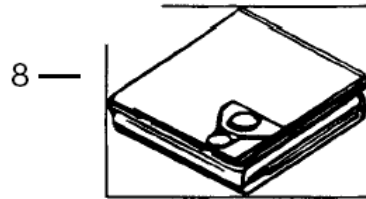
Dust bag system

IV 022

21-04-2015

Part List ID G203317

39



Dust bag system

IV 022

21-04-2015

Part List ID

G2U3317

40

| Pos | Part no. | Qty | Description |
|-----|-----------|-----|-------------------------------------|
| 1 | 32400269 | 1 | GRILL.UPPER |
| 2 | L04003200 | 1 | BLIND SHUTTER Ø 50 MM |
| 3 | 32400333 | 1 | HANDLE.KIT FOR CONTAINER |
| 5 | 32400332 | 1 | WHEELS.CONTAINER COMPLETE IV022/040 |
| 7 | 32400150 | 1 | BAG.CONNECTOR KIT STEEL |
| 8 | 81584000 | 1 | 5PCS PAPER BAGS GS82 |
| 9 | 81584000 | 1 | 5PCS PAPER BAGS GS82 |
| 6A | 21582901 | 1 | INLET FOR DUST BAG |
| 6B | 32211201 | 1 | BAYONET COUPLING 50 MM FOR DUST |
| 6C | 22386500 | 1 | BAYONET RING FOR INLET 50MM |

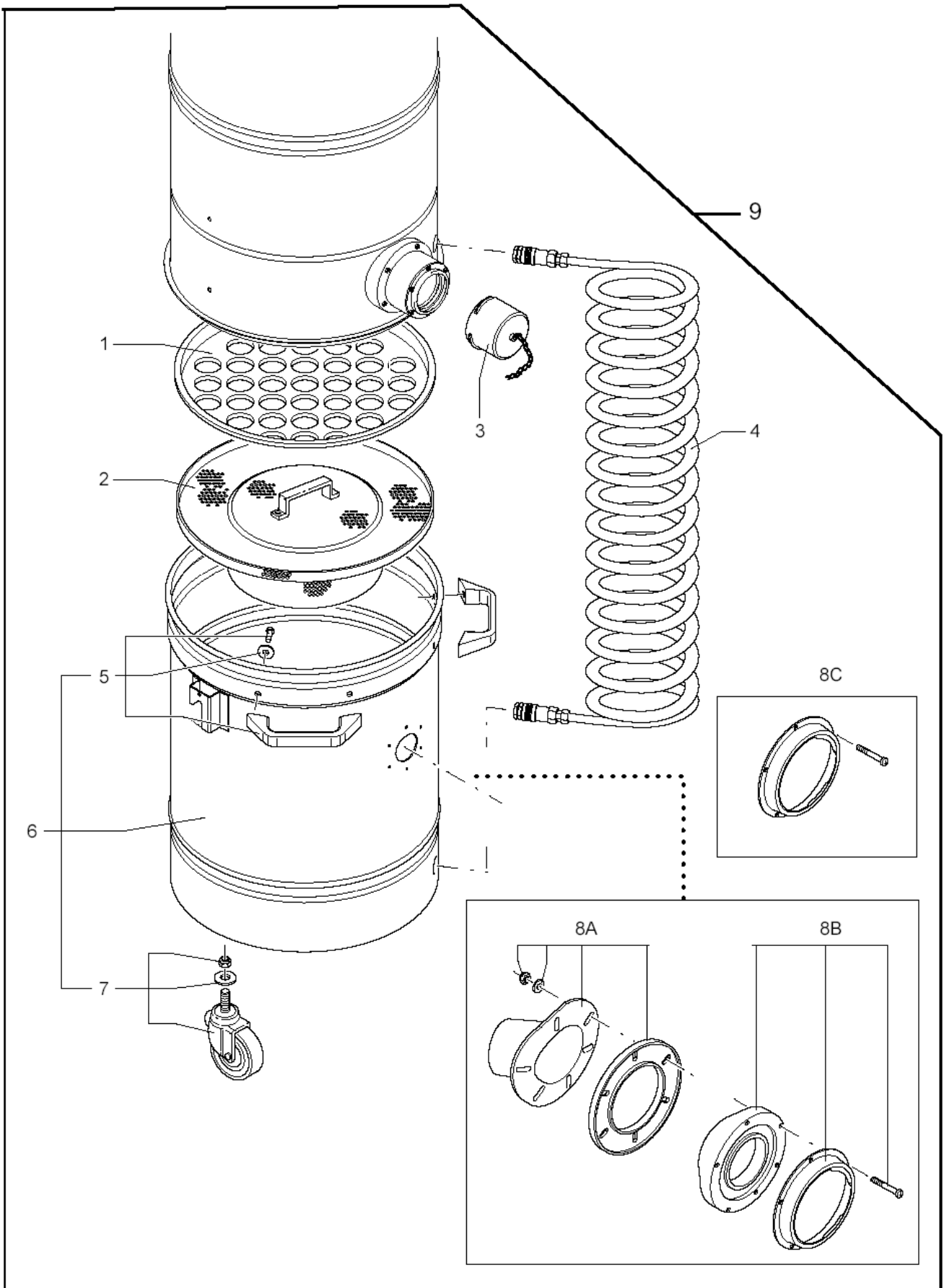
Safe bag system

IV 022

21-04-2015

Part List ID
G203319

41



Safe bag system

IV 022

21-04-2015

Part List ID

GZU3319

42

| Pos | Part no. | Qty | Description |
|-----|-----------|-----|-------------------------------------|
| 1 | 32400269 | 1 | GRILL.UPPER |
| 2 | Z8 31221 | 1 | CONTAINER GRID D460 ZINC |
| 3 | L04003200 | 1 | BLIND SHUTTER Ø 50 MM |
| 4 | Z5 60133 | 1 | DEPRESSOR COMPLETE M.317 |
| 5 | 32400333 | 1 | HANDLE.KIT FOR CONTAINER |
| 7 | 32400332 | 1 | WHEELS.CONTAINER COMPLETE IV022/040 |
| 9 | 32400151 | 1 | BAG.SAFE SYSTEM KIT |
| 10 | L03034000 | 1 | DUST SAFE BAG SYSTEM 1PC |
| 8A | 21582901 | 1 | INLET FOR DUST BAG |
| 8B | 32211201 | 1 | BAYONET COUPLING 50 MM FOR DUST |
| 8C | 22386500 | 1 | BAYONET RING FOR INLET 50MM |

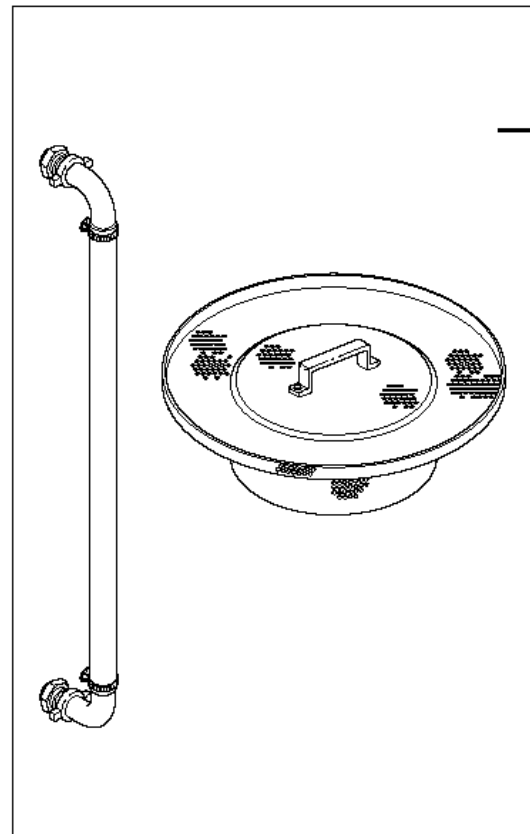
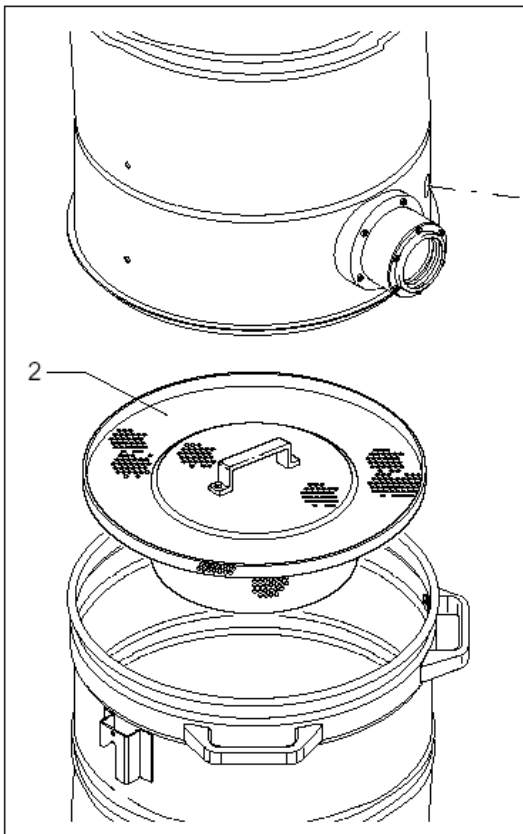
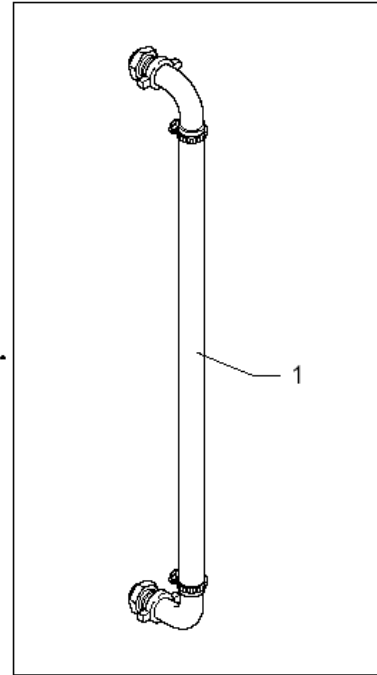
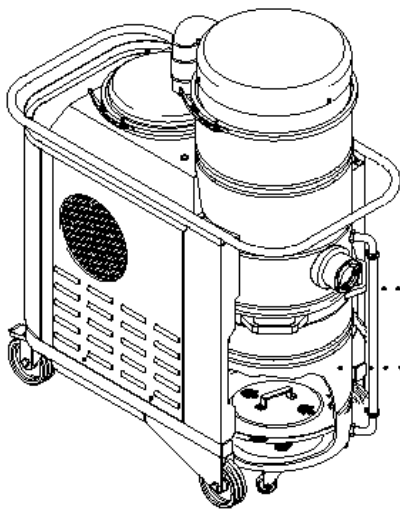
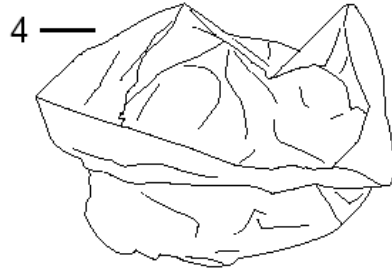
Plastic bag system

IV 022

21-04-2015

Part List ID
G203321

43



Plastic bag system

IV 022

21-04-2015

Part List ID

G2U3321

44

| Pos | Part no. | Qty | Description |
|-----|----------|-----|------------------------------|
| 1 | Z5 60225 | 1 | TUBE DEPRESSOR D.19 MOD.3308 |
| 2 | Z8 31221 | 1 | CONTAINER GRID D460 ZINC |
| 3 | 32400152 | 1 | BAG.PLASTIC KIT |
| 4 | 82366400 | 1 | PLASTIC BAGS KLAR 5PCS |
| 4 | 82366500 | 1 | PLASTIC BAGS BLUE 5PCS |
| 4 | 82366600 | 1 | PLASTIC BAGS RED 5PCS |

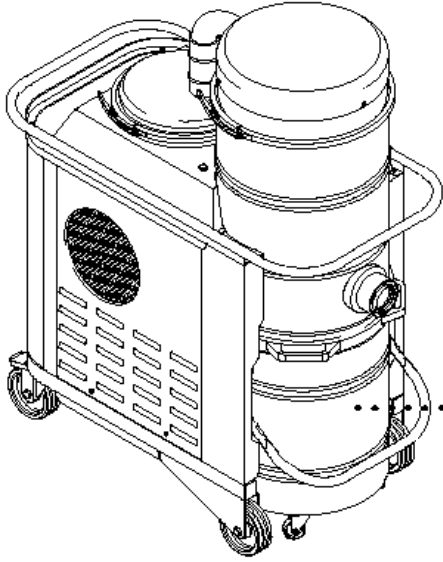
S.S. Container

IV 022

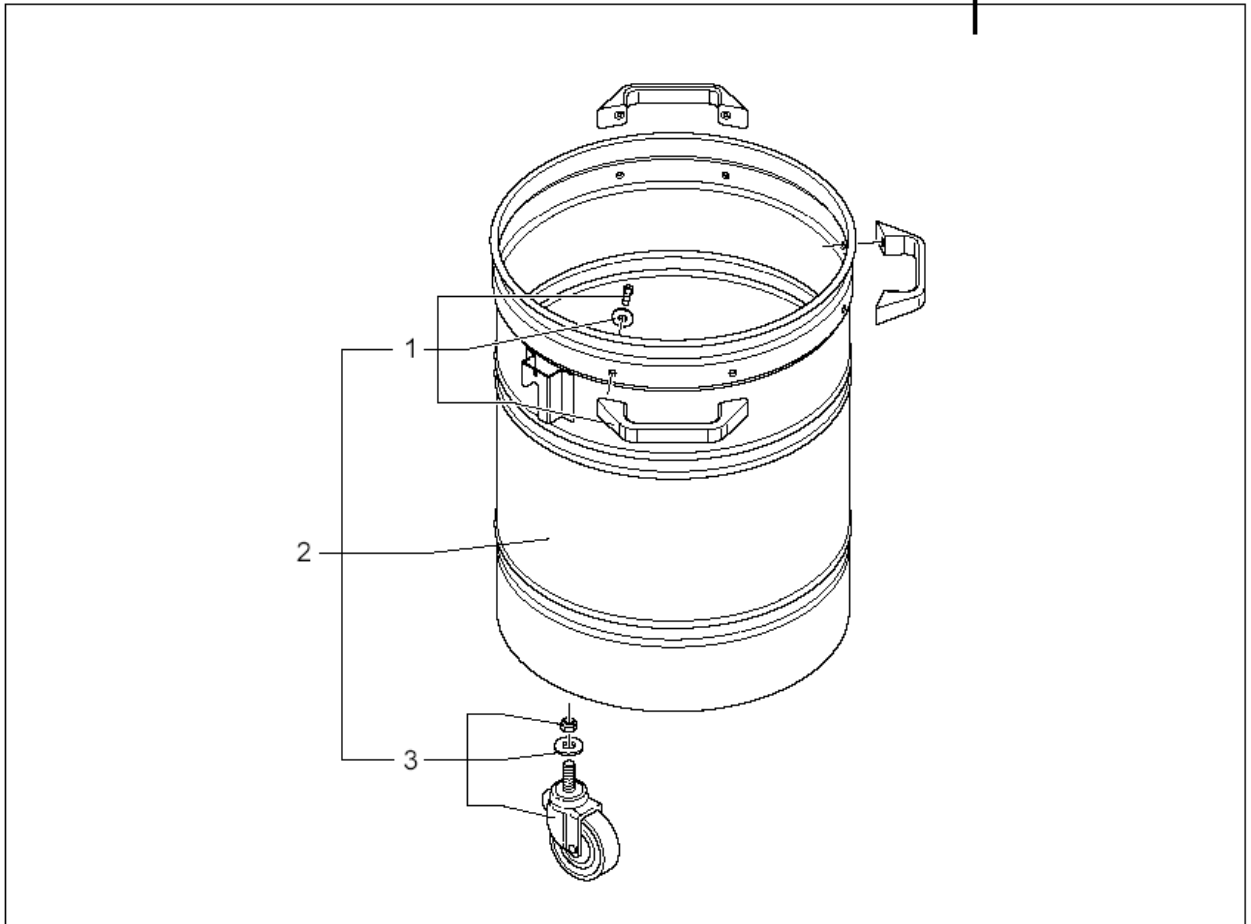
21-04-2015

Part List ID
G203323

45



4



S.S. Container

IV 022

21-04-2015

Part List ID
G2U3323

46

| Pos | Part no. | Qty | Description |
|-----|----------|-----|-------------------------------------|
| 1 | 32400333 | 3 | HANDLE.KIT FOR CONTAINER |
| 3 | 32400332 | 4 | WHEELS.CONTAINER COMPLETE IV022/040 |
| 4 | 32400153 | 1 | CONTAINER.INOX KIT |

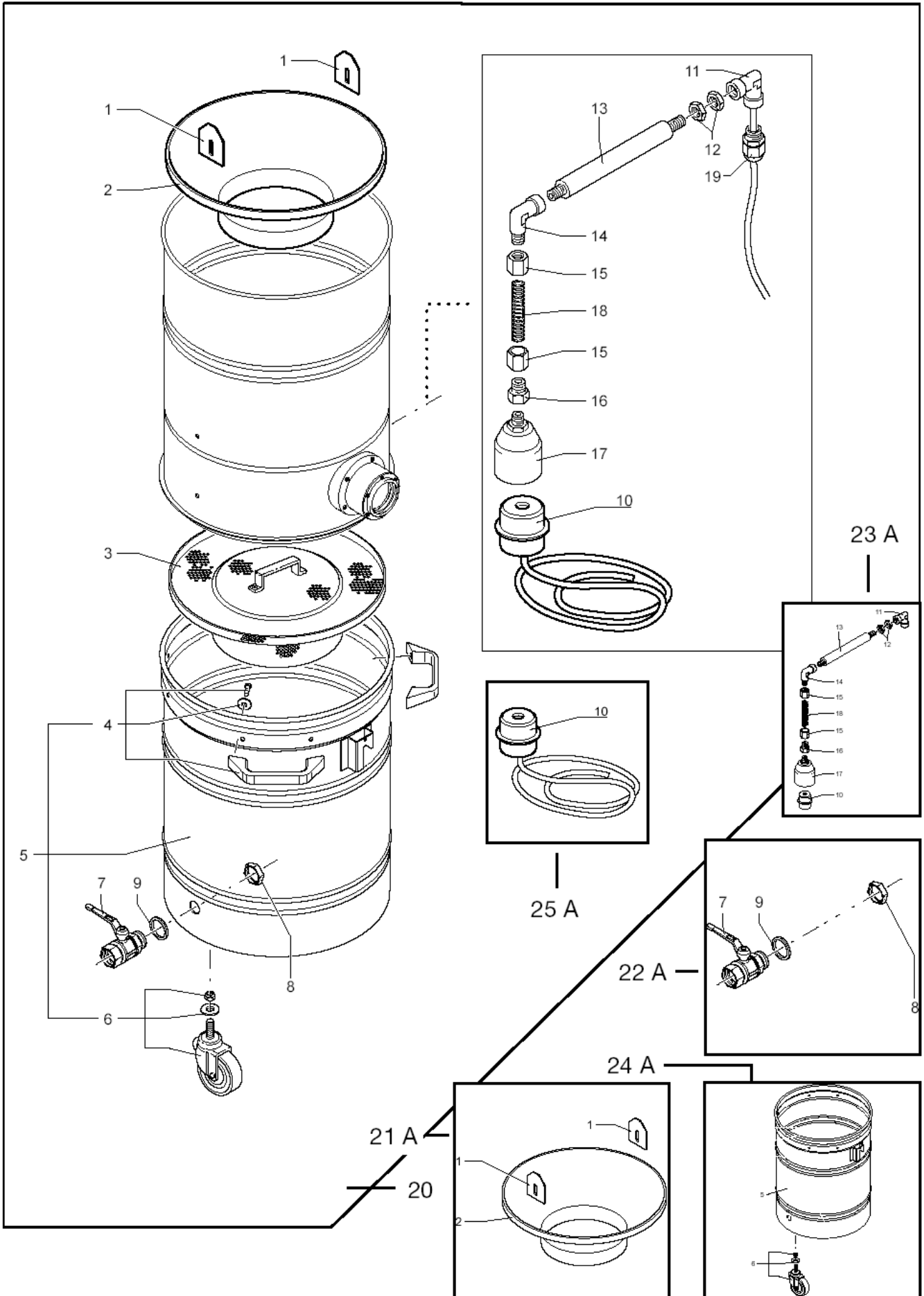
Liquid system

IV 022

21-04-2015

Part List ID
G203325

47



Liquid system

IV 022

21-04-2015

Part List ID

G2U3325

48

| Pos | Part no. | Qty | Description |
|-----|----------|-----|-------------------------------------|
| 3 | Z8 31250 | 1 | CONTAINER GRID D460 INOX |
| 4 | 32400333 | 3 | HANDLE.KIT FOR CONTAINER |
| 17 | Z8 12286 | 1 | CAP PROTECTION PROBE |
| 18 | Z8 14296 | 1 | SPRING X LEVEL CHECK |
| 19 | Z8 39819 | 1 | CABLE GLAND PG7 PA |
| 20 | 32400154 | 1 | LIQUID.KIT |
| 21A | 32400797 | 1 | SEPARATOR.X LIQUID COMPL. IV022/040 |
| 22A | 32400798 | 1 | TAP.COMPLETE IV022/040 |
| 23A | 32400799 | 1 | SENSOR.X LIQUID KIT COMPL IV022/040 |
| 24A | 32400339 | 1 | CONTAINER.KIT IV022/040 |
| 25A | Z8 39545 | 1 | SENS.MAGN.LIQ. D28 FLOATER NO-NC |

Cartridge Cpl.

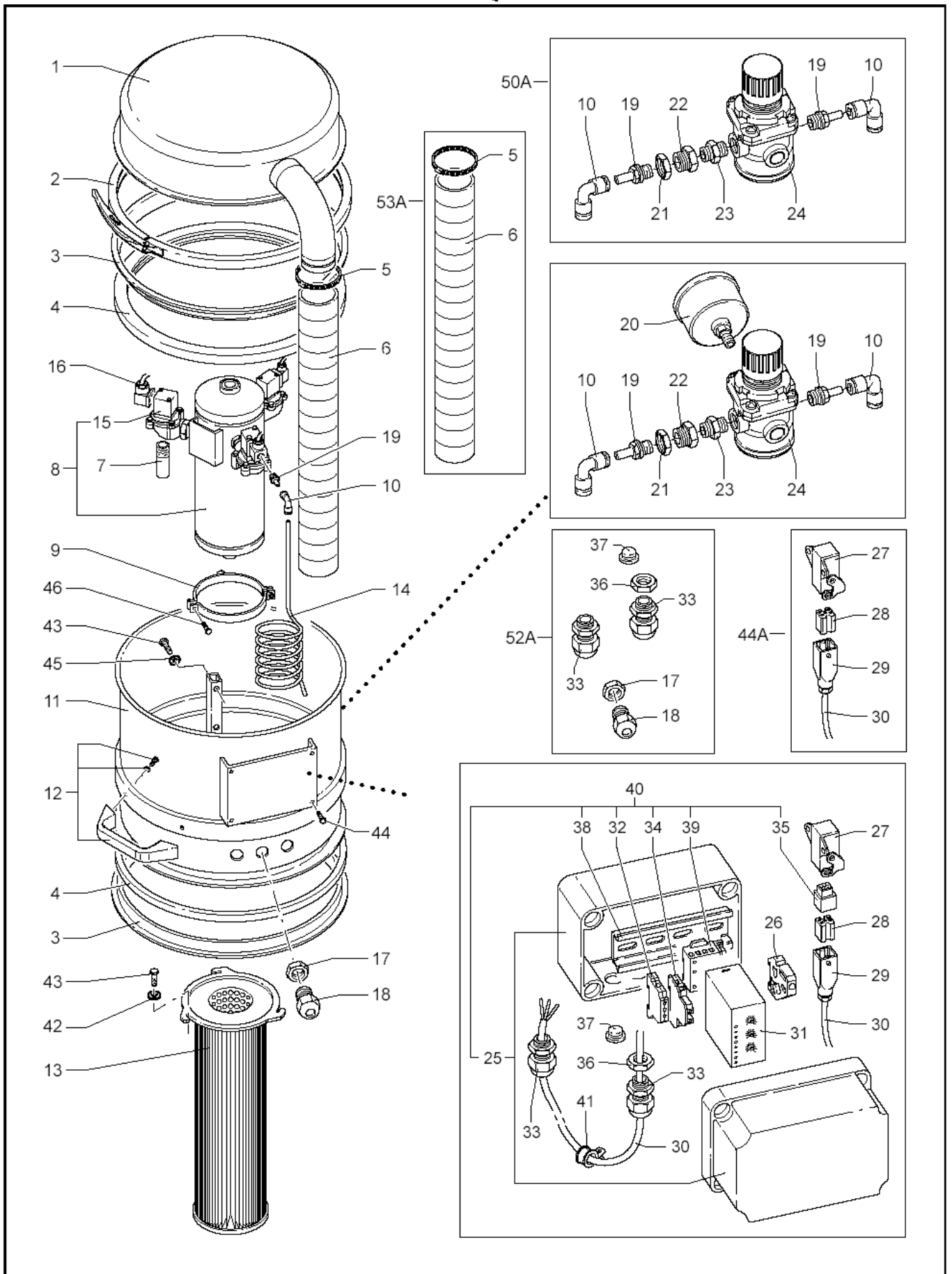
IV 022

21-04-2015

Part List ID
G203327

49

54A



Cartridge Cpl.

IV 022

21-04-2015

Part List ID

G2U3327

50

| Pos | Part no. | Qty | Description |
|-----|-----------|-----|--|
| 1 | 32400204 | 1 | CAP.D.460 |
| 2 | Z8 36191 | 1 | BAND LOCK D.460 |
| 3 | Z8 15003 | 2 | FILTER HOLDER RING D460 FE |
| 4 | 32400060 | 2 | GASKET.FOR RING D.460 |
| 7 | Z8 13210 | 3 | NOZZLE 3/4 X 100 KIT CARTR. |
| 8 | 32400185 | 1 | TANK.COMPLETE |
| 9 | Z8 40561 | 2 | COLLAR D140 TANK KIT 460 |
| 11 | 32400181 | 1 | SIDE. RAL7001 |
| 12 | 32400333 | 3 | HANDLE.KIT FOR CONTAINER |
| 13 | Z8 33140 | 3 | FILTER CART.D150X500 MC |
| 14 | Z8 24077 | 1 | RILSAN TUBE 6x8 W.SPIRAL ORANGE x D.C. |
| 15 | Z8 40330 | 3 | VALVE MECAIR 3/4 |
| 16 | Z8 39979 | 3 | CABLE 3G1 WITH CONNECTOR FOR TANKS |
| 20 | Z8 40098 | 1 | MANOMETER D40 MOD.A17 |
| 25 | Z8 39232 | 1 | BOX 170x135x145 IP66 BxHxP MOD.317L |
| 31 | Z8 391107 | 1 | CYCLIC TIMER 24VAC 4OUT |
| 35 | Z8 39345 | 1 | OUTLET INSERT 3P+E GW PLASTIC |
| 40 | Z8 41039 | 1 | E.B. KIT CART. D3-460 24VAC IP55 |
| 41 | Z8 39981 | 1 | FAIRLEAD RUBBERISED D16 |
| 50A | 32400801 | 1 | REGULATOR.COMPL.KIT CARTRIDGE |
| 51A | 32400802 | 1 | CONNECTOR.KIT COMPLETE CARTRIDGE |
| 52A | 32400803 | 1 | SET PG.COMPLETE F/KIT CARTRIDGE 32400155 |
| 53A | 32400800 | 1 | SLEEVE.COMPLETE KIT |
| 54A | 32400155 | 1 | CARTRIDGES. KIT |

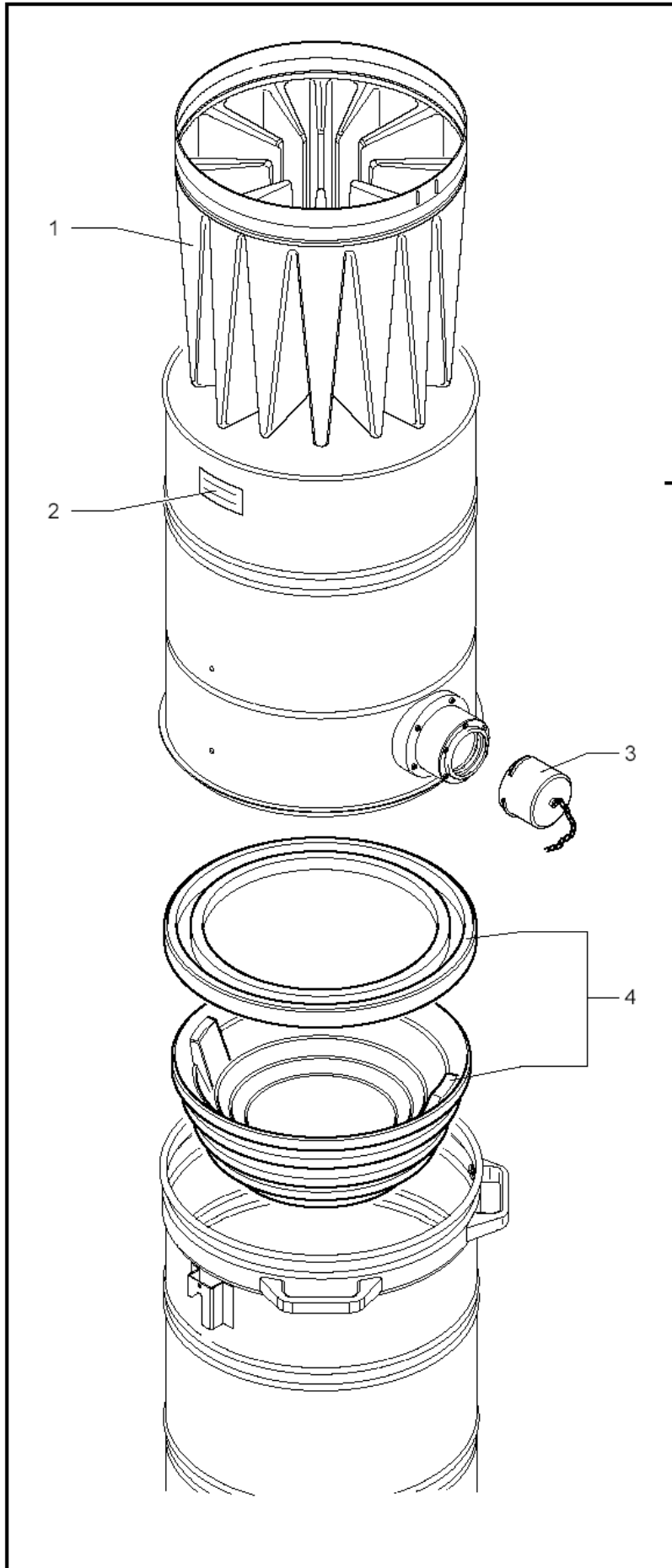
Class M.

IV 022

21-04-2015

Part List ID
G203329

51



Class M.

IV 022

21-04-2015

Part List ID
G2U3329

52

| Pos | Part no. | Qty | Description |
|-----|-----------|-----|------------------------------------|
| 1 | 32400331 | 1 | FILTER.CLASS M KIT D.460 IV022/040 |
| 2 | Z8 17551 | 1 | LABEL CATEGORY M |
| 3 | L04003200 | 1 | BLIND SHUTTER Ø 50 MM |
| 4 | 32400159 | 1 | CONTAINERS.ABS KIT |
| 5 | 32400156 | 1 | CLASS M.KIT |

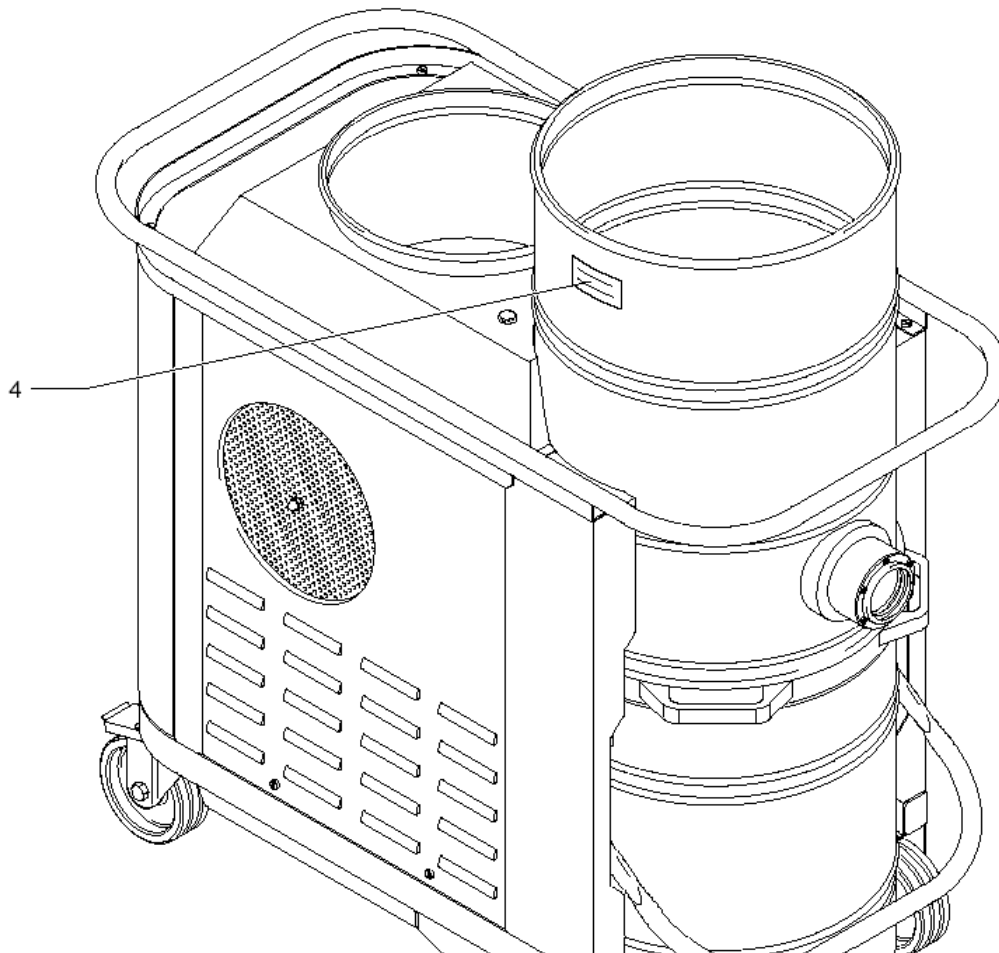
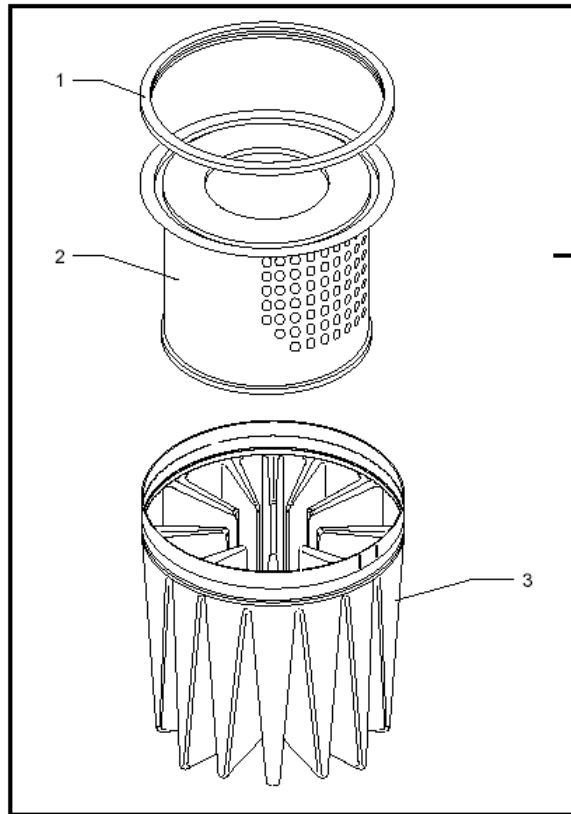
Class H.

IV 022

21-04-2015

Part List ID
G203331

53



Class H.

IV 022

21-04-2015

Part List ID

G2U3331

54

| Pos | Part no. | Qty | Description |
|-----|----------|-----|------------------------------------|
| 1 | 32400337 | 1 | GASKET.FOR RING KIT D.360 |
| 2 | 32400125 | 1 | FILTER.ABSOLUTE |
| 3 | 32400331 | 1 | FILTER.CLASS M KIT D.460 IV022/040 |
| 5 | 32400157 | 1 | CLASS H.KIT |

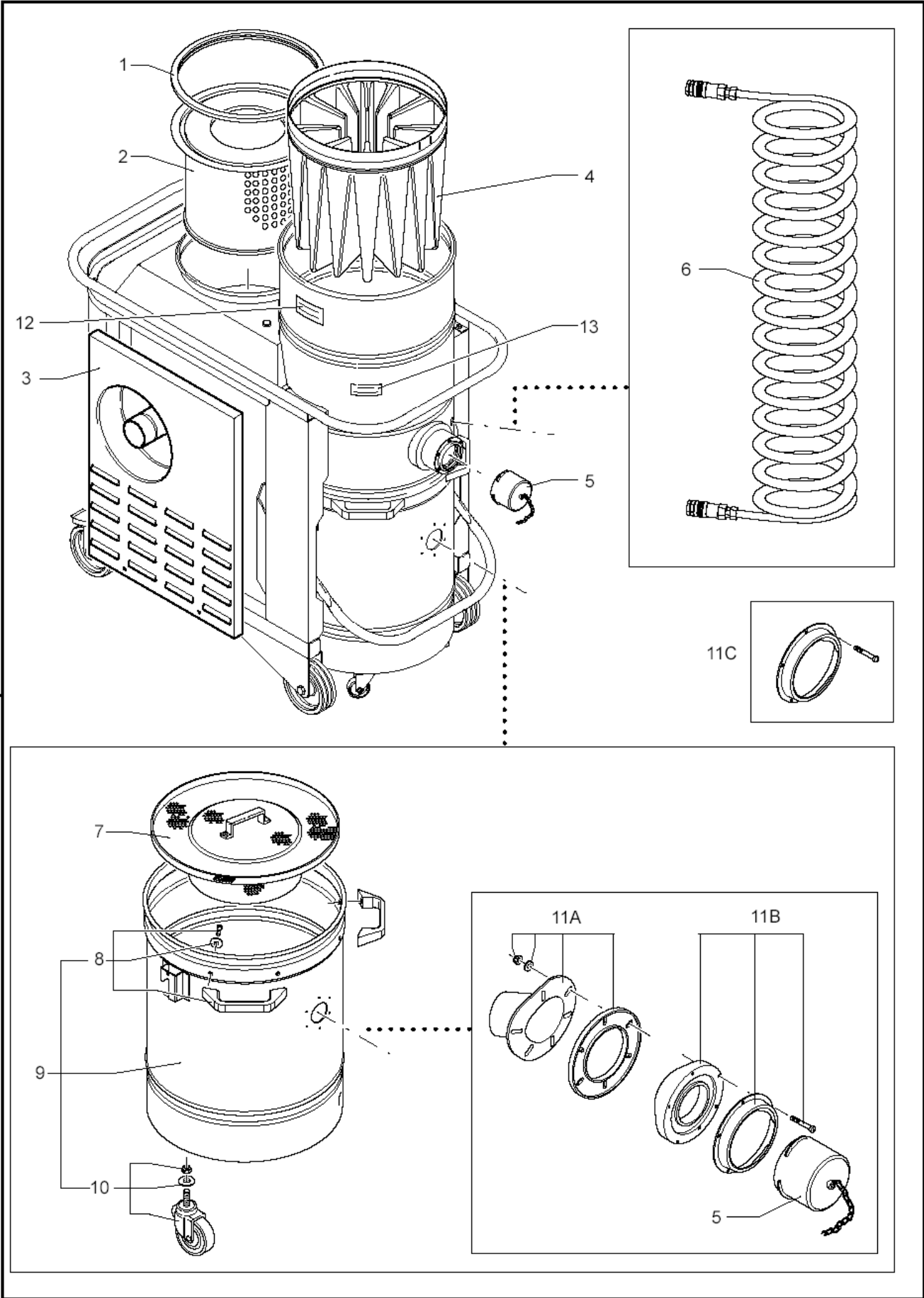
Asbestos

IV 022

21-04-2015

Part List ID
G203333

55



Asbestos

IV 022

21-04-2015

Part List ID
G2U33333

56

| Pos | Part no. | Qty | Description |
|-----|-----------|-----|-------------------------------------|
| 1 | 32400337 | 1 | GASKET.FOR RING KIT D.360 |
| 2 | 32400125 | 1 | FILTER.ABSOLUTE |
| 3 | 32400208 | 1 | PANEL.WITH PIPE |
| 4 | 32400331 | 1 | FILTER.CLASS M KIT D.460 IV022/040 |
| 5 | L04003200 | 1 | BLIND SHUTTER Ø 50 MM |
| 6 | Z5 60133 | 1 | DEPRESSOR COMPLETE M.317 |
| 7 | Z8 31221 | 1 | CONTAINER GRID D460 ZINC |
| 8 | 32400333 | 1 | HANDLE.KIT FOR CONTAINER |
| 10 | 32400332 | 1 | WHEELS.CONTAINER COMPLETE IV022/040 |
| 14 | 32400158 | 1 | ASBESTOS.KIT |
| 11A | 21582901 | 1 | INLET FOR DUST BAG |
| 11B | 32211201 | 1 | BAYONET COUPLING 50 MM FOR DUST |
| 11C | 22386500 | 1 | BAYONET RING FOR INLET 50MM |

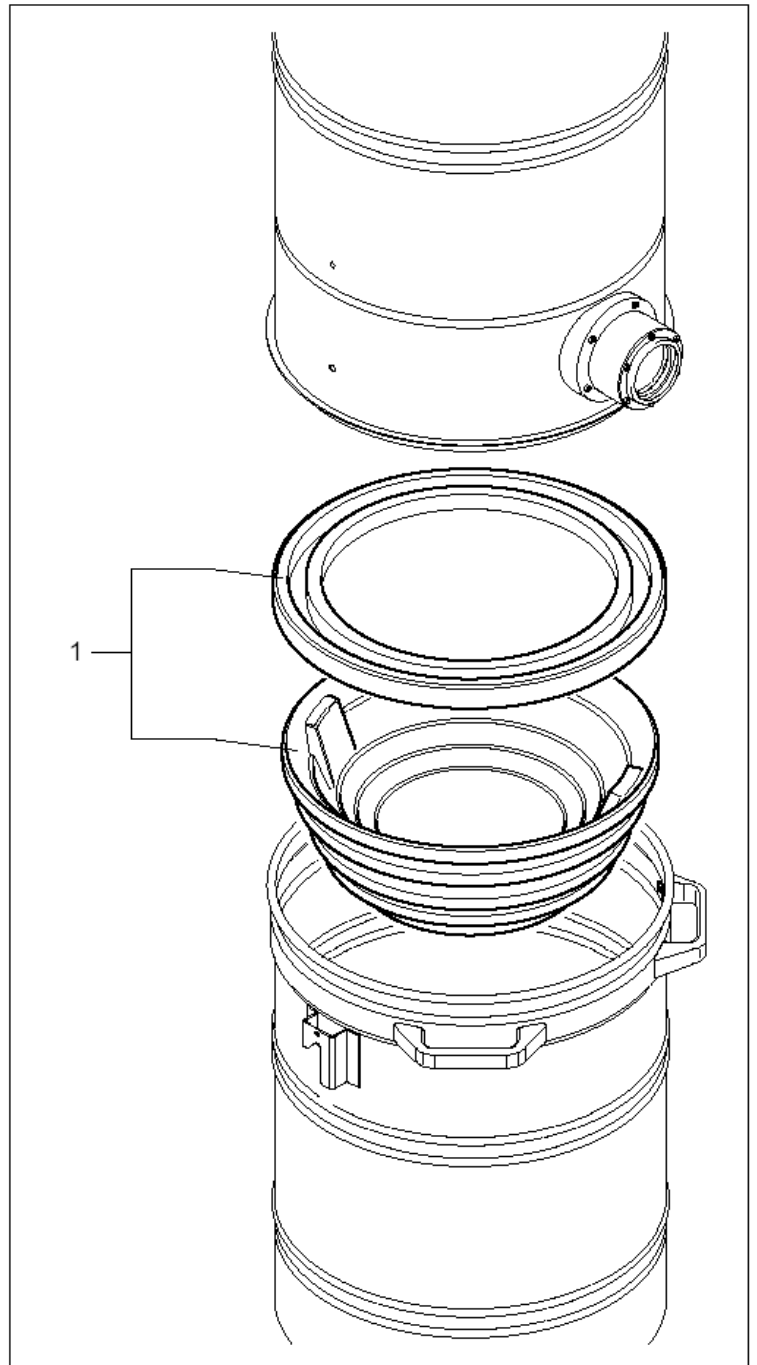
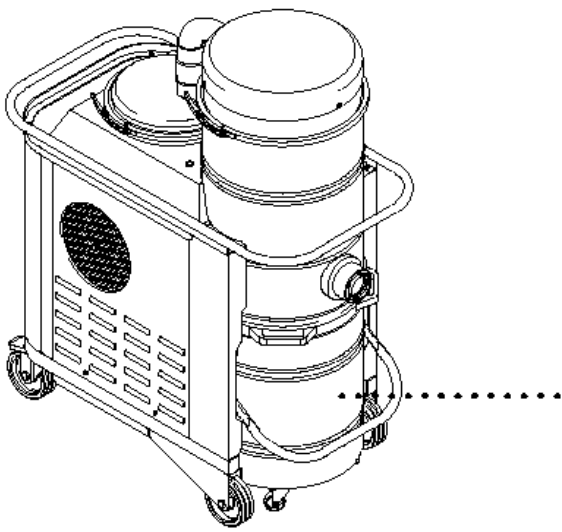
ABS Container

IV 022

21-04-2015

Part List ID
G203335

57



ABS Container

IV 022

21-04-2015

Part List ID
G2U3335

58

| Pos | Part no. | Qty | Description |
|-----|----------|-----|--------------------|
| 1A | 32400159 | 1 | CONTAINERS.ABS KIT |

HEPA Filter

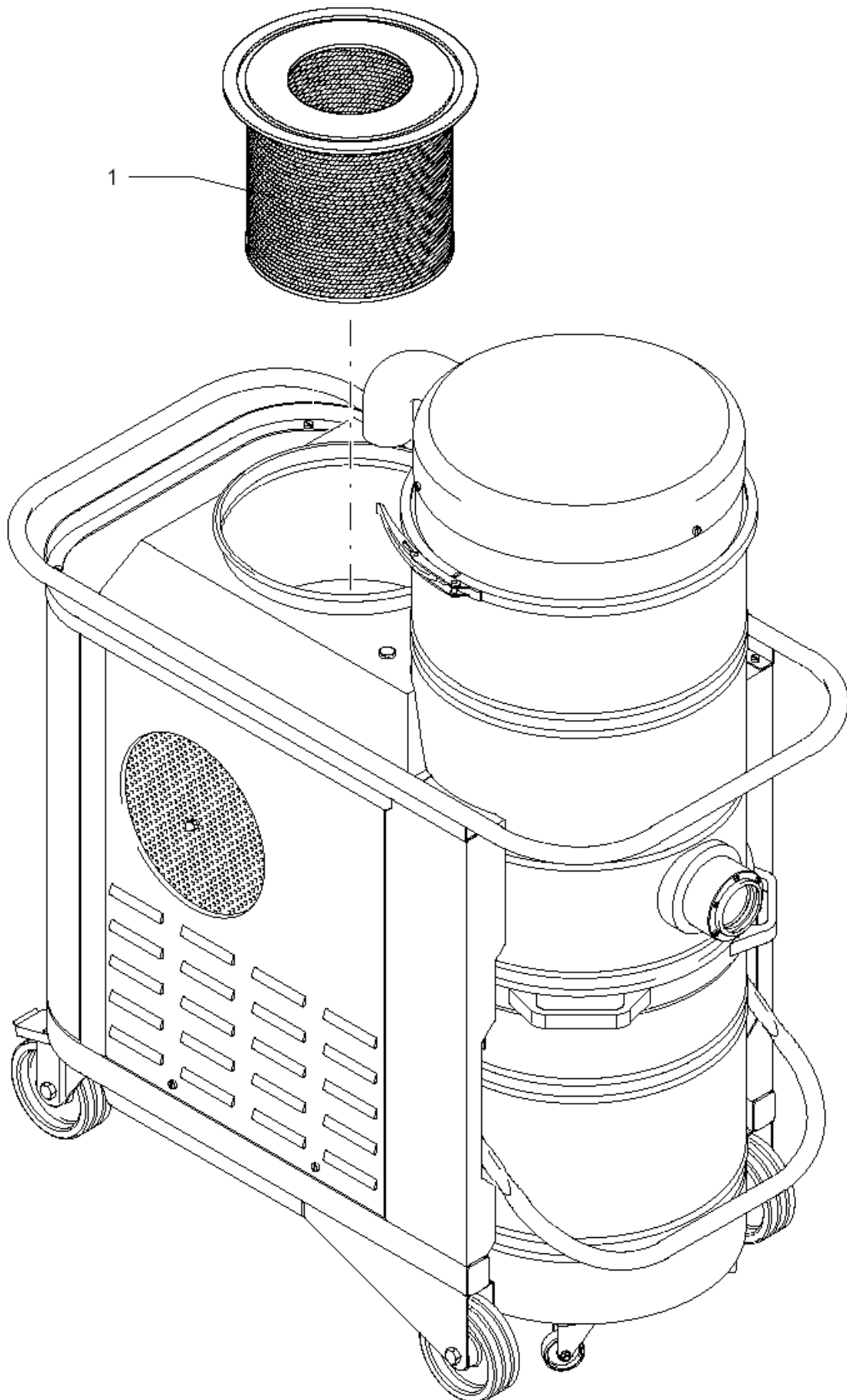
IV 022

21-04-2015

Part List ID

G203337

59



HEPA Filter

IV 022

21-04-2015

Part List ID
G203337

60

| Pos | Part no. | Qty | Description |
|-----|----------|-----|-----------------|
| 1 | 32400125 | 1 | FILTER.ABSOLUTE |

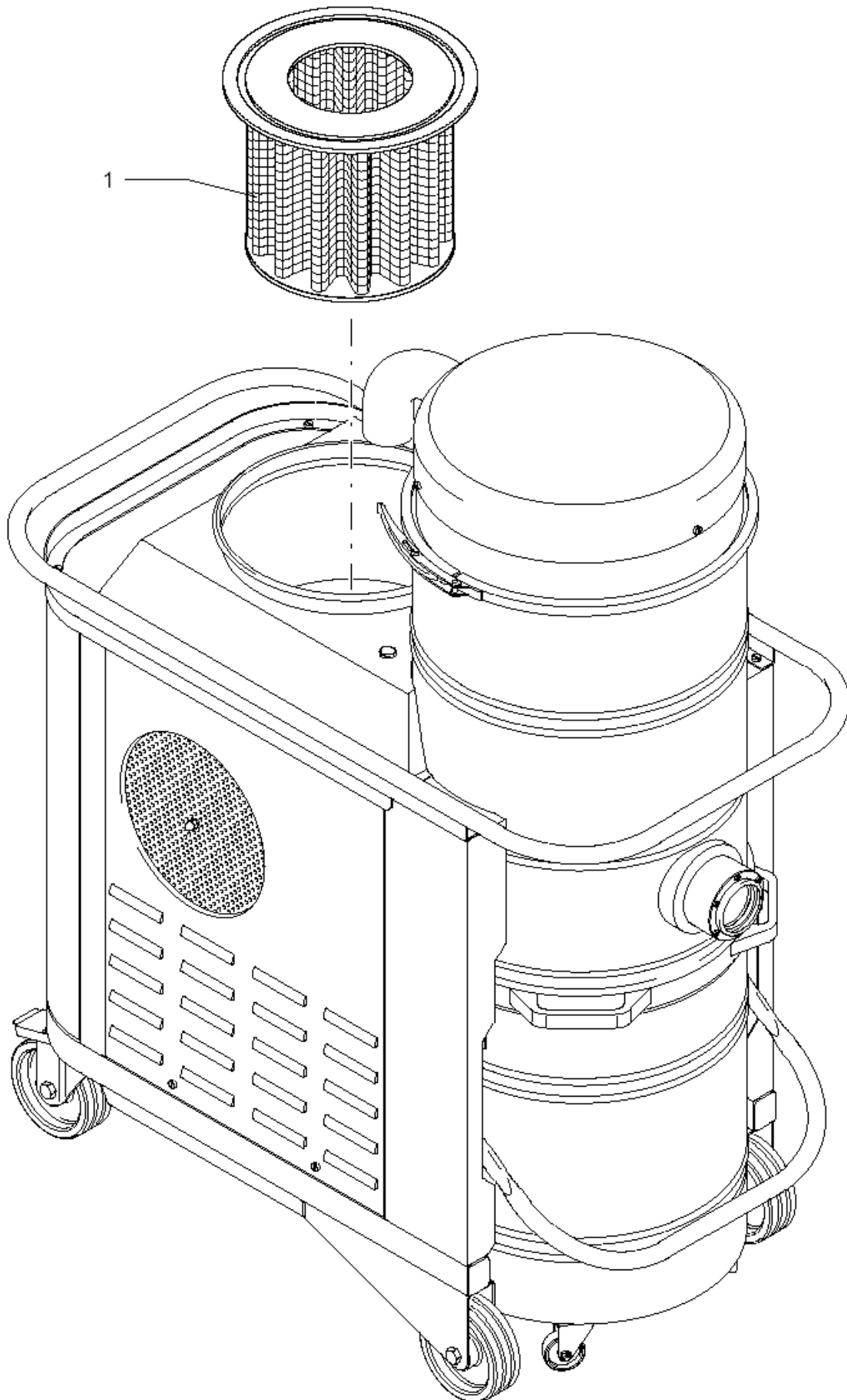
SAFETY Filter

IV 022

21-04-2015

Part List ID
G203339

61



SAFETY Filter

IV 022

21-04-2015

Part List ID
G2U3339

62

| Pos | Part no. | Qty | Description |
|-----|----------|-----|------------------------|
| 1 | 32400318 | 1 | CARTRIDGE.KIT CLASS G4 |