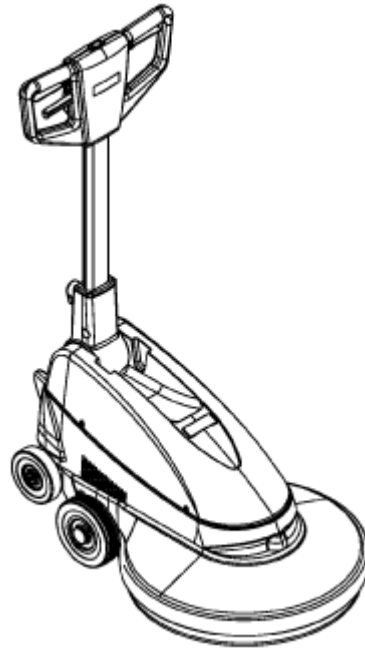


BU500

Model:
BU500



Part List US-English

24-02-2015

Table of Contents

BU500

Machine overview	3
Handle system	6
Pads guide and wiring	9
Recommended spare parts	11

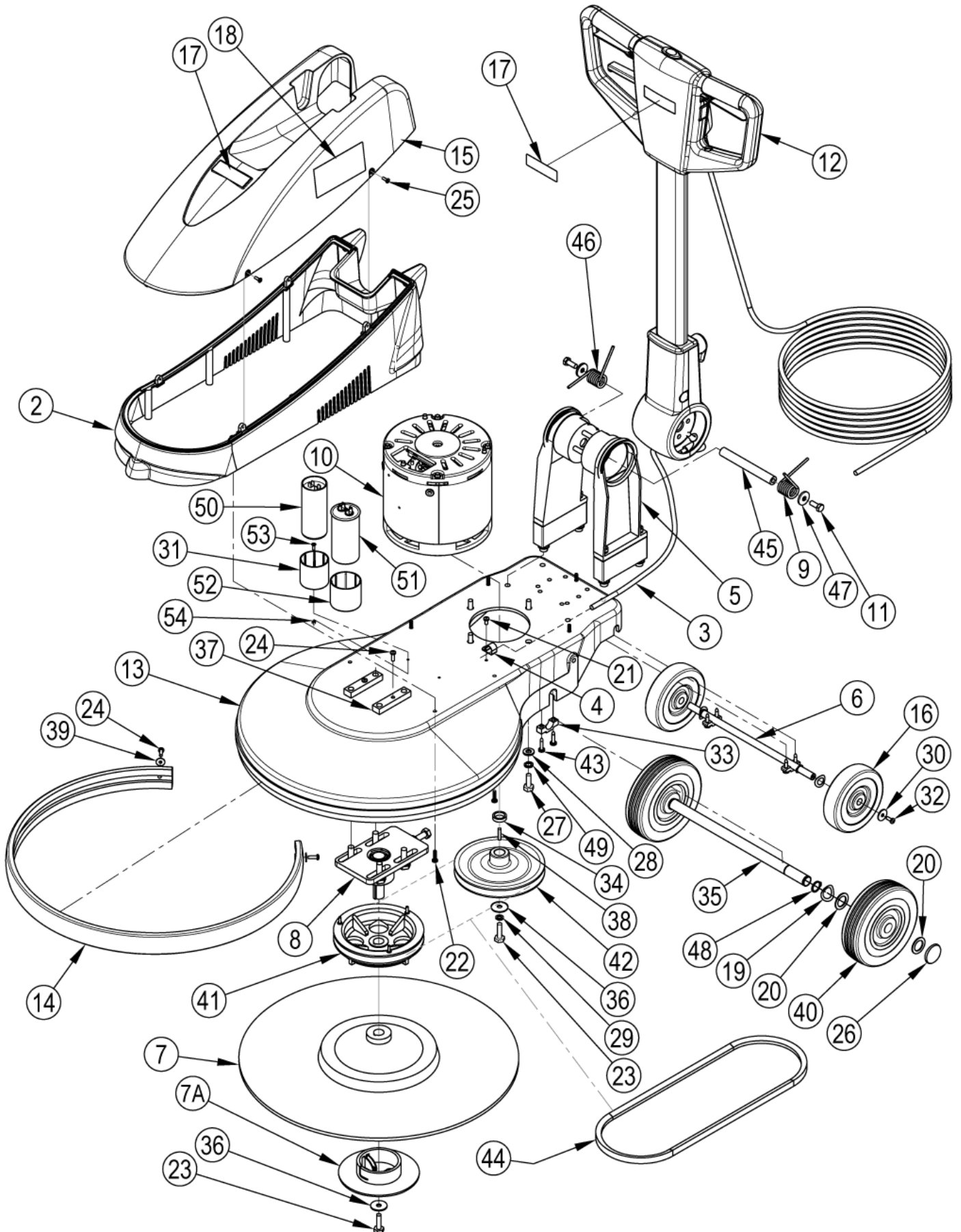
Machine overview

BU500

24-02-2015

Part List ID
BU50002

3



Machine overview

BU500

24-02-2015

Part List ID BU50002

4

Pos	Part no.	Qty	Description
2		1	NOTE COMMENT BOTTOM COVER
3	VF45121B	1	BURNISHER INTERCONNECT CABLE
4	VV50712	1	CLAMP
5	VF52213	1	ARM KIT
6	VF52214	1	AXLE TRANSPORTATION KIT
7	56925A	1	PAD DRIVER
8	VF52220	1	DRIVEN SHAFT KIT
9		1	NOTE COMMENT SPRING, CCW
10	YLQ36000	1	MOTOR 230/50 1.1 KW 1500 RPM
11		2	NOTE COMMENT SCR M8 X 20 HEX
12		1	NOTE COMMENT SEE HANDLE ASSEMBLY
13	20038A	1	MAINFRAME GRAY BURNISHER
14	30886A	1	BUMPER
15		1	NOTE COMMENT COVER UPPER
16	VF52017N	2	WHEEL TRANSPORT
17		2	NOTE COMMENT LABEL HANDLE NILFI SK
18		2	NOTE COMMENT LABEL NILFI SK BU500
19		2	NOTE COMMENT WASHER BOWED 20 MM
20		2	NOTE COMMENT WASHER FLAT 20 MM
21	VV20509	1	SCREW M5 X 10
22		7	NOTE COMMENT SCREW M5 X 20-ST PH
23	GT13018	2	SCREW M8x30
24	VA13474	4	SCREW M5 X 16
25		4	NOTE COMMENT SCREW
26	VA96851	2	WHEEL CAP
27	VF13497	4	SCREW 3/8-16 HEX
28	VF13517	4	WASHER PLAIN F10xF20x2.5
29	VF13519	1	WASHER LOCK M8
30	VF13666	2	WASHER PLAIN F6
31	VF52110	2	CLAMP CAPACITOR
32	VF44012	2	SCREW M6X12.7
33		2	NOTE COMMENT WHEEL CLAMP LARGE
34	VF52008	1	SPACER DRIVING PULLEY
35		1	NOTE COMMENT AXLE MAIN
36	VF52021	2	WASHER PLAIN F8xF30x5
37	VF52106	2	MOUTING PLATE
38	ZD40205	1	KEY MOTOR
39	VF13474A	2	WASHER PLAIN f5xf16
40		2	NOTE COMMENT WHEEL 160MM DIA. GRAY
41	VF52004A	1	DRIVEN PULLEY
42	VF52009G	1	DRIVING PULLEY

NS = Not Show n

K1 incl. pos.15,25

K2 incl. pos. 2,22

K3 incl. pos. 9,11,45,46,47

K4 incl. pos.33,35,43

Machine overview

BU500

24-02-2015

Part List ID
BU50002

5

Pos	Part no.	Qty	Description	
43		4	NOTE COMMENT	SCR M5X20 SELF TAPPING CROSS RECESS
44	VF14079	1	VEE BELT 43 INCH	
45		1	NOTE COMMENT	SHAFT
46		1	NOTE COMMENT	SPRING, CCW
47		2	NOTE COMMENT	WASHER 8MM
48		2	NOTE COMMENT	RING-RETAINING EXTERNAL 19MM (.750)
49	VF13518	4	WASHER LOCK f10	
50	VF999849	1	START CAPACITOR 100F/300V	
51	VF32109	1	RUNNING CAPACITOR 20UF/600V	
52	VF74102	1	HOLDER SMALL CAPACITOR	
53	VF13490	2	SCREW M4 x 12	
54	GT13014	1	NUT M4 NYLON INSERT	
7A	57369A	1	RETAINER PAD BOT HALF ONLY	part of 56925A)
K1	56381549	1	UPPER COVER KIT NILFISK BU500	
K2	56381551	1	LOWER COVER KIT NILFISK BU500	
K3	56381554	1	BURNISHER BALANCE SPRING KIT	
K4	56381556	1	BURNISHER MAIN AXLE KIT	
K5	11282A	2	WHEEL KIT	
K6	56381544	1	DECAL KIT BU500	

NS = Not Show n

K1 incl. pos.15,25

K2 incl. pos. 2,22

K3 incl. pos. 9,11,45,46,47

K4 incl. pos.33,35,43

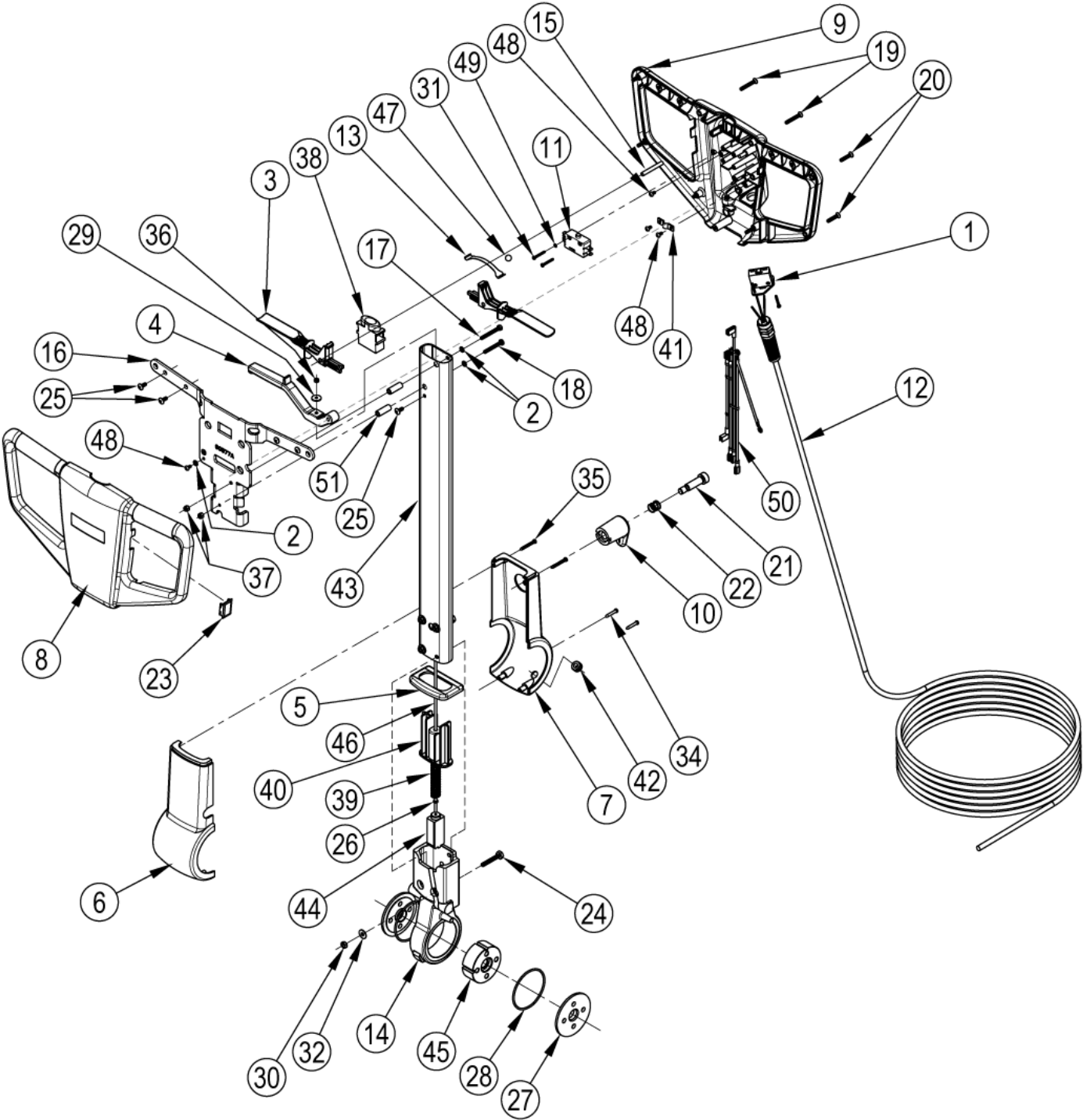
Handle system

BU500

24-02-2015

Part List ID
BU50004

6



Handle system

BU500

24-02-2015

Part List ID
BU50004

7

Pos	Part no.	Qty	Description	
1	VF99012	1	CIRCUIT BREAKER 12 AMP	CIRCUIT BREAKER ASSEMBLY
2		3	NOTE COMMENT	WASHER SH 1210-00
3		2	NOTE COMMENT	LEVER SWITCH
4		1	NOTE COMMENT	LEVER HANDLE ADJUSTMENT
5		1	NOTE COMMENT	CAP RUBBER
6		1	NOTE COMMENT	COVER FRONT
7		1	NOTE COMMENT	COVER REAR
8		1	NOTE COMMENT	COVER HANDLE FRONT
9		1	NOTE COMMENT	COVER HANDLE REAR
10		1	NOTE COMMENT	HOOK CORD
11	40263A	1	SWITCH DPST	
12	40249A	1	CORD POWER UK	(only on 56380064)
12	40268A	1	CORD POWER	(only on 56380063)
13		1	NOTE COMMENT	SPRING INTERLOCK BUTTON
14		1	NOTE COMMENT	HOUSING GEAR INDEX
15		3	NOTE COMMENT	PIN HANDLE SUPPORT
16		1	NOTE COMMENT	HANDLE SUPPORT
17		1	NOTE COMMENT	SCREW M5 X 43 SS HEX HEAD
18		1	NOTE COMMENT	SCREW M5 X 40 SS PAN HEAD PHILLIPS
19		2	NOTE COMMENT	SCREW M5 X 35 SS FLAT HEAD PHILLIPS
20		6	NOTE COMMENT	SCREW M5 X 25 SS FLAT HEAD PHILLIPS
21		1	NOTE COMMENT	SCR SHOULDER 12MM X 35MM, M10-1.5
22		1	NOTE COMMENT	SPRING 15 MM X 15 MM LONG
23	VF54041	1	HANDLE PLUG	
24		4	NOTE COMMENT	SCREW M6 X 40 SS HEX HEAD
25		6	NOTE COMMENT	SCREW M5 X 12 SS TRUSS HEAD PHILLIPS
26		1	NOTE COMMENT	NUT
27		2	NOTE COMMENT	PLATE-GROOVED
28		2	NOTE COMMENT	O-RING
29		1	NOTE COMMENT	WASHER M4 X 16
30		4	NOTE COMMENT	NUT
31		2	NOTE COMMENT	SCREW M3 X 25 SS PAN HEAD PHILLIPS
32		4	NOTE COMMENT	WASHER
33		1	NOTE COMMENT	
34		2	NOTE COMMENT	SCREW ST4-1.4 X25 PAN HEAD
35		2	NOTE COMMENT	SCREW ST4-1.4 X 30 PAN HEAD
36		1	NOTE COMMENT	Nut M4 SS Nylon Insert
37		1	NOTE COMMENT	Nut Lock M5 SS Hex
38		1	NOTE COMMENT	BUTTON INTERLOCK
39		1	NOTE COMMENT	SPRING

K1 incl. pos. 10,21,22

K2 incl. pos. 8,9,19,20

K3 incl. pos. 2,16,17,18,25,37

K4 incl. pos. 3,4,13,15,29,31,36,38,41,47,48,49

K5 incl. pos. 5,6,7,34,35,42

Handle system

BU500

24-02-2015

Part List ID
BU50004

8

Pos	Part no.	Qty	Description	
40		1	NOTE COMMENT	HOUSING SPRING BLACK
41		1	NOTE COMMENT	CLAMP CORD
42		1	NOTE COMMENT	STRAIN RELIEF
43		1	NOTE COMMENT	TUBE HANDLE
44		1	NOTE COMMENT	GEAR HANDLE ADJUSTMENT
45		1	NOTE COMMENT	GEAR
46		1	NOTE COMMENT	Plunger Rod
47		1	NOTE COMMENT	BALL INTERLOCK 10MM
48		2	NOTE COMMENT	Screw, M4 X 8 SS Pan Head Phillips
49		2	NOTE COMMENT	WASHER M3 EXTERNAL TOOTH
50	56381542	1	SWITCH WIRE ASM	
51		1	NOTE COMMENT	Support Handle Tube
K1	11269A	1	CORD WRAP KIT	K1 incl. pos. 10,21,22
K2	11280A	1	HANDLE COVER KIT	K2 incl. pos. 8,9,19,20
K3	11273A	1	HANDLE SUPPORT KIT	K3 incl. pos. 2,16,17,18,25,37
K4	11274A	1	HANDLE SWITCH LEVER KIT	K4 incl. pos. 3,4,13,15,29,31,36,38,41,47,48,49
K4	56381557	1	GEAR HOUSING COVER KIT	K5 incl. pos. 5,6,7,34,35,42
K6	56381558	1	BURNISHER GEAR SET KIT	K6 incl. pos. 27,28,44,45
K7	56381559	1	GEAR HOUSING AND TUBE KIT	K7 incl. pos. 14,24,30,32,40,43,51
K8	11286A	1	RELEASE SPRING AND ROD KIT	K8 incl. pos. 29, 36, 46

K1 incl. pos. 10,21,22

K2 incl. pos. 8,9,19,20

K3 incl. pos. 2,16,17,18,25,37

K4 incl. pos. 3,4,13,15,29,31,36,38,41,47,48,49

K5 incl. pos. 5,6,7,34,35,42

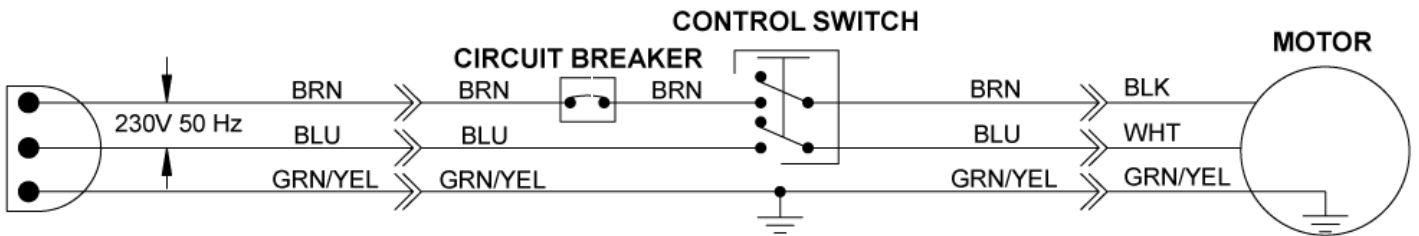
Pads guide and wiring

BU500

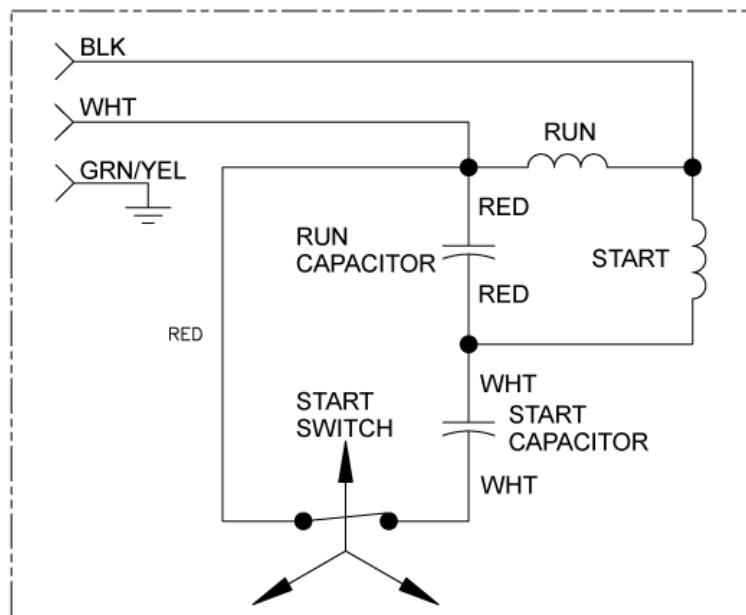
24-02-2015

Part List ID
BU50006

9



MOTOR DIAGRAM



Pads guide and wiring

BU500

24-02-2015

Part List ID
BU50006

10

Pos	Part no.	Qty	Description
	976240	1	PADS CS20 AQUA ULTRA HS CS/5EA
	976327	1	PADS CS20 WHTNATRLBLEND CS/5EA
	976352	1	PADS CS20 TANNATRLBLEND CS/5EA

Natural Blend (Tan): Natural hair and synthetic fiber pad designed for best mark removal. For use on harder finishes or in high traffic areas. Removes marks and scratches while it polishes.

UHS (Aqua): A superior soft pad that lightly polishes the floor for a reflective appearance.

Natural Blend (White): Natural hair and synthetic fiber pad designed for best gloss. Provides excellent

Recommended spare parts

BU500

24-02-2015

Part List ID
BU50008

11

No Drawing For Part List

Recommended spare parts

BU500

24-02-2015

Part List ID
BU50008

12

Pos	Part no.	Qty	Description	
EM	11269A	1	CORD WRAP KIT	HANDLE ASSEMBLY
EM	11273A	1	HANDLE SUPPORT KIT	HANDLE ASSEMBLY
EM	11280A	1	HANDLE COVER KIT	HANDLE ASSEMBLY
EM	11282A	2	WHEEL KIT	BASE SYSTEM
EM	11286A	1	RELEASE SPRING AND ROD KIT	HANDLE ASSEMBLY
EM	40249A	1	CORD POWER UK	FINAL ASSEMBLY
EM	40268A	1	CORD POWER	FINAL ASSEMBLY
EM	56381544	1	DECAL KIT BU500	BASE SYSTEM
EM	56381549	1	UPPER COVER KIT NILFISK BU500	BASE SYSTEM
EM	56381551	1	LOWER COVER KIT NILFISK BU500	BASE SYSTEM
EM	56381554	1	BURNISHER BALANCE SPRING KIT	BASE SYSTEM
EM	56381557	1	GEAR HOUSING COVER KIT	HANDLE ASSEMBLY
EM	56381558	1	BURNISHER GEAR SET KIT	HANDLE ASSEMBLY
EM	56381559	1	GEAR HOUSING AND TUBE KIT	HANDLE ASSEMBLY
EM	VF52004A	1	DRIVEN PULLEY	BASE SYSTEM
EM	VF52009G	1	DRIVING PULLEY	BASE SYSTEM
EM	VF52017N	2	WHEEL TRANSPORT	BASE SYSTEM
EM	YLQ36000	1	MOTOR 230/50 1.1 KW 1500 RPM	BASE SYSTEM
OM	11274A	1	HANDLE SWITCH LEVER KIT	HANDLE ASSEMBLY
OM	30886A	1	BUMPER	BASE SYSTEM
OM	40263A	1	SWITCH DPST	HANDLE ASSEMBLY
OM	56925A	1	PAD DRIVER	BASE SYSTEM
OM	GT17003	1	CAPACITOR	BASE SYSTEM
OM	GT17004	1	CAPACITOR	BASE SYSTEM
OM	VF14079	1	VEE BELT 43 INCH	BASE SYSTEM
OM	VF32109	1	RUNNING CAPACITOR 20UF/600V	BASE SYSTEM
OM	VF52220	1	DRIVEN SHAFT KIT	BASE SYSTEM
OM	VF999849	1	START CAPACITOR 100F/300V	BASE SYSTEM

CLASS

W = Normal Wear

OM = Ordinary Maintenance