

IMAGE 16, IMAGE 20 230V

Model:
IMAGE 16
IMAGE 20



Part List US-English

14-02-2015

Table of Contents

IMAGE 16, IMAGE 20 230V

| | |
|----------------------------------|-----------|
| Accessories | 3 |
| Final assembly IMAGE 16 | 5 |
| Final assembly IMAGE 20 | 8 |
| Recovery tank IMAGE 16 | 11 |
| Recovery tank IMAGE 20 | 13 |
| Brush housing IMAGE 16 | 15 |
| Brush housing IMAGE 20 | 17 |
| Electric parts IMAGE 16I | 19 |
| Electric parts IMAGE 16IX | 21 |
| Electric parts IMAGE 20I | 23 |
| Electric parts IMAGE 20IX | 25 |
| Recovery shoe IMAGE 16 | 27 |
| Recovery shoe IMAGE 20 | 29 |
| Valve ass. IMAGE 16 | 31 |
| Valve ass. IMAGE20 | 33 |
| Pump IMAGE 16 | 35 |
| Pump IMAGE 20 | 37 |
| Motor IMAGE 16 | 39 |
| Motor IMAGE 20 | 41 |

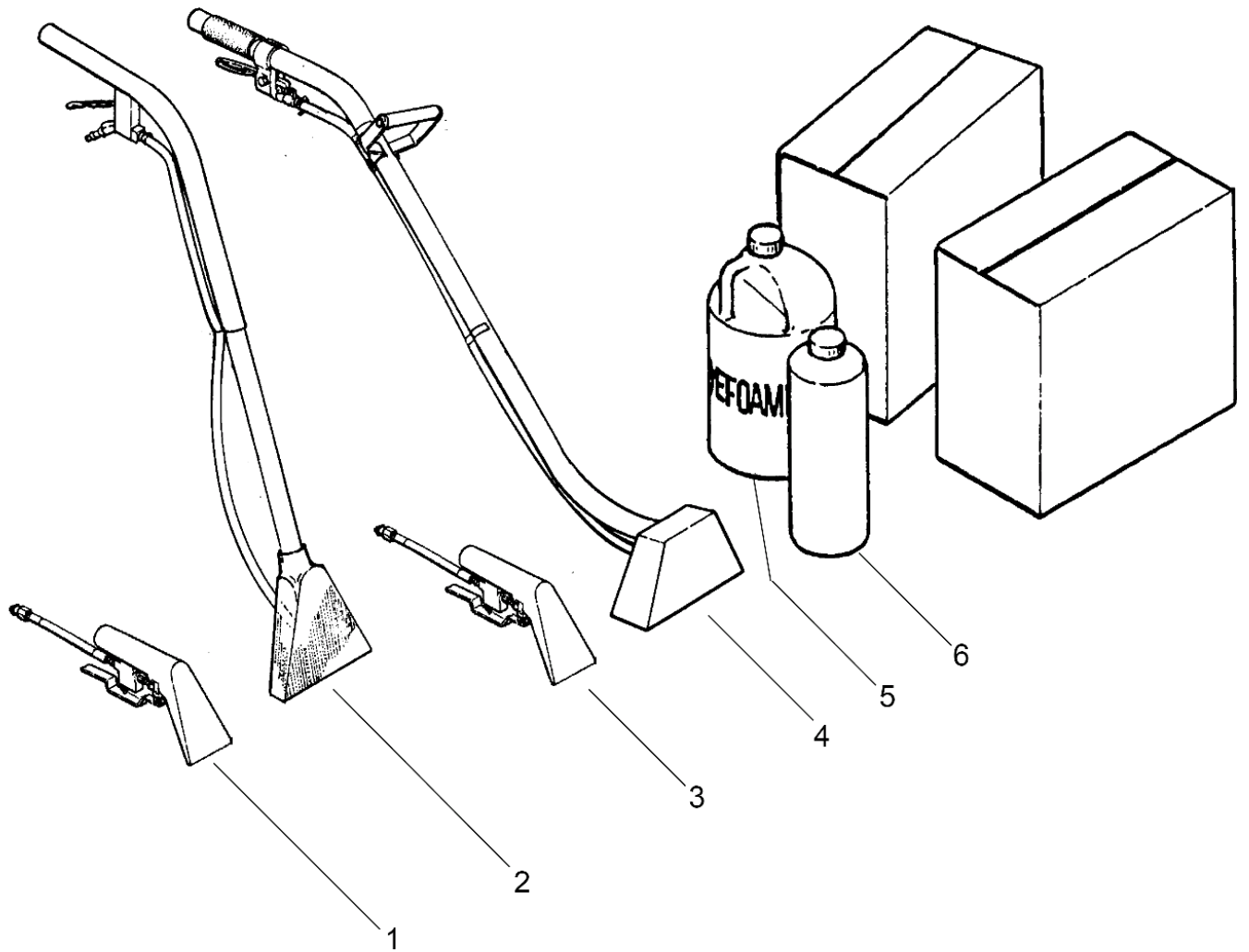
Accessories

IMAGE 16, IMAGE 20 230V

14-02-2015

Part List ID
IMAGE1602

3



Accessories

IMAGE 16, IMAGE 20 230V

14-02-2015

Part List ID
IMAGE1602

4

| Pos | Part no. | Qty | Description |
|-----|----------|-----|---|
| 1 | 56220109 | 1 | HAND TOOL |
| 2 | 59230A | 1 | TOOLFLOOR WANDPLASTIC 8 |
| 3 | 59228A | 1 | TOOLHAND 4 METAL |
| 4 | 59229A | 1 | TOOLFLOOR METAL 12 |
| 5 | 398426 | 1 | CLARKCARE CASE 4 GAL D/F *12, 1 QUART BOTTLES |
| 6 | 398425 | 1 | CLARKARE CONC CASE 4 GAL *12, 1 QUART BOTTLES |

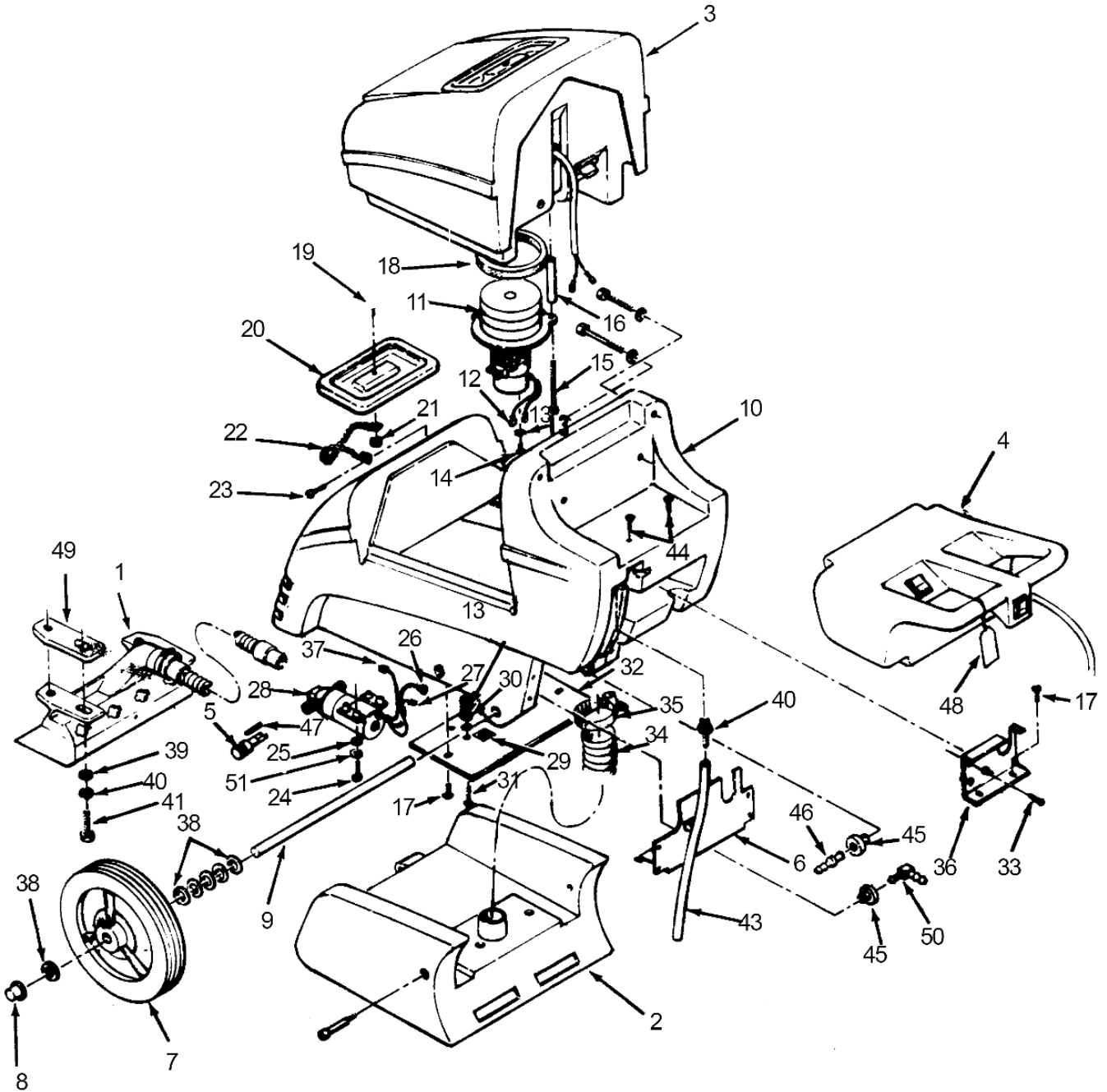
Final assembly IMAGE 16

IMAGE 16, IMAGE 20 230V

14-02-2015

Part List ID
IMAGE1604

5



Final assembly IMAGE 16

IMAGE 16, IMAGE 20 230V

14-02-2015

Part List ID
IMAGE1604

6

| Pos | Part no. | Qty | Description | |
|-----|----------|-----|--------------------------------|--------------------------|
| 1 | | 1 | NOTE COMMENT | ASM., RECOVERY SHOE 230V |
| 2 | | 1 | NOTE COMMENT | ASM., BRUSH HOUSING |
| 3 | | 1 | NOTE COMMENT | ASM., RECOVERY TANK |
| 4 | | 1 | NOTE COMMENT | ASM., ELECTRICAL PANEL |
| 5 | 912201 | 1 | FUSE HOLDER 115V | |
| 6 | | 1 | NOTE COMMENT | ASM., VALVE SUPPORT |
| 7 | 59947A | 2 | WHEEL 10 X 1.75 X .50 BORE | |
| 8 | 920346 | 2 | PALNUT PW500015 TYPE W | |
| 9 | 67463A | 1 | SHAFT .50 O.D. X 16.8 PLTD | |
| 10 | 30282A | 1 | TANKSOL IMAGE 16/20 ALTO | (INCL. # S 45, 46, 50) |
| 11 | 44914A | 1 | MOTORVAC 3-STAGE230VEXT-77 | |
| 12 | 47708A | 2 | TERMINAL 1/4 FIMQD 22-18 GA. | |
| 13 | 980603 | 3 | WASHER LK 10 EXT TOOTHPLTD | |
| 14 | 962546 | 1 | SCR 10 24X 1/2 PN ST TYP23 | |
| 15 | 85736A | 3 | SCREW1/4-20 X 3 3/4 HEX HD SZ | |
| 16 | 58533A | 3 | SPACER VAC MOTOR 3 STG. SUMMI | |
| 17 | 84237A | 4 | SCREW 10-32 X 1/2 PAN HD SS | |
| 18 | 643418 | 1 | GASKET | |
| 19 | 962798 | 1 | SCR 10 24X 1/2 PN SS | |
| 20 | 832322 | 1 | COVER-SOL TANK | |
| 21 | 81110A | 1 | NUT HEX ELASTIC LOCK 10-24 S.S | |
| 22 | 692409 | 1 | CHAIN-COVER 925A | |
| 23 | 85519A | 1 | SCR 1/4 20X 3/8 PN SY TC F | |
| 24 | 962113 | 4 | SCR 10-32X1 RD ST MACH | |
| 25 | 980982 | 4 | WASHER 10 SAE FLAT PLTD | |
| 26 | 911933 | 1 | TERMINALRING- 10 16-14 GAUGE | |
| 27 | 47708A | 1 | TERMINAL 1/4 FIMQD 22-18 GA. | |
| 28 | 45929A | 1 | PUMP 100 PSI BYPASS 230V | |
| 29 | 77094A | 1 | LABEL GROUND SYMBOL | |
| 30 | 920224 | 2 | NUT-10X32 HEX | |
| 31 | 85383A | 1 | SCREW 10-32 X 3/4 PAN HD | |
| 32 | 68779A | 1 | COVER WLDMTLOWER PNTD IMG 16 | |
| 33 | 85395A | 1 | SCREW 1/4 20 X 1/2 PAN HD SS | |
| 34 | 674110 | 1 | HOSE | |
| 35 | 872010 | 2 | CLAMP HOSE | |
| 36 | | 1 | NOTE COMMENT | ASM.,PLATE, REAR COVER |
| 37 | 41069B | 1 | RELAY-24VDC MINI ISO | |
| 38 | 87607A | 12 | WASHER FLT 1.25X.52X.06 NYLON | |
| 39 | 980651 | 4 | WASHER 5/16 SAE FLAT | |
| 40 | 980652 | 4 | WASHER LK 5/16 REGPLTD | |
| 41 | 85813A | 4 | SCREW 5/16-18 X 1 HX HD | |
| 42 | 53619A | 1 | ADAPTOR 3/8 BARB X 1/4 NPT NYL | |
| 43 | 59322A | 1 | TUBINGCLEAR VINYL 3/8IDX1/2OD | |

Final assembly IMAGE 16

IMAGE 16, IMAGE 20 230V

14-02-2015

Part List ID
IMAGE1604

7

| Pos | Part no. | Qty | Description |
|-----|----------|-----|------------------------------|
| 44 | 171112 | 2 | SCREW 1/4 20 X 3/4 |
| 45 | 51518A | 2 | BUSHING HOSE CONNECTOR |
| 46 | 52414A | 1 | HOSEBARB 3/8 STRAIGHT |
| 47 | 42910A | 1 | FUSE 0.8 AMP 250V SLO BLOW |
| 48 | 699203 | 1 | TAG CAUTION |
| 49 | 67897A | 2 | SPACERRECOVERY TOOL IMAGE 16 |
| 50 | 51526A | 1 | HOSEBARB 3/8 X 90 DEG |
| 51 | 980650 | 4 | WASH .19 x .34 x .04 LOCK |
| NI | 14656A | 1 | LITERATURE KIT IMAGE 16/230V |
| NI | 699202 | 6 | TIE-WIRE 935A |

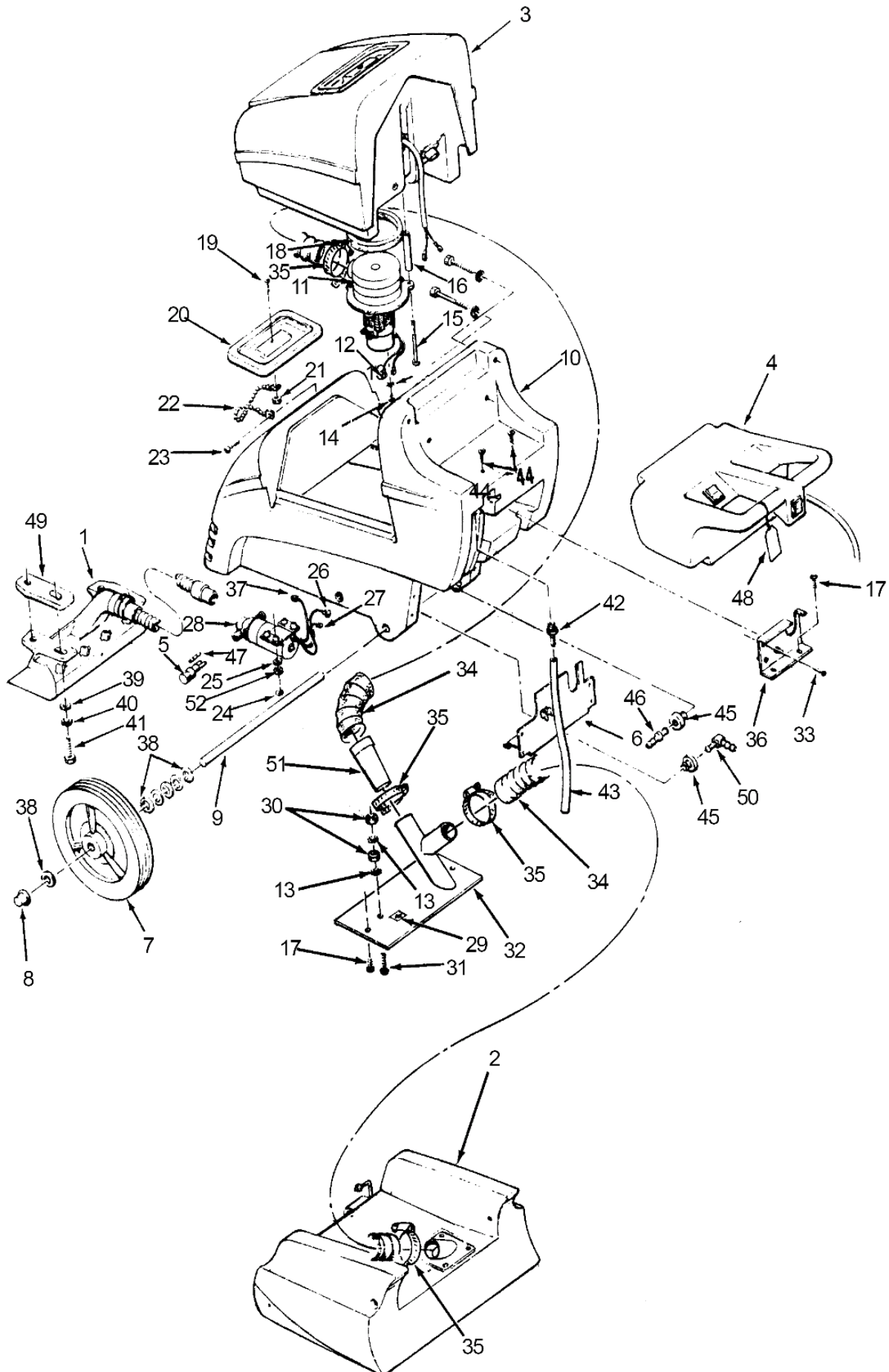
Final assembly IMAGE 20

IMAGE 16, IMAGE 20 230V

14-02-2015

Part List ID
IMAGE1606

8



Final assembly IMAGE 20

IMAGE 16, IMAGE 20 230V

14-02-2015

Part List ID
IMAGE1606

9

| Pos | Part no. | Qty | Description | |
|-----|----------|-----|--------------------------------|-------------------------|
| 1 | | 1 | USE LINK | ASM., RECOVERY SHOE |
| 2 | | 1 | USE LINK | ASM., BRUSH HOUSING |
| 3 | | 1 | USE LINK | ASM., RECOVERY TANK |
| 4 | | 1 | USE LINK | ASM., ELECTRICAL PANEL |
| 5 | 912201 | 1 | FUSE HOLDER 115V | |
| 6 | | 1 | USE LINK | ASM., VALVE SUPPORT |
| 7 | 59947A | 2 | WHEEL 10 X 1.75 X .50 BORE | |
| 8 | 920346 | 2 | PALNUT PW500015 TYPE W | |
| 9 | 67463A | 1 | SHAFT .50 O.D. X 16.8 PLTD | |
| 10 | 30282A | 1 | TANKSOL IMAGE 16/20 ALTO | (INCL. #/ES 45, 46, 50) |
| 11 | 44914A | 1 | MOTORVAC 3-STAGE230VEXT-77 | |
| 12 | 47708A | 2 | TERMINAL 1/4 FIMQD 22-18 GA. | |
| 13 | 980603 | 3 | WASHER LK 10 EXT TOOTHPLTD | |
| 14 | 962546 | 1 | SCR 10 24X 1/2 PN ST TYP23 | |
| 15 | 85736A | 3 | SCREW1/4-20 X 3 3/4 HEX HD SZ | |
| 16 | 58533A | 3 | SPACER VAC MOTOR 3 STG. SUMMI | |
| 17 | 84237A | 4 | SCREW 10-32 X 1/2 PAN HD SS | |
| 18 | 643418 | 1 | GASKET | |
| 19 | 962798 | 1 | SCR 10 24X 1/2 PN SS | |
| 20 | 832322 | 1 | COVER-SOL TANK | |
| 21 | 81110A | 1 | NUT HEX ELASTIC LOCK 10-24 S.S | |
| 22 | 692409 | 1 | CHAIN-COVER 925A | |
| 23 | 85519A | 1 | SCR 1/4 20X 3/8 PN SY TC F | |
| 24 | 962113 | 4 | SCR 10-32X1 RD ST MACH | |
| 25 | 980982 | 4 | WASHER 10 SAE FLAT PLTD | |
| 26 | 911933 | 1 | TERMINALRING- 10 16-14 GAUGE | |
| 27 | 47708A | 1 | TERMINAL 1/4 FIMQD 22-18 GA. | |
| 28 | 45929A | 1 | PUMP 100 PSI BYPASS 230V | |
| 29 | 77094A | 1 | LABEL GROUND SYMBOL | |
| 30 | 920224 | 2 | NUT-10X32 HEX | |
| 31 | 85383A | 1 | SCREW 10-32 X 3/4 PAN HD | |
| 32 | 68784A | 1 | COVER WLDMT LOWER PNTD IMG20 | |
| 33 | 85395A | 1 | SCREW 1/4 20 X 1/2 PAN HD SS | |
| 34 | 674110 | 1 | HOSE | |
| 35 | 872010 | 4 | CLAMP HOSE | |
| 36 | | 1 | USE LINK | ASM.,PLATE, REAR COVER |
| 37 | 41069B | 1 | RELAY-24VDC MINI ISO | |
| 38 | 87607A | 12 | WASHER FLT 1.25X.52X.06 NYLON | |
| 39 | 980651 | 4 | WASHER 5/16 SAE FLAT | |
| 40 | 980652 | 4 | WASHER LK 5/16 REGPLTD | |
| 41 | 85813A | 4 | SCREW 5/16-18 X 1 HX HD | |
| 42 | 53619A | 1 | ADAPTOR 3/8 BARB X 1/4 NPT NYL | |
| 43 | 59322A | 1 | TUBINGCLEAR VINYL 3/8IDX1/2OD | |

Final assembly IMAGE 20

IMAGE 16, IMAGE 20 230V

14-02-2015

Part List ID
IMAGE1606

10

| Pos | Part no. | Qty | Description |
|-----|----------|-----|------------------------------|
| 44 | 171112 | 2 | SCREW 1/4 20 X 3/4 |
| 45 | 51518A | 2 | BUSHING HOSE CONNECTOR |
| 46 | 52414A | 1 | HOSEBARB 3/8 STRAIGHT |
| 47 | 42910A | 1 | FUSE 0.8 AMP 250V SLO BLOW |
| 48 | 699203 | 1 | TAG CAUTION |
| 49 | 67897A | 2 | SPACERRECOVERY TOOL IMAGE 16 |
| 50 | 51526A | 1 | HOSEBARB 3/8 X 90 DEG |
| 51 | 39502A | 1 | VENTURI 1.25 O.D. IMAGE 20 |
| 52 | 980650 | 4 | WASH .19 x .34 x .04 LOCK |
| NI | 16530A | 1 | LITERATURE KIT IMAGE 20 |
| NI | 699202 | 6 | TIE-WIRE 935A |

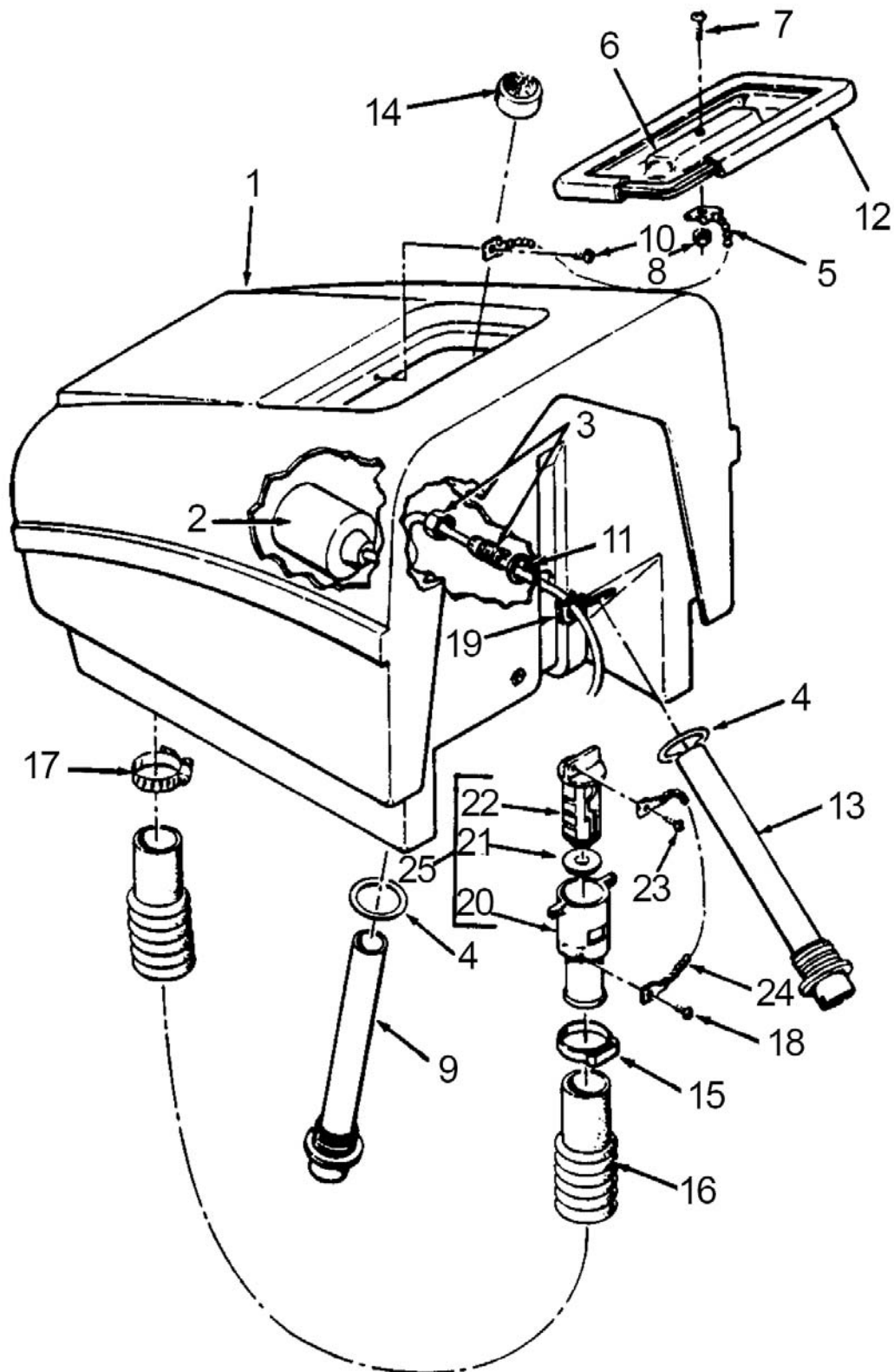
Recovery tank IMAGE 16

IMAGE 16, IMAGE 20 230V

14-02-2015

Part List ID
IMAGE1608

11



Recovery tank IMAGE 16

IMAGE 16, IMAGE 20 230V

14-02-2015

Part List ID
IMAGE1608

12

| Pos | Part no. | Qty | Description |
|-----|----------|-----|--------------------------------|
| 1 | 30279A | 1 | TANKREC IMAGE 16/20 CLARKE |
| 2 | 47419A | 1 | SWITCH FLOAT IMAGE 16 |
| 3 | 56459A | 1 | STRAIN RELIEF EXT-771 PBII |
| 4 | 837304 | 2 | O RING RETAINER PAPER BAG |
| 5 | 692409 | 1 | CHAIN-COVER 925A |
| 6 | 832322 | 1 | COVER-SOL TANK |
| 7 | 962798 | 1 | SCR 10 24X 1/2 PN SS |
| 8 | 81110A | 1 | NUT HEX ELASTIC LOCK 10-24 S.S |
| 9 | 39326A | 1 | TUBE VACUUM IMAGE 7 |
| 10 | 85519A | 1 | SCR 1/4 20X 3/8 PN SY TC F |
| 11 | 59877A | 1 | WASHER 1/2 NPT SEALING |
| 12 | 34256B | 1 | GASKET REC IMAGE EXT 441 |
| 13 | 39327A | 1 | TUBE RECOVERY IMAGE 7 |
| 14 | 56476A | 1 | STRAINER VACUUM 32 DLX |
| 15 | 832002 | 1 | CLAMP NYLON HOSE |
| 16 | 30431A | 1 | HOSE DRAIN IMAGE 16 |
| 17 | 752020 | 1 | CLAMP 450 SHAMPOOER VAC |
| 18 | 962958 | 1 | SCREW 8-18 X 1/2 PN |
| 19 | 82100A | 1 | LOCKNUT 1/2 CONDUIT |
| 20 | 839401 | 1 | VALVE-DRAIN |
| 21 | 833407 | 1 | GASKET-DRAIN |
| 22 | 833901 | 1 | HANDLE-DRAIN VALVE |
| 23 | 962987 | 1 | SCR 10 24X 3/8 PN ST TYP23 |
| 24 | 52206A | 1 | CHAIN COVER AUTOSCRUBER |
| 25 | 839410 | 1 | VALVE ASM-SOLUTION DRAIN |

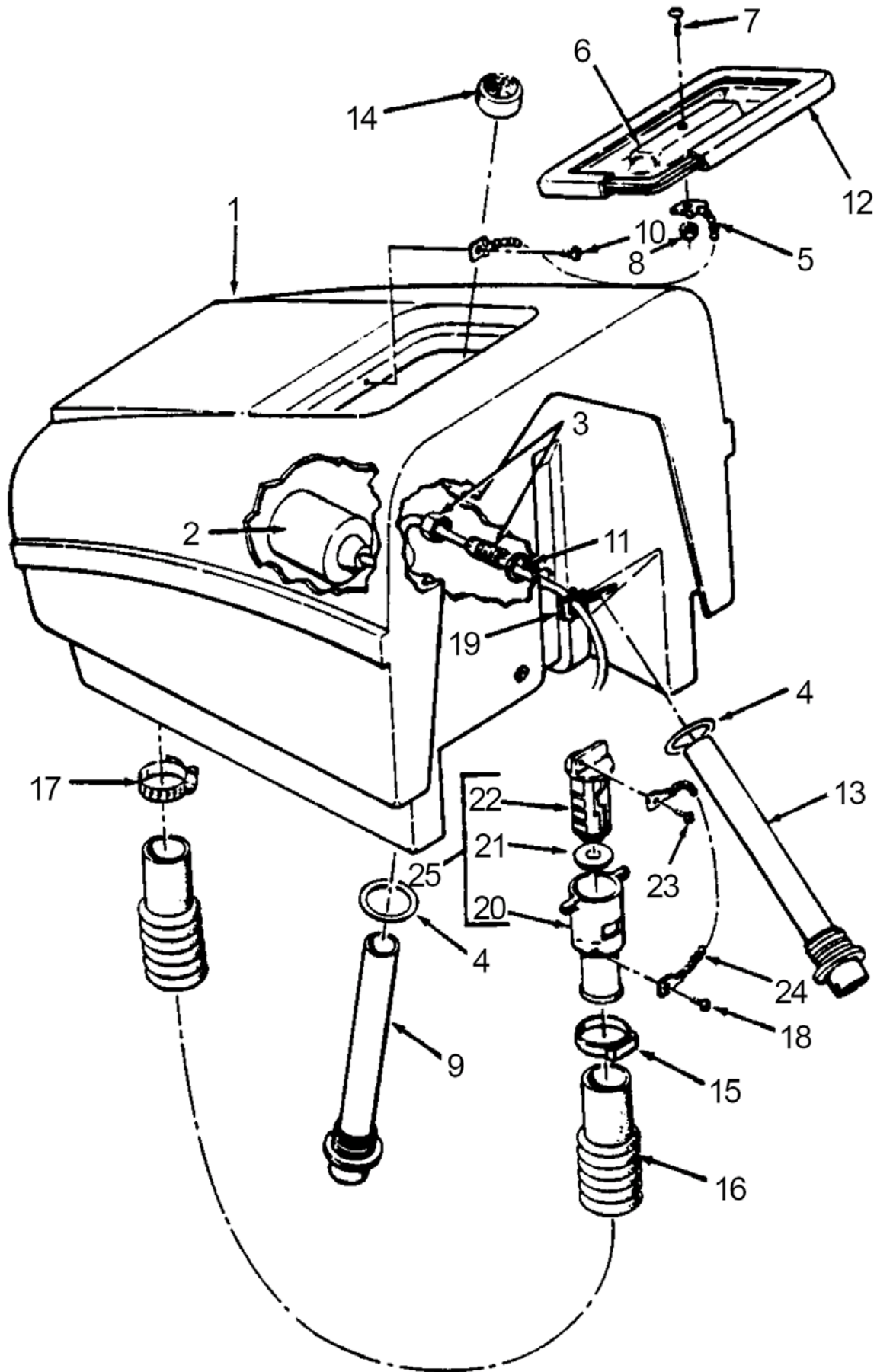
Recovery tank IMAGE 20

IMAGE 16, IMAGE 20 230V

14-02-2015

Part List ID
IMAGE1610

13



Recovery tank IMAGE 20

IMAGE 16, IMAGE 20 230V

14-02-2015

Part List ID
IMAGE1610

14

| Pos | Part no. | Qty | Description |
|-----|----------|-----|--------------------------------|
| 1 | 30279A | 1 | TANKREC IMAGE 16/20 CLARKE |
| 2 | 47419A | 1 | SWITCH FLOAT IMAGE 16 |
| 3 | 56459A | 1 | STRAIN RELIEF EXT-771 PBII |
| 4 | 837304 | 2 | O RING RETAINER PAPER BAG |
| 5 | 692409 | 1 | CHAIN-COVER 925A |
| 6 | 832322 | 1 | COVER-SOL TANK |
| 7 | 962798 | 1 | SCR 10 24X 1/2 PN SS |
| 8 | 81110A | 1 | NUT HEX ELASTIC LOCK 10-24 S.S |
| 9 | 39326A | 1 | TUBE VACUUM IMAGE 7 |
| 10 | 85519A | 1 | SCR 1/4 20X 3/8 PN SY TC F |
| 11 | 59877A | 1 | WASHER 1/2 NPT SEALING |
| 12 | 34256B | 1 | GASKET REC IMAGE EXT 441 |
| 13 | 39327A | 1 | TUBE RECOVERY IMAGE 7 |
| 14 | 56476A | 1 | STRAINER VACUUM 32 DLX |
| 15 | 832002 | 1 | CLAMP NYLON HOSE |
| 16 | 30431A | 1 | HOSE DRAIN IMAGE 16 |
| 17 | 752020 | 1 | CLAMP 450 SHAMPOOER VAC |
| 18 | 962958 | 1 | SCREW 8-18 X 1/2 PN |
| 19 | 82100A | 1 | LOCKNUT 1/2 CONDUIT |
| 20 | 839401 | 1 | VALVE-DRAIN |
| 21 | 833407 | 1 | GASKET-DRAIN |
| 22 | 833901 | 1 | HANDLE-DRAIN VALVE |
| 23 | 962987 | 1 | SCR 10 24X 3/8 PN ST TYP23 |
| 24 | 52206A | 1 | CHAIN COVER AUTOSCRUBER |
| 25 | 839410 | 1 | VALVE ASM-SOLUTION DRAIN |

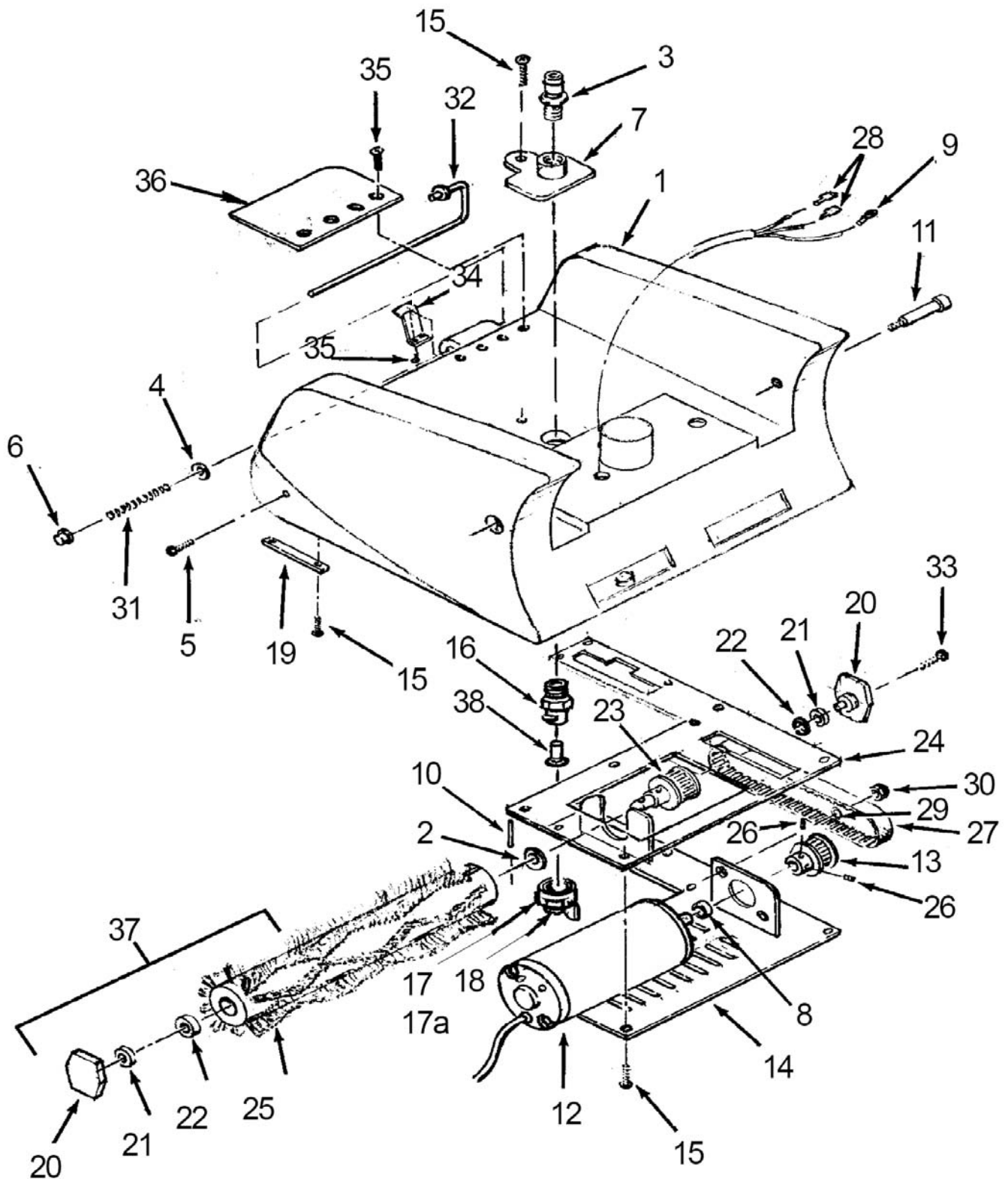
Brush housing IMAGE 16

IMAGE 16, IMAGE 20 230V

14-02-2015

Part List ID
IMAGE1612

15



Brush housing IMAGE 16

IMAGE 16, IMAGE 20 230V

14-02-2015

Part List ID
IMAGE1612

16

| Pos | Part no. | Qty | Description | |
|-----|----------|-----|-------------------------------|--|
| 1 | 35231A | 1 | HOUSING BRUSH IMAGE 16 | |
| 2 | 980202 | 1 | WASHER-WAVE | |
| 3 | 52654A | 1 | COUPLING MALE Q.D. IMAGE 7 | |
| 4 | 87026A | 1 | WASHER .250 FLAT SS | |
| 5 | 85521A | 1 | SCREW10-24 X 1/2 PAN HD SS | |
| 6 | 81104A | 1 | NUT 1/4 20 ESNA TYPE SS | |
| 7 | 68775A | 1 | PLATE WLDMT NOZZLE IMAGE 16 | |
| 8 | 58517A | 1 | SPACERMOTOREXT 441/771 PB II | |
| 9 | 47807A | 1 | TERMINAL 10 IRTIS 16 14 GA | |
| 10 | 925549 | 1 | PIN-3/16X1 1/2 ROLL | |
| 11 | 960970 | 2 | BOLT SHOULDER 3/8 X 1 1/2 | |
| 12 | 45024D | 1 | MOTOR BRUSH IMAGE 16 230 | |
| 13 | 57268A | 1 | PULLEY TIMING 1/5 PITCH 16T | |
| 14 | 68666B | 1 | PLATE WLDMT BRUSH HSG IMG 16 | |
| 15 | 84237A | 12 | SCREW 10-32 X 1/2 PAN HD SS | |
| 16 | 54880A | 1 | HOUSINGSPRAY NOZZLE | |
| 17 | 54339A | 1 | CAP W/GASKET ASM EXT2100 | |
| 18 | 54155A | 1 | NOZZLE TEEJET 2 X 150 DEG BR | |
| 19 | 66970A | 1 | RETAINER BRUSH IMAGE 7 | |
| 20 | 66188C | 2 | PIVOT BRUSH SS ASM IM 16/20 | |
| 21 | 53047A | 2 | SEAL SINGLE LIP W/SPG 5/8 ID | |
| 23 | 66187B | 1 | SPROCKET 28T DRIVE PIN IMG 16 | |
| 24 | 34273A | 1 | GASKET BRUSH HSG IMAGE 16 | |
| 25 | 63059A | 1 | BRUSH RESTORATIVE IMAGE 7 | |
| 26 | 962628 | 2 | SCR 8-32X 3/16 ST ST CUPPT | |
| 27 | 50909A | 1 | BELT-BRUSH DRIVE EXT 771/441 | |
| 28 | 47701A | 2 | TERMINAL 1/4 FIFQD 16-14 GA. | |
| 29 | 980603 | 2 | WASHER LK 10 EXT TOOTHPLTD | |
| 30 | 920224 | 2 | NUT-10X32 HEX | |
| 31 | 628382 | 1 | SPRING ROD RETURN 575 | |
| 32 | 67148B | 1 | ROD BRUSH ADJ. IMAGE 16 | |
| 33 | 85605A | 1 | SCREW 10-24 X 3/4 PN HD SS | |
| 34 | 63071A | 1 | BRACKET BRUSH STOP IMAGE 16 | |
| 35 | 85903A | 6 | SCREW 10-00X1/2 PN HD TYPE A | |
| 36 | 38404A | 1 | SHIELD BRUSH DEFLECTOR IMG 16 | |
| 37 | 14657A | 1 | RESTORATION BRUSH KIT IMG 16 | KIT, RESTORATION, BRUSH INCLUDES ONE EACH OF: (#20 |
| NI | 699202 | 2 | TIE-WIRE 935A | |
| 17A | 30042A | 1 | GASKETSPRAYVITON IMAGE 16 20 | |
| 25A | 63060A | 1 | BRUSH MAINTENANCE IMAGE 7 | |
| 37A | 14671A | 1 | BRUSH ASM.INTERIM IMAGE 16 | KIT, INTERIM BRUSH INCLUDES ONE EACH OF: (#20, 21, |

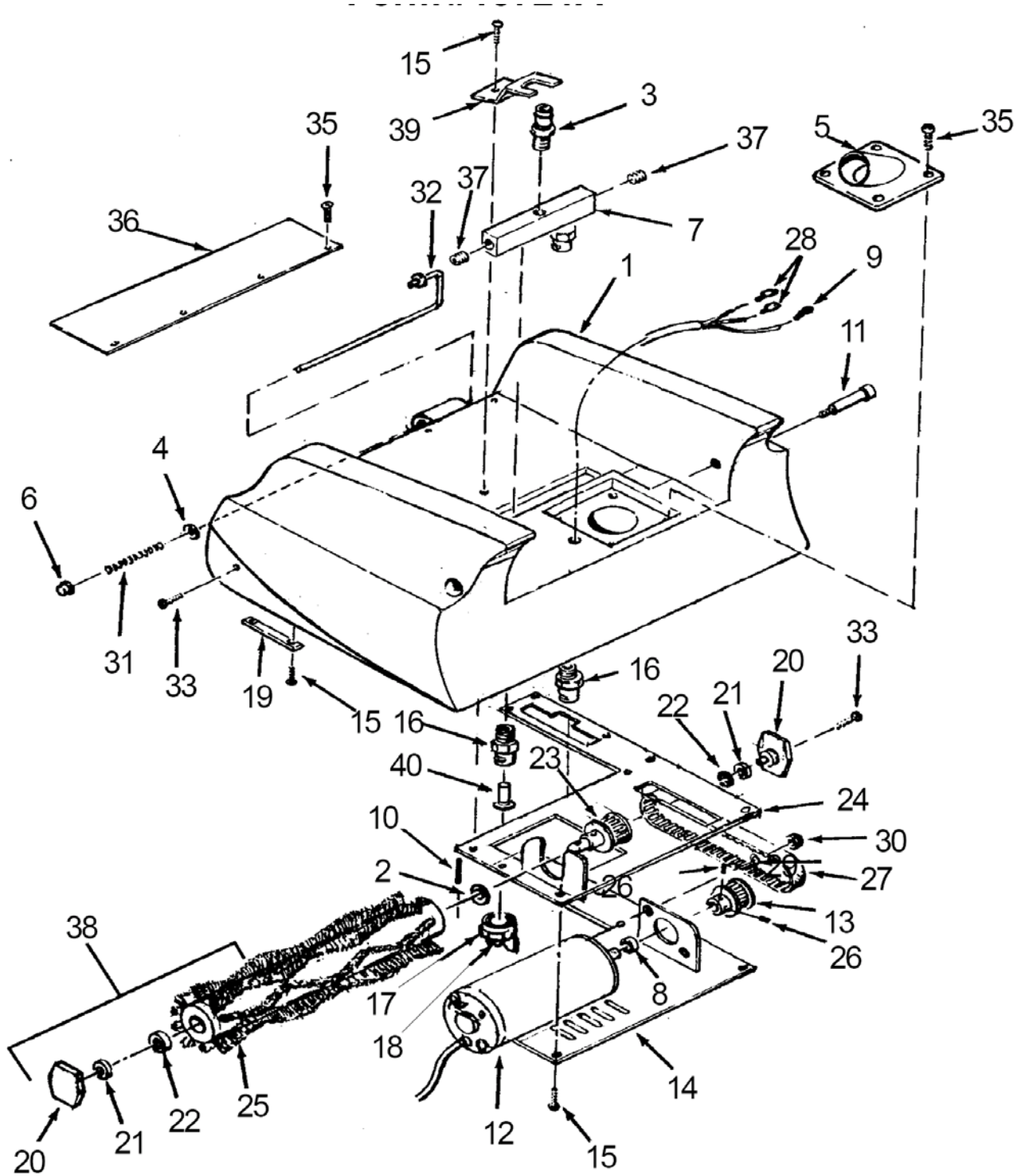
Brush housing IMAGE 20

IMAGE 16, IMAGE 20 230V

14-02-2015

Part List ID
IMAGE1614

17



Brush housing IMAGE 20

IMAGE 16, IMAGE 20 230V

14-02-2015

Part List ID
IMAGE1614

18

| Pos | Part no. | Qty | Description |
|-----|----------|-----|--|
| 1 | 35229A | 1 | HOUSING BRUSH IMAGE 20 |
| 2 | 980202 | 1 | WASHER-WAVE |
| 3 | 52654A | 1 | COUPLING MALE Q.D. IMAGE 7 |
| 4 | 87026A | 1 | WASHER .250 FLAT SS |
| 5 | 68782A | 1 | EXHAUST WLDMT BRUSH HSG PNTD |
| 6 | 81104A | 1 | NUT 1/4 20 ESNA TYPE SS |
| 7 | 36504A | 1 | MANIFOLD BRUSH HSG. IMAGE 7 |
| 8 | 58517A | 1 | SPACERMOTOREXT 441/771 PB II |
| 9 | 47807A | 1 | TERMINAL 10 IRTIS 16 14 GA |
| 10 | 925549 | 1 | PIN-3/16X1 1/2 ROLL |
| 11 | 80035B | 2 | BOLT SHOULDER 3/8 X 1 1/4 |
| 12 | 45042A | 1 | MOTOR BRUSH 1/3 HP 230V |
| 13 | 57268A | 1 | PULLEY TIMING 1/5 PITCH 16T |
| 14 | 64222A | 1 | PLATE WLDMT BRUSH HSG IMG 20 |
| 15 | 84237A | 13 | SCREW 10-32 X 1/2 PAN HD SS |
| 16 | 54880A | 2 | HOUSINGSPRAY NOZZLE |
| 17 | 54339A | 2 | CAP W/GASKET ASM EXT2100 |
| 18 | 54165A | 2 | NOZZLE TEEJET IMAGE 20 |
| 19 | 66970A | 1 | RETAINER BRUSH IMAGE 7 |
| 20 | 66188C | 2 | PIVOT BRUSH SS ASM IM 16/20 |
| 21 | 53047A | 2 | SEAL SINGLE LIP W/SPG 5/8 ID |
| 22 | 902648 | 2 | BRG-BALL RADIAL DBL SEAL |
| 23 | 66187B | 1 | SPROCKET 28T DRIVE PIN IMG 16 |
| 24 | 34278A | 1 | GASKETBRUSH HOUSING IMAGE 20 |
| 25 | 63080A | 1 | BRUSH RESTORATION IMAGE 20 |
| 26 | 962628 | 2 | SCR 8-32X 3/16 ST ST CUPPT |
| 27 | 50909A | 1 | BELT-BRUSH DRIVE EXT 771/441 |
| 28 | 47701A | 2 | TERMINAL 1/4 FIFQD 16-14 GA. |
| 29 | 980603 | 2 | WASHER LK 10 EXT TOOTHPLTD |
| 30 | 920224 | 2 | NUT-10X32 HEX |
| 31 | 628382 | 1 | SPRING ROD RETURN 575 |
| 32 | 67159A | 1 | ROD BRUSH ADJ. IMAGE 20 |
| 33 | 85605A | 2 | SCREW 10-24 X 3/4 PN HD SS |
| 35 | 85903A | 8 | SCREW 10-00X1/2 PN HD TYPE A |
| 36 | 38404A | 1 | SHIELD BRUSH DEFLECTOR IMG 16 |
| 37 | 696801 | 2 | PLUG-1/4 RECESSED PIPE |
| 38 | 14678A | 1 | BRUSH RESTORATION KIT IMG 20 (#20, 21, 22, 25) |
| 39 | 69819A | 1 | BRACKET MANIFOLD RETAINER |
| 40 | 30076A | 2 | STRAINER SPRAY JET PLASTIC |
| NI | 699202 | 2 | TIE-WIRE 935A |
| 18A | 30042A | 2 | GASKETSPRAYVITON IMAGE 16 20 |
| 25A | 63081A | 1 | BRUSHMAINTENANCE IMAGE 20 |
| 38A | 14679A | 1 | BRUSH ASM INTERIM IMAGE 20 (# 20, 21, 22, 25A) |

Electric parts IMAGE 16I

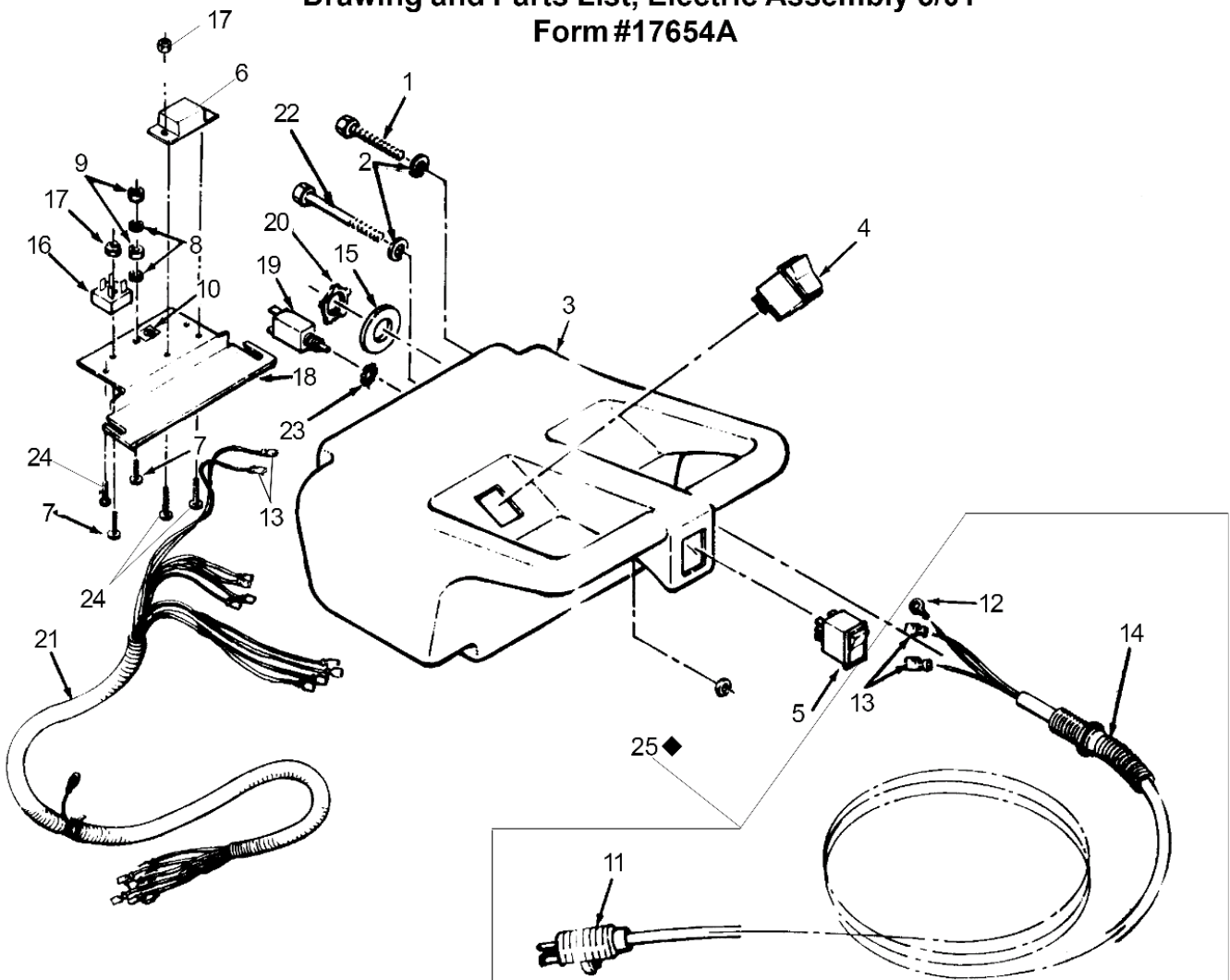
IMAGE 16, IMAGE 20 230V

14-02-2015

Part List ID
IMAGE1616

19

Drawing and Parts List, Electric Assembly 5/01 Form #17654A



Electric parts IMAGE 16I

IMAGE 16, IMAGE 20 230V

14-02-2015

Part List ID
IMAGE1616

20

| Pos | Part no. | Qty | Description |
|-----|----------|-----|--|
| 1 | 85815A | 2 | SCREW 5/16-18 X 1.50 HEX HEAD |
| 2 | 980692 | 4 | WASHER 5/16 FLAT SS |
| 3 | 34809B | 1 | HANDLECONTROL IMAGE16/20 BLUE |
| 4 | 47411A | 1 | SWITCH DPST NON ILLUM IMAGE 1 |
| 5 | 47412A | 1 | SWITCH DPST 3 POS. IMAGE 16 |
| 6 | 47201A | 1 | SUPPRESSOR RF 8A IMAGE 14 |
| 7 | 85383A | 2 | SCREW 10-32 X 3/4 PAN HD |
| 8 | 980603 | 2 | WASHER LK 10 EXT TOOTHPLTD |
| 9 | 920224 | 2 | NUT-10X32 HEX |
| 10 | 77094A | 1 | LABEL GROUND SYMBOL |
| 11 | 42235A | 1 | CORD HO5VV F3G1.5 36FT GRAY |
| 12 | 170687 | 1 | TERM 10 RING 14/16G |
| 13 | 47711A | 5 | TERMINAL1/4 FIFQD 16/14 GA |
| 14 | 58013A | 1 | STRAIN RELIEF EXT-771 |
| 15 | 170870 | 1 | WASHERFLAT7/8 SAEPLAIN |
| 16 | 46103A | 1 | RECTIFIER BRIDGE EXT 771/441 |
| 17 | 920722 | 3 | NUT 10-32 ELASTIC STOP ZN.PL. |
| 18 | 68776A | 1 | PANEL WLDMTSUPPORTNTDIMAGE16 |
| 19 | 41449A | 1 | BREAKERCIRCUIT .6A 230V |
| 20 | 82100A | 1 | LOCKNUT 1/2 CONDUIT |
| 21 | 49727B | 1 | HARNESSWIRE IMAGE 16IX |
| 22 | 962308 | 2 | SCR 5/16 18X2 1/4 HX ST |
| 23 | 980666 | 1 | WASHER 3/8 EXT. STAR |
| 24 | 84237A | 4 | SCREW 10-32 X 1/2 PAN HD SS |
| 25 | 40149A | 1 | CORD ASM POWER 36FT 230V 230V (INCLUDES 11, 12, 13, 14) |
| NI | 699202 | 1 | TIE-WIRE 935A |

Electric parts IMAGE 16IX

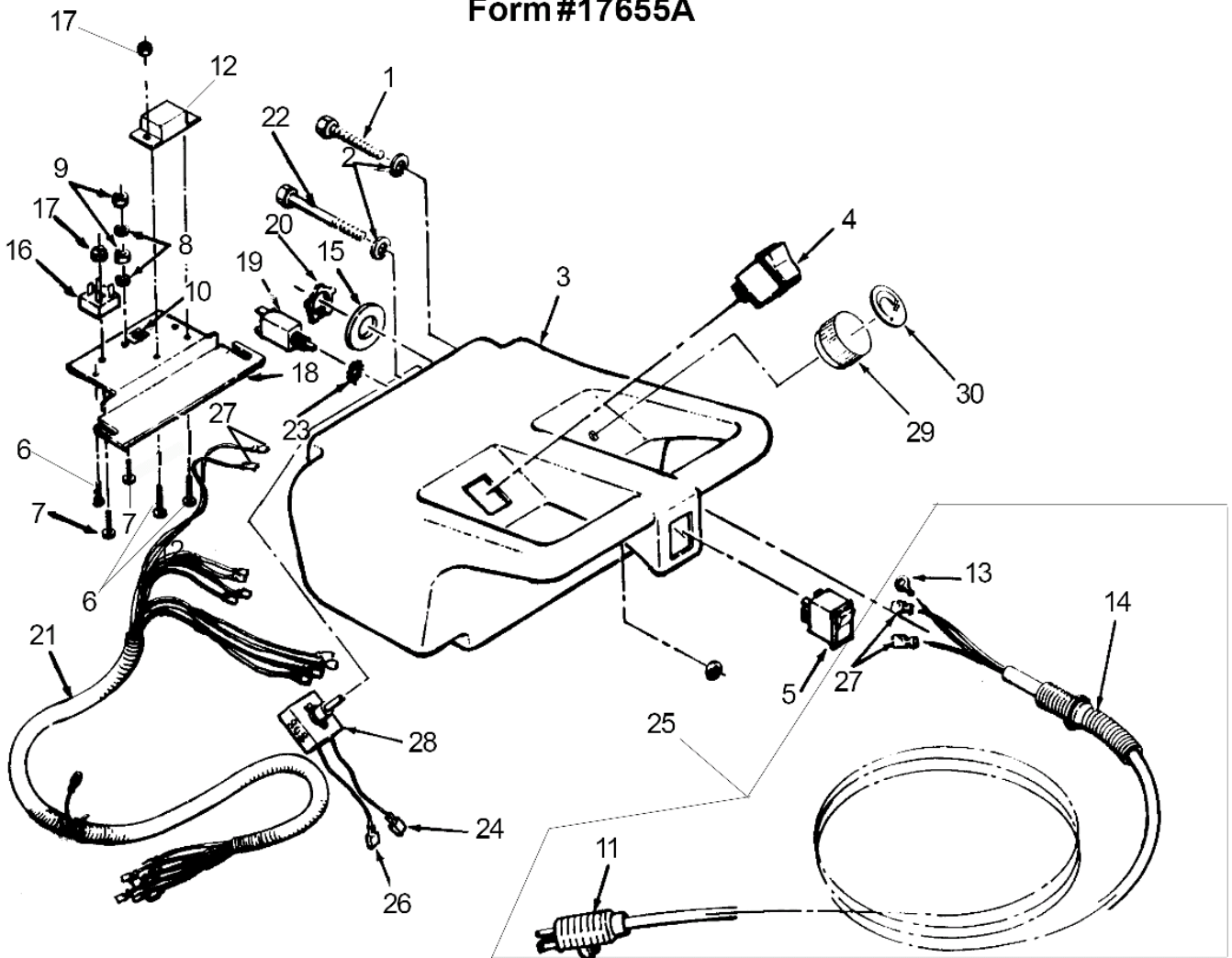
IMAGE 16, IMAGE 20 230V

14-02-2015

Part List ID
IMAGE1618

21

Drawing and Parts List, Electric Assembly 5/01 Form #17655A



Electric parts IMAGE 16IX

IMAGE 16, IMAGE 20 230V

14-02-2015

Part List ID
IMAGE1618

22

| Pos | Part no. | Qty | Description |
|-----|----------|-----|--------------------------------|
| 1 | 85815A | 2 | SCREW 5/16-18 X 1.50 HEX HEAD |
| 2 | 980692 | 4 | WASHER 5/16 FLAT SS |
| 3 | 34809B | 1 | HANDLECONTROL IMAGE16/20 BLUE |
| 4 | 47411A | 1 | SWITCH DPST NON ILLUM IMAGE 1 |
| 5 | 47412A | 1 | SWITCH DPST 3 POS. IMAGE 16 |
| 6 | 84237A | 4 | SCREW 10-32 X 1/2 PAN HD SS |
| 7 | 85383A | 2 | SCREW 10-32 X 3/4 PAN HD |
| 8 | 980603 | 2 | WASHER LK 10 EXT TOOTHPLTD |
| 9 | 920224 | 2 | NUT-10X32 HEX |
| 10 | 77094A | 1 | LABEL GROUND SYMBOL |
| 11 | 42237A | 1 | CORD HO5VV F3G1.5 75FT GRAY |
| 12 | 47201A | 1 | SUPPRESSOR RF 8A IMAGE 14 |
| 13 | 170687 | 1 | TERM 10 RING 14/16G |
| 14 | 58013A | 1 | STRAIN RELIEF EXT-771 |
| 15 | 170870 | 1 | WASHERFLAT7/8 SAEPLAIN |
| 16 | 46103A | 1 | RECTIFIER BRIDGE EXT 771/441 |
| 17 | 920722 | 3 | NUT 10-32 ELASTIC STOP ZN.PL. |
| 18 | 68776A | 1 | PANEL WLDMTSUPPTPNTDIMAGE16 |
| 19 | 41449A | 1 | BREAKERCIRCUIT .6A 230V |
| 20 | 82100A | 1 | LOCKNUT 1/2 CONDUIT |
| 21 | 49727B | 1 | HARNESSWIRE IMAGE 16IX |
| 22 | 962308 | 2 | SCR 5/16 18X2 1/4 HX ST |
| 23 | 980666 | 1 | WASHER 3/8 EXT. STAR |
| 24 | 41069B | 1 | RELAY-24VDC MINI ISO |
| 25 | 40150A | 1 | CORD ASM POWER 75FT 230V |
| 26 | 47708A | 1 | TERMINAL 1/4 FIMQD 22-18 GA. |
| 27 | 47711A | 5 | TERMINAL1/4 FIFQD 16/14 GA |
| 28 | 52505A | 1 | CONTROL SPEED VARIABLE 230V |
| 29 | 55502A | 1 | KNOB-SPEED CONTROL+TEMP CONTRL |
| 30 | 77187C | 1 | LABEL INCREASE IMAGE 16 |
| NI | 699202 | 1 | TIE-WIRE 935A |

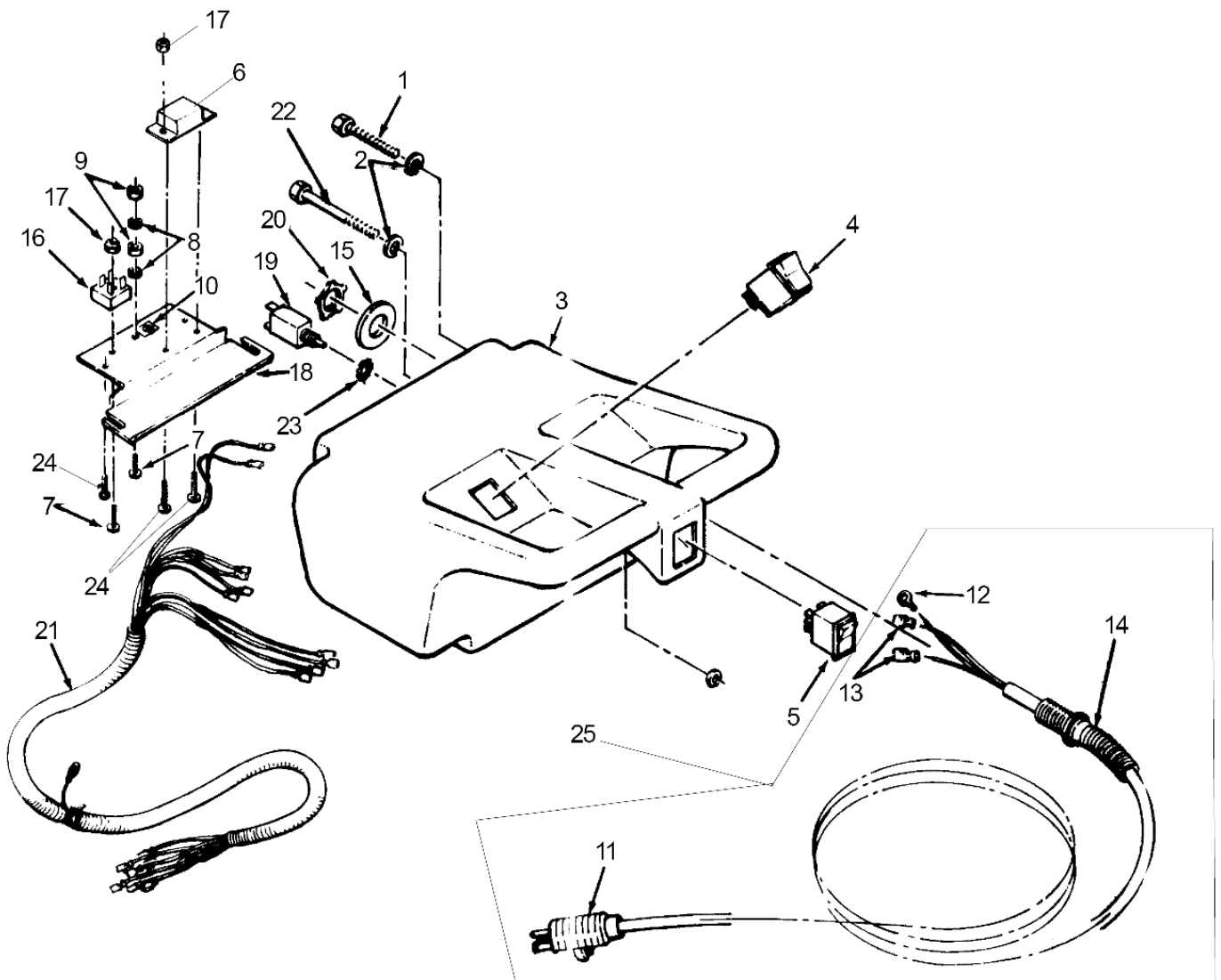
Electric parts IMAGE 20I

IMAGE 16, IMAGE 20 230V

14-02-2015

Part List ID
IMAGE1620

23



Electric parts IMAGE 20I

IMAGE 16, IMAGE 20 230V

14-02-2015

Part List ID
IMAGE1620

24

| Pos | Part no. | Qty | Description |
|-----|----------|-----|--|
| 1 | 85815A | 2 | SCREW 5/16-18 X 1.50 HEX HEAD |
| 2 | 980692 | 4 | WASHER 5/16 FLAT SS |
| 3 | 34809B | 1 | HANDLECONTROL IMAGE16/20 BLUE |
| 4 | 47411A | 1 | SWITCH DPST NON ILLUM IMAGE 1 |
| 5 | 47412A | 1 | SWITCH DPST 3 POS. IMAGE 16 |
| 6 | 47201A | 1 | SUPPRESSOR RF 8A IMAGE 14 |
| 7 | 85383A | 2 | SCREW 10-32 X 3/4 PAN HD |
| 8 | 980603 | 2 | WASHER LK 10 EXT TOOTHPLTD |
| 9 | 920224 | 2 | NUT-10X32 HEX |
| 10 | 77094A | 1 | LABEL GROUND SYMBOL |
| 11 | 42235A | 1 | CORD HO5VV F3G1.5 36FT GRAY |
| 12 | 170687 | 1 | TERM 10 RING 14/16G |
| 13 | 47711A | 5 | TERMINAL1/4 FIFQD 16/14 GA |
| 14 | 58013A | 1 | STRAIN RELIEF EXT-771 |
| 15 | 170870 | 1 | WASHERFLAT7/8 SAEPLAIN |
| 16 | 46103A | 1 | RECTIFIER BRIDGE EXT 771/441 |
| 17 | 920722 | 3 | NUT 10-32 ELASTIC STOP ZN.PL. |
| 18 | 68776A | 1 | PANEL WLDMTSUPPORTNTDIMAGE16 |
| 19 | 41435C | 1 | BREAKERCIRCUIT1.25AQD.25ST |
| 20 | 82100A | 1 | LOCKNUT 1/2 CONDUIT |
| 21 | 49727B | 1 | HARNESSWIRE IMAGE 16IX |
| 22 | 962308 | 2 | SCR 5/16 18X2 1/4 HX ST |
| 23 | 980666 | 1 | WASHER 3/8 EXT. STAR |
| 24 | 84237A | 4 | SCREW 10-32 X 1/2 PAN HD SS |
| 25 | 40149A | 1 | CORD ASM POWER 36FT 230V 230V (INCL. 11,12,13,14) |
| NI | 699202 | 1 | TIE-WIRE 935A |

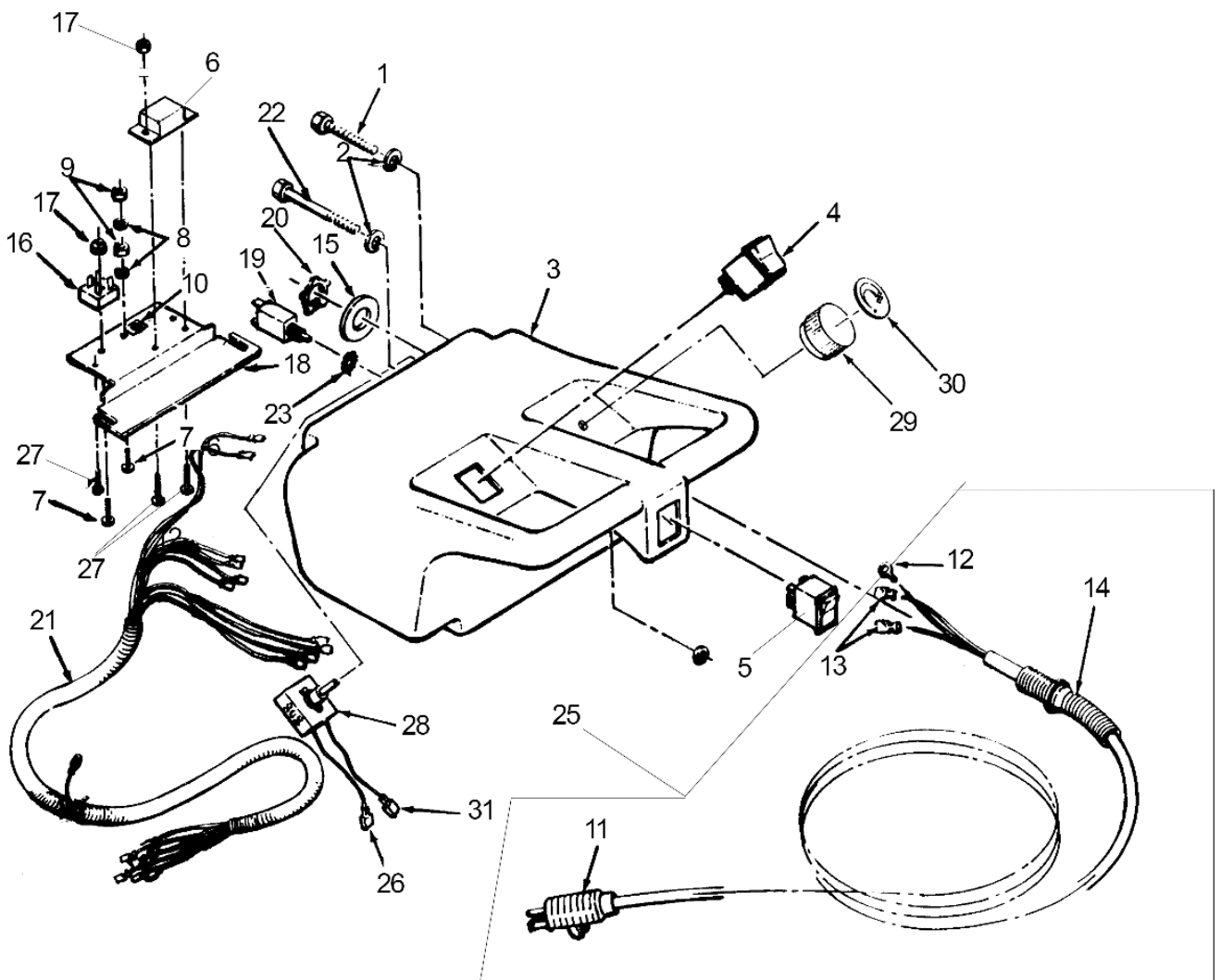
Electric parts IMAGE 20IX

IMAGE 16, IMAGE 20 230V

14-02-2015

Part List ID
IMAGE1622

25



Electric parts IMAGE 20IX

IMAGE 16, IMAGE 20 230V

14-02-2015

Part List ID
IMAGE16ZZ

26

| Pos | Part no. | Qty | Description |
|-----|----------|-----|--------------------------------|
| 1 | 85815A | 2 | SCREW 5/16-18 X 1.50 HEX HEAD |
| 2 | 980692 | 4 | WASHER 5/16 FLAT SS |
| 3 | 34809B | 1 | HANDLECONTROL IMAGE16/20 BLUE |
| 4 | 47411A | 1 | SWITCH DPST NON ILLUM IMAGE 1 |
| 5 | 47412A | 1 | SWITCH DPST 3 POS. IMAGE 16 |
| 6 | 47201A | 1 | SUPPRESSOR RF 8A IMAGE 14 |
| 7 | 85383A | 2 | SCREW 10-32 X 3/4 PAN HD |
| 8 | 980603 | 2 | WASHER LK 10 EXT TOOTHPLTD |
| 9 | 920224 | 2 | NUT-10X32 HEX |
| 10 | 77094A | 1 | LABEL GROUND SYMBOL |
| 11 | 42237A | 1 | CORD HO5VV F3G1.5 75FT GRAY |
| 12 | 170687 | 1 | TERM 10 RING 14/16G |
| 13 | 47711A | 5 | TERMINAL1/4 FIFQD 16/14 GA |
| 14 | 58013A | 1 | STRAIN RELIEF EXT-771 |
| 15 | 170870 | 1 | WASHERFLAT7/8 SAEPLAIN |
| 16 | 46103A | 1 | RECTIFIER BRIDGE EXT 771/441 |
| 17 | 920722 | 3 | NUT 10-32 ELASTIC STOP ZN.PL. |
| 18 | 68776A | 1 | PANEL WLDMTSUPPTPNTDIMAGE16 |
| 19 | 41435C | 1 | BREAKERCIRCUIT1.25AQD.25ST |
| 20 | 82100A | 1 | LOCKNUT 1/2 CONDUIT |
| 21 | 49727B | 1 | HARNESSWIRE IMAGE 16IX |
| 22 | 962308 | 2 | SCR 5/16 18X2 1/4 HX ST |
| 23 | 980666 | 1 | WASHER 3/8 EXT. STAR |
| 25 | 40150A | 1 | CORD ASM POWER 75FT 230V |
| 26 | 47708A | 1 | TERMINAL 1/4 FIMQD 22-18 GA. |
| 27 | 84237A | 4 | SCREW 10-32 X 1/2 PAN HD SS |
| 28 | 52505A | 1 | CONTROL SPEED VARIABLE 230V |
| 29 | 55502A | 1 | KNOB-SPEED CONTROL+TEMP CONTRL |
| 30 | 77187C | 1 | LABEL INCREASE IMAGE 16 |
| 31 | 41069B | 1 | RELAY -24VDC MINI ISO |
| NI | 699202 | 1 | TIE-WIRE 935A |

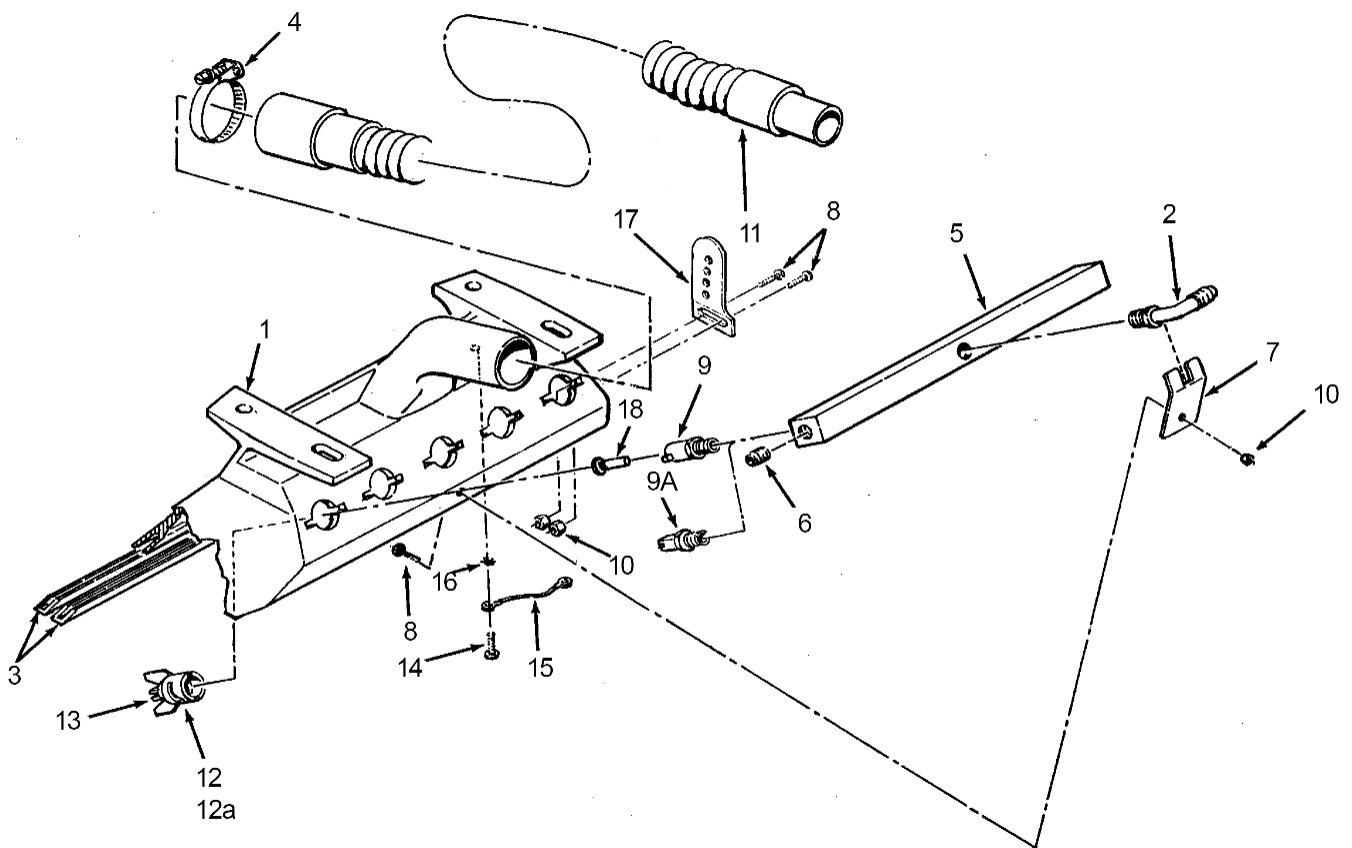
Recovery shoe IMAGE 16

IMAGE 16, IMAGE 20 230V

14-02-2015

Part List ID
IMAGE1624

27



Recovery shoe IMAGE 16

IMAGE 16, IMAGE 20 230V

14-02-2015

Part List ID
IMAGE1624

28

| Pos | Part no. | Qty | Description | |
|-----|----------|-----|--------------------------------|----|
| 1 | 28204B | 1 | TOOL RECOVERY PNTD IMG-16 | |
| 2 | 53607A | 1 | ELBOW-1/4 NPT X 3/8 HOSE | |
| 3 | 67615A | 2 | SHOE RECOVERY TOOLSS IMG 16 | |
| 4 | 872010 | 1 | CLAMP HOSE | |
| 5 | 36505A | 1 | MANIFOLDSPRAY IMAGE 16 | |
| 6 | 696801 | 2 | PLUG-1/4 RECESSED PIPE | |
| 7 | 63063A | 1 | BRACKET MANIFOLD RETAINING I | |
| 8 | 962798 | 3 | SCR 10 24X 1/2 PN SS | |
| 9 | 54880A | 4 | HOUSINGSPRAY NOZZLE | |
| 10 | 81110A | 3 | NUT HEX ELASTIC LOCK 10-24 S.S | |
| 11 | 30426A | 1 | HOSE RECOVERY 2 CUFF X 1 1/ | |
| 12 | 54339A | 4 | CAP W/GASKET ASM EXT2100 | IX |
| 13 | 54157A | 4 | NOZZLE TEEJET 1 X 110 DEG BR | IX |
| 14 | 962333 | 1 | SCREW 10-32 X 1/4 PN ST PH | |
| 16 | 980603 | 1 | WASHER LK 10 EXT TOOTHPLTD | |
| 17 | 63061C | 1 | BRACKET BRUSH PIVOT IMAGE 20 | |
| 18 | 30076A | 4 | STRAINER SPRAY JET PLASTIC | IX |
| 9A | 54164A | 4 | NOZZLE1/4 MPT 110 DEG. X 1.5 | I |
| 12A | 30042A | 4 | GASKETSPRAYVITON IMAGE 16 20 | IX |

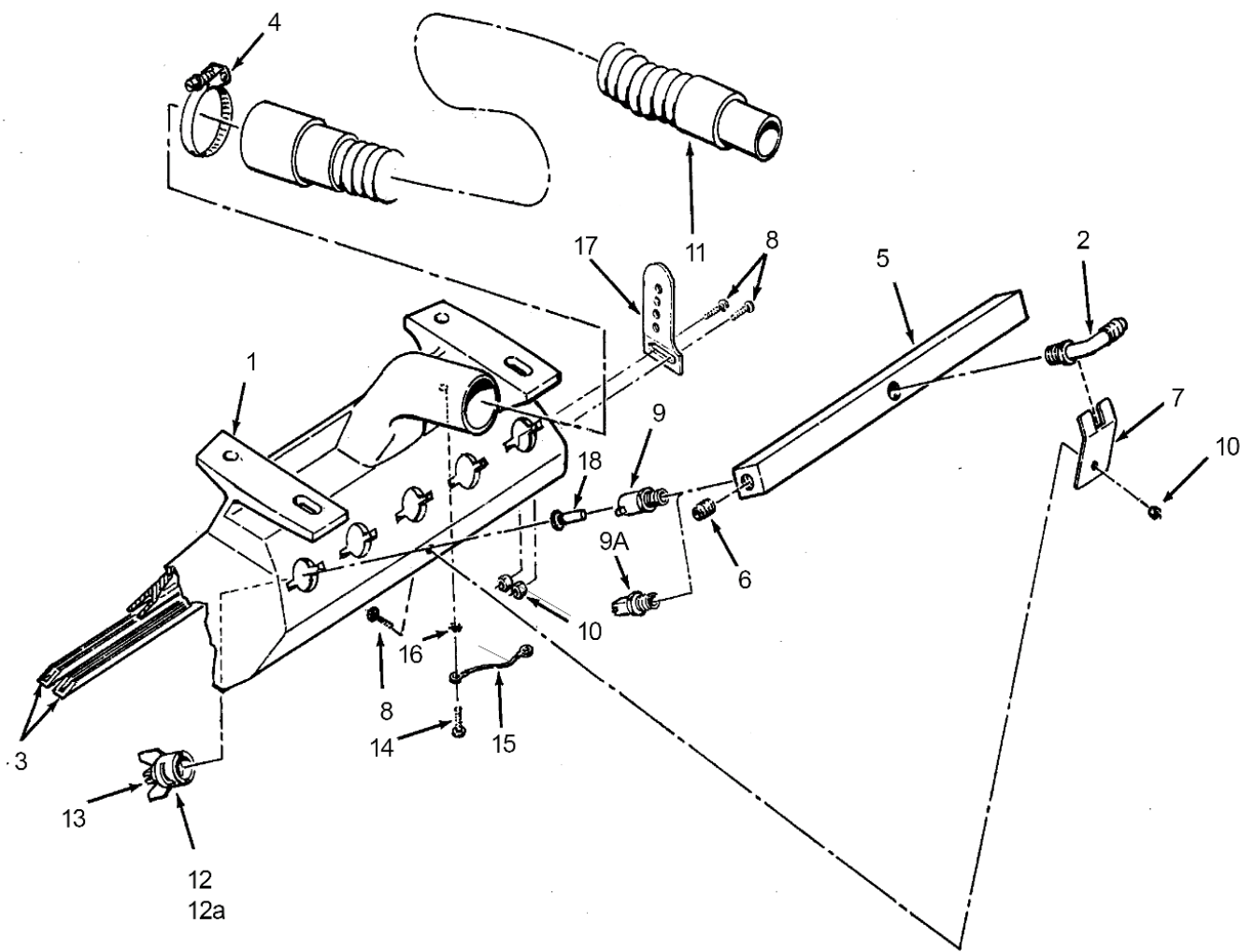
Recovery shoe IMAGE 20

IMAGE 16, IMAGE 20 230V

14-02-2015

Part List ID
IMAGE1626

29



Recovery shoe IMAGE 20

IMAGE 16, IMAGE 20 230V

14-02-2015

Part List ID
IMAGE1626

30

| Pos | Part no. | Qty | Description | |
|-----|----------|-----|--------------------------------|----|
| 1 | 28203B | 1 | TOOL RECOVERY PNTD IMG 20 | |
| 2 | 53607A | 1 | ELBOW-1/4 NPT X 3/8 HOSE | |
| 3 | 67613A | 2 | SHOERECOVERYTOOLSSIMAGE 20 | |
| 4 | 872010 | 1 | CLAMP HOSE | |
| 5 | 36506A | 1 | MANIFOLD REC. TOOL IMAGE 20 | |
| 6 | 696801 | 2 | PLUG-1/4 RECESSED PIPE | |
| 7 | 63063A | 1 | BRACKET MANIFOLD RETAINING I | |
| 8 | 962798 | 3 | SCR 10 24X 1/2 PN SS | |
| 9 | 54880A | 5 | HOUSINGSPRAY NOZZLE | IX |
| 10 | 81110A | 3 | NUT HEX ELASTIC LOCK 10-24 S.S | |
| 11 | 30426A | 1 | HOSE RECOVERY 2 CUFF X 1 1/ | |
| 12 | 54339A | 5 | CAP W/GASKET ASM EXT2100 | IX |
| 13 | 54157A | 5 | NOZZLE TEEJET 1 X 110 DEG BR | IX |
| 14 | 962333 | 1 | SCREW 10-32 X 1/4 PN ST PH | |
| 16 | 980603 | 1 | WASHER LK 10 EXT TOOTHPLTD | |
| 17 | 63061C | 1 | BRACKET BRUSH PIVOT IMAGE 20 | |
| 18 | 30076A | 5 | STRAINER SPRAY JET PLASTIC | IX |
| 9A | 54160A | 5 | NOZZLE 1/4MPT 110X 1 BRASS | I |
| 12A | 30042A | 5 | GASKETSPRAYVITON IMAGE 16 20 | IX |

Valve ass. IMAGE 16

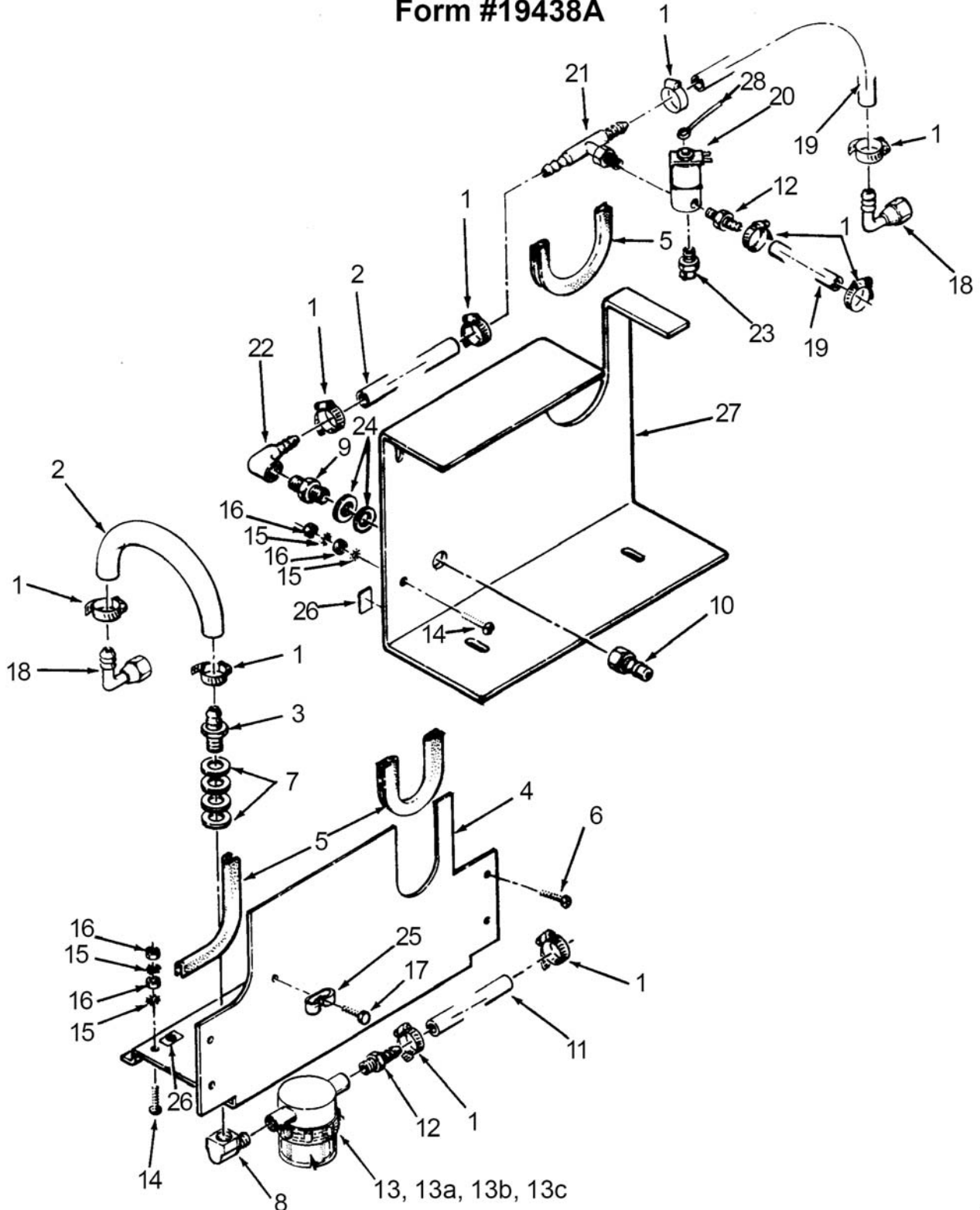
IMAGE 16, IMAGE 20 230V

14-02-2015

Part List ID
IMAGE1628

31

Drawing and Parts List, Valve Assembly 4/99 Form #19438A



Valve ass. IMAGE 16

IMAGE 16, IMAGE 20 230V

14-02-2015

Part List ID
IMAGE1628

32

| Pos | Part no. | Qty | Description |
|-----|----------|-----|--------------------------------|
| 1 | 722030 | 10 | CLAMP HOSE 6 |
| 2 | 30425A | 2 | HOSE AIR 3/8 I.D. X 5/8 O.D. |
| 3 | 170030 | 1 | HOSEBARB3/8H X 1/4MPT BRASS |
| 4 | 68665A | 1 | SUPPORTFILTERPNTD IMAGE 16 |
| 5 | 839204 | 2 | TRIM-FRAME |
| 6 | 85395A | 4 | SCREW 1/4 20 X 1/2 PAN HD SS |
| 7 | 980410 | 4 | WASHER STAINLESS STEEL |
| 8 | 170040 | 1 | ELBOW STREET 1/4 90 DEG BRASS |
| 9 | 697501 | 1 | REDUCER-1/4 NPT TO 1/8 NPT |
| 10 | 737140 | 1 | QUICK DISCONNECT 7809 915 1/8 |
| 11 | 35172B | 1 | HOSE DISCHARGE INTAKE |
| 12 | 53619A | 2 | ADAPTOR 3/8 BARB X 1/4 NPT NYL |
| 13 | 53050A | 1 | STRAINER BOWL100X100MESH LOW |
| 15 | 980603 | 4 | WASHER LK 10 EXT TOOTHPLTD |
| 16 | 920224 | 4 | NUT-10X32 HEX |
| 17 | 962987 | 1 | SCR 10 24X 3/8 PN ST TYP23 |
| 18 | 692870 | 2 | ELBOW-SWIVEL BARB 937A |
| 19 | 35147A | 2 | HOSESOL3/8X14EXT 771 SII |
| 20 | 59787B | 1 | VALVESOLUTION IMAGE 230V |
| 21 | 59016A | 1 | TEE BRANCH 1/4 X 3/8 NYLON |
| 22 | 53617A | 1 | ELBOW1/4 FPT X 3/8 HOSE BARB |
| 23 | 50328A | 1 | COUPLINGFEMALE Q.D. SHUTOFF |
| 24 | 170863 | 2 | WASHER FLT 3/8 USS PLTD |
| 25 | 302101 | 1 | CLIPSTEEL3/8-5/8GRIP RANGE |
| 26 | 77094A | 2 | LABEL GROUND SYMBOL |
| 27 | 68668A | 1 | PLATEREAR COVERPNTD IMAGE 16 |
| 28 | 49068A | 1 | WIRESOLENOID GROUND IMAGE 16 |
| 13A | 58061B | 1 | FILTER SCREEN |
| 13B | 54369A | 1 | GASKETVITON FOR 53050A |
| 13C | 50018A | 1 | BOWL CLEAR FILTER EXTRACTORS |

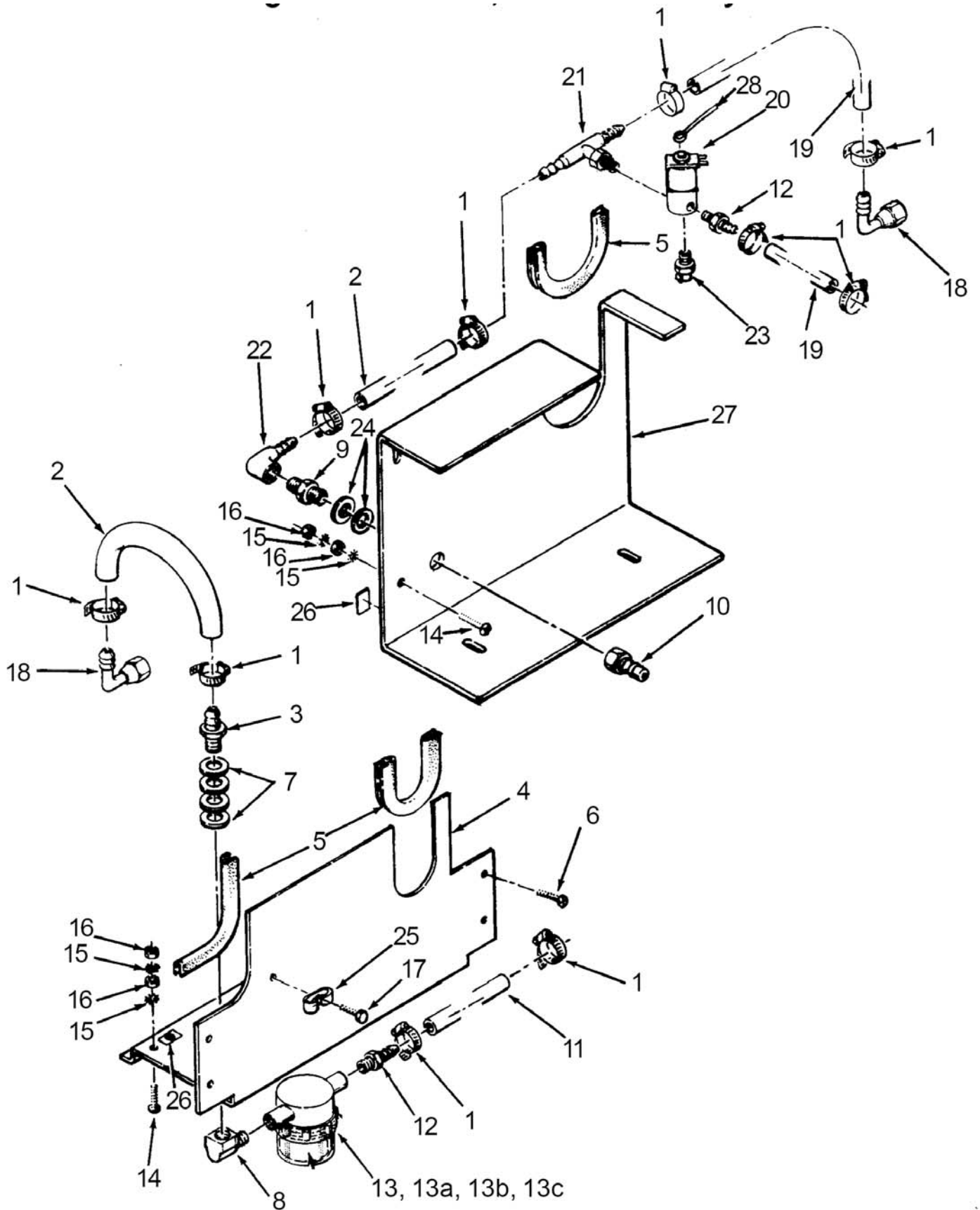
Valve ass. IMAGE20

IMAGE 16, IMAGE 20 230V

14-02-2015

Part List ID
IMAGE1630

33



Valve ass. IMAGE20

IMAGE 16, IMAGE 20 230V

14-02-2015

Part List ID
IMAGE1630

34

| Pos | Part no. | Qty | Description |
|-----|----------|-----|---|
| 1 | 722030 | 10 | CLAMP HOSE 6 |
| 2 | 30425A | 2 | HOSE AIR 3/8 I.D. X 5/8 O.D. |
| 3 | 170030 | 1 | HOSEBARB3/8H X 1/4MPT BRASS |
| 4 | 68665A | 1 | SUPPORTFILTERPNTD IMAGE 16 |
| 5 | 839204 | 3 | TRIM-FRAME |
| 6 | 85395A | 4 | SCREW 1/4 20 X 1/2 PAN HD SS |
| 7 | 980410 | 4 | WASHER STAINLESS STEEL |
| 8 | 170040 | 1 | ELBOW STREET 1/4 90 DEG BRASS |
| 9 | 697501 | 1 | REDUCER-1/4 NPT TO 1/8 NPT |
| 10 | 737140 | 1 | QUICK DISCONNECT 7809 915 1/8 |
| 11 | 35172B | 1 | HOSE DISCHARGE INTAKE |
| 12 | 53619A | 2 | ADAPTOR 3/8 BARB X 1/4 NPT NYL |
| 13 | 53050A | 1 | STRAINER BOWL100X100MESH LOW (INCLUDES 13A, B, C) |
| 14 | 85383A | 2 | SCREW 10-32 X 3/4 PAN HD |
| 15 | 980603 | 4 | WASHER LK 10 EXT TOOTHPLTD |
| 16 | 920224 | 4 | NUT-10X32 HEX |
| 17 | 962987 | 1 | SCR 10 24X 3/8 PN ST TYP23 |
| 18 | 692870 | 2 | ELBOW-SWIVEL BARB 937A |
| 19 | 35147A | 2 | HOSESOL3/8X14EXT 771 SII |
| 20 | 59787B | 1 | VALVESOLUTION IMAGE 230V |
| 21 | 59016A | 1 | TEE BRANCH 1/4 X 3/8 NYLON |
| 22 | 53617A | 1 | ELBOW1/4 FPT X 3/8 HOSE BARB |
| 23 | 50328A | 1 | COUPLINGFEMALE Q.D.SHUTOFF |
| 24 | 170863 | 2 | WASHER FLT 3/8 USS PLTD |
| 25 | 302101 | 1 | CLIPSTEEL3/8-5/8GRIP RANGE |
| 26 | 77094A | 2 | LABEL GROUND SYMBOL |
| 27 | 68668A | 1 | PLATEREAR COVERPNTD IMAGE 16 |
| 28 | 49068A | 1 | WIRESOLENOID GROUND IMAGE 16 |
| 13A | 58061B | 1 | FILTER SCREEN |
| 13B | 54369A | 1 | GASKETVITON FOR 53050A |
| 13C | 50018A | 1 | BOWL CLEAR FILTER EXTRACTORS |

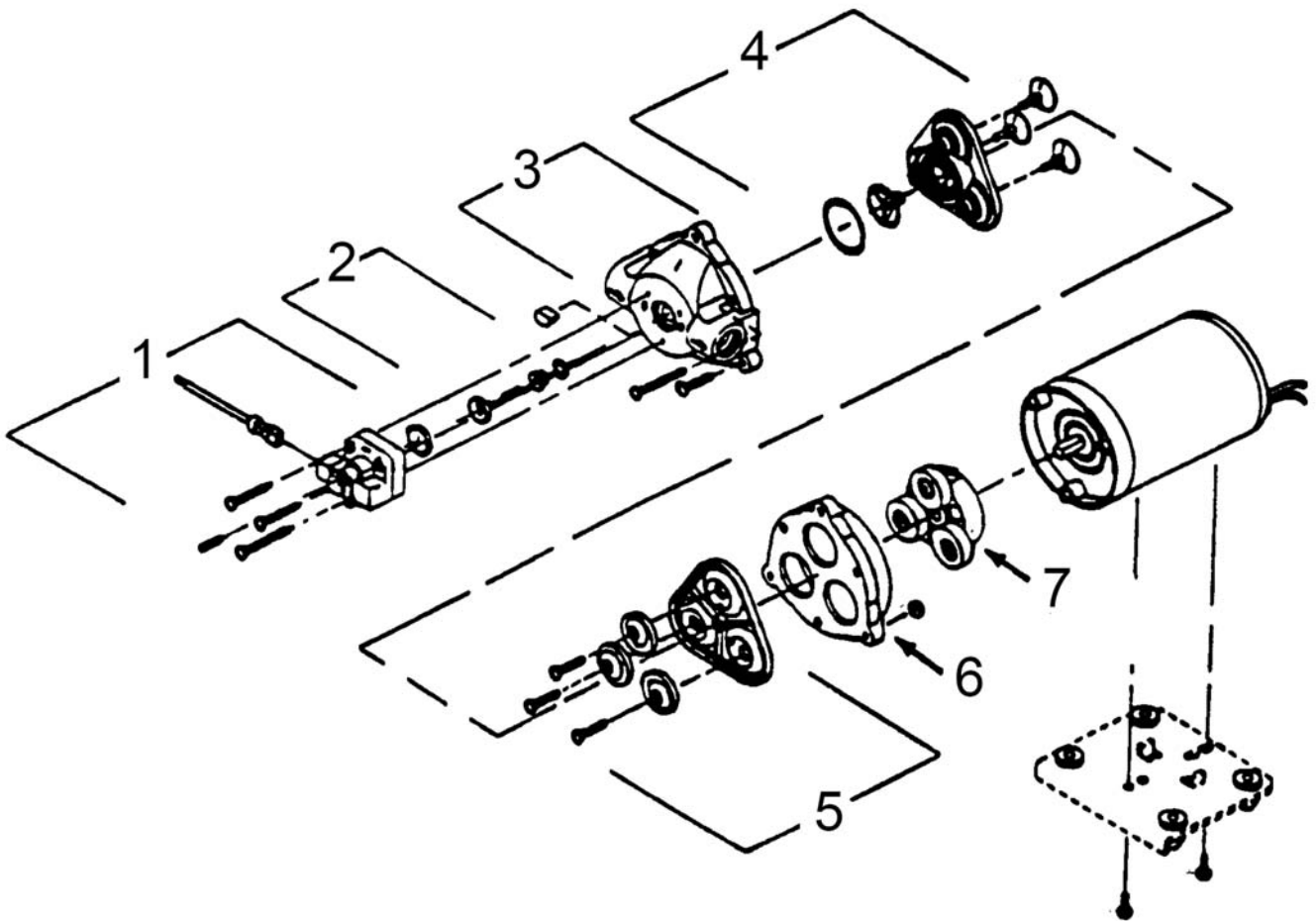
Pump IMAGE 16

IMAGE 16, IMAGE 20 230V

14-02-2015

Part List ID
IMAGE1632

35



Pump IMAGE 16

IMAGE 16, IMAGE 20 230V

14-02-2015

Part List ID
IMAGE1632

36

| Pos | Part no. | Qty | Description |
|-----|----------|-----|-------------------------------|
| 1 | 53056A | 1 | SWITCH KIT 80/100 PSI |
| 2 | 55374A | 1 | DUAL CHECK VALVE KIT |
| 3 | 54881A | 1 | HOUSING UPPER 8000 SERIES MAL |
| 4 | 59783A | 1 | VALVE KIT |
| 5 | 53205A | 1 | DIAPHRAGM KIT |
| 6 | 54882A | 1 | HOUSING LOWER PUMP 115V |
| 7 | 52909A | 1 | CAM DRIVE ASM. 2.5 DEGREE |

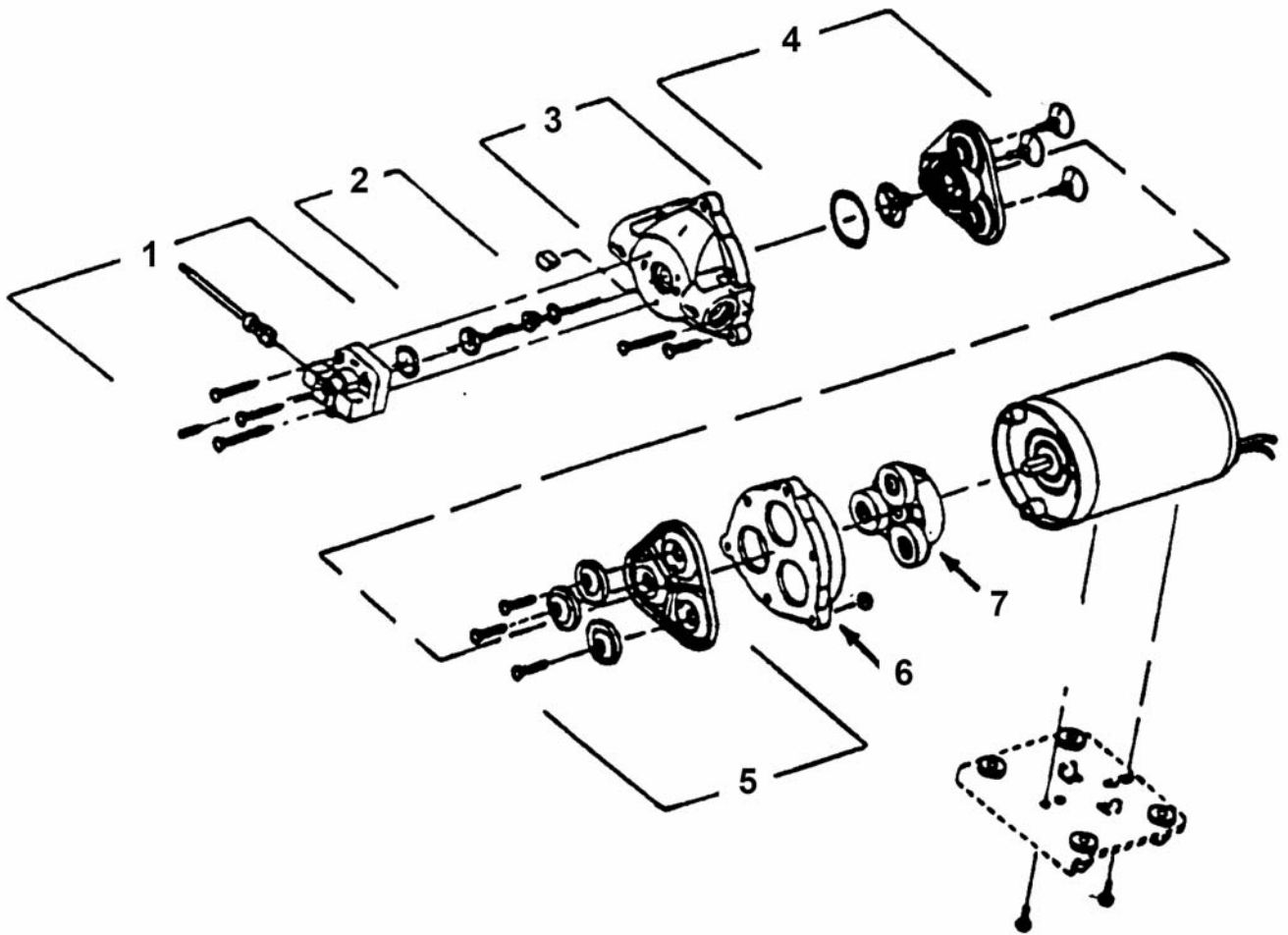
Pump IMAGE 20

IMAGE 16, IMAGE 20 230V

14-02-2015

Part List ID
IMAGE1634

37



Pump IMAGE 20

IMAGE 16, IMAGE 20 230V

14-02-2015

Part List ID
IMAGE1634

38

| Pos | Part no. | Qty | Description |
|-----|----------|-----|-------------------------------|
| 1 | 53056A | 1 | SWITCH KIT 80/100 PSI |
| 2 | 55374A | 1 | DUAL CHECK VALVE KIT |
| 3 | 54881A | 1 | HOUSING UPPER 8000 SERIES MAL |
| 4 | 59783A | 1 | VALVE KIT |
| 5 | 53205A | 1 | DIAPHRAGM KIT |
| 6 | 54882A | 1 | HOUSING LOWER PUMP 115V |
| 7 | 52909A | 1 | CAM DRIVE ASM. 2.5 DEGREE |

Motor IMAGE 16

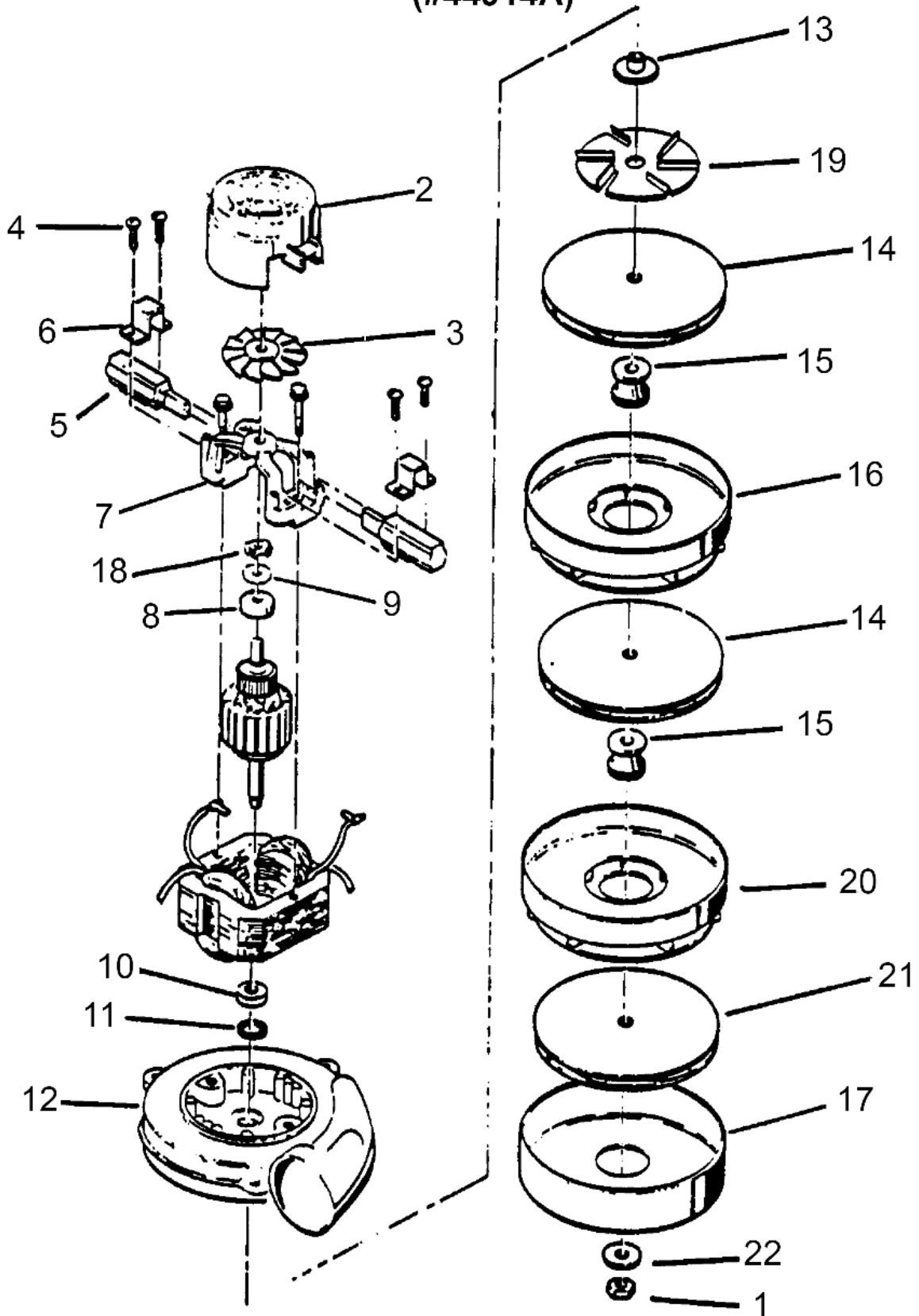
IMAGE 16, IMAGE 20 230V

14-02-2015

Part List ID
IMAGE1636

39

Motor Drawing and Parts List 7/95 (#44914A)



Motor IMAGE 16

IMAGE 16, IMAGE 20 230V

14-02-2015

Part List ID
IMAGE1636

40

| Pos | Part no. | Qty | Description | |
|-----|----------|-----|----------------------------|------------------|
| 1 | | 1 | NOTE COMMENT | NUT |
| 2 | | 1 | NOTE COMMENT | HOUSING VENT |
| 3 | | 1 | NOTE COMMENT | FAN |
| 4 | 85303A | 4 | SCREW 8-32 X 3/8 PN ST PH | |
| 5 | 40813A | 2 | BRUSHCARBON230V VAC MTR441 | |
| 6 | 51914A | 2 | CLAMP | |
| 7 | 50618A | 1 | BRACKET-END COMM. | |
| 8 | | 1 | NOTE COMMENT | BEARING |
| 10 | | 1 | NOTE COMMENT | BEARING |
| 11 | | 1 | NOTE COMMENT | WASHER |
| 12 | | 1 | NOTE COMMENT | BRACKET, FAN END |
| 13 | | 1 | NOTE COMMENT | SPACER |
| 15 | | 2 | NOTE COMMENT | SPACER |
| 16 | | 1 | NOTE COMMENT | FAN, STATIONARY |
| 17 | | 1 | NOTE COMMENT | SHELL, FAN |
| 20 | | 1 | NOTE COMMENT | FAN, STATIONARY |
| 21 | | 1 | NOTE COMMENT | FAN, ROTATING |
| 22 | | 1 | NOTE COMMENT | WASHER |

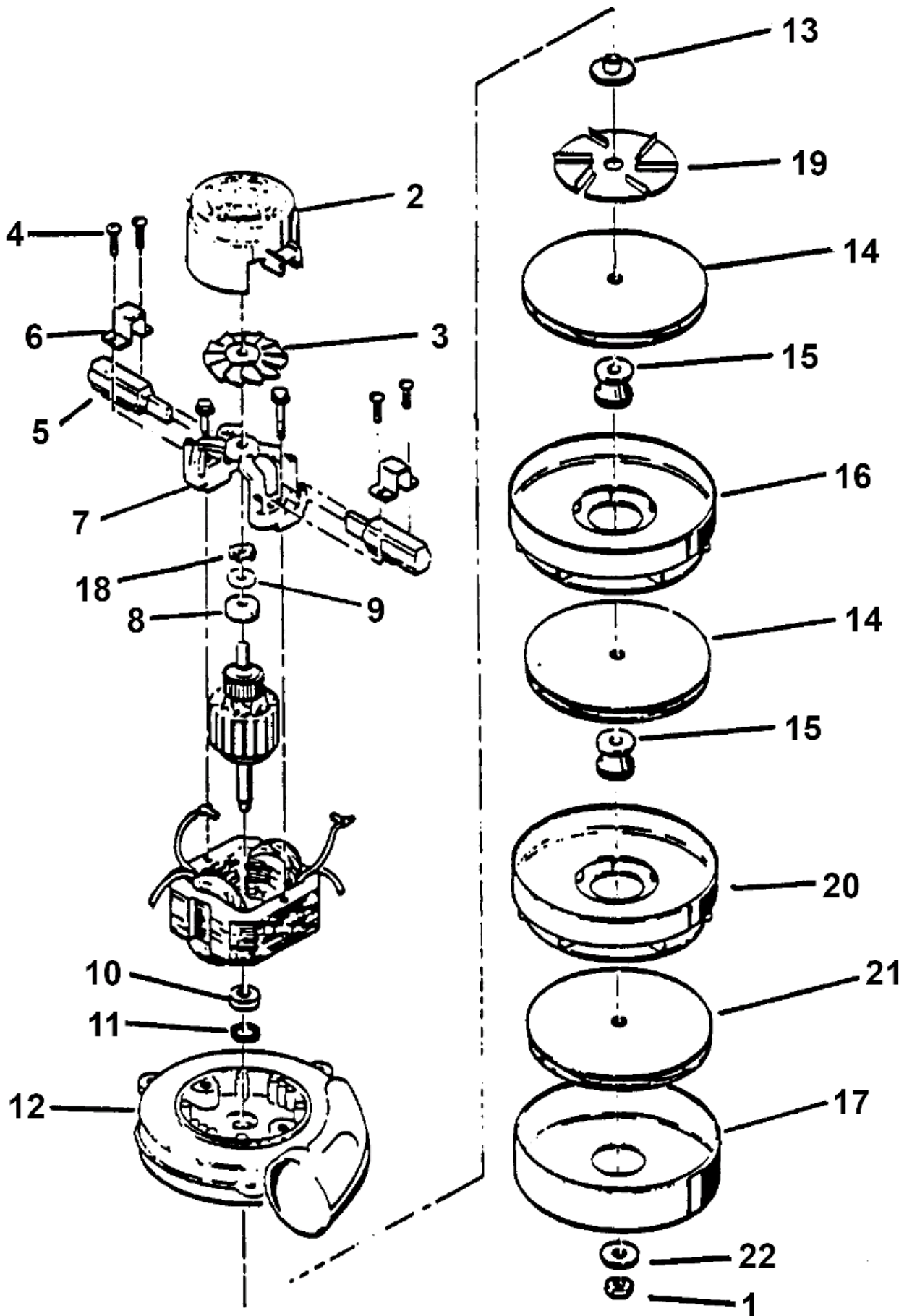
Motor IMAGE 20

IMAGE 16, IMAGE 20 230V

14-02-2015

Part List ID
IMAGE1638

41



Motor IMAGE 20

IMAGE 16, IMAGE 20 230V

14-02-2015

Part List ID
IMAGE1638

42

| Pos | Part no. | Qty | Description |
|-----|----------|-----|-------------------------------|
| 1 | | 1 | NOTE COMMENT NUT |
| 2 | | 1 | NOTE COMMENT HOUSING VENT FAN |
| 3 | | 1 | NOTE COMMENT |
| 4 | 85303A | 4 | SCREW 8-32 X 3/8 PN ST PH |
| 5 | 40813A | 2 | BRUSHCARBON230V VAC MTR441 |
| 6 | 51914A | 2 | CLAMP |
| 7 | 50618A | 1 | BRACKET-END COMM. |
| 8 | | 1 | NOTE COMMENT BEARING |
| 10 | | 1 | NOTE COMMENT BEARING |
| 11 | | 1 | NOTE COMMENT WASHER |
| 12 | | 1 | NOTE COMMENT BRACKET, FAN END |
| 13 | | 1 | NOTE COMMENT SPACER |
| 14 | | 2 | NOTE COMMENT FAN, ROTATING |
| 15 | | 2 | NOTE COMMENT SPACER |
| 16 | | 1 | NOTE COMMENT FAN, STATIONARY |
| 17 | | 1 | NOTE COMMENT SHELL, FAN |
| 20 | | 1 | NOTE COMMENT FAN, STATIONARY |
| 21 | | 1 | NOTE COMMENT FAN, ROTATING |
| 22 | | 1 | NOTE COMMENT WASHER |